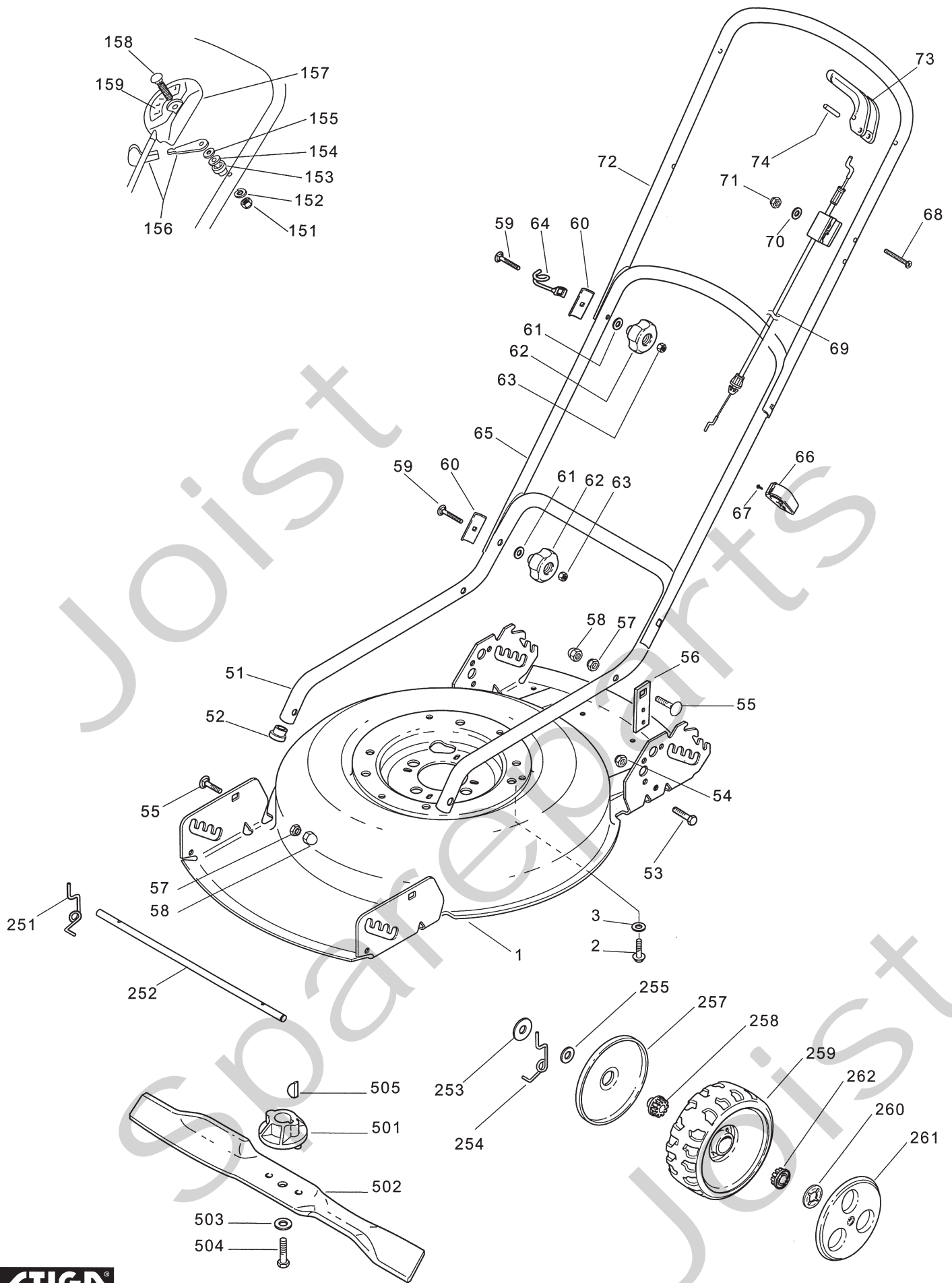


Genuine Spare Parts



Joist
Spareparts
Joist



| Utgåva Issue 2005-12 | | Bildnr Picture No 1879 | | MULTICLIP 46 MOUNTFIELD 46M STARCLIPPER 46 | | MULTICLIP 46 MOUNTFIELD 46M STARCLIPPER 46 | | Sida Page 12 |
|----------------------------|--------------------|------------------------------|-------------|--|--------------------------|--|-------------|-----------------------|
| Pos. Fig. | Antal/Quantity | | | Art nr Part No | Benämning | Description | Sats Kit | Anmärkning Notes |
| | 3281 -09 -29 | 3234 -79 | 3281 -59 | | | | | |
| 1 | 1 | | | 1111-3338-01 | Kåpa-gul | Chassis- yellow | | |
| 1 | | 1 | 1 | 1111-3338-02 | Kåpa-röd | Chassis- red | | |
| 2 | 3 | 3 | 3 | 9955-3732-12 | Skruv | Screw | | |
| 3 | 3 | 3 | 3 | 9699-0029-02 | Planbricka | Flat washer | | |
| 51 | 1 | 1 | 1 | 1111-3264-01 | Styre- underdel | Handlebar- lower part | | |
| 52 | 2 | 2 | 2 | 9403-0043-70 | Plugg | Plug | | |
| 53 | 4 | 4 | 4 | 9997-0612-16 | Skruv | Screw | | |
| 54 | 4 | 4 | 4 | 9747-0631-02 | Låsmutter | Lock nut | | |
| 55 | 4 | 4 | 4 | 9898-0835-12 | Skruv | Screw | | |
| 56 | 2 | 2 | 2 | 1111-3310-01 | Fäste | Bracket | | |
| 57 | 4 | 4 | 4 | 9747-0831-02 | Mutter | Lock nut | | |
| 58 | 4 | 4 | 4 | 9403-0113-00 | Mutterhatt | Nut cap | | |
| 59 | 4 | 4 | 4 | 9899-3557-12 | Skruv | Screw | | |
| 60 | 4 | 4 | 4 | 1111-0178-00 | Förstärkning | Reinforcement | | |
| 61 | 4 | 4 | 4 | 9699-0028-02 | Planbricka | Flat washer | | |
| 62 | 4 | 4 | 4 | 1111-3023-01 | Lås ratt | Locking knob | | |
| 63 | 4 | 4 | 4 | 9795-3531-02 | Mutter | Nut | | |
| 64 | 1 | 1 | 1 | 1111-3062-01 | Ögla | Eyelink | | |
| 65 | 1 | 1 | 1 | 1111-2961-01 | Styre- mellandel | Handlebar- interm. part | | |
| 66 | 1 | 1 | 1 | 1111-2018-01 | Kabelhållare | Cable holder | | |
| 67 | 1 | 1 | 1 | 9836-9216-12 | Skruv | Screw | | |
| 68 | 1 | 1 | 1 | 9948-0640-16 | Skruv | Screw | | |
| 69 | 1 | 1 | 1 | 1111-3250-03 | Motorbromswire | Engine brake cable | | |
| X 70 | 1 | 1 | 1 | 1136-1860-01 | Motorbromswire | Engine brake cable | | |
| 71 | 1 | 1 | 1 | 9699-0025-02 | Planbricka | Washer | | |
| 72 | 1 | 1 | 1 | 9799-0631-02 | Mutter | Nut | | |
| 73 | 1 | 1 | 1 | 1111-3502-01 | Styre- överdel | Handlebar- upper part | | |
| 74 | 1 | 1 | 1 | 1117-3221-01 | Manöverbygel | OPC lever | | |
| 151 | 1 | 1 | 1 | 9595-0258-00 | Spännstift | Locating pin | | |
| 152 | 1 | 1 | 1 | 1136-0604-01 | Mutter | Nut | | |
| 153 | 1 | 1 | 1 | 1136-0611-01 | Låsbricka | Grower | | |
| 154 | 1 | 1 | 1 | 1136-0659-01 | Distans | Spacer | | |
| 155 | 1 | 1 | 1 | 9699-0035-02 | Planbricka | Flat washer | | |
| 156 | 1 | 1 | 1 | 1136-0606-01 | Fjäderbricka | Spring washer | | |
| 157 | 1 | 1 | 1 | 1136-0766-01 | Gasreglagearm | Throttle lever | | |
| 158 | 1 | 1 | 1 | 1136-0764-01 | Gaswire | Throttle cable | | |
| X 159 | 1 | 1 | 1 | 1136-0618-01 | Skruv | Screw | | |
| 251 | 1 | 1 | 1 | 1136-1857-01 | Dekal | Label | | |
| 251 | 2 | 2 | 2 | 1111-9035-01 | Höjdställning sats | Height adjust kit | | Inkl. pos 251,254,260 |
| 252 | 2 | 2 | 2 | 1111-1589-02 | • Fjäder- hö | • Height adj.spring- RH | | |
| 253 | 4 | 4 | 4 | 1111-3312-01 | Hjulaxel | Wheel axle | | |
| 254 | 2 | 2 | 2 | 1111-1593-01 | Bricka | Washer | | |
| 255 | 4 | 4 | 4 | 1111-1589-01 | • Fjäder- vä | • Height adj.spring- LH | | |
| 257 | 4 | 4 | 4 | 9699-0037-02 | Bricka | Washer | | |
| 258 | 4 | 4 | 4 | 1117-1161-01 | Hjulsköld | Wheel protection | | |
| 259 | 4 | 4 | 4 | 1117-3012-01 | Hjullbusning | Wheel bush | | |
| 260 | 4 | 4 | 4 | 1111-3163-01 | Hjul | Wheel | | |
| 261 | 4 | 4 | 4 | 9675-0017-02 | • Starlock | • Lock washer | | |
| 261 | 4 | 4 | 4 | 1111-2804-03 | Navkapsel- vit | Hub cap- white | | |
| 261 | 4 | 4 | 4 | 1111-3084-01 | Navkapsel- gul | Hub cap- yellow | | |
| 261 | 4 | 4 | 4 | 1111-3084-09 | Navkapsel- röd | Hub cap- red | | |
| 262 | 4 | 4 | 4 | 1111-3165-01 | Bussning | Bushing | | |
| 501 | 1 | 1 | 1 | 1111-9066-01 | Knivfäste | Blade holder | | |
| 502 | 1 | 1 | 1 | 1111-9078-01 | Kniv | Blade | | |
| 503 | 1 | 1 | 1 | 9696-0011-01 | Bricka | Washer | | |
| 504 | 1 | 1 | 1 | 9987-5238-12 | Knivbult | Blade bolt | | |
| 505 | 1 | 1 | 1 | 9600-0014-00 | Kil | Key | | |