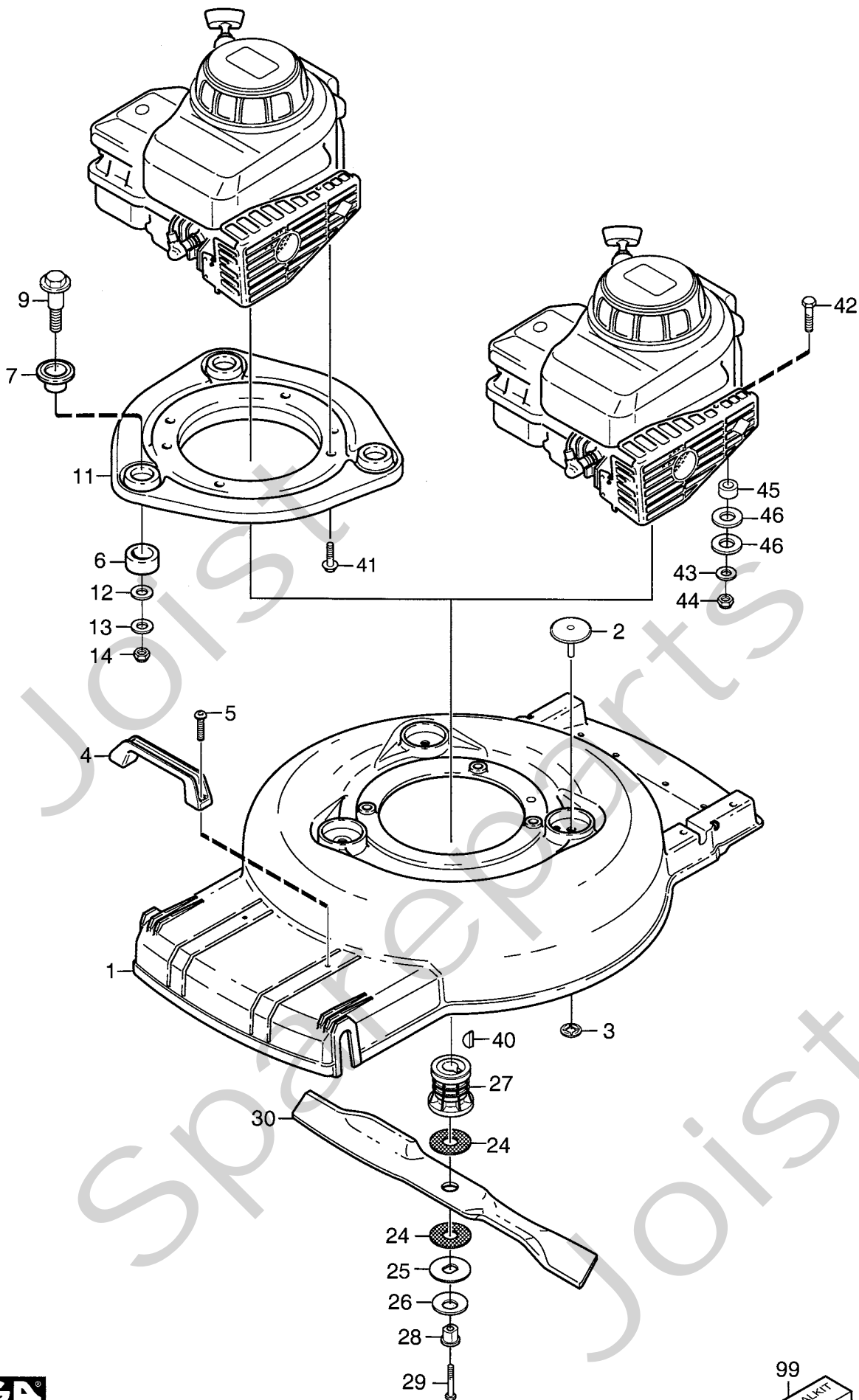


# Genuine Spare Parts

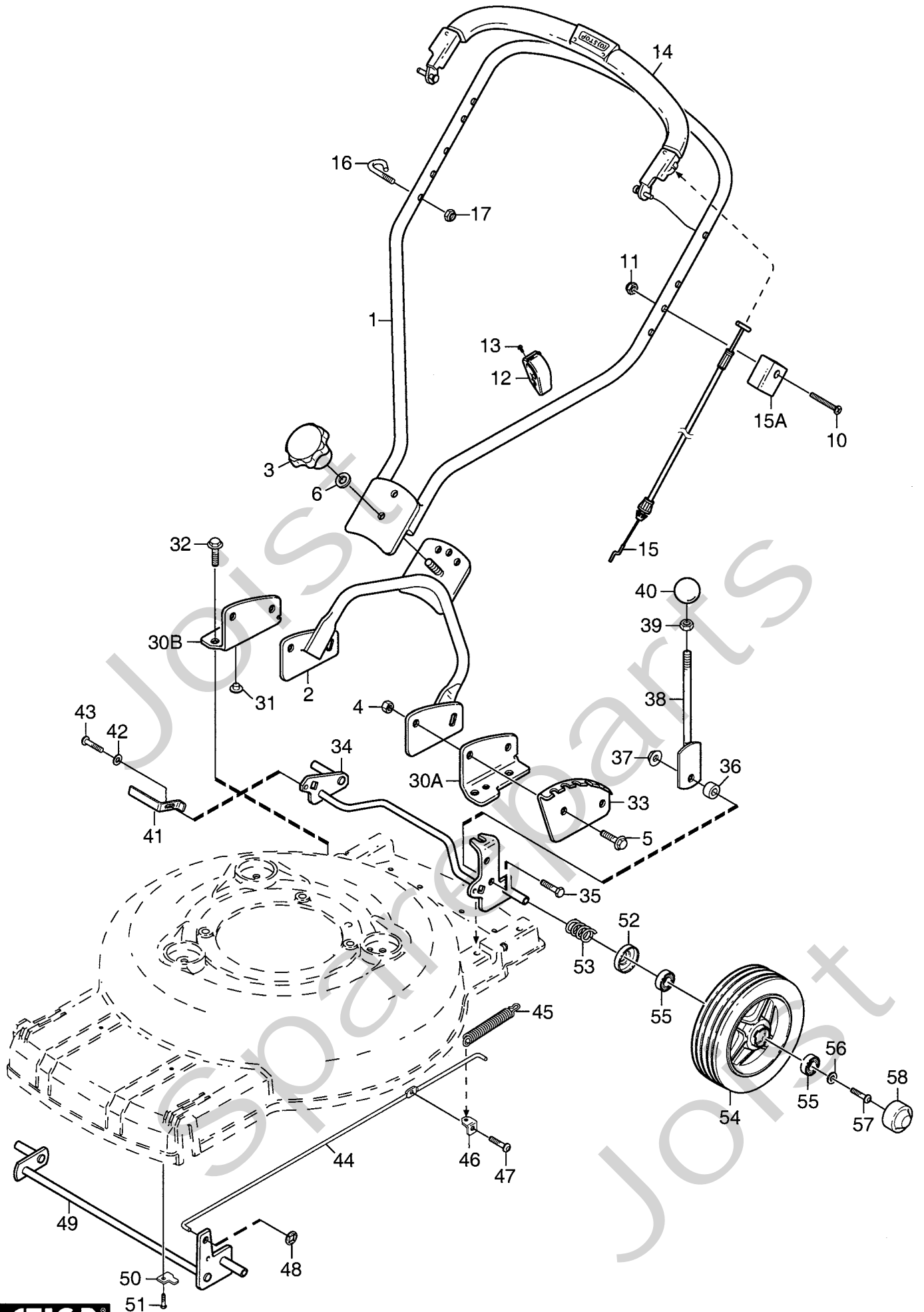
---



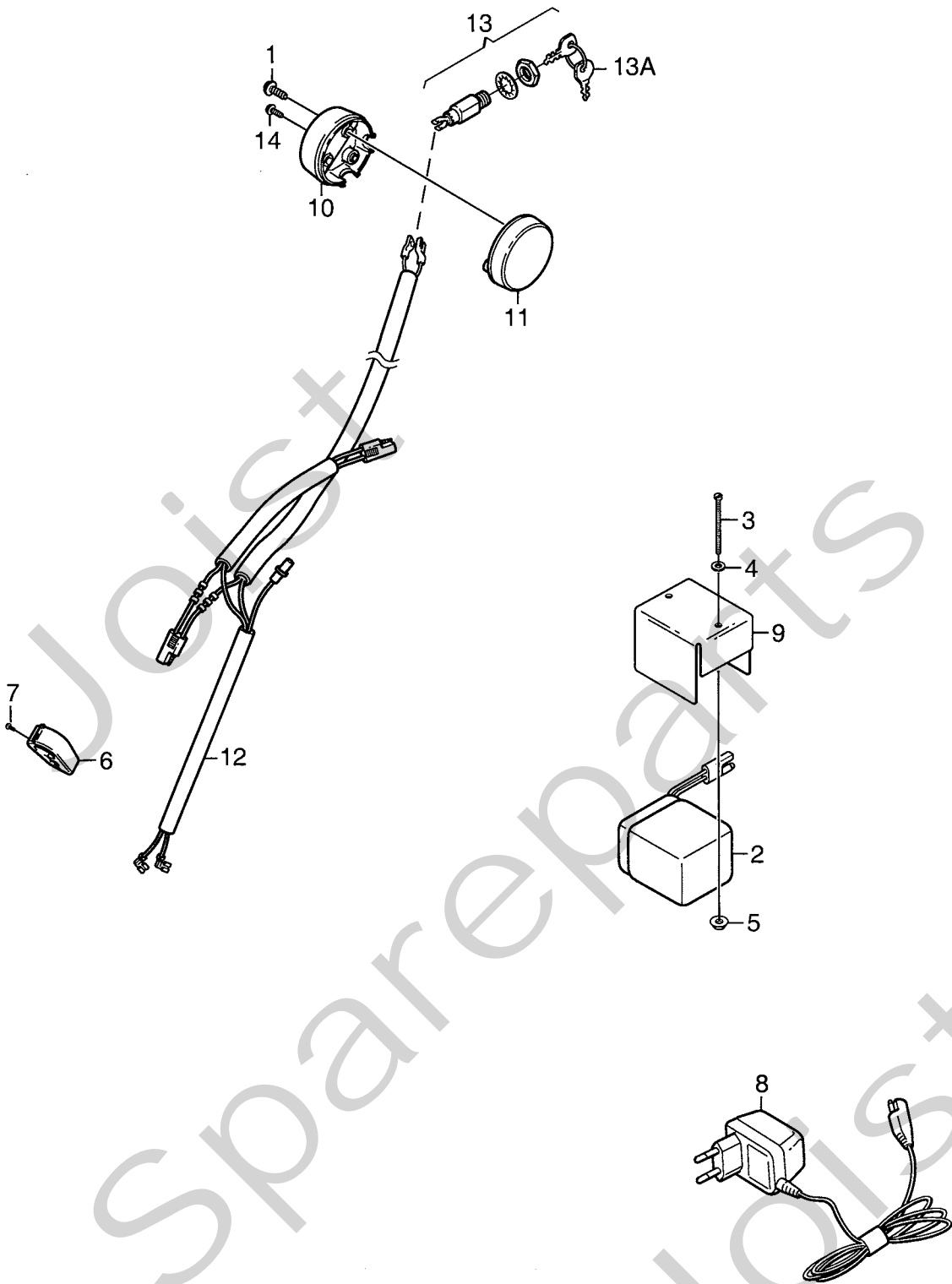
Joist  
Spareparts  
Joist



| Utgåva<br>Issue |                | Bildnr<br>Picture No |                    | MULTICLIP 48- 48E<br>MULTICLIP PRO 48<br>CHASSI<br>KNIV |                          | MULTICLIP 48- 48E<br>MULTICLIP PRO 48<br>CHASSIS<br>BLADE |             | Sida<br>Page        |
|-----------------|----------------|----------------------|--------------------|---|--------------------------|---|-------------|---------------------|
| 2004- 12        |                | 1596A                |                    |   |                          |   |             | 36                  |
| Pos.<br>Fig.    | Antal/Quantity |                      |                    | Art nr<br>Part No                                       | Benämning                | Description   | Sats<br>Kit | Anmärkning<br>Notes |
|                 | 8198<br>-10    | 8186<br>-00          | 8396<br>-30<br>-50 |   |                          |   |             |                     |
|                 |                |                      |                    |   |                          |   |             |                     |
| X               | 1              |                      | 1                  | 1111-2456-03  | Chassi-grå.....          | Chassis- grey .....                                       |             |                     |
| X               | 1              | 1                    |                    | 1111-2456-04  | Chassi-gul.....          | Chassis- yellow .....                                     |             |                     |
|                 | 1              |                      |                    | 1111-3630-01  | Chassi-gul.....          | Chassis- yellow .....                                     |             |                     |
|                 | 2              | 2                    |                    | 1111-3095-01  | Täckbricka .....         | Cap.....  |             |                     |
|                 | 3              | 2                    |                    | 9675-0012-02  | Starlock .....           | Locking washer.....                                       |             |                     |
|                 | 4              |                      | 1                  | 9403-0037-69  | Lyfthandtag-gul.....     | Lifting handle-yellow .....                               |             |                     |
|                 | 4              | 1                    | 1                  | 9403-0037-70  | Lyfthandtag-svart.....   | Lifting handle- black .....                               |             |                     |
|                 | 5              | 2                    | 2                  | 9943-0516-16  | Skruv .....              | Screw .....   |             |                     |
|                 | 6              |                      | 3                  | 1111-2452-01  | Dämpement.....           | Rubber damper.....  |             |                     |
|                 | 7              |                      | 3                  | 1111-2453-01  | Isolering .....          | Grommet.....  |             |                     |
|                 | 9              |                      | 3                  | 1111-2454-01  | Ansatsbult .....         | Shoulder bolt .....                                       |             |                     |
|                 | 11             |                      | 1                  | 1111-3323-03  | Motorinfästning-gul..... | Engine mounting- yello .....                              |             |                     |
|                 | 12             |                      | 3                  | 9699-0062-02  | Planbricka.....          | Flat washer.....  |             |                     |
|                 | 13             |                      | 3                  | 9699-0056-02  | Planbricka.....          | Flat washer.....  |             |                     |
|                 | 14             |                      | 3                  | 9747-0831-02  | Mutter.....              | Lock nut.....   |             |                     |
|                 | 24             | 2                    | 2                  | 1111-3480-01  | Friktionsbricka .....    | Friction washer .....                                     |             |                     |
|                 | 25             | 1                    | 1                  | 1111-3481-01  | Bricka .....             | Washer.....   |             |                     |
|                 | 26             | 1                    | 1                  | 1111-3482-01  | Tallriksfjäder .....     | Disc washer .....   |             |                     |
| X               | 27             | 1                    | 1                  | 1111-9127-01  | Knivfäste.....           | Blade holder.....   |             |                     |
|                 | 28             | 1                    | 1                  | 1111-3483-01  | Bussning .....           | Bushing.....  |             |                     |
|                 | 29             | 1                    | 1                  | 9987-5264-12  | Skruv .....              | Screw .....   |             |                     |
| X               | 30             | 1                    | 1                  | 1111-9131-01  | Kniv .....               | Blade.....  |             |                     |
|                 | 40             | 1                    | 1                  | 9600-0014-00  | Kil .....                | Key.....  |             |                     |
|                 | 41             |                      | 3                  | 9955-3732-12  | Skruv .....              | Screw .....   |             |                     |
|                 | 42             | 1                    | 1                  | 9997-0855-12  | Skruv .....              | Screw .....   |             | L = 55 mm           |
|                 | 42             | 2                    | 2                  | 9997-0860-16  | Skruv .....              | Screw .....   |             | L = 60 mm           |
|                 | 43             | 3                    | 3                  | 9699-0028-02  | Planbricka.....          | Flat washer.....  |             | 8,4x16x1,5          |
|                 | 44             | 3                    | 3                  | 9747-0831-02  | Mutter.....              | Lock nut.....   |             |                     |
|                 | 45             | 3                    | 3                  | 1111-1519-02  | Distans .....            | Spacer.....   |             |                     |
|                 | 46             | 6                    | 6                  | 9699-0056-02  | Planbricka.....          | Flat washer.....  |             | 8,4x24x2,0          |
|                 | 99             | 1                    | 1                  | 1111-3595-05  | Dekalsats .....          | Label kit .....   |             |                     |
|                 | 99             |                      | 1                  | 1111-3595-06  | Dekalsats .....          | Label kit .....   |             |                     |

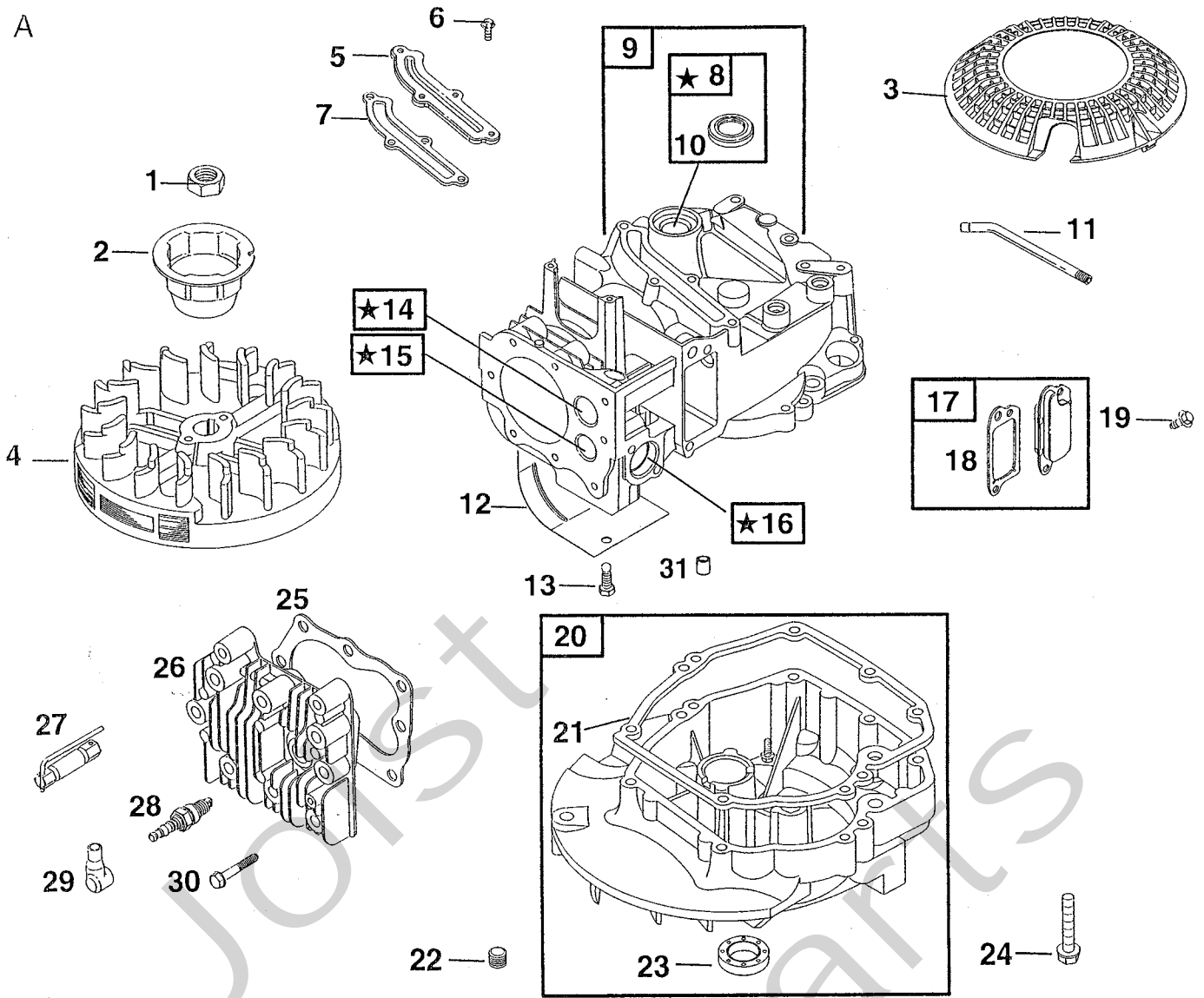


| Utgåva<br>Issue |                | Bildnr<br>Picture No |  | MULTICLIP 48- 48E<br>STYRE<br>HJULUPPHÄNGNING |                          | MULTICLIP 48- 48E<br>HANDLE<br>WHEEL SUSPENSION |             | Sida<br>Page        |  |
|-----------------|----------------|----------------------|--|---|--------------------------|---|-------------|---------------------|--|
| 2004- 12        |                | 1598A                |  |   |                          |   |             | 38                  |  |
| Pos.<br>Fig.    | Antal/Quantity |                      |  | Art nr<br>Part No                             | Benämning                | Description                                     | Sats<br>Kit | Anmärkning<br>Notes |  |
|                 | 8186<br>-00    | 8198<br>-10          |  |   |                          |   |             |                     |  |
| 1               | 1              | 1                    |  | 1111-2974-01                                  | Styre- överdel .....     | Handlebar- upper part .....                     |             |                     |  |
| 2               | 1              | 1                    |  | 1111-2134-01                                  | Styre- underdel .....    | Handlebar- lower part .....                     |             |                     |  |
| 3               | 1              | 1                    |  | 1482-0163-01                                  | Lås ratt .....           | Locking knob .....                              |             |                     |  |
| 4               | 4              | 4                    |  | 9799-0831-02                                  | Mutter .....             | Nut .....                                       |             |                     |  |
| 5               | 4              | 4                    |  | 9959-0816-16                                  | Skruv .....              | Screw .....                                     |             |                     |  |
| 6               | 1              | 1                    |  | 9699-0035-02                                  | Planbricka .....         | Flat washer .....                               |             |                     |  |
| 10              | 1              | 1                    |  | 9948-0640-16                                  | Skruv .....              | Screw .....                                     |             |                     |  |
| 11              | 1              | 1                    |  | 9747-0631-02                                  | Låsmutter .....          | Lock nut .....                                  |             |                     |  |
| 12              | 1              | 1                    |  | 1111-2018-01                                  | Kabelhållare .....       | Cable holder .....                              |             |                     |  |
| 13              | 1              | 1                    |  | 9836-9216-12                                  | Skruv .....              | Screw .....                                     |             |                     |  |
| 14              | 1              | 1                    |  | 1111-2953-01                                  | Manöverbygel .....       | Control handle .....                            |             |                     |  |
| 15              | 1              | 1                    |  | 1111-2968-01                                  | Motorbromswire .....     | Engine brake cable .....                        |             |                     |  |
| 15A             | 1              | 1                    |  | 1111-2969-01                                  | Wirefäste .....          | Cable attachment .....                          |             |                     |  |
| 16              | 1              | 1                    |  | 1111-3063-01                                  | Ögla .....               | Eye link .....                                  |             |                     |  |
| 17              | 1              | 1                    |  | 9747-0631-02                                  | Låsmutter .....          | Lock nut .....                                  |             |                     |  |
| 30A             | 1              | 1                    |  | 1111-1483-01                                  | Styrinfästning- vä ..... | Handle attachm.- LH .....                       |             |                     |  |
| 30B             | 1              | 1                    |  | 1111-1484-01                                  | Styrinfästning- hö ..... | Handle attachm.- RH .....                       |             |                     |  |
| 31              | 2              | 2                    |  | 1111-1485-01                                  | Plugg .....              | Plug .....                                      |             |                     |  |
| 32              | 4              | 4                    |  | 9942-0820-16                                  | Skruv .....              | Screw .....                                     |             |                     |  |
| 33              | 1              | 1                    |  | 1111-3486-01                                  | Ställplatta .....        | Adjusting plate .....                           |             |                     |  |
| 34              | 1              | 1                    |  | 1111-3266-01                                  | Bakaxel .....            | Rear axle .....                                 |             |                     |  |
| 35              | 1              | 1                    |  | 9997-0830-16                                  | Skruv .....              | Screw .....                                     |             |                     |  |
| 36              | 1              | 1                    |  | 1111-1519-02                                  | Distans .....            | Spacer .....                                    |             |                     |  |
| 37              | 1              | 1                    |  | 9739-0831-22                                  | Mutter .....             | Nut .....                                       |             |                     |  |
| 38              | 1              | 1                    |  | 1111-1839-01                                  | Höjdställningsspak ..... | Lever .....                                     |             |                     |  |
| 39              | 1              | 1                    |  | 9799-0831-02                                  | Mutter .....             | Nut .....                                       |             |                     |  |
| 40              | 1              | 1                    |  | 9403-0036-70                                  | Kula .....               | Lever knob .....                                |             |                     |  |
| 41              | 2              | 2                    |  | 1111-2653-01                                  | Hjulrensare .....        | Wheel cleaner .....                             |             |                     |  |
| 42              | 2              | 2                    |  | 9699-0025-02                                  | Planbricka .....         | Washer .....                                    |             |                     |  |
| 43              | 2              | 2                    |  | 9943-0610-16                                  | Skruv .....              | Screw .....                                     |             |                     |  |
| 44              | 1              | 1                    |  | 1111-1829-01                                  | Dragstång .....          | Rod .....                                       |             |                     |  |
| 45              | 1              | 1                    |  | 1111-1842-01                                  | Fjäder .....             | Spring .....                                    |             |                     |  |
| 46              | 1              | 1                    |  | 1111-1844-01                                  | Fäste .....              | Holder .....                                    |             |                     |  |
| 47              | 1              | 1                    |  | 9943-0510-16                                  | Skruv .....              | Screw .....                                     |             |                     |  |
| 48              | 2              | 2                    |  | 9675-0012-02                                  | Starlock .....           | Locking washer .....                            |             |                     |  |
| 49              | 1              | 1                    |  | 1111-3082-01                                  | Framaxel .....           | Front axle .....                                |             |                     |  |
| 50              | 2              | 2                    |  | 1111-1504-01                                  | Överfall .....           | Retainer .....                                  |             |                     |  |
| 51              | 2              | 2                    |  | 9943-0612-16                                  | Skruv .....              | Screw .....                                     |             |                     |  |
| 52              | 4              | 4                    |  | 1111-0466-00                                  | Kullagertätning .....    | Seal grease .....                               |             |                     |  |
| 53              | 4              | 4                    |  | 1111-3060-01                                  | Fjäder .....             | Spring .....                                    |             |                     |  |
| 54              | 4              | 4                    |  | 1111-0817-04                                  | Hjul utan lager .....    | Wheel w/o bearing .....                         |             |                     |  |
| 55              | 8              | 8                    |  | 9549-0015-00                                  | Kullager .....           | Ball bearing .....                              |             |                     |  |
| 56              | 4              | 4                    |  | 9699-0100-02                                  | Bricka .....             | Washer .....                                    |             |                     |  |
| 57              | 4              | 4                    |  | 9943-0612-16                                  | Skruv .....              | Screw .....                                     |             |                     |  |
| 58              | 4              | 4                    |  | 1111-1506-01                                  | Navkapsel .....          | Hub cap .....                                   |             |                     |  |

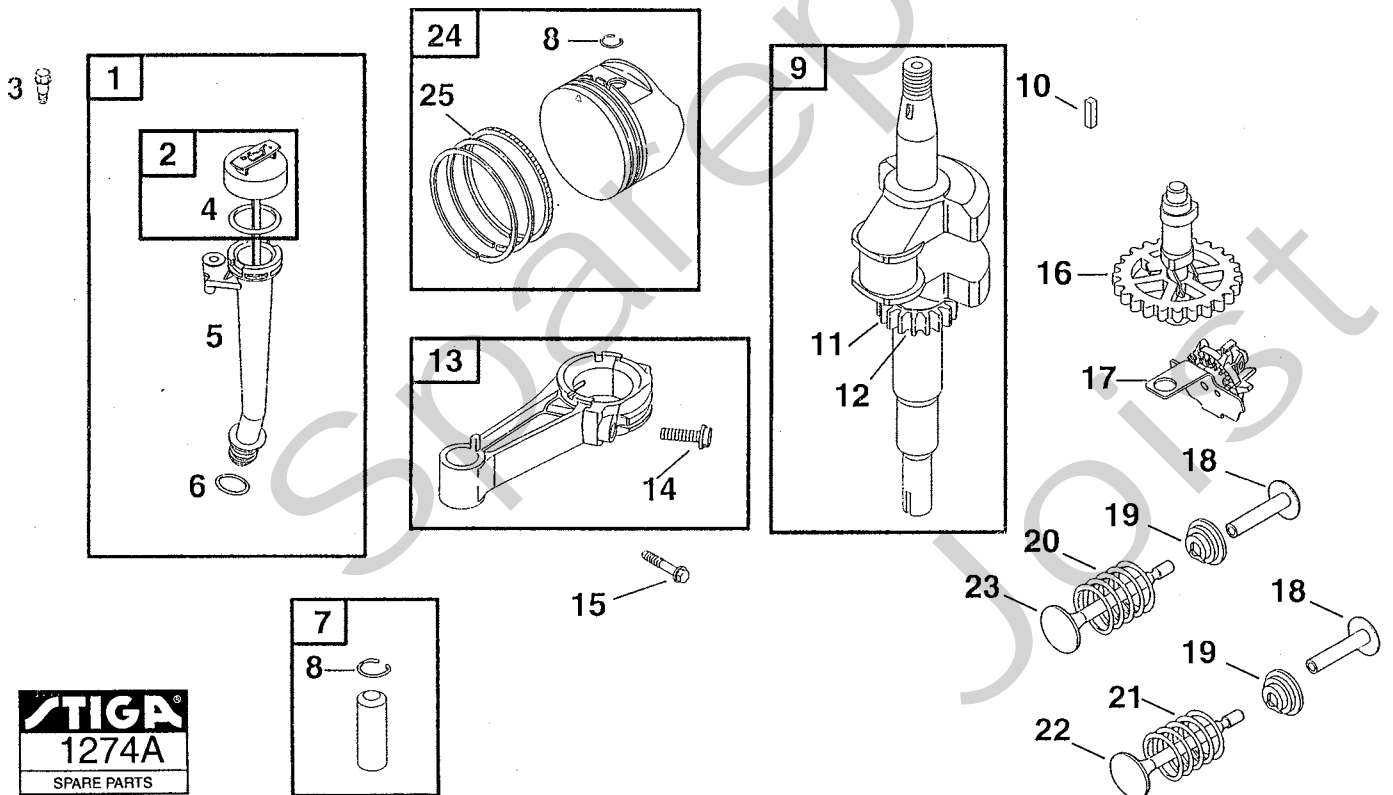


| Utgåva<br>Issue |                | Bildnr<br>Picture No |  | MULTICLIP 48E<br>ELSTART |                         | MULTICLIP 48E<br>ELECTRIC STARTER |             | Sida<br>Page        |  |
|-----------------|----------------|----------------------|--|--------------------------|-------------------------|-----------------------------------|-------------|---------------------|--|
| 2004-12         |                | 1557                 |  |                          |                         |                                   |             | 42                  |  |
| Pos.<br>Fig.    | Antal/Quantity |                      |  | Art nr<br>Part No        | Benämning               | Description                       | Sats<br>Kit | Anmärkning<br>Notes |  |
|                 | 8198<br>-10    |                      |  |                          |                         |                                   |             |                     |  |
| 1               | 2              |                      |  | 9838-9540-12             | Skruv .....             | Screw .....                       |             |                     |  |
| 2               | 1              |                      |  | 1111-3558-01             | Batteri .....           | Battery .....                     |             |                     |  |
| 3               | 2              |                      |  | 9997-0690-12             | Skruv .....             | Screw .....                       |             |                     |  |
| 4               | 2              |                      |  | 9699-0025-02             | Planbricka .....        | Washer .....                      |             |                     |  |
| 5               | 2              |                      |  | 9739-0631-22             | Mutter .....            | Nut .....                         |             |                     |  |
| 6               | 2              |                      |  | 1111-2018-01             | Kabelhållare .....      | Cable holder .....                |             |                     |  |
| 7               | 2              |                      |  | 9836-9216-12             | Skruv .....             | Screw .....                       |             |                     |  |
| 8               | 1              |                      |  | 9400-0219-00             | Batteriladdare .....    | Charger .....                     |             |                     |  |
| 9               | 1              |                      |  | 1111-3382-01             | Hölje .....             | Cover .....                       |             |                     |  |
| 10              | 1              |                      |  | 1111-2020-01             | Hus .....               | Housing .....                     |             |                     |  |
| 11              | 1              |                      |  | 1111-2021-01             | Lock .....              | Cover .....                       |             |                     |  |
| 12              | 1              |                      |  | 1111-3360-02             | Kabelhärva .....        | Harness .....                     |             |                     |  |
| 13              | 1              |                      |  | 9400-0186-00             | Tändningslås kpl .....  | Starting switch assy .....        |             |                     |  |
| 13A             | 1              |                      |  | 1134-2848-01             | • Tändningsnyckel ..... | • Ignition key .....              |             |                     |  |
| 14              | 1              |                      |  | 9838-9216-12             | Skruv .....             | Screw .....                       |             |                     |  |

A



B

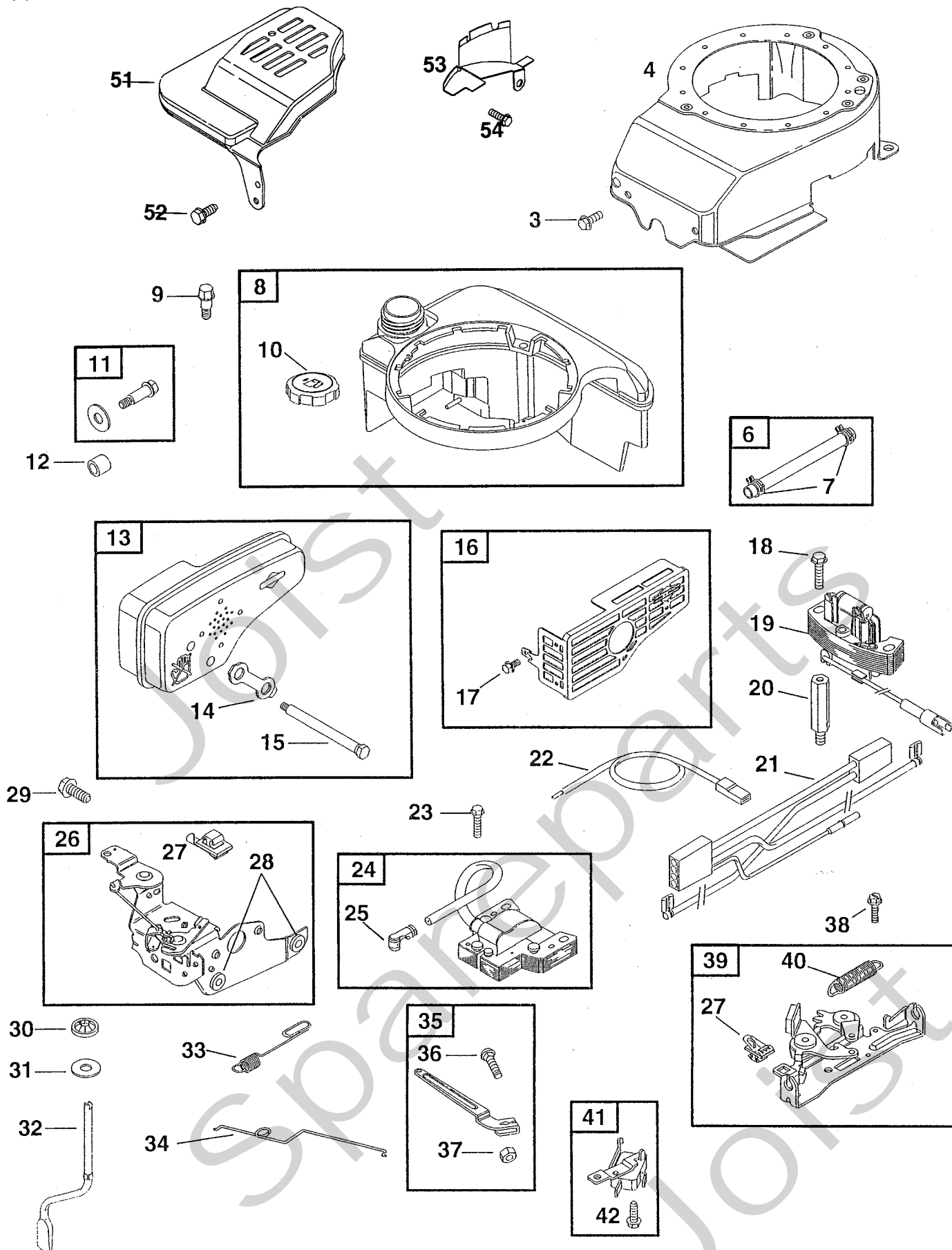


**STIGA**  
1274A  
SPARE PARTS



| Utgåva<br>Issue<br>2004-12 |                     | Bildnr<br>Picture No<br>1274A |                     | BRIGGS & STRATTON<br>127707, 12F702<br>CYLINDER<br>VEVAXEL |                               | BRIGGS & STRATTON<br>127707, 12F702<br>CYLINDER<br>CRANKSHAFT |             | Sida<br>Page<br>412 |
|----------------------------|---------------------|-------------------------------|---------------------|--|-------------------------------|---|-------------|---------------------|
| Pos.<br>Fig.               | Antal/Quantity      |                               |                     | Art nr<br>Part No  | Benämning                     | Description   | Sats<br>Kit | Anmärkning<br>Notes |
|                            | 127<br>707-<br>1736 | 127<br>707-<br>1792           | 12F<br>702-<br>1766 |  |                               |   |             |                     |
| X A01                      | 1                   | 1                             | 1                   | 690662   | Mutter.....                   | Flywheel nut.....   |             |                     |
| A02                        | 1                   | 1                             | 1                   | 695161   | Svånghjulskopp.....           | Flywheel cup.....   |             |                     |
| A03                        | 1                   | 1                             | 1                   | 691919   | Skydd.....                    | Rewind guard.....   |             |                     |
| A04                        | 1                   | 1                             |                     | 691987   | Svånghjul.....                | Flywheel.....   |             |                     |
| A04                        |                     |                               | 1                   | 692315   | Svånghjul.....                | Flywheel.....   |             |                     |
| A05                        |                     | 1                             |                     | 692342   | Lock.....                     | Cover.....  |             |                     |
| X A05                      | 1                   |                               | 1                   | 697734   | Lock.....                     | Cover.....  |             |                     |
| A06                        | 4                   | 4                             | 4                   | 690345   | Skruv.....                    | Screw.....  |             |                     |
| A07                        | 1                   | 1                             | 1                   | 691879   | Packning.....                 | Gasket.....   |             |                     |
| A08                        | 1                   | 1                             | 1                   | 399269   | • Bussning.....               | • Bushing.....  |             |                     |
| A09                        | 1                   | 1                             | 1                   | 697322   | Cylinder kpl.....             | Cylinder assy.....  |             |                     |
| A10                        | 1                   | 1                             | 1                   | 299819   | • Tätningring.....            | • Oil seal.....   |             |                     |
| A11                        | 1                   | 1                             | 1                   | 691781   | Ventilationsrör.....          | Breather tube.....  |             |                     |
| A12                        | 1                   | 1                             | 1                   | 690450   | Cylinderskydd.....            | Cylinder shield.....  |             |                     |
| A13                        | 1                   | 1                             | 1                   | 690345   | Skruv.....                    | Screw.....  |             |                     |
| A14                        | 1                   | 1                             | 1                   | 691155   | • Ventilåsa- insug.....       | • Valve seat- intake.....                                     |             |                     |
| A15                        | 1                   | 1                             | 1                   | 690380   | • Ventilåsa- utblås.....      | • Valve seat- exhaust.....                                    |             |                     |
| A16                        | 1                   | 1                             | 1                   | 262001   | • Ventilstyrning- utblås..... | • Valve guide- exhaust.....                                   |             |                     |
| A16                        | 1                   | 1                             | 1                   | 63709  | • Ventilstyrning- insug.....  | • Guide- intake valve.....                                    |             |                     |
| A17                        | 1                   | 1                             | 1                   | 695250   | Vevhusventilation.....        | Breather.....   |             |                     |
| A18                        | 1                   | 1                             | 1                   | 696125   | • Packning.....               | • Gasket.....   |             |                     |
| A19                        | 2                   | 2                             | 2                   | 691125   | Skruv.....                    | Screw.....  |             |                     |
| A20                        | 1                   | 1                             | 1                   | 493279   | Vevhus.....                   | Engine sump.....  |             |                     |
| A21                        | 1                   | 1                             | 1                   | 692232   | • Packning.....               | • Gasket.....   |             |                     |
| A22                        | 1                   | 1                             | 1                   | 691680   | Oljeavtappningsplugg.....     | Oil drain plug.....   |             |                     |
| A23                        | 1                   | 1                             | 1                   | 399781   | • Tätningring.....            | • Oil seal.....   |             |                     |
| A24                        | 7                   | 7                             | 7                   | 691092   | Skruv.....                    | Screw.....  |             |                     |
| A25                        | 1                   | 1                             | 1                   | 692249   | Packning.....                 | Gasket.....   |             |                     |
| A26                        | 1                   | 1                             | 1                   | 691160   | Topplöck.....                 | Cylinder head.....  |             |                     |
| A27                        | 1                   | 1                             | 1                   | 1111-9029-01   | Tändstiftsnyckel.....         | Spark plug wrench.....  |             |                     |
| A28                        | 1                   | 1                             | 1                   | 9400-0225-00   | Tändstift.....                | Spark plug.....   |             | Champion J19LM      |
| A29                        | 1                   | 1                             | 1                   | 66538  | Tändstiftsskydd.....          | Spark plug elbow.....   |             |                     |
| A30                        | 8                   | 8                             | 8                   | 690912   | Skruv.....                    | Screw.....  |             |                     |
| A31                        | 2                   | 2                             |                     | 690959   | Tapp.....                     | Locating pin.....   |             |                     |
| B01                        | 1                   | 1                             | 1                   | 692017   | Oljesticka kpl.....           | Oil dipstick assy.....  |             |                     |
| B02                        | 1                   | 1                             | 1                   | 495264   | • Oljesticka.....             | • Oil dipstick.....   |             |                     |
| B03                        | 1                   | 1                             | 1                   | 690940   | Skruv.....                    | Screw.....  |             |                     |
| B04                        | 1                   | 1                             | 1                   | 691031   | • O-ring.....                 | • O-ring.....   |             |                     |
| B05                        | 1                   | 1                             | 1                   | 495265   | • Oljepåfyllningsrör.....     | • Oil filler tube.....  |             |                     |
| B06                        | 1                   | 1                             | 1                   | 692296   | • Tätningring.....            | • Tube seal.....  |             |                     |
| B07                        | 1                   | 1                             | 1                   | 499423   | Kolvbult.....                 | Piston pin.....   |             |                     |
| B08                        | 2                   | 2                             | 2                   | 691866   | • Låsring.....                | • Lock ring.....  |             |                     |
| B09                        | 1                   | 1                             | 1                   | 691452   | Vevaxel.....                  | Crankshaft.....   |             |                     |
| B10                        | 1                   | 1                             | 1                   | 222698   | Kil.....                      | Key.....  |             |                     |
| B11                        | 1                   | 1                             | 1                   | 691830   | • Drev.....                   | • Timing gear.....  |             |                     |
| B12                        | 1                   | 1                             | 1                   | 690979   | • Kil.....                    | • Timing key.....   |             |                     |
| B13                        | 1                   | 1                             | 1                   | 499424   | Vevstake.....                 | Connecting rod.....   |             |                     |
| B14                        | 1                   | 1                             | 1                   | 691664   | • Skruv.....                  | • Screw.....  |             |                     |
| B15                        | 1                   | 1                             | 1                   | 695759   | Skruv.....                    | Screw.....  |             |                     |
| B16                        | 1                   | 1                             | 1                   | 691449   | Kamaxel.....                  | Camshaft.....   |             |                     |
| B17                        | 1                   | 1                             | 1                   | 691997   | Oljeslungare.....             | Oil slinger.....  |             |                     |
| B18                        | 2                   | 2                             | 2                   | 690548   | Ventilyftare.....             | Valve tappet.....   |             |                     |
| B19                        | 2                   | 2                             | 2                   | 692194   | Ventilhållare.....            | Valve retainer.....   |             |                     |
| B20                        | 1                   | 1                             | 1                   | 691270   | Ventilfjäder.....             | Valve spring.....   |             |                     |
| B21                        | 1                   | 1                             | 1                   | 691270   | Ventilfjäder.....             | Valve spring.....   |             |                     |
| B22                        | 1                   | 1                             | 1                   | 262651   | Utblåsningsventil.....        | Exhaust valve.....  |             |                     |
| B23                        | 1                   | 1                             | 1                   | 262652   | Insugningsventil.....         | Intake valve.....   |             |                     |
| B24                        | 1                   | 1                             | 1                   | 499429   | Kolv kpl.....                 | Piston assy.....  |             | Standard            |
| B24                        | 1                   | 1                             | 1                   | 499431   | Kolv kpl.....                 | Piston assy.....  |             | .020" oversize      |
| B25                        | 1                   | 1                             | 1                   | 499425   | • Kolvringsatts.....          | • Ring set.....   |             | Standard            |
| B25                        | 1                   | 1                             | 1                   | 499427   | • Kolvringsatts.....          | • Ring set.....   |             | .020" oversize      |

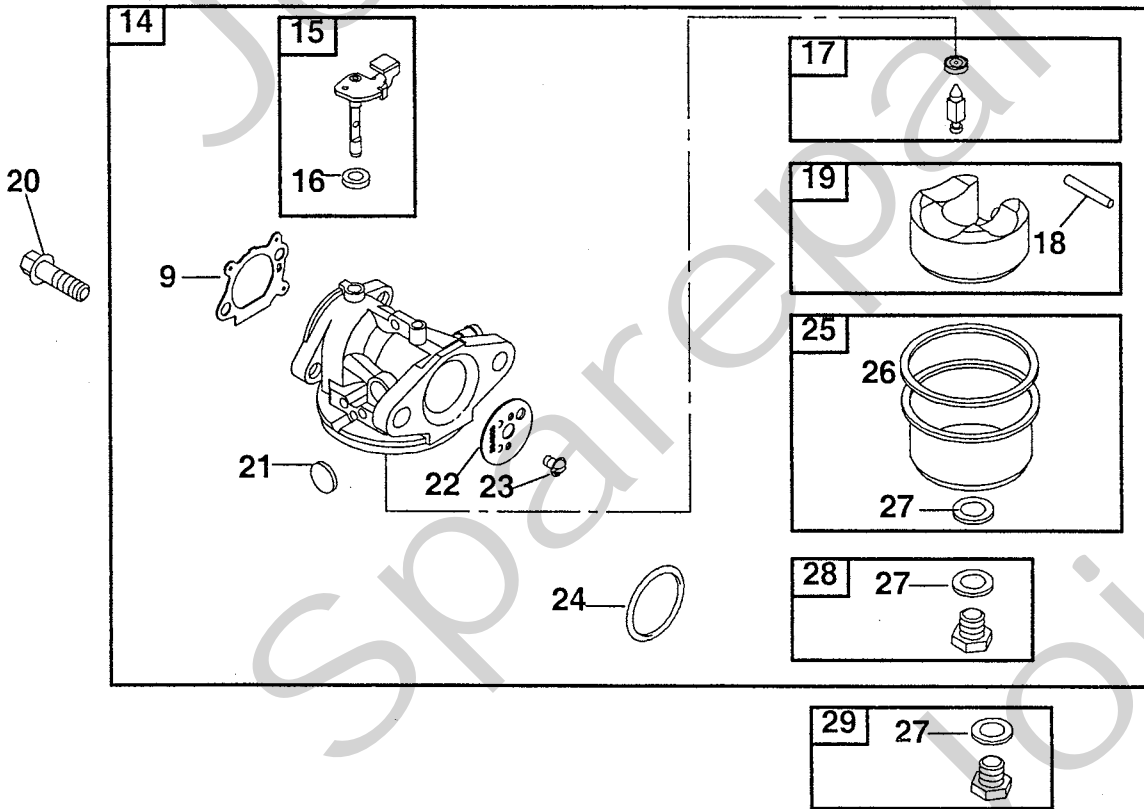
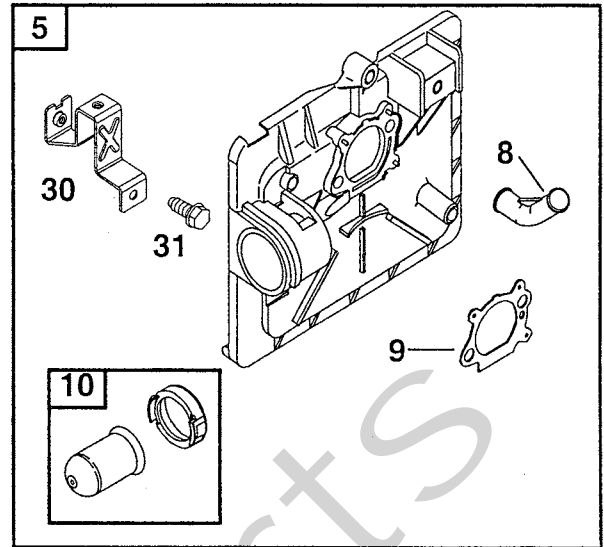
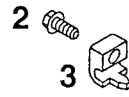
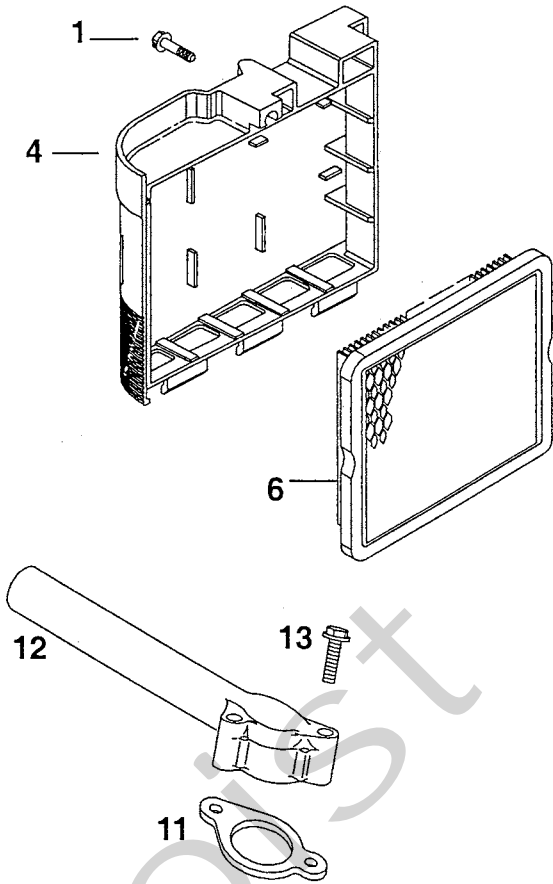
A



| Utgåva<br>Issue |                     | Bildnr<br>Picture No |                     | BRIGGS & STRATTON<br>127707, 12F702<br>BRÄNSLETANK<br>REGULATOR |                          | BRIGGS & STRATTON<br>127707, 12F702<br>FUEL TANK<br>GOVERNOR |             | Sida<br>Page        |  |
|-----------------|---------------------|----------------------|---------------------|---|--------------------------|--|-------------|---------------------|--|
| 2004-12         |                     | 1275B                |                     |   |                          |  |             | 414                 |  |
| Pos.<br>Fig.    | Antal/Quantity      |                      |                     | Art nr<br>Part No   | Benämning                | Description  | Sats<br>Kit | Anmärkning<br>Notes |  |
|                 | 127<br>707-<br>1736 | 127<br>707-<br>1792  | 12F<br>702-<br>1766 |   |                          |  |             |                     |  |
| A03             | 4                   | 4                    | 4                   | 691108  | Skruv .....              | Screw .....  |             |                     |  |
| A04             | 1                   | 1                    | 1                   | 493293  | Fläkthus .....           | Blower housing .....   |             |                     |  |
| A06             |                     |                      | 1                   | 691050  | Bränsleslang .....       | Fuel line .....  |             |                     |  |
| A06             | 1                   | 1                    |                     | 691371  | Bränsleslang .....       | Fuel line .....  |             |                     |  |
| A07             | 2                   | 2                    | 2                   | 95162   | Slangklämma .....        | Hose clamp .....   |             |                     |  |
| A08             | 1                   | 1                    | 1                   | 695887  | Bränsletank .....        | Fuel tank .....  |             |                     |  |
| A09             | 2                   | 2                    | 2                   | 690940  | Skruv .....              | Screw .....  |             |                     |  |
| A10             | 1                   | 1                    | 1                   | 397974  | • Tanklock .....         | • Fuel cap .....   |             |                     |  |
| A11             | 1                   | 1                    | 1                   | 692311  | Skruv/bricka .....       | Screw/washer .....   |             |                     |  |
| A12             | 1                   | 1                    | 1                   | 692294  | Distans .....            | Spacer .....   |             |                     |  |
| A13             | 1                   | 1                    | 1                   | 496106  | Ljuddämpare .....        | Muffler .....  |             |                     |  |
| A14             | 1                   | 1                    | 1                   | 691740  | • Låsbleck .....         | • Screw lock .....   |             |                     |  |
| A15             | 2                   | 2                    | 2                   | 691340  | • Skruv .....            | • Screw .....  |             |                     |  |
| A16             | 1                   | 1                    | 1                   | 499034  | Skydd .....              | Guard .....  |             |                     |  |
| A17             | 2                   | 2                    | 2                   | 690664  | • Skruv .....            | • Screw .....  |             |                     |  |
| A18             | 2                   | 2                    |                     | 691648  | Skruv .....              | Screw .....  |             |                     |  |
| A19             | 1                   | 1                    |                     | 691991  | Generator .....          | Alternator .....   |             |                     |  |
| A20             | 2                   | 2                    |                     | 691094  | Pinnbult .....           | Stud .....   |             |                     |  |
| A21             | 1                   | 1                    |                     | 696547  | Kablage .....            | Wiring harness .....   |             |                     |  |
| A22             | 1                   | 1                    | 1                   | 692390  | Stoppkabel .....         | Stop wire .....  |             |                     |  |
| A23             | 2                   | 2                    | 2                   | 691061  | Skruv .....              | Screw .....  |             |                     |  |
| A24             | 1                   | 1                    | 1                   | 802574  | Tändsystem .....         | Magneto armature .....                                       |             |                     |  |
| A25             | 1                   | 1                    | 1                   | 493880  | • Anslutningshylsa ..... | • Terminal .....   |             |                     |  |
| A26             | 1                   | 1                    | 1                   | 692031  | Reglageplåt .....        | Control bracket .....  |             |                     |  |
| A27             | 2                   | 2                    | 2                   | 692310  | • Stoppkontakt .....     | • Stop switch .....  |             |                     |  |
| A28             | 1                   | 1                    | 1                   | 493823  | • Distans .....          | • Spacer .....   |             |                     |  |
| A29             | 2                   | 2                    | 2                   | 690877  | Skruv .....              | Screw .....  |             |                     |  |
| A30             | 1                   | 1                    | 1                   | 690340  | Hållare .....            | Retainer .....   |             |                     |  |
| A31             | 1                   | 1                    | 1                   | 690272  | Bricka .....             | Washer .....   |             |                     |  |
| A32             | 1                   | 1                    | 1                   | 698801  | Regulatoraxel .....      | Governor crank .....   |             |                     |  |
| A33             | 1                   |                      | 1                   | 691292  | Regulatorfjäder .....    | Governor spring .....  |             |                     |  |
| A33             |                     | 1                    |                     | 691852  | Regulatorfjäder .....    | Governor spring .....  |             |                     |  |
| A34             | 1                   | 1                    | 1                   | 691829  | Regulatorlänk .....      | Governor link .....  |             |                     |  |
| A35             | 1                   | 1                    | 1                   | 690783  | Regulatorarm .....       | Govern. control lever .....                                  |             |                     |  |
| A36             |                     |                      | 1                   | 691119  | Bult .....               | Bolt .....   |             |                     |  |
| A36             | 1                   | 1                    |                     | 92613   | • Skruv .....            | • Screw .....  |             |                     |  |
| A37             | 1                   | 1                    | 1                   | 691251  | • Mutter .....           | • Nut .....  |             |                     |  |
| A38             | 2                   | 2                    | 2                   | 691648  | Skruv .....              | Screw .....  |             |                     |  |
| A39             | 1                   | 1                    | 1                   | 691994  | Broms .....              | Brake .....  |             |                     |  |
| A40             | 1                   | 1                    | 1                   | 691831  | • Bromsfjäder .....      | • Brake spring .....   |             |                     |  |
| A41             | 1                   | 1                    |                     | 499421  | Brytare .....            | Switch .....   |             |                     |  |
| A42             | 1                   | 1                    |                     | 691627  | • Skruv .....            | • Screw .....  |             |                     |  |
| A51             |                     |                      | 1                   | 691757  | Lock .....               | Control cover .....  |             |                     |  |
| A52             |                     |                      | 1                   | 690664  | Skruv .....              | Screw .....  |             |                     |  |
| A53             |                     |                      | 1                   | 694086  | Svånghjulsskydd .....    | Flywheel guard .....   |             |                     |  |
| A54             |                     |                      | 1                   | 691108  | Skruv .....              | Screw .....  |             |                     |  |

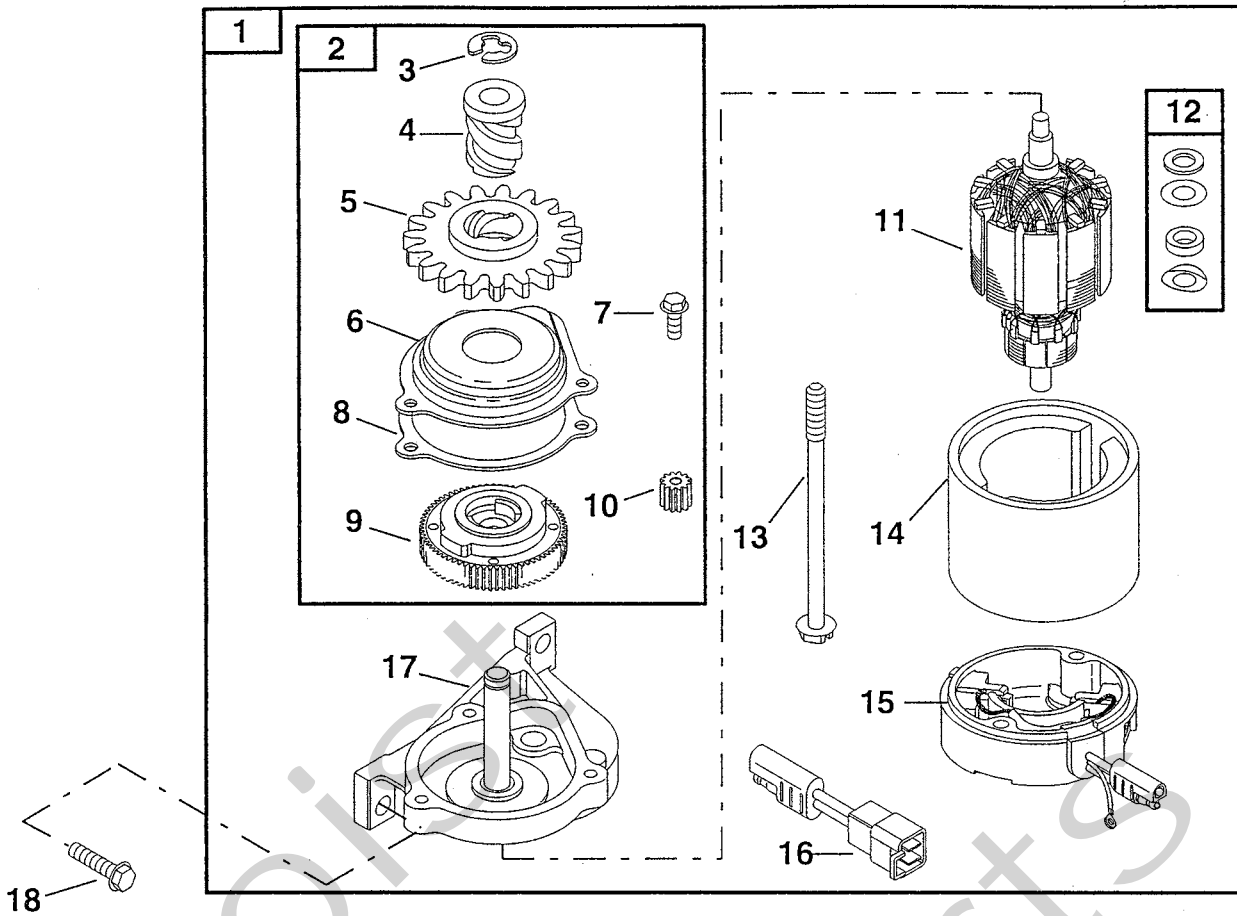
2 st/includes 2

A

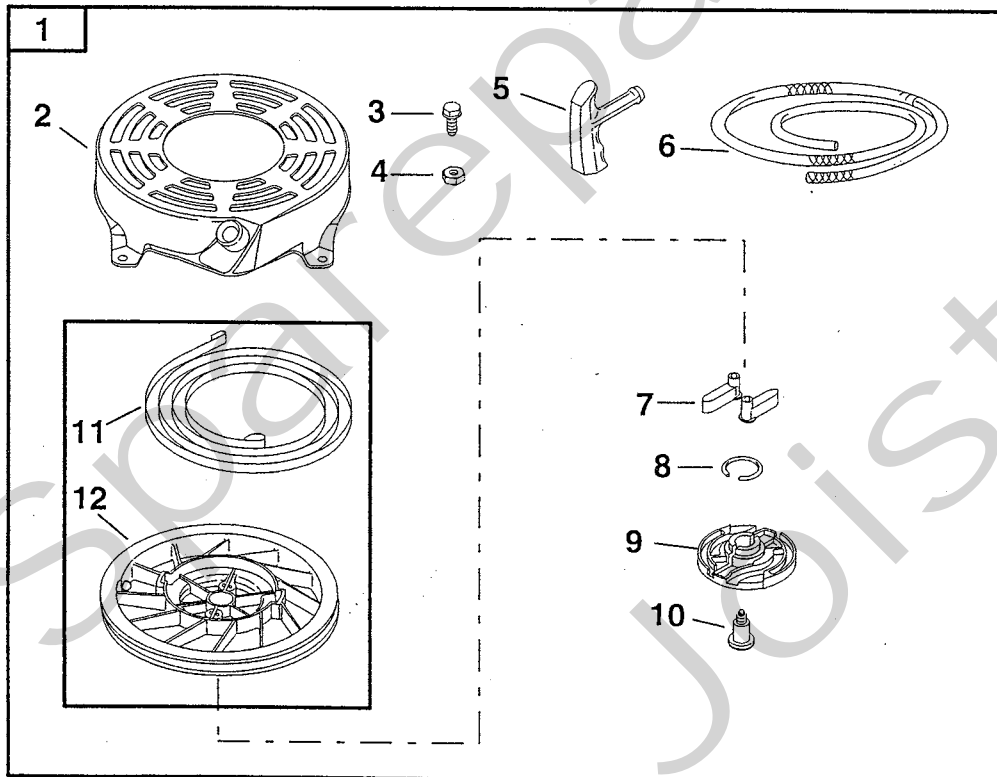


| Utgåva<br>Issue |                     | Bildnr<br>Picture No |                     | BRIGGS & STRATTON<br>127707, 12F702<br>LUFTFILTER<br>FÖRGASARE |                   | BRIGGS & STRATTON<br>127707, 12F702<br>AIR CLEANER<br>CARBURETTOR |                         | Sida<br>Page |                     |
|-----------------|---------------------|----------------------|---------------------|--|-------------------|---|-------------------------|--------------|---------------------|
| 2004- 12        |                     | 1276A                |                     |  |                   |   |                         | 416          |                     |
| Pos.<br>Fig.    | Antal/Quantity      |                      |                     |  | Art nr<br>Part No | Benämning   | Description             | Sats<br>Kit  | Anmärkning<br>Notes |
|                 | 127<br>707-<br>1736 | 127<br>707-<br>1792  | 12F<br>702-<br>1766 |  |                   |   |                         |              |                     |
| A01             | 1                   | 1                    | 1                   |  | 690670            | Skruv .....   | Screw .....             |              |                     |
| A02             | 1                   | 1                    |                     |  | 691044            | Skruv .....   | Screw .....             |              |                     |
| A03             | 1                   | 1                    |                     |  | 690798            | Wireklämma .....  | Casing clamp .....      |              |                     |
| A04             | 1                   | 1                    | 1                   |  | 692298            | Luftrenarlock .....   | Air cleaner cover ..... |              |                     |
| A05             | 1                   | 1                    | 1                   |  | 496116            | Luftrenarfäste .....  | Air cleaner base .....  |              |                     |
| A06             | 1                   | 1                    | 1                   |  | 491588            | Pappersfilter .....   | Air filter .....        |              |                     |
| A07             | 2                   | 2                    | 2                   |  | 692523            | Skruv .....   | Screw .....             |              |                     |
| A08             | 1                   | 1                    | 1                   |  | 691923            | • Hylsa .....   | • Grommet .....         |              |                     |
| A09             | 1                   | 1                    | 1                   |  | 272653            | • Packning .....  | • Gasket .....          |              |                     |
| A10             | 1                   | 1                    | 1                   |  | 694395            | • Primer .....  | • Primer .....          |              |                     |
| A11             | 1                   | 1                    | 1                   |  | 272199            | Packning .....  | Gasket .....            |              |                     |
| A12             | 1                   | 1                    | 1                   |  | 497465            | Insugningsrör .....   | Intake pipe .....       |              |                     |
| A13             | 2                   | 2                    | 2                   |  | 691650            | Skruv .....   | Screw .....             |              |                     |
| A14             | 1                   | 1                    | 1                   |  | 498170            | Förgasare kpl .....   | Carburettor assy .....  |              |                     |
| A15             | 1                   | 1                    | 1                   |  | 696565            | • Spjällaxel .....  | • Throttle shaft .....  |              |                     |
| A16             | 1                   | 1                    | 1                   |  | 691321            | • Dammtätning .....   | • Dust seal .....       |              |                     |
| A17             | 1                   | 1                    | 1                   |  | 398188            | • Bränslenål .....  | • Inlet valve .....     |              |                     |
| A18             | 1                   | 1                    | 1                   |  | 691242            | • Flottöraxel .....   | • Float hinge pin ..... |              |                     |
| A19             | 1                   | 1                    | 1                   |  | 398187            | • Flottör .....   | • Float .....           |              |                     |
| A20             | 2                   | 2                    | 2                   |  | 692524            | Skruv .....   | Screw .....             |              |                     |
| A21             | 1                   | 1                    | 1                   |  | 694468            | • Expansionsbricka .....  | • Welch plug .....      |              |                     |
| A22             | 1                   | 1                    |                     |  | 691203            | • Gasspjäll .....   | • Throttle valve .....  |              |                     |
| A22             | 1                   |                      | 1                   |  | 696564            | • Gasspjäll .....   | • Throttle valve .....  |              |                     |
| A23             | 1                   | 1                    | 1                   |  | 691636            | • Skruv .....   | • Screw .....           |              |                     |
| A24             | 1                   | 1                    | 1                   |  | 270344            | • Tätning .....   | • Seal .....            |              |                     |
| A25             | 1                   | 1                    | 1                   |  | 493640            | • Flottörhus .....  | • Bowl .....            |              |                     |
| A26             | 1                   | 1                    | 1                   |  | 693981            | • Packning .....  | • Gasket .....          |              |                     |
| A27             | 1                   | 1                    | 1                   |  | 271716            | • Tätningsbricka .....  | • Sealing washer .....  |              |                     |
| A28             |                     | 1                    |                     |  | 494870            | • Huvudmunstycke .....  | • Main jet .....        |              | Standard            |
| A28             | 1                   |                      | 1                   |  | 498978            | • Huvudmunstycke .....  | • Main jet .....        |              | Standard            |
| A29             |                     |                      | 1                   |  | 494870            | Huvudmunstycke .....  | Main jet .....          |              | High altiyude       |
| A29             |                     | 1                    |                     |  | 497315            | Huvudmunstycke .....  | Main jet .....          |              | High altitude       |
| A30             | 1                   | 1                    | 1                   |  | 691753            | • Fäste .....   | • Bracket .....         |              |                     |
| A31             | 1                   | 1                    | 1                   |  | 691669            | • Skruv .....   | • Screw .....           |              |                     |

A

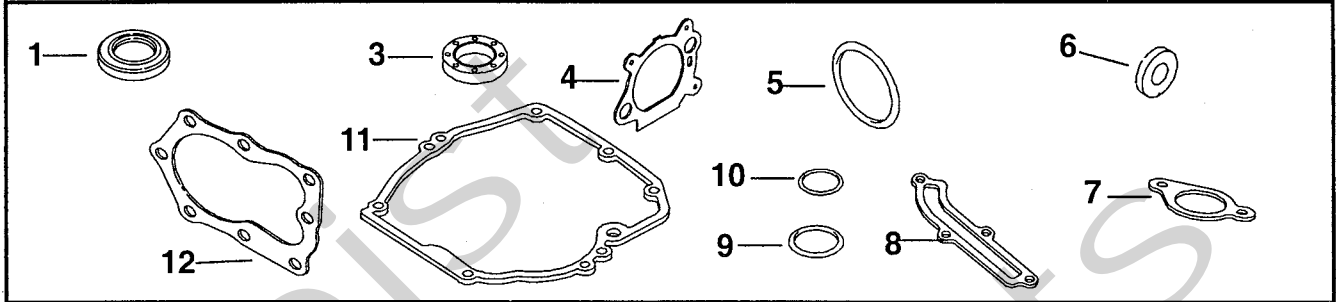


B

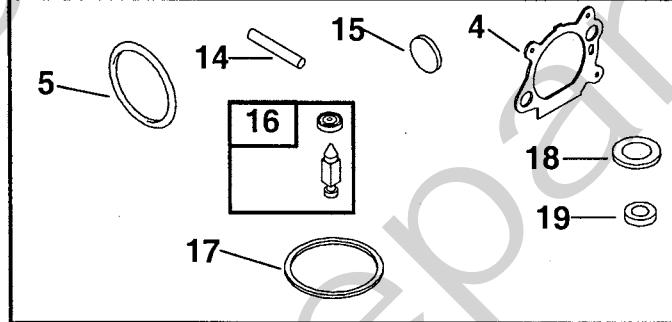


| Utgåva<br>Issue<br>2004-12 |                     | Bildnr<br>Picture No<br>1277 |                     |                   | BRIGGS & STRATTON<br>127707, 12F702<br>STARTMOTOR<br>SNÖRSTART | BRIGGS & STRATTON<br>127707, 12F702<br>STARTER MOTOR<br>REWIND STARTER | Sida<br>Page<br>418 |                     |
|----------------------------|---------------------|------------------------------|---------------------|-------------------|--|--|---------------------|---------------------|
| Pos.<br>Fig.               | Antal/Quantity      |                              |                     | Art nr<br>Part No | Benämning  | Description  | Sats<br>Kit         | Anmärkning<br>Notes |
|                            | 127<br>707-<br>1736 | 127<br>707-<br>1792          | 12F<br>702-<br>1766 |                   |  |  |                     |                     |
| A01                        | 1                   | 1                            |                     | 695550            | Startmotor kpl .....   | Starter motor assy .....   |                     |                     |
| A02                        | 1                   | 1                            |                     | 494147            | • Drev kpl .....   | • Drive kit .....  |                     |                     |
| A03                        | 1                   | 1                            |                     | 93941             | • Låsring .....  | • Retainer .....   |                     |                     |
| A04                        | 1                   | 1                            |                     | 691325            | • Snäckdrev .....  | • Starter spline .....   |                     |                     |
| A05                        | 1                   | 1                            |                     | 691918            | • Drev .....   | • Pinion gear .....  |                     |                     |
| A06                        | 1                   | 1                            |                     | 692341            | • Lock .....   | • Cover .....  |                     |                     |
| A07                        | 3                   | 3                            |                     | 690345            | • Skruv .....  | • Screw .....  |                     |                     |
| A08                        | 1                   | 1                            |                     | 692352            | • Packning .....   | • Gasket .....   |                     |                     |
| A09                        | 1                   | 1                            |                     | 692358            | • Koppling .....   | • Drive clutch .....   |                     |                     |
| A10                        | 1                   | 1                            |                     | 691269            | • Drev .....   | • Pinion gear .....  |                     |                     |
| A11                        | 1                   | 1                            |                     | 690786            | • Rotor .....  | • Starter armature .....   |                     |                     |
| A12                        | 1                   | 1                            |                     | 492919            | • Brickor .....  | • Washer set .....   |                     |                     |
| A13                        | 2                   | 2                            |                     | 692327            | • Bult .....   | • Bolt .....   |                     |                     |
| A14                        | 1                   | 1                            |                     | 695266            | • Starthus .....   | • Starter housing .....  |                     |                     |
| A15                        | 1                   | 1                            |                     | 695267            | • Bottenkåpa .....   | • End cap .....  |                     |                     |
| A16                        | 1                   | 1                            |                     | 695268            | • Kabeladapter .....   | • Wire adapter .....   |                     |                     |
| A17                        | 1                   | 1                            |                     | 690782            | • Lock .....   | • Drive cap .....  |                     |                     |
| A18                        | 2                   | 2                            |                     | 691127            | Skruv .....  | Screw .....  |                     |                     |
| B01                        | 1                   | 1                            | 1                   | 497680            | Start kpl .....  | Starter assy .....   |                     |                     |
| B02                        | 1                   | 1                            | 1                   | 691421            | • Starthus .....   | • Starter housing .....  |                     |                     |
| B03                        | 4                   | 4                            | 4                   | 690837            | • Skruv .....  | • Screw .....  |                     |                     |
| B04                        | 4                   | 4                            | 4                   | 690800            | • Mutter .....   | • Nut .....  |                     |                     |
| B05                        | 1                   | 1                            | 1                   | 281434            | • Starthandtag .....   | • Handle .....   |                     |                     |
| B06                        | 1                   | 1                            |                     | 692259            | • Startsnöre .....   | • Starter rope .....   |                     |                     |
| X B06                      |                     |                              | 1                   | 697316            | • Startsnöre .....   | • Starter rope .....   |                     |                     |
| B07                        | 2                   | 2                            | 2                   | 281505            | • Startklo .....   | • Starter pawl .....   |                     |                     |
| B08                        | 1                   | 1                            | 1                   | 691855            | • Friktionsfjäder .....  | • Friction spring .....  |                     |                     |
| B09                        | 1                   | 1                            | 1                   | 692299            | • Spärrplatta .....  | • Pawl friction plate .....  |                     |                     |
| B10                        | 1                   | 1                            | 1                   | 691696            | • Skruv .....  | • Screw .....  |                     |                     |
| B11                        | 1                   | 1                            | 1                   | 498144            | • Linhjul m. fjäder .....                                      | • Pulley/spring .....  |                     |                     |
| B12                        | 1                   | 1                            | 1                   | 498144            | • Linhjul m. fjäder .....                                      | • Pulley/spring .....  |                     |                     |

**23 ENGINE GASKET SET**



**21 CARBURETOR OVERHAUL KIT**



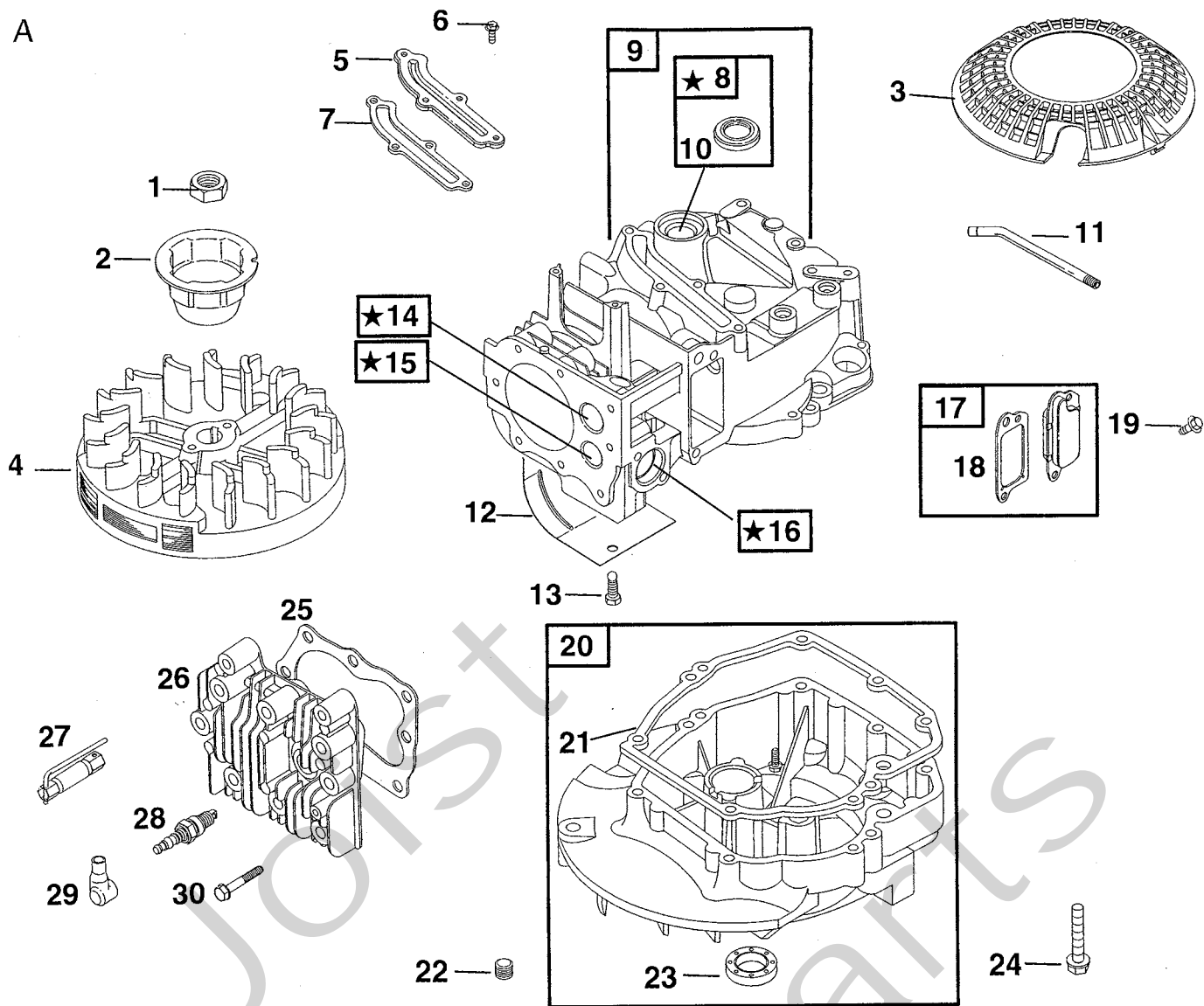
**22 CARBURETOR GASKET SET**



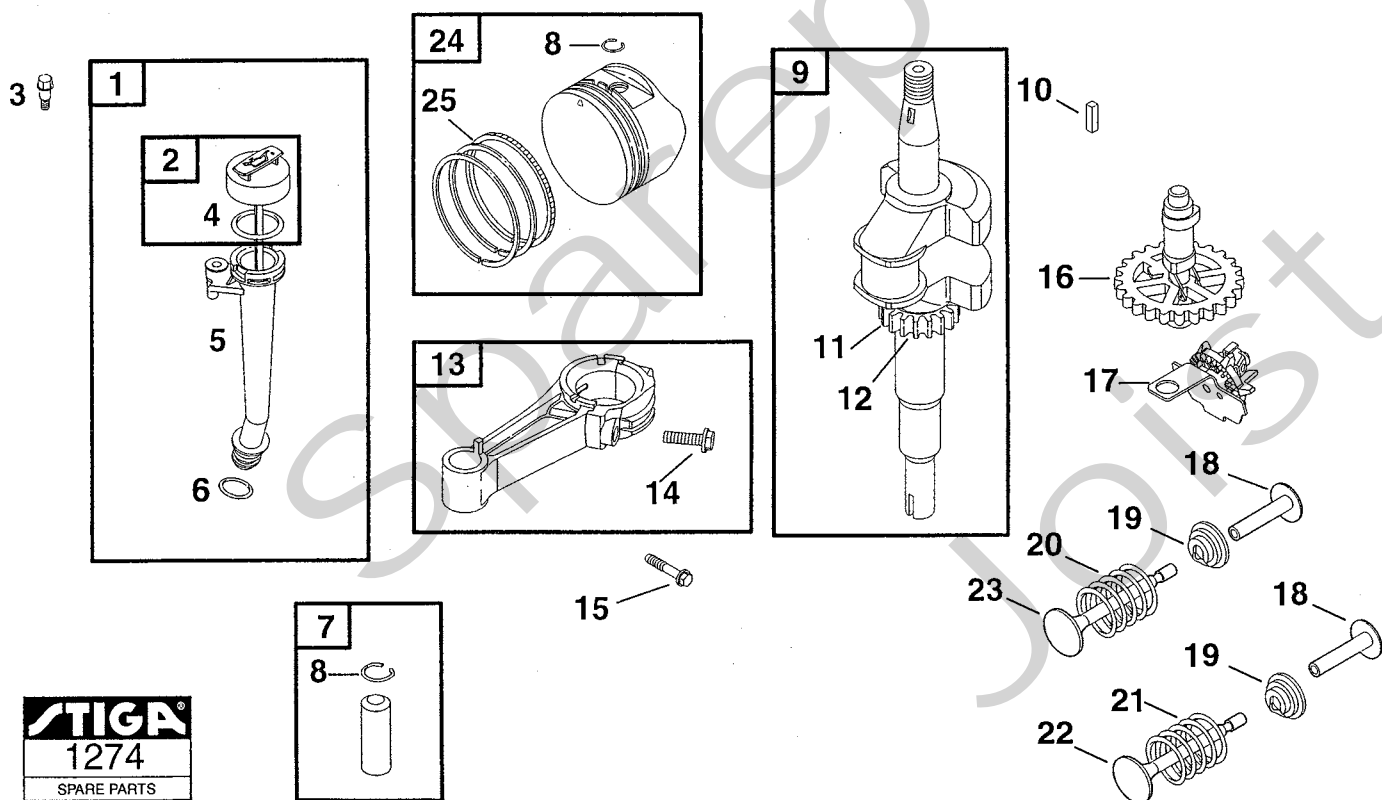


| Utgåva<br>Issue<br>2004-12 |                     | Bildnr<br>Picture No<br>1278A |                     | BRIGGS & STRATTON<br>127707, 12F702<br>PACKNINGSSATS |                          | BRIGGS & STRATTON<br>127707, 12F702<br>GASKET SET |             | Sida<br>Page<br>420 |  |
|----------------------------|---------------------|-------------------------------|---------------------|--|--------------------------|---|-------------|---------------------|--|
| Pos.<br>Fig.               | Antal/Quantity      |                               |                     | Art nr<br>Part No                                    | Benämning                | Description                                       | Sats<br>Kit | Anmärkning<br>Notes |  |
|                            | 127<br>707-<br>1736 | 127<br>707-<br>1792           | 12F<br>702-<br>1766 |  |                          |   |             |                     |  |
| A01                        | 1                   | 1                             | 1                   | 299819   | • Tätningsring .....     | • Oil seal .....                                  |             |                     |  |
| A03                        | 1                   | 1                             | 1                   | 399781   | • Tätningsring .....     | • Oil seal .....                                  |             |                     |  |
| A04                        | 1                   | 1                             | 1                   | 272653   | • Packning .....         | • Gasket .....                                    |             |                     |  |
| A05                        | 1                   | 1                             | 1                   | 270344   | • Tätning .....          | • Seal .....                                      |             |                     |  |
| A06                        | 1                   | 1                             | 1                   | 493823   | • Distans .....          | • Spacer .....                                    |             |                     |  |
| A07                        | 1                   | 1                             | 1                   | 272199   | • Packning .....         | • Gasket .....                                    |             |                     |  |
| A08                        | 1                   | 1                             | 1                   | 691879   | • Packning .....         | • Gasket .....                                    |             |                     |  |
| A09                        | 1                   | 1                             | 1                   | 691031   | • O-ring .....           | • O-ring .....                                    |             |                     |  |
| A10                        | 1                   | 1                             | 1                   | 692296   | • Tätningsring .....     | • Tube seal .....                                 |             |                     |  |
| A11                        | 1                   | 1                             | 1                   | 692232   | • Packning .....         | • Gasket .....                                    |             |                     |  |
| A12                        | 1                   | 1                             | 1                   | 692249   | • Packning .....         | • Gasket .....                                    |             |                     |  |
| A14                        | 1                   | 1                             | 1                   | 691242   | • Flottöraxel .....      | • Float hinge pin .....                           |             |                     |  |
| A15                        | 1                   | 1                             | 1                   | 694468   | • Expansionsbricka ..... | • Welch plug .....                                |             |                     |  |
| A16                        | 1                   | 1                             | 1                   | 398188   | • Bränslenål .....       | • Inlet valve .....                               |             |                     |  |
| A17                        | 1                   | 1                             | 1                   | 693981   | • Packning .....         | • Gasket .....                                    |             |                     |  |
| A18                        | 1                   | 1                             | 1                   | 271716   | • Tätningsbricka .....   | • Sealing washer .....                            |             |                     |  |
| A19                        | 1                   | 1                             | 1                   | 691321   | • Dammtätning .....      | • Dust seal .....                                 |             |                     |  |
| A21                        | 1                   | 1                             | 1                   | 498260   | Rep.sats förgasare ..... | Carb. overhaul kit .....                          |             |                     |  |
| A22                        | 1                   | 1                             | 1                   | 498261   | Packn.sats- förg. ....   | Gasket set- carb. ....                            |             |                     |  |
| A23                        | 1                   | 1                             | 1                   | 497316   | Packn.sats- motor .....  | Gasket set- engine .....                          |             |                     |  |

A

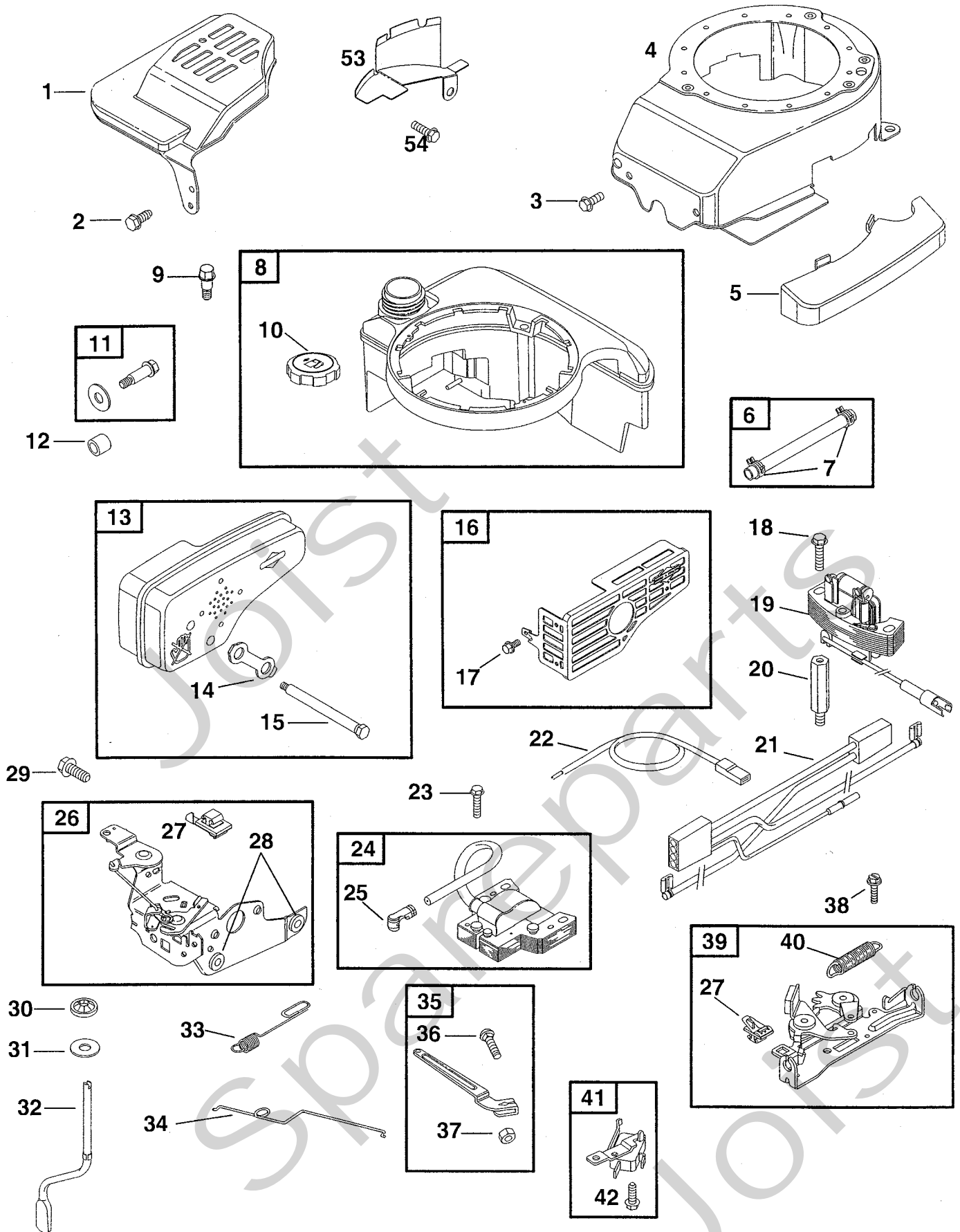


B



| Utgåva<br>Issue<br>2004-12 |                     | Bildnr<br>Picture No<br>1274 |                     |                     |                   | BRIGGS & STRATTON<br>12H802, 12H807<br>CYLINDER<br>VEVAXEL |                             | BRIGGS & STRATTON<br>12H802, 12H807<br>CYLINDER<br>CRANKSHAFT |                     | Sida<br>Page<br>392 |
|----------------------------|---------------------|------------------------------|---------------------|---------------------|-------------------|--|-----------------------------|---|---------------------|---------------------|
| Pos.<br>Fig.               | Antal/Quantity      |                              |                     |                     | Art nr<br>Part No | Benämning  | Description                 | Sats<br>Kit   | Anmärkning<br>Notes |                     |
|                            | 12H<br>802-<br>1935 | 12H<br>807-<br>1936          | 12H<br>802-<br>1966 | 12H<br>807-<br>1992 |                   |  |                             |   |                     |                     |
| A01                        | 1                   | 1                            | 1                   | 1                   | 690662            | Mutter.....  | Flywheel nut.....           |   |                     |                     |
| A02                        | 1                   | 1                            | 1                   | 1                   | 695161            | Svånghjuls kopp.....                                       | Flywheel cup.....           |   |                     |                     |
| A03                        | 1                   | 1                            | 1                   | 1                   | 691919            | Skydd.....   | Rewind guard.....           |   |                     |                     |
| A04                        |                     | 1                            |                     |                     | 691987            | Svånghjul.....   | Flywheel.....               |   |                     |                     |
| A04                        | 1                   |                              | 1                   |                     | 692315            | Svånghjul.....   | Flywheel.....               |   |                     |                     |
| A05                        | 1                   | 1                            | 1                   |                     | 692342            | Lock.....  | Cover.....                  |   |                     |                     |
| X A05                      |                     |                              |                     | 1                   | 697734            | Lock.....  | Cover.....                  |   |                     |                     |
| A06                        | 4                   | 4                            | 4                   | 4                   | 690345            | Skruv.....   | Screw.....                  |   |                     |                     |
| A07                        | 1                   | 1                            | 1                   | 1                   | 691879            | Packning.....  | Gasket.....                 |   |                     |                     |
| A08                        | 1                   | 1                            | 1                   | 1                   | 399269            | • Bussning.....  | • Bushing.....              |   |                     |                     |
| A09                        | 1                   | 1                            | 1                   | 1                   | 697322            | Cylinder kpl.....  | Cylinder assy.....          |   |                     |                     |
| A10                        | 1                   | 1                            | 1                   | 1                   | 299819            | Tätningring.....   | Oil seal.....               |   |                     |                     |
| A11                        |                     |                              | 1                   |                     | 499675            | Ventilationsrör.....                                       | Breather tube.....          |   |                     |                     |
| A11                        | 1                   | 1                            |                     | 1                   | 691781            | Ventilationsrör.....                                       | Breather tube.....          |   |                     |                     |
| A12                        | 1                   | 1                            | 1                   | 1                   | 690450            | Cylinderskydd.....   | Cylinder shield.....        |   |                     |                     |
| A13                        | 1                   | 1                            | 1                   | 1                   | 690345            | Skruv.....   | Screw.....                  |   |                     |                     |
| A14                        | 1                   | 1                            | 1                   | 1                   | 691155            | • Ventilåte- insug.....                                    | • Valve seat- intake.....   |   |                     |                     |
| A15                        | 1                   | 1                            | 1                   | 1                   | 690380            | • Ventilåte- utblås.....                                   | • Valve seat- exhaust.....  |   |                     |                     |
| A16                        | 1                   | 1                            | 1                   | 1                   | 262001            | • Ventilstyrning- utblås.....                              | • Valve guide- exhaust..... |   |                     |                     |
| A16                        | 1                   | 1                            | 1                   | 1                   | 63709             | • Ventilstyrning- insug.....                               | • Guide- intake valve.....  |   |                     |                     |
| A17                        | 1                   | 1                            | 1                   | 1                   | 695250            | Vevhusventilation.....                                     | Breather.....               |   |                     |                     |
| A18                        | 1                   | 1                            | 1                   | 1                   | 696125            | • Packning.....  | • Gasket.....               |   |                     |                     |
| A19                        | 2                   | 2                            | 2                   | 2                   | 691125            | Skruv.....   | Screw.....                  |   |                     |                     |
| A20                        | 1                   | 1                            | 1                   | 1                   | 493279            | Vevhus.....  | Engine sump.....            |   |                     |                     |
| A21                        | 1                   | 1                            | 1                   | 1                   | 692232            | • Packning.....  | • Gasket.....               |   |                     |                     |
| A22                        | 1                   | 1                            | 1                   | 1                   | 691680            | Oljeavtappningsplugg.....                                  | Oil drain plug.....         |   |                     |                     |
| A23                        | 1                   | 1                            | 1                   | 1                   | 399781            | • Tätningring.....   | • Oil seal.....             |   |                     |                     |
| A24                        | 7                   | 7                            | 7                   | 7                   | 691092            | Skruv.....   | Screw.....                  |   |                     |                     |
| A25                        | 1                   | 1                            | 1                   | 1                   | 692249            | Packning.....  | Gasket.....                 |   |                     |                     |
| A26                        | 1                   | 1                            | 1                   | 1                   | 691160            | Topplöck.....  | Cylinder head.....          |   |                     |                     |
| A27                        | 1                   | 1                            | 1                   | 1                   | 1111- 9029- 01    | Tändstiftsnyckel.....                                      | Spark plug wrench.....      |   |                     |                     |
| A28                        | 1                   | 1                            | 1                   | 1                   | 9400- 0225- 00    | Tändstift.....   | Spark plug.....             |   | Champion J19LM      |                     |
| A29                        | 1                   | 1                            | 1                   | 1                   | 66538             | Tändstiftsskydd.....                                       | Spark plug elbow.....       |   |                     |                     |
| A30                        | 8                   | 8                            | 8                   | 8                   | 690912            | Skruv.....   | Screw.....                  |   |                     |                     |
| B01                        | 1                   | 1                            | 1                   | 1                   | 692017            | Oljesticka kpl.....  | Oil dipstick assy.....      |   |                     |                     |
| B02                        | 1                   | 1                            | 1                   | 1                   | 495264            | • Oljesticka.....  | • Oil dipstick.....         |   |                     |                     |
| B03                        | 1                   | 1                            | 1                   | 1                   | 690940            | Skruv.....   | Screw.....                  |   |                     |                     |
| B04                        | 1                   | 1                            | 1                   | 1                   | 691031            | • O- ring.....   | • O- ring.....              |   |                     |                     |
| B05                        | 1                   | 1                            | 1                   | 1                   | 495265            | • Oljepåfyllningsrör.....                                  | • Oil filler tube.....      |   |                     |                     |
| B06                        | 1                   | 1                            | 1                   | 1                   | 692296            | • Tätningring.....   | • Tube seal.....            |   |                     |                     |
| B07                        | 1                   | 1                            | 1                   | 1                   | 499423            | Kolvbult.....  | Piston pin.....             |   |                     |                     |
| B08                        | 2                   | 2                            | 2                   | 2                   | 691866            | • Låsring.....   | • Lock ring.....            |   |                     |                     |
| B09                        | 1                   | 1                            | 1                   | 1                   | 691452            | Vevaxel.....   | Crankshaft.....             |   |                     |                     |
| B10                        | 1                   | 1                            | 1                   | 1                   | 222698            | Kil.....   | Key.....                    |   |                     |                     |
| B11                        | 1                   | 1                            | 1                   | 1                   | 691830            | • Drev.....  | • Timing gear.....          |   |                     |                     |
| B12                        | 1                   | 1                            | 1                   | 1                   | 690979            | • Kil.....   | • Timing key.....           |   |                     |                     |
| B13                        | 1                   | 1                            | 1                   | 1                   | 499424            | Vevstake.....  | Connecting rod.....         |   |                     |                     |
| B14                        | 1                   | 1                            | 1                   | 1                   | 691664            | • Skruv.....   | • Screw.....                |   |                     |                     |
| B15                        | 1                   | 1                            | 1                   | 1                   | 695759            | Skruv.....   | Screw.....                  |   |                     |                     |
| B16                        | 1                   | 1                            | 1                   | 1                   | 691449            | Kamaxel.....   | Camshaft.....               |   |                     |                     |
| B17                        | 1                   | 1                            | 1                   | 1                   | 691997            | Oljeslungare.....  | Oil slinger.....            |   |                     |                     |
| B18                        | 2                   | 2                            | 2                   | 2                   | 690548            | Ventilyftare.....  | Valve tappet.....           |   |                     |                     |
| B19                        | 2                   | 2                            | 2                   | 2                   | 692194            | Ventilhållare.....   | Valve retainer.....         |   |                     |                     |
| B20                        | 1                   | 1                            | 1                   | 1                   | 691270            | Ventilfjäder.....  | Valve spring.....           |   |                     |                     |
| B21                        | 1                   | 1                            | 1                   | 1                   | 691270            | Ventilfjäder.....  | Valve spring.....           |   |                     |                     |
| B22                        | 1                   | 1                            | 1                   | 1                   | 262651            | Utblåsningsventil.....                                     | Exhaust valve.....          |   |                     |                     |
| B23                        | 1                   | 1                            | 1                   | 1                   | 262652            | Insugningsventil.....                                      | Intake valve.....           |   |                     |                     |
| B24                        | 1                   | 1                            | 1                   | 1                   | 499429            | Kolv kpl.....  | Piston assy.....            |   | Standard            |                     |
| B24                        | 1                   | 1                            | 1                   | 1                   | 499430            | Kolv kpl.....  | Piston assy.....            |   | .010" oversize      |                     |
| B24                        | 1                   | 1                            | 1                   | 1                   | 499431            | Kolv kpl.....  | Piston assy.....            |   | .020" oversize      |                     |
| B25                        | 1                   | 1                            | 1                   | 1                   | 499425            | • Kolvringsatts.....                                       | • Ring set.....             |   | Standard            |                     |
| B25                        | 1                   | 1                            | 1                   | 1                   | 499426            | • Kolvringsatts.....                                       | • Ring set.....             |   | .010" oversize      |                     |
| B25                        | 1                   | 1                            | 1                   | 1                   | 499427            | • Kolvringsatts.....                                       | • Ring set.....             |   | .020" oversize      |                     |

A

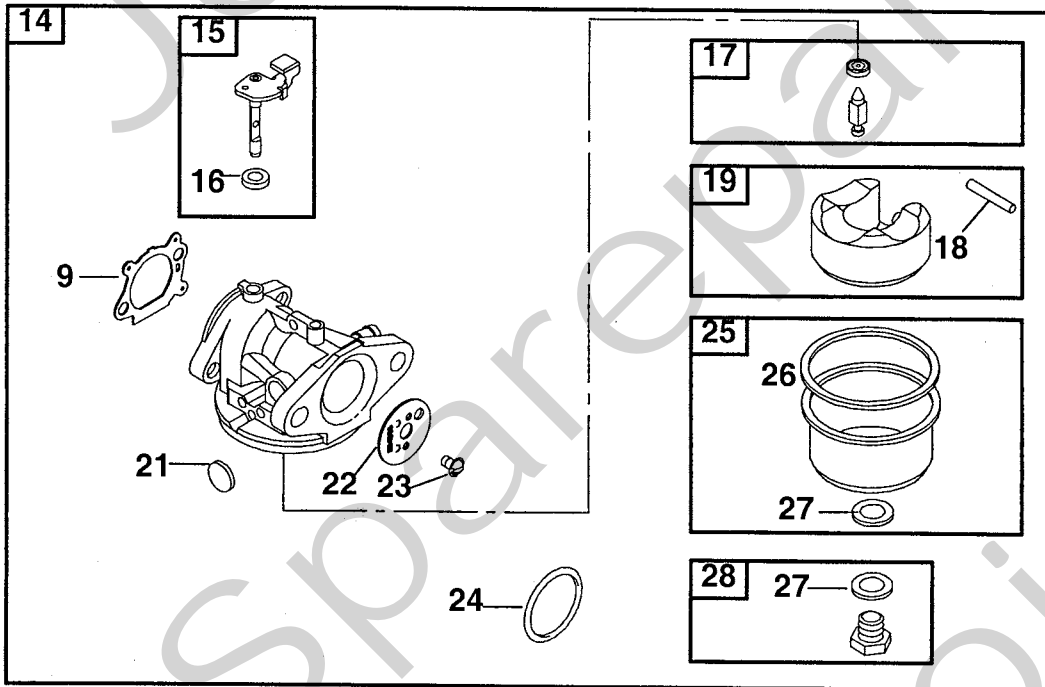
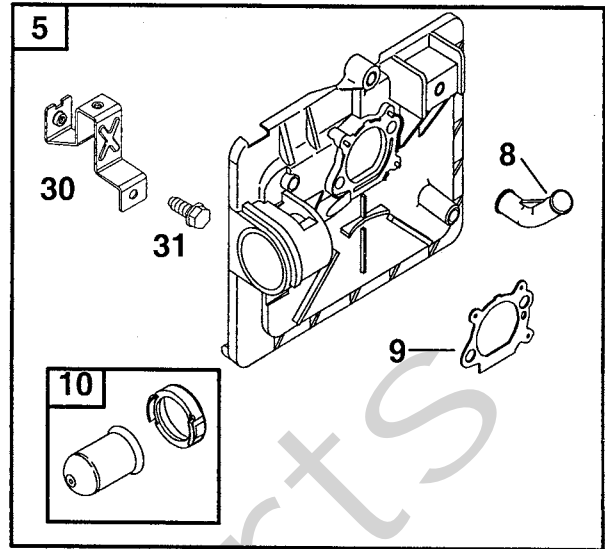
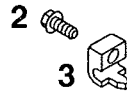
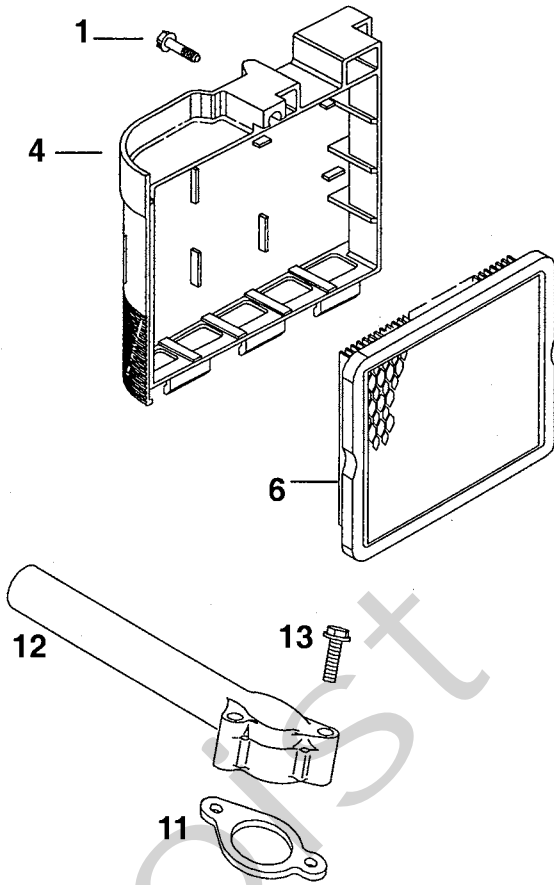


| Utgåva<br>Issue |                     | Bildnr<br>Picture No |                     |                     |                   | BRIGGS & STRATTON<br>12H802, 12H807<br>BRÄNSLETANK<br>REGULATOR |                            | BRIGGS & STRATTON<br>12H802, 12H807<br>FUEL TANK<br>GOVERNOR |                     | Sida<br>Page |
|-----------------|---------------------|----------------------|---------------------|---------------------|-------------------|---|----------------------------|--|---------------------|--------------|
| 2004-12         |                     | 1275                 |                     |                     |                   |   |                            |  |                     | 394          |
| Pos.<br>Fig.    | Antal/Quantity      |                      |                     |                     | Art nr<br>Part No | Benämning   | Description                | Sats<br>Kit  | Anmärkning<br>Notes |              |
|                 | 12H<br>802-<br>1935 | 12H<br>807-<br>1936  | 12H<br>802-<br>1966 | 12H<br>807-<br>1992 |                   |   |                            |  |                     |              |
| A01             | 1                   | 1                    | 1                   | 1                   | 691757            | Lock.....   | Control cover .....        |  |                     |              |
| A02             | 1                   | 1                    | 1                   | 1                   | 690664            | Skruv .....   | Screw .....                |  |                     |              |
| A03             | 4                   | 4                    | 4                   | 4                   | 691108            | Skruv .....   | Screw .....                |  |                     |              |
| A04             | 1                   | 1                    | 1                   | 1                   | 493293            | Fläkthus .....  | Blower housing .....       |  |                     |              |
| A05             | 1                   | 1                    | 1                   | 1                   | 690595            | Lock.....   | Brake cover .....          |  |                     |              |
| A06             | 1                   |                      | 1                   |                     | 691050            | Bränsleslang .....  | Fuel line.....             |  |                     |              |
| A06             |                     | 1                    |                     | 1                   | 691371            | Bränsleslang .....  | Fuel line.....             |  |                     |              |
| A07             | 2                   | 2                    | 2                   | 2                   | 95162             | Slangklämma.....  | Hose clamp .....           |  |                     |              |
| A08             | 1                   | 1                    | 1                   |                     | 495224            | Bränsletank.....  | Fuel tank .....            |  |                     |              |
| A08             |                     |                      |                     | 1                   | 699374            | Bränsletank.....  | Fuel tank .....            |  |                     |              |
| A09             | 2                   | 2                    | 2                   | 2                   | 690940            | Skruv .....   | Screw .....                |  |                     |              |
| A10             | 1                   | 1                    | 1                   | 1                   | 397974            | • Tanklock .....  | • Fuel cap.....            |  |                     |              |
| A11             | 1                   | 1                    | 1                   | 1                   | 692311            | Skruv/bricka .....  | Screw/washer .....         |  |                     |              |
| A12             | 1                   | 1                    | 1                   | 1                   | 692294            | Distans .....   | Spacer .....               |  |                     |              |
| A13             | 1                   | 1                    | 1                   | 1                   | 692038            | Ljuddämpare .....   | Muffler .....              |  |                     |              |
| A14             | 1                   | 1                    | 1                   | 1                   | 691740            | • Låsbleck .....  | • Screw lock .....         |  |                     |              |
| A15             | 2                   | 2                    | 2                   | 2                   | 691340            | • Skruv .....   | • Screw .....              |  |                     |              |
| A16             | 1                   | 1                    | 1                   | 1                   | 499034            | Skydd .....   | Guard .....                |  |                     |              |
| A17             | 2                   | 2                    | 2                   | 2                   | 690664            | • Skruv .....   | • Screw .....              |  |                     |              |
| A18             |                     | 2                    |                     | 2                   | 691648            | Skruv .....   | Screw .....                |  |                     |              |
| A19             |                     | 1                    |                     | 1                   | 691991            | Generator.....  | Alternator .....           |  |                     |              |
| A20             |                     | 2                    |                     | 2                   | 691094            | Pinnbult .....  | Stud .....                 |  |                     |              |
| A21             |                     | 1                    |                     | 1                   | 696547            | Kablage.....  | Wiring harness.....        |  |                     |              |
| A22             | 1                   | 1                    | 1                   | 1                   | 692390            | Stoppkabel.....   | Stop wire.....             |  |                     |              |
| A23             | 2                   | 2                    | 2                   | 2                   | 691061            | Skruv .....   | Screw .....                |  |                     |              |
| A24             | 1                   | 1                    | 1                   | 1                   | 802574            | Tändsystem .....  | Magneto armature.....      |  |                     |              |
| A25             | 1                   | 1                    | 1                   | 1                   | 493880            | • Anslutningshylsa .....  | • Terminal .....           |  |                     |              |
| A26             | 1                   | 1                    | 1                   | 1                   | 692031            | Reglageplåt .....   | Control bracket .....      |  |                     |              |
| A27             | 2                   | 2                    | 2                   | 2                   | 692310            | • Stoppkontakt .....  | • Stop switch .....        |  |                     |              |
| A28             | 1                   | 1                    | 1                   | 1                   | 493823            | • Distans .....   | • Spacer .....             |  |                     |              |
| A29             | 2                   | 2                    | 2                   | 2                   | 690877            | Skruv .....   | Screw .....                |  |                     |              |
| A30             | 1                   | 1                    | 1                   | 1                   | 690340            | Hållare .....   | Retainer .....             |  |                     |              |
| A31             | 1                   | 1                    | 1                   | 1                   | 690272            | Bricka .....  | Washer .....               |  |                     |              |
| A32             | 1                   | 1                    |                     |                     | 691308            | Regulatoraxel.....  | Governor crank .....       |  |                     |              |
| A32             |                     |                      | 1                   | 1                   | 698801            | Regulatoraxel.....  | Governor crank .....       |  |                     |              |
| A33             | 1                   | 1                    | 1                   | 1                   | 691292            | Regulatorfjäder.....  | Governor spring .....      |  |                     |              |
| A34             | 1                   | 1                    | 1                   | 1                   | 691829            | Regulatorlänk .....   | Governor link .....        |  |                     |              |
| A35             | 1                   | 1                    | 1                   | 1                   | 690783            | Regulatorarm.....   | Govern. control lever..... |  |                     |              |
| A36             |                     |                      |                     | 1                   | 691119            | • Bult .....  | • Bolt .....               |  |                     |              |
| A36             | 1                   | 1                    | 1                   |                     | 92613             | • Skruv .....   | • Screw .....              |  |                     |              |
| A37             | 1                   | 1                    |                     |                     | 231082            | • Mutter .....  | • Nut .....                |  |                     |              |
| A37             |                     |                      | 1                   | 1                   | 691251            | • Mutter .....  | • Nut .....                |  |                     |              |
| A38             | 2                   | 2                    | 2                   | 2                   | 691648            | Skruv .....   | Screw .....                |  |                     |              |
| A39             | 1                   | 1                    | 1                   | 1                   | 691994            | Broms.....  | Brake.....                 |  |                     |              |
| A40             | 1                   | 1                    | 1                   | 1                   | 691831            | • Bromsfjäder.....  | • Brake spring.....        |  |                     |              |
| A41             |                     | 1                    |                     | 1                   | 499421            | Brytare.....  | Switch .....               |  |                     |              |
| A42             |                     | 1                    |                     | 1                   | 691627            | • Skruv .....   | • Screw .....              |  |                     |              |
| A53             | 1                   | 1                    | 1                   |                     | 694086            | Svänghjulsskydd .....   | Flywheel guard .....       |  |                     |              |
| A54             | 1                   | 1                    | 1                   |                     | 691108            | Skruv .....   | Screw .....                |  |                     |              |

X

2 st/includes 2

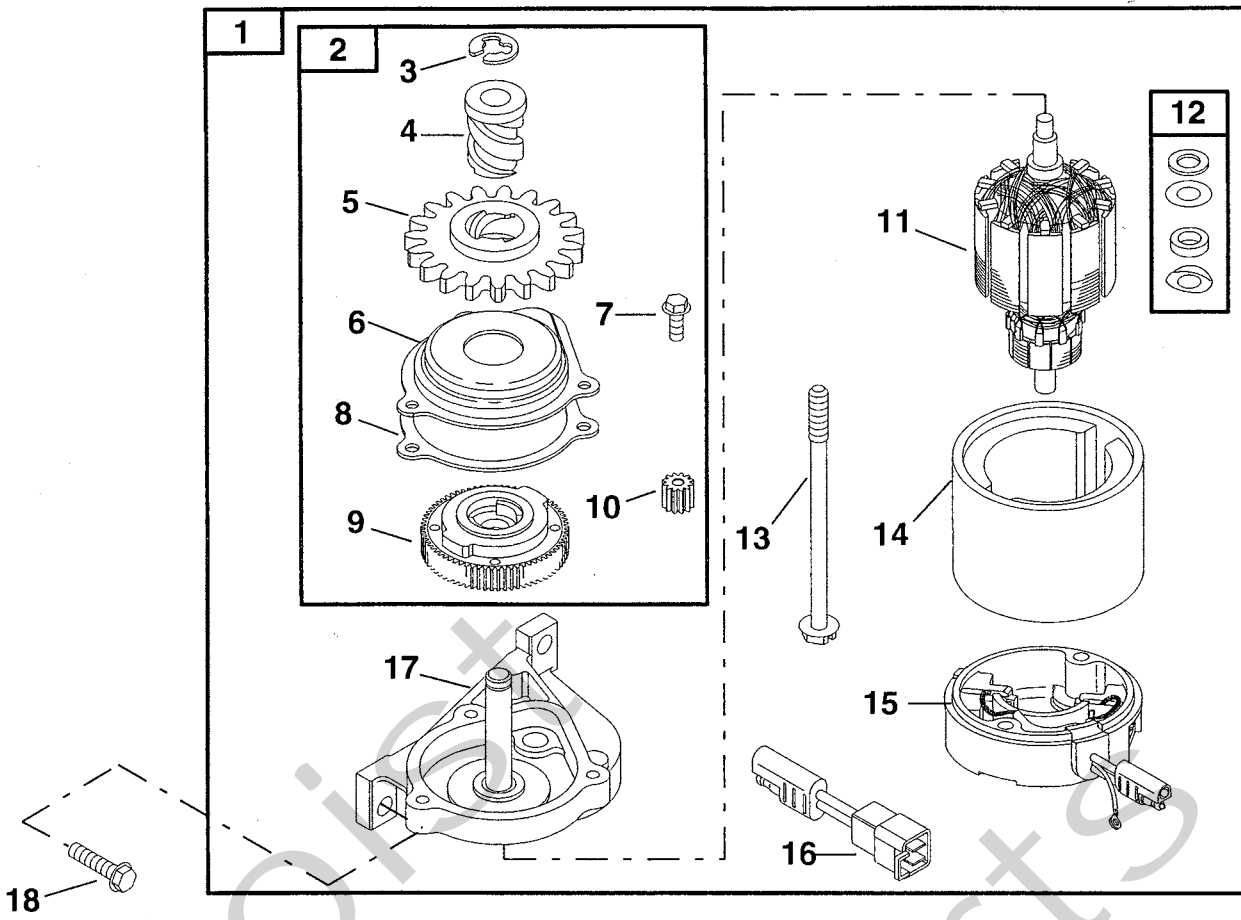
A



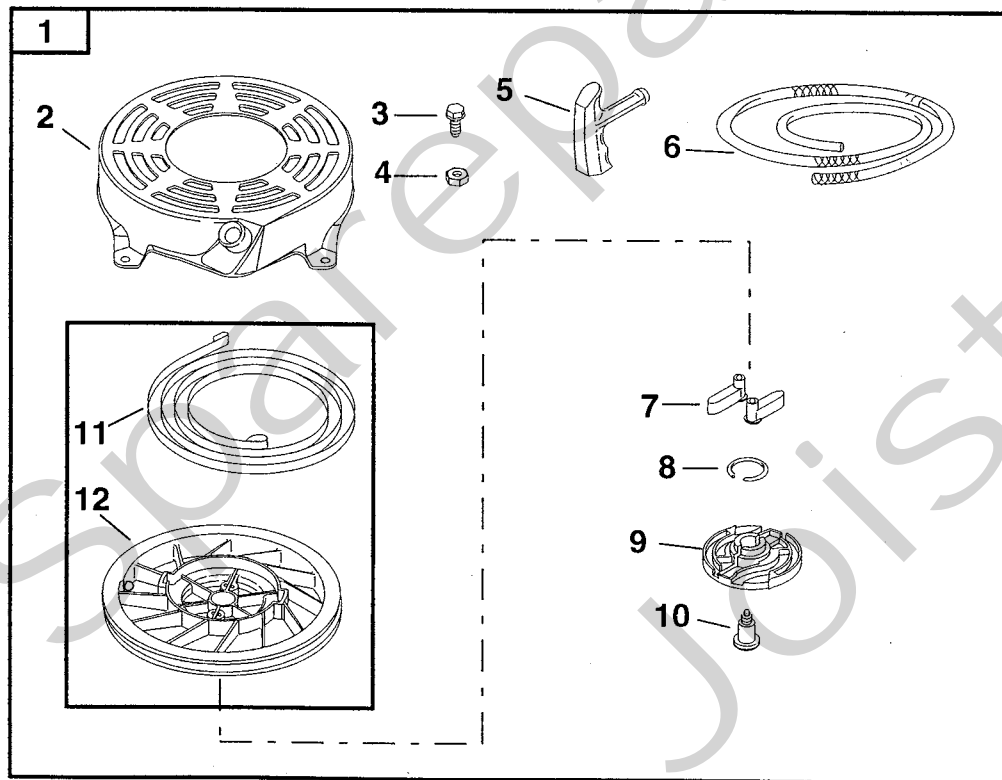
| Utgåva<br>Issue |                     | Bildnr<br>Picture No |                     |                     |                   | BRIGGS & STRATTON<br>12H802, 12H807<br>LUFTFILTER<br>FÖRGASARE |                         | BRIGGS & STRATTON<br>12H802, 12H807<br>AIR CLEANER<br>CARBURETTOR |                     | Sida<br>Page |
|-----------------|---------------------|----------------------|---------------------|---------------------|-------------------|--|-------------------------|---|---------------------|--------------|
| 2004-12         |                     | 1276A                |                     |                     |                   |  |                         |   |                     | 396          |
| Pos.<br>Fig.    | Antal/Quantity      |                      |                     |                     | Art nr<br>Part No | Benämning  | Description             | Sats<br>Kit   | Anmärkning<br>Notes |              |
|                 | 12H<br>802-<br>1935 | 12H<br>807-<br>1936  | 12H<br>802-<br>1966 | 12H<br>807-<br>1992 |                   |  |                         |   |                     |              |
| A01             | 1                   | 1                    | 1                   | 1                   | 690670            | Skruv .....  | Screw .....             |   |                     |              |
| A02             | 1                   | 1                    | 1                   | 1                   | 691044            | Skruv .....  | Screw .....             |   |                     |              |
| A03             | 1                   | 1                    | 1                   | 1                   | 690798            | Wireklämma .....   | Casing clamp .....      |   |                     |              |
| A04             | 1                   | 1                    | 1                   | 1                   | 692298            | Luftrenarlock .....  | Air cleaner cover ..... |   |                     |              |
| A05             | 1                   | 1                    | 1                   | 1                   | 496116            | Luftrenarfäste .....   | Air cleaner base .....  |   |                     |              |
| A06             | 1                   | 1                    | 1                   | 1                   | 491588            | Pappersfilter .....  | Air filter .....        |   |                     |              |
| A07             | 2                   | 2                    | 2                   | 2                   | 692523            | Skruv .....  | Screw .....             |   |                     |              |
| A08             | 1                   | 1                    | 1                   | 1                   | 691923            | • Hylsa .....  | • Grommet .....         |   |                     |              |
| A09             | 1                   | 1                    | 1                   | 1                   | 272653            | • Packning .....   | • Gasket .....          |   |                     |              |
| A10             | 1                   | 1                    | 1                   | 1                   | 694395            | • Primer .....   | • Primer .....          |   |                     |              |
| A11             | 1                   | 1                    | 1                   | 1                   | 272199            | Packning .....   | Gasket .....            |   |                     |              |
| A12             | 1                   | 1                    | 1                   | 1                   | 497465            | Insugningsrör .....  | Intake pipe .....       |   |                     |              |
| A13             | 2                   | 2                    | 2                   | 2                   | 691650            | Skruv .....  | Screw .....             |   |                     |              |
| A14             | 1                   | 1                    | 1                   | 1                   | 498170            | Förgasare kpl. ....  | Carburettor assy .....  |   |                     |              |
| A15             | 1                   | 1                    | 1                   | 1                   | 696565            | • Spjällaxel .....   | • Throttle shaft .....  |   |                     |              |
| A16             | 1                   | 1                    | 1                   | 1                   | 691321            | • Dammtätning .....  | • Dust seal .....       |   |                     |              |
| A17             | 1                   | 1                    | 1                   | 1                   | 398188            | • Bränslenål .....   | • Inlet valve .....     |   |                     |              |
| A18             | 1                   | 1                    | 1                   | 1                   | 691242            | • Flottöraxel .....  | • Float hinge pin ..... |   |                     |              |
| A19             | 1                   | 1                    | 1                   | 1                   | 398187            | • Flottör .....  | • Float .....           |   |                     |              |
| A20             | 2                   | 2                    | 2                   | 2                   | 692524            | Skruv .....  | Screw .....             |   |                     |              |
| A21             | 1                   | 1                    | 1                   | 1                   | 694468            | • Expansionsbricka .....                                       | • Welch plug .....      |   |                     |              |
| A22             | 1                   | 1                    | 1                   | 1                   | 696564            | • Gasspjäll .....  | • Throttle valve .....  |   |                     |              |
| A23             | 1                   | 1                    | 1                   | 1                   | 691636            | • Skruv .....  | • Screw .....           |   |                     |              |
| A24             | 1                   | 1                    | 1                   | 1                   | 270344            | • Tätning .....  | • Seal .....            |   |                     |              |
| A25             | 1                   | 1                    | 1                   | 1                   | 493640            | • Flottörhus .....   | • Bowl .....            |   |                     |              |
| A26             | 1                   | 1                    | 1                   | 1                   | 693981            | • Packning .....   | • Gasket .....          |   |                     |              |
| A27             | 1                   | 1                    | 1                   | 1                   | 271716            | • Tätningsbricka .....   | • Sealing washer .....  |   |                     |              |
| A28             | 1                   | 1                    | 1                   | 1                   | 498978            | • Huvudmunstycke .....   | • Main jet .....        |   |                     |              |
| A29             |                     |                      |                     |                     | 494870            | Huvudmunstycke .....   | Main jet .....          |   |                     |              |
| A29             | 1                   | 1                    | 1                   | 1                   | 497466            | Huvudmunstycke .....   | Main jet .....          |   |                     |              |
| A30             | 1                   | 1                    | 1                   | 1                   | 691753            | • Fäste .....  | • Bracket .....         |   |                     |              |
| A31             | 1                   | 1                    | 1                   | 1                   | 691669            | • Skruv .....  | • Screw .....           |   |                     |              |

Standard  
High altitude  
High altitude

A



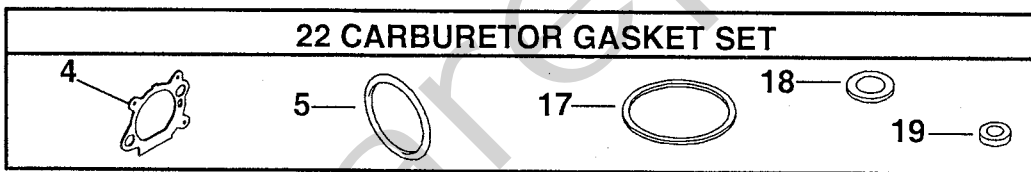
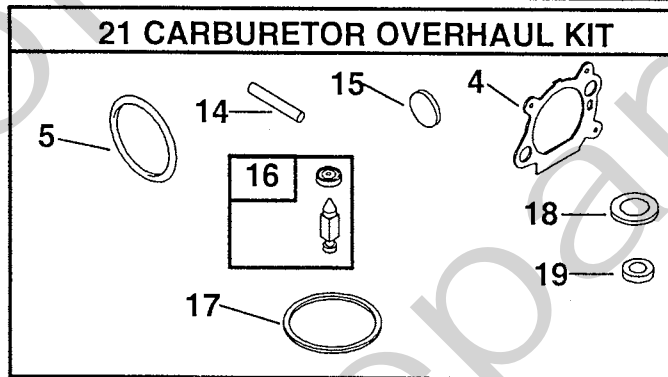
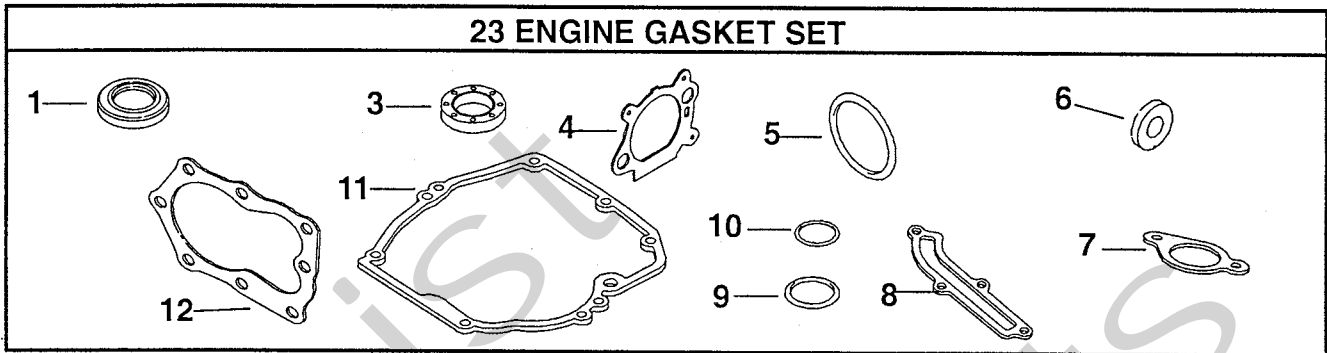
B



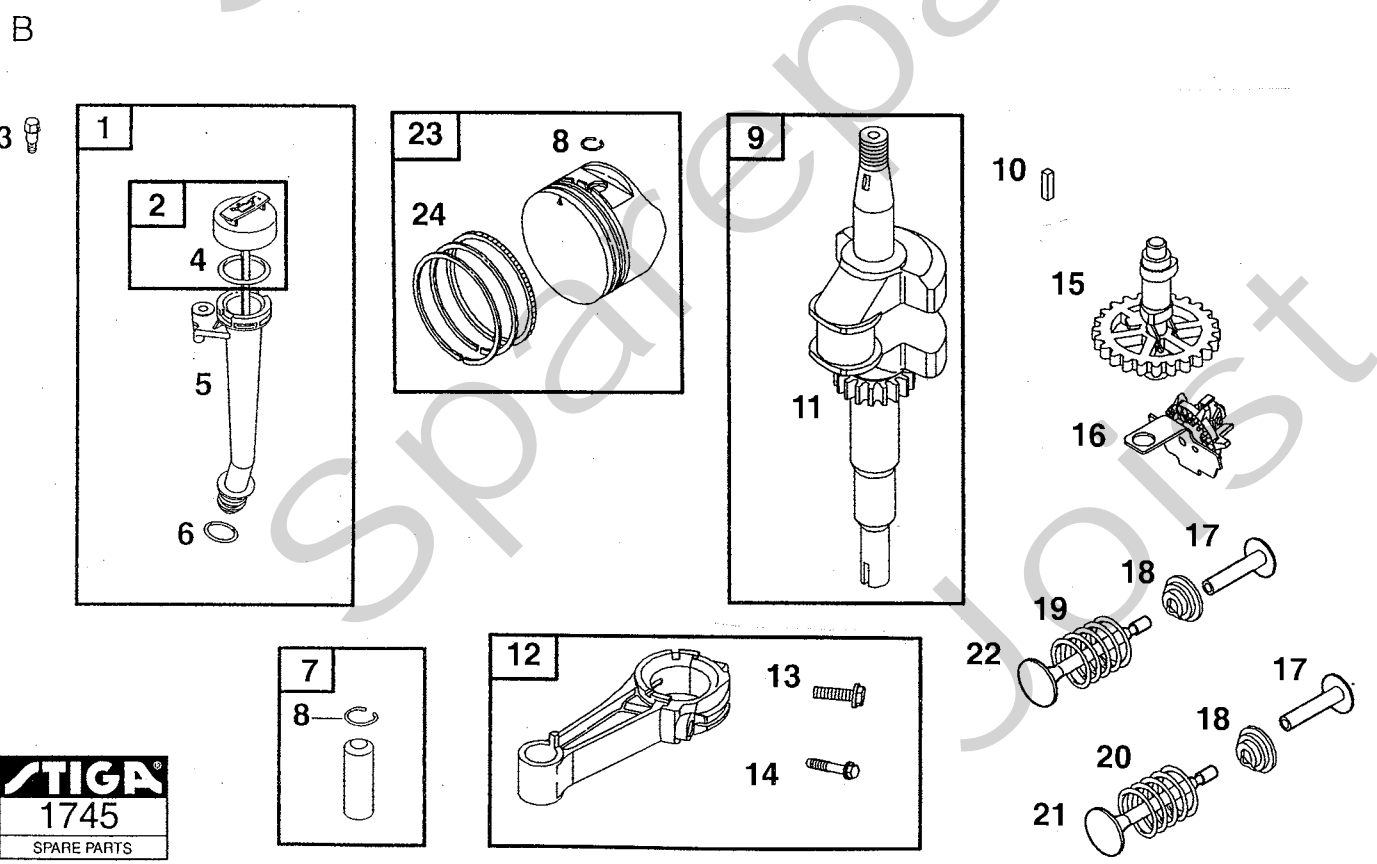
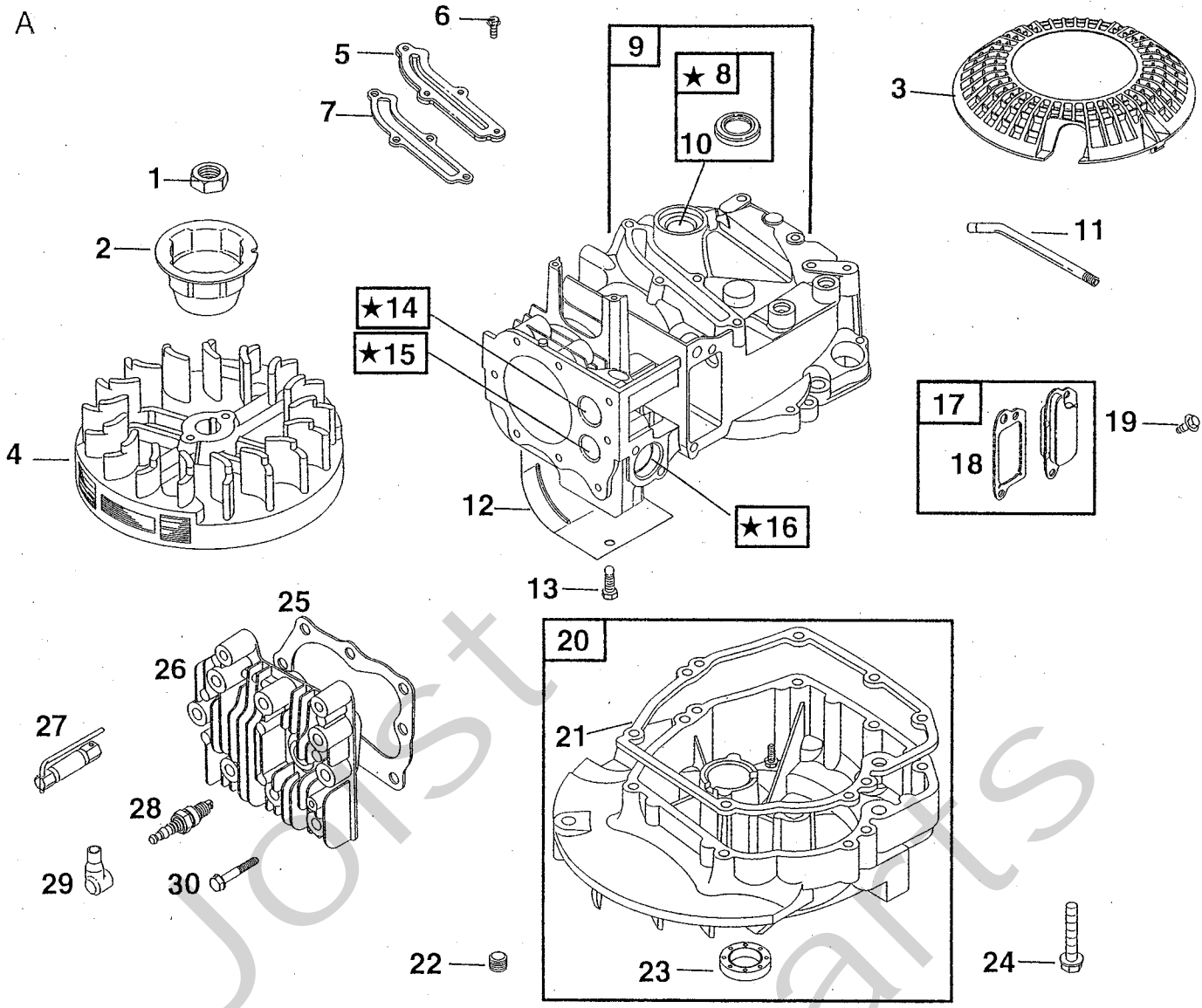


| Utgåva<br>Issue |                     | Bildnr<br>Picture No |                     |                     |                   | BRIGGS & STRATTON<br>12H802, 12H807<br>STARTMOTOR<br>SNÖRSTART |                             | BRIGGS & STRATTON<br>12H802, 12H807<br>STARTER MOTOR<br>REWIND STARTER |                     | Sida<br>Page |  |
|-----------------|---------------------|----------------------|---------------------|---------------------|-------------------|--|-----------------------------|--|---------------------|--------------|--|
| Pos.<br>Fig.    | Antal/Quantity      |                      |                     |                     | Art nr<br>Part No | Benämning  | Description                 | Sats<br>Kit  | Anmärkning<br>Notes |              |  |
|                 | 12H<br>802-<br>1935 | 12H<br>807-<br>1936  | 12H<br>802-<br>1966 | 12H<br>807-<br>1992 |                   |  |                             |  |                     |              |  |
| A01             |                     | 1                    |                     | 1                   | 695550            | Startmotor kpl .....   | Starter motor assy .....    |  |                     |              |  |
| A02             |                     | 1                    |                     | 1                   | 494147            | • Drev kpl .....   | • Drive kit .....           |  |                     |              |  |
| A03             |                     | 1                    |                     | 1                   | 93941             | •• Låsring .....   | •• Retainer .....           |  |                     |              |  |
| A04             |                     | 1                    |                     | 1                   | 691325            | •• Snäckdrev .....   | •• Starter spline .....     |  |                     |              |  |
| A05             |                     | 1                    |                     | 1                   | 691918            | •• Drev .....  | •• Pinion gear .....        |  |                     |              |  |
| A06             |                     | 1                    |                     | 1                   | 692341            | •• Lock .....  | •• Cover .....              |  |                     |              |  |
| A07             |                     | 3                    |                     | 3                   | 690345            | •• Skruv .....   | •• Screw .....              |  |                     |              |  |
| A08             |                     | 1                    |                     | 1                   | 692352            | •• Packning .....  | •• Gasket .....             |  |                     |              |  |
| A09             |                     | 1                    |                     | 1                   | 692358            | •• Koppling .....  | •• Drive clutch .....       |  |                     |              |  |
| A10             |                     | 1                    |                     | 1                   | 691269            | •• Drev .....  | •• Pinion gear .....        |  |                     |              |  |
| A11             |                     | 1                    |                     | 1                   | 690786            | • Rotor .....  | • Starter armature .....    |  |                     |              |  |
| A12             |                     | 1                    |                     | 1                   | 492919            | • Brickor .....  | • Washer set .....          |  |                     |              |  |
| A13             |                     | 2                    |                     | 2                   | 692327            | • Bult .....   | • Bolt .....                |  |                     |              |  |
| A14             |                     | 1                    |                     | 1                   | 695266            | • Starthus .....   | • Starter housing .....     |  |                     |              |  |
| A15             |                     | 1                    |                     | 1                   | 695267            | • Bottenkåpa .....   | • End cap .....             |  |                     |              |  |
| A16             |                     | 1                    |                     | 1                   | 695268            | • Kabeladapter .....   | • Wire adapter .....        |  |                     |              |  |
| A17             |                     | 1                    |                     | 1                   | 690782            | • Lock .....   | • Drive cap .....           |  |                     |              |  |
| A18             |                     | 2                    |                     | 2                   | 691127            | Skruv .....  | Screw .....                 |  |                     |              |  |
| B01             | 1                   | 1                    | 1                   | 1                   | 497680            | Start kpl .....  | Starter assy .....          |  |                     |              |  |
| B02             | 1                   | 1                    | 1                   | 1                   | 691421            | • Starthus .....   | • Starter housing .....     |  |                     |              |  |
| B03             | 4                   | 4                    | 4                   | 4                   | 690837            | • Skruv .....  | • Screw .....               |  |                     |              |  |
| B04             | 4                   | 4                    | 4                   | 4                   | 690800            | • Mutter .....   | • Nut .....                 |  |                     |              |  |
| B05             | 1                   | 1                    | 1                   | 1                   | 281434            | • Starthandtag .....   | • Handle .....              |  |                     |              |  |
| B06             | 1                   | 1                    | 1                   | 1                   | 692259            | • Startsnöre .....   | • Starter rope .....        |  |                     |              |  |
| B06             | 1                   | 1                    | 1                   | 1                   | 697316            | • Startsnöre .....   | • Starter rope .....        |  |                     |              |  |
| B07             | 2                   | 2                    | 2                   | 2                   | 281505            | • Startklo .....   | • Starter pawl .....        |  |                     |              |  |
| B08             | 1                   | 1                    | 1                   | 1                   | 691855            | • Friktionsfjäder .....  | • Friction spring .....     |  |                     |              |  |
| B09             | 1                   | 1                    | 1                   | 1                   | 692299            | • Spärrplatta .....  | • Pawl friction plate ..... |  |                     |              |  |
| B10             | 1                   | 1                    | 1                   | 1                   | 691696            | • Skruv .....  | • Screw .....               |  |                     |              |  |
| B11             | 1                   | 1                    | 1                   | 1                   | 498144            | • Linhjul m. fjäder .....                                      | • Pulley/spring .....       |  |                     |              |  |
| B12             | 1                   | 1                    | 1                   | 1                   | 498144            | • Linhjul m. fjäder .....                                      | • Pulley/spring .....       |  |                     |              |  |

X



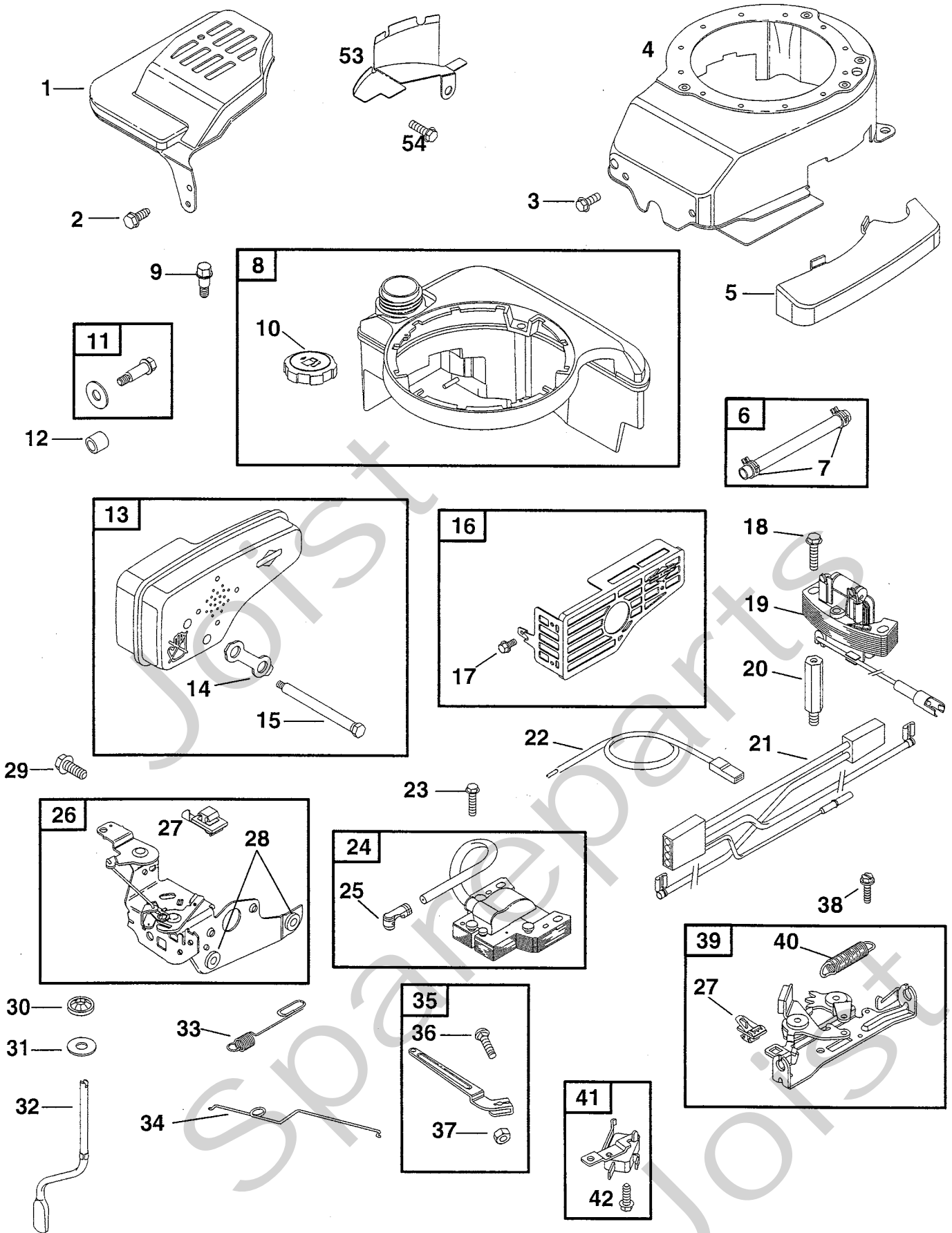
| Utgåva<br>Issue<br>2004-12 |                     | Bildnr<br>Picture No<br>1278A |                     | BRIGGS & STRATTON<br>12H802, 12H807<br>PACKNINGSSATS |                   | BRIGGS & STRATTON<br>12H802, 12H807<br>GASKET SET |                         | Sida<br>Page<br>400 |                     |
|----------------------------|---------------------|-------------------------------|---------------------|--|-------------------|---|-------------------------|---------------------|---------------------|
| Pos.<br>Fig.               | Antal/Quantity      |                               |                     |  | Art nr<br>Part No | Benämning   | Description             | Sats<br>Kit         | Anmärkning<br>Notes |
|                            | 12H<br>802-<br>1935 | 12H<br>807-<br>1936           | 12H<br>802-<br>1966 | 12H<br>807-<br>1992                                  |                   |   |                         |                     |                     |
| A01                        | 1                   | 1                             | 1                   | 1  | 299819            | • Tätningsring .....                              | • Oil seal .....        |                     |                     |
| A03                        | 1                   | 1                             | 1                   | 1  | 399781            | • Tätningsring .....                              | • Oil seal .....        |                     |                     |
| A04                        | 1                   | 1                             | 1                   | 1  | 272653            | • Packning.....                                   | • Gasket .....          |                     |                     |
| A05                        | 1                   | 1                             | 1                   | 1  | 270344            | • Tätning .....                                   | • Seal .....            |                     |                     |
| A06                        | 1                   | 1                             | 1                   | 1  | 493823            | • Distans .....                                   | • Spacer .....          |                     |                     |
| A07                        | 1                   | 1                             | 1                   | 1  | 272199            | • Packning.....                                   | • Gasket .....          |                     |                     |
| A08                        | 1                   | 1                             | 1                   | 1  | 691879            | • Packning.....                                   | • Gasket .....          |                     |                     |
| A09                        | 1                   | 1                             | 1                   | 1  | 691031            | • O- ring.....                                    | • O- ring .....         |                     |                     |
| A10                        | 1                   | 1                             | 1                   | 1  | 692296            | • Tätningsring .....                              | • Tube seal .....       |                     |                     |
| A11                        | 1                   | 1                             | 1                   | 1  | 692232            | • Packning.....                                   | • Gasket .....          |                     |                     |
| A12                        | 1                   | 1                             | 1                   | 1  | 692249            | • Packning.....                                   | • Gasket .....          |                     |                     |
| A14                        | 1                   | 1                             | 1                   | 1  | 691242            | • Flottöraxel.....                                | • Float hinge pin.....  |                     |                     |
| A15                        | 1                   | 1                             | 1                   | 1  | 694468            | • Expansionsbricka.....                           | • Welch plug .....      |                     |                     |
| A16                        | 1                   | 1                             | 1                   | 1  | 398188            | • Bränslenål.....                                 | • Inlet valve .....     |                     |                     |
| A17                        | 1                   | 1                             | 1                   | 1  | 693981            | • Packning.....                                   | • Gasket .....          |                     |                     |
| A18                        | 1                   | 1                             | 1                   | 1  | 271716            | • Tätningsbricka.....                             | • Sealing washer.....   |                     |                     |
| A19                        | 1                   | 1                             | 1                   | 1  | 691321            | • Dammtätning .....                               | • Dust seal .....       |                     |                     |
| A21                        | 1                   | 1                             | 1                   | 1  | 498260            | Rep.sats förgasare.....                           | Carb. overhaul kit..... |                     |                     |
| A22                        | 1                   | 1                             | 1                   | 1  | 498261            | Packn.sats- förg.....                             | Gasket set- carb. ....  |                     |                     |
| A23                        | 1                   | 1                             | 1                   | 1  | 497316            | Packn.sats- motor.....                            | Gasket set- engine..... |                     |                     |



**STIGA**  
1745  
SPARE PARTS

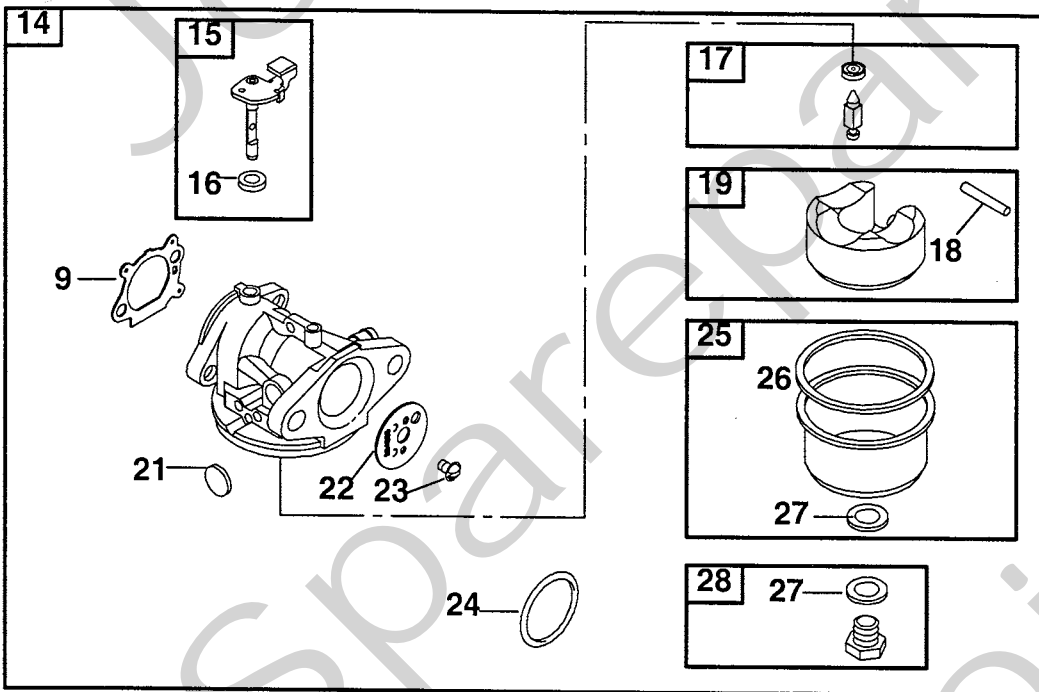
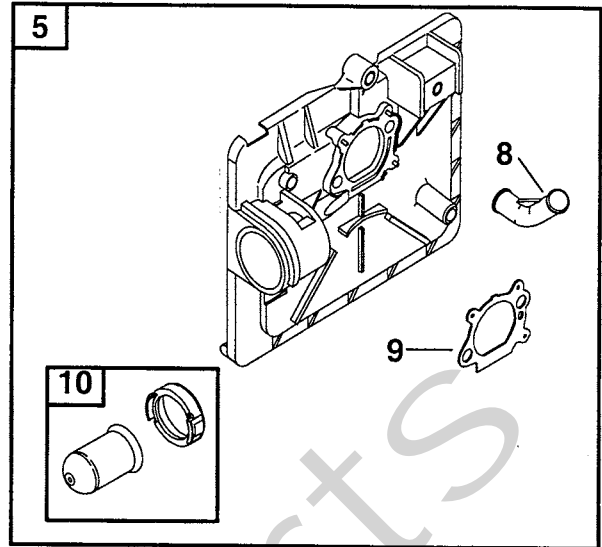
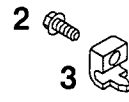
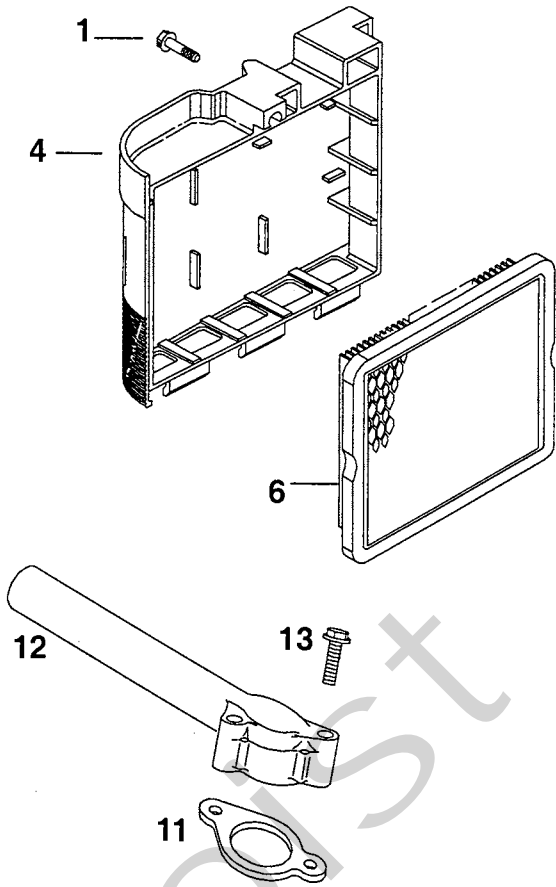
| Utgåva<br>Issue<br>2004-12 |                     | Bildnr<br>Picture No<br>1745 |   | BRIGGS & STRATTON<br>12H802, 12H807<br>CYLINDER<br>VEVAXEL |                               | BRIGGS & STRATTON<br>12H802, 12H807<br>CYLINDER<br>CRANKSHAFT |             | Sida<br>Page<br>402 |
|----------------------------|---------------------|------------------------------|---|--|-------------------------------|---|-------------|---------------------|
| Pos.<br>Fig.               | Antal/Quantity      |                              |   | Art nr<br>Part No  | Benämning                     | Description   | Sats<br>Kit | Anmärkning<br>Notes |
|                            | 12H<br>802-<br>2004 | 12H<br>807-<br>2003          |   |  |                               |   |             |                     |
| X                          | A01                 | 1                            | 1 | 690662   | Mutter.....                   | Flywheel nut.....   |             |                     |
|                            | A02                 | 1                            | 1 | 695161   | Svånghjulskopp.....           | Flywheel cup.....   |             |                     |
|                            | A03                 | 1                            | 1 | 691919   | Skydd.....                    | Rewind guard.....   |             |                     |
|                            | A04                 | 1                            | 1 | 691987   | Svånghjul.....                | Flywheel.....   |             |                     |
|                            | A04                 | 1                            | 1 | 692315   | Svånghjul.....                | Flywheel.....   |             |                     |
|                            | A05                 | 1                            | 1 | 697734   | Lock.....                     | Cover.....  |             |                     |
|                            | A06                 | 4                            | 4 | 690345   | Skruv.....                    | Screw.....  |             |                     |
|                            | A07                 | 1                            | 1 | 691879   | Packning.....                 | Gasket.....   |             |                     |
|                            | A08                 | 1                            | 1 | 399269   | • Bussning.....               | • Bushing.....  |             |                     |
|                            | A09                 | 1                            | 1 | 697322   | Cylinder kpl.....             | Cylinder assy.....  |             |                     |
|                            | A10                 | 1                            | 1 | 299819   | Tätningring.....              | Oil seal.....   |             |                     |
|                            | A11                 | 1                            | 1 | 499675   | Ventilationsrör.....          | Breather tube.....  |             |                     |
|                            | A11                 | 1                            | 1 | 691781   | Ventilationsrör.....          | Breather tube.....  |             |                     |
|                            | A12                 | 1                            | 1 | 690450   | Cylinderskydd.....            | Cylinder shield.....  |             |                     |
|                            | A13                 | 1                            | 1 | 690345   | Skruv.....                    | Screw.....  |             |                     |
|                            | A14                 | 1                            | 1 | 691155   | • Ventilåsa- insug.....       | • Valve seat- intake.....                                     |             |                     |
|                            | A15                 | 1                            | 1 | 690380   | • Ventilåsa- utblås.....      | • Valve seat- exhaust.....                                    |             |                     |
|                            | A16                 | 1                            | 1 | 262001   | • Ventilstyrning- utblås..... | • Valve guide- exhaust.....                                   |             |                     |
|                            | A16                 | 1                            | 1 | 63709  | • Ventilstyrning- insug.....  | • Guide- intake valve.....                                    |             |                     |
|                            | A17                 | 1                            | 1 | 695250   | Vevhusventilation.....        | Breather.....   |             |                     |
| X                          | A18                 | 1                            | 1 | 699472   | • Packning.....               | • Gasket.....   |             |                     |
|                            | A19                 | 2                            | 2 | 691125   | Skruv.....                    | Screw.....  |             |                     |
|                            | A20                 | 1                            | 1 | 493279   | Vevhus.....                   | Engine sump.....  |             |                     |
|                            | A21                 | 1                            | 1 | 692232   | • Packning.....               | • Gasket.....   |             |                     |
|                            | A22                 | 1                            | 1 | 691680   | Oljeavtappningsplugg.....     | Oil drain plug.....   |             |                     |
|                            | A23                 | 1                            | 1 | 399781   | • Tätningring.....            | • Oil seal.....   |             |                     |
|                            | A24                 | 7                            | 7 | 691092   | Skruv.....                    | Screw.....  |             |                     |
|                            | A25                 | 1                            | 1 | 692249   | Packning.....                 | Gasket.....   |             |                     |
|                            | A26                 | 1                            | 1 | 691160   | Topplöck.....                 | Cylinder head.....  |             |                     |
|                            | A27                 | 1                            | 1 | 1111- 9029- 01   | Tändstiftsnyckel.....         | Spark plug wrench.....  |             |                     |
|                            | A28                 | 1                            | 1 | 9400- 0225- 00   | Tändstift.....                | Spark plug.....   |             | Champion J19LM      |
|                            | A29                 | 1                            | 1 | 66538  | Tändstiftsskydd.....          | Spark plug elbow.....   |             |                     |
|                            | A30                 | 8                            | 8 | 690912   | Skruv.....                    | Screw.....  |             |                     |
|                            | B01                 | 1                            | 1 | 692017   | Oljesticka kpl.....           | Oil dipstick assy.....  |             |                     |
|                            | B02                 | 1                            | 1 | 495264   | • Oljesticka.....             | • Oil dipstick.....   |             |                     |
|                            | B03                 | 1                            | 1 | 690940   | Skruv.....                    | Screw.....  |             |                     |
|                            | B04                 | 1                            | 1 | 691031   | • O- ring.....                | • O- ring.....  |             |                     |
|                            | B05                 | 1                            | 1 | 495265   | • Oljepåfyllningsrör.....     | • Oil filler tube.....  |             |                     |
|                            | B06                 | 1                            | 1 | 692296   | • Tätningring.....            | • Tube seal.....  |             |                     |
|                            | B07                 | 1                            | 1 | 499423   | Kolvbult.....                 | Piston pin.....   |             |                     |
|                            | B08                 | 2                            | 2 | 691866   | • Låsring.....                | • Lock ring.....  |             |                     |
| X                          | B09                 | 1                            | 1 | 691451   | Vevaxel.....                  | Crankshaft.....   |             |                     |
|                            | B10                 | 1                            | 1 | 222698   | Kil.....                      | Key.....  |             |                     |
| X                          | B11                 | 1                            | 1 | 790345   | • Drev.....                   | • Timing gear.....  |             |                     |
|                            | B12                 | 1                            | 1 | 499424   | Vevstake.....                 | Connecting rod.....   |             |                     |
|                            | B13                 | 1                            | 1 | 691664   | • Skruv.....                  | • Screw.....  |             |                     |
|                            | B14                 | 1                            | 1 | 695759   | • Skruv.....                  | • Screw.....  |             |                     |
|                            | B15                 | 1                            | 1 | 691449   | Kamaxel.....                  | Camshaft.....   |             |                     |
|                            | B16                 | 1                            | 1 | 691997   | Oljeslångare.....             | Oil slinger.....  |             |                     |
|                            | B17                 | 2                            | 2 | 690548   | Ventilyftare.....             | Valve tappet.....   |             |                     |
|                            | B18                 | 2                            | 2 | 692194   | Ventilhållare.....            | Valve retainer.....   |             |                     |
|                            | B19                 | 1                            | 1 | 691270   | Ventilfjäder.....             | Valve spring.....   |             |                     |
|                            | B20                 | 1                            | 1 | 691270   | Ventilfjäder.....             | Valve spring.....   |             |                     |
|                            | B21                 | 1                            | 1 | 262651   | Utblåsningsventil.....        | Exhaust valve.....  |             |                     |
|                            | B22                 | 1                            | 1 | 262652   | Insugningsventil.....         | Intake valve.....   |             |                     |
| X                          | B23                 | 1                            | 1 | 790359   | Kolv.....                     | Piston.....   |             | Standard            |
| X                          | B24                 | 1                            | 1 | 790360   | • Kolvringssats.....          | • Ring set.....   |             | Standard            |

A



| Utgåva<br>Issue |                     | Bildnr<br>Picture No |   | BRIGGS & STRATTON<br>12H802, 12H807<br>BRÄNSLETANK<br>REGULATOR |                          | BRIGGS & STRATTON<br>12H802, 12H807<br>FUEL TANK<br>GOVERNOR |             | Sida<br>Page        |  |
|-----------------|---------------------|----------------------|---|---|--------------------------|--|-------------|---------------------|--|
| 2004- 12        |                     | 1275                 |   |   |                          |  |             | 404                 |  |
| Pos.<br>Fig.    | Antal/Quantity      |                      |   | Art nr<br>Part No   | Benämning                | Description  | Sats<br>Kit | Anmärkning<br>Notes |  |
|                 | 12H<br>802-<br>2004 | 12H<br>807-<br>2003  |   |   |                          |  |             |                     |  |
|                 | A01                 | 1                    | 1 | 691757  | Lock.....                | Control cover .....  |             |                     |  |
|                 | A02                 |                      | 1 | 690345  | Skruv .....              | Screw .....  |             |                     |  |
|                 | A02                 | 1                    |   | 690664  | Skruv .....              | Screw .....  |             |                     |  |
|                 | A03                 | 4                    | 4 | 691108  | Skruv .....              | Screw .....  |             |                     |  |
|                 | A04                 | 1                    | 1 | 493293  | Fläkthus .....           | Blower housing .....   |             |                     |  |
|                 | A05                 | 1                    | 1 | 690595  | Lock.....                | Brake cover .....  |             |                     |  |
|                 | A06                 | 1                    |   | 691050  | Bränsleslang .....       | Fuel line .....  |             |                     |  |
|                 | A06                 |                      | 1 | 691371  | Bränsleslang .....       | Fuel line .....  |             |                     |  |
|                 | A07                 | 2                    | 2 | 95162   | Slangklämma .....        | Hose clamp .....   |             |                     |  |
| X               | A08                 | 1                    | 1 | 699374  | Bränsletank .....        | Fuel tank .....  |             |                     |  |
|                 | A09                 | 2                    | 2 | 690940  | Skruv .....              | Screw .....  |             |                     |  |
|                 | A10                 | 1                    | 1 | 397974  | • Tanklock .....         | • Fuel cap .....   |             |                     |  |
|                 | A11                 | 1                    | 1 | 692311  | Skruv/bricka .....       | Screw/washer .....   |             |                     |  |
|                 | A12                 | 1                    | 1 | 692294  | Distans .....            | Spacer .....   |             |                     |  |
|                 | A13                 | 1                    | 1 | 692038  | Ljuddämpare .....        | Muffler .....  |             |                     |  |
|                 | A14                 | 1                    | 1 | 691740  | • Låsbleck .....         | • Screw lock .....   |             |                     |  |
|                 | A15                 | 2                    | 2 | 691340  | • Skruv .....            | • Screw .....  |             |                     |  |
| X               | A16                 | 1                    | 1 | 497683  | Skydd .....              | Guard .....  |             |                     |  |
|                 | A17                 | 2                    | 2 | 690664  | • Skruv .....            | • Screw .....  |             |                     |  |
|                 | A18                 |                      | 2 | 692979  | Skruv .....              | Screw .....  |             |                     |  |
|                 | A19                 |                      | 1 | 691991  | Generator .....          | Alternator .....   |             |                     |  |
|                 | A20                 |                      | 2 | 691094  | Pinnbult .....           | Stud .....   |             |                     |  |
|                 | A21                 |                      | 1 | 696547  | Kablage .....            | Wiring harness .....   |             |                     |  |
|                 | A22                 | 1                    | 1 | 692390  | Stoppkabel .....         | Stop wire .....  |             |                     |  |
|                 | A23                 | 2                    | 2 | 691061  | Skruv .....              | Screw .....  |             |                     |  |
|                 | A24                 | 1                    | 1 | 802574  | Tändsystem .....         | Magneto armature .....                                       |             |                     |  |
|                 | A25                 | 1                    | 1 | 493880  | • Anslutningshylsa ..... | • Terminal .....   |             |                     |  |
| X               | A26                 | 1                    | 1 | 790143  | Reglageplåt .....        | Control bracket .....  |             |                     |  |
|                 | A27                 | 2                    | 2 | 692310  | • Stoppkontakt .....     | • Stop switch .....  |             |                     |  |
|                 | A28                 | 1                    | 1 | 493823  | • Distans .....          | • Spacer .....   |             | 2 st/includes 2     |  |
| X               | A29                 | 2                    | 2 | 693399  | Skruv .....              | Screw .....  |             |                     |  |
|                 | A30                 | 1                    | 1 | 690340  | Hållare .....            | Retainer .....   |             |                     |  |
|                 | A31                 | 1                    | 1 | 690272  | Bricka .....             | Washer .....   |             |                     |  |
|                 | A32                 | 1                    | 1 | 698801  | Regulatoraxel .....      | Governor crank .....   |             |                     |  |
|                 | A33                 | 1                    | 1 | 691292  | Regulatorfjäder .....    | Governor spring .....  |             |                     |  |
|                 | A34                 | 1                    | 1 | 691829  | Regulatorlänk .....      | Governor link .....  |             |                     |  |
|                 | A35                 | 1                    | 1 | 690783  | Regulatorarm .....       | Govern. control lever .....                                  |             |                     |  |
|                 | A36                 | 1                    | 1 | 691119  | • Bult .....             | • Bolt .....   |             |                     |  |
|                 | A37                 | 1                    | 1 | 691251  | • Mutter .....           | • Nut .....  |             |                     |  |
|                 | A38                 | 2                    | 2 | 691648  | Skruv .....              | Screw .....  |             |                     |  |
|                 | A39                 | 1                    | 1 | 691994  | Broms .....              | Brake .....  |             |                     |  |
|                 | A40                 | 1                    | 1 | 691831  | • Bromsfjäder .....      | • Brake spring .....   |             |                     |  |
|                 | A41                 |                      | 1 | 499421  | Brytare .....            | Switch .....   |             |                     |  |
|                 | A42                 |                      | 1 | 691627  | • Skruv .....            | • Screw .....  |             |                     |  |
|                 | A53                 | 1                    |   | 694086  | Svånghjulsskydd .....    | Flywheel guard .....   |             |                     |  |
|                 | A54                 | 1                    |   | 691108  | Skruv .....              | Screw .....  |             |                     |  |

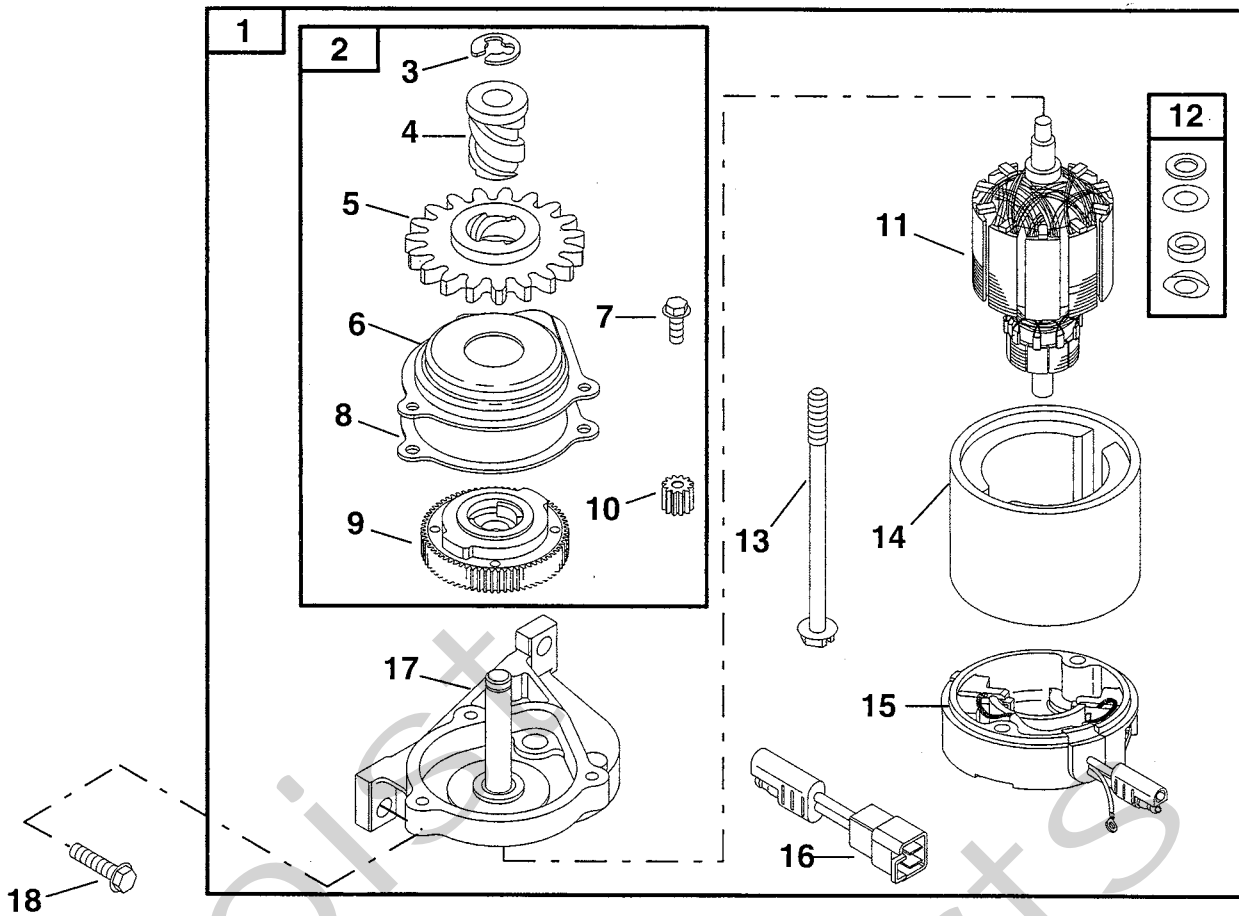
A



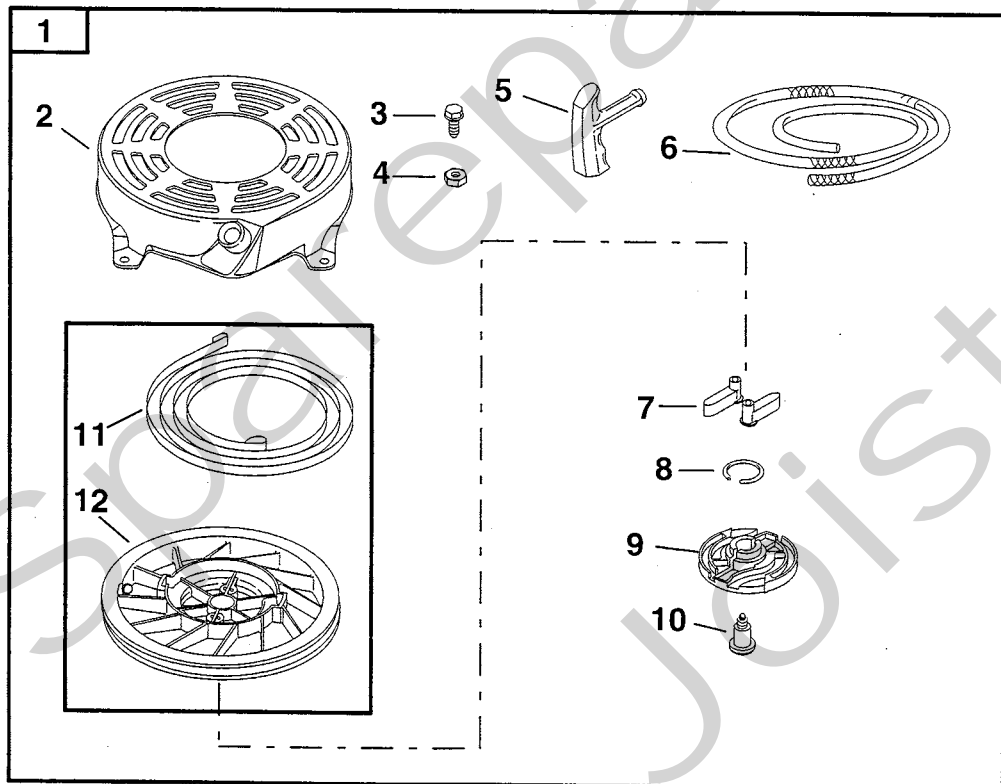


| Utgåva<br>Issue<br>2004-12 |                     | Bildnr<br>Picture No<br>1276B |  | BRIGGS & STRATTON<br>12H802, 12H807<br>LUFTFILTER<br>FÖRGASARE |                          | BRIGGS & STRATTON<br>12H802, 12H807<br>AIR CLEANER<br>CARBURETTOR |             | Sida<br>Page<br>406 |  |
|----------------------------|---------------------|-------------------------------|--|--|--------------------------|---|-------------|---------------------|--|
| Pos.<br>Fig.               | Antal/Quantity      |                               |  | Art nr<br>Part No  | Benämning                | Description   | Sats<br>Kit | Anmärkning<br>Notes |  |
|                            | 12H<br>802-<br>2004 | 12H<br>807-<br>2003           |  |  |                          |   |             |                     |  |
| A01                        | 1                   | 1                             |  | 690670   | Skruv .....              | Screw .....   |             |                     |  |
| A02                        | 1                   | 1                             |  | 691044   | Skruv .....              | Screw .....   |             |                     |  |
| A03                        | 1                   | 1                             |  | 690798   | Wireklämna .....         | Casing clamp .....  |             |                     |  |
| A04                        | 1                   | 1                             |  | 692298   | Luftrenarlock .....      | Air cleaner cover .....   |             |                     |  |
| A05                        | 1                   | 1                             |  | 496116   | Luftrenarfäste .....     | Air cleaner base .....  |             |                     |  |
| A06                        | 1                   | 1                             |  | 491588   | Pappersfilter .....      | Air filter .....  |             |                     |  |
| A07                        | 2                   | 2                             |  | 692523   | Skruv .....              | Screw .....   |             |                     |  |
| A08                        | 1                   | 1                             |  | 691923   | • Hylsa .....            | • Grommet .....   |             |                     |  |
| A09                        | 1                   | 1                             |  | 272653   | • Packning .....         | • Gasket .....  |             |                     |  |
| A10                        | 1                   | 1                             |  | 694395   | • Primer .....           | • Primer .....  |             |                     |  |
| A11                        | 1                   | 1                             |  | 272199   | Packning .....           | Gasket .....  |             |                     |  |
| A12                        | 1                   | 1                             |  | 497465   | Insugningsrör .....      | Intake pipe .....   |             |                     |  |
| A13                        | 2                   | 2                             |  | 691650   | Skruv .....              | Screw .....   |             |                     |  |
| A14                        | 1                   | 1                             |  | 498170   | Förgasare kpl .....      | Carburettor assy .....  |             |                     |  |
| A15                        | 1                   | 1                             |  | 696565   | • Spjällaxel .....       | • Throttle shaft .....  |             |                     |  |
| A16                        | 1                   | 1                             |  | 691321   | •• Dammtätning .....     | •• Dust seal .....  |             |                     |  |
| A17                        | 1                   | 1                             |  | 398188   | • Bränslenål .....       | • Inlet valve .....   |             |                     |  |
| A18                        | 1                   | 1                             |  | 691242   | •• Flottöraxel .....     | •• Float hinge pin .....  |             |                     |  |
| A19                        | 1                   | 1                             |  | 398187   | • Flottör .....          | • Float .....   |             |                     |  |
| A20                        | 2                   | 2                             |  | 692524   | Skruv .....              | Screw .....   |             |                     |  |
| A21                        | 1                   | 1                             |  | 694468   | • Expansionsbricka ..... | • Welch plug .....  |             |                     |  |
| A22                        | 1                   | 1                             |  | 696564   | • Gasspjäll .....        | • Throttle valve .....  |             |                     |  |
| A23                        | 1                   | 1                             |  | 691636   | • Skruv .....            | • Screw .....   |             |                     |  |
| A24                        | 1                   | 1                             |  | 270344   | • Tätning .....          | • Seal .....  |             |                     |  |
| A25                        | 1                   | 1                             |  | 493640   | • Flottörhus .....       | • Bowl .....  |             |                     |  |
| A26                        | 1                   | 1                             |  | 693981   | •• Packning .....        | •• Gasket .....   |             |                     |  |
| A27                        | 1                   | 1                             |  | 271716   | •• Tätningsbricka .....  | •• Sealing washer .....   |             |                     |  |
| A28                        | 1                   | 1                             |  | 498978   | • Huvudmunstycke .....   | • Main jet .....  |             | Standard            |  |
| A29                        | 1                   | 1                             |  | 494870   | Huvudmunstycke .....     | Main jet .....  |             | High altitude       |  |

A



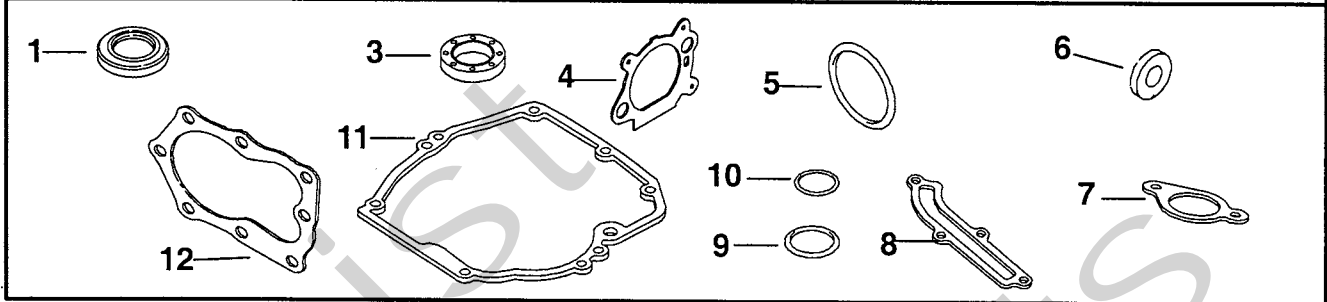
B



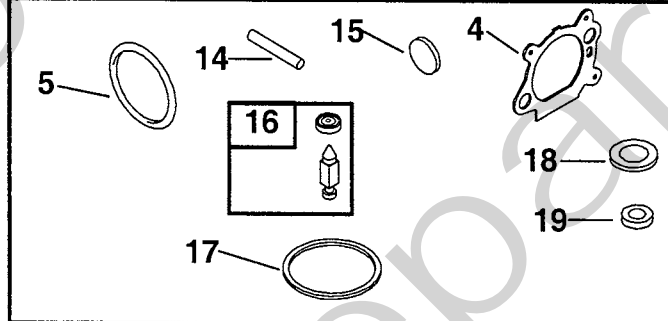
| Utgåva<br>Issue |                     | Bildnr<br>Picture No |  | BRIGGS & STRATTON<br>12H802, 12H807<br>STARTMOTOR<br>SNÖRSTART |                          | BRIGGS & STRATTON<br>12H802, 12H807<br>STARTER MOTOR<br>REWIND STARTER |             | Sida<br>Page        |
|-----------------|---------------------|----------------------|--|--|--------------------------|--|-------------|---------------------|
| Pos.<br>Fig.    | Antal/Quantity      |                      |  | Art nr<br>Part No  | Benämning                | Description  | Sats<br>Kit | Anmärkning<br>Notes |
|                 | 12H<br>802-<br>2004 | 12H<br>807-<br>2003  |  |  |                          |  |             |                     |
| A01             |                     | 1                    |  | 695550   | Startmotor kpl .....     | Starter motor assy .....   |             |                     |
| A02             |                     | 1                    |  | 494147   | • Drev kpl .....         | • Drive kit .....  |             |                     |
| A03             |                     | 1                    |  | 93941  | • • Låsring .....        | • • Retainer .....   |             |                     |
| A04             |                     | 1                    |  | 691325   | • • Snäckdrev .....      | • • Starter spline .....   |             |                     |
| A05             |                     | 1                    |  | 691918   | • • Drev .....           | • • Pinion gear .....  |             |                     |
| A06             |                     | 1                    |  | 692341   | • • Lock .....           | • • Cover .....  |             |                     |
| A07             |                     | 3                    |  | 690345   | • • Skruv .....          | • • Screw .....  |             |                     |
| A08             |                     | 1                    |  | 692352   | • • Packning .....       | • • Gasket .....   |             |                     |
| A09             |                     | 1                    |  | 692358   | • • Koppling .....       | • • Drive clutch .....   |             |                     |
| A10             |                     | 1                    |  | 691269   | • • Drev .....           | • • Pinion gear .....  |             |                     |
| A11             |                     | 1                    |  | 690786   | • Rotor .....            | • Starter armature .....   |             |                     |
| A12             |                     | 1                    |  | 492919   | • Brickor .....          | • Washer set .....   |             |                     |
| A13             |                     | 2                    |  | 692327   | • Bult .....             | • Bolt .....   |             |                     |
| A14             |                     | 1                    |  | 695266   | • Starthus .....         | • Starter housing .....  |             |                     |
| A15             |                     | 1                    |  | 695267   | • Bottenkåpa .....       | • End cap .....  |             |                     |
| A16             |                     | 1                    |  | 695268   | • Kabeladapter .....     | • Wire adapter .....   |             |                     |
| A17             |                     | 1                    |  | 690782   | • Lock .....             | • Drive cap .....  |             |                     |
| A18             |                     | 2                    |  | 691127   | Skruv .....              | Screw .....  |             |                     |
| B01             | 1                   | 1                    |  | 497680   | Start kpl .....          | Starter assy .....   |             |                     |
| B02             | 1                   | 1                    |  | 691421   | • Starthus .....         | • Starter housing .....  |             |                     |
| B03             | 4                   | 4                    |  | 690837   | • Skruv .....            | • Screw .....  |             |                     |
| B04             | 4                   | 4                    |  | 690800   | • Mutter .....           | • Nut .....  |             |                     |
| B05             | 1                   | 1                    |  | 281434   | • Starthandtag .....     | • Handle .....   |             |                     |
| B06             | 1                   | 1                    |  | 697316   | • Startsnöre .....       | • Starter rope .....   |             |                     |
| B07             | 2                   | 2                    |  | 281505   | • Startklo .....         | • Starter pawl .....   |             |                     |
| B08             | 1                   | 1                    |  | 691855   | • Friktionsfjäder .....  | • Friction spring .....  |             |                     |
| B09             | 1                   | 1                    |  | 692299   | • Spärrplatta .....      | • Pawl friction plate .....  |             |                     |
| B10             | 1                   | 1                    |  | 691696   | • Skruv .....            | • Screw .....  |             |                     |
| B11             | 1                   | 1                    |  | 498144   | • Linhjul m.fjäder ..... | • Pulley/spring .....  |             |                     |
| B12             | 1                   | 1                    |  | 498144   | • Linhjul m.fjäder ..... | • Pulley/spring .....  |             |                     |

X

**23 ENGINE GASKET SET**



**21 CARBURETOR OVERHAUL KIT**



**22 CARBURETOR GASKET SET**



| Utgåva<br>Issue |                     | Bildnr<br>Picture No |  | BRIGGS & STRATTON<br>12H802, 12H807<br>PACKNINGSSATS |                          | BRIGGS & STRATTON<br>12H802, 12H807<br>GASKET SET |             | Sida<br>Page        |  |
|-----------------|---------------------|----------------------|--|--|--------------------------|---|-------------|---------------------|--|
| 2004- 12        |                     | 1278A                |  |  |                          |   |             | 410                 |  |
| Pos.<br>Fig.    | Antal/Quantity      |                      |  | Art nr<br>Part No                                    | Benämning                | Description                                       | Sats<br>Kit | Anmärkning<br>Notes |  |
|                 | 12H<br>802-<br>2004 | 12H<br>807-<br>2003  |  |  |                          |   |             |                     |  |
| A01             | 1                   | 1                    |  | 299819   | • Tätningsring .....     | • Oil seal .....                                  |             |                     |  |
| A03             | 1                   | 1                    |  | 399781   | • Tätningsring .....     | • Oil seal .....                                  |             |                     |  |
| A04             | 1                   | 1                    |  | 272653   | • Packning .....         | • Gasket .....                                    |             |                     |  |
| A05             | 1                   | 1                    |  | 270344   | • Tätning .....          | • Seal .....                                      |             |                     |  |
| A06             | 1                   | 1                    |  | 493823   | • Distans .....          | • Spacer .....                                    |             |                     |  |
| A07             | 1                   | 1                    |  | 272199   | • Packning .....         | • Gasket .....                                    |             |                     |  |
| A08             | 1                   | 1                    |  | 691879   | • Packning .....         | • Gasket .....                                    |             |                     |  |
| A09             | 1                   | 1                    |  | 691031   | • O- ring .....          | • O- ring .....                                   |             |                     |  |
| A10             | 1                   | 1                    |  | 692296   | • Tätningsring .....     | • Tube seal .....                                 |             |                     |  |
| A11             | 1                   | 1                    |  | 692232   | • Packning .....         | • Gasket .....                                    |             |                     |  |
| A12             | 1                   | 1                    |  | 692249   | • Packning .....         | • Gasket .....                                    |             |                     |  |
| A14             | 1                   | 1                    |  | 691242   | • Flottöaxel .....       | • Float hinge pin .....                           |             |                     |  |
| A15             | 1                   | 1                    |  | 694468   | • Expansionsbricka ..... | • Welch plug .....                                |             |                     |  |
| A16             | 1                   | 1                    |  | 398188   | • Bränslenål .....       | • Inlet valve .....                               |             |                     |  |
| A17             | 1                   | 1                    |  | 693981   | • Packning .....         | • Gasket .....                                    |             |                     |  |
| A18             | 1                   | 1                    |  | 271716   | • Tätningsbricka .....   | • Sealing washer .....                            |             |                     |  |
| A19             | 1                   | 1                    |  | 691321   | • Dammtätning .....      | • Dust seal .....                                 |             |                     |  |
| A21             | 1                   | 1                    |  | 498260   | Rep.sats förgasare ..... | Carb. overhaul kit .....                          |             |                     |  |
| A22             | 1                   | 1                    |  | 498261   | Packn.sats- förg. ....   | Gasket set- carb. ....                            |             |                     |  |
| A23             | 1                   | 1                    |  | 497316   | Packn.sats- motor .....  | Gasket set- engine .....                          |             |                     |  |