

# Genuine Spare Parts

www.stiga.com

## TURBO PRO 55 S4 Model Year 2012

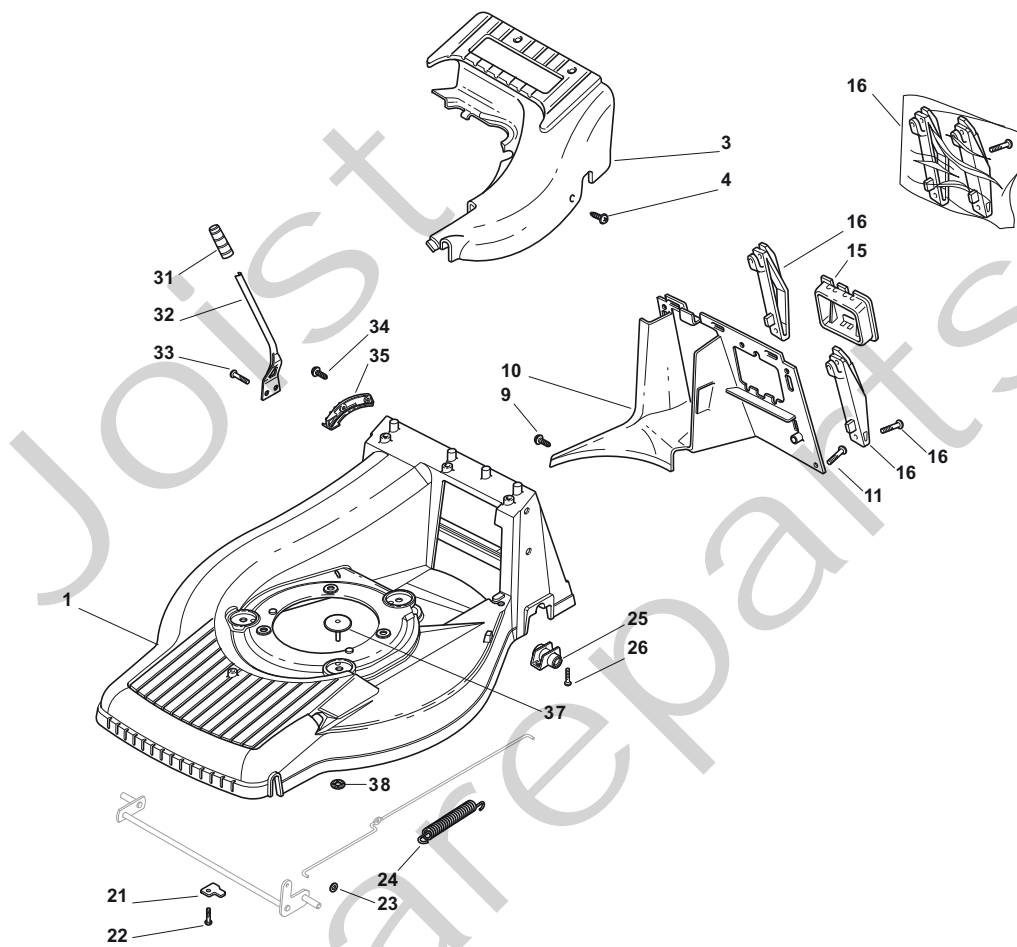
- Use GLOBAL GARDEN PRODUCT Genuine Spare Parts specified in the parts list for repair and/or replacement.
- The contents described in the parts list may change due to improvement.
- The drawings of the spare parts are only indicative and might not represent the part in question exactly.
- The indications "right" - "left" - "front" - "rear" refer to the position of the operator when using the machine.
- When placing orders of parts for repair and/or replacement, make sure that the illustrated parts list is the one applying to the machine's year of manufacture, as shown on the identification plate attached to the machine.

© Copyright 2012 Global Garden Products

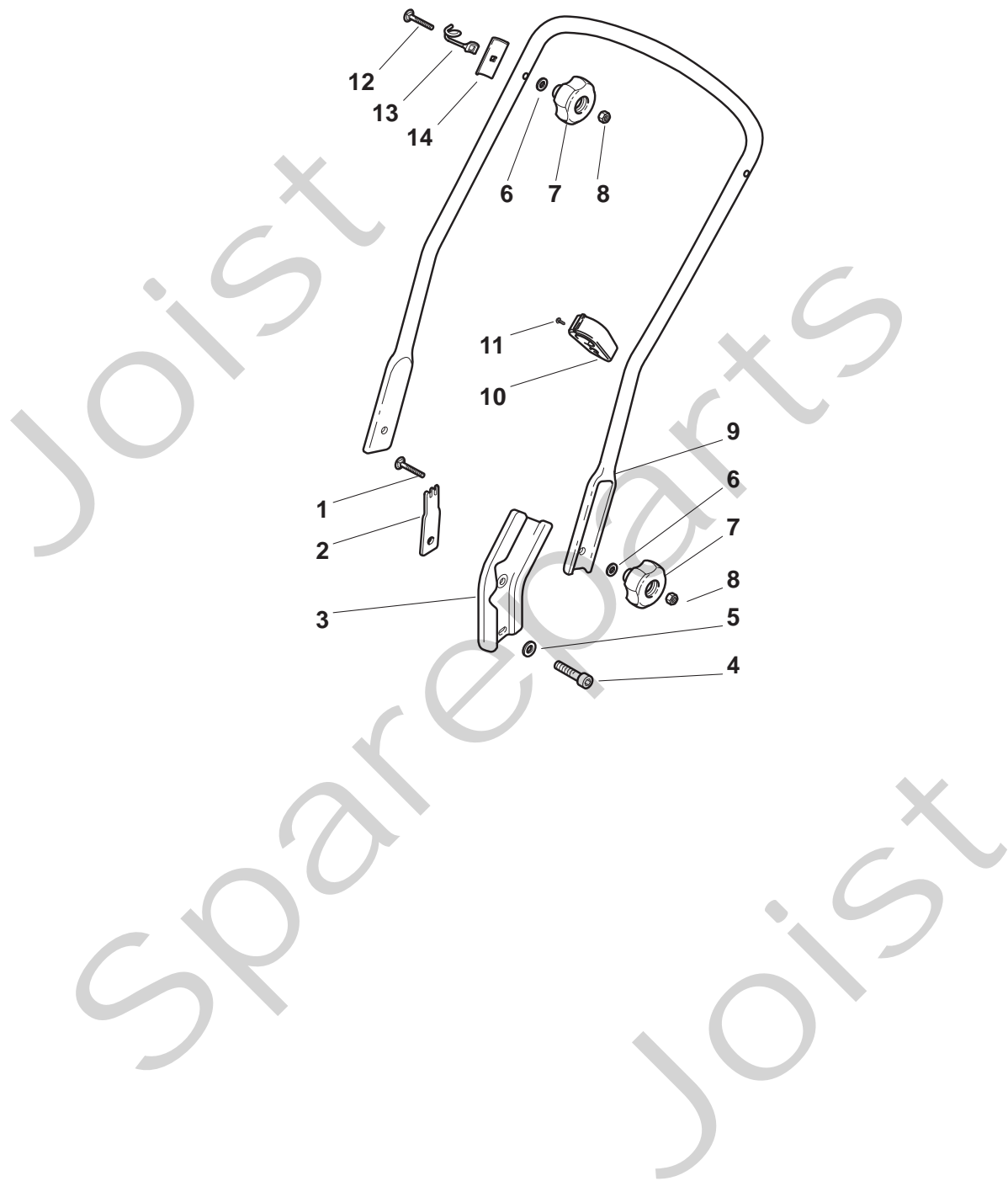
All content is subject to copyright by Global Garden Products and may not be reproduced in whole or in part by any means, electronic or otherwise, without prior written approval.

THIS INFORMATION IS NOT INTENDED FOR SALE OR RESALE, AND THIS NOTICE MUST REMAIN ON ALL COPIES.

**STIGA**®

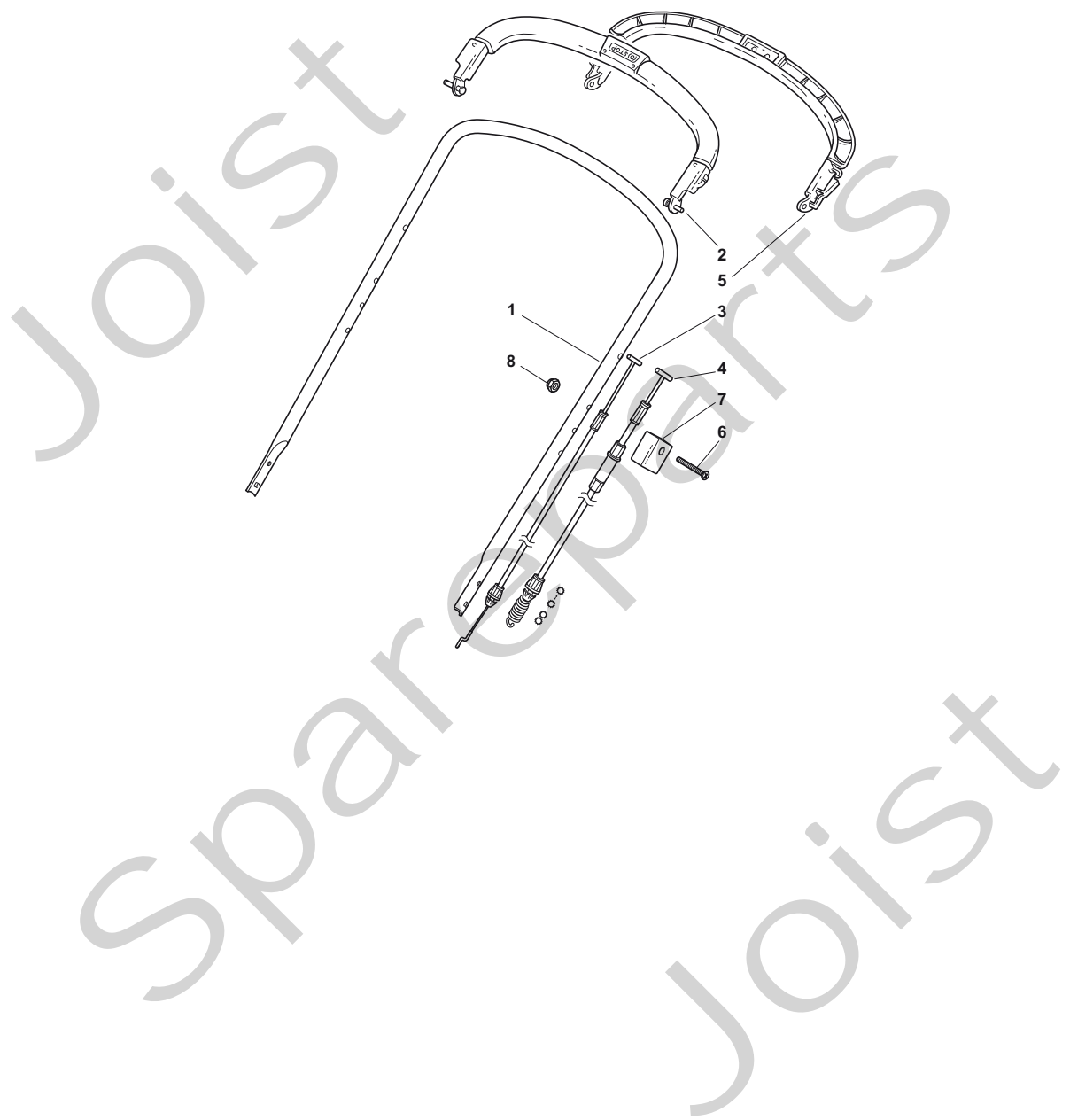


| Position | Part No.   | Q.Ty | Description               |
|----------|------------|------|---------------------------|
| 1        | 81002660/0 | 1    | Deck Yellow               |
| 3        | 22060154/0 | 1    | Protection, Yellow        |
| 4        | 12728300/0 | 3    | Screw                     |
| 9        | 12728300/0 | 1    | Screw                     |
| 10       | 22108277/0 | 1    | Rear Conveyor Assy        |
| 11       | 12735664/0 | 3    | Screw                     |
| 15       | 22109531/0 | 1    | Cover                     |
| 16       | 81008658/1 | 1    | Outfit, Supports          |
| 21       | 22545160/0 | 2    | Plate                     |
| 22       | 12735664/0 | 2    | Screw                     |
| 23       | 12604898/0 | 2    | Crown Fastener            |
| 24       | 22446181/0 | 1    | Spring                    |
| 25       | 22785153/0 | 2    | Screw                     |
| 26       | 12735664/0 | 4    | Support, Gear Box         |
| 31       | 22399808/0 | 1    | Knob                      |
| 32       | 22321515/0 | 1    | Lever, Height Adjustment  |
| 33       | 12735661/0 | 2    | Screw                     |
| 34       | 12728300/0 | 2    | Screw                     |
| 35       | 22735563/0 | 1    | Sector, Height Adjustment |
| 38       | 12604899/0 | 1    | Crown Fastener            |



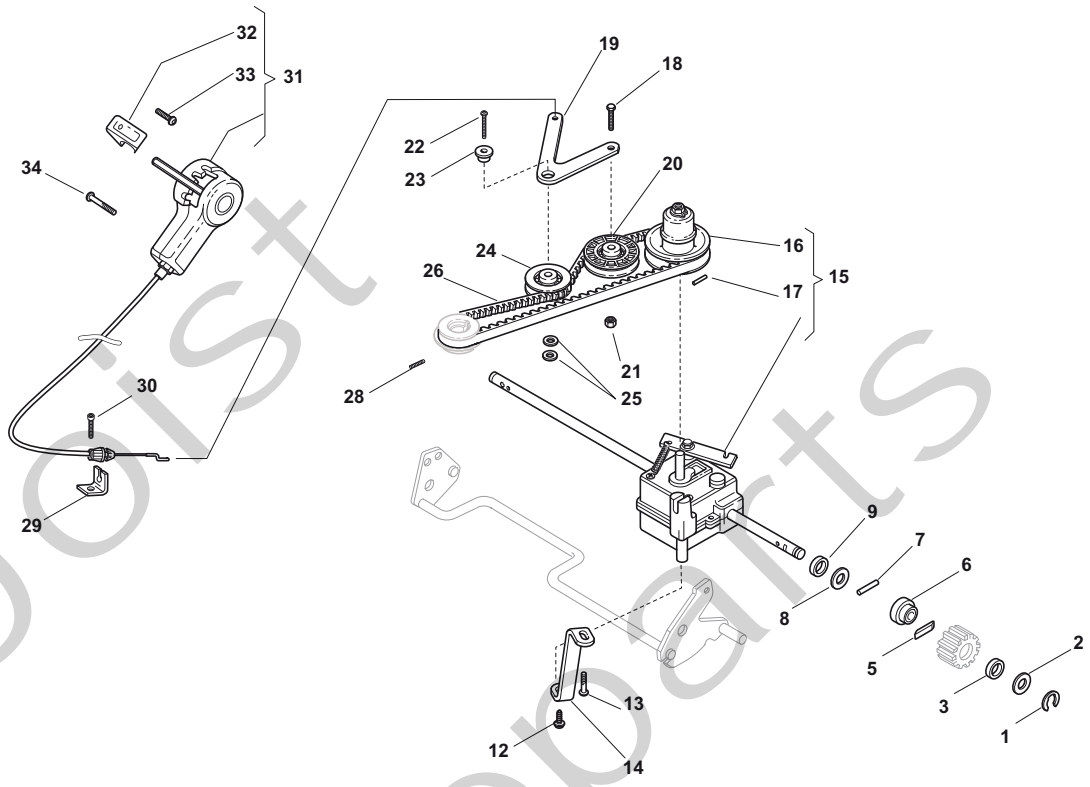
| Position | Part No.   | Q.Ty | Description                |
|----------|------------|------|----------------------------|
| 1        | 12820655/0 | 2    | Screw                      |
| 2        | 22551635/0 | 1    | Plate For Handle           |
| 3        | 22778405/0 | 2    | Support                    |
| 4        | 12760515/0 | 2    | Screw                      |
| 5        | 12521350/0 | 2    | Washer                     |
| 6        | 12521350/0 | 4    | Washer                     |
| 7        | 22399810/0 | 4    | Knob                       |
| 8        | 12361005/0 | 4    | Nut                        |
| 9        | 81006613/0 | 1    | Handle, Lower Part         |
| 10       | 22192001/0 | 1    | Anchor Clamp               |
| 11       | 12728691/0 | 1    | Screw                      |
| 12       | 12820655/0 | 2    | Screw                      |
| 13       | 22430311/0 | 1    | Guide Spring               |
| 14       | 22545137/0 | 2    | Plate For Handle Fastening |

Joist  
Spareparts  
Joist



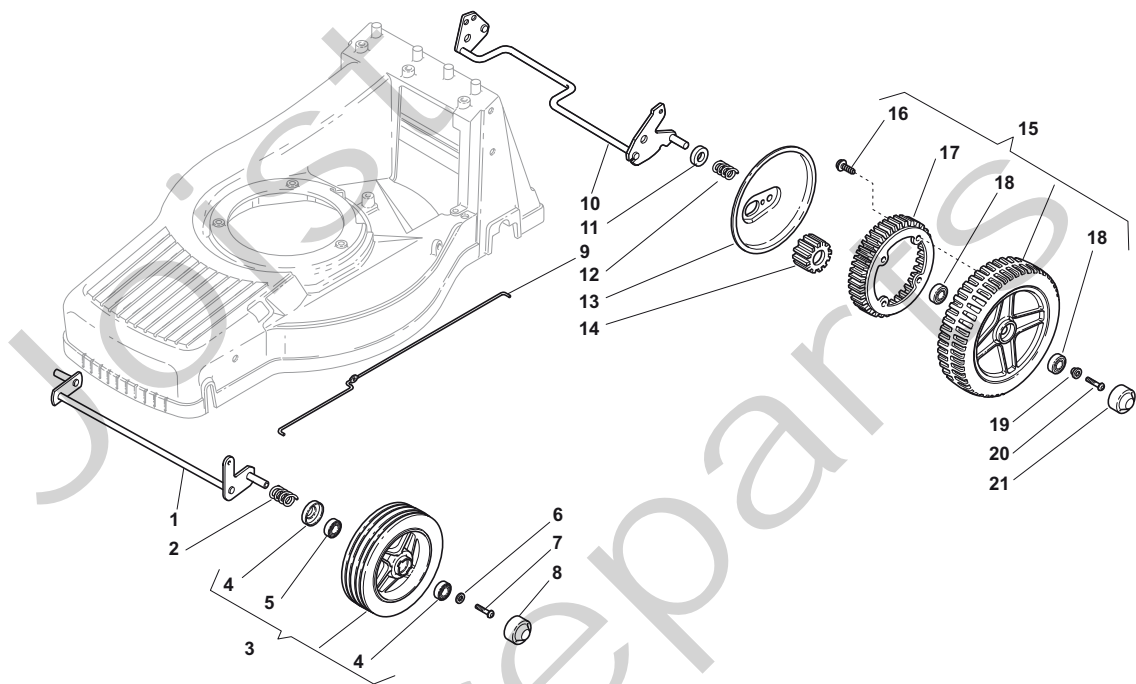
| Position | Part No.    | Q.Ty | Description                |
|----------|-------------|------|----------------------------|
| 1        | 81006618/1  | 1    | Handle, Upper Part         |
| 2        | 381003330/0 | 1    | Lever, Engine Brake        |
| 3        | 181030061/0 | 1    | Cable, Thread Engine Brake |
| 4        | 81000697/0  | 1    | Cable, Rear Drive          |
| 5        | 81003297/1  | 1    | Driving Lever              |
| 6        | 12727783/0  | 1    | Screw                      |
| 7        | 22551640/0  | 1    | Plate                      |
| 8        | 12154510/0  | 1    | Nut                        |

Joist  
Spareparts  
Joist

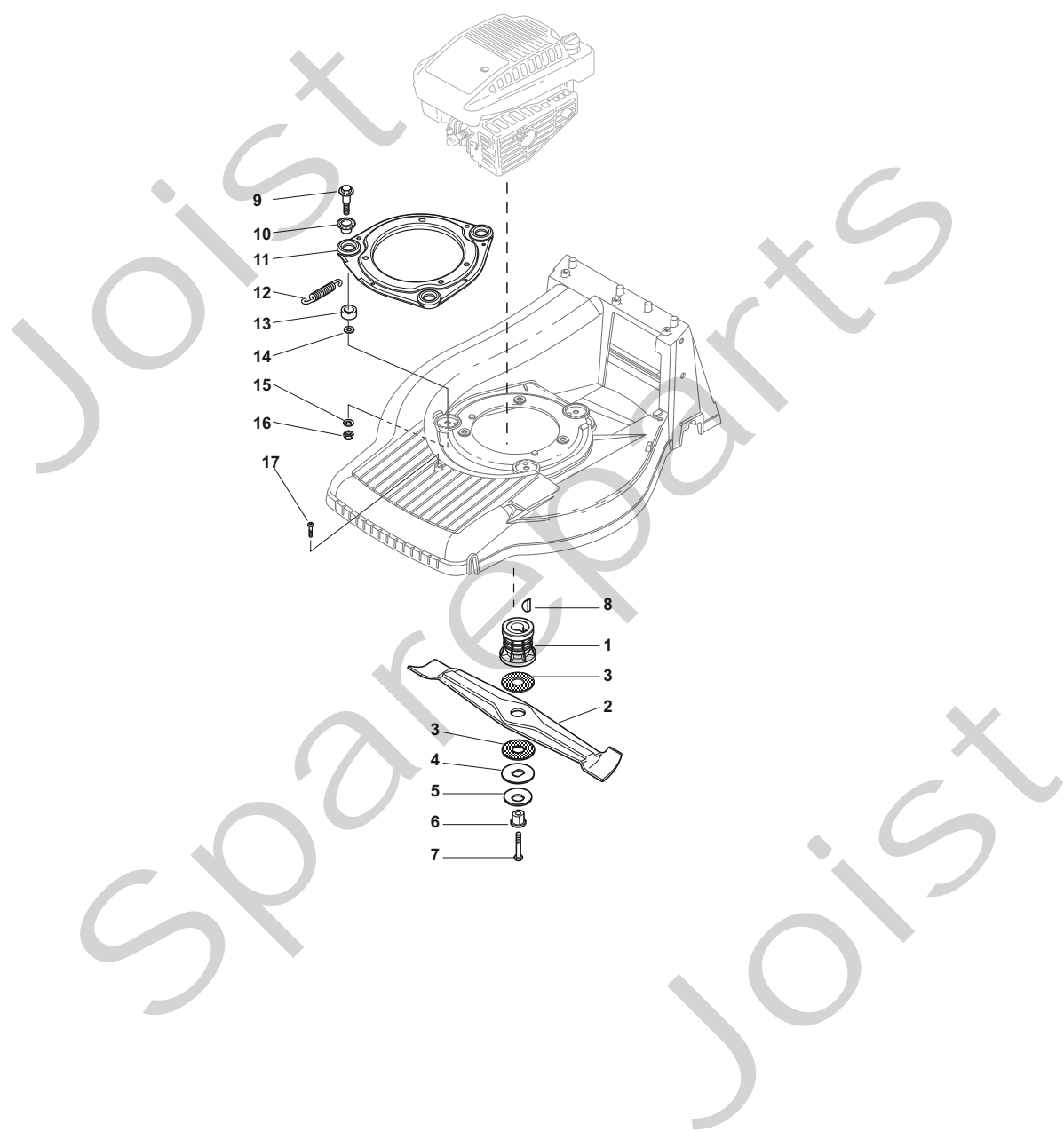




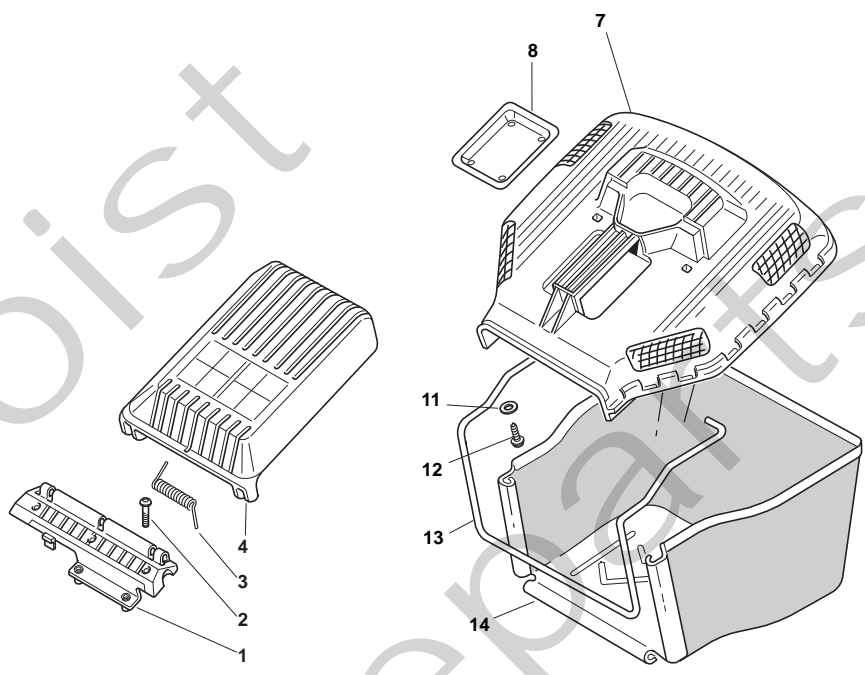
| Position | Part No.   | Q.Ty | Description                |
|----------|------------|------|----------------------------|
| 1        | 12000957/0 | 2    | Benzing                    |
| 2        | 12520032/0 | 2    | Washer                     |
| 3        | 22160520/0 | 2    | Dust Cover                 |
| 5        | 22076645/0 | 2    | Key                        |
| 6        | 22170630/0 | 2    | Spacer                     |
| 7        | 22753002/0 | 2    | Pin                        |
| 8        | 12520032/0 | 2    | Washer                     |
| 9        | 19035152/0 | 2    | Or Ring                    |
| 12       | 12728300/0 | 1    | Screw                      |
| 13       | 12735664/0 | 1    | Screw                      |
| 14       | 22778407/0 | 1    | Support                    |
| 15       | 81003086/0 | 1    | Gear Box                   |
| 16       | 22601916/0 | 1    | Pulley                     |
| 17       | 12645700/0 | 1    | Pin                        |
| 18       | 12674550/0 | 1    | Screw                      |
| 19       | 22320003/0 | 1    | Driving Lever              |
| 20       | 22601914/0 | 1    | Pulley                     |
| 21       | 12154510/0 | 1    | Nut                        |
| 22       | 12735669/0 | 1    | Screw                      |
| 23       | 22671656/0 | 1    | Washer                     |
| 24       | 22601915/0 | 1    | Pulley                     |
| 25       | 12523040/0 | 2    | Washer                     |
| 26       | 35064383/0 | 1    | Belt Xpz Lp 737            |
| 28       | 12714312/0 | 1    | Dowel                      |
| 29       | 22806619/0 | 1    | Support                    |
| 30       | 12735664/0 | 1    | Screw                      |
| 31       | 81007098/0 | 1    | Cable, Speed Drive Control |
| 32       | 22399809/0 | 1    | Knob                       |
| 33       | 12728300/0 | 2    | Screw                      |
| 34       | 12728702/0 | 2    | Screw                      |



| Position | Part No.    | Q.Ty | Description                    |
|----------|-------------|------|--------------------------------|
| 1        | 81002825/0  | 1    | Axle, Front Wheels             |
| 2        | 22430210/0  | 2    | Spring                         |
| 3        | 381007364/0 | 2    | Wheel Ø 190                    |
| 4        | 22160522/0  | 2    | Dust Cover                     |
| 5        | 19216039/0  | 4    | Bearing                        |
| 6        | 12521460/0  | 2    | Washer                         |
| 7        | 112735662/1 | 2    | Screw                          |
| 8        | 22110379/0  | 2    | Hub Cap                        |
| 9        | 22033324/0  | 1    | Rod, Height Adjustment Control |
| 10       | 81002823/0  | 1    | Axle, Rear Wheels              |
| 11       | 22170810/0  | 2    | Spacer                         |
| 12       | 22430215/0  | 2    | Spring                         |
| 13       | 22600127/0  | 2    | Protection, Wheel              |
| 14       | 22570126/0  | 2    | Pinion                         |
| 15       | 81007368/0  | 2    | Wheel Ø 215                    |
| 16       | 12728210/0  | 8    | Screw                          |
| 17       | 22120108/0  | 2    | Ring Gear                      |
| 18       | 19216038/0  | 4    | Bearing                        |
| 19       | 22671655/0  | 2    | Washer                         |
| 20       | 12735592/0  | 2    | Screw                          |
| 21       | 22110380/0  | 2    | Hub Cap                        |



| Position | Part No.    | Q.Ty | Description                      |
|----------|-------------|------|----------------------------------|
| 1        | 122465637/0 | 1    | Hub With Pulley, Crankshaft Ø 25 |
| 2        | 81004134/0  | 1    | Blade Winged                     |
| 3        | 22672111/0  | 2    | Clutch Washer                    |
| 4        | 22672105/0  | 1    | Washer                           |
| 5        | 12508120/0  | 1    | Cupped Spring                    |
| 6        | 22041940/0  | 1    | Clutch Bush                      |
| 7        | 12736825/0  | 1    | Screw                            |
| 8        | 12139150/0  | 1    | Feather, Crankshaft Ø 25         |
| 9        | 22524329/0  | 3    | Pin                              |
| 10       | 22672201/0  | 3    | Washer                           |
| 11       | 22207225/0  | 1    | Flange                           |
| 12       | 22450445/0  | 1    | Spring                           |
| 13       | 22250012/0  | 3    | Grommet                          |
| 14       | 22671651/0  | 3    | Washer                           |
| 15       | 12523060/0  | 3    | Washer                           |
| 16       | 12155000/0  | 3    | Nut                              |
| 17       | 12735661/0  | 1    | Screw                            |



| Position | Part No.    | Q.Ty | Description           |
|----------|-------------|------|-----------------------|
| 1        | 22785157/0  | 1    | Support, Yellow       |
| 2        | 12735664/0  | 3    | Screw                 |
| 3        | 22450430/0  | 1    | Spring                |
| 4        | 322600069/2 | 1    | Stone-Guard, Yellow   |
| 7        | 22486095/0  | 1    | Grass-Box, Upper Part |
| 8        | 22486098/0  | 1    | Plate                 |
| 11       | 12521460/0  | 2    | Washer                |
| 12       | 12728300/0  | 2    | Screw                 |
| 13       | 22608528/0  | 1    | Stiffening Lower      |
| 14       | 81002235/0  | 1    | Box, Fabric           |