

# Genuine Spare Parts

www.stiga.com

## TURBO POWER 53 SH Model Year 2012

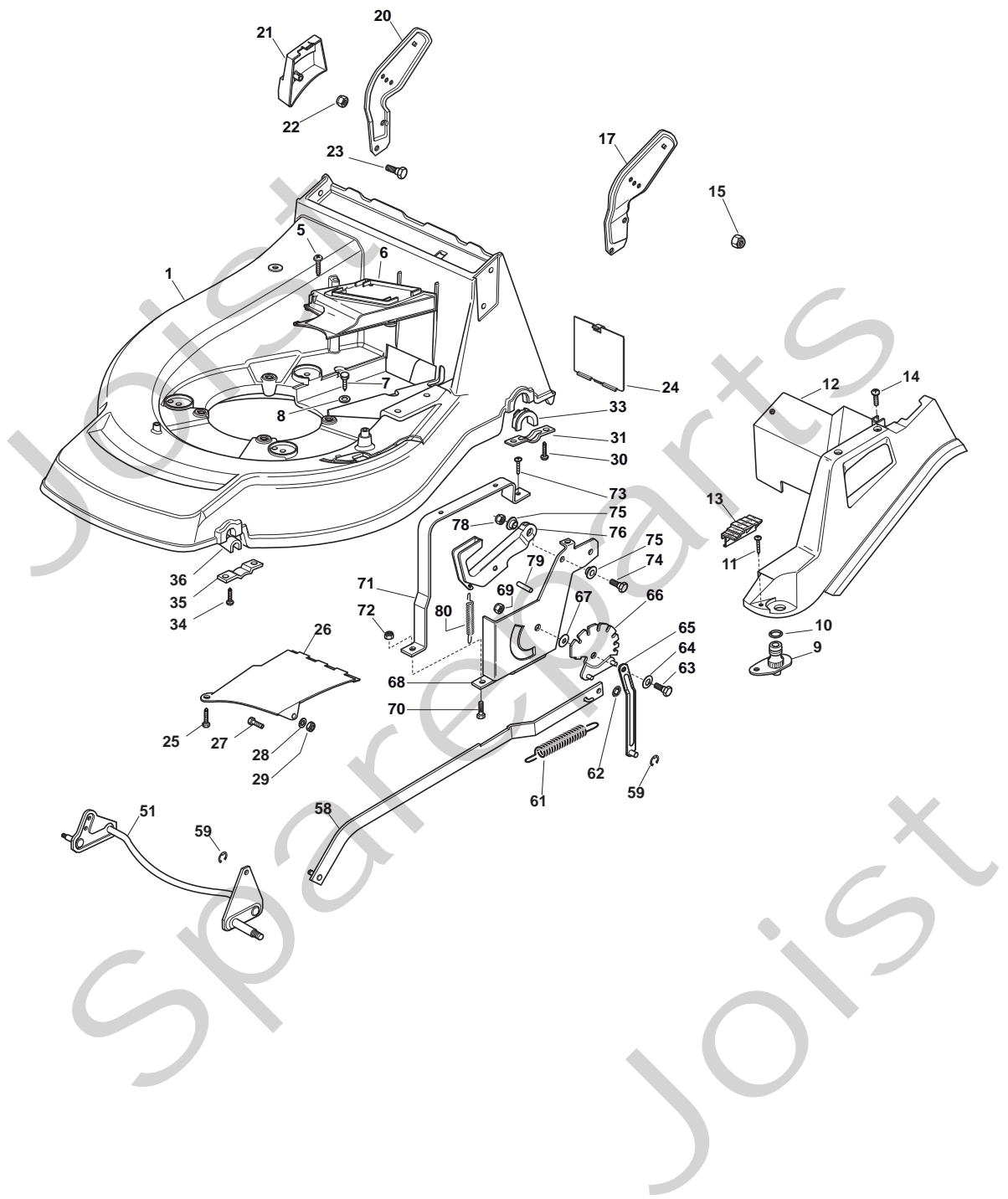
- Use GLOBAL GARDEN PRODUCT Genuine Spare Parts specified in the parts list for repair and/or replacement.
- The contents described in the parts list may change due to improvement.
- The drawings of the spare parts are only indicative and might not represent the part in question exactly.
- The indications "right" - "left" - "front" - "rear" refer to the position of the operator when using the machine.
- When placing orders of parts for repair and/or replacement, make sure that the illustrated parts list is the one applying to the machine's year of manufacture, as shown on the identification plate attached to the machine.

© Copyright 2012 Global Garden Products

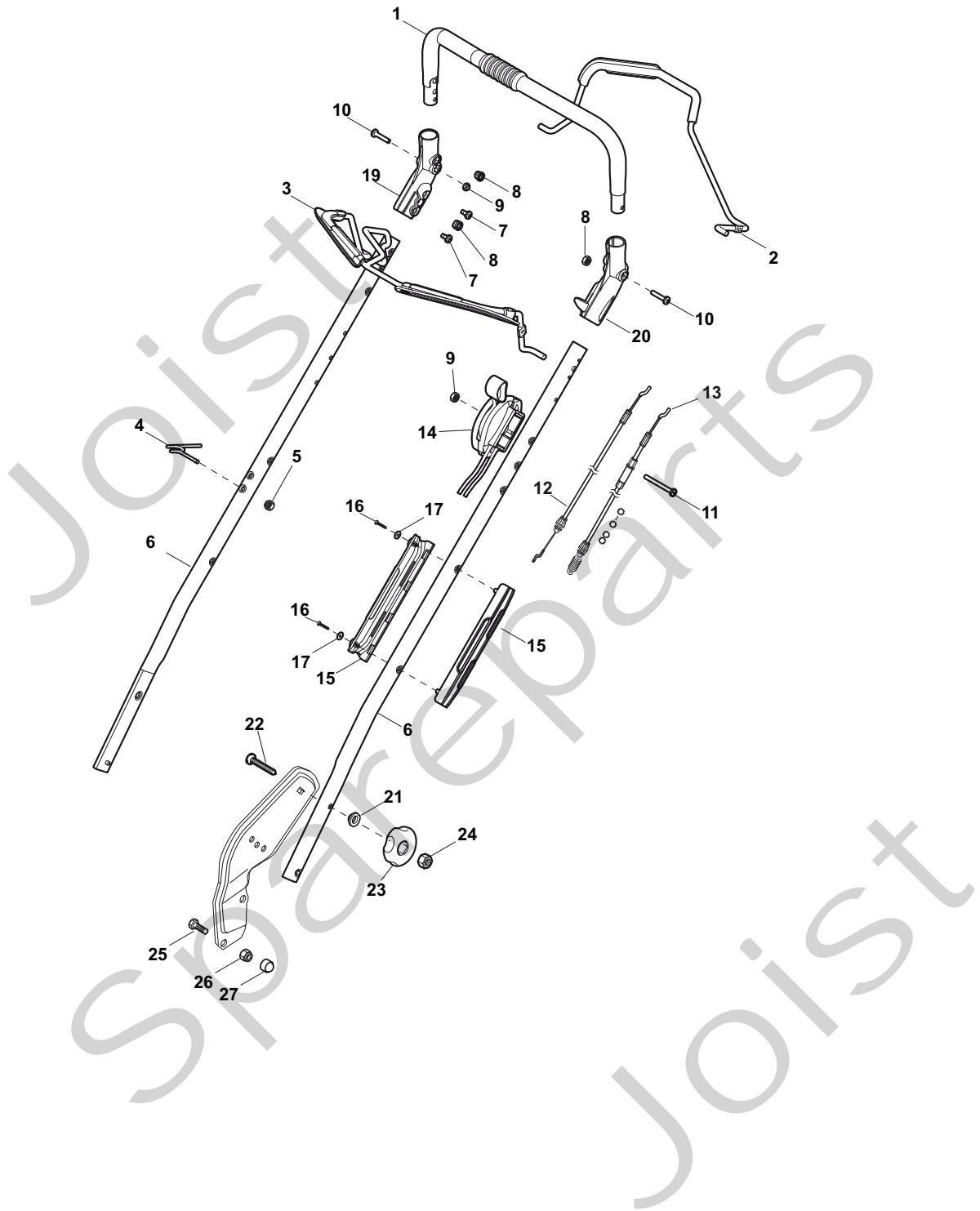
All content is subject to copyright by Global Garden Products and may not be reproduced in whole or in part by any means, electronic or otherwise, without prior written approval.

THIS INFORMATION IS NOT INTENDED FOR SALE OR RESALE, AND THIS NOTICE MUST REMAIN ON ALL COPIES.

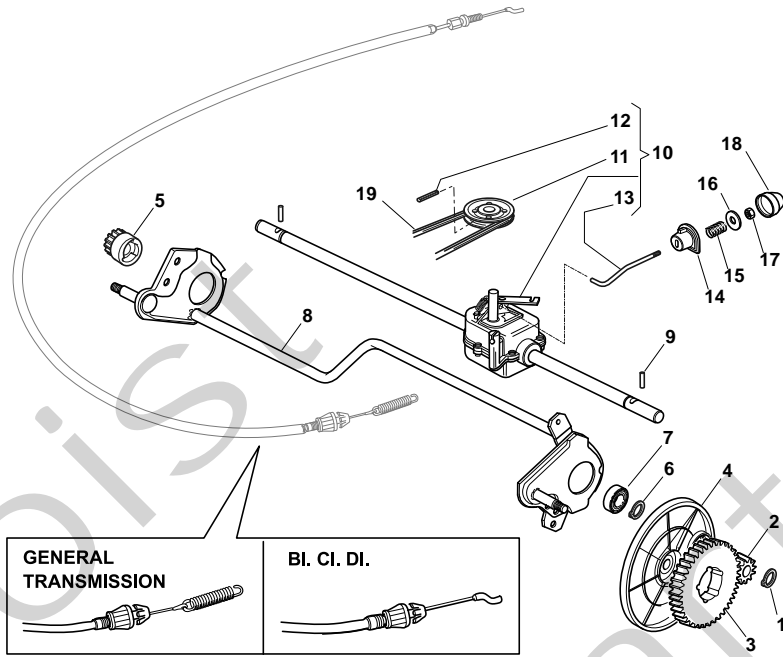
**STIGA**®



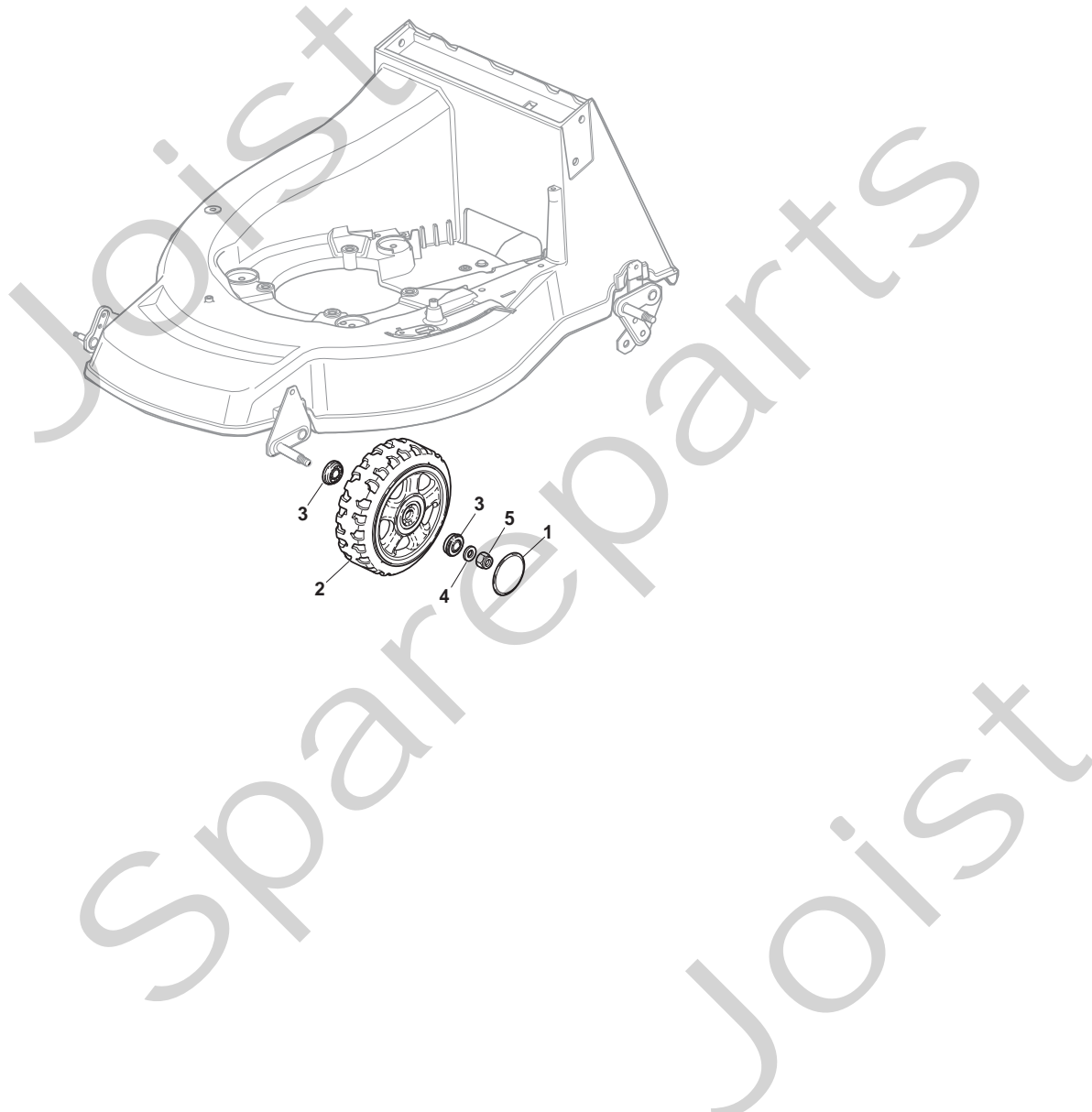
Position	Part No.	Q.Ty	Description
1	381003543/1	1	Deck Red
5	12728522/0	2	Screw
6	22060200/1	1	Protection, Belt
7	12729600/0	1	Screw
8	12523040/0	2	Washer
9	22034000/0	1	Washing Connection
10	19035000/0	1	Or Ring
11	12728519/0	3	Screw
12	322060144/3	1	Deck, Adjustment
13	22570200/0	1	Plate, Cutting Positions
14	12728520/0	1	Screw
15	12155000/0	2	Nut
17	22778397/1	1	Bracket, L
20	22778396/1	1	Bracket, R
21	22601001/0	1	Protection
22	12155000/0	2	Nut
23	12793301/0	2	Screw
24	22595352/0	1	Inspection Door
25	12729600/0	1	Screw
26	22108205/0	1	Conveyor
27	12789000/0	1	Screw
28	12523020/0	1	Washer
29	12154330/0	1	Nut
30	12731350/0	4	Screw
31	22545147/0	2	Plate
33	22038407/0	2	Brass
34	12731350/0	4	Screw
35	22545156/0	2	Plate
36	22038400/1	2	Brass
51	381002865/1	1	Axle, Front Wheels
58	381002040/1	1	Rod, Height Adjustment
59	12000930/0	2	Snap Ring
61	122446187/0	1	Spring
62	12604899/0	2	Crown Fastener
63	22529662/0	1	Fulcrum Pin
64	22672151/0	1	Washer
65	81001269/0	1	Rod, Rear Wheels Axle
66	381000479/2	1	Sector, Height Adjustment
67	22672152/0	1	Washer
68	22785109/0	1	Support, Height Adjustment
69	12293201/0	1	Nut
70	12793301/0	2	Screw
71	22785113/0	1	Support, Handle
72	12293201/0	2	Nut
73	12729600/0	1	Screw
74	12793301/0	1	Screw
75	25038002/1	2	Bush
76	322393611/2	1	Handle
78	12293201/0	1	Nut
79	12622640/0	1	Pin
80	22446175/0	1	Spring



Position	Part No.	Q.Ty	Description
1	381006670/2	1	Handgrip
2	381003349/0	1	Lever, Driving
3	381003344/0	1	Lever, Engine Brake
4	22430309/0	1	Guide Spring
5	12154330/0	1	Nut
6	381007046/0	2	Handle Black, R
7	112735662/1	4	Screw
8	322041967/0	4	Bush
9	12154510/0	3	Nut
10	112728721/0	2	Screw
11	12727786/0	1	Screw
12	181030077/0	1	Cable, Thread Eng. Brake
13	381030078/0	1	Cable, Rear Drive
14	181007199/0	1	Throttle Cable
15	322806644/0	2	Protection
16	12727812/0	2	Screw
17	112523000/1	2	Washer
19	322488301/0	1	Support , R
20	322488303/0	1	Support, L
21	122671651/0	2	Washer
22	112819105/0	2	Screw
23	322399804/1	2	Knob
24	12293200/0	2	Nut
25	112793301/0	2	Screw
26	112155000/0	2	Nut
27	18203854/0	2	Protection



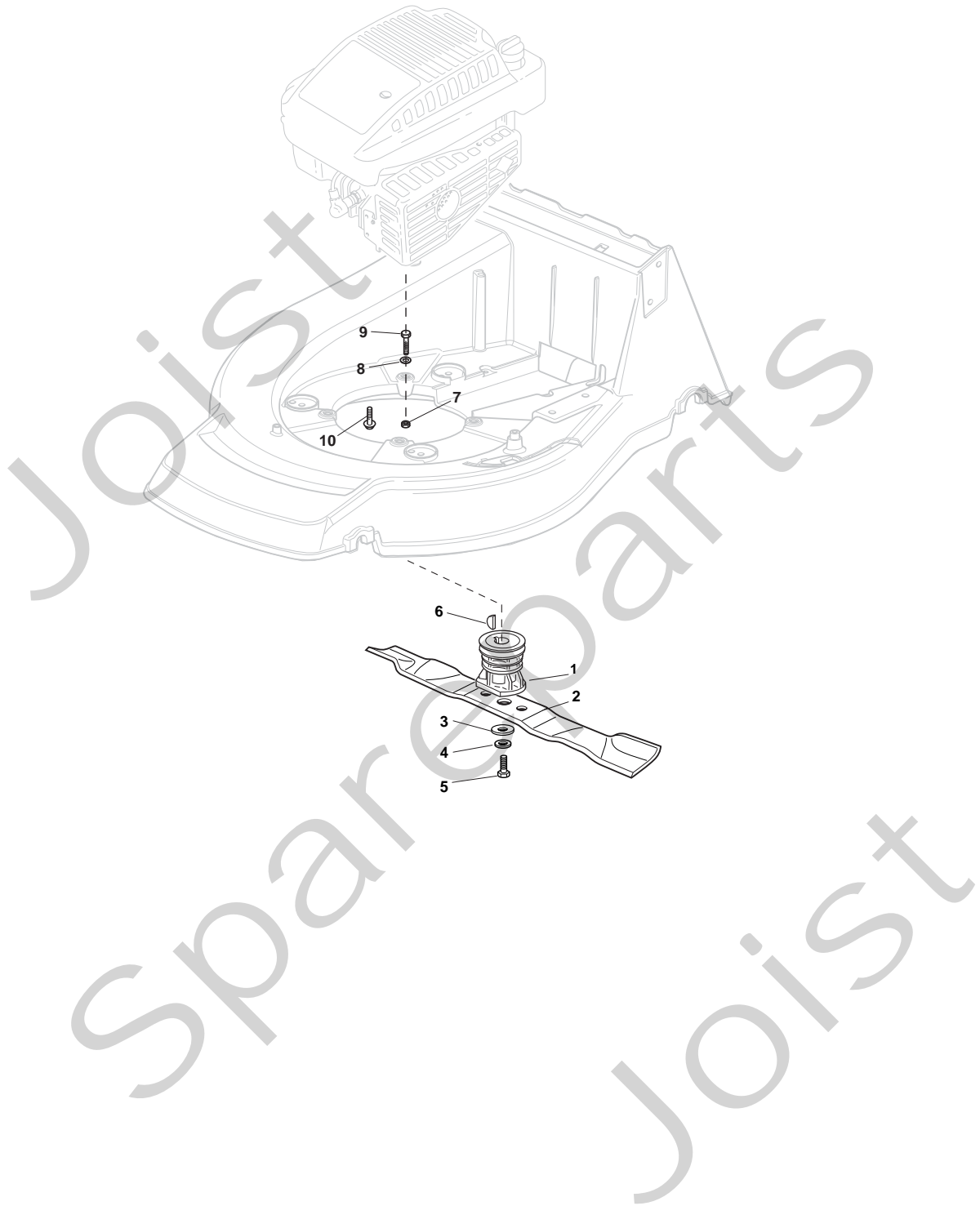
Position	Part No.	Q.Ty	Description
1	12608600/0	2	Seeger
2	22570120/1	1	Pinion L
3	22120105/1	2	Ring Gear
4	22600091/1	2	Protection, Wheel
5	22570110/1	1	Pinion R
6	12608600/0	2	Seeger
7	19216035/0	2	Bearing
8	81002811/0	1	Axle, Rear Wheels
9	22753000/0	2	Pin
10	81003082/1	1	Gear Box (Bi. Ci. Di.)
10	81003079/0	1	Gear Box (General Transmission)
11	22601909/0	1	Pulley
12	12645705/0	1	Pin
13	22033281/0	1	Adjustment Rod
14	22041957/1	1	Bush
15	22450063/0	1	Spring
16	22680009/0	1	Washer
17	12154510/0	1	Nut
18	22110230/0	1	Cap
19	35064195/0	1	Belt



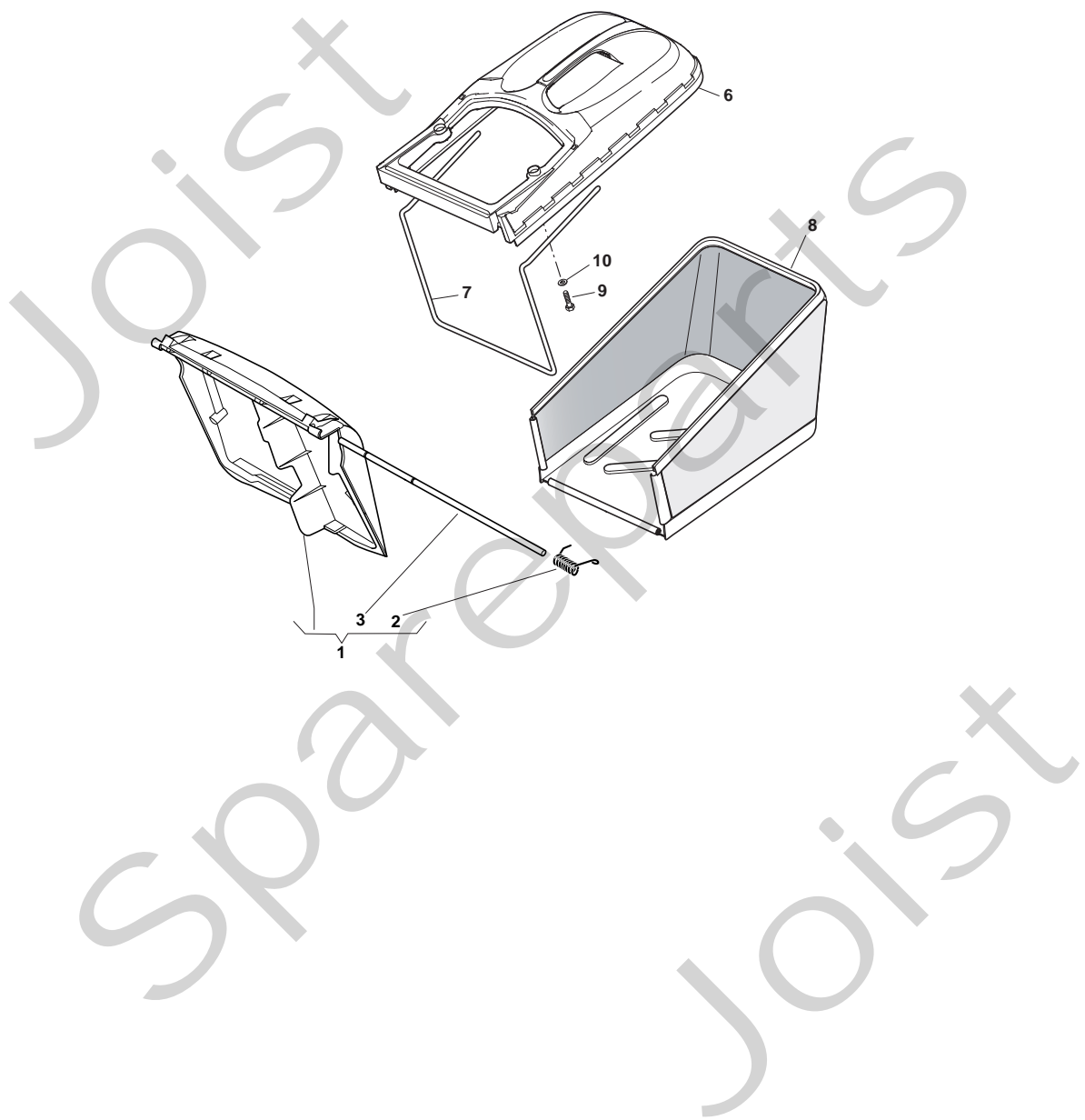


Position	Part No.	Q.Ty	Description
1	22110419/0	4	Hub Cap
2	81007382/0	2	Wheel Ø 210
3	22122200/0	8	Bearing
4	22675100/0	4	Washer
5	12521350/0	4	Washer

Joist  
Spareparts  
Joist



Position	Part No.	Q.Ty	Description
1	122465608/2	1	Hub With Pulley, Crankshaft Ø 25
2	81004383/0	1	Blade Standard
3	22160400/0	1	Elastic Washer
4	12523080/0	1	Washer
5	12735698/0	1	Screw
6	12139150/0	1	Feather, Crankshaft Ø 25
7	12155000/0	3	Nut
8	12521350/0	3	Washer
9	12692080/0	1	Screw (Only for B&S Engine)
9	12691800/0	2	Screw (Only for B&S Engine)
10	112735108/1	3	Screw



Position	Part No.	Q.Ty	Description
1	381008050/0	1	Stone-Guard
2	22451000/0	1	Spring
3	22517857/0	1	Pin
6	22486102/0	1	Grass-Box, Upper
7	22608526/0	1	Stiffening Lower
8	81002212/0	1	Box, Fabric
9	12728680/0	2	Screw
10	12523050/0	2	Washer

Joist  
Spareparts  
Joist