

Genuine Spare Parts

www.stiga.com

EXCEL 50 S4Q INOX B Model Year 2012

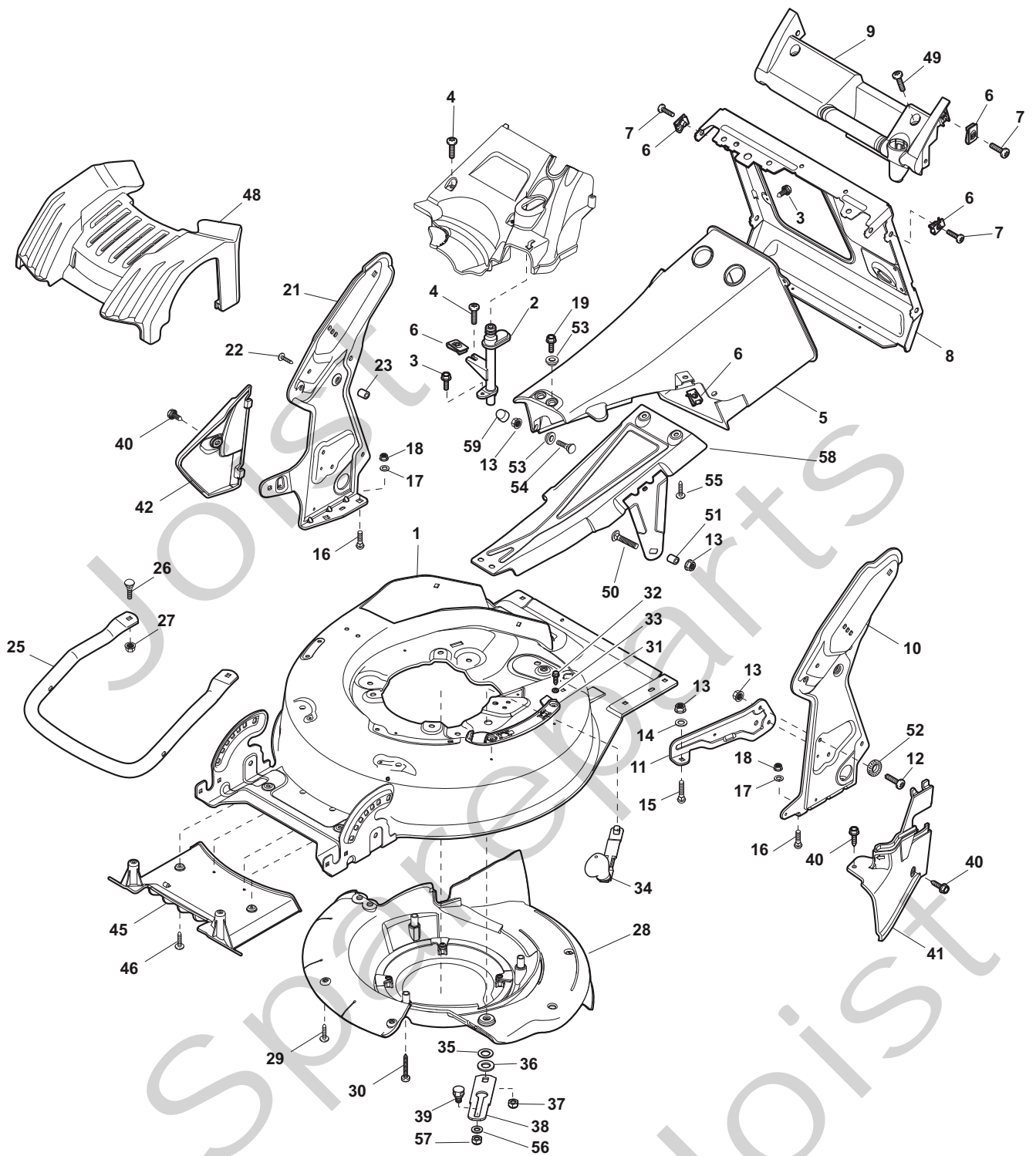
- Use GLOBAL GARDEN PRODUCT Genuine Spare Parts specified in the parts list for repair and/or replacement.
- The contents described in the parts list may change due to improvement.
- The drawings of the spare parts are only indicative and might not represent the part in question exactly.
- The indications "right" - "left" - "front" - "rear" refer to the position of the operator when using the machine.
- When placing orders of parts for repair and/or replacement, make sure that the illustrated parts list is the one applying to the machine's year of manufacture, as shown on the identification plate attached to the machine.

© Copyright 2012 Global Garden Products

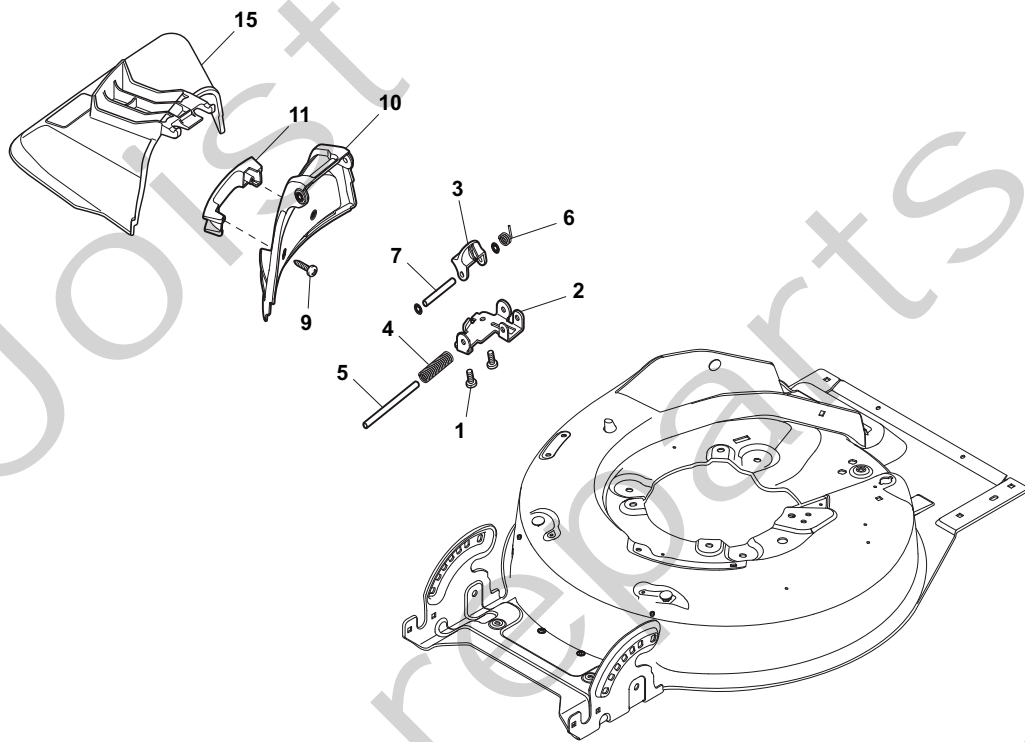
All content is subject to copyright by Global Garden Products and may not be reproduced in whole or in part by any means, electronic or otherwise, without prior written approval.

THIS INFORMATION IS NOT INTENDED FOR SALE OR RESALE, AND THIS NOTICE MUST REMAIN ON ALL COPIES.

STIGA®

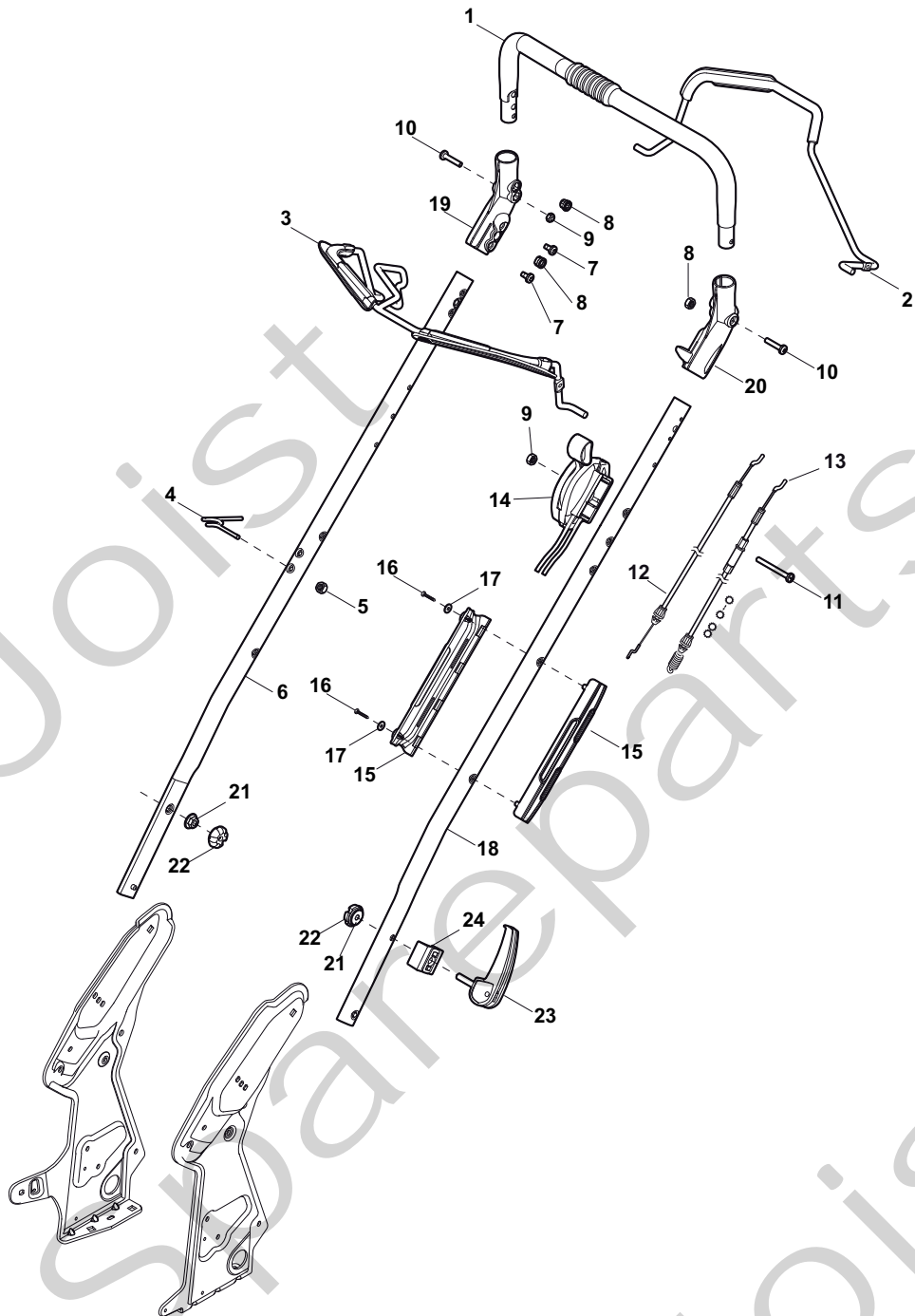


Position	Part No.	Q.Ty	Description
1	322064706/0	1	Deck INOX
2	322034001/0	1	Washing Connection
3	125943004/0	5	Screw
4	112815200/0	2	Screw
5	322108297/0	1	Conveyor Yellow
6	112437507/0	12	Plate
7	112727802/0	8	Screw
8	381545321/0	1	Rear Plate
9	322785282/0	1	Support
10	381545327/0	1	Bracket, L
11	322545191/0	1	Support
12	112727803/0	2	Screw
13	12154510/0	4	Nut
14	12521330/0	1	Washer
15	12815200/0	1	Screw
16	12818690/0	4	Screw
17	12521350/0	4	Washer
18	12155000/0	4	Nut
19	12729601/1	2	Screw
21	381545325/0	1	Bracket, R
22	112735662/1	2	Screw
23	122534128/0	2	Pin
25	381393701/0	2	Protection
26	12815205/0	2	Screw
27	12154510/0	2	Nut
28	381102202/0	1	Protection Mulching
29	125943004/0	2	Screw
30	112735115/0	3	Screw
31	322500052/1	1	Shoe
32	12731580/0	2	Screw
33	12521331/0	2	Washer
34	381003338/0	1	Lever
35	21660100/0	1	Washer
36	12521370/0	1	Washer
37	12293201/0	1	Nut
38	322320009/0	1	Lever
39	122042022/0	1	Bush
40	125943004/0	3	Screw
41	322109826/0	1	Guard Black
42	322109825/0	1	Guard Black
45	322500100/0	1	Air Intake Grill
46	112728706/0	6	Screw
48	322226138/0	1	Mask, Black
49	112727801/0	2	Screw
50	112815270/0	2	Screw
51	122671664/0	2	Spacer
52	12540040/0	2	Washer
53	325160039/0	6	Spacer
54	112794986/0	1	Screw
55	112727799/0	2	Screw
56	12521350/0	1	Washer
57	12155000/0	1	Nut
58	381608501/0	1	Stiffening Lower
59	18203853/0	1	Protection

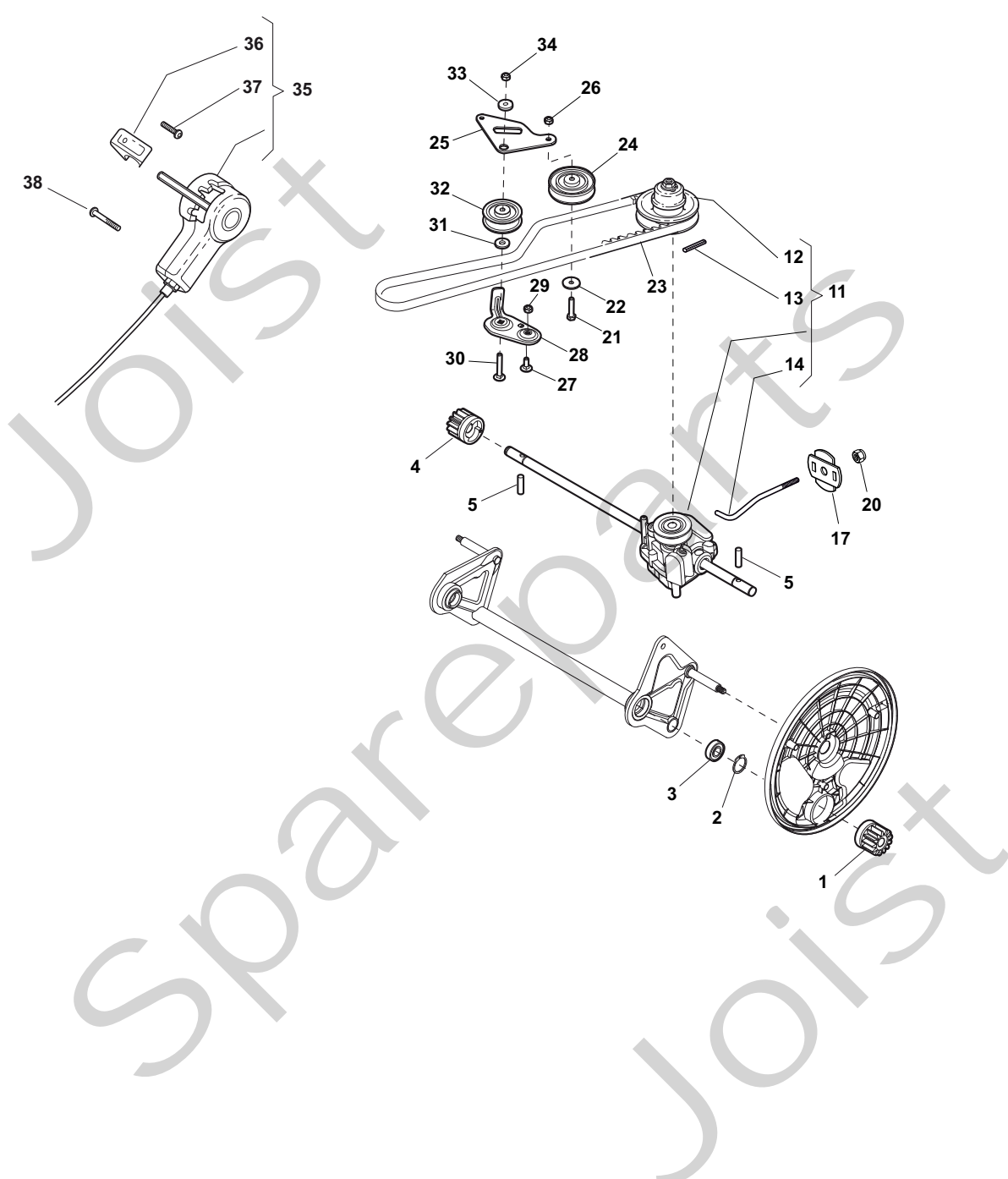


Position	Part No.	Q.Ty	Description
1	112727803/0	2	Screw
2	322806635/1	1	Fulcrum Pin
3	322783010/1	1	Button
4	122450456/0	1	Spring
5	122517864/0	1	Pin
6	122450457/0	1	Spring
7	122517866/0	1	Pin
9	112728706/0	2	Screw
10	322600200/0	1	Ejection Guard
11	322393633/0	1	Handle
15	322108289/0	1	Ejection Guard

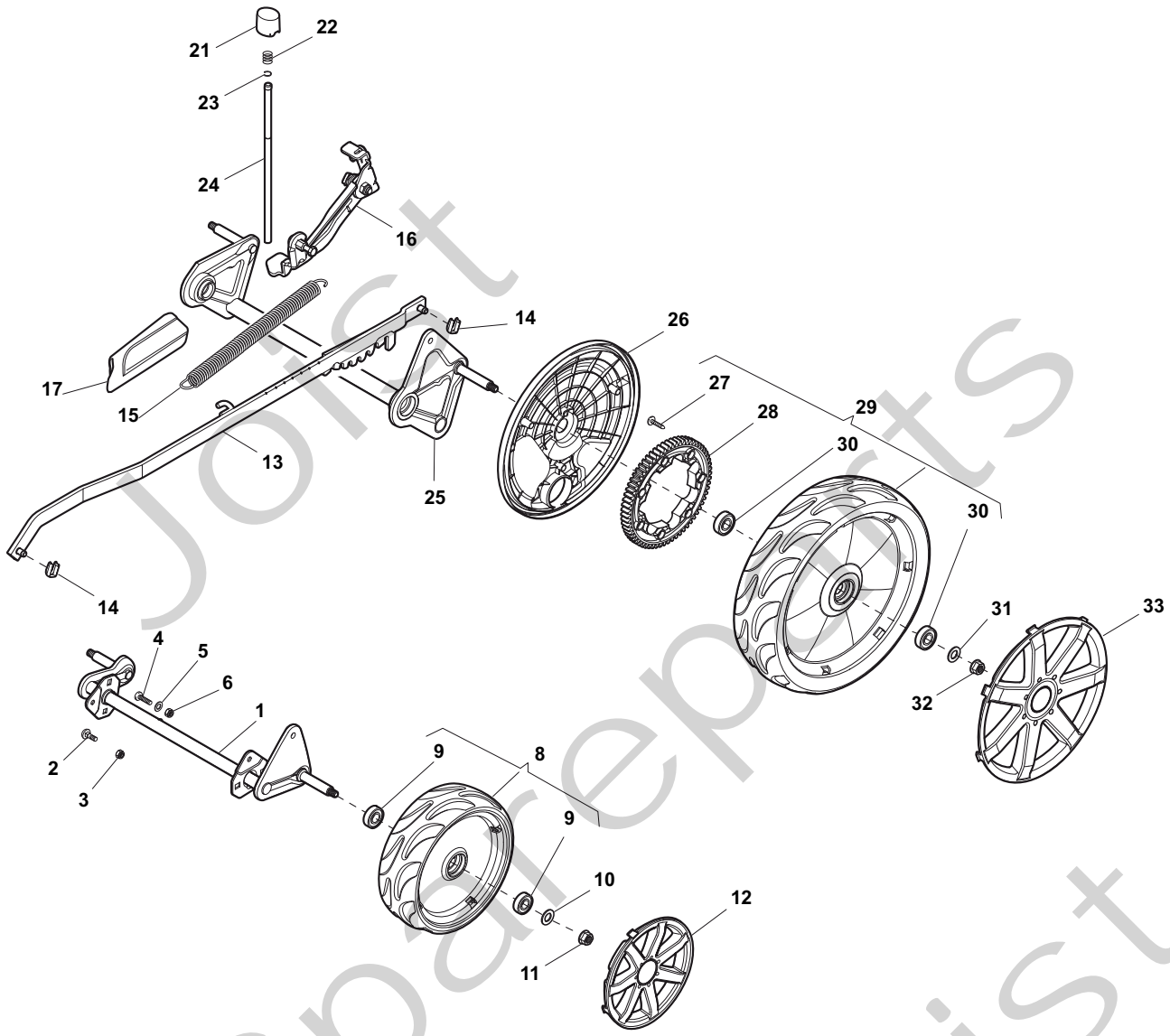
Joist
Spareparts
Joist



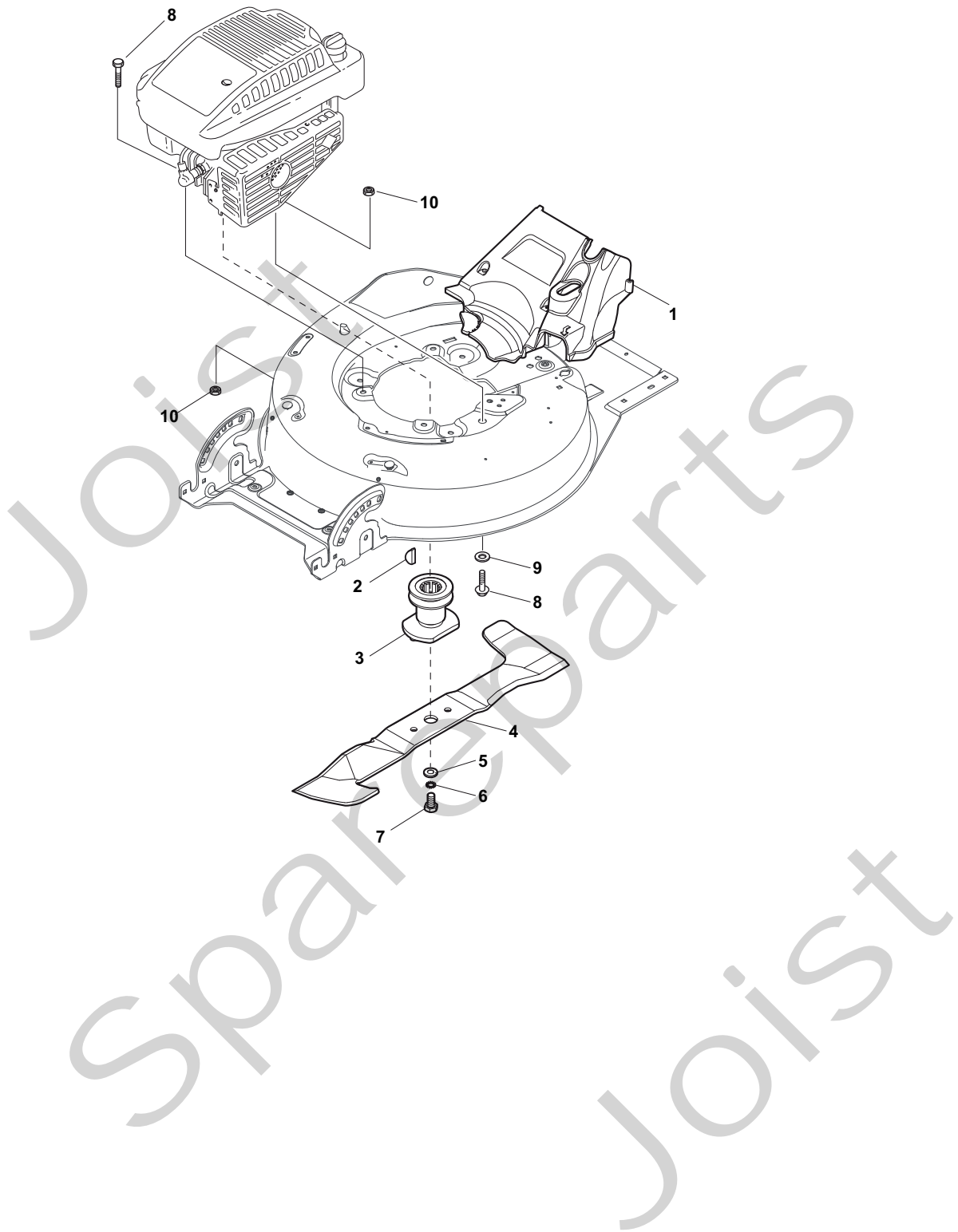
Position	Part No.	Q.Ty	Description
1	381006670/2	1	Handgrip
2	381003349/0	1	Lever, Driving
3	381003344/0	1	Lever, Engine Brake
4	22430309/0	1	Guide Spring
5	12154330/0	1	Nut
6	381006895/0	1	Handle Black, R
7	112735662/1	4	Screw
8	322041967/0	4	Bush
9	12154510/0	3	Nut
10	112728721/0	2	Screw
11	12727786/0	1	Screw
12	181030065/0	1	Cable, Thread Eng. Brake
13	381030067/0	1	Cable, Rear Drive
14	181005502/1	1	Throttle Cable
15	322806644/0	1	Protection
16	12727812/0	2	Screw
17	112523000/1	2	Washer
18	381006897/0	1	Handle Black, L
19	322488301/0	1	Support
20	322488303/0	1	Support
21	112154220/0	2	Nut
22	322399835/0	2	Knob
23	381003253/0	2	Handle
24	322680017/0	2	Support



Position	Part No.	Q.Ty	Description
1	122570132/0	1	Pinion L
2	12608600/0	4	Seeger
3	19216035/0	2	Bearing
4	122570131/0	1	Pinion R
5	22753000/0	2	Pin
11	181003107/0	1	Gear Box
12	122601925/0	1	Pulley
13	12645700/0	1	Pin
14	122033298/0	1	Adjustment Rod
17	22675113/0	2	Washer
20	12154510/0	1	Nut
21	12674550/0	1	Screw
22	12523050/0	1	Washer
23	135064385/0	1	Belt
24	22601914/0	1	Pulley
25	322322835/0	1	Lever
26	12154510/0	1	Nut
27	12815205/0	1	Screw
28	322806637/1	1	Support
29	12154510/0	1	Nut
30	12815240/0	1	Screw
31	22671653/0	1	Washer
32	22601915/0	1	Pulley
33	22671656/0	1	Washer
34	12154510/0	1	Nut
35	381007189/0	1	Cable, Speed Drive Control
36	322399820/0	1	Knob
37	12728300/0	2	Screw
38	112728536/0	2	Screw

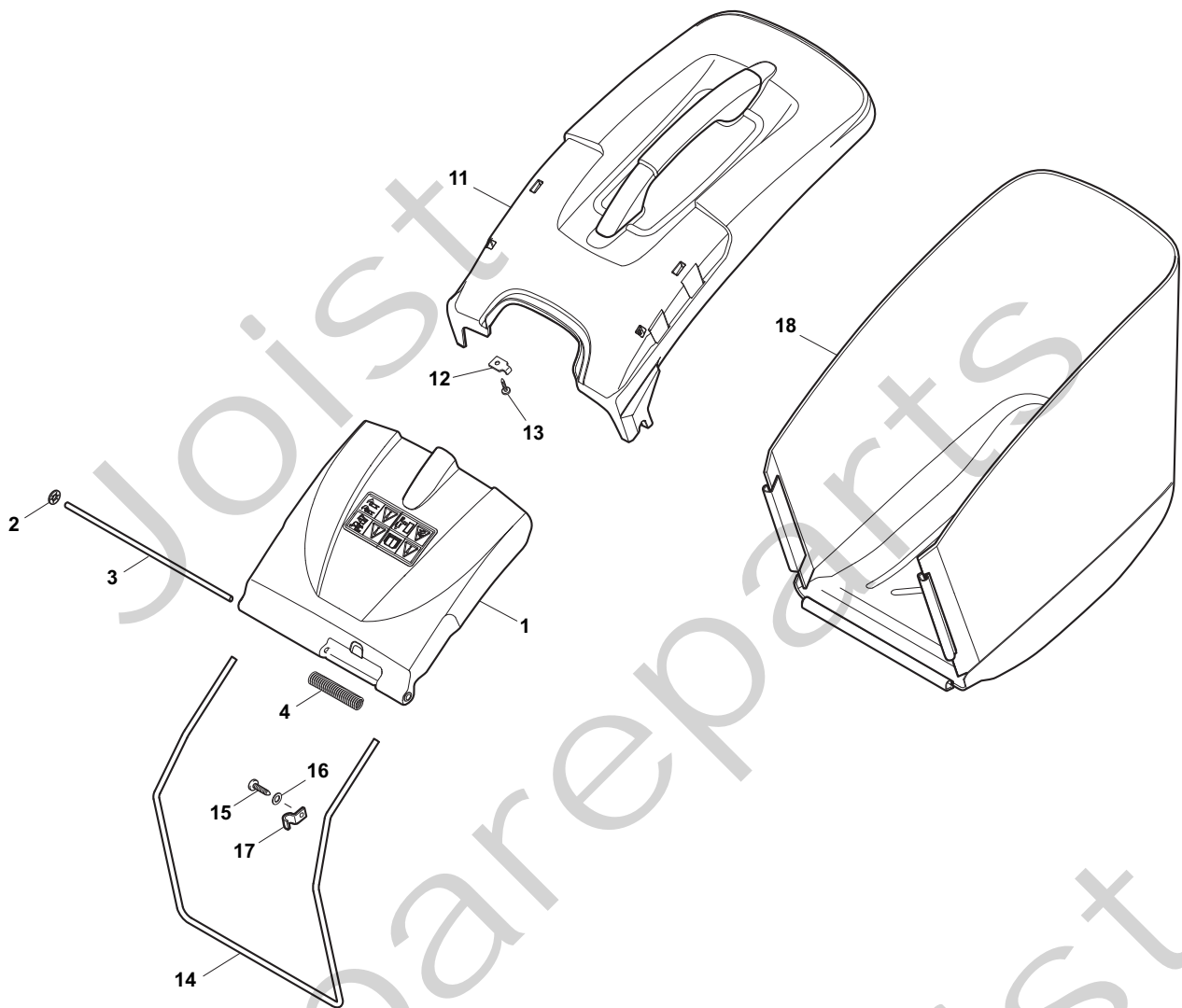


Position	Part No.	Q.Ty	Description
1	381002869/1	1	Axle, Front Wheels
2	12815205/0	4	Screw
3	12154510/0	4	Nut
4	112727799/0	2	Screw
5	12523040/0	2	Washer
6	12154510/0	2	Nut
8	381007394/1	2	Wheel Ø 210
9	19216035/0	4	Bearing
10	12521350/0	2	Washer
11	12155000/0	2	Nut
12	322110597/0	2	Hub Cap
13	381002034/0	1	Rod, Height Adjustment
14	112436051/0	2	Plate
15	122450459/1	1	Spring
16	381003337/1	1	Lever, Height Adjustment
17	322570202/0	1	Cover
21	322602012/1	1	Button
22	122450462/0	1	Spring
23	12000930/0	1	Snap Ring
24	122033351/1	1	Rod
25	381002899/0	1	Axle, Rear Wheels
26	322600179/0	2	Protection, Wheel
27	12728691/0	6	Screw
28	322120113/0	2	Ring Gear
29	381007398/1	2	Wheel Ø 300
30	19216035/0	4	Bearing
31	12521350/0	2	Washer
32	12155000/0	2	Nut
33	322110598/0	2	Hub Cap



Position	Part No.	Q.Ty	Description
1	322060230/0	1	Protection
2	12139100/0	1	Feather, Crankshaft Ø 22.2
3	22465607/2	1	Hub With Pulley, Crankshaft Ø 22
4	181004451/0	1	Blade Standard
5	22160400/0	1	Elastic Washer
6	12523080/0	1	Washer
7	12736815/0	1	Screw
8	12691100/0	3	Screw
9	12521350/0	1	Washer
10	12154210/0	3	Nut

Joist
Spareparts
Joist



Position	Part No.	Q.Ty	Description
1	322600180/4	1	Stone-Guard
2	12604899/0	2	Crown Fastener
3	122517863/0	1	Pin
4	122450455/1	1	Spring
11	381486007/0	1	Grass-Box, Upper
12	322545159/0	2	Plate
13	12728689/0	2	Screw
14	122608542/0	1	Stiffening Lower
15	12728689/0	2	Screw
16	12521320/0	2	Washer
17	325774220/0	2	Plate
18	181002302/2	1	Box, Fabric

Joist
Spareparts
Joist