

# Genuine Spare Parts

www.stiga.com

## TURBO 55 SE COMBI Model Year 2012

- Use GLOBAL GARDEN PRODUCT Genuine Spare Parts specified in the parts list for repair and/or replacement.
- The contents described in the parts list may change due to improvement.
- The drawings of the spare parts are only indicative and might not represent the part in question exactly.
- The indications "right" - "left" - "front" - "rear" refer to the position of the operator when using the machine.
- When placing orders of parts for repair and/or replacement, make sure that the illustrated parts list is the one applying to the machine's year of manufacture, as shown on the identification plate attached to the machine.

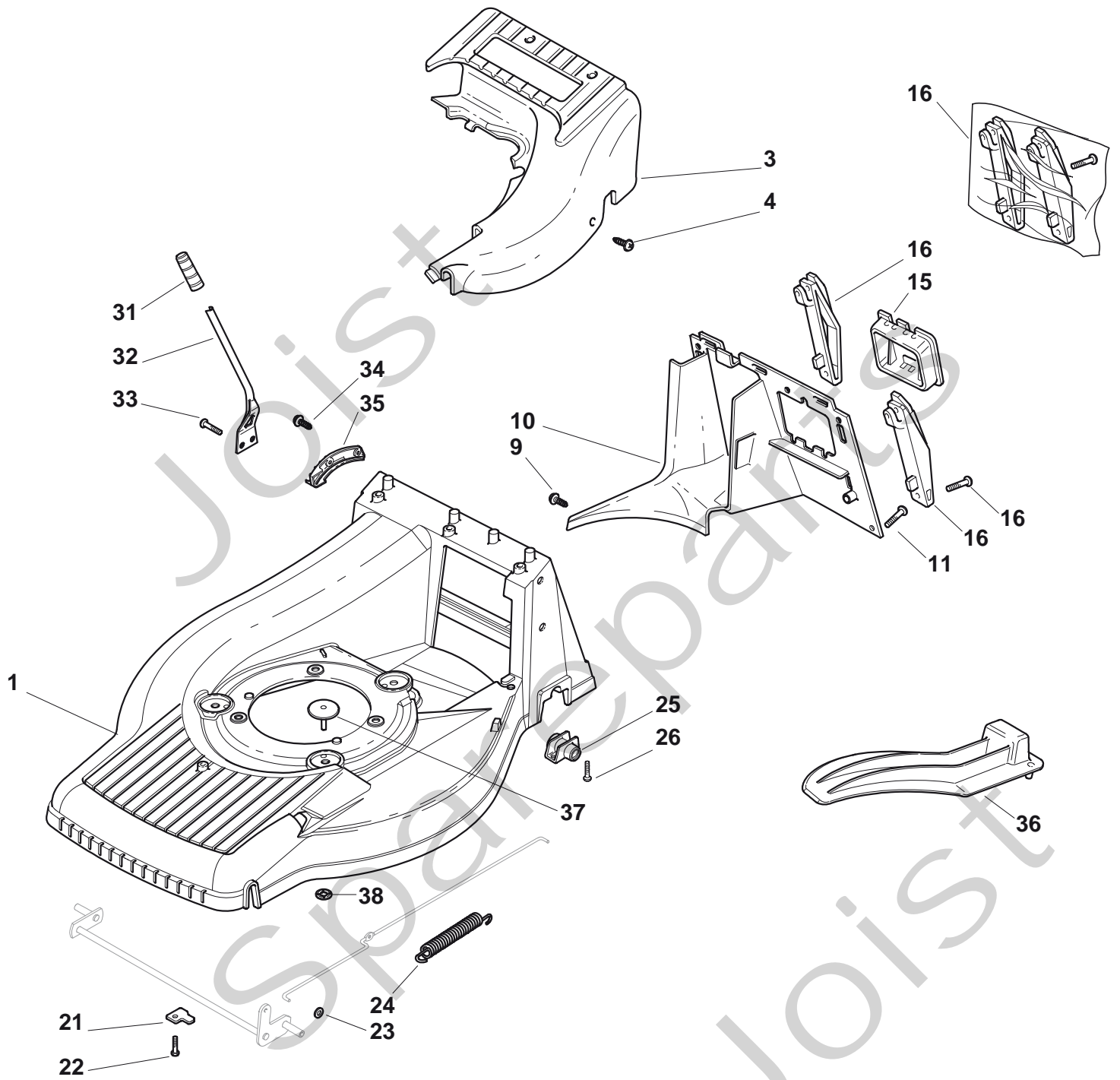
© Copyright 2012 Global Garden Products

All content is subject to copyright by Global Garden Products and may not be reproduced in whole or in part by any means, electronic or otherwise, without prior written approval.

THIS INFORMATION IS NOT INTENDED FOR SALE OR RESALE, AND THIS NOTICE MUST REMAIN ON ALL COPIES.

**STIGA**®

TURBO 55 SE COMBI

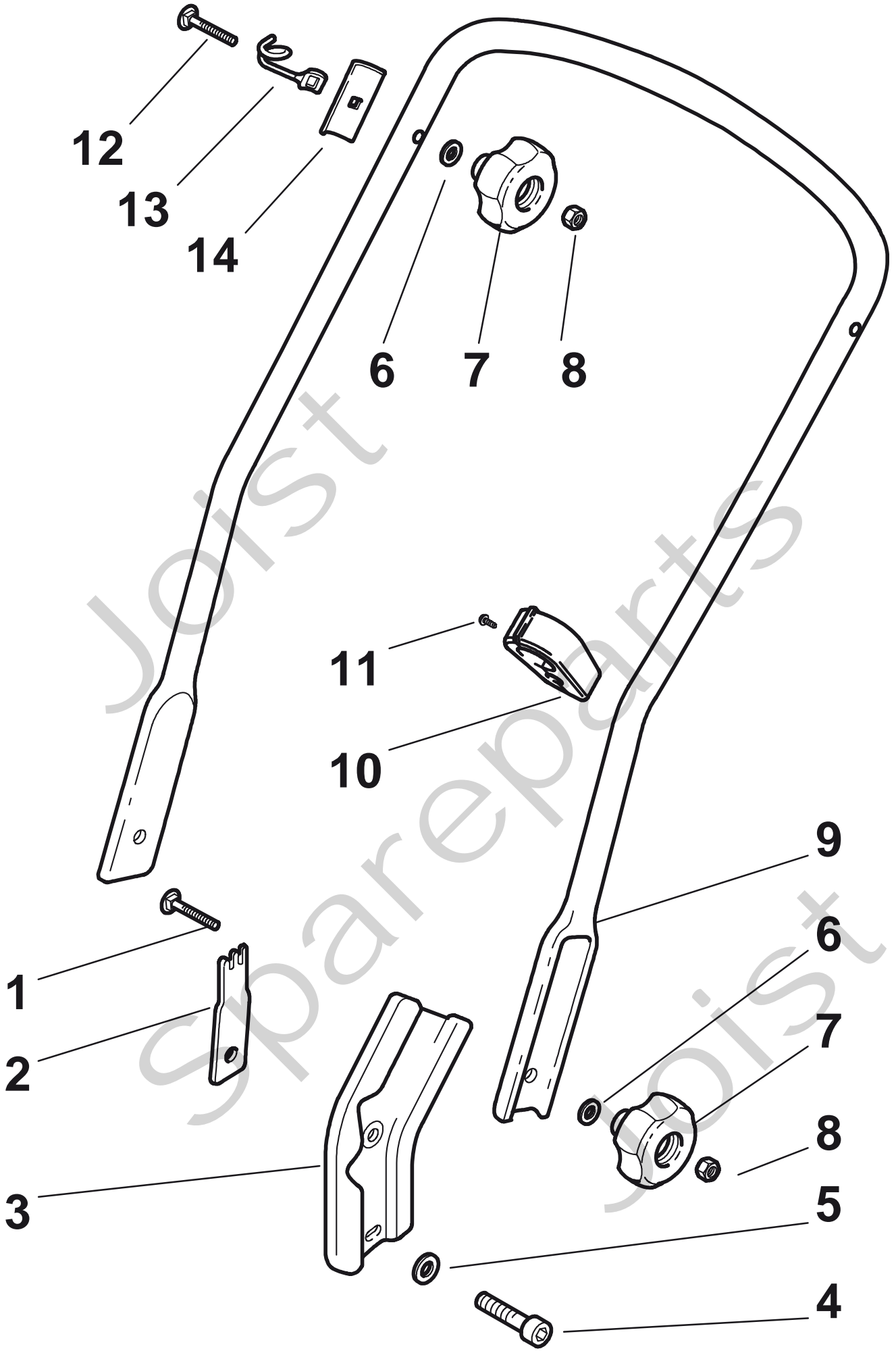




## TURBO 55 SE COMBI

Pos. Fig.	Antal Quantity	Art No Part No	Benämning	Description	Anmärkning Notes
1	1	81002660/0	Chassi-gul	Deck Yellow	
3	1	22060156/0	Skydd gul	Protection, Yellow	
4	3	12728300/0	Skruv	Screw	
9	1	12728300/0	Skruv	Screw	
10	1	22108277/0	Ledplåt-bakre	Rear Conveyor Assy	
11	3	12735664/0	Skruv	Screw	
15	1	22109531/0	Kåpa	Cover	
16	1	81008658/1	Skrivsats	Outfit, Supports	
21	2	22545160/0	Plåt	Plate	
22	2	12735664/0	Skruv	Screw	
23	2	12604898/0	Låsring	Crown Fastener	
24	1	22446181/0	Fjäder	Spring	
25	2	22785153/0	Stöd	Support, Gear Box	
26	4	12735664/0	Skruv	Screw	
31	1	22399808/0	Knopp	Knob	
32	1	22321515/0	Höjdinställningsspak	Lever, Height Adjustment	
33	2	12735661/0	Skruv	Screw	
34	2	12728300/0	Skruv	Screw	
35	1	22735563/0	Höjdinställn.sektor	Sector, Height Adjustment	
36	1	22140232/0	Deflektor	Deflector	

TURBO 55 SE COMBI

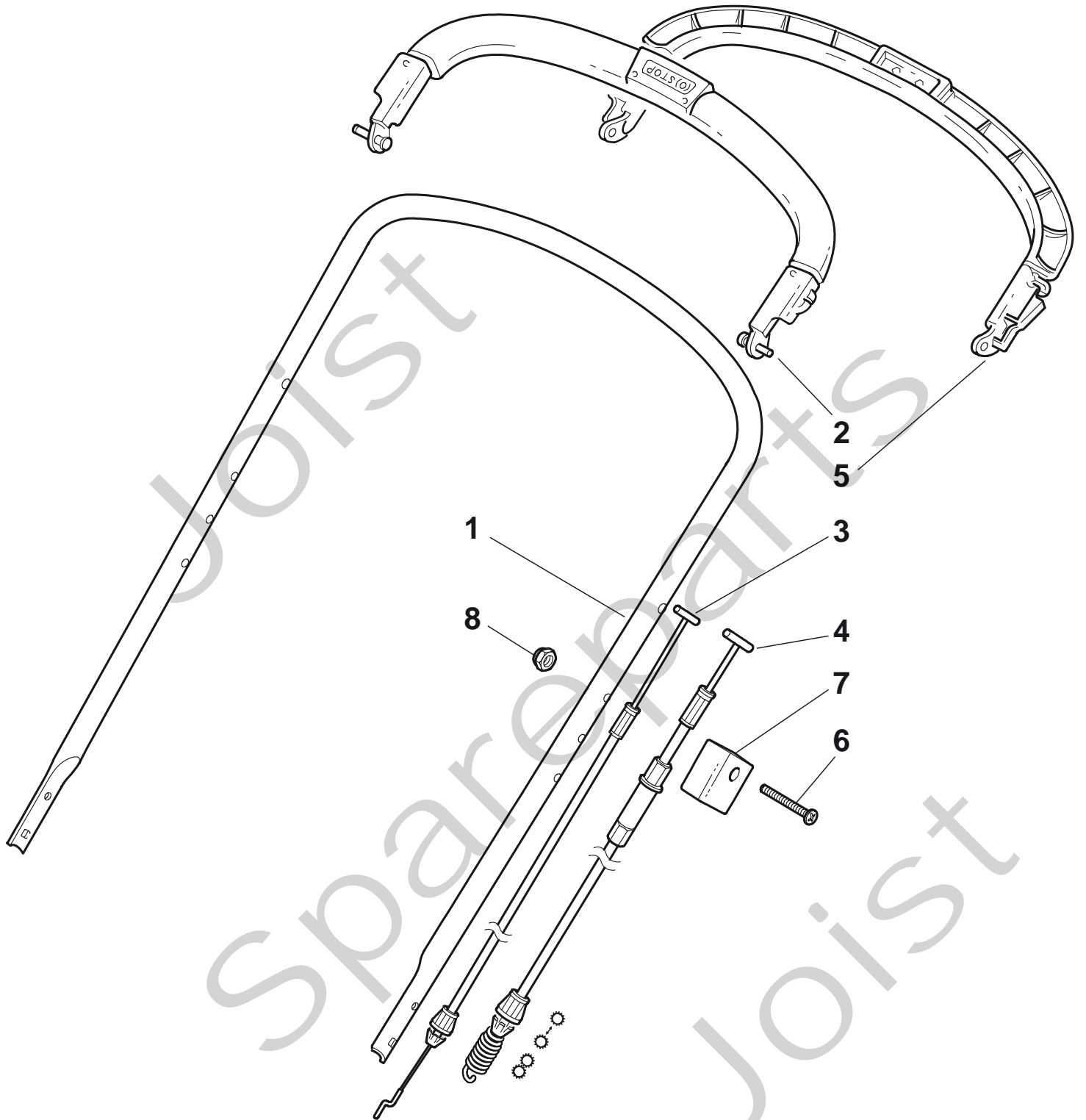




## TURBO 55 SE COMBI

Pos. Fig.	Antal Quantity	Art No Part No	Benämning	Description	Anmärkning Notes
1	2	12820655/0	Skruv	Screw	
2	1	22551635/0	Fästplatta	Plate For Handle	
3	2	22778405/0	Fäste	Support	
4	2	12760515/0	Skruv	Screw	
5	2	12521350/0	Bricka	Washer	
6	4	12521350/0	Bricka	Washer	
7	4	22399810/0	Knopp	Knob	
8	4	12361005/0	Mutter	Nut	
9	1	81006613/0	Styre-underdel	Handle, Lower Part	
10	1	22192001/0	Kabelhållare	Anchor Clamp	
11	1	12728691/0	Skruv	Screw	
12	2	12820655/0	Skruv	Screw	
13	1	22430311/0	Fjäder	Guide Spring	
14	2	22545137/0	Fästplatta	Plate For Handle Fastening	

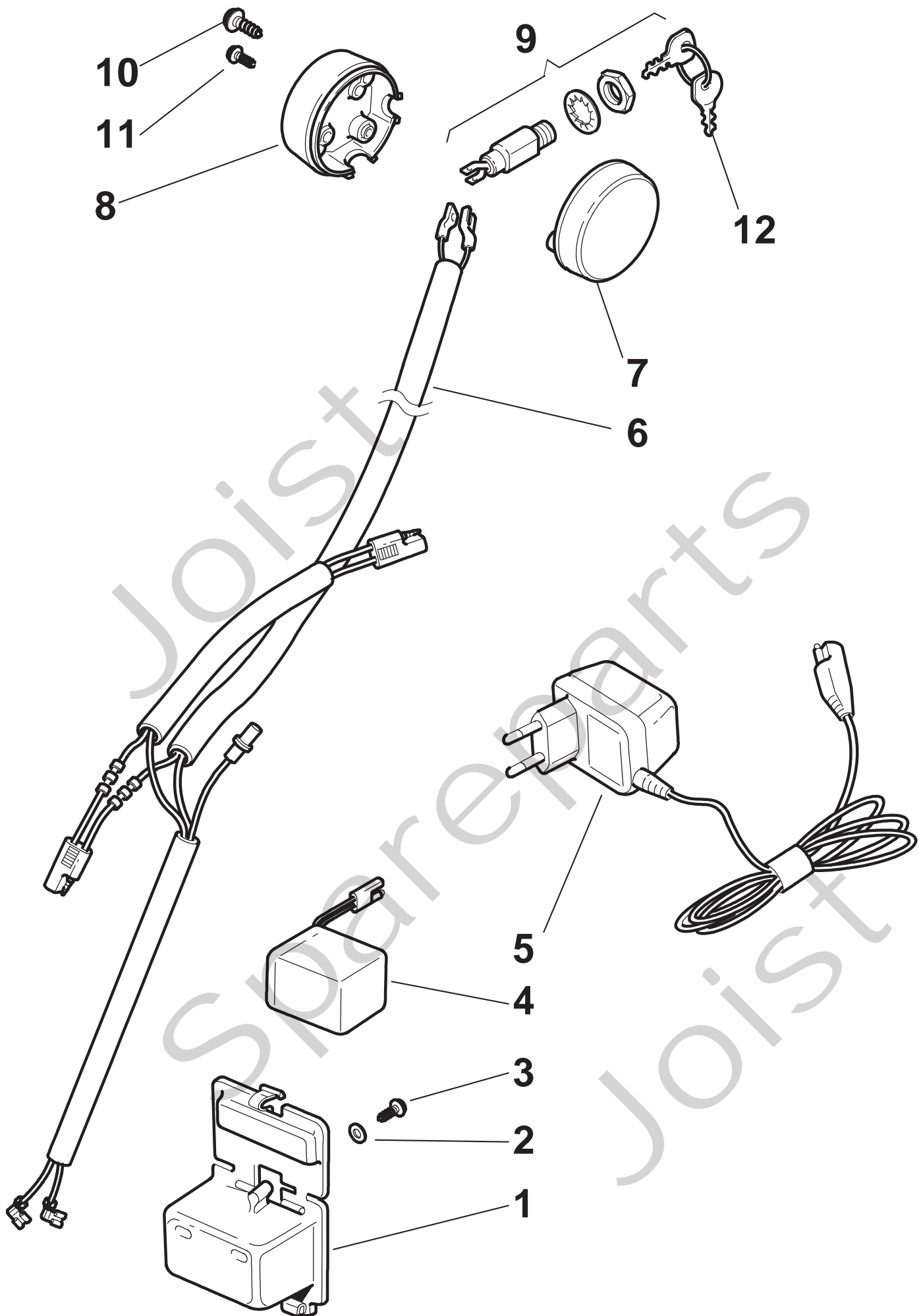
TURBO 55 SE COMBI





## TURBO 55 SE COMBI

Pos. Fig.	Antal Quantity	Art No Part No	Benämning	Description	Anmärkning Notes
1	1	81006618/1	Styre-överdel	Handle, Upper Part	
2	1	81003298/1	Reglagebygel	Lever, Engine Brake	
3	1	81000688/0	Motorbromswire	Cable, Thread Engine Brake	
4	1	81000697/0	Kopplingswire	Cable, Rear Drive	
5	1	81003297/1	Reglagebygel-drivning	Driving Lever	
6	1	12727783/0	Skruv	Screw	
7	1	22551640/0	Plåt	Plate	
8	1	12154510/0	Mutter	Nut	

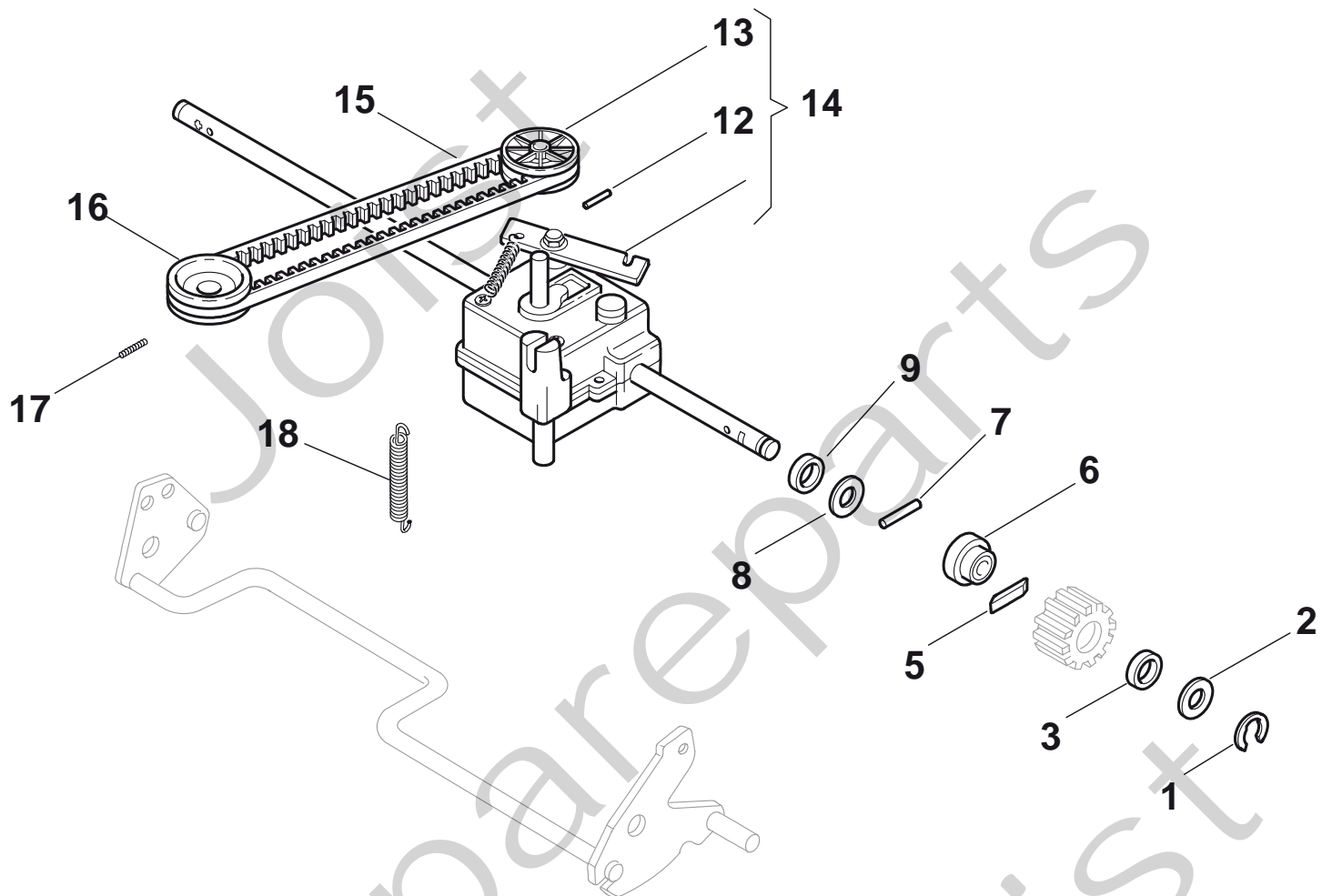
**TURBO 55 SE COMBI**





## TURBO 55 SE COMBI

Pos. Fig.	Antal Quantity	Art No Part No	Benämning	Description	Anmärkning Notes
1	1	22109533/0	Lock	Battery Box	
2	1	12523040/0	Bricka	Washer	
3	1	12728691/0	Skruv	Screw	
4	1	18120052/0	Motorbromswire	Battery	
5	1	18204120/0	Tätningshylsa	Battery Charger	
6	1	18204195/0	Batteriladdare	Cable, Start	
7	1	22722801/0	Skydd-va	L Protection	
8	1	22722800/0	Skydd-ho	R Protection	
9	1	18450050/0	Ringmutter	Switch	
10	2	12728702/0	Skruv	Screw	
11	1	12728691/0	Skruv	Screw	
12	1	18210016/1	Kabel	Starting Key	

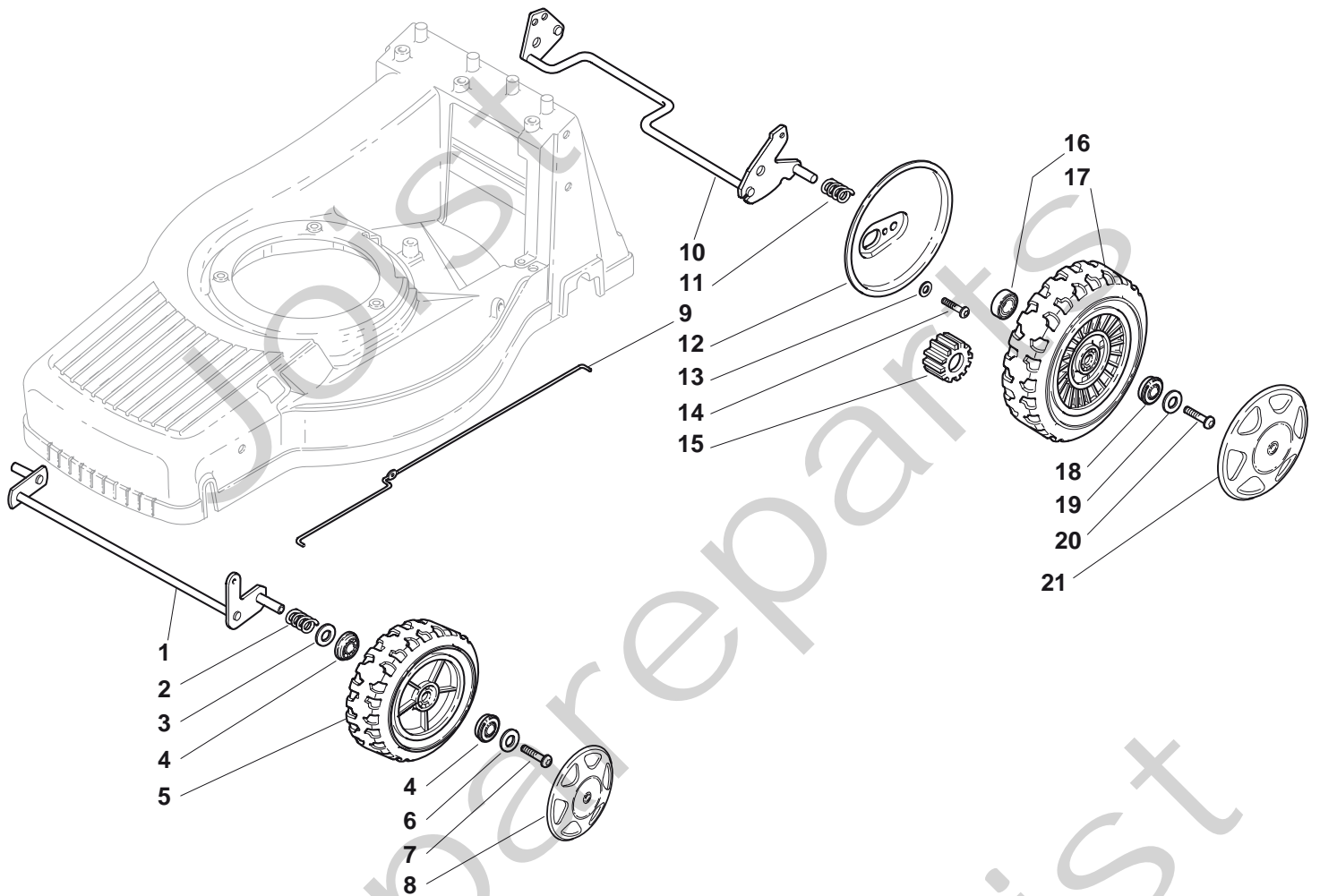




## TURBO 55 SE COMBI

Pos. Fig.	Antal Quantity	Art No Part No	Benämning	Description	Anmärkning Notes
1	2	12000957/0	Låsring	Snap Ring	
2	2	12520032/0	Bricka	Washer	
3	2	22160520/0	Dammskydd	Dust Cover	
5	2	22076645/0	Chassi-röd	Key	
6	2	22170630/0	Distans	Spacer	
7	2	22753002/0	Stift	Pin	
8	2	12520032/0	Bricka	Washer	
9	2	19035152/0	O-ring	Or Ring	
12	1	12620310/0	Stift	Pin	
13	1	22601913/0	Remskiva	Pulley	
14	1	81003085/0	Transmission	Gear Box	
15	1	35064383/0	Drivrem Xpz Lp 837	Belt Xpz Lp 837	
16	1	22601918/0	Remskiva Ø 22.2	Pulley, Crankshaft Ø 22.2	
17	1	12714312/0	Stift	Dowel	
18	1	22450434/0	Fjäder	Spring	

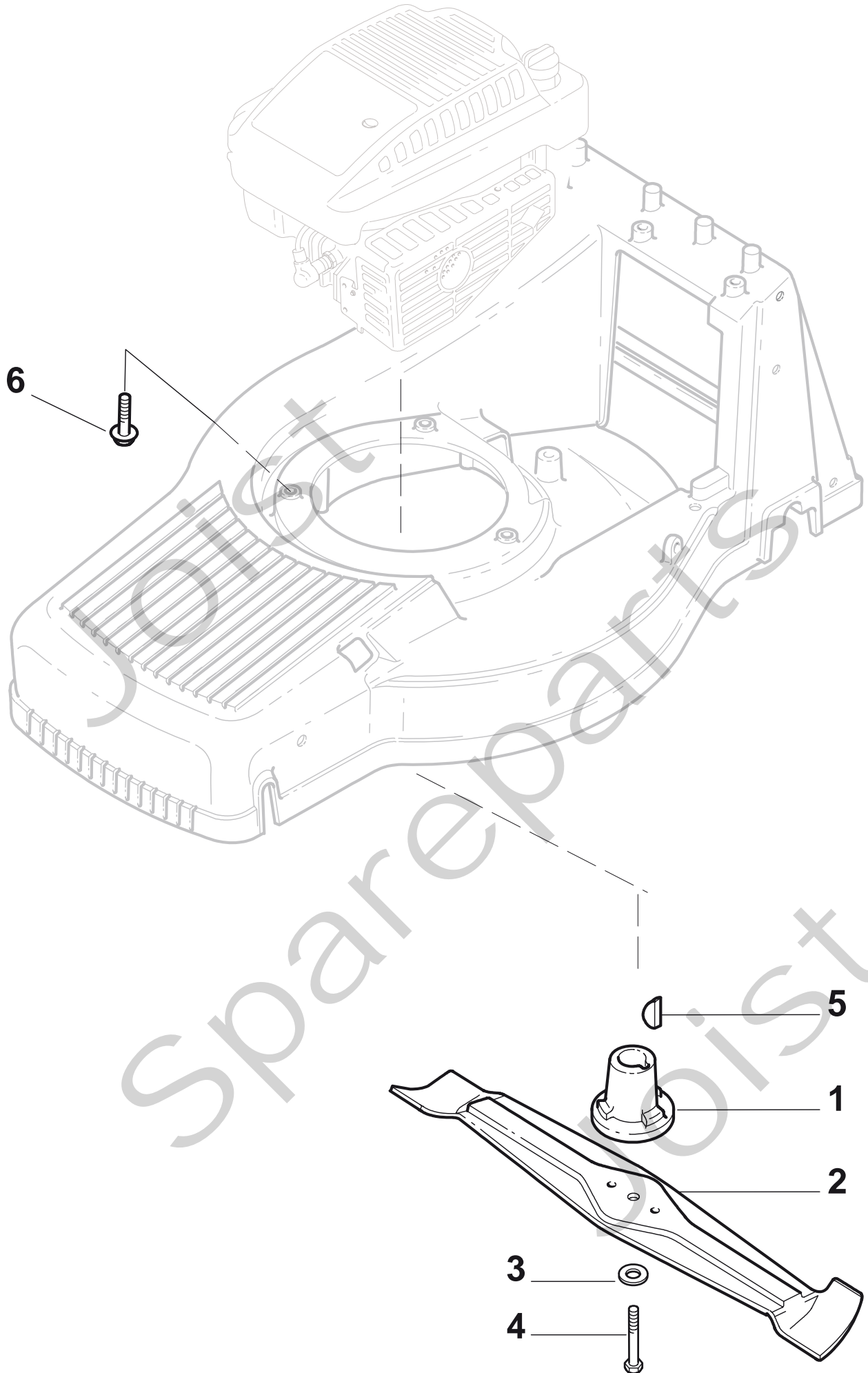
TURBO 55 SE COMBI





## TURBO 55 SE COMBI

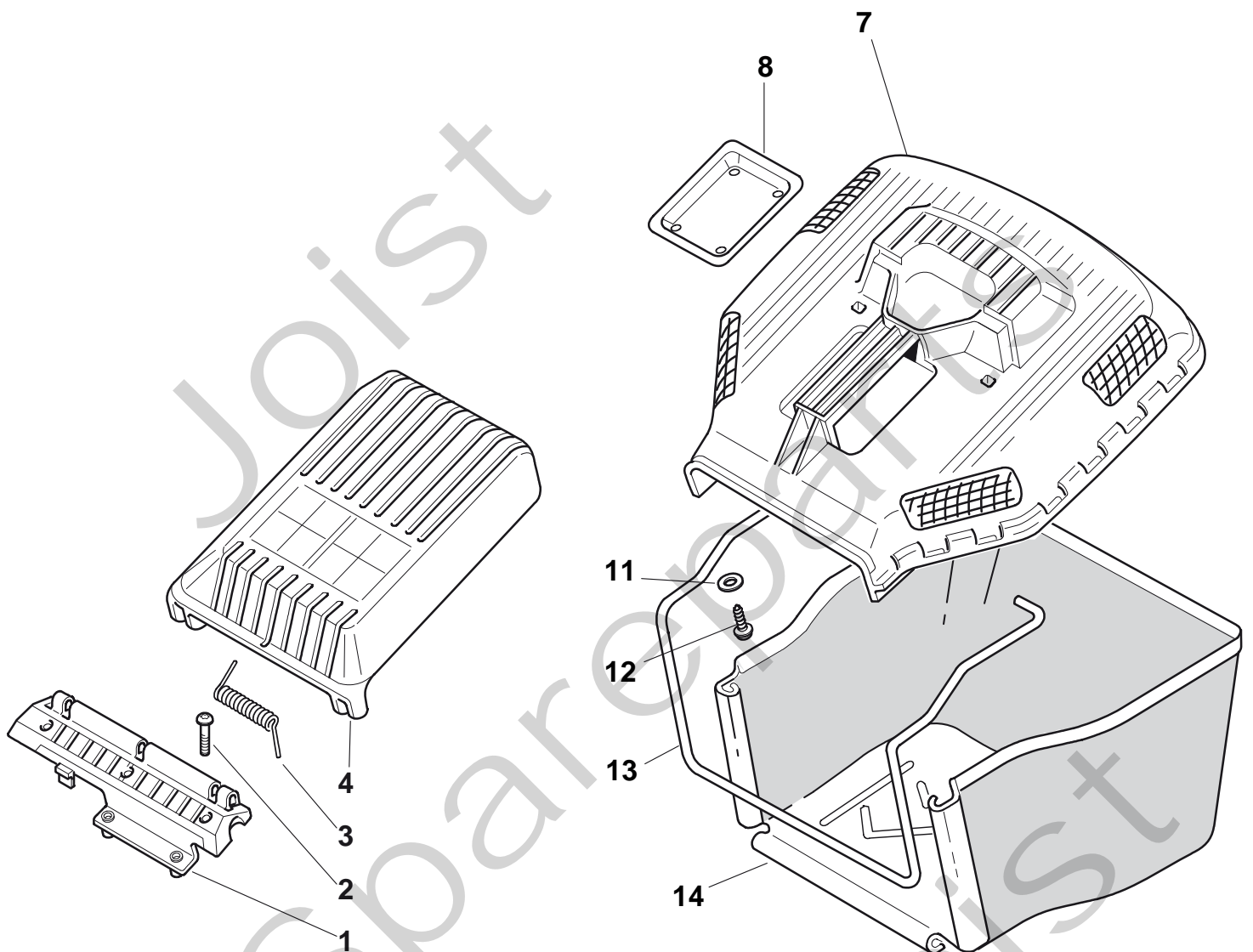
Pos. Fig.	Antal Quantity	Art No Part No	Benämning	Description	Anmärkning Notes
1	1	81002847/0	Hjulaxel-fram	Axle, Front Wheels	
2	2	22430210/0	Fjäder	Spring	
3	2	12521370/0	Bricka	Washer	
4	4	22122200/0	Panel	Bearing	
5	2	81007351/0	Hjul Ø 170	Wheel, Knobbly Ø 170	
6	2	12521460/0	Bricka	Washer	
7	2	112735662/1	Skruv	Screw	
8	2	322110395/0	Navkapsel	Hub Cap	
9	1	22033323/0	Höjdinställn.stång	Rod, Height Adjustment Control	
10	1	81002823/0	Hjulaxel-bakre	Axle, Rear Wheels	
11	2	22430215/0	Fjäder	Spring	
12	2	22600121/0	Hjulskydd	Protection, Wheel	
13	2	12521460/0	Bricka	Washer	
14	2	112735662/1	Skruv	Screw	
15	2	22570125/0	Drev	Pinion	
16	2	19216038/0	Kullager	Bearing	
17	2	81007362/0	Hjul Ø 215	Wheel Ø 215	
18	2	22122201/0	Kullager	Bearing	
19	2	12521460/0	Bricka	Washer	
20	2	112735662/1	Skruv	Screw	
21	2	322110314/0	Navkapsel	Hub Cap	





## TURBO 55 SE COMBI

Pos. Fig.	Antal Quantity	Art No Part No	Benämning	Description	Anmärkning Notes
1	1	22465618/0	Knivfäste Ø 22.2	Hub, Crankshaft Ø 22.2	
2	1	81004144/0	Kniv	Blade Winged	
3	1	12530140/0	Bricka	Washer	
4	1	12735698/0	Skruv	Screw	
5	1	12139100/0	Svängjul Key	Feather, Crankshaft Ø 22.2	
6	3	112735108/1	Skruv	Screw	







## TURBO 55 SE COMBI

Pos. Fig.	Antal Quantity	Art No Part No	Benämning	Description	Anmärkning Notes
1	1	22785157/0	Luckfäste-gul	Support, Yellow	
2	3	12735664/0	Skruv	Screw	
3	1	22450430/0	Fjäder	Spring	
4	1	22600069/1	Lucka	Stone-Guard, Yellow	
7	1	22486095/0	Uppsamlare-överdel	Grass-Box, Upper Part	
8	1	22486098/0	Plåt	Plate	
11	2	12521460/0	Bricka	Washer	
12	2	12728300/0	Skruv	Screw	
13	1	22608528/0	Trådbygel	Stiffening Lower	
14	1	81002235/0	Uppsamlingsäck	Box, Fabric	