

Genuine Spare Parts

www.stiga.com

MULTICLIP 50 S INOX PLUS B UNL Model Year 2011

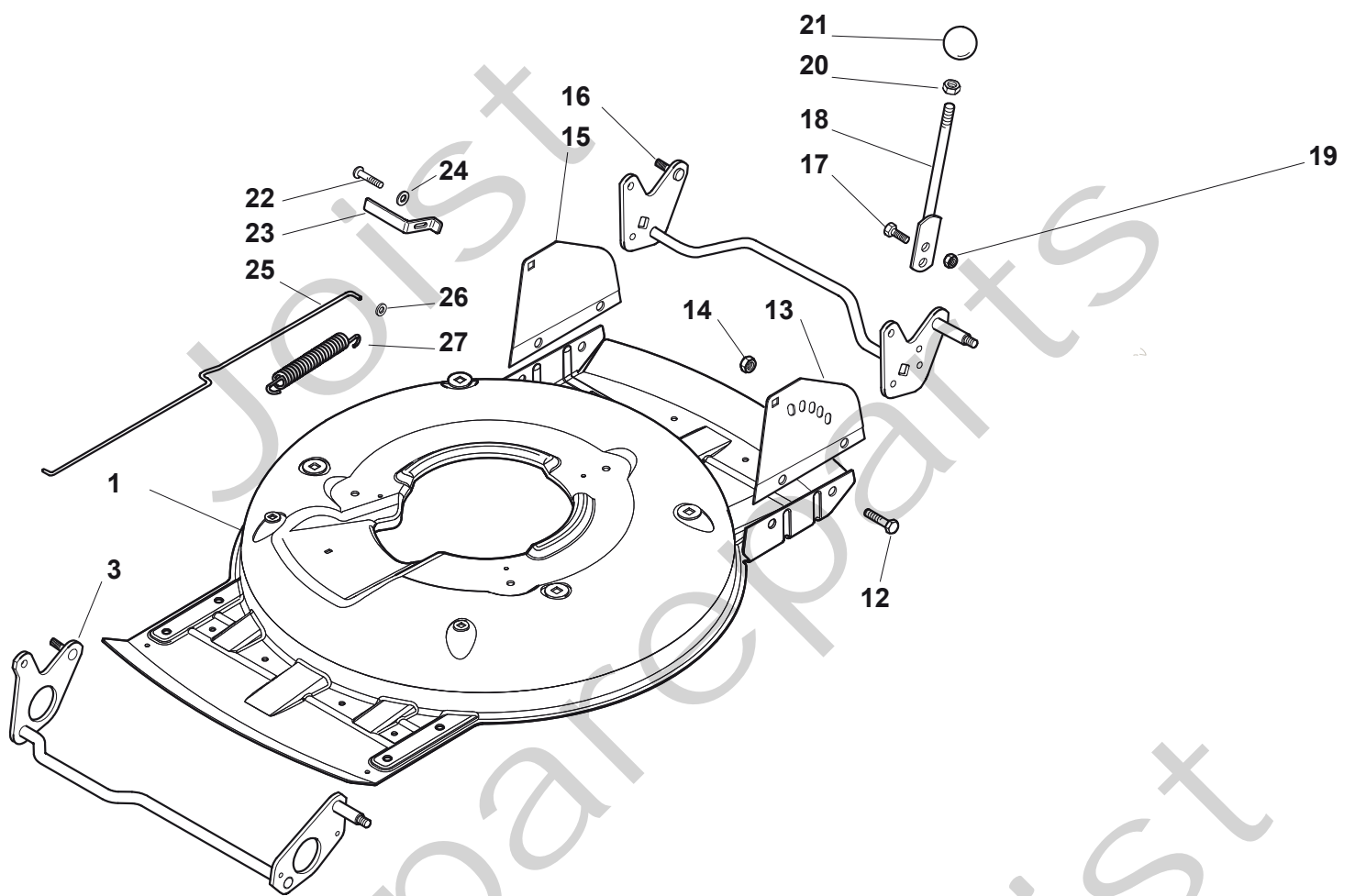
- Use GLOBAL GARDEN PRODUCT Genuine Spare Parts specified in the parts list for repair and/or replacement.
- The contents described in the parts list may change due to improvement.
- The drawings of the spare parts are only indicative and might not represent the part in question exactly.
- The indications "right" - "left" - "front" - "rear" refer to the position of the operator when using the machine.
- When placing orders of parts for repair and/or replacement, make sure that the illustrated parts list is the one applying to the machine's year of manufacture, as shown on the identification plate attached to the machine.

COPYRIGHT by GLOBAL GARDEN PRODUCTS

All rights reserved. No part of this material may be reproduced or transmitted, in any form or by any means, electronic or mechanical, including photocopying, recording or by any information storage and retrieval system, without permission in writing from GLOBAL GARDEN PRODUCTS.

STIGA®

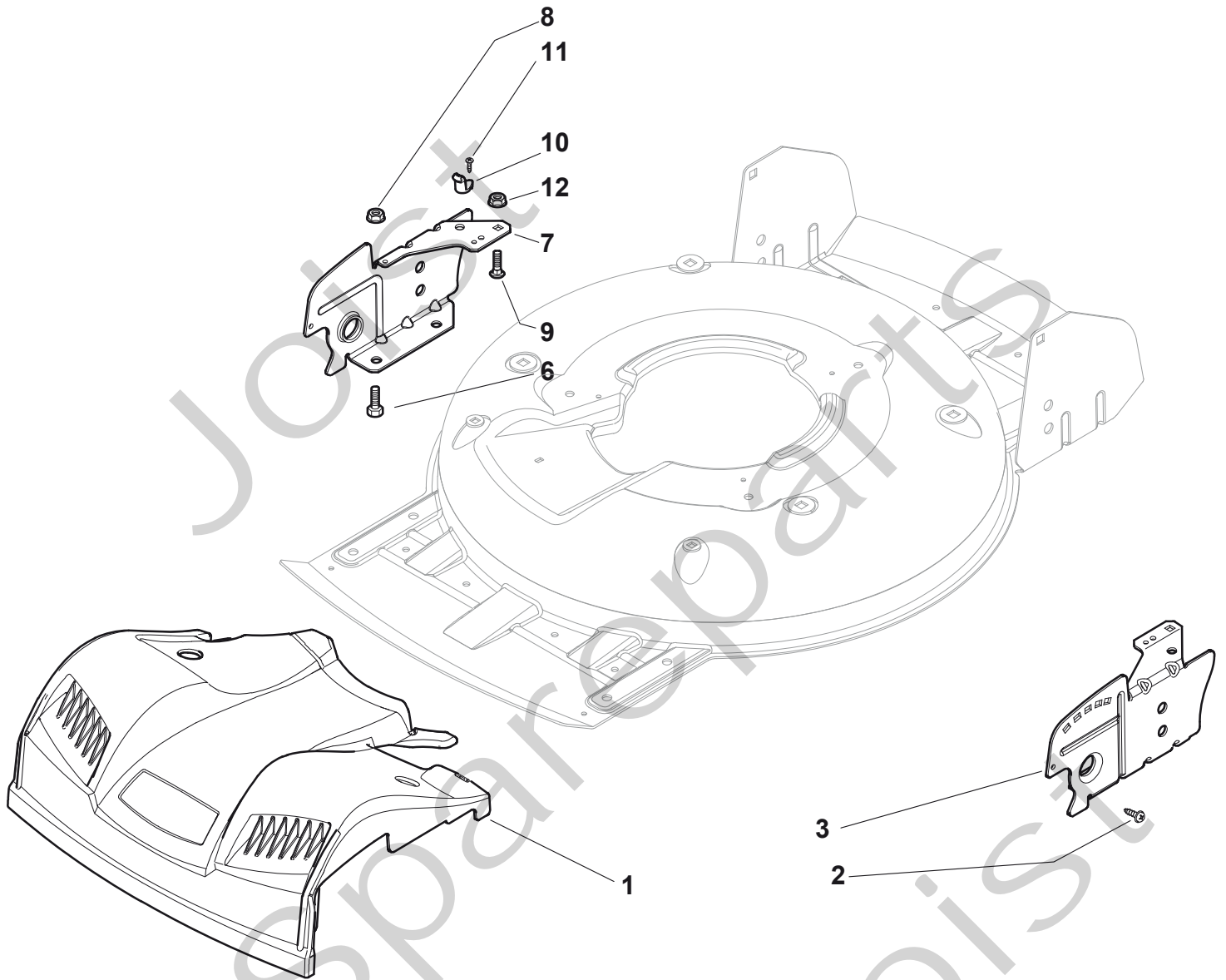
MULTICLIP 50 S INOX PLUS B UNL





MULTICLIP 50 S INOX PLUS B UNL

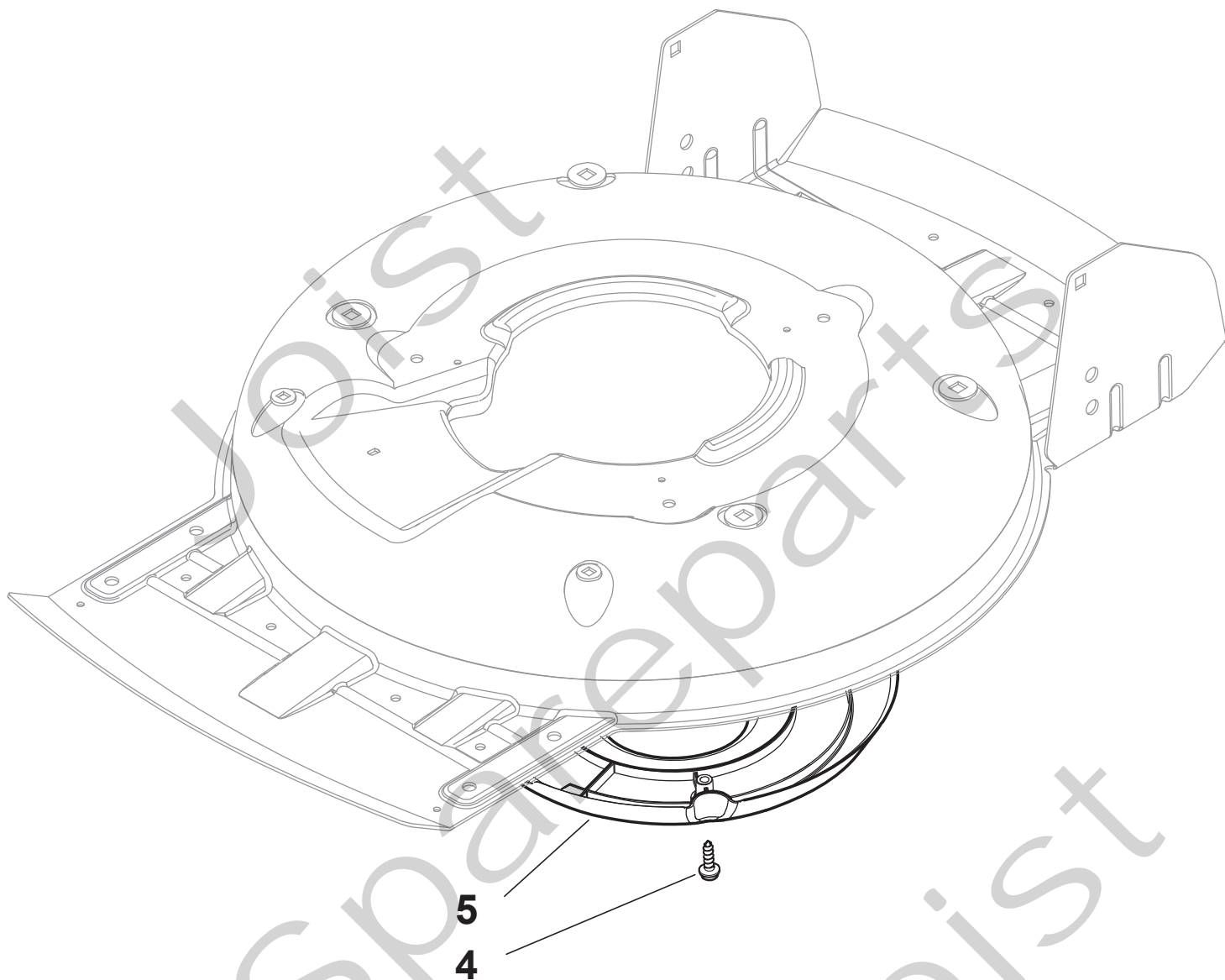
| Pos. Fig. | Antal Quantity | Art No Part No | Benämning | Description | Anmärkning Notes |
|-----------|----------------|----------------|----------------------|--------------------------------|------------------|
| 1 | 1 | 322064691/0 | Chassi INOX | Deck INOX | |
| 3 | 1 | 81002849/0 | Hjulaxel-fram | Axle, Front Wheels | |
| 12 | 4 | 12791011/0 | Skruv | Screw | |
| 13 | 1 | 322545169/0 | Platta-vä | Left Plate, INOX | |
| 14 | 4 | 12154510/0 | Mutter | Nut | |
| 15 | 1 | 322545167/0 | Platta-hö | Right Plate, INOX | |
| 16 | 1 | 81002851/0 | Hjulaxel-bakre | Axle, Rear Wheels | |
| 17 | 2 | 12789000/0 | Skruv | Screw | |
| 18 | 1 | 81003323/0 | Höjdinställningsspak | Lever, Height Adjustment | |
| 19 | 2 | 12154330/0 | Mutter | Nut | |
| 20 | 1 | 12293200/0 | Mutter | Nut | |
| 21 | 1 | 22399812/0 | Knopp | Knob | |
| 22 | 2 | 12735661/0 | Skruv | Screw | |
| 23 | 2 | 22551529/0 | Plåt | Plate | |
| 24 | 2 | 12521330/0 | Bricka | Washer | |
| 25 | 1 | 22033329/0 | Höjdinställn.stång | Rod, Height Adjustment Control | |
| 26 | 2 | 12604899/0 | Låsbricka | Crown Fastener | |
| 27 | 1 | 22446184/0 | Fjäder | Spring | |





MULTICLIP 50 S INOX PLUS B UNL

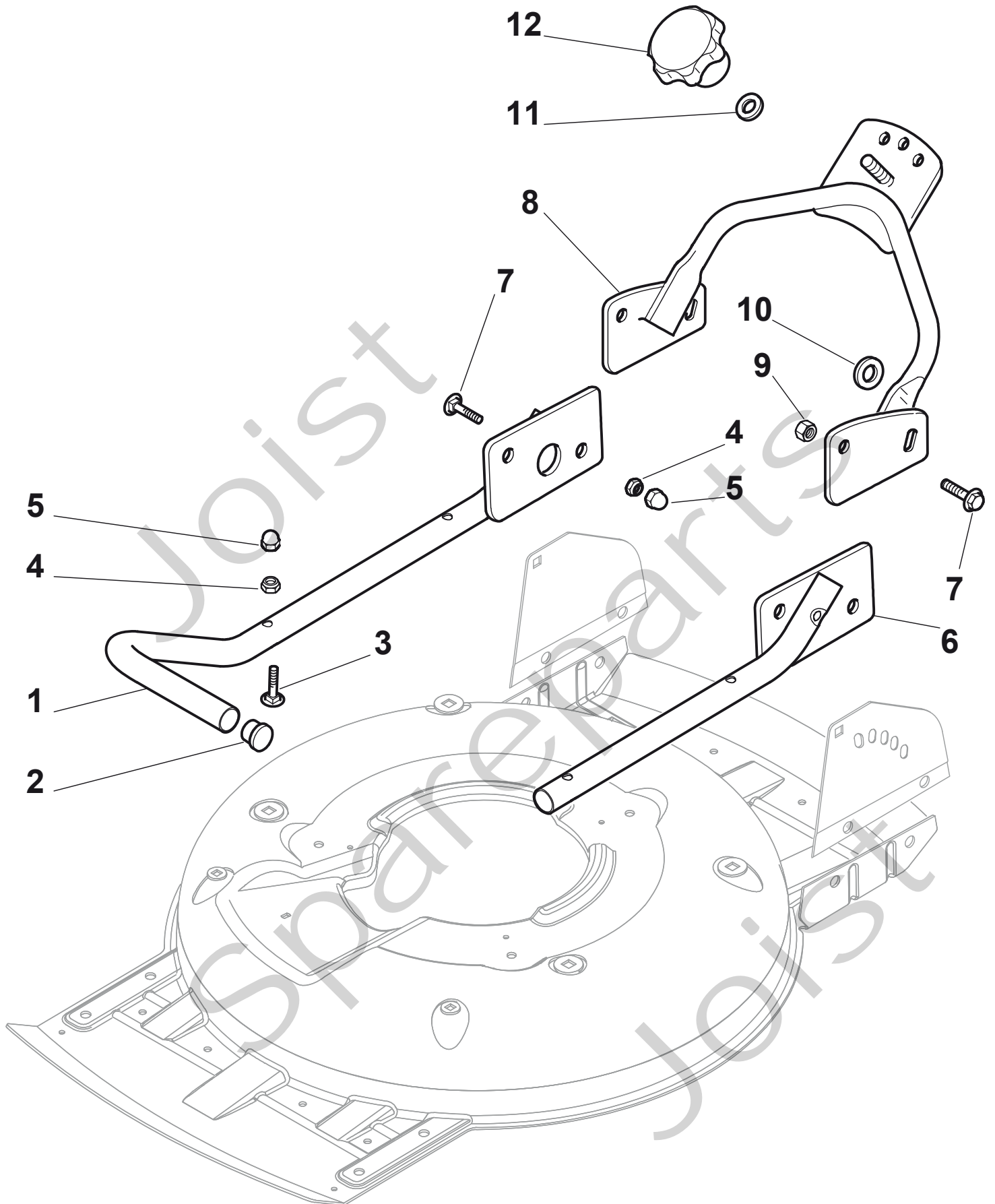
| Pos. Fig. | Antal Quantity | Art No Part No | Benämning | Description | Anmärkning Notes |
|-----------|----------------|----------------|----------------|--------------|------------------|
| 1 | 1 | 322226097/1 | Frontkåpa-gul | Mask, Yellow | |
| 2 | 2 | 12728523/0 | Skruv | Screw | |
| 3 | 1 | 22778421/0 | Fäste-vä | Bracket, L | |
| 6 | 4 | 12792611/0 | Skruv | Screw | |
| 7 | 1 | 22778419/0 | Fäste-hö | Bracket, R | |
| 8 | 4 | 12293201/0 | Mutter | Nut | |
| 9 | 2 | 12815200/0 | Skruv | Screw | |
| 10 | 2 | 22020400/0 | Hållare | Fairlead | |
| 11 | 2 | 12728523/0 | Skruv | Screw | |
| 12 | 2 | 12292102/0 | Mutter (Hydro) | Nut (Hydro) | |



**MULTICLIP 50 S INOX PLUS B UNL**

| Pos. Fig. | Antal Quantity | Art No Part No | Benämning | Description | Anmärkning Notes |
|-----------|----------------|----------------|-----------|-------------|------------------|
| 4 | 3 | 12728530/0 | Skruv | Screw | |
| 5 | 1 | 22060220/0 | Remskydd | Protection | |

MULTICLIP 50 S INOX PLUS B UNL

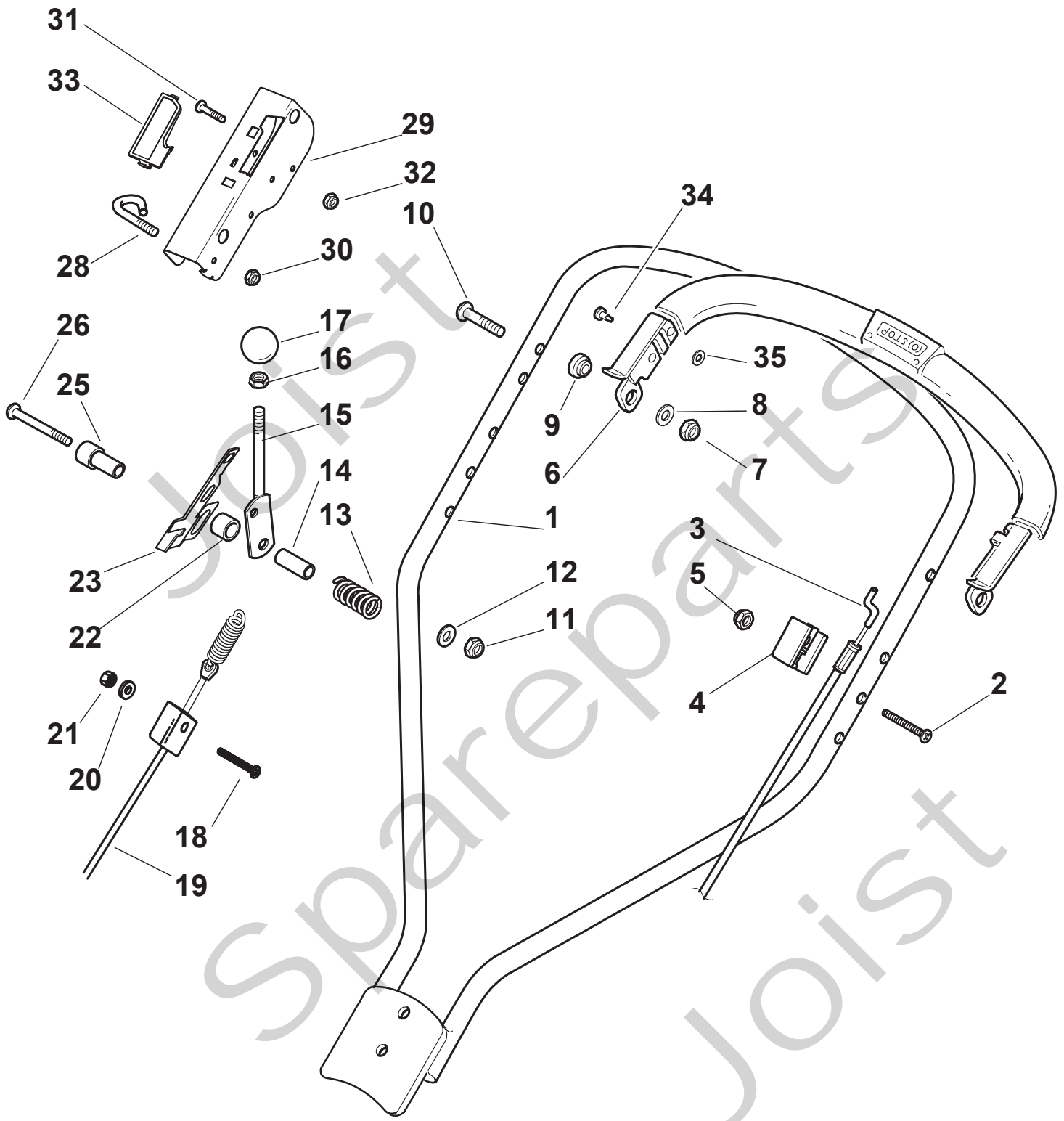




MULTICLIP 50 S INOX PLUS B UNL

| Pos. Fig. | Antal Quantity | Art No Part No | Benämning | Description | Anmärkning Notes |
|-----------|----------------|----------------|--------------------|---------------------------------|------------------|
| 1 | 1 | 81006373/0 | Styre-underdel, hö | Right Handle, Lower Part Yellow | |
| 2 | 4 | 18566114/0 | Plugg | Cap | |
| 3 | 6 | 12819100/0 | Skruv | Screw | |
| 4 | 6 | 12155000/0 | Mutter | Nut | |
| 5 | 6 | 18203854/0 | Tätningshylsa | Protection | |
| 6 | 1 | 81006375/0 | Styre-underdel, vä | Left Handle, Lower Part Yellow | |
| 7 | 4 | 12793102/0 | Skruv | Screw | |
| 8 | 1 | 81006361/0 | Styre-mellandel | Handle, Middle Part Yellow | |
| 9 | 4 | 12155000/0 | Mutter | Nut | |
| 10 | 2 | 12523060/0 | Bricka | Washer | |
| 11 | 1 | 12523080/0 | Bricka | Washer | |
| 12 | 1 | 22399813/0 | Knopp | Knob | |

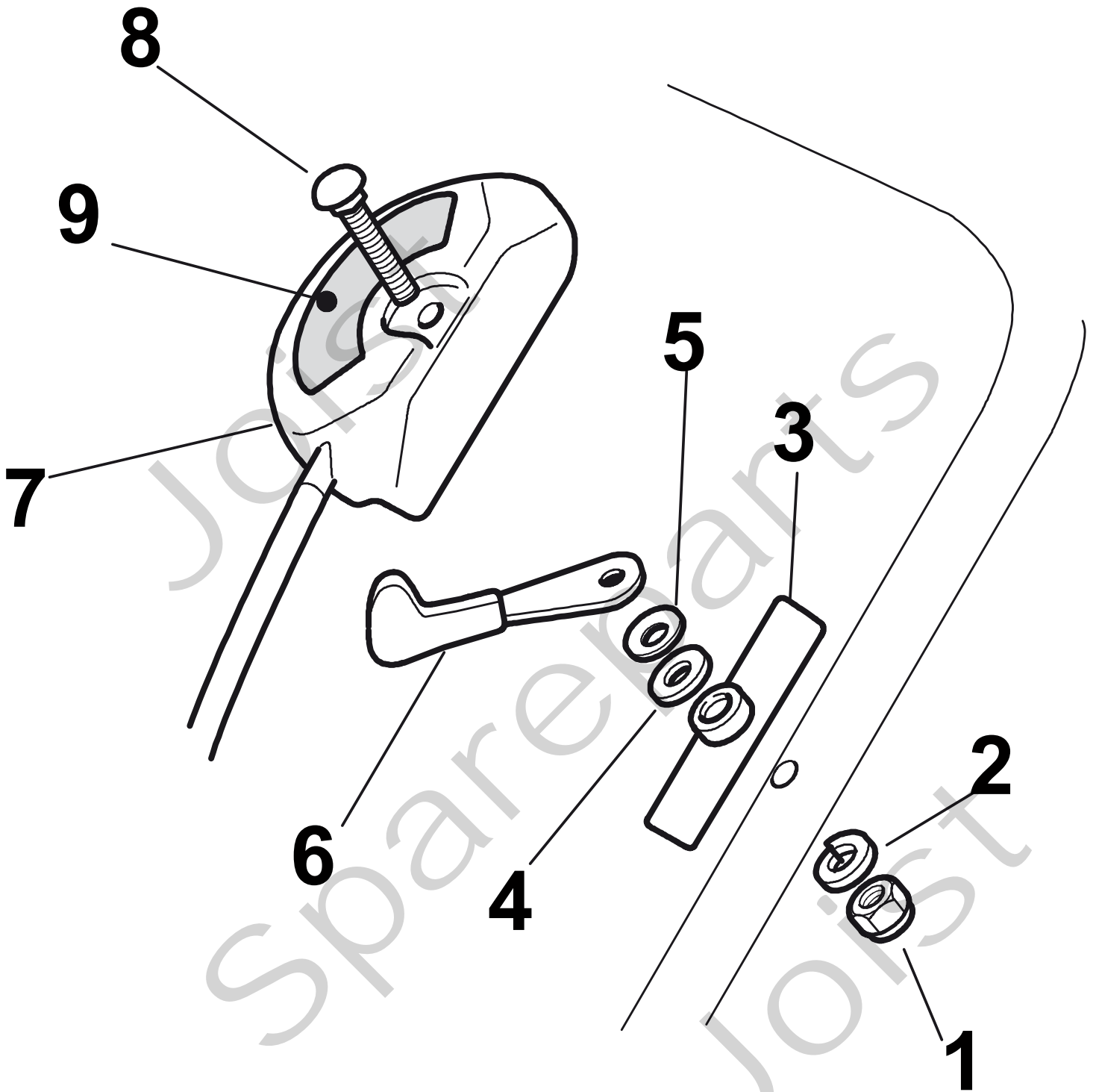
MULTICLIP 50 S INOX PLUS B UNL





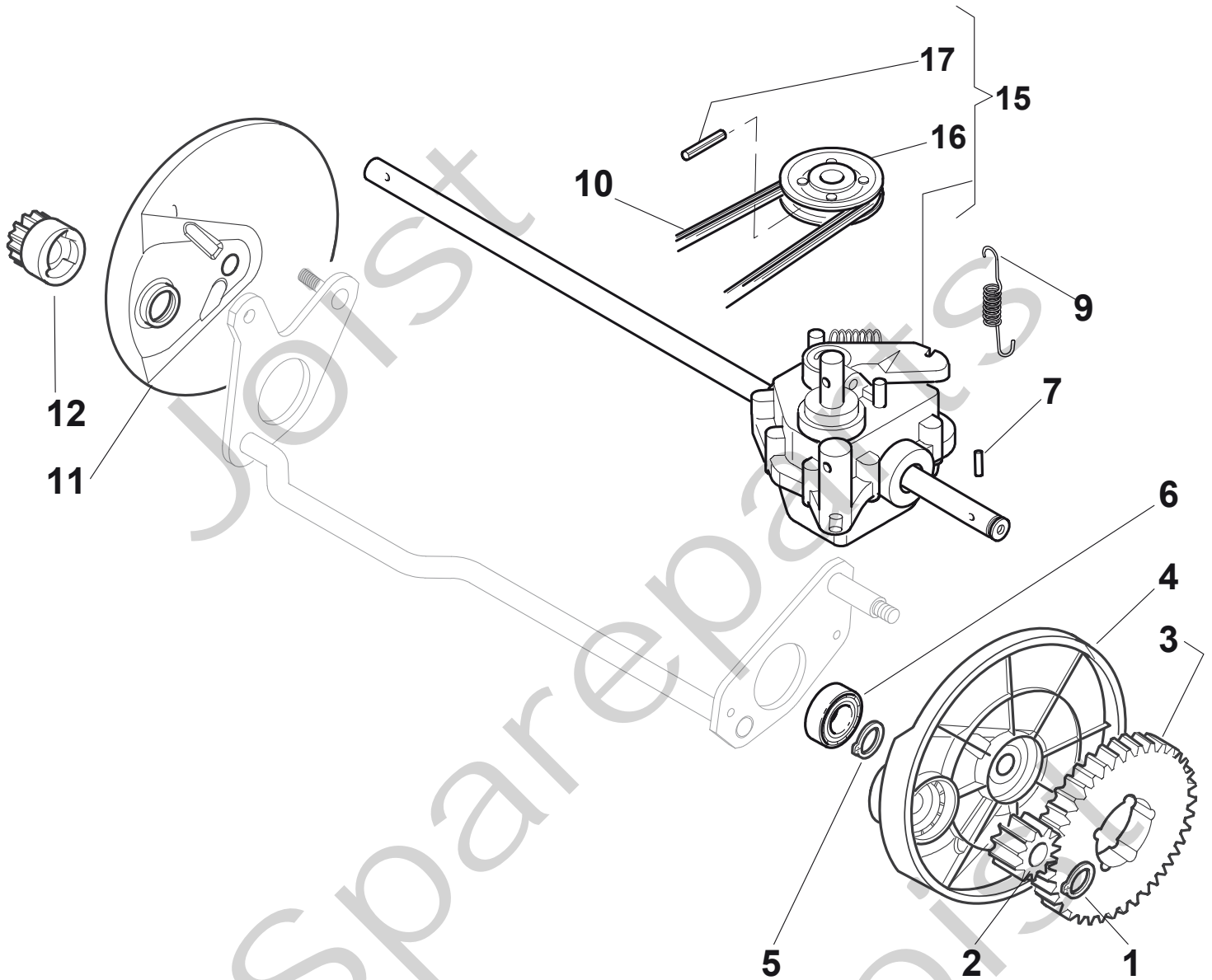
MULTICLIP 50 S INOX PLUS B UNL

| Pos. Fig. | Antal Quantity | Art No Part No | Benämning | Description | Anmärkning Notes |
|-----------|----------------|----------------|-----------------------|----------------------------|------------------|
| 1 | 1 | 81006363/1 | Styre-överdel | Handle, Upper Part Yellow | |
| 2 | 1 | 12727783/0 | Skruv | Screw | |
| 3 | 1 | 181000618/0 | Motorbromswire | Cable, Thread Engine Brake | |
| 4 | 1 | 22551640/0 | Plåt | Plate | |
| 5 | 1 | 12154510/0 | Mutter | Nut | |
| 6 | 1 | 81003318/1 | Reglagebygel | Lever, Engine Brake | |
| 7 | 2 | 12154510/0 | Mutter | Nut | |
| 8 | 2 | 12521330/0 | Bricka | Washer | |
| 9 | 2 | 22671660/1 | Bricka | Washer | |
| 10 | 2 | 12727784/0 | Skruv | Screw | |
| 11 | 1 | 12292100/0 | Mutter | Nut | |
| 12 | 1 | 12530060/0 | Bricka | Elastic Washer | |
| 13 | 1 | 22450446/0 | Fjäder | Spring | |
| 14 | 1 | 22170840/0 | Distans | Spacer | |
| 15 | 1 | 81003313/0 | Reglagebygel-drivning | Lever, Driving | |
| 16 | 1 | 12293200/0 | Mutter | Nut | |
| 17 | 1 | 22399812/0 | Knopp | Knob | |
| 18 | 1 | 12727791/0 | Skruv | Screw | |
| 19 | 1 | 381000745/1 | Kopplingswire | Cable, Rear Drive | |
| 20 | 1 | 12521330/0 | Bricka | Washer | |
| 21 | 1 | 12154510/0 | Mutter | Nut | |
| 22 | 1 | 22170843/0 | Distans | Spacer | |
| 23 | 1 | 22551653/0 | Plåt | Plate | |
| 25 | 1 | 22170842/0 | Distans | Spacer | |
| 26 | 1 | 12727786/0 | Skruv | Screw | |
| 28 | 1 | 22430314/0 | Fjäder | Spring | |
| 29 | 1 | 81004405/0 | Panel | Dash Board | |
| 30 | 1 | 12154510/0 | Mutter | Nut | |
| 31 | 1 | 12727792/0 | Skruv | Screw | |
| 32 | 1 | 12154510/0 | Mutter | Nut | |
| 33 | 1 | 22500050/0 | Glidblock | Shoe | |
| 34 | 1 | 22524342/0 | Stift | Pin | |
| 35 | 1 | 12604897/0 | Bricka | Washer | |



**MULTICLIP 50 S INOX PLUS B UNL**

| Pos. Fig. | Antal Quantity | Art No Part No | Benämning | Description | Anmärkning Notes |
|-----------|----------------|----------------|-----------|-----------------|------------------|
| 1 | 1 | 12291000/0 | Mutter | Nut | |
| 2 | 1 | 12581500/0 | Stift | Grower | |
| 3 | 1 | 22171006/0 | Distans | Spacer | |
| 4 | 1 | 12521360/0 | Bricka | Washer | |
| 5 | 1 | 12508100/0 | Rivet | Spring Washer | |
| 6 | 1 | 81007279/1 | Gasarm | Lever, Throttle | |
| 7 | 1 | 81007080/0 | Gaswire | Throttle Cable | |
| 8 | 1 | 12815030/0 | Skruv | Screw | |
| 9 | 1 | 14356703/0 | Dekal | Label | |

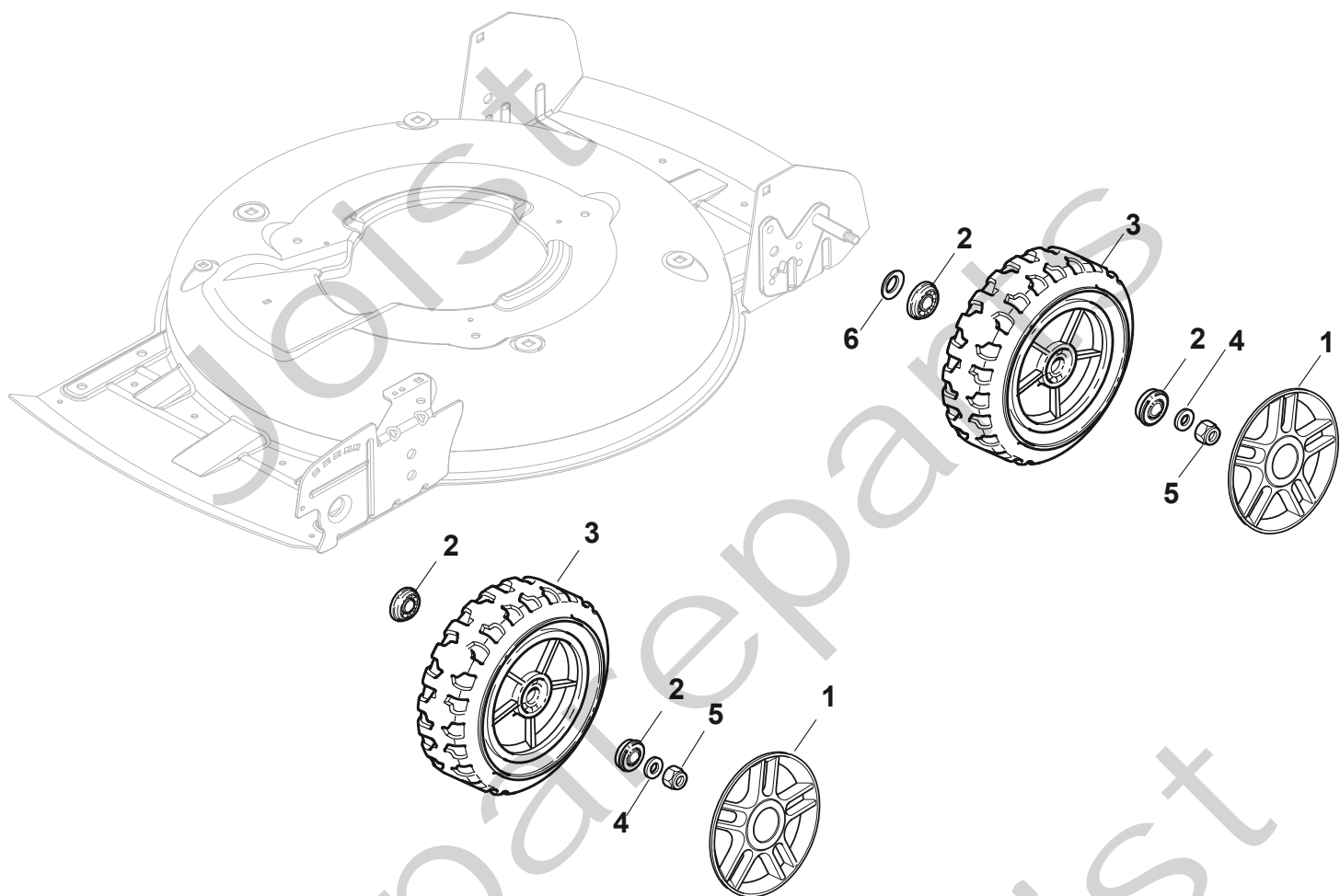




MULTICLIP 50 S INOX PLUS B UNL

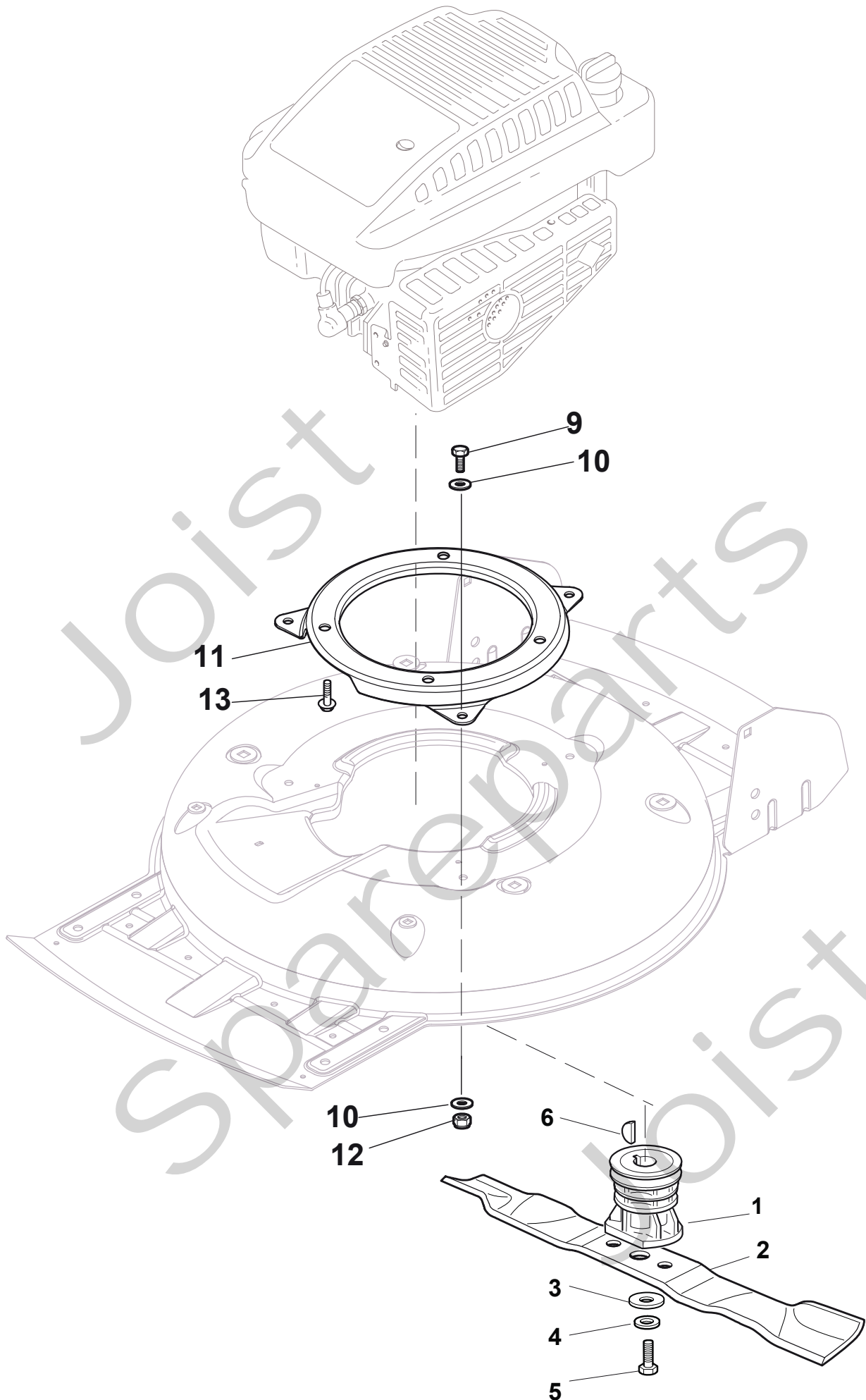
| Pos. Fig. | Antal Quantity | Art No Part No | Benämning | Description | Anmärkning Notes |
|-----------|----------------|----------------|----------------|---------------------|------------------|
| 1 | 2 | 12608600/0 | Seeger | Seeger | |
| 2 | 1 | 22570120/1 | Drev vä | Pinion L | |
| 3 | 2 | 22120105/1 | Navkapsel | Ring Gear | |
| 4 | 1 | 22600092/0 | Hjulskydd | Protection, R Wheel | |
| 5 | 2 | 12608600/0 | Seeger | Seeger | |
| 6 | 2 | 19216035/0 | Låsring | Bearing | |
| 7 | 2 | 22753000/0 | Stift | Pin | |
| 9 | 1 | 22450437/0 | Fjäder | Spring | |
| 10 | 1 | 35063902/0 | Drivrem Z 29,5 | Belt Z 29.5 | |
| 11 | 1 | 22600093/0 | Hjulskydd | Protection, L Wheel | |
| 12 | 1 | 22570110/1 | Drev hö | Pinion R | |
| 15 | 1 | 81003095/0 | Transmission | Gear Box | |
| 16 | 1 | 22601904/0 | Remskiva | Pulley | |
| 17 | 1 | 12645705/0 | Stift | Pin | |

MULTICLIP 50 S INOX PLUS B UNL



**MULTICLIP 50 S INOX PLUS B UNL**

| Pos. Fig. | Antal Quantity | Art No Part No | Benämning | Description | Anmärkning Notes |
|-----------|----------------|----------------|---------------|----------------|------------------|
| 1 | 4 | 22110492/0 | Navkapsel-grå | Hub Cap Grey | |
| 2 | 8 | 22122200/0 | Panel | Bearing | |
| 3 | 4 | 381007390/1 | Hjul Ø 210 | Wheel Ø 210 | |
| 4 | 4 | 12521350/0 | Bricka | Washer | |
| 5 | 4 | 12155000/0 | Mutter | Nut | |
| 6 | 2 | 12530150/0 | Bricka | Elastic Washer | |





MULTICLIP 50 S INOX PLUS B UNL

| Pos. Fig. | Antal Quantity | Art No Part No | Benämning | Description | Anmärkning Notes |
|-----------|----------------|----------------|--------------|------------------------------------|------------------|
| 1 | 1 | 122465607/3 | Fläkt Ø 22.2 | Hub With Pulley, Crankshaft Ø 22.2 | |
| 2 | 1 | 81004146/0 | Kniv | Blade Standard | |
| 3 | 1 | 22160400/0 | Dammskydd | Dust Cover | |
| 4 | 1 | 12523080/0 | Bricka | Washer | |
| 5 | 1 | 12735698/0 | Skruv | Screw | |
| 6 | 1 | 12139100/0 | Kil | Feather, Crankshaft Ø 22.2 | |
| 9 | 3 | 12792611/0 | Skruv | Screw | |
| 10 | 6 | 12523060/0 | Bricka | Washer | |
| 11 | 1 | 322207219/1 | Fläns | Flange | |
| 12 | 3 | 12293201/0 | Mutter | Nut | |
| 13 | 3 | 112735108/1 | Skruv | Screw | |