

Genuine Spare Parts

www.stiga.com

COLLECTOR 53 S Model Year 2011

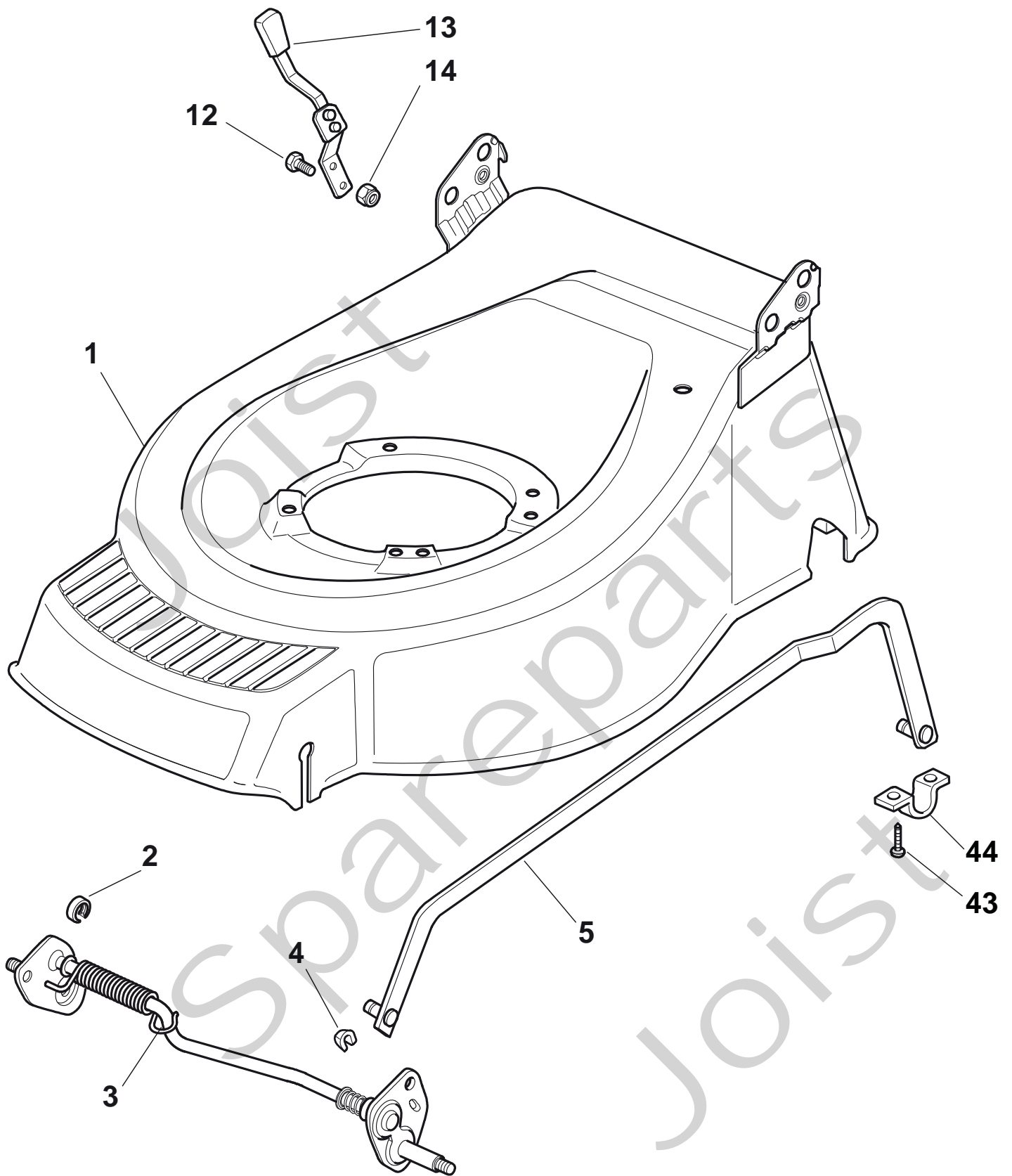
- Use GLOBAL GARDEN PRODUCT Genuine Spare Parts specified in the parts list for repair and/or replacement.
- The contents described in the parts list may change due to improvement.
- The drawings of the spare parts are only indicative and might not represent the part in question exactly.
- The indications "right" - "left" - "front" - "rear" refer to the position of the operator when using the machine.
- When placing orders of parts for repair and/or replacement, make sure that the illustrated parts list is the one applying to the machine's year of manufacture, as shown on the identification plate attached to the machine.

COPYRIGHT by GLOBAL GARDEN PRODUCTS

All rights reserved. No part of this material may be reproduced or transmitted, in any form or by any means, electronic or mechanical, including photocopying, recording or by any information storage and retrieval system, without permission in writing from GLOBAL GARDEN PRODUCTS.

STIGA®

COLLECTOR 53 S

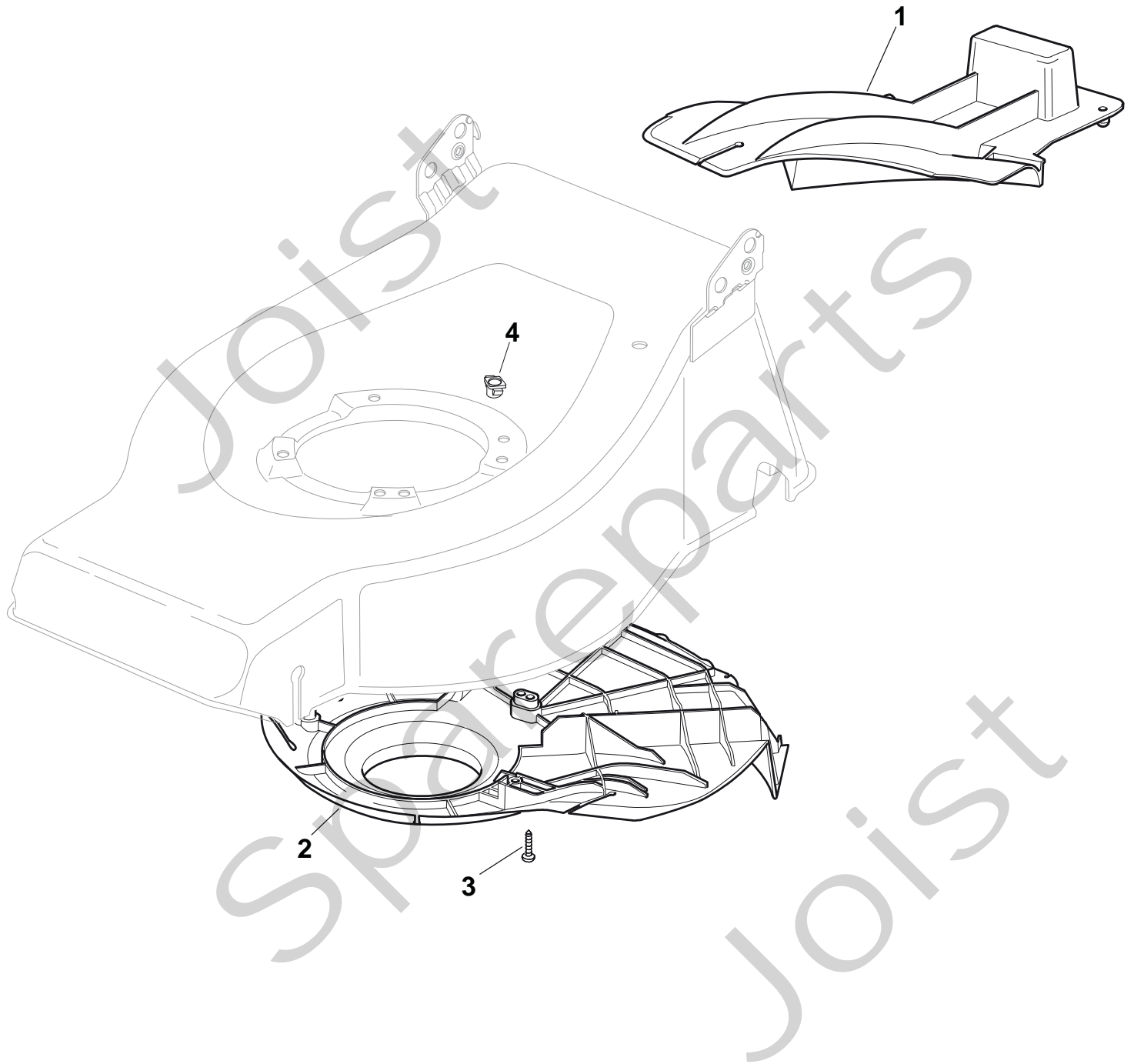




COLLECTOR 53 S

Pos. Fig.	Antal Quantity	Art No Part No	Benämning	Description	Anmärkning Notes
1	1	81001955/1	Chassi-gul	Deck Yellow	
2	1	22171002/0	Distans	Spacer	
3	1	81000143/1	Hjulaxel-ram	Axle, Front Wheels	
4	2	112436051/0	Plåt	Plate	
5	1	381002021/0	Höjdinställn.stång	Rod, Height Adjustment	
12	2	12789000/0	Skruv	Screw	
13	1	81003283/1	Höjdinställningsspak	Lever, Height Adjustment	
14	2	12154320/0	Mutter	Nut	
43	4	12731350/0	Skruv	Screw	
44	2	22545152/0	Plåt	Plate	

COLLECTOR 53 S

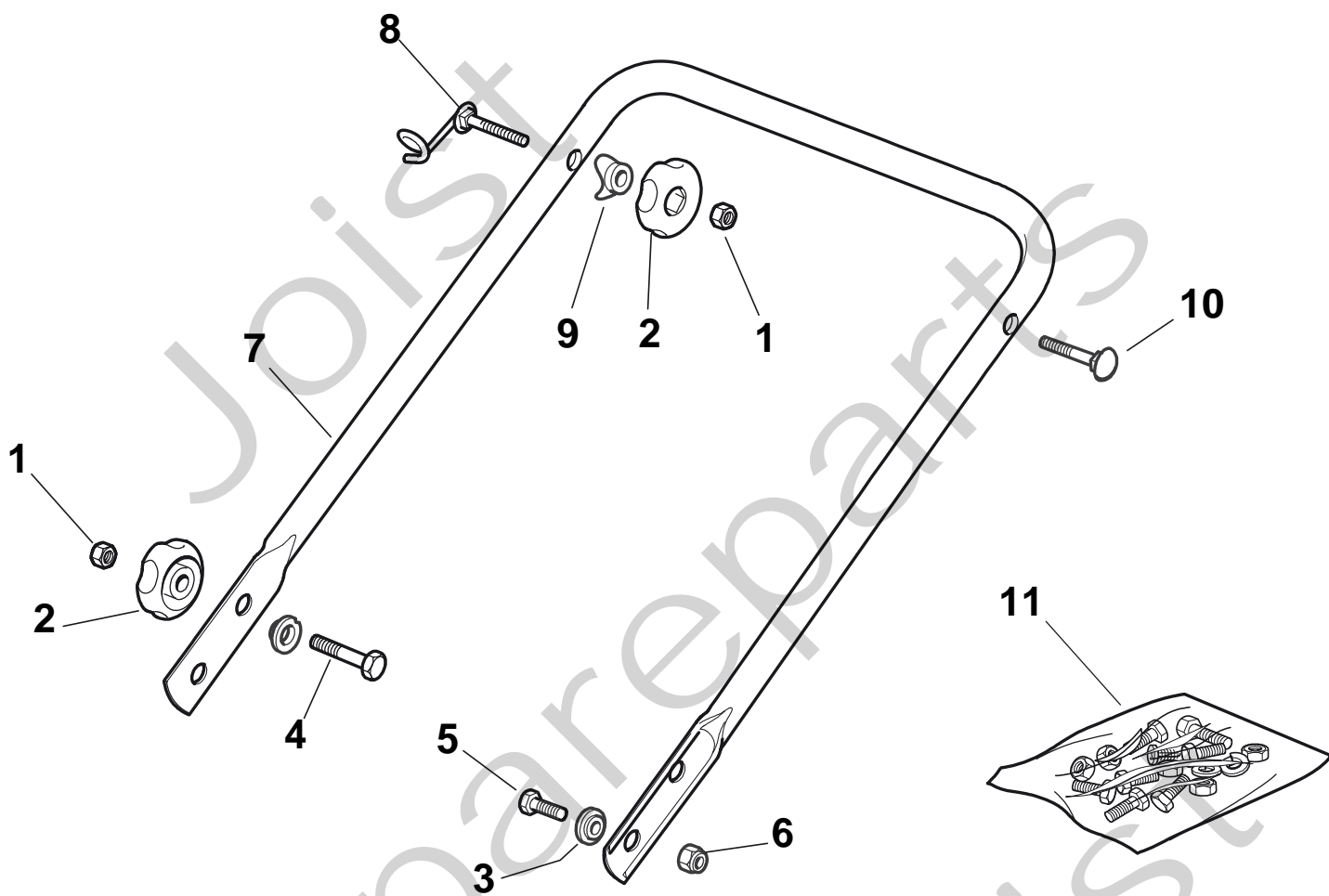




COLLECTOR 53 S

Pos. Fig.	Antal Quantity	Art No Part No	Benämning	Description	Anmärkning Notes
1	1	22140222/0	Deflektor	Deflector	
2	1	322060197/2	Remskydd	Protection, Belt	
3	3	12728530/0	Skruv	Screw	
4	1	22291150/0	Handtag	Rubber Insert	

COLLECTOR 53 S

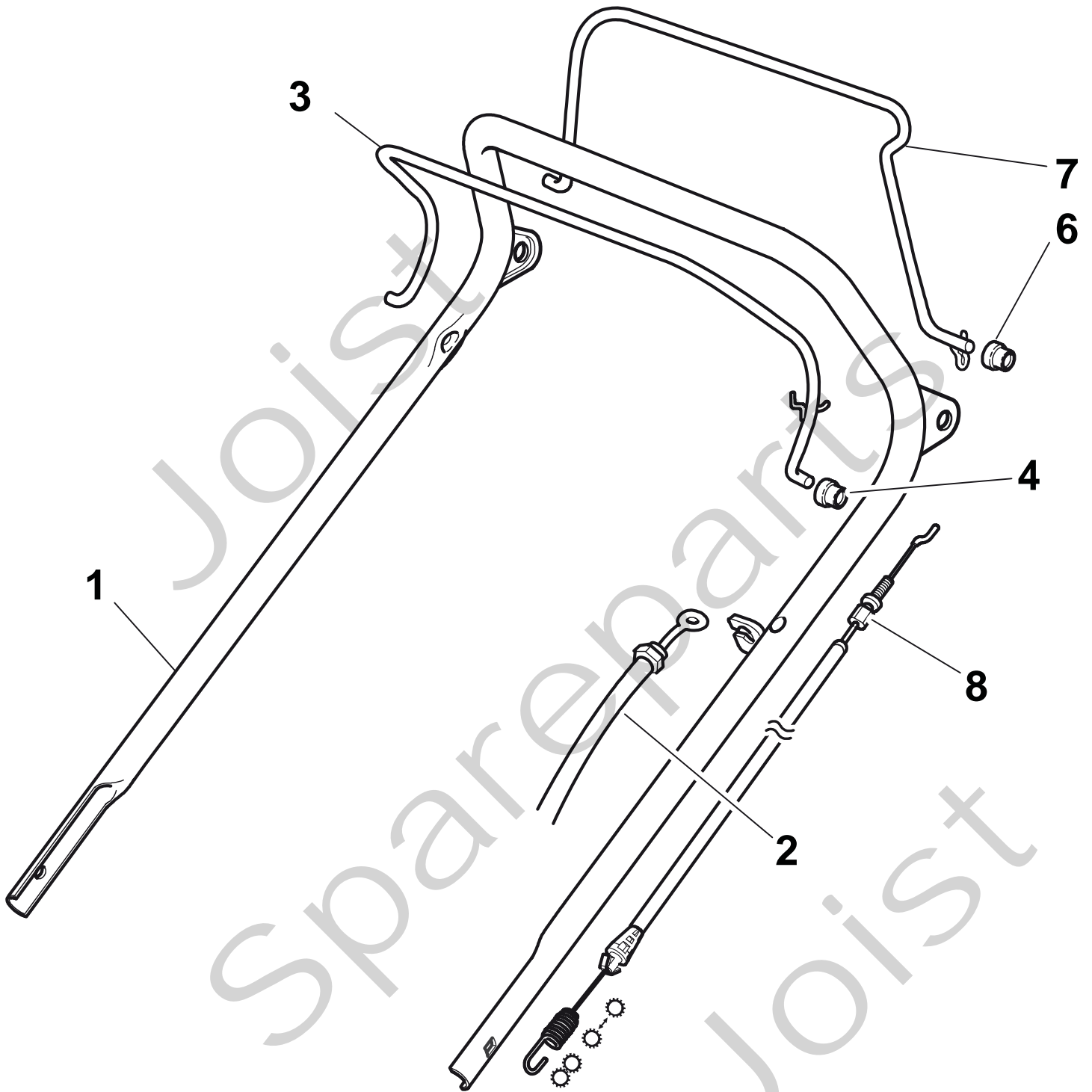




COLLECTOR 53 S

Pos. Fig.	Antal Quantity	Art No Part No	Benämning	Description	Anmärkning Notes
1	4	12293200/0	Mutter	Nut	
2	4	322399804/1	Knopp	Knob	
3	4	22041955/0	Bussning	Bush	
4	2	12793700/0	Skruv	Screw	
5	2	12792610/0	Skruv	Screw	
6	2	12155000/0	Mutter	Nut	
7	1	81006521/0	Styre-underdel	Handle, Lower Part	
8	1	81003801/1	Fjäder	Guide Spring	
9	2	22680006/1	Bricka	Washer	
10	1	12819201/0	Skruv	Screw	
11	1	81008614/3	Skruvsats	Outfit, Screws	

COLLECTOR 53 S

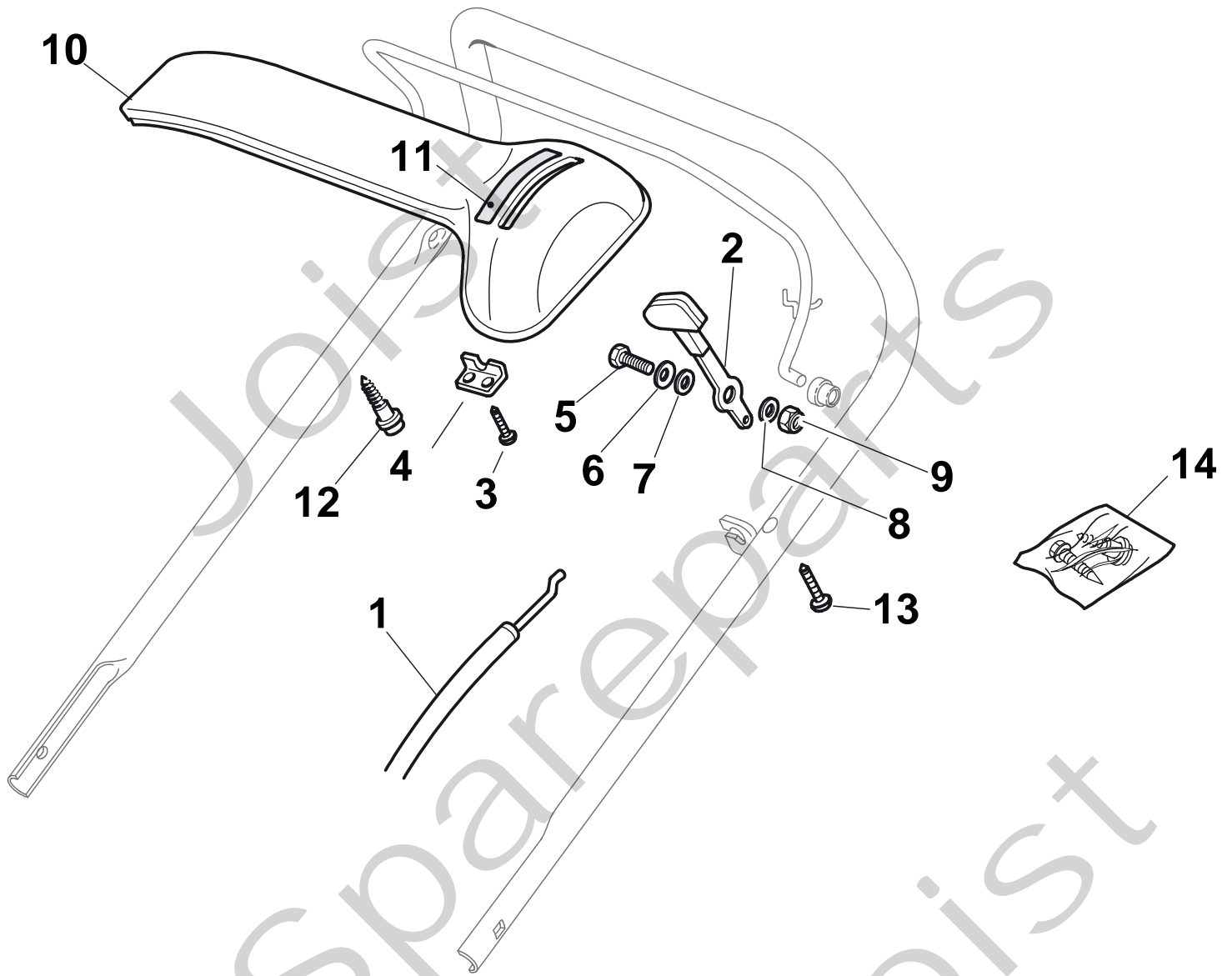




COLLECTOR 53 S

Pos. Fig.	Antal Quantity	Art No Part No	Benämning	Description	Anmärkning Notes
1	1	81007024/0	Styre-överdel	Handle, Upper Part	
2	1	81000640/0	Motorbromswire	Cable, Thread Engine Brake	
3	1	81003291/3	Reglagebygel	Lever, Engine Brake	
4	2	22041966/0	Bussning	Bush	
6	2	22041965/1	Bussning	Bush	
7	1	81003288/1	Reglagebygel-drivning	Lever, Driving	

COLLECTOR 53 S

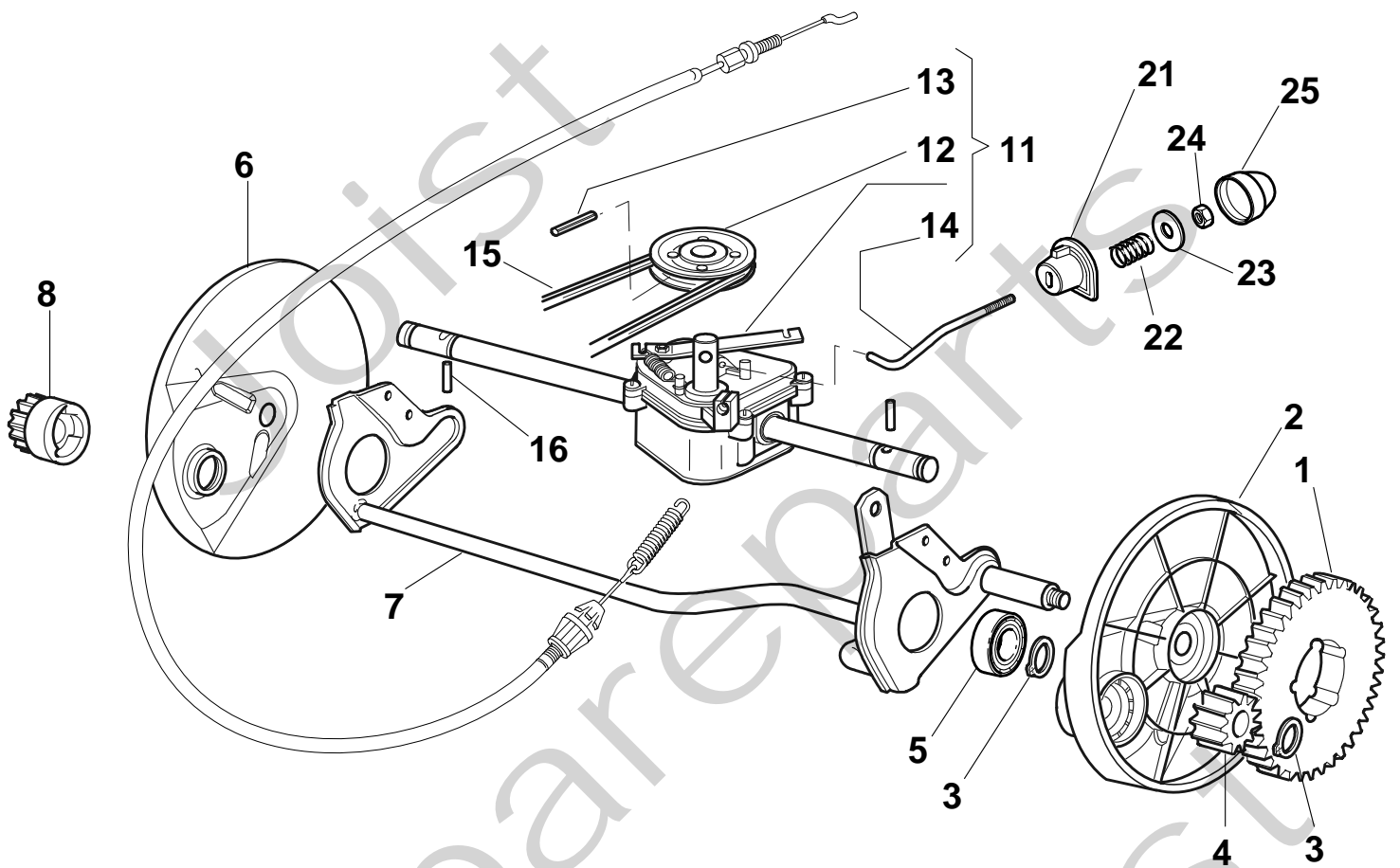




COLLECTOR 53 S

Pos. Fig.	Antal Quantity	Art No Part No	Benämning	Description	Anmärkning Notes
1	1	81007160/0	Gaswire	Throttle Cable	
2	1	81007280/2	Gasarm	Lever, Throttle	
3	2	12735105/0	Skruv	Screw	
4	1	22981467/0	Plåt	Plate	
5	1	12791500/0	Skruv	Screw	
6	1	12530060/0	Bricka	Elastic Washer	
7	1	12523040/0	Bricka	Washer	
8	1	12523040/0	Bricka	Washer	
9	1	12154510/0	Mutter	Nut	
10	1	22120158/0	Panel	Dash Board Black	
11	1	114356743/1	Skruv	Label	
12	1	22943006/0	Skruv	Screw	
13	1	12728460/0	Skruv	Screw	
14	1	81008609/0	Skruvsats-panel	Outfit, Dash-Board Screws	

COLLECTOR 53 S

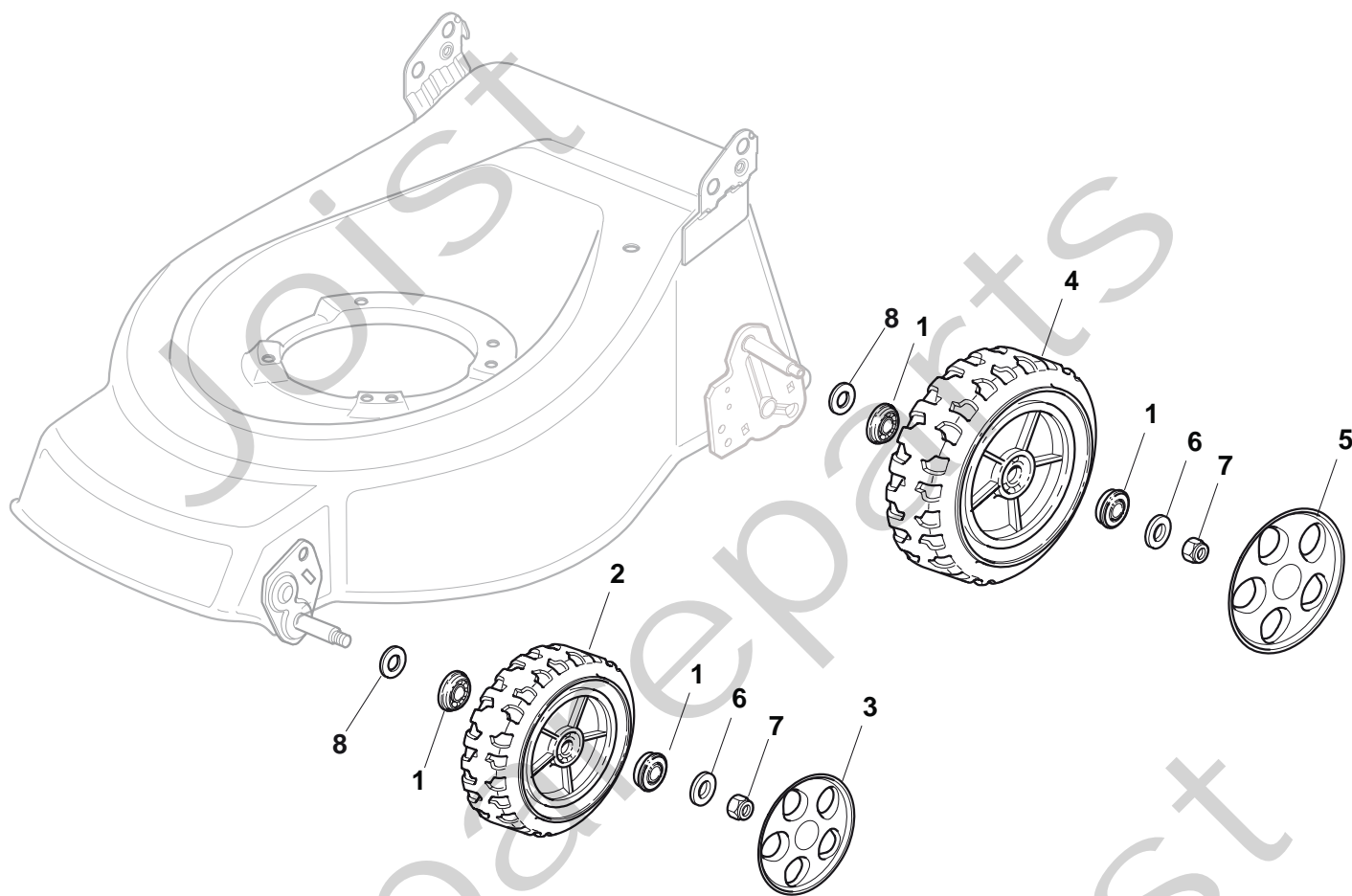




COLLECTOR 53 S

Pos. Fig.	Antal Quantity	Art No Part No	Benämning	Description	Anmärkning Notes
1	2	22120105/1	Navkapsel	Ring Gear	
2	1	22600093/0	Hjulskydd	Protection, L Wheel	
3	4	12608600/0	Seeger	Seeger	
4	1	22570120/1	Drev vä	Pinion L	
5	2	19216035/0	Låsring	Bearing	
6	1	22600092/0	Hjulskydd	Protection, R Wheel	
7	1	81000147/0	Hjulaxel-bakre	Axle, Rear Wheels	
8	1	22570110/1	Drev hö	Pinion R	
11	1	181003092/0	Uppsamlingsäck	Gear Box	
12	1	22601904/0	Remskiva	Pulley	
13	1	12645705/0	Stift	Pin	
14	1	22033283/0	Justerstång	Adjustment Rod	
15	1	35063902/0	Drivrem Z 29,5	Belt Z 29.5	
16	2	22753000/0	Stift	Pin	
21	1	22041957/1	Bussning	Bush	
22	1	22450063/0	Fjäder	Spring	
23	1	22680009/0	Bricka	Washer	
24	1	12154510/0	Mutter	Nut	
25	1	22110230/0	Huvstöd	Cap	

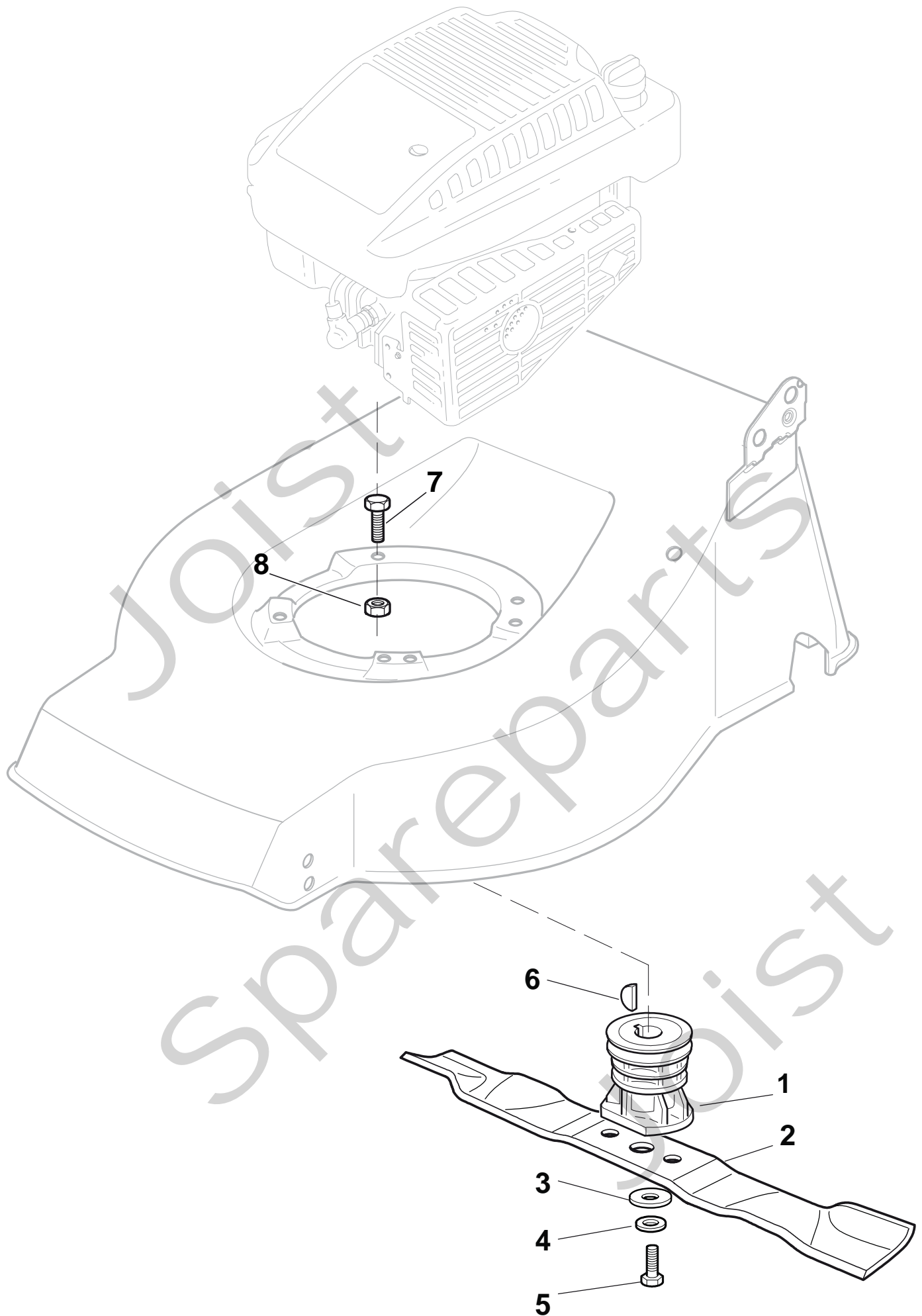
COLLECTOR 53 S





COLLECTOR 53 S

Pos. Fig.	Antal Quantity	Art No Part No	Benämning	Description	Anmärkning Notes
1	8	22122200/0	Panel	Bearing	
2	2	81007351/0	Hjul Ø 170	Wheel, Knobbly Ø 170	
3	2	22110416/0	Navkapsel	Hub Cap	
4	2	81007343/0	Hjul Ø 210	Wheel Ø 210	
5	2	22110417/0	Navkapsel	Hub Cap	
6	4	12523060/0	Bricka	Washer	
7	4	12155000/0	Mutter	Nut	
8	4	12530150/0	Bricka	Elastic Washer	

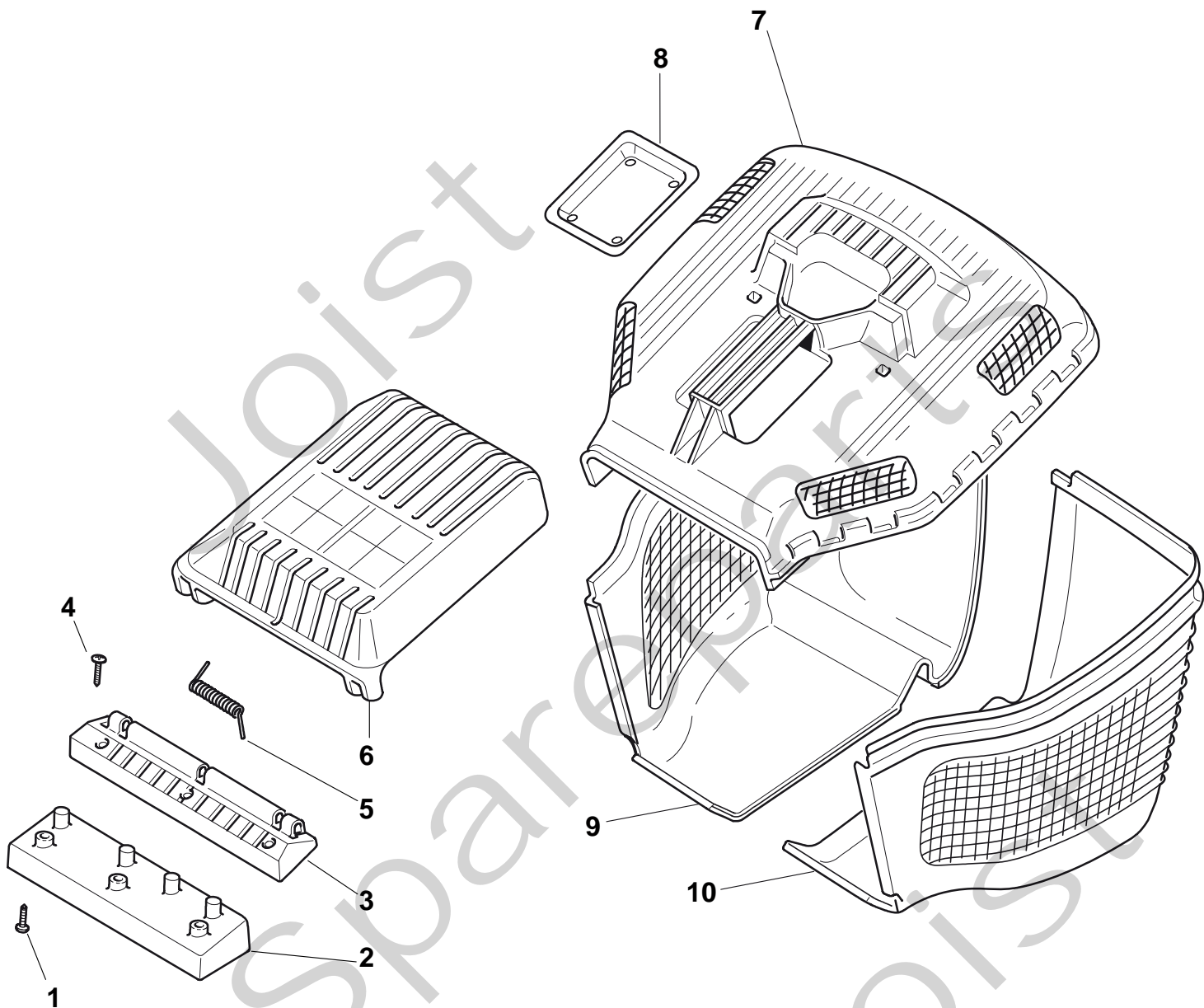




COLLECTOR 53 S

Pos. Fig.	Antal Quantity	Art No Part No	Benämning	Description	Anmärkning Notes
1	1	122465608/2	Knivfäste Ø 25	Hub With Pulley, Crankshaft Ø 25	
2	1	81004381/1	Kniv	Blade Standard	
2	1	81004398/0	Kniv	Blade Winged	
3	1	22160400/0	Dammskydd	Dust Cover	
4	1	12523080/0	Bricka	Washer	
5	1	12735698/0	Skruv	Screw	
6	1	12139150/0	Kil	Feather, Crankshaft Ø 25	
7	1	12691800/0	Skruv	Screw (Peerless)	
7	2	12793701/0	Skruv	Screw	
8	1	12155000/0	Mutter	Nut	
8	2	12293201/0	Mutter	Nut	

COLLECTOR 53 S





COLLECTOR 53 S

Pos. Fig.	Antal Quantity	Art No Part No	Benämning	Description	Anmärkning Notes
1	3	12731600/1	Skruv	Screw	
2	1	22785127/0	Fäste	Support	
3	1	22785119/0	Luckhållare	Fulcrum Pin	
4	3	12728680/0	Skruv	Screw	
5	1	22450430/0	Fjäder	Spring	
6	1	22600068/1	Lucka	Stone-Guard, Black	
7	1	22486095/0	Uppsamlare-överdel	Grass-Box, Upper Part	
8	1	22486098/0	Plåt	Plate	
9	1	22486099/0	Uppsamlare-underdel	Grass-Box, R Lower	
10	1	22486100/0	Uppsamlare-underdel	Grass-Box, L Lower	