

# Genuine Spare Parts

www.stiga.com

## TURBO EXCEL 50 SE B Model Year 2011

- Use GLOBAL GARDEN PRODUCT Genuine Spare Parts specified in the parts list for repair and/or replacement.
- The contents described in the parts list may change due to improvement.
- The drawings of the spare parts are only indicative and might not represent the part in question exactly.
- The indications "right" - "left" - "front" - "rear" refer to the position of the operator when using the machine.
- When placing orders of parts for repair and/or replacement, make sure that the illustrated parts list is the one applying to the machine's year of manufacture, as shown on the identification plate attached to the machine.

COPYRIGHT by GLOBAL GARDEN PRODUCTS

All rights reserved. No part of this material may be reproduced or transmitted, in any form or by any means, electronic or mechanical, including photocopying, recording or by any information storage and retrieval system, without permission in writing from GLOBAL GARDEN PRODUCTS.

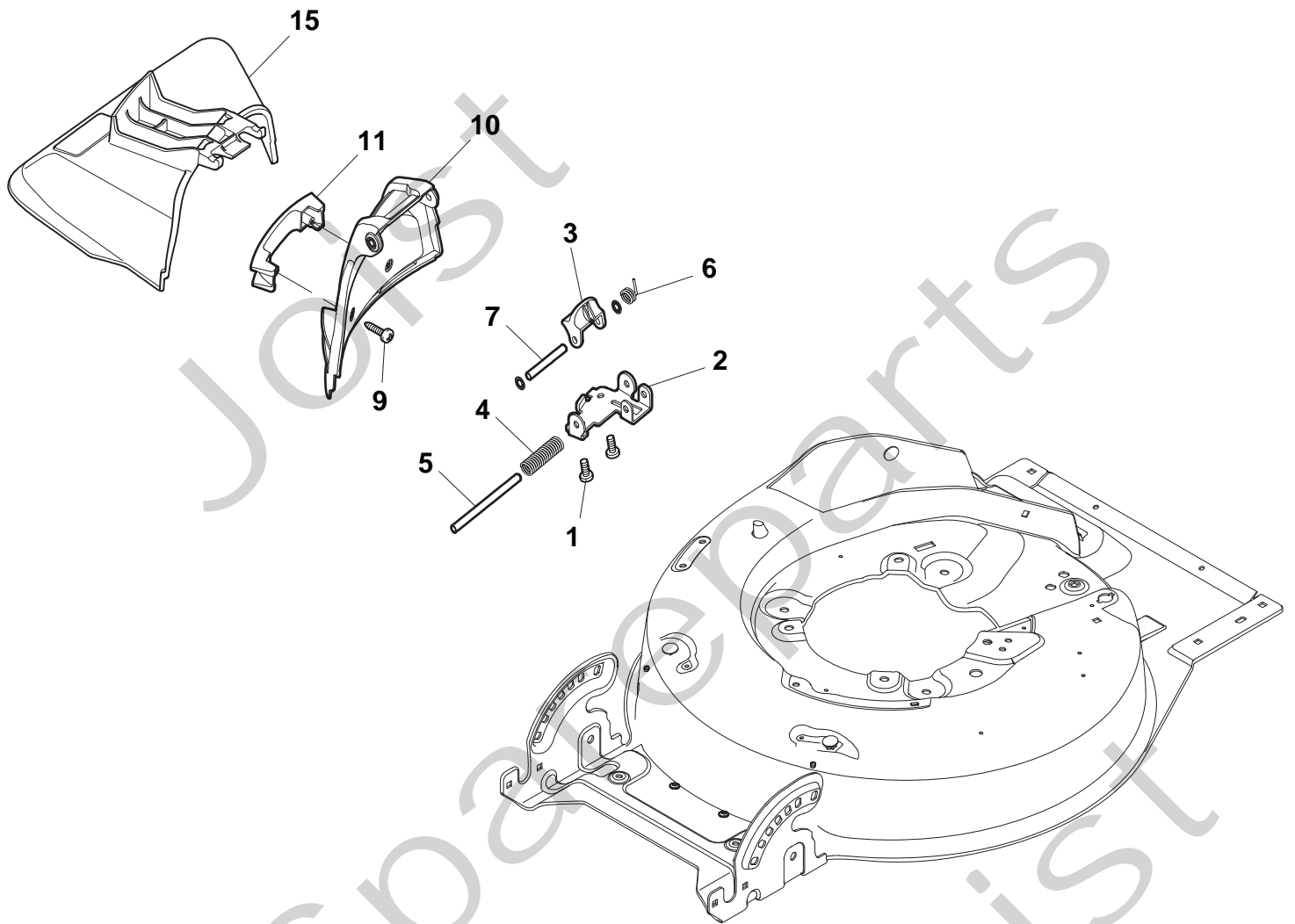






## TURBO EXCEL 50 SE B

| Pos. Fig. | Antal Quantity | Art No Part No | Benämning           | Description         | Anmärkning Notes |
|-----------|----------------|----------------|---------------------|---------------------|------------------|
| 1         | 1              | 381003865/0    | Chassi-gul          | Deck Yellow         |                  |
| 2         | 1              | 322034001/1    | Slanganslutning     | Washing Connection  |                  |
| 3         | 5              | 125943004/0    | Skruv               | Screw               |                  |
| 4         | 2              | 112727802/0    | Skruv               | Screw               |                  |
| 5         | 1              | 322108297/0    | Inmatningstratt-gul | Conveyor Yellow     |                  |
| 6         | 12             | 112437507/0    | Plåt                | Plate               |                  |
| 7         | 8              | 112727802/0    | Skruv               | Screw               |                  |
| 8         | 1              | 381545321/1    | Platta              | Rear Plate          |                  |
| 8         | 1              | 381545323/1    | Platta              | Rear Plate          |                  |
| 9         | 1              | 322785282/0    | Fäste               | Support             |                  |
| 10        | 1              | 381545333/0    | Fäste-vå            | Bracket, L          |                  |
| 11        | 1              | 322545191/0    | Fäste               | Support             |                  |
| 12        | 2              | 112727803/0    | Skruv               | Screw               |                  |
| 13        | 4              | 12154510/0     | Mutter              | Nut                 |                  |
| 14        | 1              | 12521330/0     | Bricka              | Washer              |                  |
| 15        | 1              | 12815200/0     | Skruv               | Screw               |                  |
| 16        | 4              | 12818690/0     | Skruv               | Screw               |                  |
| 17        | 4              | 12521350/0     | Bricka              | Washer              |                  |
| 18        | 4              | 12155000/0     | Mutter              | Nut                 |                  |
| 19        | 2              | 12729601/1     | Skruv               | Screw               |                  |
| 21        | 1              | 381545331/0    | Fäste-hö            | Bracket, R          |                  |
| 22        | 2              | 112735662/1    | Skruv               | Screw               |                  |
| 23        | 2              | 122534128/0    | Remstyrning         | Pin                 |                  |
| 25        | 2              | 381393701/1    | Skydd               | Protection          |                  |
| 26        | 2              | 12815205/0     | Skruv               | Screw               |                  |
| 27        | 2              | 12154510/0     | Mutter              | Nut                 |                  |
| 28        | 1              | 381102202/0    | Remskydd            | Protection Mulching |                  |
| 29        | 2              | 125943004/0    | Skruv               | Screw               |                  |
| 30        | 3              | 112735115/0    | Skruv               | Screw               |                  |
| 31        | 1              | 322500052/2    | Glidblock           | Shoe                |                  |
| 32        | 2              | 12731580/0     | Skruv               | Screw               |                  |
| 33        | 2              | 12521331/0     | Bricka              | Washer              |                  |
| 34        | 1              | 381003338/0    | Arm                 | Lever               |                  |
| 35        | 1              | 21660100/0     | Bricka              | Washer              |                  |
| 36        | 1              | 12521370/0     | Bricka              | Washer              |                  |
| 37        | 1              | 12154210/0     | Mutter (20 Hp)      | Nut (20 Hp)         |                  |
| 38        | 1              | 322320009/0    | Arm                 | Lever               |                  |
| 39        | 1              | 122042022/0    | Hjulaxel-bakre      | Bush                |                  |
| 40        | 3              | 125943004/0    | Skruv               | Screw               |                  |
| 41        | 1              | 322109826/0    | Skydd               | Guard Black         |                  |
| 42        | 1              | 322109825/0    | Skydd               | Guard Black         |                  |
| 45        | 1              | 322500100/0    | Air Intake Grill    | Air Intake Grill    |                  |
| 46        | 6              | 112728706/0    | Skruv               | Screw               |                  |
| 48        | 1              | 322226138/0    | Frontkåpa-svart     | Mask, Black         |                  |
| 49        | 2              | 112727801/0    | Skruv               | Screw               |                  |
| 50        | 2              | 112815270/0    | Skruv               | Screw               |                  |
| 51        | 2              | 122671664/0    | Distans             | Spacer              |                  |
| 52        | 2              | 12540040/0     | Bricka              | Washer              |                  |
| 53        | 6              | 325160039/0    | Distans             | Spacer              |                  |
| 54        | 1              | 112794986/0    | Skruv               | Screw               |                  |
| 55        | 2              | 112727799/0    | Skruv               | Screw               |                  |
| 56        | 1              | 12521350/0     | Bricka              | Washer              |                  |
| 57        | 1              | 12155000/0     | Mutter              | Nut                 |                  |
| 58        | 1              | 381608501/0    | Trådbygel           | Stiffening Lower    |                  |

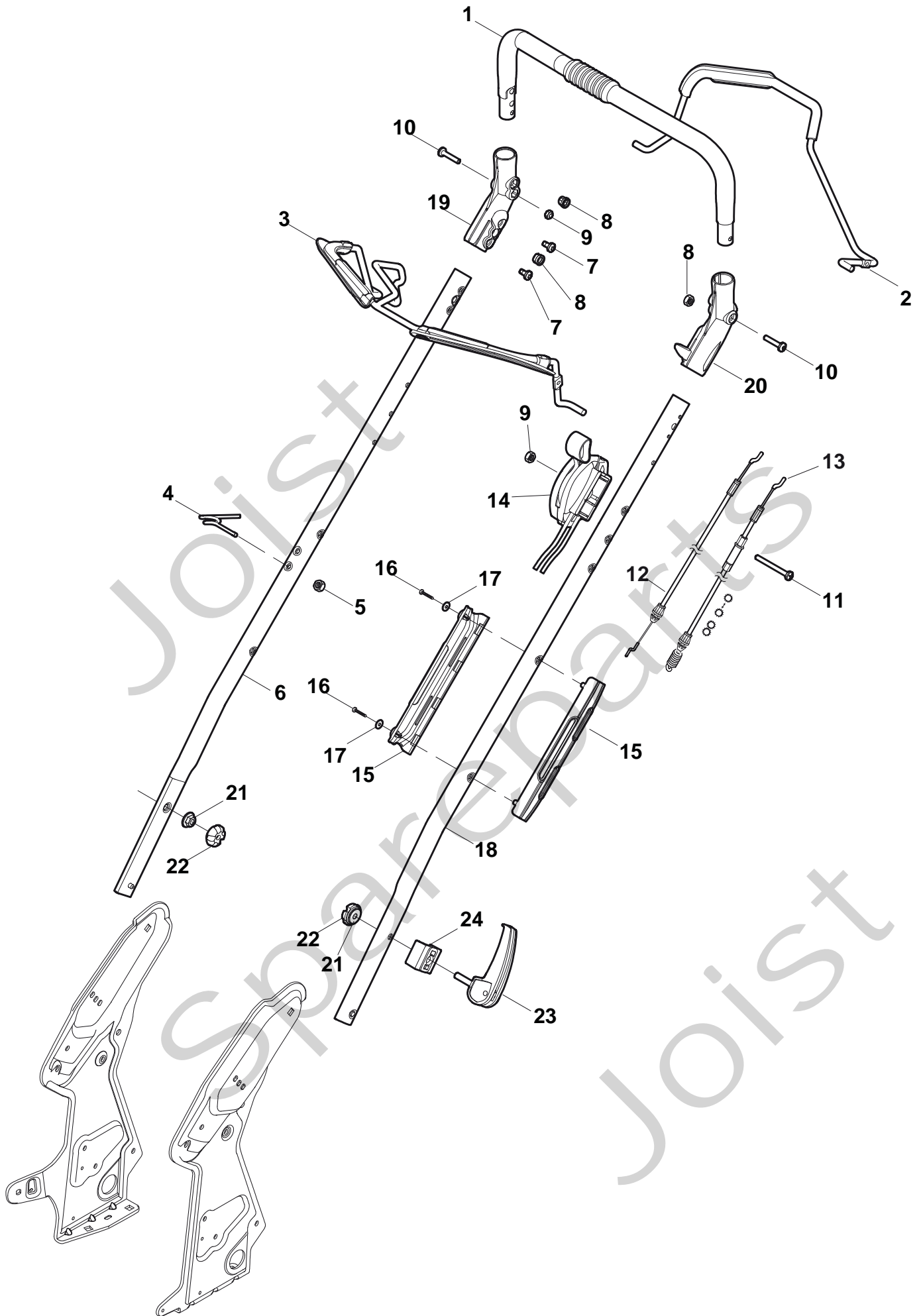




## TURBO EXCEL 50 SE B

| Pos. Fig. | Antal Quantity | Art No Part No | Benämning    | Description    | Anmärkning Notes |
|-----------|----------------|----------------|--------------|----------------|------------------|
| 1         | 2              | 112727803/0    | Skruv        | Screw          |                  |
| 2         | 1              | 322806635/1    | Vridpunkt    | Fulcrum Pin    |                  |
| 3         | 1              | 322783010/1    | Tryckring    | Button         |                  |
| 4         | 1              | 122450456/0    | Fjäder       | Spring         |                  |
| 5         | 1              | 122517864/0    | Stift        | Pin            |                  |
| 6         | 1              | 122450457/0    | Fjäder       | Spring         |                  |
| 7         | 1              | 122517866/0    | Stift        | Pin            |                  |
| 9         | 2              | 112728706/0    | Skruv        | Screw          |                  |
| 10        | 1              | 322600200/0    | Output skydd | Ejection Guard |                  |
| 11        | 1              | 322393633/0    | Handtag      | Handle         |                  |
| 15        | 1              | 322108289/0    | Output skydd | Ejection Guard |                  |

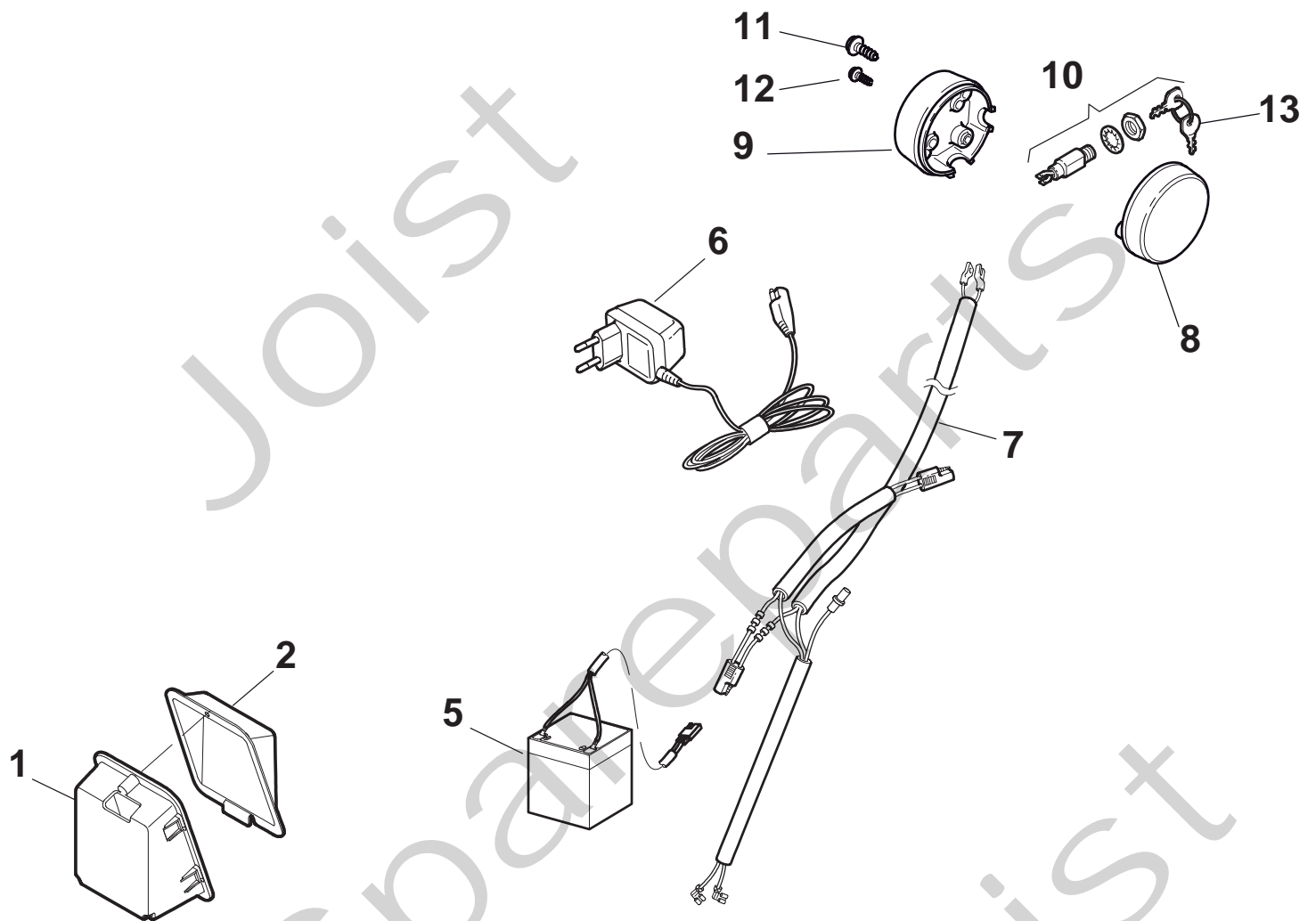
TURBO EXCEL 50 SE B





## TURBO EXCEL 50 SE B

| Pos. Fig. | Antal Quantity | Art No Part No | Benämning             | Description              | Anmärkning Notes |
|-----------|----------------|----------------|-----------------------|--------------------------|------------------|
| 1         | 1              | 381006670/2    | Handtag               | Handgrip                 |                  |
| 2         | 1              | 381003349/0    | Reglagebygel-drivning | Lever, Driving           |                  |
| 3         | 1              | 381003344/0    | Reglagebygel          | Lever, Engine Brake      |                  |
| 4         | 1              | 22430309/0     | Fjäder                | Guide Spring             |                  |
| 5         | 1              | 12154330/0     | Mutter                | Nut                      |                  |
| 6         | 1              | 381006895/0    | Styre-överdel vä      | Handle Black, R          |                  |
| 7         | 4              | 112735662/1    | Skruv                 | Screw                    |                  |
| 8         | 4              | 322041967/0    | Bussning              | Bush                     |                  |
| 9         | 3              | 12154510/0     | Mutter                | Nut                      |                  |
| 10        | 2              | 112728721/0    | Skruv                 | Screw                    |                  |
| 11        | 1              | 12727786/0     | Skruv                 | Screw                    |                  |
| 12        | 1              | 181030065/0    | Motorbromswire        | Cable, Thread Eng. Brake |                  |
| 13        | 1              | 381030067/0    | Kopplingswire         | Cable, Rear Drive        |                  |
| 14        | 1              | 181005502/1    | Gaswire               | Throttle Cable           |                  |
| 15        | 1              | 322806644/0    | Skydd                 | Protection               |                  |
| 16        | 2              | 12727812/0     | Skruv                 | Screw                    |                  |
| 17        | 2              | 112523000/1    | Bricka                | Washer                   |                  |
| 18        | 1              | 381006897/0    | Styre-överdel hö      | Handle Black, L          |                  |
| 19        | 1              | 322488301/0    | Stöd-hö               | Support , R              |                  |
| 20        | 1              | 322488303/0    | Stöd-vä               | Support, L               |                  |
| 21        | 2              | 112154220/0    | Mutter                | Nut                      |                  |
| 22        | 2              | 322399835/0    | Knopp                 | Knob                     |                  |
| 23        | 2              | 381003253/0    | Handtag               | Handle                   |                  |
| 24        | 2              | 322680017/0    | Fäste                 | Support                  |                  |

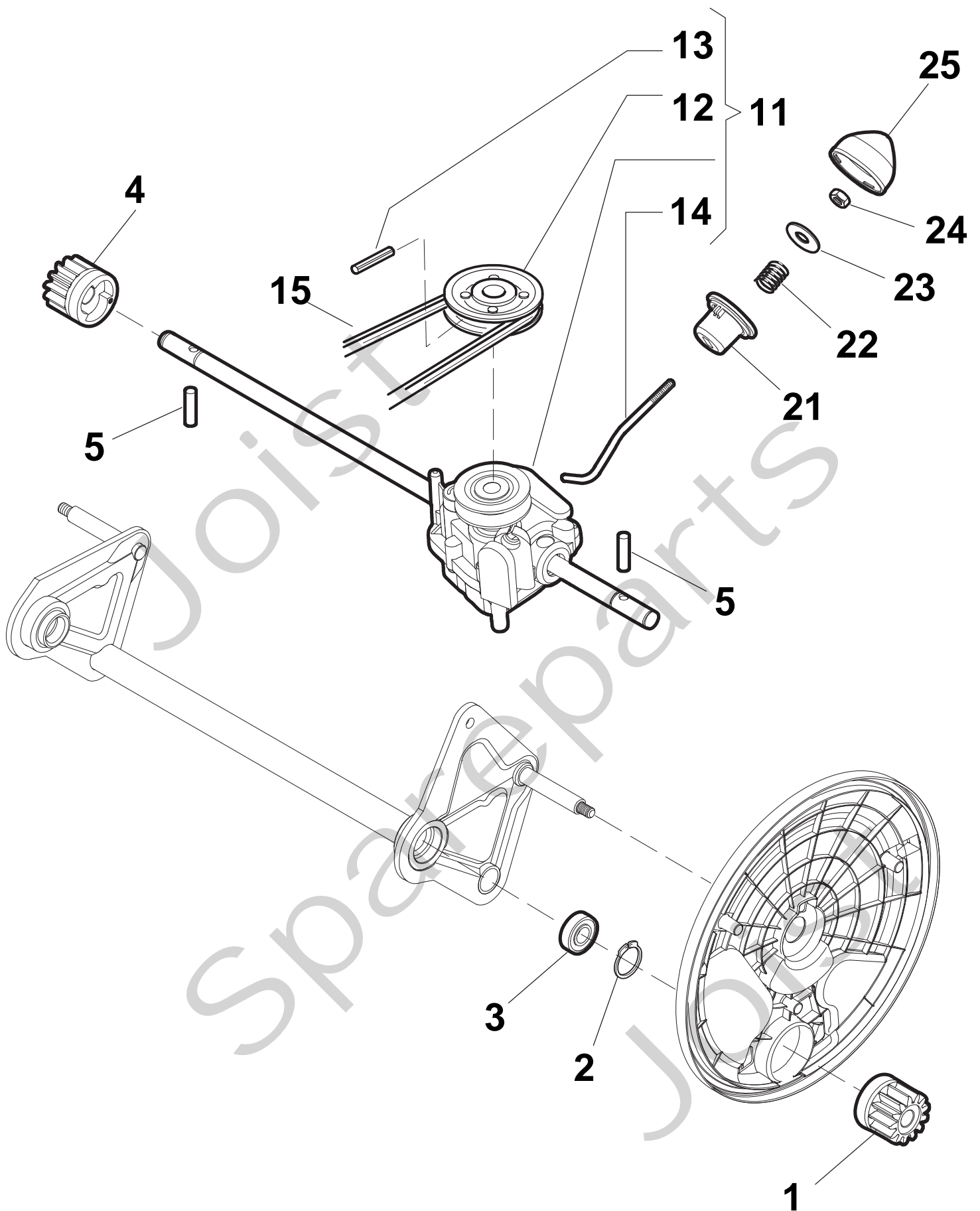






## TURBO EXCEL 50 SE B

| Pos. Fig. | Antal Quantity | Art No Part No | Benämning      | Description      | Anmärkning Notes |
|-----------|----------------|----------------|----------------|------------------|------------------|
| 1         | 1              | 322109548/1    | Batteriplatta  | Support, Battery |                  |
| 2         | 1              | 322109549/0    | Kåpa           | Cover            |                  |
| 5         | 1              | 18120052/0     | Motorbromswire | Battery          |                  |
| 6         | 1              | 18204120/0     | Tätningshylsa  | Battery Charger  |                  |
| 7         | 1              | 18204196/0     | Startkabel     | Cable, Start     |                  |
| 8         | 1              | 22722800/0     | Skydd-ho       | R Protection     |                  |
| 9         | 1              | 22722801/0     | Skydd-va       | L Protection     |                  |
| 10        | 2              | 12728702/0     | Skruv          | Screw            |                  |
| 11        | 1              | 12728691/0     | Skruv          | Screw            |                  |
| 12        | 1              | 18450050/0     | Ringmutter     | Switch           |                  |
| 13        | 1              | 18210016/1     | Kabel          | Starting Key     |                  |

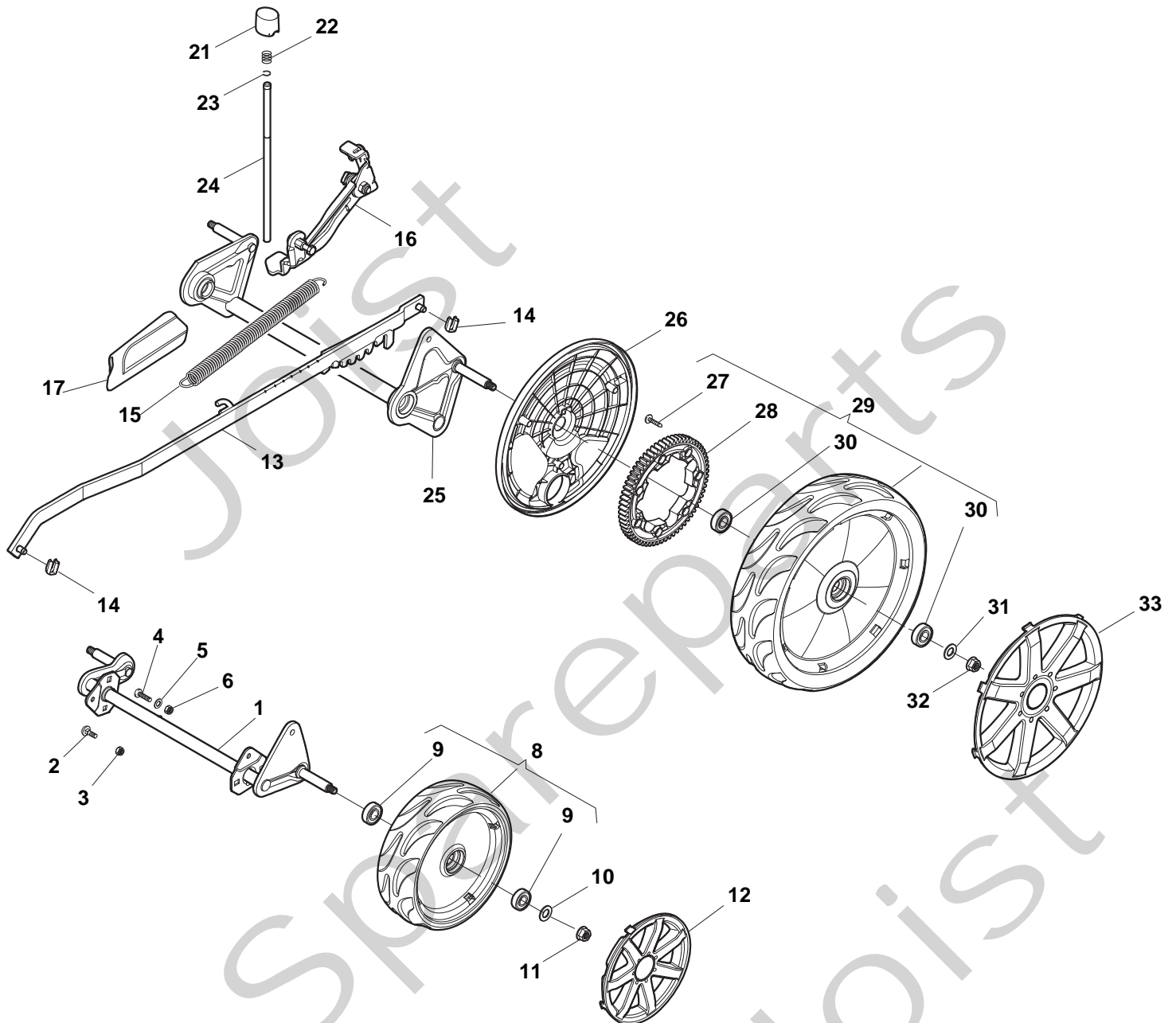




## TURBO EXCEL 50 SE B

| Pos. Fig. | Antal Quantity | Art No Part No | Benämning    | Description    | Anmärkning Notes |
|-----------|----------------|----------------|--------------|----------------|------------------|
| 1         | 1              | 122570132/0    | Drev hö      | Pinion L       |                  |
| 2         | 4              | 12608600/0     | Seeger       | Seeger         |                  |
| 3         | 2              | 19216035/0     | Låsring      | Bearing        |                  |
| 4         | 1              | 122570131/0    | Stift        | Pinion R       |                  |
| 5         | 2              | 22753000/0     | Stift        | Pin            |                  |
| 11        | 1              | 181003106/0    | Transmission | Gear Box       |                  |
| 12        | 1              | 122601908/1    | Drev vä      | Pulley         |                  |
| 13        | 1              | 12645705/0     | Stift        | Pin            |                  |
| 14        | 1              | 122033290/0    | Justerstång  | Adjustment Rod |                  |
| 15        | 1              | 135064391/0    | Drivrem      | Belt X 10      |                  |
| 21        | 1              | 22041957/1     | Bussning     | Bush           |                  |
| 22        | 1              | 22450063/0     | Fjäder       | Spring         |                  |
| 23        | 1              | 22680009/0     | Bricka       | Washer         |                  |
| 24        | 1              | 12154510/0     | Mutter       | Nut            |                  |
| 25        | 1              | 322109550/0    | Lock         | Cap            |                  |

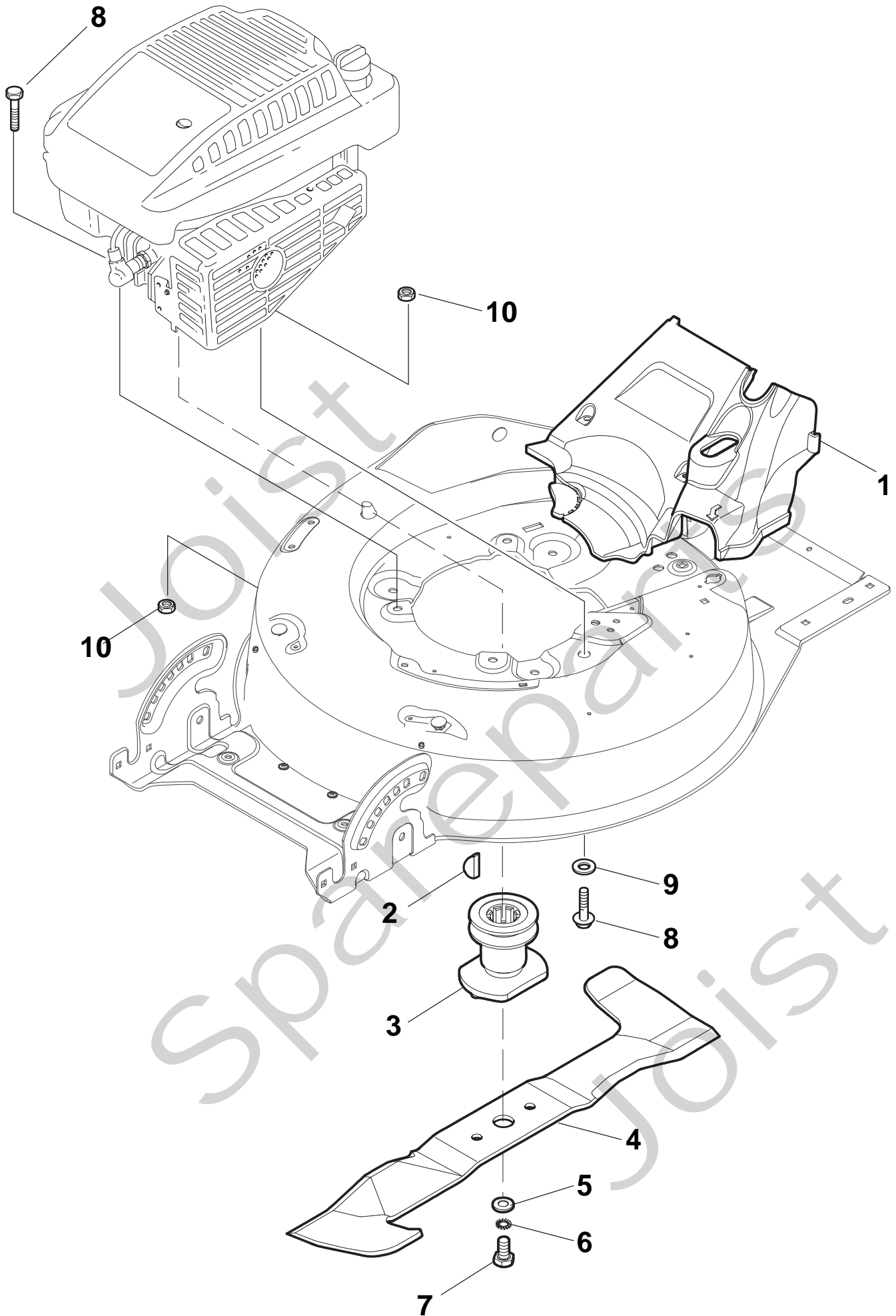
TURBO EXCEL 50 SE B





## TURBO EXCEL 50 SE B

| Pos. Fig. | Antal Quantity | Art No Part No | Benämning            | Description              | Anmärkning Notes |
|-----------|----------------|----------------|----------------------|--------------------------|------------------|
| 1         | 1              | 381002869/1    | Hjulaxel-fram        | Axle, Front Wheels       |                  |
| 2         | 4              | 12815205/0     | Skruv                | Screw                    |                  |
| 3         | 4              | 12154510/0     | Mutter               | Nut                      |                  |
| 4         | 2              | 112727799/0    | Skruv                | Screw                    |                  |
| 5         | 2              | 12523040/0     | Bricka               | Washer                   |                  |
| 6         | 2              | 12154510/0     | Mutter               | Nut                      |                  |
| 8         | 2              | 381007394/1    | Hjul Ø 210           | Wheel Ø 210              |                  |
| 9         | 4              | 19216035/0     | Låsring              | Bearing                  |                  |
| 10        | 2              | 12521350/0     | Bricka               | Washer                   |                  |
| 11        | 2              | 12155000/0     | Mutter               | Nut                      |                  |
| 12        | 2              | 322110597/0    | Navkapsel            | Hub Cap                  |                  |
| 13        | 1              | 381002034/0    | Höjdinställn.stång   | Rod, Height Adjustment   |                  |
| 14        | 2              | 112436051/0    | Plåt                 | Plate                    |                  |
| 15        | 1              | 122450459/1    | Fjäder               | Spring                   |                  |
| 16        | 1              | 381003337/1    | Höjdinställningsspak | Lever, Height Adjustment |                  |
| 17        | 1              | 322570202/0    | Kåpa                 | Cover                    |                  |
| 21        | 1              | 322602012/1    | Tryckring            | Button                   |                  |
| 22        | 1              | 122450462/0    | Fjäder               | Spring                   |                  |
| 23        | 1              | 12000930/0     | Avgasrör             | Crown Fastener           |                  |
| 24        | 1              | 122033351/1    | Justerstång          | Rod                      |                  |
| 25        | 1              | 381002899/0    | Hjulaxel-bakre       | Axle, Rear Wheels        |                  |
| 26        | 2              | 322600179/0    | Hjulsydd             | Protection, Wheel        |                  |
| 27        | 6              | 12728691/0     | Skruv                | Screw                    |                  |
| 28        | 2              | 322120113/0    | Ringdrev             | Ring Gear                |                  |
| 29        | 2              | 381007398/1    | Hjul Ø 300           | Wheel Ø 300              |                  |
| 30        | 4              | 19216035/0     | Låsring              | Bearing                  |                  |
| 31        | 2              | 12521350/0     | Bricka               | Washer                   |                  |
| 32        | 2              | 12155000/0     | Mutter               | Nut                      |                  |
| 33        | 2              | 322110598/0    | Navkapsel            | Hub Cap                  |                  |

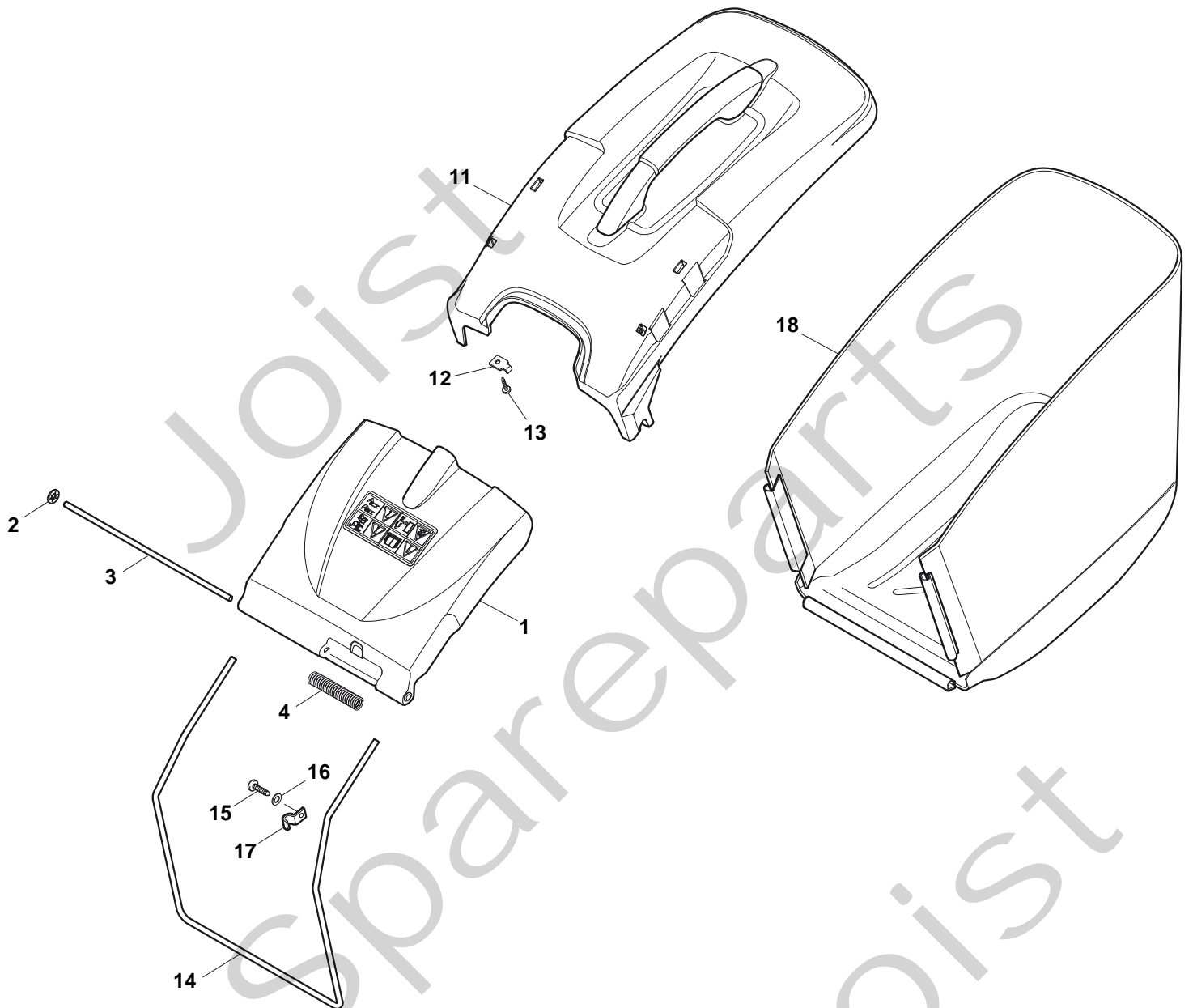




## TURBO EXCEL 50 SE B

| Pos. Fig. | Antal Quantity | Art No Part No | Benämning      | Description                        | Anmärkning Notes |
|-----------|----------------|----------------|----------------|------------------------------------|------------------|
| 1         | 1              | 322060230/0    | Skydd          | Protection                         |                  |
| 2         | 1              | 12139100/0     | Låsring        | Feather, Crankshaft Ø 22.2         |                  |
| 3         | 1              | 122465607/3    | Fläkt Ø 22.2   | Hub With Pulley, Crankshaft Ø 22.2 |                  |
| 4         | 1              | 181004450/0    | Kniv           | Blade Standard                     |                  |
| 5         | 1              | 22160400/0     | Dammskydd      | Dust Cover                         |                  |
| 6         | 1              | 12523080/0     | Bricka         | Washer                             |                  |
| 7         | 1              | 12735698/0     | Skruv          | Screw                              |                  |
| 8         | 2              | 12691100/0     | Skruv          | Left Screw                         |                  |
| 8         | 3              | 12691100/0     | Skruv          | Left Screw                         |                  |
| 8         | 1              | 12691800/0     | Skruv          | Screw (Peerless)                   |                  |
| 9         | 1              | 12521350/0     | Bricka         | Washer                             |                  |
| 10        | 3              | 12154210/0     | Mutter (20 Hp) | Nut (20 Hp)                        |                  |

TURBO EXCEL 50 SE B







## TURBO EXCEL 50 SE B

| Pos. Fig. | Antal Quantity | Art No Part No | Benämning          | Description      | Anmärkning Notes |
|-----------|----------------|----------------|--------------------|------------------|------------------|
| 1         | 1              | 322600180/3    | Lucka              | Stone-Guard      |                  |
| 2         | 2              | 12604899/0     | Låsbricka          | Crown Fastener   |                  |
| 3         | 1              | 122517863/0    | Stift              | Pin              |                  |
| 4         | 1              | 122450455/1    | Fjäder             | Spring           |                  |
| 11        | 1              | 381486007/0    | Uppsamlare-överdel | Grass-Box, Upper |                  |
| 12        | 2              | 322545159/0    | Plåt               | Plate            |                  |
| 13        | 2              | 12728689/0     | Skruv              | Screw            |                  |
| 14        | 1              | 122608542/0    | Trådbygel          | Stiffening Lower |                  |
| 15        | 2              | 12728689/0     | Skruv              | Screw            |                  |
| 16        | 2              | 12521320/0     | Bricka             | Washer           |                  |
| 17        | 2              | 325774220/0    | Plåt               | Plate            |                  |
| 18        | 1              | 181002302/2    | Uppsamlingsäck     | Box, Fabric      |                  |