

Genuine Spare Parts

www.stiga.com

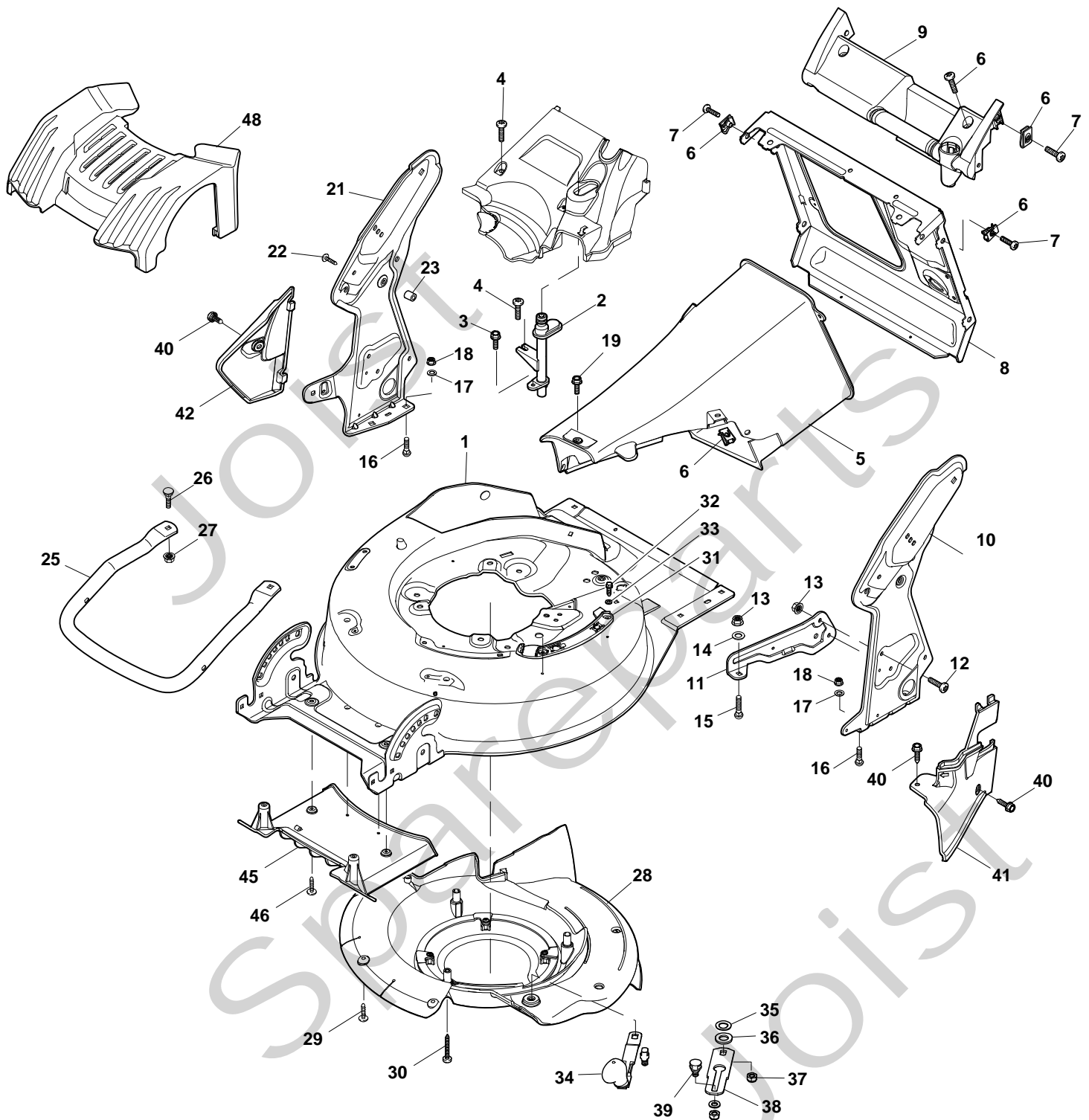
TURBO EXCEL 55 S B Model Year 2010

- Use GLOBAL GARDEN PRODUCT Genuine Spare Parts specified in the parts list for repair and/or replacement.
- The contents described in the parts list may change due to improvement.
- The drawings of the spare parts are only indicative and might not represent the part in question exactly.
- The indications "right" - "left" - "front" - "rear" refer to the position of the operator when using the machine.
- When placing orders of parts for repair and/or replacement, make sure that the illustrated parts list is the one applying to the machine's year of manufacture, as shown on the identification plate attached to the machine.

COPYRIGHT by GLOBAL GARDEN PRODUCTS

All rights reserved. No part of this material may be reproduced or transmitted, in any form or by any means, electronic or mechanical, including photocopying, recording or by any information storage and retrieval system, without permission in writing from GLOBAL GARDEN PRODUCTS.

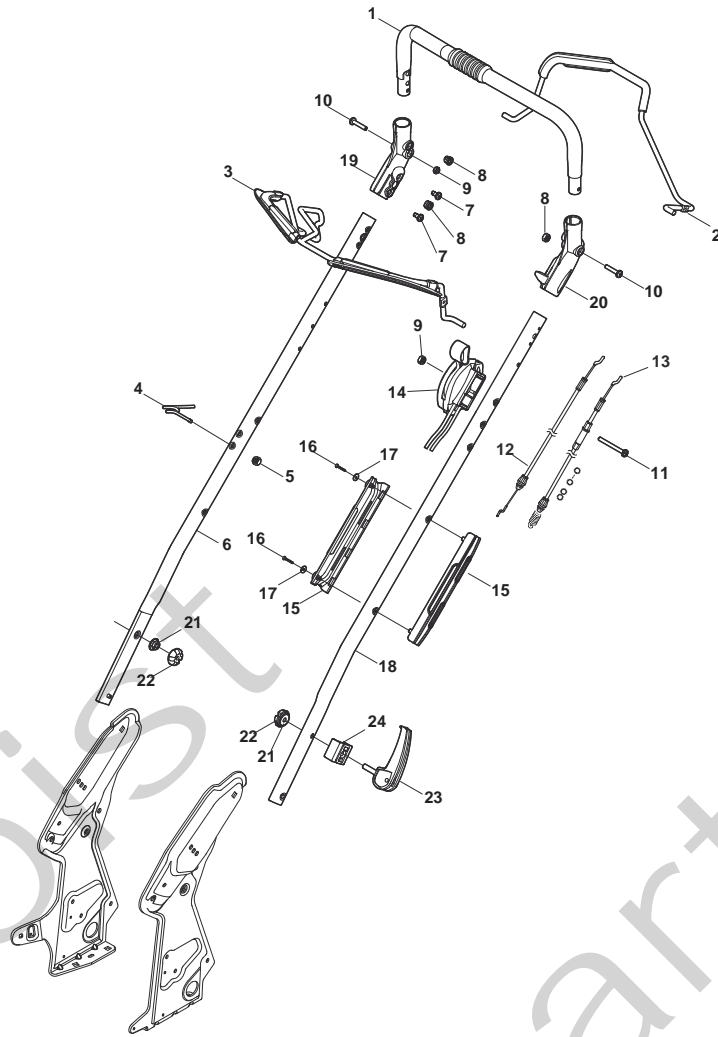






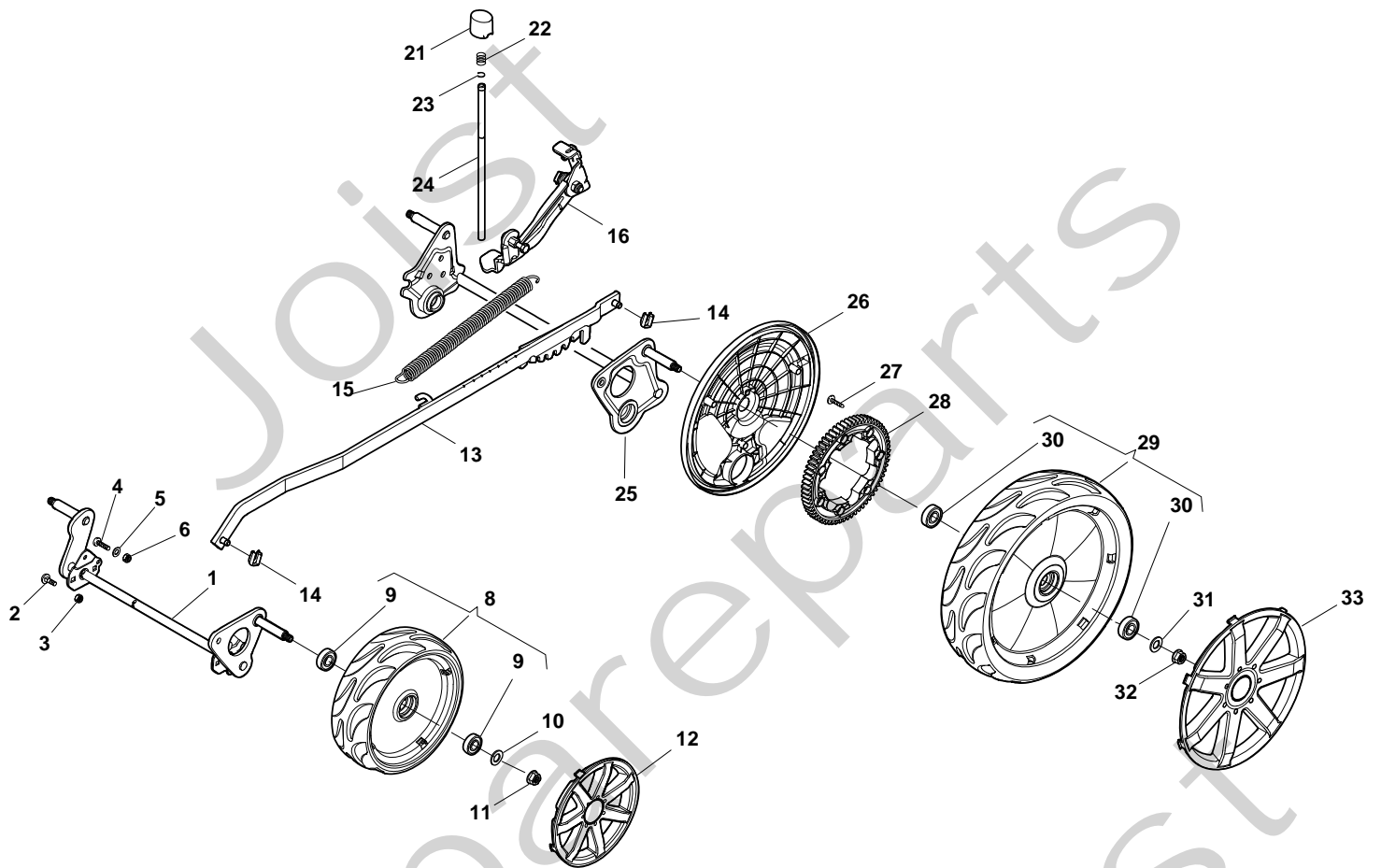
TURBO EXCEL 55 S B - Model Year 2010

| Pos. Fig. | Antal Quantity | Art No Part No | Benämning | Description | Anmärkning Notes |
|-----------|----------------|----------------|------------------|---------------------|------------------|
| 1 | 1 | 381003875/0 | Chassi-gul | Deck Yellow | |
| 2 | 1 | 322034001/1 | Slanganslutning | Washing Connection | |
| 3 | 5 | 125943004/0 | Skruv | Screw | |
| 4 | 2 | 112727802/0 | Skruv | Screw | |
| 5 | 1 | 322108294/0 | Inmatningstratt | Conveyor Yellow | |
| 6 | 12 | 112437507/0 | Plåt | Plate | |
| 7 | 8 | 112727802/0 | Skruv | Screw | |
| 8 | 1 | 381545321/1 | Platta | Rear Plate | |
| 8 | 1 | 381545323/1 | Platta | Rear Plate | only TR-E |
| 9 | 1 | 322785282/0 | Stöd | Support | |
| 10 | 1 | 381545333/0 | Fäste-vä | Bracket, L | |
| 11 | 1 | 322545191/0 | Stöd | Support | |
| 12 | 2 | 112727803/0 | Skruv | Screw | |
| 13 | 4 | 12154510/0 | Mutter | Nut | |
| 14 | 1 | 12521330/0 | Bricka | Washer | |
| 15 | 1 | 12815200/0 | Skruv | Screw | |
| 16 | 4 | 12818690/0 | Skruv | Screw | |
| 17 | 4 | 12521350/0 | Bricka | Washer | |
| 18 | 4 | 12155000/0 | Mutter | Nut | |
| 19 | 2 | 12729601/1 | Skruv | Screw | |
| 21 | 1 | 381545331/0 | Fäste-hö | Bracket, R | |
| 22 | 2 | 112735662/1 | Skruv | Screw | |
| 23 | 2 | 122534128/0 | Pin | Pin | |
| 25 | 2 | 381393702/0 | Hjulskydd | Protection | |
| 26 | 2 | 12815205/0 | Skruv | Screw | |
| 27 | 2 | 12154510/0 | Mutter | Nut | |
| 28 | 1 | 381102203/0 | Skydd Mulching | Protection Mulching | |
| 29 | 2 | 125943004/0 | Skruv | Screw | |
| 30 | 3 | 112735115/0 | Skruv | Screw | |
| 31 | 1 | 322500052/2 | Glidblock | Shoe | |
| 32 | 2 | 12731580/0 | Skruv | Screw | |
| 33 | 2 | 12521331/0 | Bricka | Washer | |
| 34 | 1 | 381003338/0 | Arm | Lever | |
| 35 | 1 | 21660100/0 | Bricka | Washer | |
| 36 | 1 | 12521370/0 | Bricka | Washer | |
| 37 | 1 | 12154210/0 | Mutter | Nut | |
| 38 | 1 | 322320009/0 | Arm | Lever | |
| 39 | 1 | 122042022/0 | Bussning | Bush | |
| 40 | 3 | 125943004/0 | Skruv | Screw | |
| 41 | 1 | 322109830/0 | Skydd | Guard Black | |
| 42 | 1 | 322109825/0 | Skydd | Guard Black | |
| 45 | 1 | 322500101/0 | Air Intake Grill | Air Intake Grill | |
| 46 | 2 | 112728706/0 | Skruv | Screw | |
| 46 | 4 | 12728703/0 | Skruv | Screw | |
| 48 | 1 | 322226141/0 | Panel-svart | Mask, Black | |
| 49 | 2 | 112727801/0 | Skruv | Screw | |
| 50 | 2 | 112815270/0 | Skruv | Screw | |
| 51 | 2 | 122671664/0 | Distans | Spacer | |
| 52 | 2 | 12540040/0 | Bricka | Washer | |
| 53 | 6 | 325160039/0 | Distans | Spacer | |
| 54 | 1 | 112794986/0 | Skruv | Screw | |
| 55 | 2 | 112727799/0 | Skruv | Screw | |
| 56 | 1 | 12521350/0 | Bricka | Washer | |
| 57 | 1 | 12155000/0 | Mutter | Nut | |
| 58 | 1 | 381608501/0 | Trådbygel | Stiffening Lower | |

TURBO EXCEL 55 S B - Model Year 2010


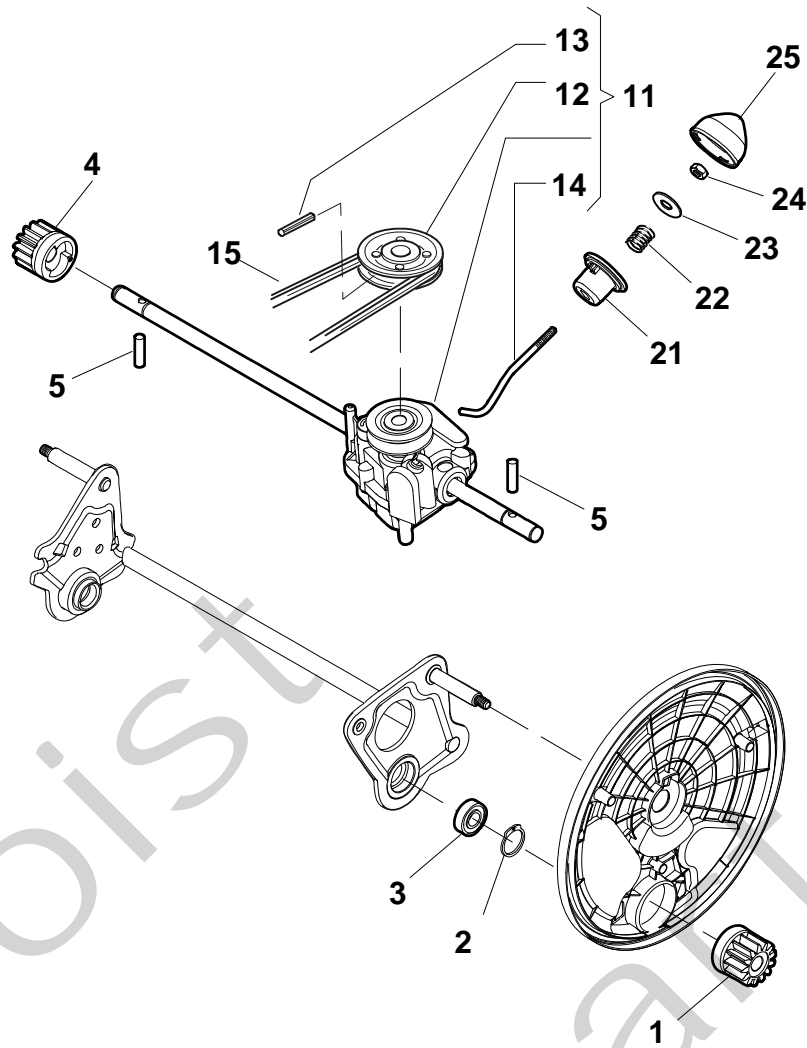
| Pos. Fig. | Antal Quantity | Art No Part No | Benämning | Description | Anmärkning Notes |
|-----------|----------------|----------------|-----------------------|--------------------------|------------------|
| 1 | 1 | 381006670/2 | Handtag | Handgrip | |
| 2 | 1 | 381003349/0 | Reglagebygel-drivning | Lever, Driving | |
| 3 | 1 | 381003344/0 | Reglagebygel | Lever, Engine Brake | |
| 4 | 1 | 22430309/0 | Ögla | Guide Spring | |
| 5 | 1 | 12154330/0 | Mutter | Nut | |
| 6 | 1 | 381006821/0 | Styre-överdel vä | Handle Grey, R | |
| 6 | 1 | 381006895/0 | Styre-överdel vä | Handle Black, R | |
| 7 | 4 | 112735662/1 | Skruv | Screw | |
| 8 | 4 | 322041967/0 | Bussning | Bush | |
| 9 | 3 | 12154510/0 | Mutter | Nut | |
| 10 | 2 | 112728721/0 | Skruv | Screw | |
| 11 | 1 | 12727786/0 | Skruv | Screw | |
| 12 | 1 | 181030065/0 | Motorbromswire | Cable, Thread Eng. Brake | |
| 13 | 1 | 381030067/0 | Kopplingswire | Cable, Rear Drive | |
| 14 | 1 | 181005508/0 | Gaswire | Throttle Cable | |
| 15 | 1 | 322806644/0 | Skydd | Protection | |
| 16 | 2 | 12727812/0 | Skruv | Screw | |
| 17 | 2 | 112523000/1 | Bricka | Washer | |
| 18 | 1 | 381006823/0 | Styre-överdel hö | Handle Grey, L | |
| 18 | 1 | 381006897/0 | Styre-överdel hö | Handle Black, L | |
| 19 | 1 | 322488301/0 | Stöd | Support | |
| 20 | 1 | 322488303/0 | Stöd | Support | |
| 21 | 2 | 112154220/0 | Mutter | Nut | |
| 22 | 2 | 322399835/0 | Knopp | Knob | |
| 23 | 2 | 381003253/0 | Knopp | Knob | |
| 24 | 2 | 322680017/0 | Stöd | Support | |

TURBO EXCEL 55 S B - Model Year 2010

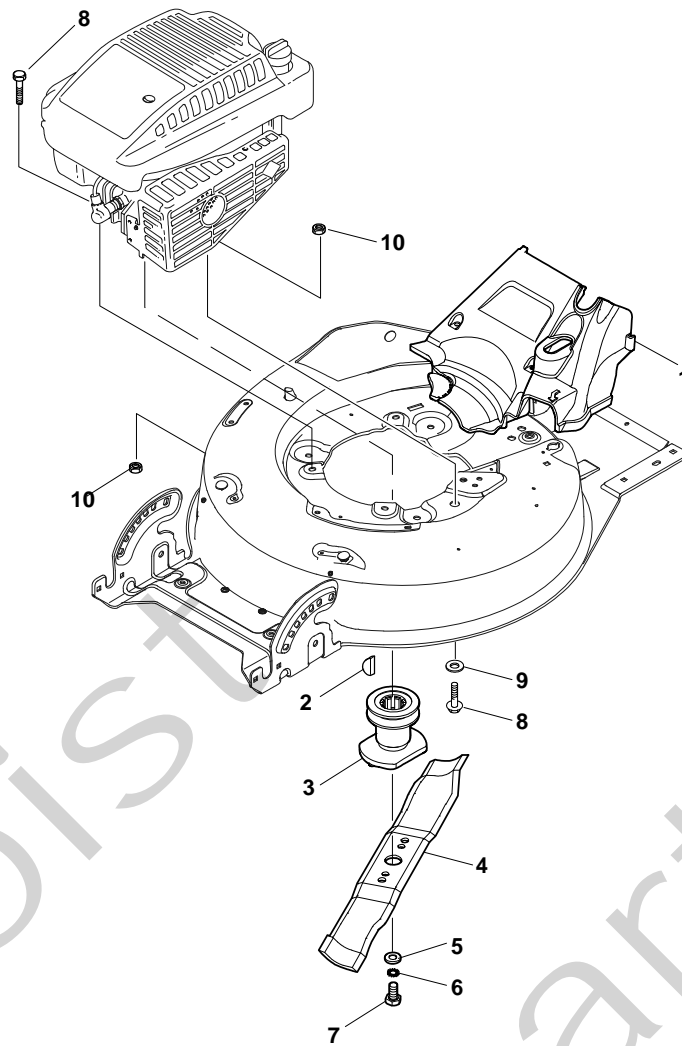


**TURBO EXCEL 55 S B - Model Year 2010**

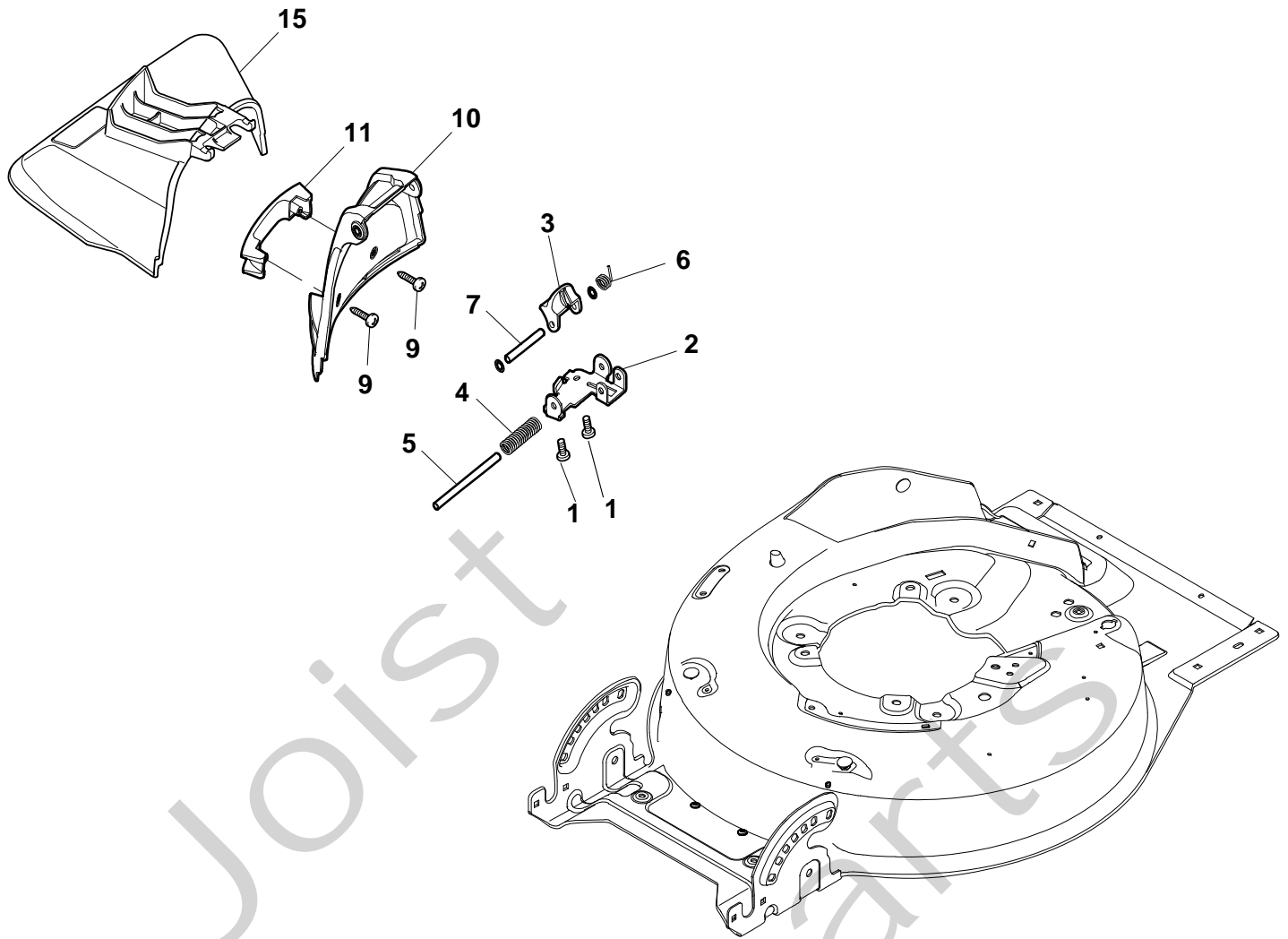
| Pos. Fig. | Antal Quantity | Art No Part No | Benämning | Description | Anmärkning Notes |
|-----------|----------------|----------------|--------------------|--------------------------|------------------|
| 1 | 1 | 381302801/0 | Fläns | Axle, Front Wheels | |
| 2 | 4 | 12815205/0 | Skruv | Screw | |
| 3 | 4 | 12154510/0 | Mutter | Nut | |
| 4 | 2 | 112727799/0 | Skruv | Screw | |
| 5 | 2 | 12523040/0 | Bricka | Washer | |
| 6 | 2 | 12154510/0 | Mutter | Nut | |
| 8 | 2 | 381007394/1 | Stödhjul | Wheel Ø 210 | |
| 9 | 4 | 19216035/0 | Lager | Bearing | |
| 10 | 2 | 12521350/0 | Bricka | Washer | |
| 11 | 2 | 12155000/0 | Mutter | Nut | |
| 12 | 2 | 322110597/0 | Navkapsel | Hub Cap | |
| 13 | 1 | 381002035/0 | Höjdinställn.stång | Rod, Height Adjustment | |
| 14 | 2 | 112436051/0 | Plåt | Plate | |
| 15 | 1 | 122450459/1 | Fjäder | Spring | |
| 16 | 1 | 381003337/1 | Höjdinst.spak | Lever, Height Adjustment | |
| 17 | 1 | 322570202/0 | Kåpa | Cover | |
| 21 | 1 | 322602012/1 | Tryckring | Button | |
| 22 | 1 | 122450462/0 | Fjäder | Spring | |
| 23 | 1 | 12000930/0 | Låsring | Snap Ring | |
| 24 | 1 | 122033351/1 | Stång | Rod | |
| 25 | 1 | 381002899/0 | Hjulaxel | Axle, Rear Wheels | |
| 26 | 2 | 322600179/0 | Hjulskydd | Protection, Wheel | |
| 27 | 6 | 12728691/0 | Skruv | Screw | |
| 28 | 2 | 322120113/0 | Ringdrev | Ring Gear | |
| 29 | 2 | 381007398/1 | Stödhjul | Wheel Ø 300 | |
| 30 | 4 | 19216035/0 | Lager | Bearing | |
| 31 | 2 | 12521350/0 | Bricka | Washer | |
| 32 | 2 | 12155000/0 | Mutter | Nut | |
| 33 | 2 | 322110599/0 | Navkapsel-grå | Hub Cap, Grey D.300 | |



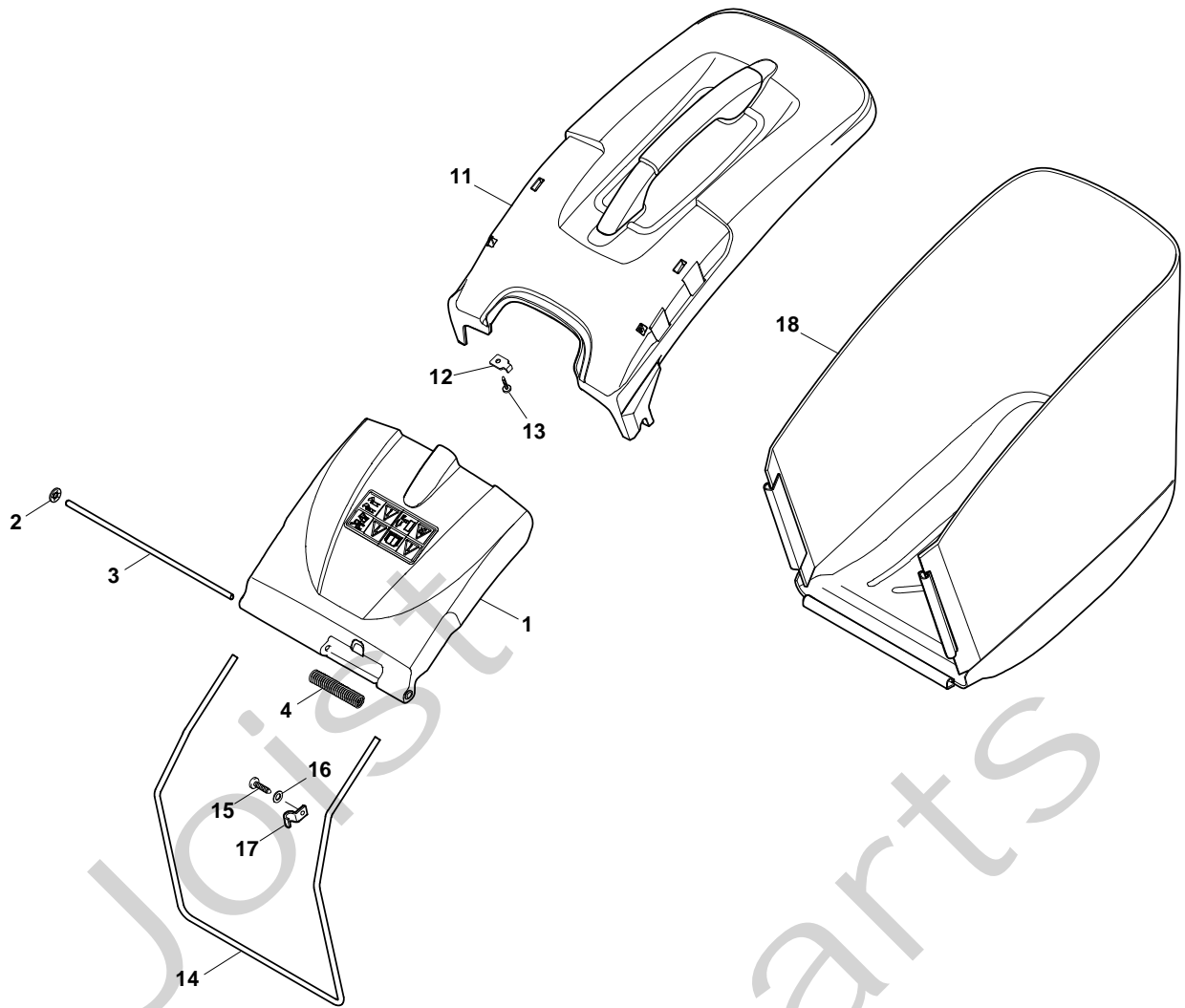
| Pos. Fig. | Antal Quantity | Art No Part No | Benämning | Description | Anmärkning Notes |
|-----------|----------------|----------------|------------------|----------------|------------------|
| 1 | 1 | 122570132/0 | Drev hö | Pinion R | |
| 2 | 4 | 12608600/0 | Låsring | Snap Ring | |
| 3 | 2 | 19216035/0 | Lager | Bearing | |
| 4 | 1 | 122570131/0 | Drev vä | Pinion L | |
| 5 | 2 | 22753000/0 | Stift | Pin | |
| 11 | 1 | 181003106/0 | Transmission | Gear Box | |
| 12 | 1 | 122601908/1 | Remskiva | Pulley | |
| 13 | 1 | 12645705/0 | Stift | Pin | |
| 14 | 1 | 122033290/0 | Höjdställn.stång | Adjustment Rod | |
| 15 | 1 | 135064392/0 | Drivrem | Belt | |
| 21 | 1 | 22041957/1 | Bussning | Bush | |
| 22 | 1 | 22450063/0 | Fjäder | Spring | |
| 23 | 1 | 22680009/0 | Bricka | Washer | |
| 24 | 1 | 12154510/0 | Mutter | Nut | |
| 25 | 1 | 322109550/0 | Lock | Cap | |

TURBO EXCEL 55 S B - Model Year 2010


| Pos. Fig. | Antal Quantity | Art No Part No | Benämning | Description | Anmärkning Notes |
|-----------|----------------|----------------|-----------|------------------------------------|-----------------------------|
| 1 | 1 | 322060234/0 | Skydd | Protection | (GGP Engine 140-160-196 cc) |
| 2 | 1 | 12139100/0 | Kil | Key | |
| 3 | 1 | 122465607/3 | Knivfäste | Hub With Pulley, Crankshaft Ø 22.2 | |
| 4 | 1 | 181004453/0 | Kniv | Blade Standard | |
| 5 | 1 | 22160400/0 | Bricka | Elastic Washer | |
| 6 | 1 | 12523080/0 | Bricka | Washer | |
| 7 | 1 | 12735698/0 | Skruv | Screw | |
| 8 | 3 | 12691115/0 | Skruv | Screw | |
| 9 | 1 | 12521350/0 | Bricka | Washer | |
| 10 | 3 | 12154210/0 | Mutter | Nut | |



| Pos. Fig. | Antal Quantity | Art No Part No | Benämning | Description | Anmärkning Notes |
|-----------|----------------|----------------|-----------------|----------------|------------------|
| 1 | 2 | 112727803/0 | Skruv | Screw | |
| 2 | 1 | 322806635/1 | Vridpunkt | Fulcrum Pin | |
| 3 | 1 | 322783010/1 | Tryckring | Button | |
| 4 | 1 | 122450456/0 | Fjäder | Spring | |
| 5 | 1 | 122517864/0 | Sprint | Pin | |
| 6 | 1 | 122450457/0 | Fjäder | Spring | |
| 7 | 1 | 122517866/0 | Sprint | Pin | |
| 9 | 2 | 112728706/0 | Skruv | Screw | |
| 10 | 1 | 322600200/0 | Output skydd | Ejection Guard | |
| 11 | 1 | 322393633/0 | Handtag | Handle | |
| 15 | 1 | 322108289/0 | Inmatningsträtt | Ejection Guard | |



| Pos. Fig. | Antal Quantity | Art No Part No | Benämning | Description | Anmärkning Notes |
|-----------|----------------|----------------|--------------------|------------------|------------------|
| 1 | 1 | 322600180/2 | Lucka | Stone-Guard | |
| 2 | 2 | 12604899/0 | Låsbricka | Crown Fastener | |
| 3 | 1 | 122517863/0 | Sprint | Pin | |
| 4 | 1 | 122450455/1 | Fjäder | Spring | |
| 11 | 1 | 381486007/0 | Uppsamlare-överdel | Grass-Box, Upper | |
| 12 | 2 | 322545159/0 | Plåt | Plate | |
| 13 | 2 | 12728689/0 | Skruv | Screw | |
| 14 | 1 | 122608542/0 | Trådbygel | Stiffening Lower | |
| 15 | 2 | 12728689/0 | Skruv | Screw | |
| 16 | 2 | 12521320/0 | Bricka | Washer | |
| 17 | 2 | 325774220/0 | Plåt | Plate | |
| 18 | 1 | 181002302/2 | Uppsamlingsäck | Box, Fabric | |