

Genuine Spare Parts

www.stiga.com

MULTICLIP 50 S PLUS Model Year 2010

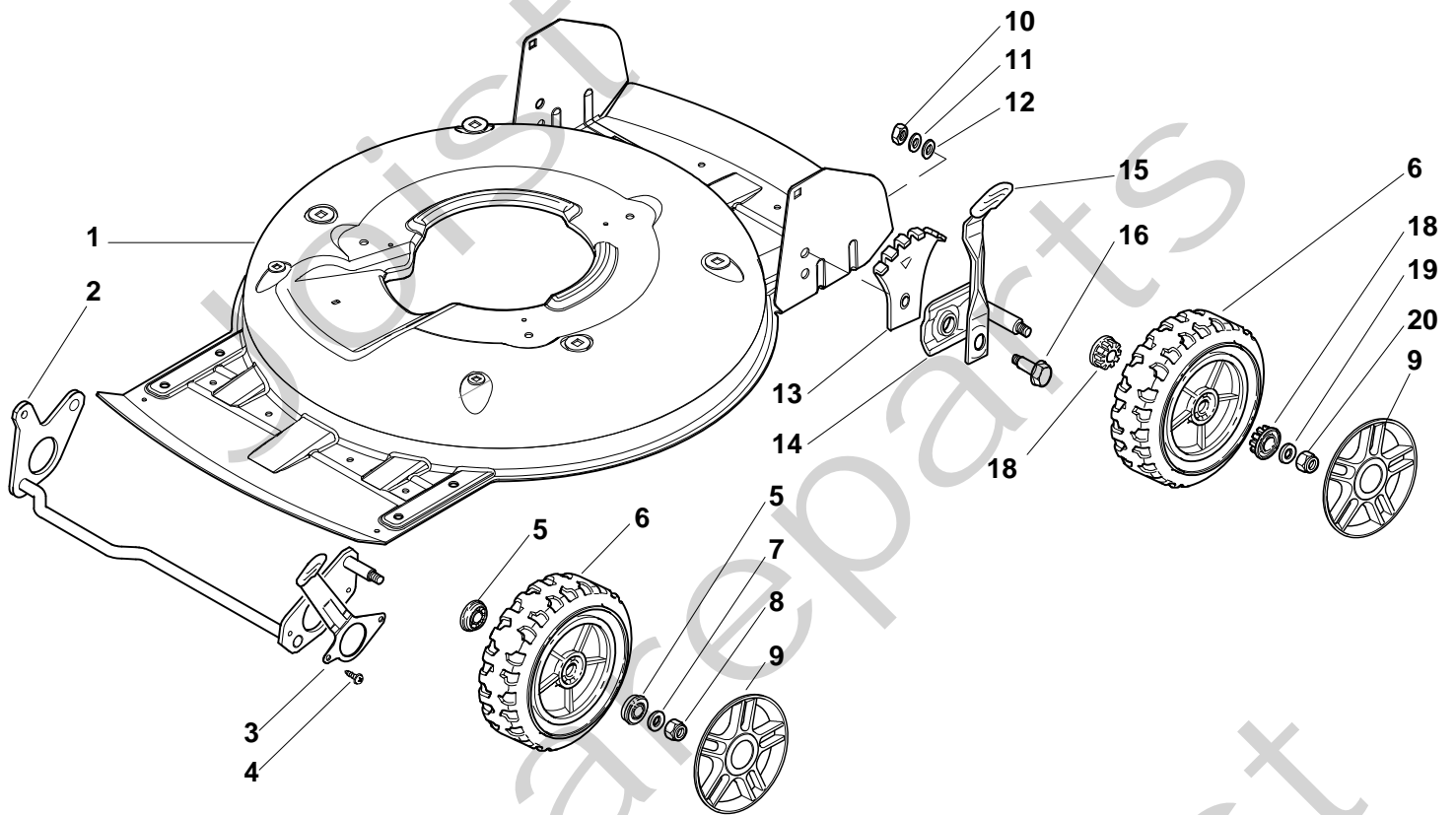
- Use GLOBAL GARDEN PRODUCT Genuine Spare Parts specified in the parts list for repair and/or replacement.
- The contents described in the parts list may change due to improvement.
- The drawings of the spare parts are only indicative and might not represent the part in question exactly.
- The indications "right" - "left" - "front" - "rear" refer to the position of the operator when using the machine.
- When placing orders of parts for repair and/or replacement, make sure that the illustrated parts list is the one applying to the machine's year of manufacture, as shown on the identification plate attached to the machine.

COPYRIGHT by GLOBAL GARDEN PRODUCTS

All rights reserved. No part of this material may be reproduced or transmitted, in any form or by any means, electronic or mechanical, including photocopying, recording or by any information storage and retrieval system, without permission in writing from GLOBAL GARDEN PRODUCTS.



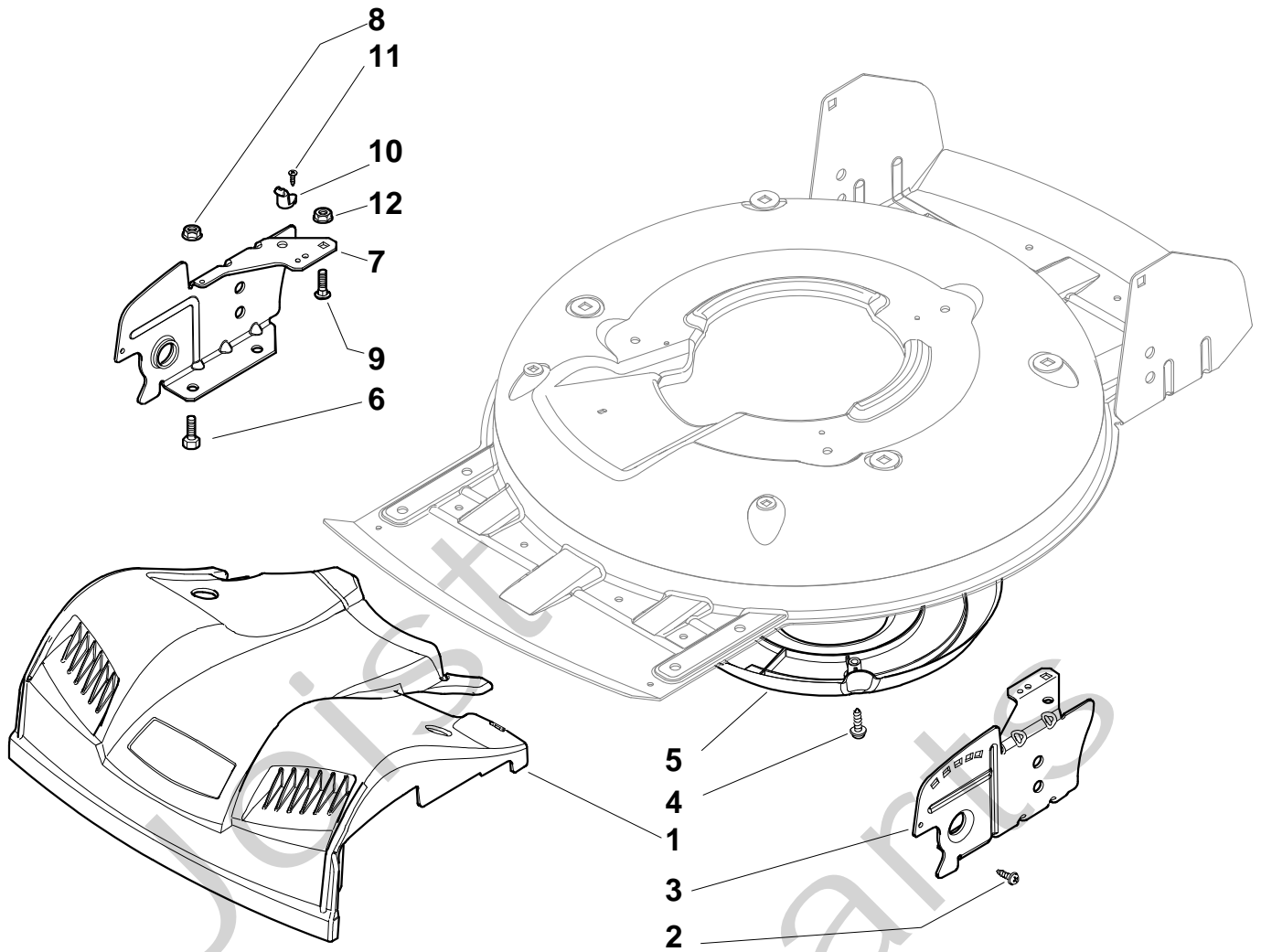
MULTICLIP 50 S PLUS - Model Year 2010



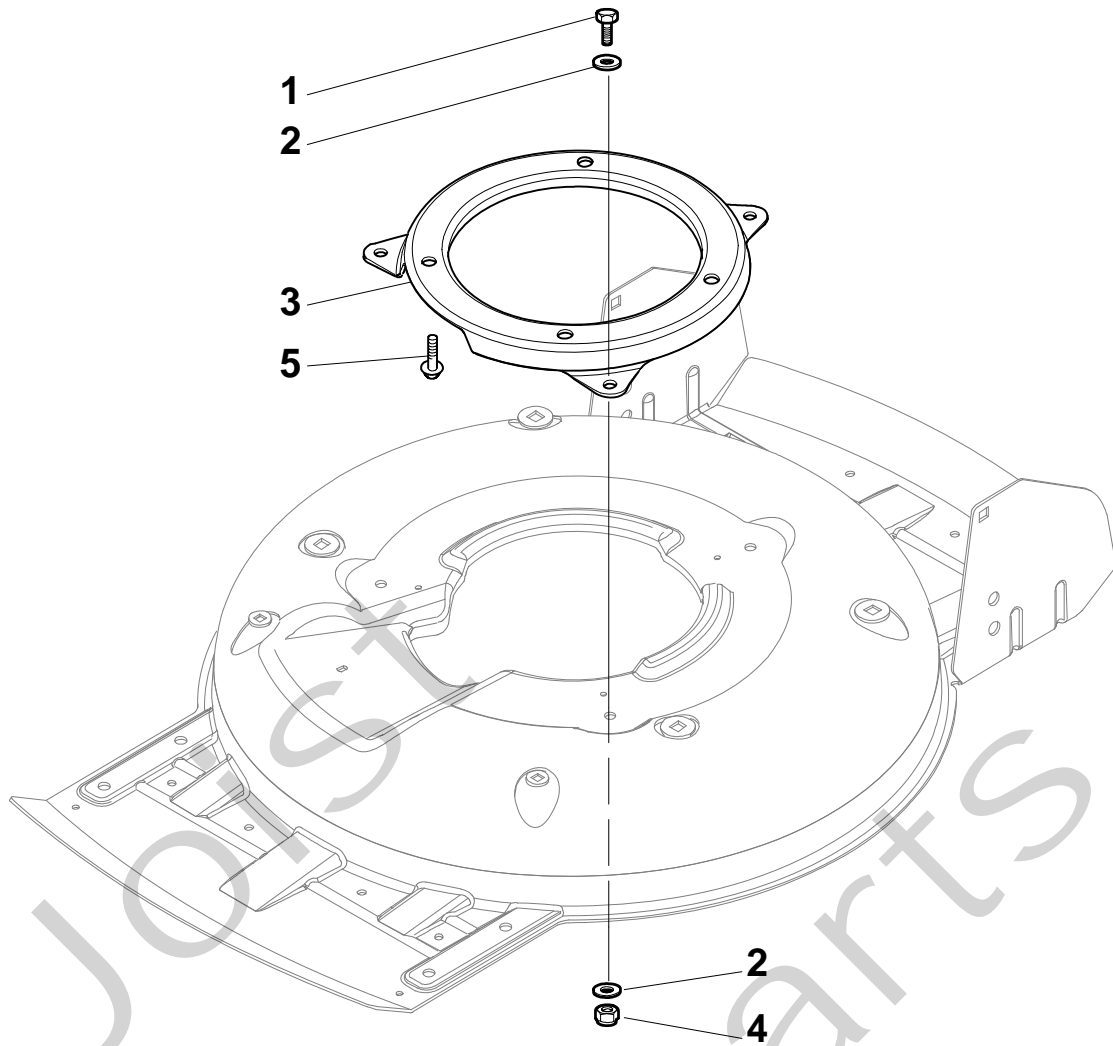


MULTICLIP 50 S PLUS - Model Year 2010

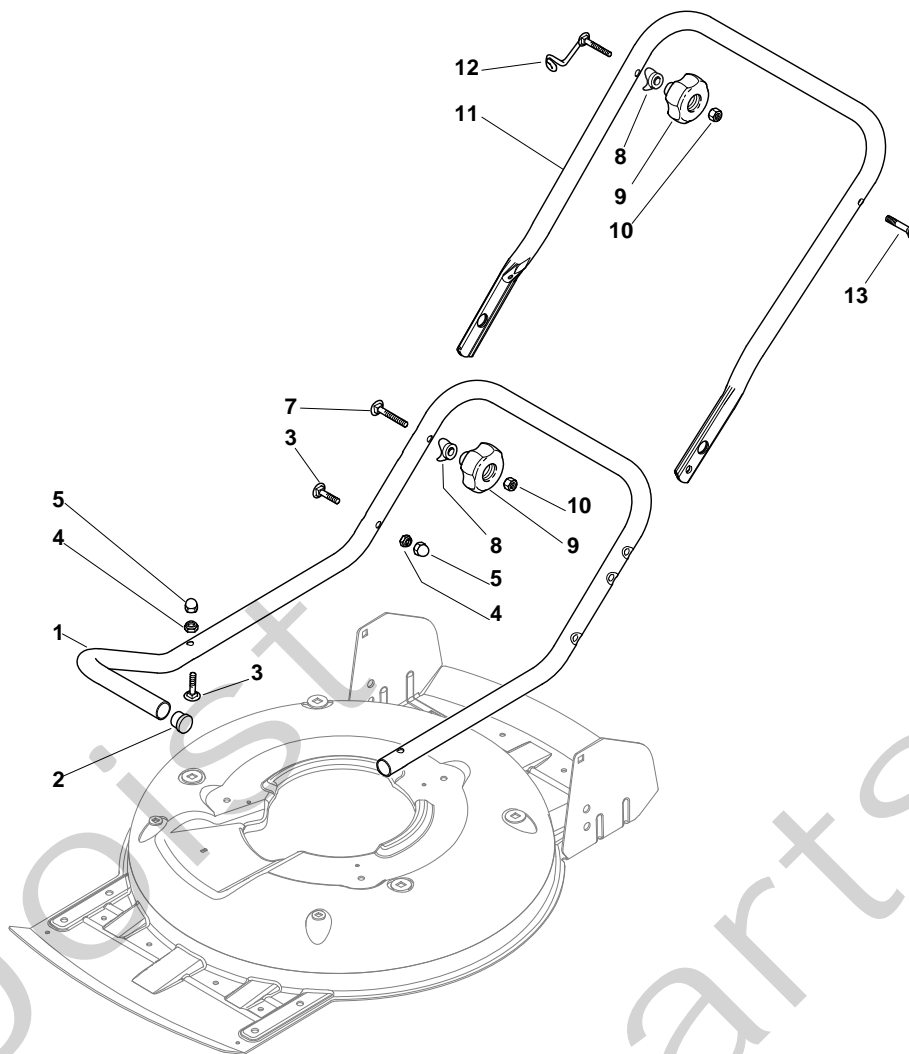
Pos. Fig.	Antal Quantity	Art No Part No	Benämning	Description	Anmärkning Notes
1	1	81002907/1	Chassi	Deck Yellow	
2	1	81002849/0	Hjulaxel	Axle, Front Wheels	
3	1	81003276/0	Höjdinställn.spak	Lever, Height Adjustment	
4	2	12735661/0	Skruv	Screw	
5	4	22034508/0	Bussning	Bush	
5	4	22122200/0	Kullager	Bearing	
6	4	81007343/0	Hjul	Wheel	
7	2	12369500/0	Bricka	Washer	
8	2	12155000/0	Mutter	Nut	
9A	4	22110492/0	Navkapsel	Hub Cap, Grey D.210	
10	2	12293200/0	Mutter	Nut	
11	2	12583500/0	Låsbricka	Grower	
12	2	12523070/0	Bricka	Washer	
13	2	22735547/0	Höjdinställ.sektor	Sector, Height Adjustment	
14	2	81005082/0	Hjulfäste	Support, Wheel	
15	2	81003286/0	Höjdinställ.spak	Lever, Height Adjustment	
16	2	22519811/0	Bult	Pin	
18	4	22034508/0	Bussning	Bush	
19	2	12523060/0	Bricka	Washer	
20	2	12155000/0	Mutter	Nut	



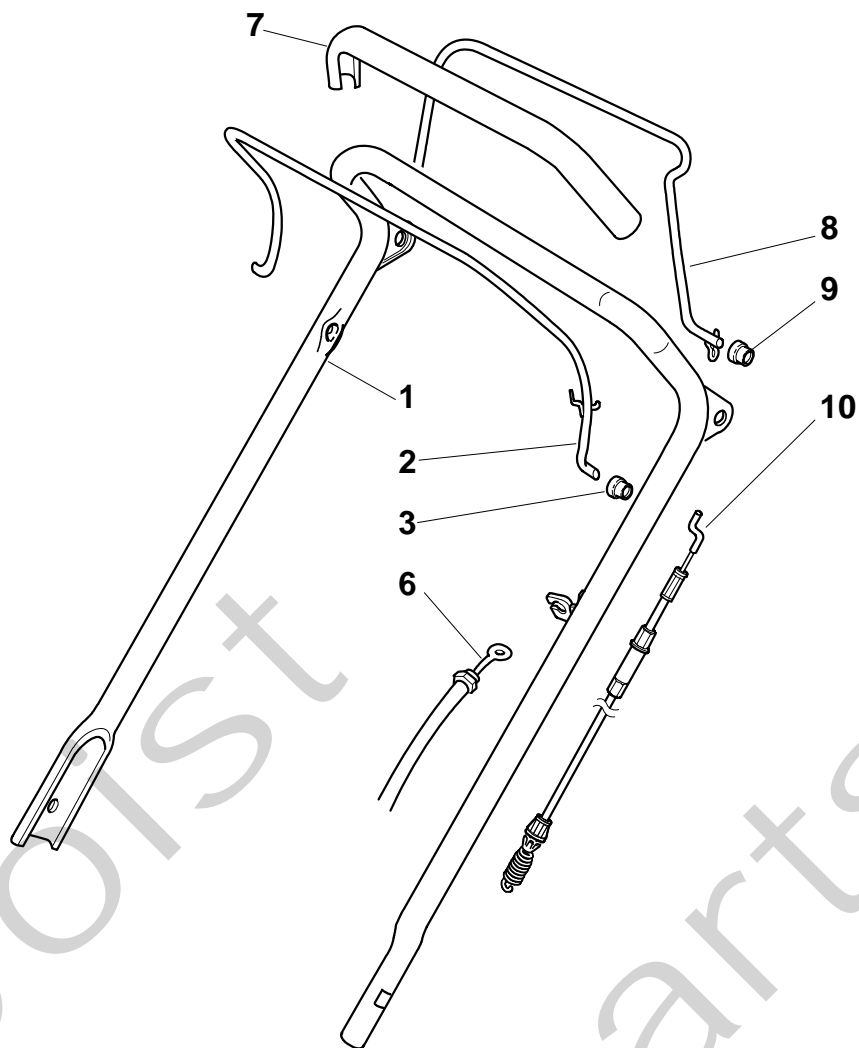
Pos. Fig.	Antal Quantity	Art No Part No	Benämning	Description	Anmärkning Notes
1	1	322226097/1	Frontkåpa-gul	Mask, Yellow	
2	2	12728523/0	Skruv	Screw	
3	1	22778421/0	Fäste-vä	Bracket, L	
4	3	12728530/0	Skruv	Screw	
5	1	22060220/0	Skydd	Protection	
6	4	12792611/0	Skruv	Screw	
7	1	22778419/0	Fäste-hö	Bracket, R	
8	4	12293201/0	Mutter	Nut	
9	2	12815200/0	Skruv	Screw	
10	2	22020400/0	Hållare	Fairlead	
11	2	12728523/0	Skruv	Screw	
12	2	12292102/0	Mutter	Nut	



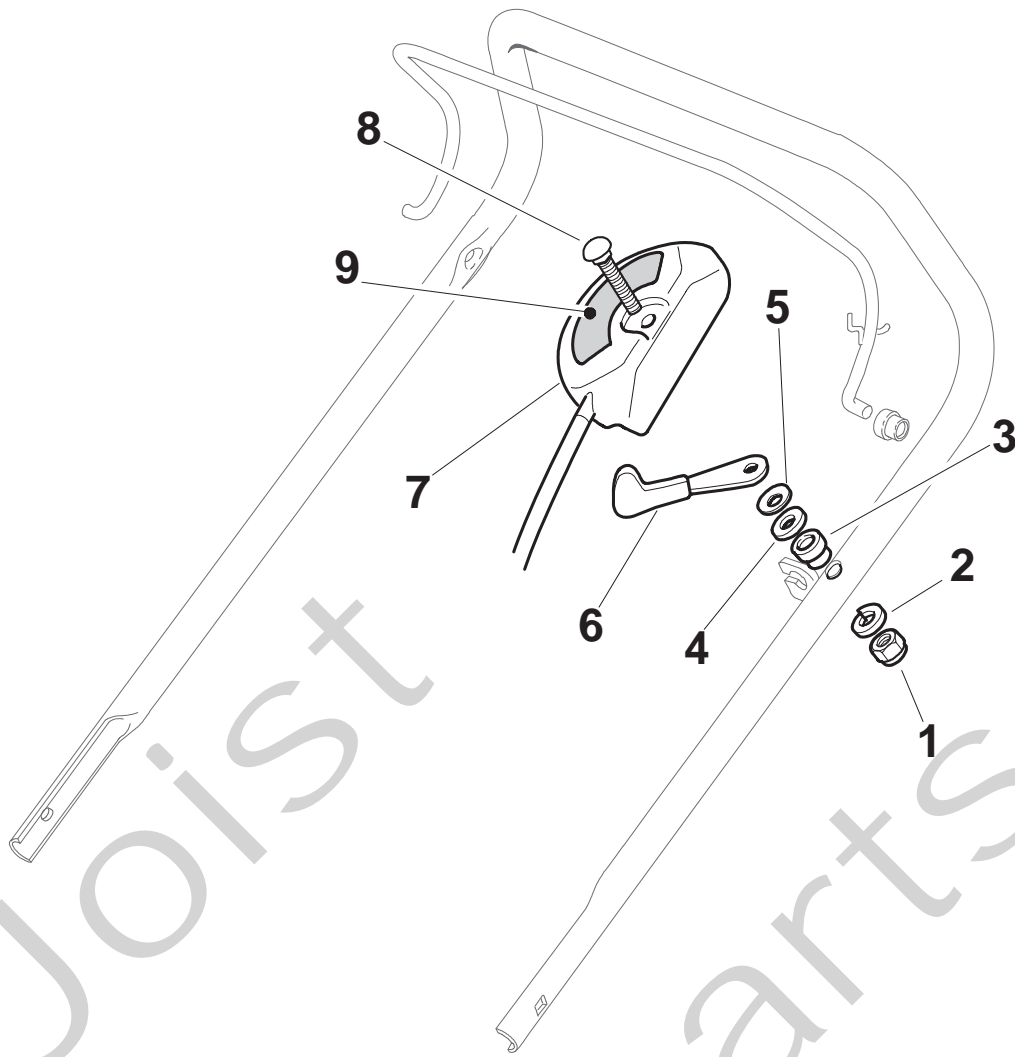
Pos. Fig.	Antal Quantity	Art No Part No	Benämning	Description	Anmärkning Notes
1	3	12792611/0	Skruv	Screw	
2	6	12523060/0	Bricka	Washer	
3	1	322207219/1	Fläns	Flange	
4	3	12293201/0	Mutter	Nut	
5	3	112735108/1	Skruv	Screw	

MULTICLIP 50 S PLUS - Model Year 2010


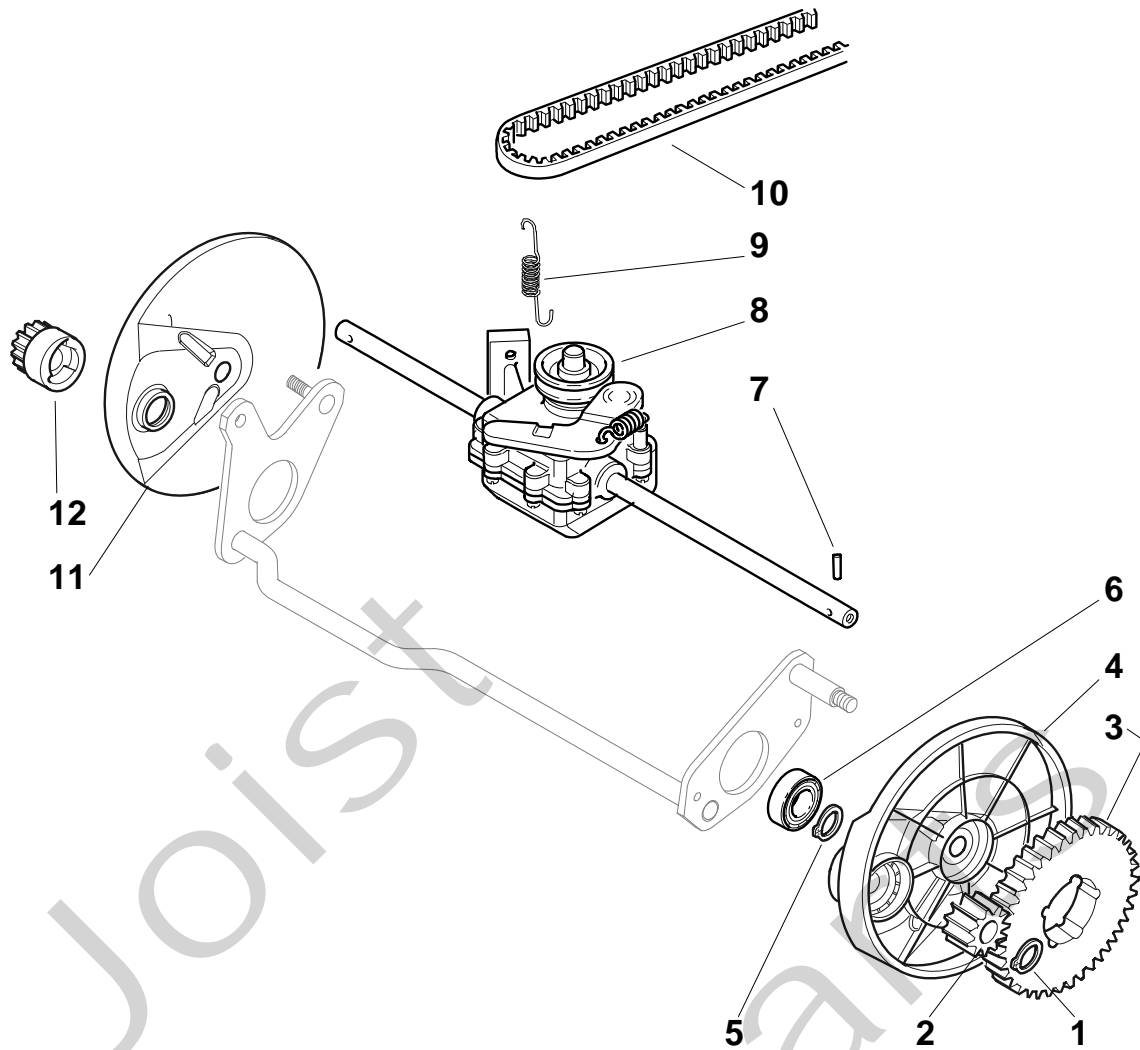
Pos. Fig.	Antal Quantity	Art No Part No	Benämning	Description	Anmärkning Notes
1	1	81006667/0	Styre-underdel	Handle, Lower Part	
2	2	18566110/0	Plugg	Cap	
3	4	12818900/0	Skruv	Screw	
4	4	12155000/0	Mutter	Nut	
5	4	18203854/0	Tätningshylsa	Protection	
6	4	12818900/0	Skruv	Screw	
7	2	12819201/0	Skruv	Screw	
8	4	22680006/1	Bricka	Washer	
9	4	322399804/1	Knopp	Knob	
10	4	12293200/0	Mutter	Nut	
11	1	81006668/0	Styre-mellandel	Handle, Middle Part	
12	1	81003801/1	Snörhållare	Guide Spring	
13	1	12819201/0	Skruv	Screw	

MULTICLIP 50 S PLUS - Model Year 2010


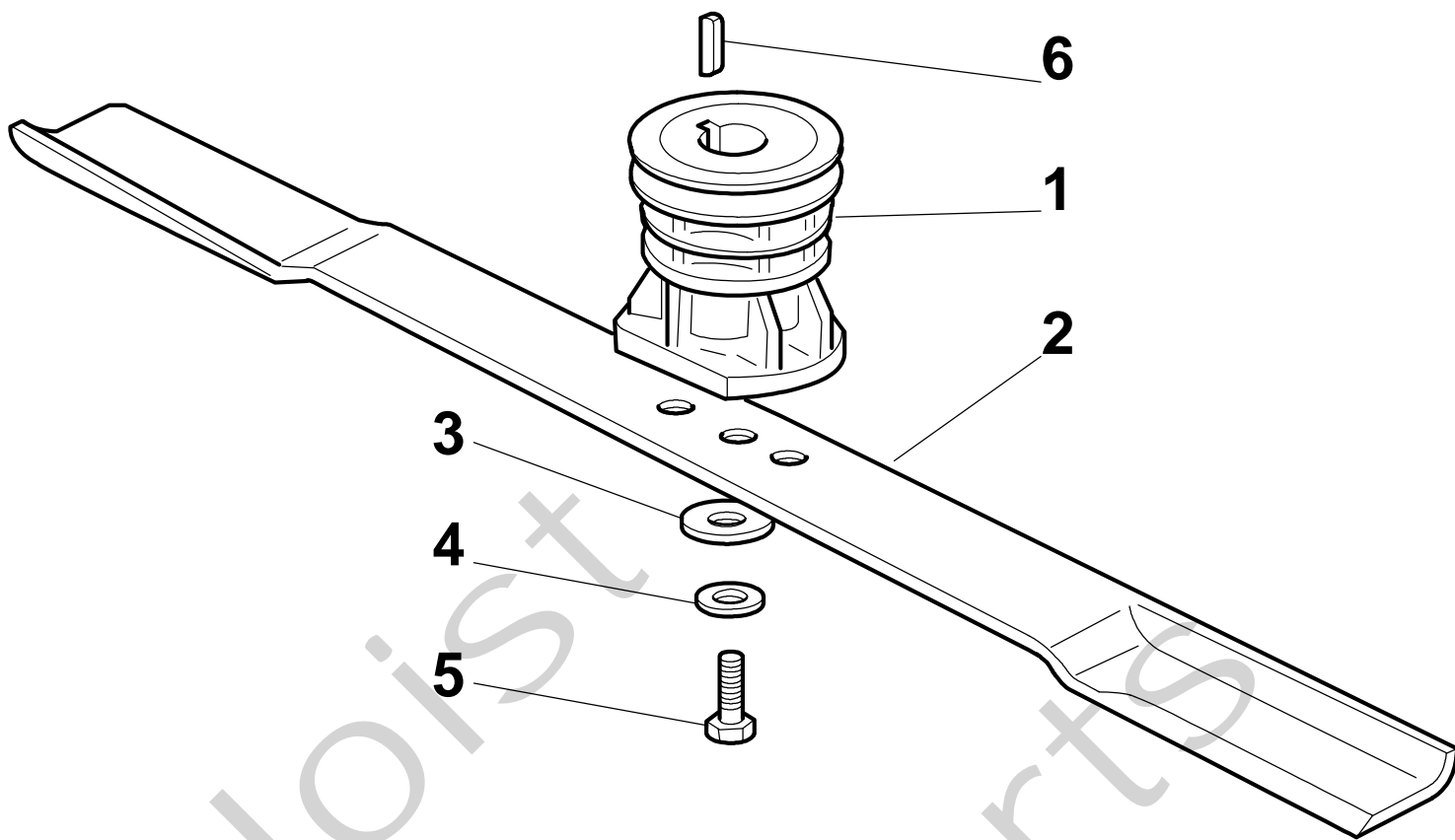
Pos. Fig.	Antal Quantity	Art No Part No	Benämning	Description	Anmärkning Notes
1	1	81007024/0	Styre-överdel	Handle, Upper Part	
2	1	81003291/3	Reglagebygel	Lever, Engine Brake	
3	2	22041966/0	Bussning	Bush	
6	1	81000618/0	Motorbromswire	Cable, Thread Motor Brake	
7	1	22291050/0	Handtag	Handgrip Black	
8	1	81003288/1	Reglagebygel	Lever, Driving	
9	2	22041965/1	Bussning	Bush	
10	1	381000745/1	Kopplingswire	Cable, Rear Drive	



Pos. Fig.	Antal Quantity	Art No Part No	Benämning	Description	Anmärkning Notes
1	1	12291000/0	Mutter	Nut	
2	1	12581500/0	Låsbricka	Grower	
3	1	22171005/0	Distans	Spacer	
4	1	12521360/0	Bricka	Washer	
5	1	12508100/0	Låsbricka	Washer	
6	1	81007220/0	Gasarm	Lever, Throttle	
7	1	81007080/0	Gaswire	Cable, Trottle	
8	1	12815000/0	Skruv	Screw	
9	1	14356702/0	Dekal	Label	



Pos. Fig.	Antal Quantity	Art No Part No	Benämning	Description	Anmärkning Notes
1	2	12608600/0	Låsring	Snap Ring	
2	1	22570120/1	Drev	Pinion L	
3	2	22120105/1	Ringdrev	Ring Gear	
4	1	22600092/0	Hjulsydd	Protection, R Wheel	
5	2	12608600/0	Låsring	Snap Ring	
6	2	19216035/0	Lager	Bearing	
7	2	22753000/0	Stift	Pin	
8	1	81003095/0	Transmission	Gear Box	
9	1	22450437/0	Fjäder	Spring	
10	1	35063902/0	Drivrem	Belt	
11	1	22600093/0	Hjulsydd	Protection, L Wheel	
12	1	22570110/1	Drev	Pinion R	



Pos. Fig.	Antal Quantity	Art No Part No	Benämning	Description	Anmärkning Notes
1	1	122465607/3	Knivfäste	Hub With Pulley, Crankshaft Ø 22.2	
2	1	81004146/0	Kniv	Blade Winged	
3	1	22160400/0	Bricka	Elastic Washer	
4	1	12523080/0	Bricka	Washer	
5	1	12735698/0	Skruv	Screw	
6	1	12139100/0	Kil	Key	