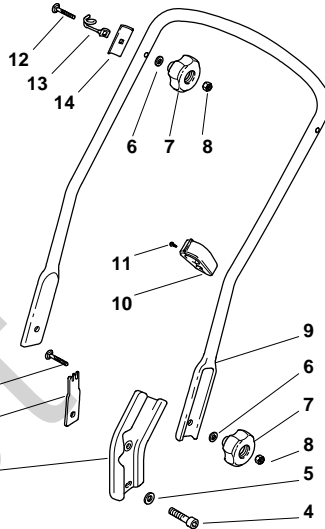


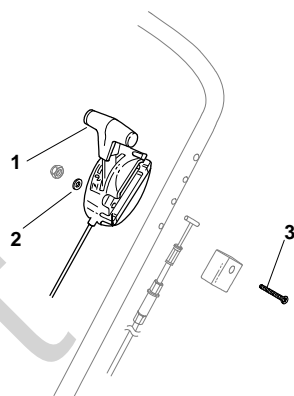
Genuine Spare Parts

**TURBO PRO 55
4S**

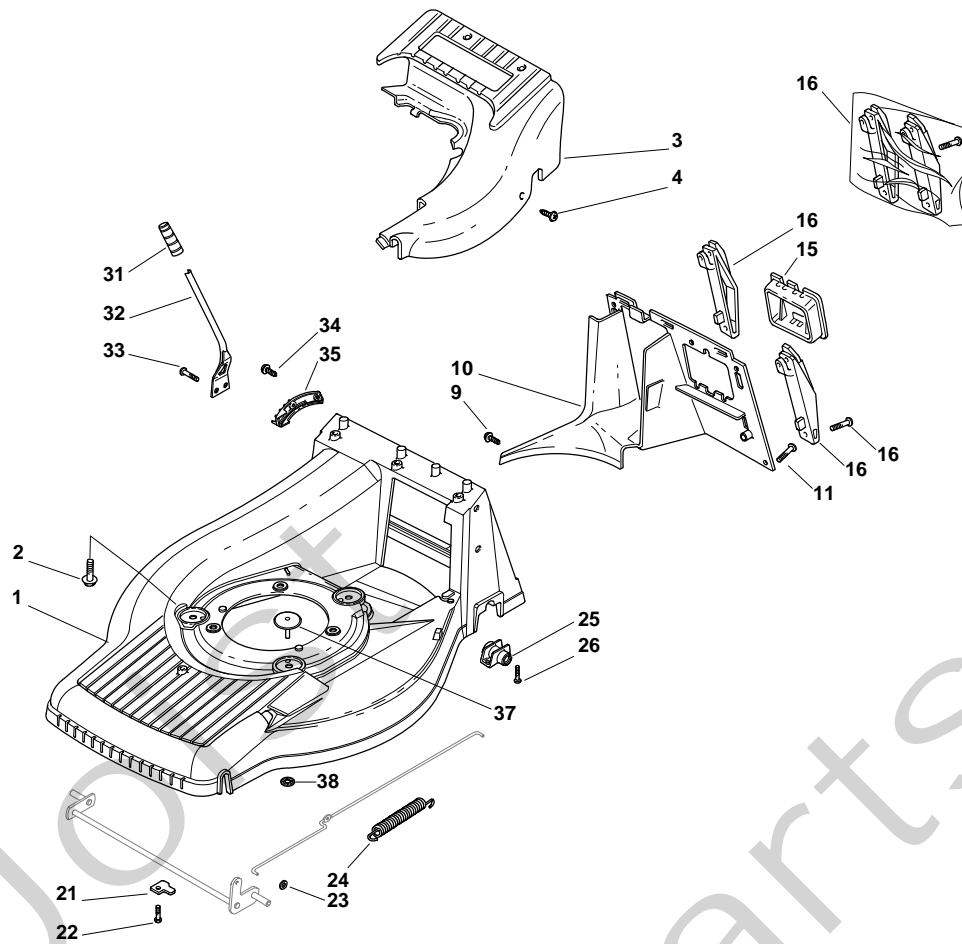




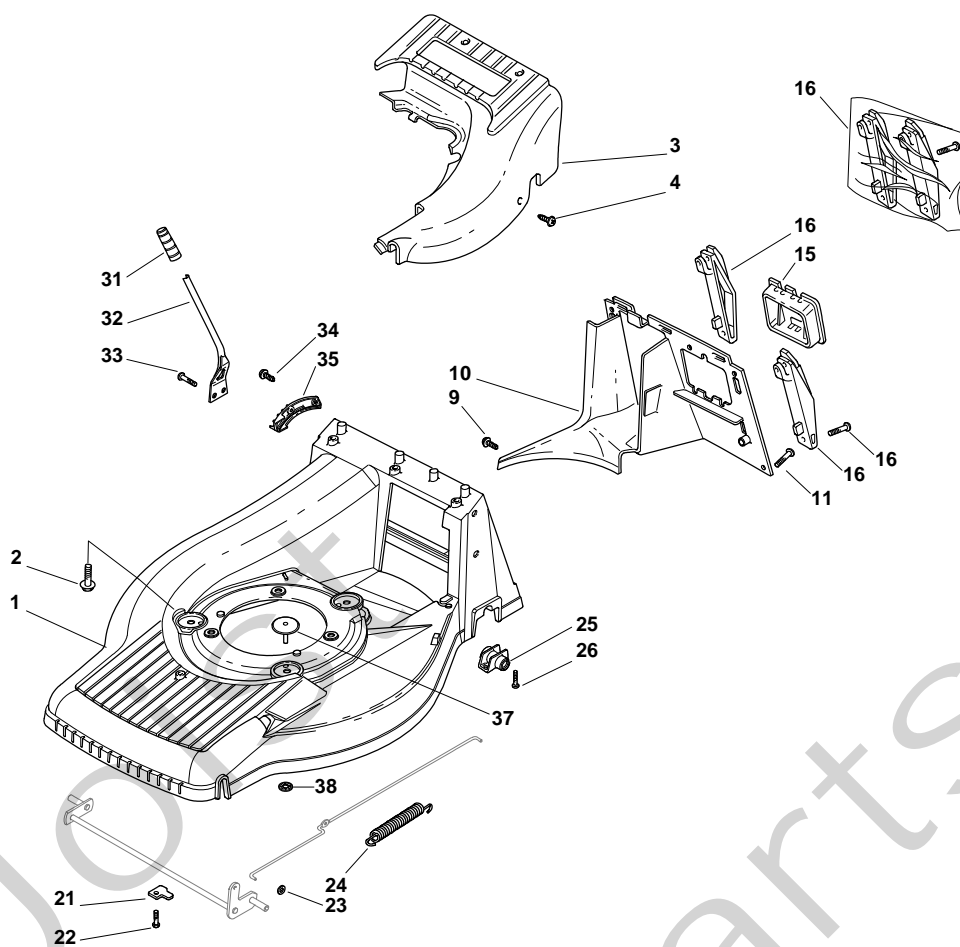
Pos. Fig.	Antal Quantity	Art No Part No	Benämning	Description	Anmärkning Notes
1	2	12820655/0	Skruv	Screw	
2	1	22551635/0	Platta	Plate For Handle	
3	2	22778405/0	Styrfäste	Support	
4	2	12760515/0	Skruv	Screw	
5	2	12521350/0	Bricka	Washer	
6	4	12521350/0	Bricka	Washer	
6	1	81002239/0	Uppsamlingsäck	Box, Fabric	
7	4	22399810/0	Lisratt	Knob	
8	4	12361005/0	Mutter	Nut	
9	1	81006613/0	Styre-underdel	Handle, Lower Part	504-554
9	1	81006613/0	Styre-underdel	Handle, Lower Part	
10	1	22192001/0	Kabelhållare	Anchor Clamp	
11	1	12728691/0	Skruv	Screw	
12	2	12820655/0	Skruv	Screw	
13	1	22430311/0	Ögla	Guide Spring	
14	2	22545137/0	Förstärkning	Plate For Handle Fastening	



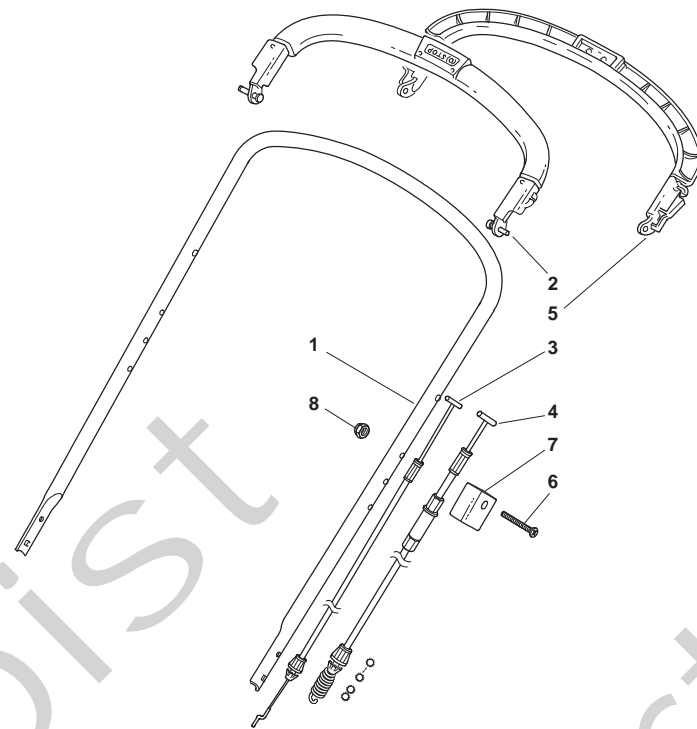
Pos. Fig.	Antal Quantity	Art No Part No	Benämning	Description	Anmärkning Notes
1	1	81007126/0	Gasreglage	Cable, Trottle	
1	1	81007126/0	Gasreglage	Cable, Trottle	(Honda)
1	1	81007128/0	Gaswire	Cable, Trottle	
1	1	81007128/0	Gaswire	Cable, Trottle	(B&S)
2	1	12523040/0	Bricka	Washer	
3	1	12727787/0	Skruv	Screw	



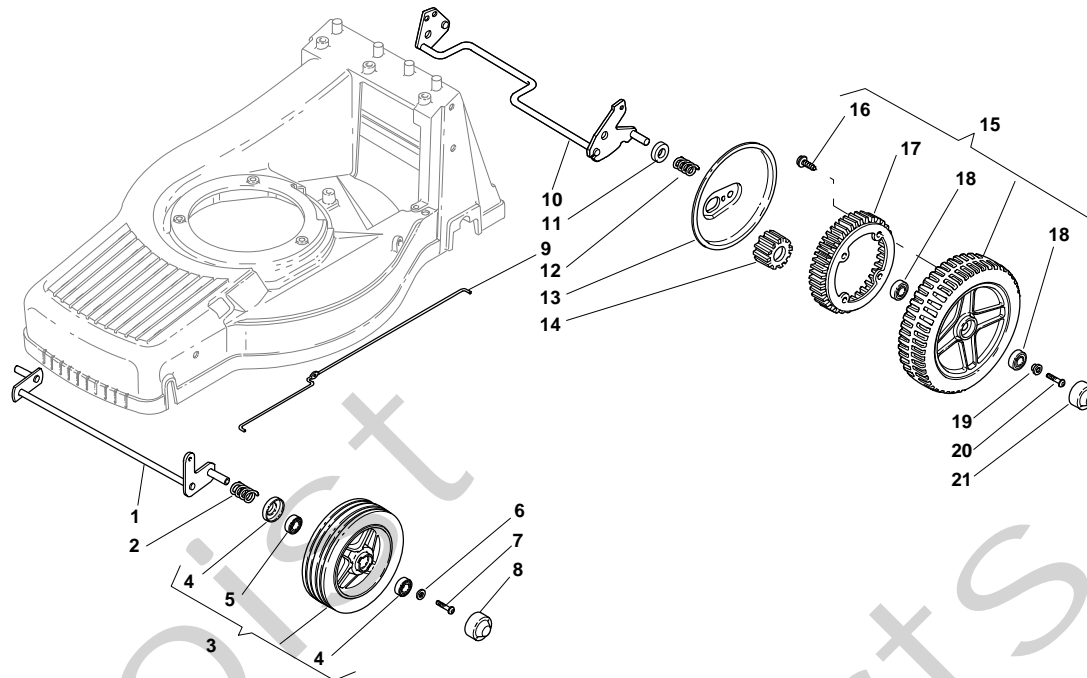
Pos. Fig.	Antal Quantity	Art No Part No	Benämning	Description	Anmärkning Notes
1	1	81002660/0	Chassi	Deck Yellow	554
1	1	81002660/0	Chassi	Deck Yellow	
2	3	112735108/1	Skruv	Screw	
3	1	22060154/0	Kípa-gul	Protection, Yellow	554 Avs
3	1	22060154/0	Kípa-gul	Protection, Yellow	554
3	1	22060156/0	Kípa-gul	Protection, Yellow	
3	1	22060156/0	Kípa-gul	Protection, Yellow	
4	3	12728300/0	Skruv	Screw	
9	1	12728300/0	Skruv	Screw	
10	1	22108277/0	Bakstam	Rear Conveyor Assy	504 - 554
10	1	22108277/0	Bakstam	Rear Conveyor Assy	
11	3	12735664/0	Skruv	Screw	
15	1	22109531/0	Lock	Cover	
16	1	81008658/1	Skrusats	Outfit, Supports	
21	2	22545160/0	Överfall	Plate	
22	2	12735664/0	Skruv	Screw	
23	2	12604898/0	Lísbricka	Crown Fastener	
24	1	22446181/0	Fjäder	Spring	
25	2	22785153/0	Bussning	Support, Gear Box	
26	4	12735664/0	Skruv	Screw	
31	1	22399808/0	Handtag	Knob	
32	1	22321515/0	Höjdinst.spak	Lever, Height Adjustment	
33	2	12735661/0	Skruv	Screw	
34	2	12728300/0	Skruv	Screw	
35	1	22735563/0	Höjdinst.sektor	Sector, Height Adjustment	
37	1	22820055/0	Plugg-gul	Cap	554 Avs
37	1	22820055/0	Plugg-gul	Cap	
37	1	22820057/0	Lock-svart	Cap Black	
37	1	22820057/0	Lock-svart	Cap Black	554 Avs
38	1	12604899/0	Lísbricka	Crown Fastener	
38	1	12604899/0	Lísbricka	Crown Fastener	554 Avs



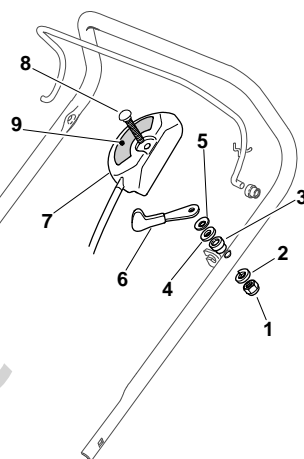
Pos. Fig.	Antal Quantity	Art No Part No	Benämning	Description	Anmärkning Notes
41	1	22140232/0	Mulchplugg	Deflector	554
41	1	22140232/0	Mulchplugg	Deflector	



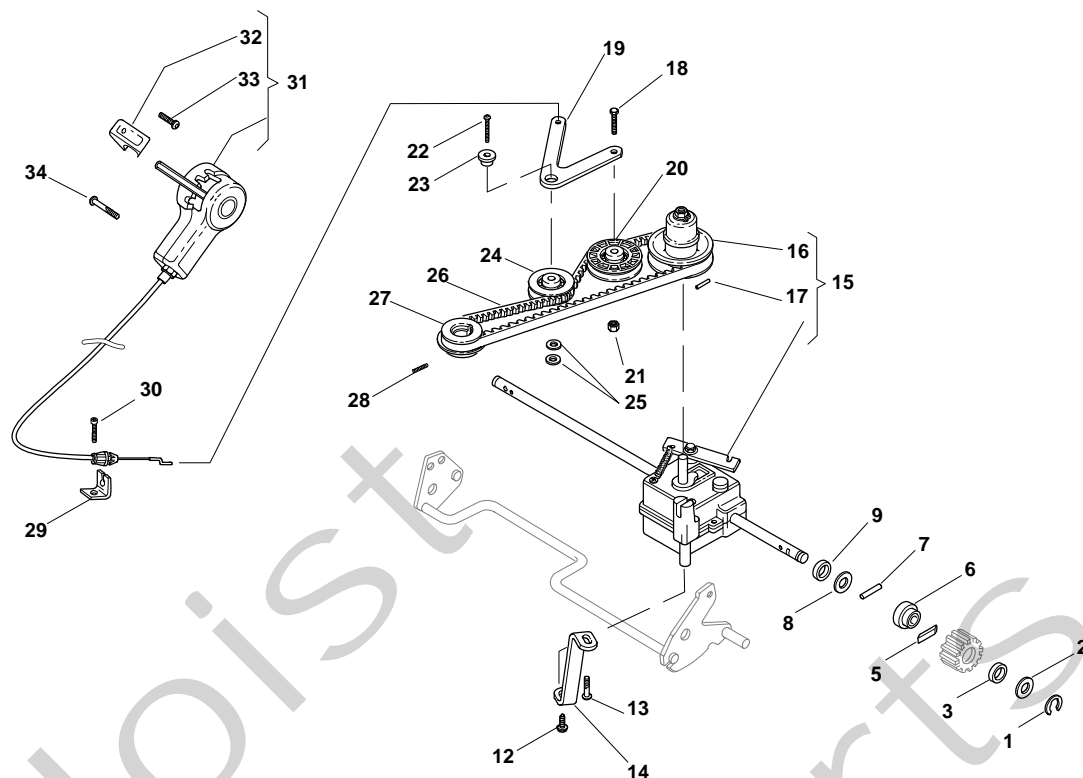
Pos. Fig.	Antal Quantity	Art No Part No	Benämning	Description	Anmärkning Notes
1	1	81006618/1	Styre-överdel	Handle, Upper Part	504 - 554
1	1	81006618/1	Styre-överdel	Handle, Upper Part	
2	1	81003320/1	Reglagebygel	Lever, Engine Brake	
3	1	181000777/0	Motorbromswire	Cable, Thread Engine Brake	
3	1	181000777/0	Motorbromswire	Cable, Thread Engine Brake	554 (B&S 700 Series)
3	1	81000688/0	Motorbromswire	Cable, Thread Motor Brake	
3	1	81000688/0	Motorbromswire	Cable, Thread Motor Brake	554 (Honda Gcv 135-160-190)
3	1	81000688/0	Motorbromswire	Cable, Thread Motor Brake	554 (Ggp 196cc)
4	1	81000697/0	Kopplingswire	Cable, Rear Drive	
5	1	81003297/1	Reglagebygel-drivning	Driving Lever	
6	1	12727783/0	Skruv	Screw	
7	1	22551640/0	Wirefäste	Plate	
8	1	12154510/0	Mutter	Nut	



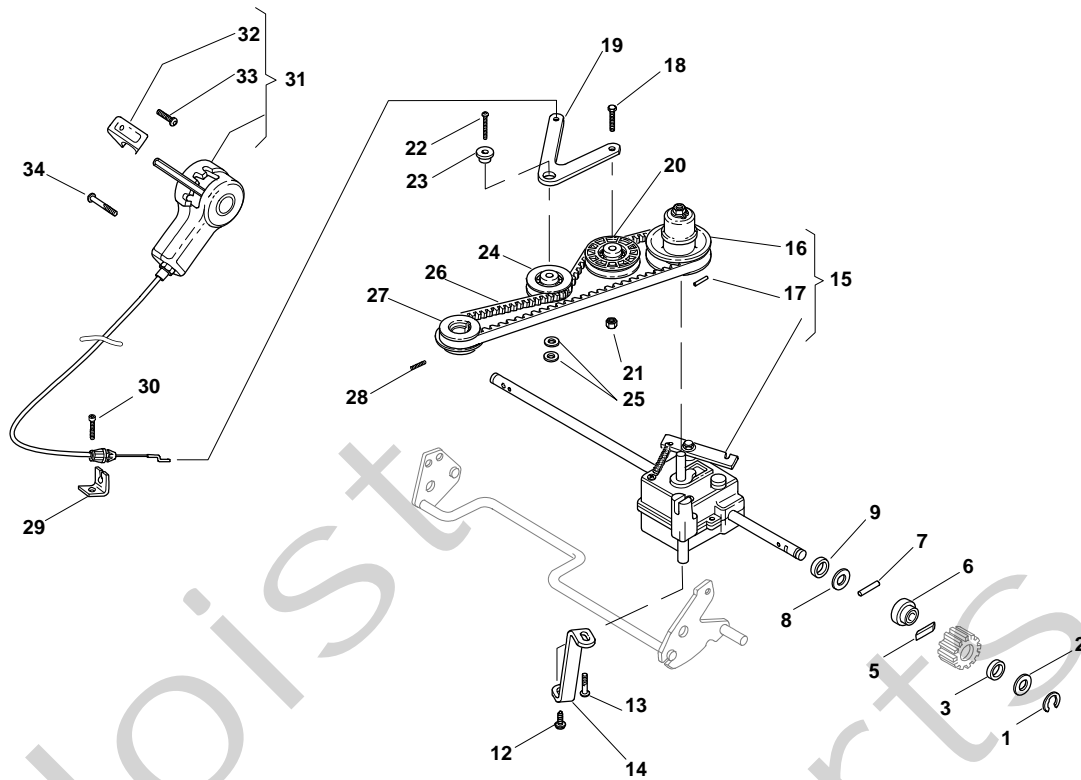
Pos. Fig.	Antal Quantity	Art No Part No	Benämning	Description	Anmärkning Notes
1	1	81002829/0	Hjulaxel	Axle, Front Wheels	554
1	1	81002829/0	Hjulaxel	Axle, Front Wheels	
2	2	22430210/0	Fjäder	Spring	
3	2	81007364/0	Hjul m.lager	Wheel	
4	2	22160522/0	Dammskydd	Dust Cover	
5	4	19216039/0	Kullager	Bearing	
6	2	12521460/0	Bricka	Washer	
7	2	12735662/0	Skruv	Screw	
8	2	22110379/0	Navkapsel	Hub Cap	
9	1	22033324/0	Höjdinst.stång	Rod, Height Adjustment Control	554
9	1	22033324/0	Höjdinst.stång	Rod, Height Adjustment Control	
10	1	81002823/0	Hjulaxel	Axle, Rear Wheels	
11	2	22170810/0	Distans	Spacer	
12	2	22430215/0	Fjäder	Spring	
13	2	22600127/0	Hjulskydd	Protection, Wheel	
14	2	22570126/0	Drev	Pinion	
15	2	81007368/0	Hjul m.lager	Wheel	554
15	2	81007368/0	Hjul m.lager	Wheel	
16	8	12728210/0	Skruv	Screw	
17	2	22120108/0	Ringdrev	Ring Gear	
18	4	19216038/0	Lager	Bearing	
19	2	22671655/0	Bricka	Washer	
20	2	12735592/0	Skruv	Screw	
21	2	22110380/0	Navkapsel	Hub Cap	



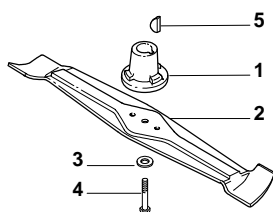
Pos. Fig.	Antal Quantity	Art No Part No	Benämning	Description	Anmärkning Notes
1	1	12291000/0	Mutter	Nut	
2	1	12581500/0	Låsbricka	Grower	
3	1	22171005/0	Distans	Spacer	
4	1	12521360/0	Bricka	Washer	
5	1	12508100/0	Låsbricka	Washer	
6	1	81007220/0	Gasarm	Lever, Throttle	(B&S 450-500 Series - Ggp 150 cc)
6	1	81007220/0	Gasarm	Lever, Throttle	
6	1	81007279/1	Gasarm	Lever, Throttle	
6	1	81007279/1	Gasarm	Lever, Throttle	(B&S 625-675-700 Series - Honda - Ggp 140-160-196 cc)
7	1	81007080/0	Gaswire	Cable, Throttle	
8	1	12815000/0	Skruv	Screw	
9	1	114356905/0	Dekal	Label	(B&S 700 series DOV)
9	1	114356905/0	Dekal	Label	
9	1	114356905/0	Dekal	Label	(Honda GCV 160-190 Autochoke)
9	1	114364264/0	Dekal	Label	AVS (GGP 160-196)
9	1	114364264/0	Dekal	Label	
9	1	14356702/0	Dekal	Label	(GGP)
9	1	14356702/0	Dekal	Label	(Honda)
9	1	14356702/0	Dekal	Label	
9	1	14356703/0	Dekal	Label	(B&S)
9	1	14356703/0	Dekal	Label	



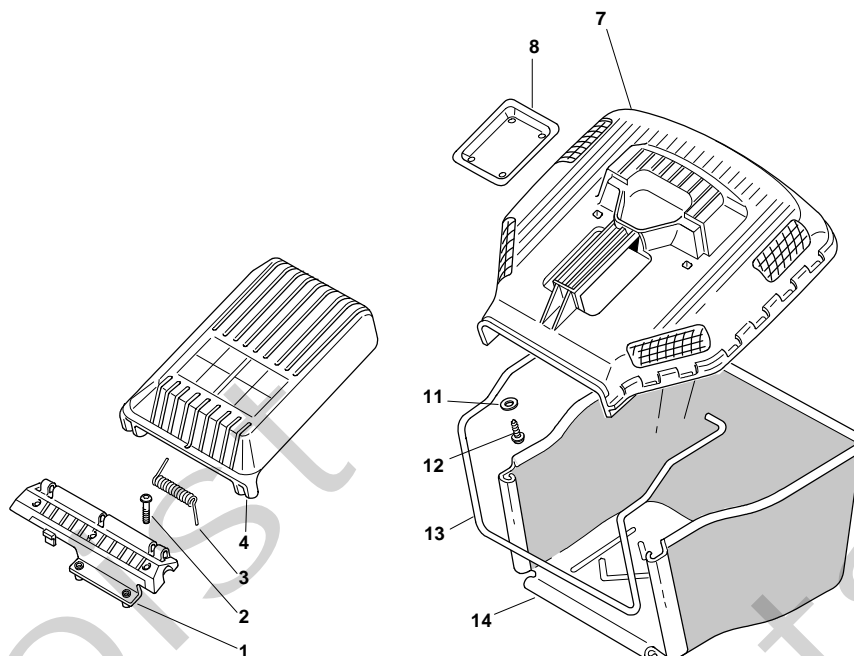
Pos. Fig.	Antal Quantity	Art No Part No	Benämning	Description	Anmärkning Notes
1	2	12000957/0	Låsring	Benzing	
2	2	12520032/0	Bricka	Washer	
3	2	22160520/0	Dammskydd	Dust Cover	
5	2	22076645/0	Kil	Key	
6	2	22170630/0	Distans	Spacer	
7	2	22753002/0	Stift	Pin	
8	2	12520032/0	Bricka	Washer	
9	2	19035152/0	Tätningring	Or Ring	
12	1	12728300/0	Skruv	Screw	
13	1	12735664/0	Skruv	Screw	
14	1	22778407/0	Fäste	Support	454 - 554
14	1	22778407/0	Fäste	Support	
15	1	81003086/0	Transmission	Gear Box	
15	1	81003086/0	Transmission	Gear Box	504 - 554
16	1	22601916/0	Variator	Pulley	
17	1	12645700/0	Stift	Pin	
18	1	12674550/0	Skruv	Screw	
19	1	22320003/0	Reglagebygel-drivning	Driving Lever	
19	1	22320003/0	Reglagebygel-drivning	Driving Lever	554
20	1	22601914/0	Spännrulle	Pulley	
21	1	12154510/0	Mutter	Nut	
22	1	12735669/0	Skruv	Screw	
23	1	22671656/0	Distans	Washer	
24	1	22601915/0	Spännrulle	Pulley	
25	2	12523040/0	Bricka	Washer	
26	1	35064383/0	Drivrem	Belt	
26	1	35064383/0	Drivrem	Belt	554
27	1	22601917/0	Remskiva	Pulley, Crankshaft D.22.2	
28	1	12714312/0	Stift	Dowel	
29	1	22806619/0	Fäste	Support	
30	1	12735664/0	Skruv	Screw	



Pos. Fig.	Antal Quantity	Art No Part No	Benämning	Description	Anmärkning Notes
31	1	81007098/0	Variatorreglage	Cable, Speed Drive Control	554
31	1	81007098/0	Variatorreglage	Cable, Speed Drive Control	
32	1	22399809/0	Knopp	Knob	
33	2	12728300/0	Skruv	Screw	
34	2	12728702/0	Skruv	Screw	



Pos. Fig.	Antal Quantity	Art No Part No	Benämning	Description	Anmärkning Notes
1	1	22465618/0	Nav	Hub	554
2	1	81004144/0	Kniv	Blade	
2	1	81004144/0	Kniv	Blade	
3	1	12530140/0	Bricka	Washer	
4	1	12735698/0	Skruv	Screw	
5	1	12139100/0	Kil	Key	



Pos. Fig.	Antal Quantity	Art No Part No	Benämning	Description	Anmärkning Notes
1	1	22785157/0	Luckfäste-gul	Support, Yellow	504-554
1	1	22785157/0	Luckfäste-gul	Support, Yellow	
1	1	22785179/0	Luckfäste	Support, Black	
1	1	22785179/0	Luckfäste	Support, Black	504-554
2	3	12735664/0	Skruv	Screw	
3	1	22450443/0	Fjäder	Spring	
4	1	22600068/1	Lucka	Stone-Guard	504-554
4	1	22600068/1	Lucka	Stone-Guard	
4	1	22600069/1	Lucka	Stone-Guard, Yellow	
4	1	22600069/1	Lucka	Stone-Guard, Yellow	504-554
7	1	22486095/0	Uppsamlare-överdel	Grass-Box, Upper Part	
7	1	22486095/0	Uppsamlare-överdel	Grass-Box, Upper Part	504-554
8	1	22486098/0	Platta	Plate	
11	2	12521460/0	Bricka	Washer	
12	2	12728300/0	Skruv	Screw	
13	1	22608528/0	Trådbygel	Stiffening Lower	
13	1	22608528/0	Trådbygel	Stiffening Lower	504-554
14	1	81002235/0	Uppsamlingssäck	Box, Fabric	
14	1	81002235/0	Uppsamlingssäck	Box, Fabric	504-554