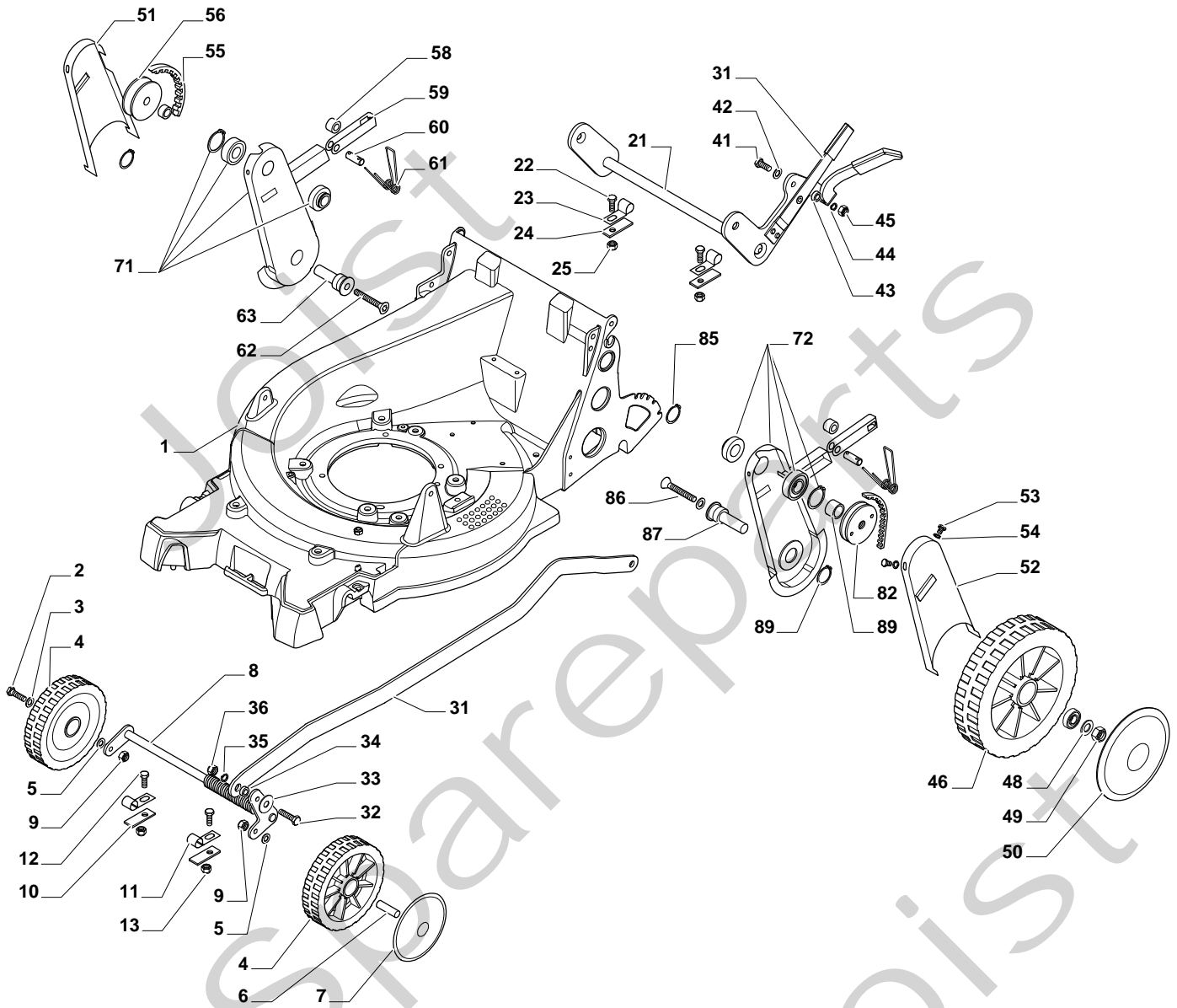


Genuine Spare Parts

**TURBO HD 60
MHV**



TURBO HD 60 MHV - Model Year 2009

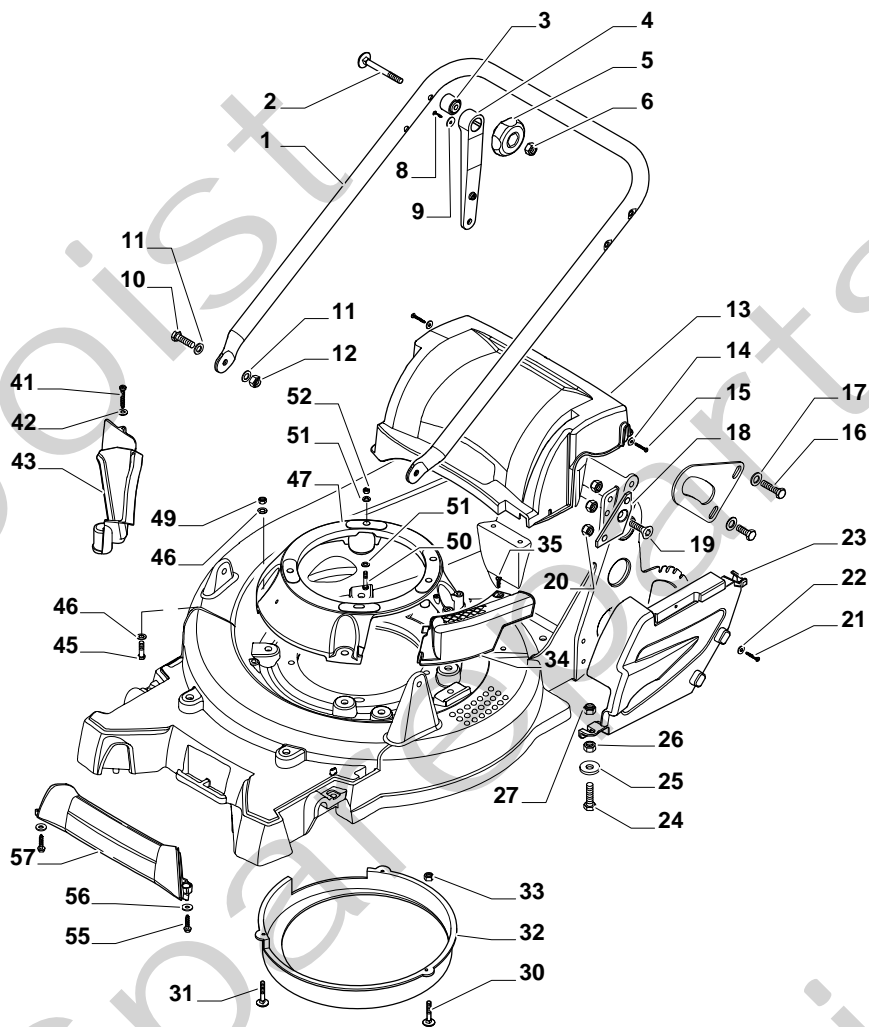




TURBO HD 60 MHV - Model Year 2009

Pos. Fig.	Antal Quantity	Art No Part No	Benämning	Description	Anmärkning Notes
1	1	381003773/0	Chassi	Deck Grey	
2	2	12691700/0	Skruv	Screw	
3	2	12523060/0	Bricka	Washer	
4	2	15796	Stödhjul	Wheel D.200	
5	2	12524010/0	Bricka	Washer	
6	2	10724	Sprint	Pin	
7	2	14604	Navkapsel-grf	Hub Cap, Grey D.200	
8	1	381002867/0	Hjulaxel	Axle, Front Wheels	
9	2	12155000/0	Mutter	Nut	
10	2	10646	Plåt	Plate	
11	2	14109	Platta	Plate	
12	2	12793701/0	Skruv	Screw	
13	2	12524010/0	Bricka	Washer	
21	1	11760	Hjulaxel	Axle, Rear Wheels	
22	2	12793700/0	Skruv	Screw	
23	2	14109	Platta	Plate	
24	2	10646	Plåt	Plate	
25	2	12155000/0	Mutter	Nut	
31	1	381002025/0	Höjdinställn.stång	Rod, Height Adjustment	
32	1	12793700/0	Skruv	Screw	
33	1	12523070/0	Bricka	Washer	
34	1	11705	Bussning	Bush	
35	1	12523070/0	Bricka	Washer	
36	1	12155000/0	Mutter	Nut	
41	1	12793700/0	Skruv	Screw	
42	1	12521350/0	Bricka	Washer	
43	1	11705	Bussning	Bush	
44	1	12523070/0	Bricka	Washer	
45	1	12155000/0	Mutter	Nut	
46	2	15795	Stödhjul	Wheel D.250	
48	2	12523060/0	Bricka	Washer	
49	2	12155000/0	Mutter	Nut	
50	2	14601	Navkapsel-grf	Hub Cap, Grey D.250	
51	1	381119751/0	Remskydd	Protection, Belt	
52	1	381119753/0	Remskydd	Protection, Belt	
53	4	12788800/0	Skruv	Screw	
54	4	12581500/0	Lisbricka	Grower	
55	2	10700	Drivrem	Belt	
56	1	11109	Remskiva	Pulley	
58	2	10530	Bussning	Bush	
59	2	10529	Plåt	Plate	
60	2	10531	Sprint	Pin	
61	2	10636	Fjäder	Spring	
62	1	112882030/0	Skruv	Screw	
63	2	10467	Sprint	Pin	
71	1	11763	Protection, Belt	Protection, Belt	
72	1	11762	Protection, Belt	Protection, Belt	
81	2	11108	Distans	Spacer	
82	1	11110	Remskiva	Pulley	
85	2	112609800/0	Seegerring	Seeger	
86	1	112882035/0	Skruv	Screw	
87	1	12523070/0	Bricka	Washer	
89	2	112609800/0	Seegerring	Seeger	

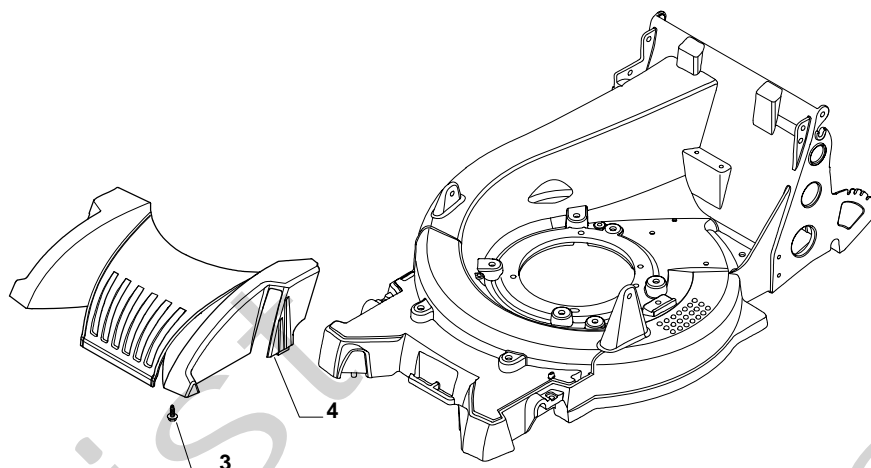
TURBO HD 60 MHV - Model Year 2009



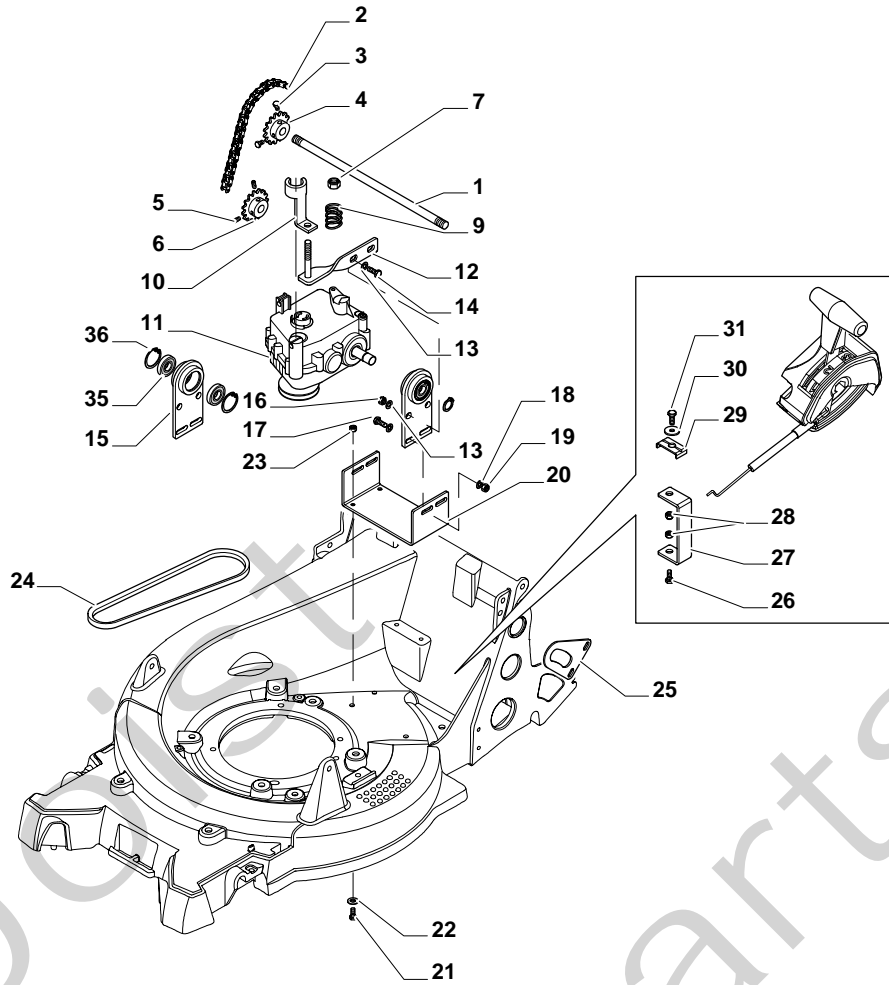


TURBO HD 60 MHV - Model Year 2009

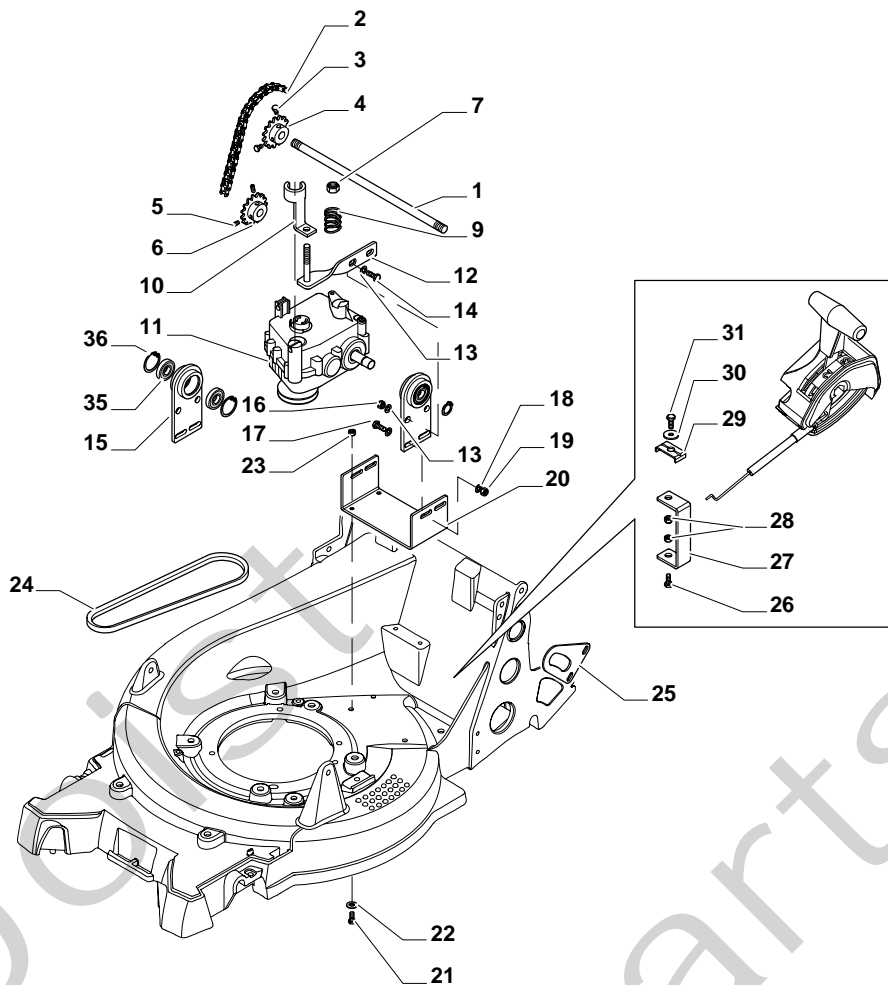
Pos. Fig.	Antal Quantity	Art No Part No	Benämning	Description	Anmärkning Notes
1	1	322498121/0	Styre-underdel	Handle, Lower Part Yellow	
2	2	112819205/0	Skruv	Screw	
3	2	322020501/0	Hylsa	Shock Absorber	
4	2	322785285/0	Stöd	Support	
5	2	322399804/1	Knopp	Knob	
6	2	12293200/0	Mutter	Nut	
8	2	12735101/0	Skruv	Screw	
9	2	12523010/0	Bricka	Washer	
10	2	12793701/0	Skruv	Screw	
11	4	12521350/0	Bricka	Washer	
12	2	12155000/0	Mutter	Nut	
13	1	322109824/0	Kåpa-övre	Cover, Upper Black	
14	2	112523000/1	Bricka	Washer	
15	2	12728525/0	Skruv	Screw	
16	4	12793701/0	Skruv	Screw	
17	2	12521350/0	Bricka	Washer	
18	1	15228	Stödhjul	Support	
19	1	112882005/0	Skruv	Screw	
20	3	12155000/0	Mutter	Nut	
21	1	12728525/0	Skruv	Screw	
22	2	112523000/1	Bricka	Washer	
23	1	322060229/0	Hus	Case	
24	1	12793701/0	Skruv	Screw	
25	1	12524010/0	Bricka	Washer	
26	1	12293200/0	Mutter	Nut	
27	1	12155000/0	Mutter	Nut	
30	1	112760471/0	Skruv	Screw	
31	2	112760470/0	Skruv	Screw	
32	1	10743	Inmatningstratt	Conveyor	
33	3	12150000/0	Mutter	Nut	
34	1	322601010/0	Skydd	Guard	
35	1	12735101/0	Skruv	Screw	
41	1	12728525/0	Skruv	Screw	
42	2	112523000/1	Bricka	Washer	
43	1	322601012/0	Skydd	Guard	
45	4	112794400/0	Skruv	Screw	
46	8	12521360/0	Bricka	Washer	
47	1	381207228/0	Fläns	Flange	
49	4	12156602/0	Mutter	Nut	
50	3	12793801/0	Skruv	Screw	
51	6	12521350/0	Bricka	Washer	
52	3	12155000/0	Mutter	Nut	
55	2	12731600/1	Skruv	Screw	
56	2	12523020/0	Bricka	Washer	
57	1	322485001/0	Skydd	Guard	



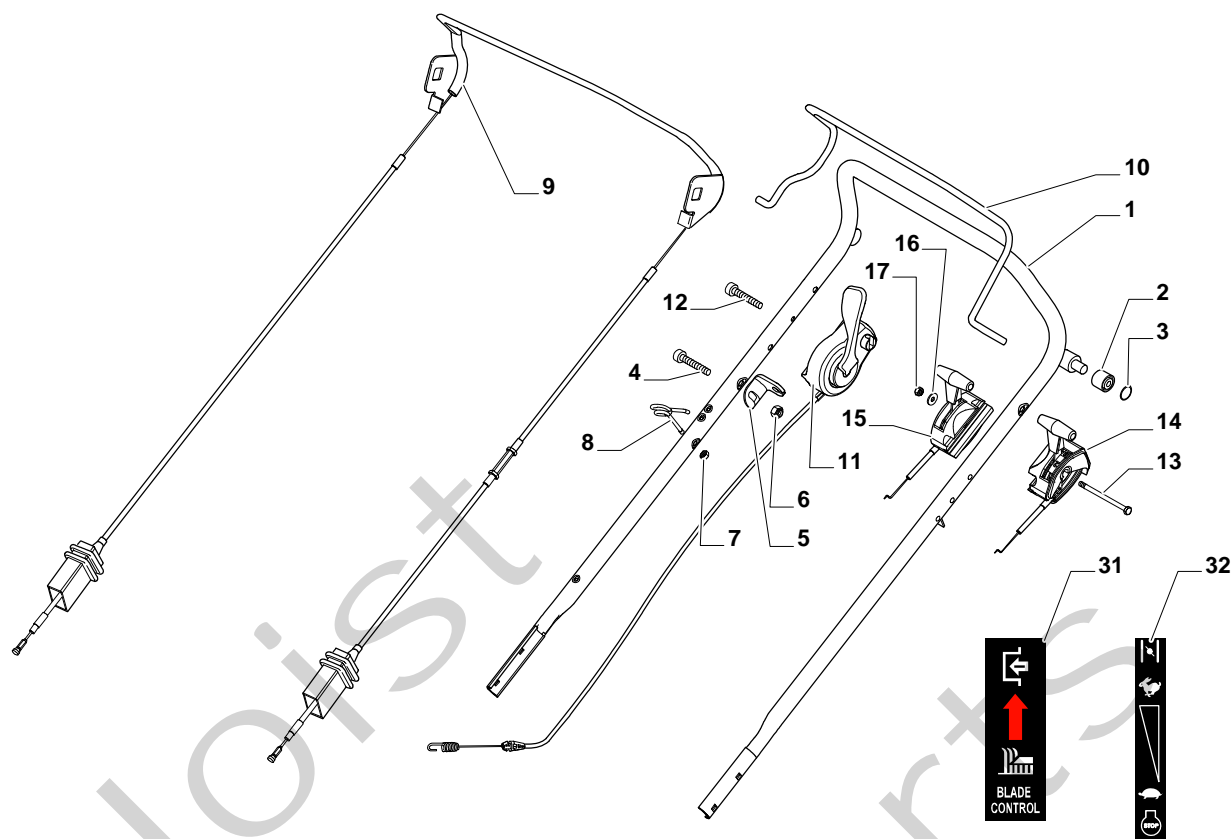
Pos. Fig.	Antal Quantity	Art No Part No	Benämning	Description	Anmärkning Notes
3	2	112735420/0	Skruv	Screw	
4	1	322226132/0	Frontkläpa-gul	Mask, Yellow	



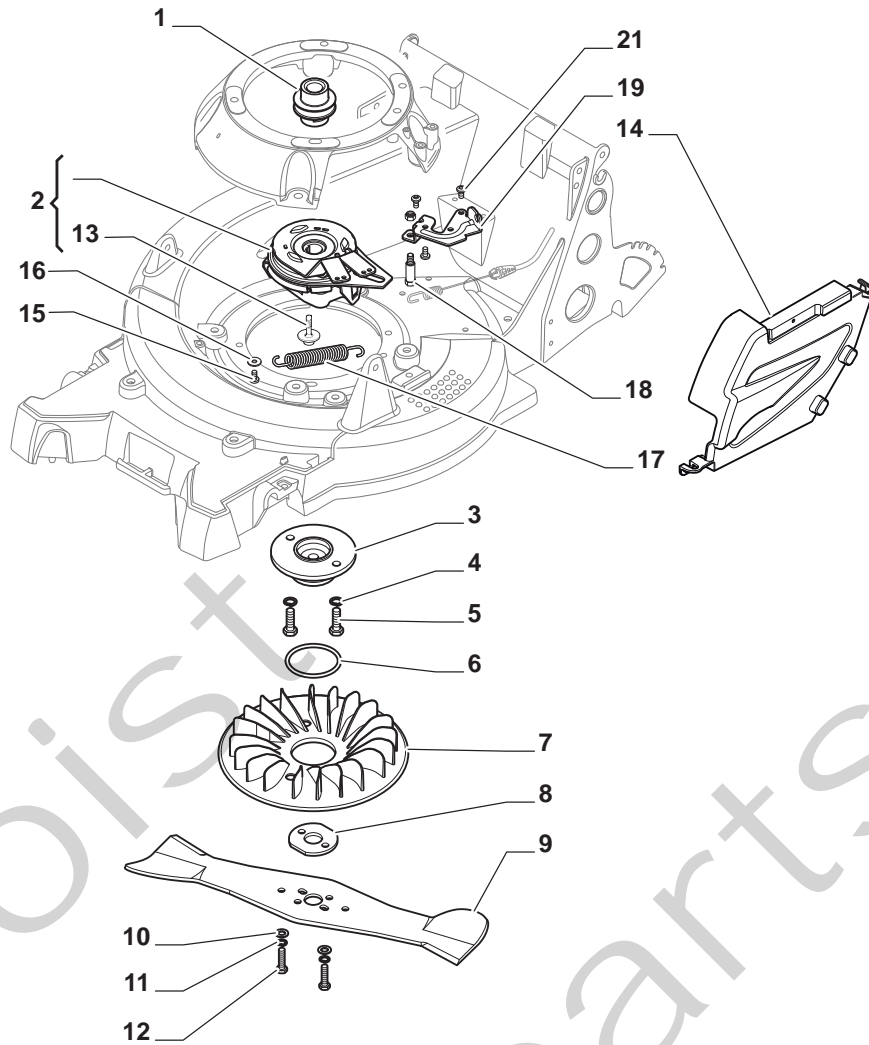
Pos. Fig.	Antal Quantity	Art No Part No	Benämning	Description	Anmärkning Notes
1	1	11111	Axel	Axle	
2	1	15748	Kedja	Chain	
3	2	VBCH6x12	Skruv	Screw	
4	1	11751	Drev	Pinion 17T	
5	2	112716110/0	Stift	Dowel	
6	1	15803	Drev	Pinion 15T	
7	1	12154510/0	Mutter	Nut	
9	1	25135	Fjäder	Spring	
10	1	15730	Fäste	Clamp	
11	1	15809	Transmission	Gear Box	
12	1	15729	Stödhjul	Support	
13	8	12523040/0	Bricka	Washer	
14	4	12791400/0	Skruv	Screw	
15	2	15724	Stödhjul	Support	
16	4	12154510/0	Mutter	Nut	
17	4	12791400/0	Skruv	Screw	
18	8	12523040/0	Bricka	Washer	
19	4	12154510/0	Mutter	Nut	
20	1	15725	Platta	Plate	
21	4	112791200/1	Skruv	Screw	
22	1	112543001/0	Bricka	Washer	
23	4	12154510/0	Mutter	Nut	
24	1	14586	Drivrem	Belt	
25	2	322545193/0	Pått	Plate	
26	1	112791200/1	Skruv	Screw	
27	1	15723	Stödhjul	Support	
28	2	12154510/0	Mutter	Nut	
29	1	10629	Pått	Plate	
30	1	12523050/0	Bricka	Washer	
31	1	12791500/0	Skruv	Screw	
35	4	19216035/0	Lager	Bearing	



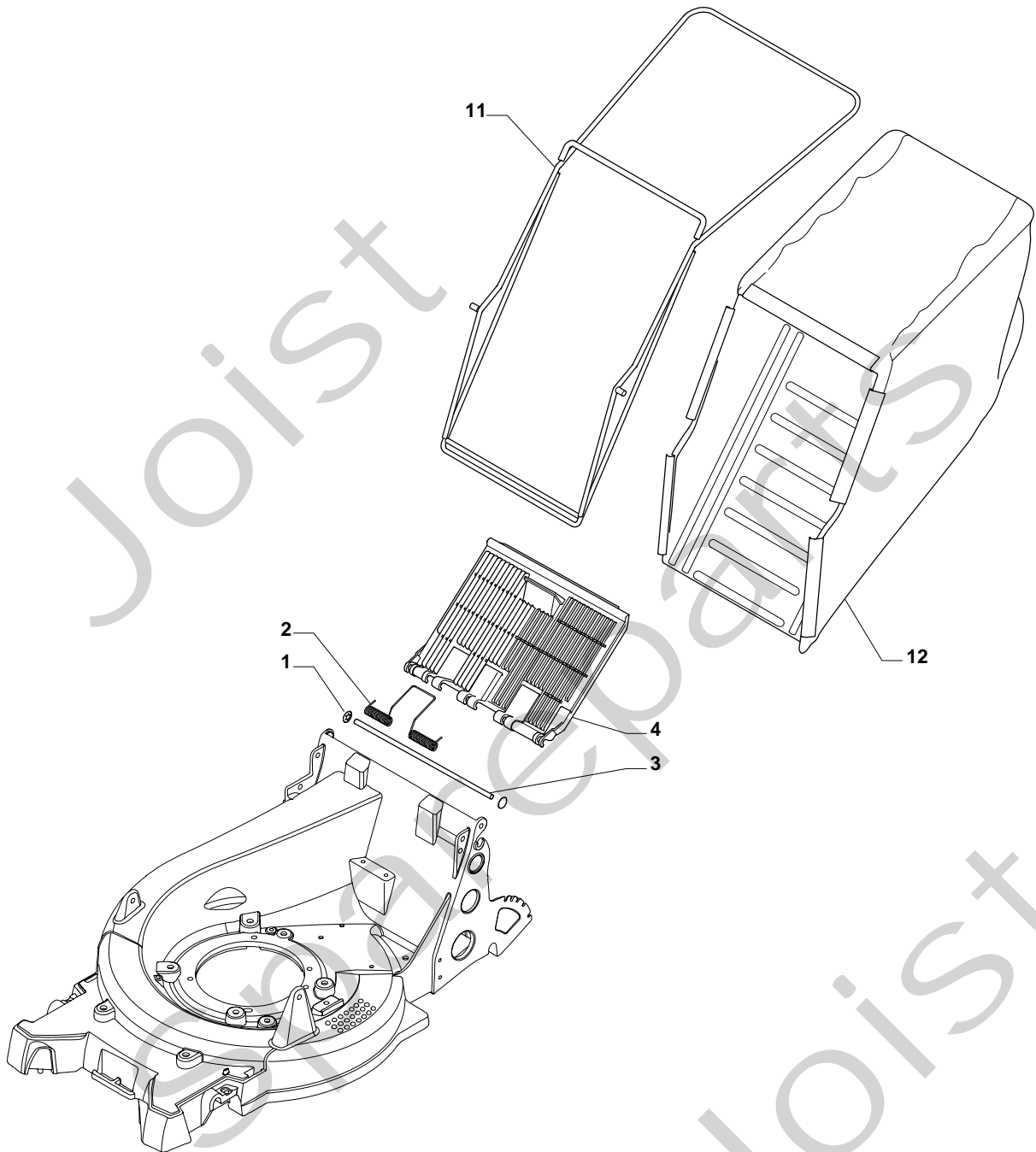
Pos. Fig.	Antal Quantity	Art No Part No	Benämning	Description	Anmärkning Notes
36	4	12610095/0	Låsring	Snap Ring	



Pos. Fig.	Antal Quantity	Art No Part No	Benämning	Description	Anmärkning Notes
1	1	381006873/0	Styre-överdel	Handle, Upper Part Yellow	
2	2	11076	Bussning	Bush	
3	2	14608	Låsbricka	Crown Fastener	
4	1	12727793/0	Skruv	Screw	
5	1	14599	Plåt	Plate For Cable Fastening	
6	1	12154510/0	Mutter	Nut	
7	1	12154330/0	Mutter	Nut	
8	1	122430309/0	Brytare	Spring	
9	1	381030038/1	Arm	Lever, Rear Drive	
10	1	181003333/0	Kopplingswire	Cable, Mechanical Clutch	
11	1	381030034/0	Kopplingswire	Cable, Mechanical Clutch	
12	1	12727793/0	Skruv	Screw	
13	1	112689590/0		Screw	
14	1	181007143/0	Variatorreglage	Cable, Speed Drive Control	
15	1	181007144/0	Gaswire	Cable, Trottle	
16	1	12523040/0	Bricka	Washer	
17	1	12154510/0	Mutter	Nut	
31	1	114363817/0	Dekal	Label	
32	1	114364387/0	Dekal	Label	



Pos. Fig.	Antal Quantity	Art No Part No	Benämning	Description	Anmärkning Notes
1	1	122601924/0	Remskiva	Pulley	
2	1	118399052/0	Koppling kpl	Mechanical Clutch	
3	1	122465641/0	Nav	Hub	
4	2	12540070/0	Bricka	Washer	
5	2	12794300/0	Skruv	Screw	
6	1	25489	Låsring	Ring	
7	1	25041	Fläkt	Fan	
8	1	322207335/0	Fläns	Flange	
9	1	181004149/0	Kniv	Blade Standard	
10	2	12521350/0	Bricka	Washer	
11	2	12583500/0	Låsbricka	Grower	
12	2	12793301/0	Skruv	Screw	
13	1	12735460/0	Skruv	Screw	
14	1	322060233/0	Case	Case	
15	1	12735662/0	Skruv	Screw	
16	1	12523040/0	Bricka	Washer	
17	1	122446189/0	Fjäder	Spring	
18	1	125580018/0	Sprint	Pin	
19	1	322551667/0	Plåt	Plate For Cable Fastening	
21	4	12735662/0	Skruv	Screw	





TURBO HD 60 MHV - Model Year 2009

Pos. Fig.	Antal Quantity	Art No Part No	Benämning	Description	Anmärkning Notes
1	2	14608	Låsbricka	Crown Fastener	
2	1	10850	Fjäder	Spring	
3	1	10679	Sprint	Pin	
4	1	11189	Lucka	Stone-Guard	
11	1	14436	Chassi	Chassis Box	
12	1	181002296/0	Uppsamlingsäck	Box, Fabric Stiga	