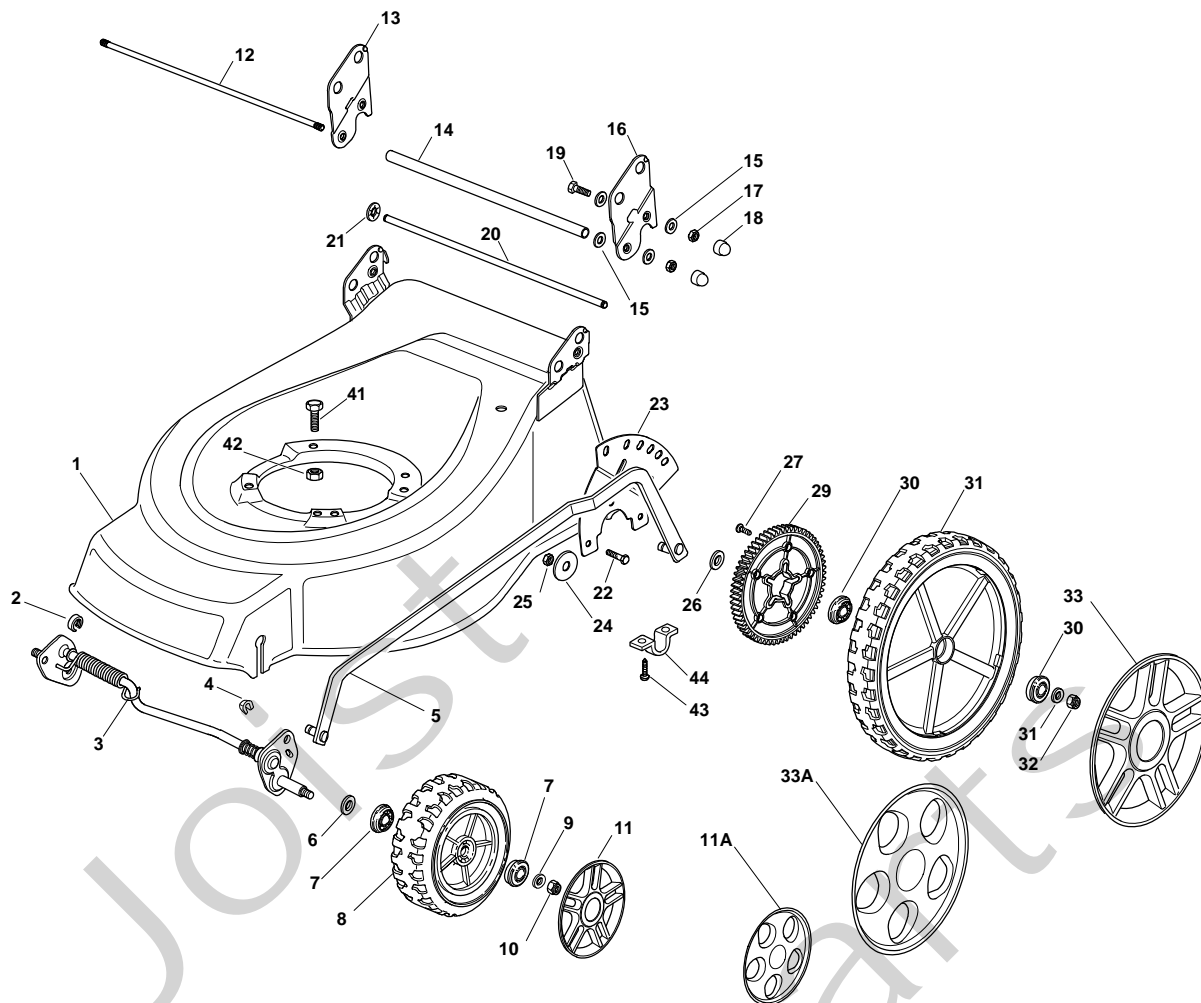


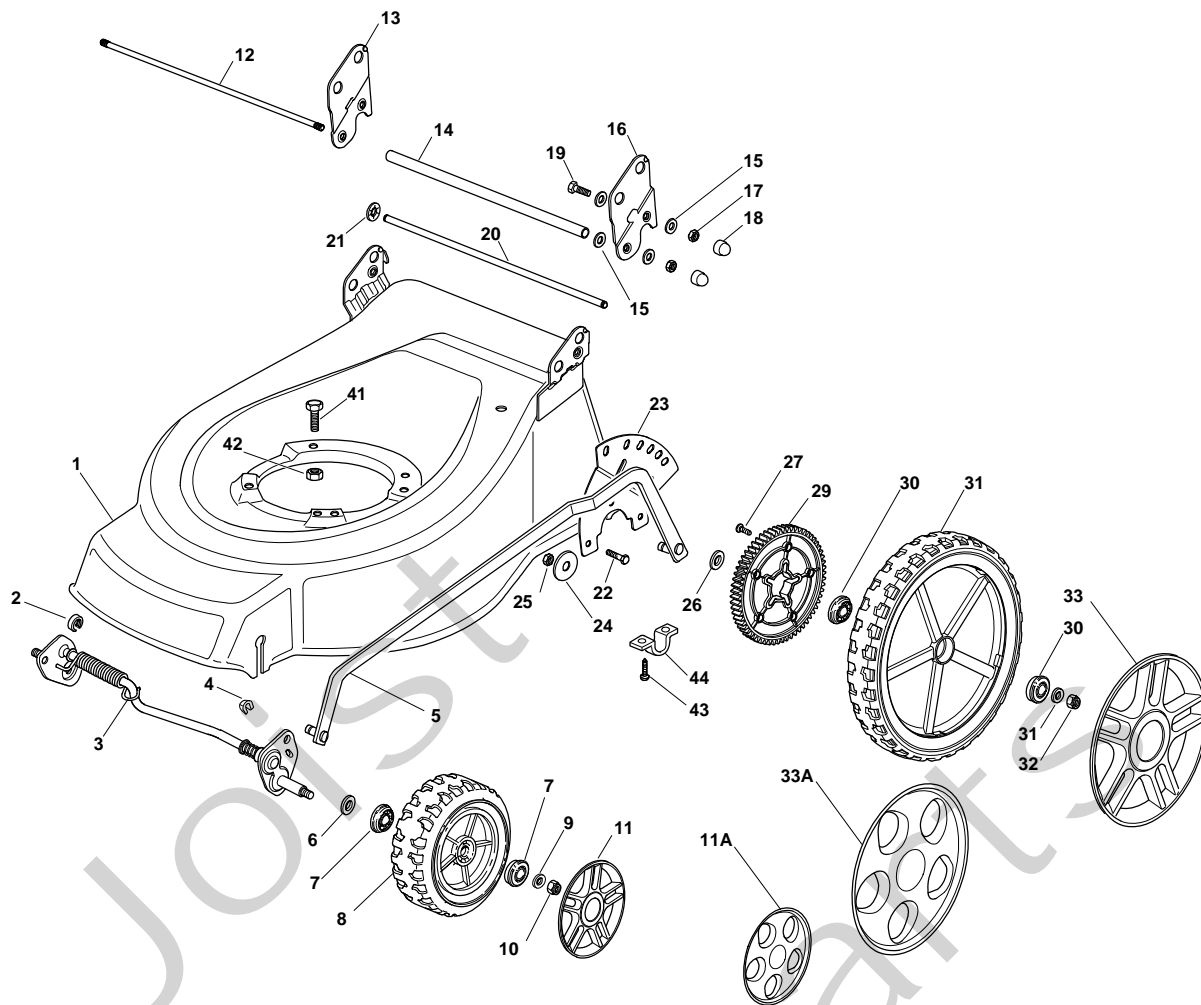
Genuine Spare Parts

**TURBO 48 S BW
PLUS B**

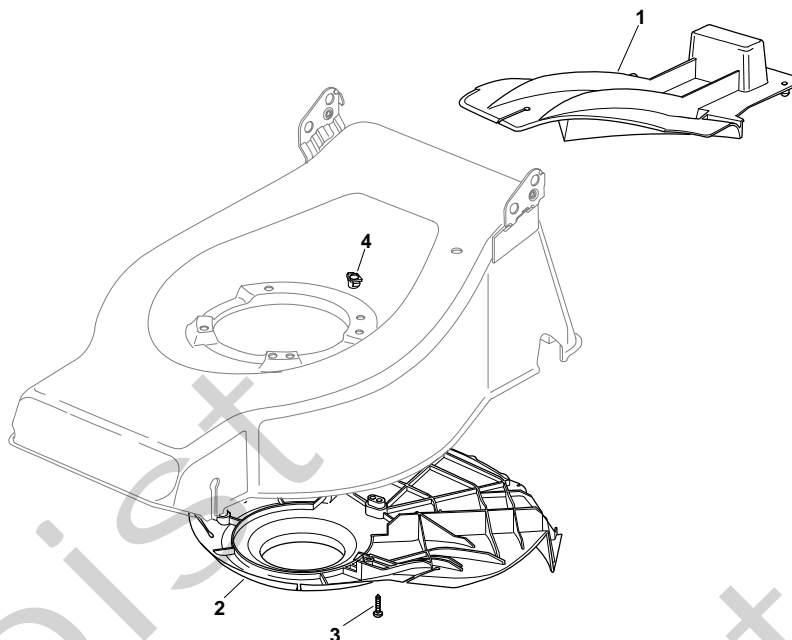


TURBO 48 S BW PLUS B - Model Year 2009


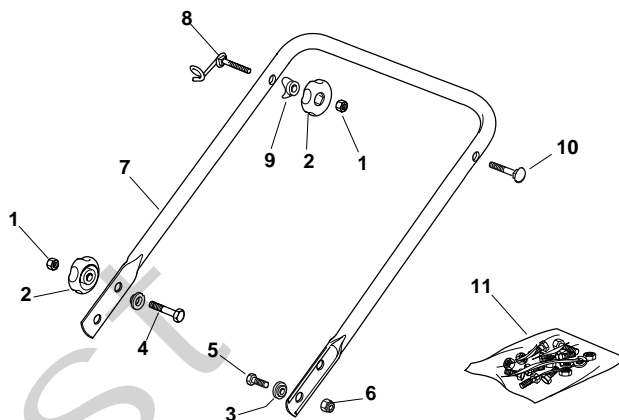
Pos. Fig.	Antal Quantity	Art No Part No	Benämning	Description	Anmärkning Notes
1	1	381002658/0	Chassi	Deck Yellow	
1	1	381002658/0	Chassi	Deck Yellow	484
2	2	22171002/0	Distans	Spacer	
3	1	381002861/0	Hjulaxel	Axle, Front Wheels	484
3	1	381002861/0	Hjulaxel	Axle, Front Wheels	
4	2	12436050/0	Låsplatta	Plate	
5	1	381001999/0	Höjdställn.stag	Rod, Height Adjustment	484
5	1	381001999/0	Höjdställn.stag	Rod, Height Adjustment	
6	2	12530150/0	Bricka	Washer	
7	4	22122200/0	Kullager	Bearing	
8	2	81007343/0	Hjul	Wheel	
9	2	12521350/0	Bricka	Washer	
10	2	12155000/0	Mutter	Nut	
11A	2	22110417/0	Navkapsel	Hub Cap	
11	2	22110492/0	Navkapsel	Hub Cap Grey	
12	1	22517702/1	Pivotstäng	Stone Guard Fulcrum	
13	1	22778427/0	Fäste-hö	Bracket, R	
14	1	22869717/0	Distansrör	Spacer	
15	8	22671653/0	Bricka	Washer	
16	1	22778429/0	Fäste-vä	Bracket, L	
17	4	12155000/0	Mutter	Nut	
18	4	18203854/0	Tätningshylsa	Protection	
19	2	12793301/0	Skruv	Screw	
20	1	22517860/0	Axel	Pin	
21	2	12604899/0	Låsbricka	Crown Fastener	
22	3	12792611/0	Skruv	Screw	
23	1	322735579/1	Höjdställn.sektor	Sector, Height Adjustment	
24	3	12523060/0	Bricka	Washer	
25	3	12155000/0	Mutter	Nut	
26	2	22675100/0	Bricka	Washer	
27	6	12728691/0	Skruv	Screw	

TURBO 48 S BW PLUS B - Model Year 2009


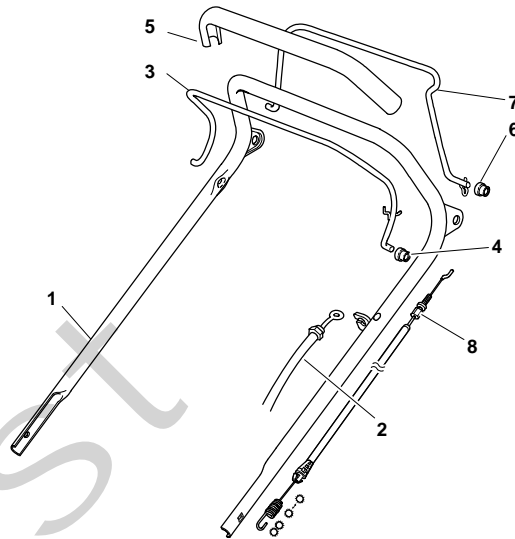
Pos. Fig.	Antal Quantity	Art No Part No	Benämning	Description	Anmärkning Notes
28	2	22120110/0	Drev	Sprocket	
29	4	22122200/0	Kullager	Bearing	
30	2	81007380/0	Hjul	Wheel	
31	4	12521350/0	Bricka	Washer	
32	2	12155000/0	Mutter	Nut	
33	2	322110560/0	Navkapsel-grå	Hub Cap, Grey D.300	
33A	2	322110590/0	Navkapsel	Hub Cap	
41	1	12691800/0	Skruv	Screw	
41	3	12793701/0	Skruv	Screw	
42	1	12155000/0	Mutter	Nut	
42	3	12293201/0	Mutter	Nut	
43	4	12731350/0	Skruv	Screw	
44	2	22545152/0	Bygel	Plate	



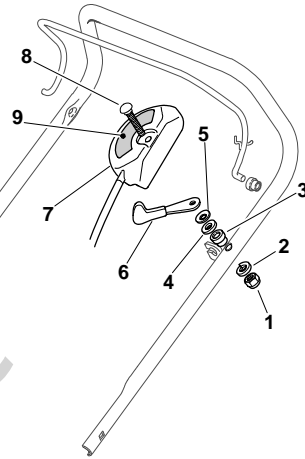
Pos. Fig.	Antal Quantity	Art No Part No	Benämning	Description	Anmärkning Notes
1	1	22140223/0	Mulchplugg	Deflector	484
1	1	22140223/0	Mulchplugg	Deflector	
2	1	22060199/0	Skydd	Protection	
2	1	22060199/0	Skydd	Protection	484
3	3	12728530/0	Skruv	Screw	
4	1	22291150/0	Gummihylsa	Rubber Insert	



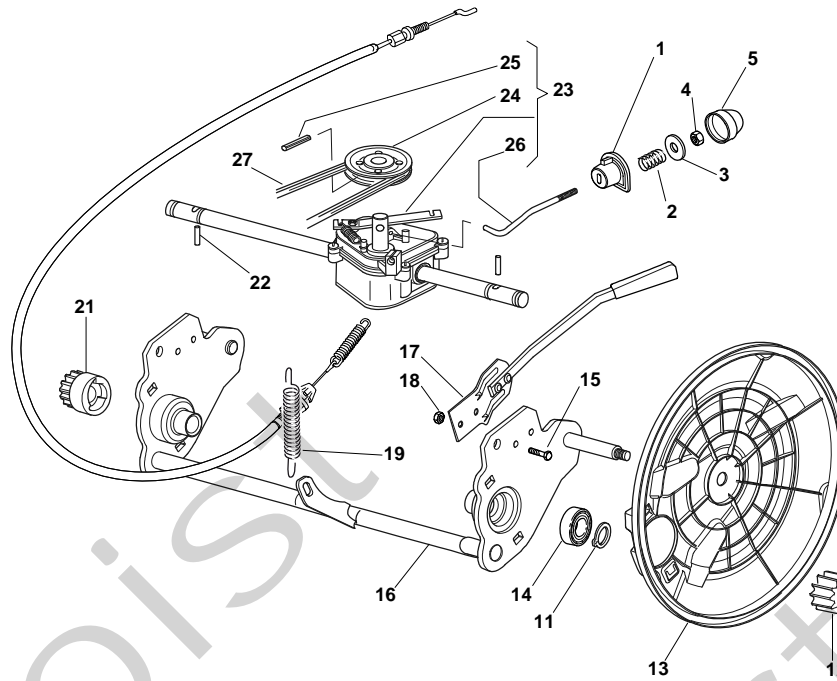
Pos. Fig.	Antal Quantity	Art No Part No	Benämning	Description	Anmärkning Notes
1	4	12293200/0	Mutter	Nut	
2	4	322399804/1	Knopp	Knob	
3	4	22041955/0	Bussning	Bush	
4	2	12793700/0	Skruv	Screw	
5	2	12792610/0	Skruv	Screw	
6	2	12155000/0	Mutter	Nut	
7	1	81006512/0	Styre-underdel	Handle, Lower Part	
7	1	81006521/0	Styre-underdel	Handle, Lower Part	
8	1	81003801/1	Snörhållare	Guide Spring	
9	2	22680006/1	Bricka	Washer	
10	1	12819201/0	Skruv	Screw	
11	1	81008614/3	Skruvsats	Outfit, Screws	



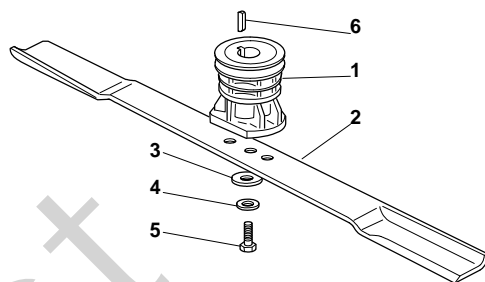
Pos. Fig.	Antal Quantity	Art No Part No	Benämning	Description	Anmärkning Notes
1	1	81007024/0	Styre-överdel	Handle, Upper Part	
2	1	81000616/1	Motorbromswire	Cable, Thread Engine Brake	
2	1	81000616/1	Motorbromswire	Cable, Thread Engine Brake	484 W TR (Ggp 140cc)
2	1	81000616/1	Motorbromswire	Cable, Thread Engine Brake	484 W TR (B&S 450-500 Series)
2	1	81000616/1	Motorbromswire	Cable, Thread Engine Brake	484 W TR (B&S 625-675 Series)
2	1	81000757/0	Motorbromswire	Cable, Thread Engine Brake	484 (B&S 625-675 Series)
2	1	81000757/0	Motorbromswire	Cable, Thread Engine Brake	
3	1	81003291/3	Reglagebygel	Lever, Engine Brake	
4	2	22041966/0	Bussning	Bush	
5	1	22291050/0	Handtag	Handgrip Black	
6	2	22041965/1	Bussning	Bush	
7	1	81003288/1	Reglagebygel	Lever, Driving	
8	1	81000668/1	Kopplingswire	Cable, Rear Drive	
8	1	81000668/1	Kopplingswire	Cable, Rear Drive	(General Transmission)
8	1	81000672/0	Kopplingswire	Cable, Rear Drive	
8	1	81000672/0	Kopplingswire	Cable, Rear Drive	(Bi Ci Di)



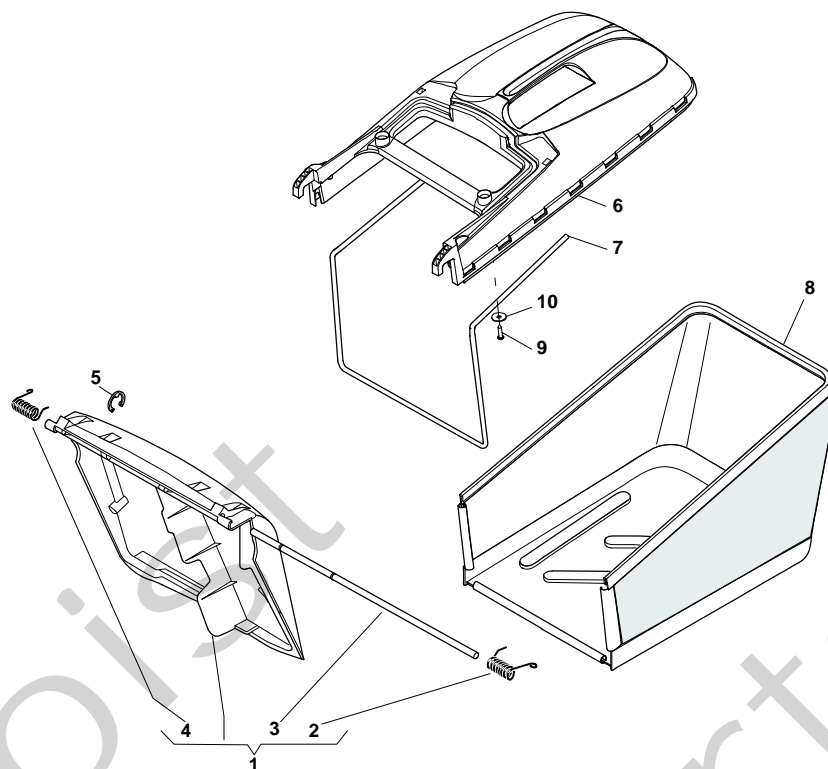
Pos. Fig.	Antal Quantity	Art No Part No	Benämning	Description	Anmärkning Notes
1	1	12291000/0	Mutter	Nut	
2	1	12581500/0	Låsbricka	Grower	
3	1	22171005/0	Distans	Spacer	
4	1	12521360/0	Bricka	Washer	
5	1	12508100/0	Låsbricka	Washer	
6	1	81007220/0	Gasarm	Lever, Throttle	(B&S 450-500 Series - Ggp 150 cc)
6	1	81007220/0	Gasarm	Lever, Throttle	
6	1	81007279/1	Gasarm	Lever, Throttle	
6	1	81007279/1	Gasarm	Lever, Throttle	(B&S 625-675-700 Series - Honda - Ggp 140-160-196 cc)
7	1	81007080/0	Gaswire	Cable, Throttle	
8	1	12815000/0	Skruv	Screw	
9	1	114356905/0	Dekal	Label	(B&S 700 series DOV)
9	1	114356905/0	Dekal	Label	
9	1	114356905/0	Dekal	Label	(Honda GCV 160-190 Autochoke)
9	1	114364264/0	Dekal	Label	AVS (GGP 160-196)
9	1	114364264/0	Dekal	Label	
9	1	14356702/0	Dekal	Label	(GGP)
9	1	14356702/0	Dekal	Label	(Honda)
9	1	14356702/0	Dekal	Label	
9	1	14356703/0	Dekal	Label	(B&S)
9	1	14356703/0	Dekal	Label	



Pos. Fig.	Antal Quantity	Art No Part No	Benämning	Description	Anmärkning Notes
1	1	22041957/1	Bussning	Bush	
2	1	22450063/0	Fjäder	Spring	
3	1	22680009/0	Bricka	Washer	
4	1	12154510/0	Mutter	Nut	
5	1	22110230/0	Lock	Cap	
11	4	12608600/0	Låsring	Snap Ring	
12	1	22570110/1	Drev	Pinion R	
13	2	22600160/0	Hjulskydd	Protection, Wheel	
14	2	19216035/0	Lager	Bearing	
15	2	12789000/0	Skruv	Screw	
16	1	381002853/2	Hjulaxel	Axle, Rear Wheels	
17	1	381003326/0	Höjdställn.spak	Lever, Height Adjustment	
18	2	12154330/0	Mutter	Nut	
19	1	122450454/0	Fjäder	Spring	
21	1	22570120/1	Drev	Pinion L	
22	2	22753000/0	Stift	Pin	
23	1	81003092/0	Transmission	Gear Box	(General Transmission)
23	1	81003092/0	Transmission	Gear Box	
24	1	22601904/0	Remskiva	Pulley	
25	1	12645705/0	Stift	Pin	
26	1	22033283/0	Justerstäng	Adjustment Rod	(General Transmission)
26	1	22033283/0	Justerstäng	Adjustment Rod	
27	1	35063800/0	Drivrem	Belt	
27	1	35063800/0	Drivrem	Belt	484
27	1	35063902/0	Drivrem	Belt	534



Pos. Fig.	Antal Quantity	Art No Part No	Benämning	Description	Anmärkning Notes
1	1	22465607/2	Knivfäste	Hub With Pulley	
2	1	81004346/3	Kniv	Blade Standard	
2	1	81004346/3	Kniv	Blade Standard	484
2	1	81004397/0	Kniv	Blade Winged	
2	1	81004397/0	Kniv	Blade Winged	484
3	1	22160400/0	Bricka	Elastic Washer	
4	1	12523080/0	Bricka	Washer	
5	1	12735698/0	Skruv	Screw	
6	1	12139100/0	Kil	Key	



Pos. Fig.	Antal Quantity	Art No Part No	Benämning	Description	Anmärkning Notes
1	1	381008021/1	Lucka	Stone-Guard	
2	1	22450420/1	Fjäder-vä	L Spring	
3	1	22517906/1	Axel	Pin	
4	1	22450410/1	Fjäder-hö	R Spring	
5	1	12000930/0	Låsring	Snap Ring	
6	1	22486101/0	Uppsamlare-överdel	Grass-Box, Upper	
7	1	22608525/0	Trådbygel	Stiffening Lower	
8	1	81002211/0	Uppsamlingsäck	Box, Fabric	
9	2	12728680/0	Skruv	Screw	
10	2	12523050/0	Bricka	Washer	