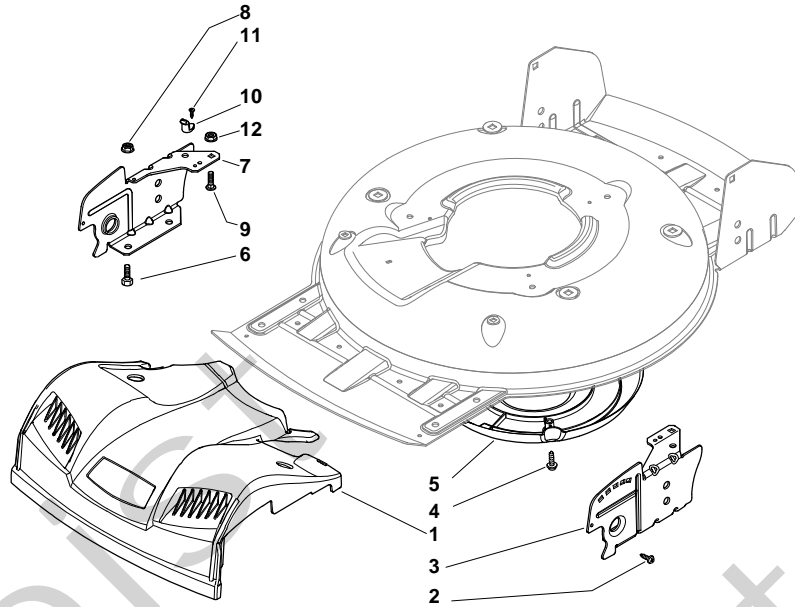


# **Genuine Spare Parts**

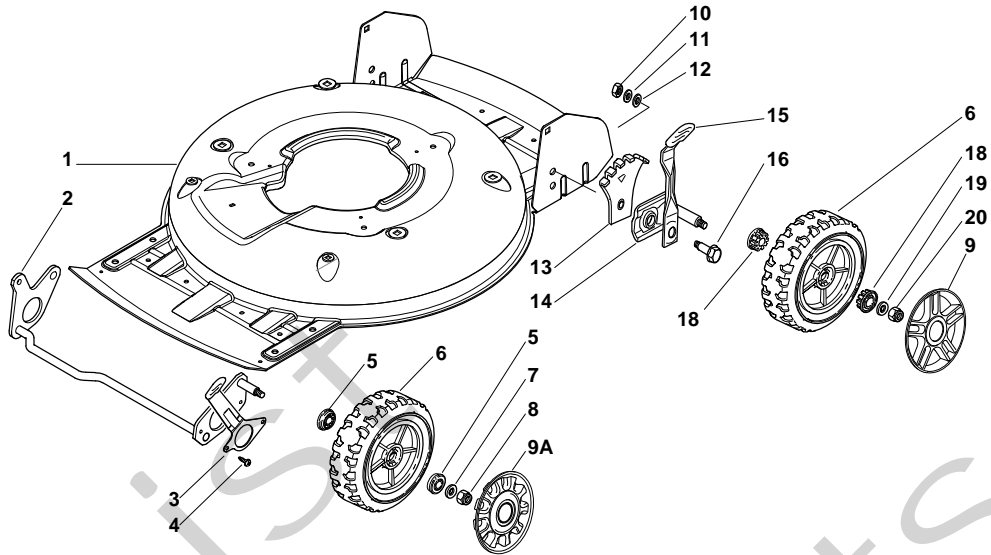
---

**MULTICLIP 50 S  
PLUS**

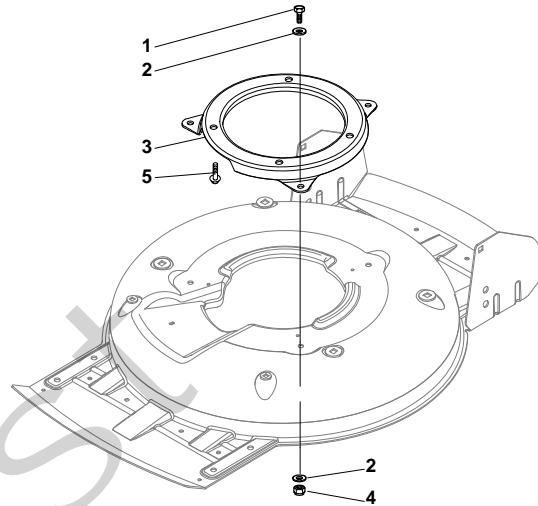




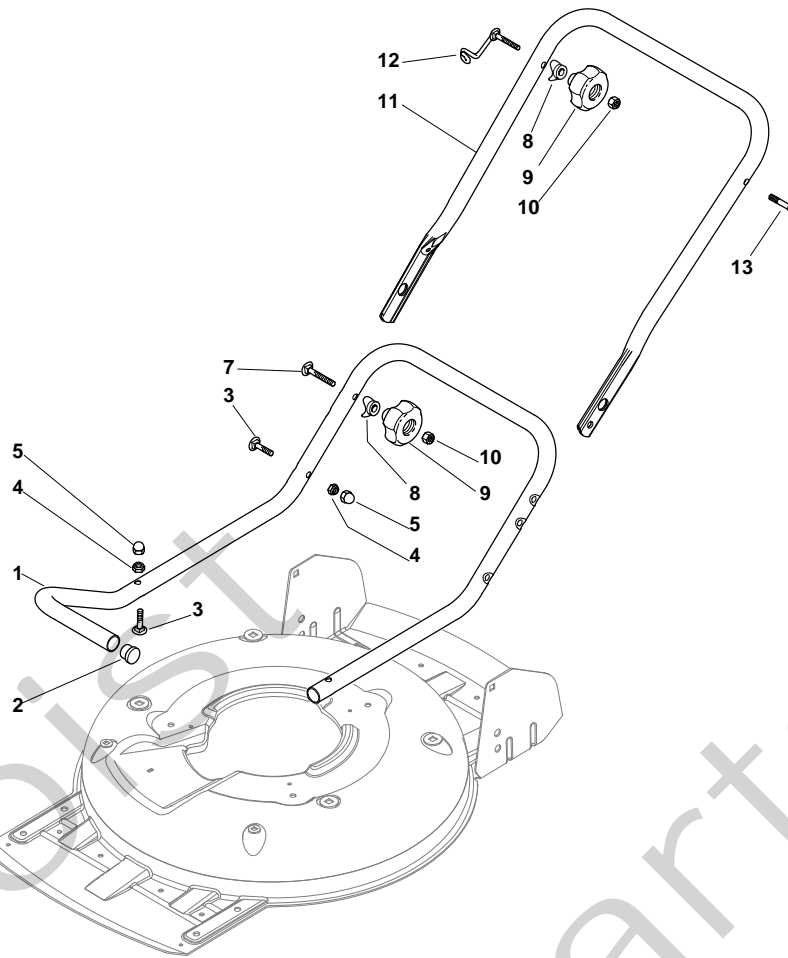
Pos. Fig.	Antal Quantity	Art No Part No	Benämning	Description	Anmärkning Notes
1	1	322226097/1	Frontkläpa-gul	Mask, Yellow	
1	1	322226098/1	Frontkläpa-grå	Mask, Grey	
2	2	12728523/0	Skruv	Screw	
3	1	22778421/0	Fäste-vä	Bracket, L	
4	3	12728530/0	Skruv	Screw	
5	1	22060220/0	Skydd	Protection	
6	4	12792611/0	Skruv	Screw	
7	1	22778419/0	Fäste-hö	Bracket, R	
8	4	12293201/0	Mutter	Nut	
9	2	12815200/0	Skruv	Screw	
10	2	22020400/0	Hållare	Fairlead	
11	2	12728523/0	Skruv	Screw	
12	2	12292102/0	Mutter	Nut	

**MULTICLIP 50 S PLUS - Model Year 2009**


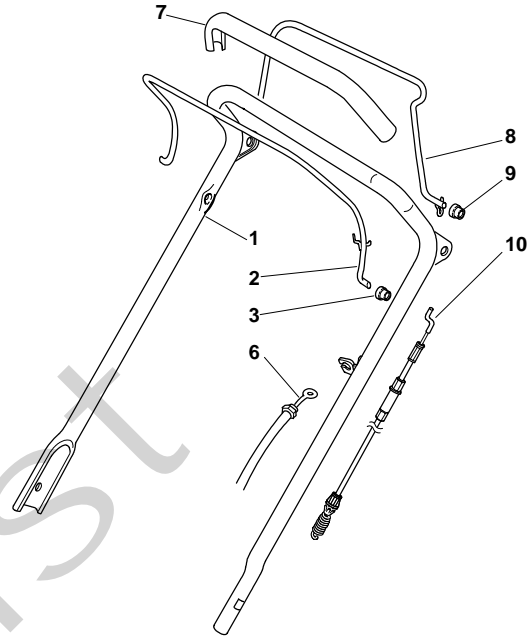
Pos. Fig.	Antal Quantity	Art No Part No	Benämning	Description	Anmärkning Notes
1	1	81002907/1	Chassi	Deck Yellow	
2	1	81002849/0	Hjulaxel	Axle, Front Wheels	
3	1	81003276/0	Höjdinställn.spak	Lever, Height Adjustment	
4	2	12735661/0	Skruv	Screw	
5	4	22034508/0	Bussning	Bush	
5	4	22122200/0	Kullager	Bearing	
6	4	81007343/0	Hjul	Wheel	
7	2	12369500/0	Bricka	Washer	
8	2	12155000/0	Mutter	Nut	
9	4	22110492/0	Navkapsel	Hub Cap Grey	
9A	4	322110594/0	Navkapsel	Hub Cap	
10	2	12293200/0	Mutter	Nut	
11	2	12583500/0	Låsbricka	Grower	
12	2	12523070/0	Bricka	Washer	
13	2	22735547/0	Höjdinställ.sektor	Sector, Height Adjustment	
14	2	81005082/0	Hjulfäste	Support, Wheel	
15	2	81003286/0	Höjdinställ.spak	Lever, Height Adjustment	
16	2	22519811/0	Bult	Pin	
18	4	22034508/0	Bussning	Bush	
19	2	12523060/0	Bricka	Washer	
20	2	12155000/0	Mutter	Nut	



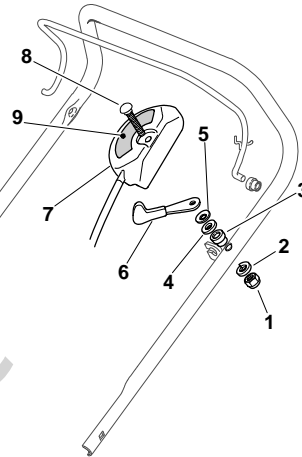
Pos. Fig.	Antal Quantity	Art No Part No	Benämning	Description	Anmärkning Notes
1	3	12792611/0	Skruv	Screw	
2	6	12523060/0	Bricka	Washer	
3	1	322207219/1	Fläns	Flange	
4	3	12293201/0	Mutter	Nut	
5	3	112735108/1	Skruv	Screw	



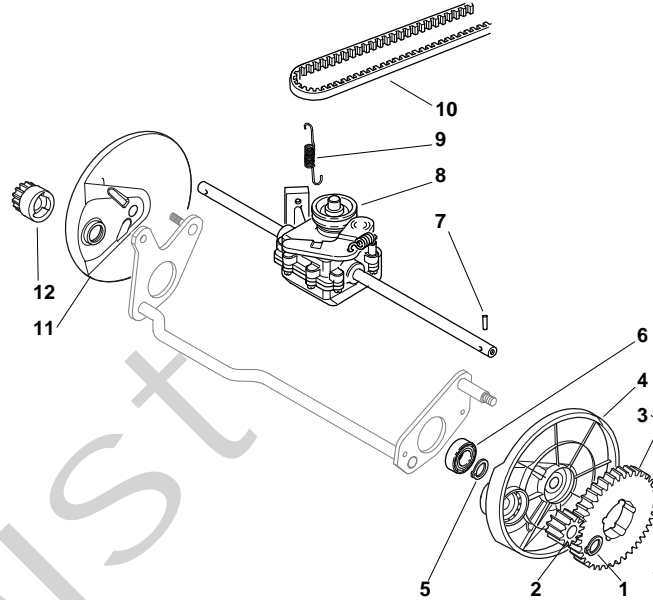
Pos. Fig.	Antal Quantity	Art No Part No	Benämning	Description	Anmärkning Notes
1	1	81006667/0	Styre-underdel	Handle, Lower Part	
2	2	18566110/0	Plugg	Cap	
3	4	12818900/0	Skruv	Screw	
4	4	12155000/0	Mutter	Nut	
5	4	18203854/0	Tätningshylsa	Protection	
6	4	12818900/0	Skruv	Screw	
7	2	12819201/0	Skruv	Screw	
8	4	22680006/1	Bricka	Washer	
9	4	322399804/1	Knopp	Knob	
10	4	12293200/0	Mutter	Nut	
11	1	81006668/0	Styre-mellandel	Handle, Middle Part	
12	1	81003801/1	Snörhillare	Guide Spring	
13	1	12819201/0	Skruv	Screw	



Pos. Fig.	Antal Quantity	Art No Part No	Benämning	Description	Anmärkning Notes
1	1	81007024/0	Styre-överdel	Handle, Upper Part	
2	1	81003291/3	Reglagebygel	Lever, Engine Brake	
3	2	22041966/0	Bussning	Bush	
6	1	81000631/0	Motorbromswire	Cable, Thread Motor Brake	(B&S 450-500 Series)
6	1	81000631/0	Motorbromswire	Cable, Thread Motor Brake	
6	1	81000634/0	Motorbromswire	Cable, Thread Engine Brake	(Ggp 140cc)
6	1	81000634/0	Motorbromswire	Cable, Thread Engine Brake	
6	1	81000634/0	Motorbromswire	Cable, Thread Engine Brake	(Ggp 160cc)
6	1	81000642/1	Motorbromswire	Cable, Thread Engine Brake	
6	1	81000642/1	Motorbromswire	Cable, Thread Engine Brake	(B&S 625-675 Series)
7	1	22291050/0	Handtag	Handgrip Black	
8	1	81003288/1	Reglagebygel	Lever, Driving	
9	2	22041965/1	Bussning	Bush	
10	1	81000734/1	Kopplingswire	Cable, Rear Drive	

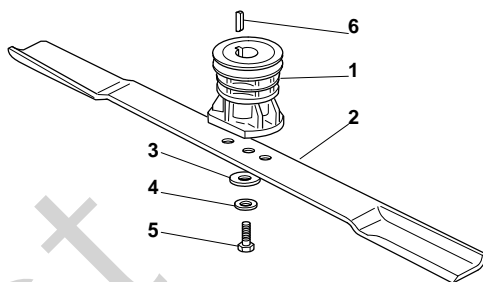


Pos. Fig.	Antal Quantity	Art No Part No	Benämning	Description	Anmärkning Notes
1	1	12291000/0	Mutter	Nut	
2	1	12581500/0	Låsbricka	Grower	
3	1	22171005/0	Distans	Spacer	
4	1	12521360/0	Bricka	Washer	
5	1	12508100/0	Låsbricka	Washer	
6	1	81007220/0	Gasarm	Lever, Throttle	(B&S 450-500 Series - Ggp 150 cc)
6	1	81007220/0	Gasarm	Lever, Throttle	(B&S 625-675-700 Series - Honda - Ggp 140-160-196 cc)
6	1	81007279/1	Gasarm	Lever, Throttle	
6	1	81007279/1	Gasarm	Lever, Throttle	
7	1	81007080/0	Gaswire	Cable, Throttle	
8	1	12815000/0	Skruv	Screw	
9	1	114356905/0	Dekal	Label	(B&S 700 series DOV)
9	1	114356905/0	Dekal	Label	
9	1	114356905/0	Dekal	Label	(Honda GCV 160-190 Autochoke)
9	1	114364264/0	Dekal	Label	AVS (GGP 160-196)
9	1	114364264/0	Dekal	Label	
9	1	14356702/0	Dekal	Label	(GGP)
9	1	14356702/0	Dekal	Label	(Honda)
9	1	14356702/0	Dekal	Label	
9	1	14356703/0	Dekal	Label	(B&S)
9	1	14356703/0	Dekal	Label	



Pos. Fig.	Antal Quantity	Art No Part No	Benämning	Description	Anmärkning Notes
1	2	12608600/0	Låsring	Snap Ring	
2	1	22570120/1	Drev	Pinion L	
3	2	22120105/1	Ringdrev	Ring Gear	
4	1	22600092/0	Hjulskydd	Protection, R Wheel	
5	2	12608600/0	Låsring	Snap Ring	
6	2	19216035/0	Lager	Bearing	
7	2	22753000/0	Stift	Pin	
8	1	81003095/0	Transmission	Gear Box	
9	1	22450437/0	Fjäder	Spring	
10	1	35063902/0	Drivrem	Belt	
11	1	22600093/0	Hjulskydd	Protection, L Wheel	
12	1	22570110/1	Drev	Pinion R	





Pos. Fig.	Antal Quantity	Art No Part No	Benämning	Description	Anmärkning Notes
1	1	22465607/2	Knivfäste	Hub With Pulley	
2	1	81004146/0	Kniv	Blade Winged	
2	1	81004366/2	Kniv	Blade Standard	
3	1	22160400/0	Bricka	Elastic Washer	
4	1	12523080/0	Bricka	Washer	
5	1	12735698/0	Skruv	Screw	
6	1	12139100/0	Kil	Key	