

# Genuine Spare Parts

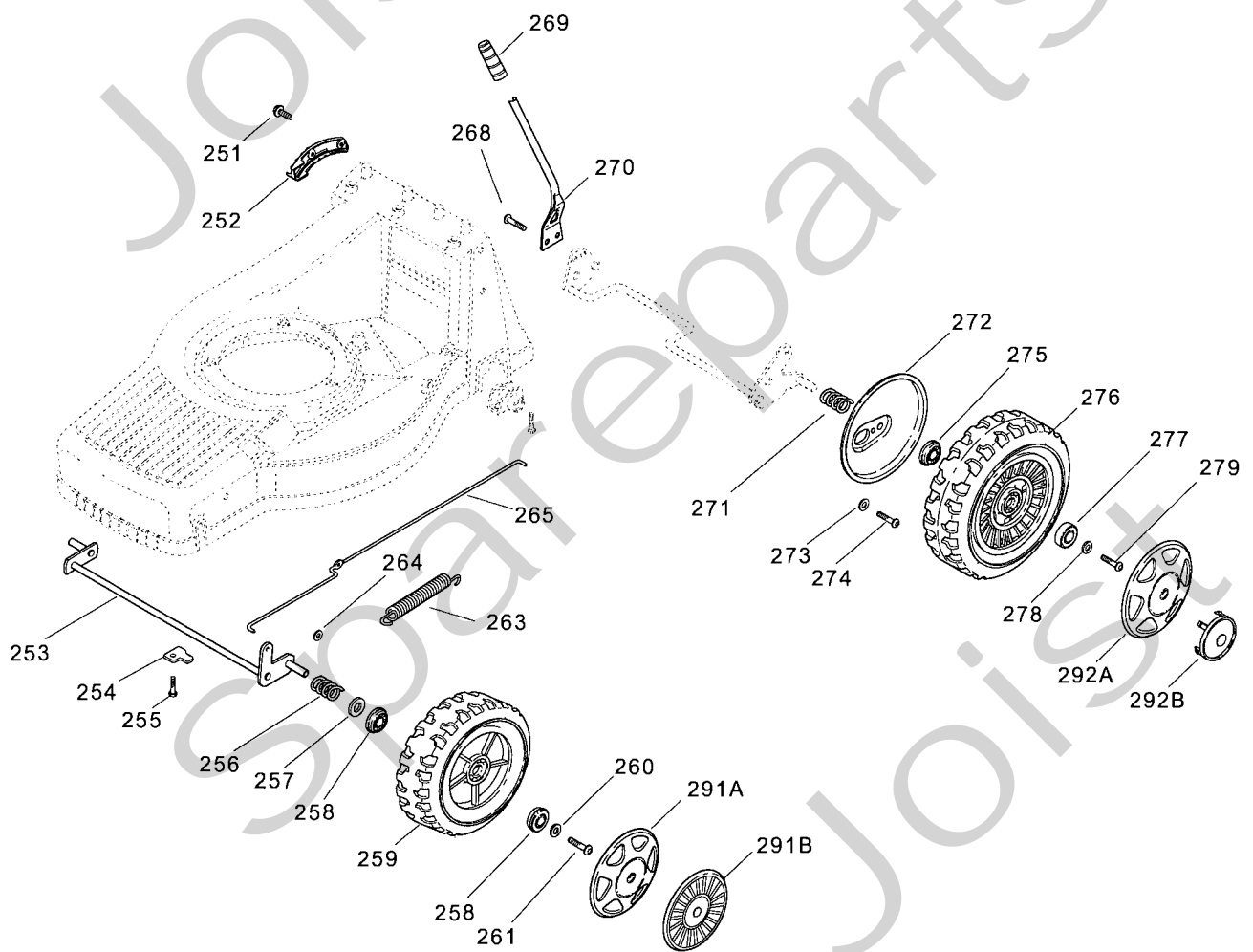
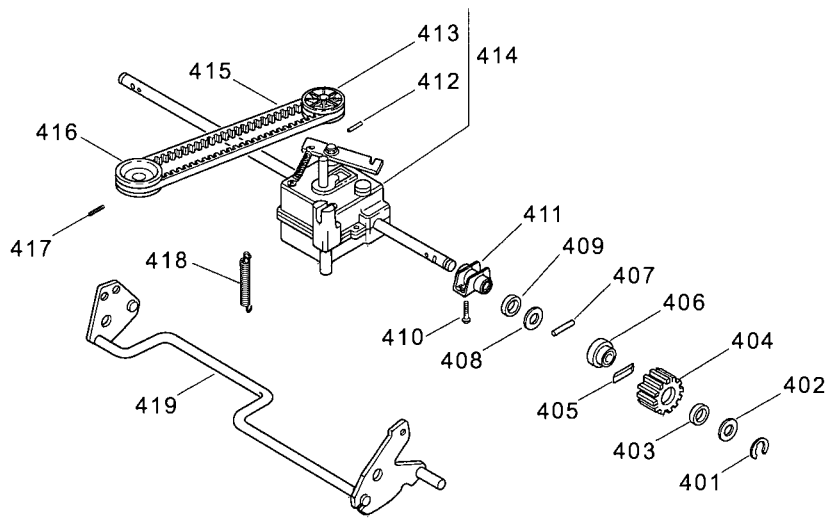
---



Joist  
Spareparts  
Joist



Utgåva Issue		Bildnr Picture No		TURBO 55S COMBI TURBO 55SE COMBI CHASSI STYRE		TURBO 55S COMBI TURBO 55SE COMBI CHASSIS HANDLE		Sida Page
2006-12		1943A						176
Pos. Fig.	Antal/Quantity			Art nr Part No	Benämning	Description	Sats Kit	Anmärkning Notes
	9230 -21	9498 -81	9204 -61 -81					
1	1	1	1	1111-3598-01	Chassi-gul.....	Chassis- yellow .....		
2	3	3	3	9955-3732-12	Skruv.....	Screw.....		
3	1	1	1	1111-3597-01	Täckåpa-gul.....	Cover-yellow .....		
4	3	3	3	9838-9522-12	Skruv.....	Screw.....		
5	1	1	1	1111-2793-01	Luckinfästning-gul.....	Flap attachm.- yellow .....		
6	3	3	3	9947-0616-16	Skruv.....	Screw.....		
7	1	1	1	1111-2792-01	Fjäder.....	Spring.....		
8	1	1	1	1111-3283-01	Lucka-gul.....	Flap-yellow .....		
9	1	1	1	1111-3024-01	Fästplatta.....	Attachment plate.....		
10	2	2	2	1111-3021-01	Styrinfästning.....	Handlebar attachment.....		
11	2	2	2	9699-0028-02	Planbricka.....	Flat washer.....		
12	2	2	2	9939-0820-16	Skruv.....	Screw.....		
13	2	2	2	9899-3557-12	Skruv.....	Screw.....		
14	4	4	4	9699-0028-02	Planbricka.....	Flat washer.....		
15	4	4	4	1111-3023-01	Låsraff.....	Locking knob.....		
16	4	4	4	9795-3531-02	Mutter.....	Nut.....		
17	1	1	1	1111-3428-01	Styre-underdel (sv).....	Handle- lower (black).....		
18	1	1	1	9838-9522-12	Skruv.....	Screw.....		
19	1	1	1	1111-3335-01	Bakstam.....	Rear attachment.....		
20	3	3	3	9947-0616-16	Skruv.....	Screw.....		
21	1	1	1	1136-2044-01	Hållare, vä+hö.....	Attachment, LH+RH.....		
22	4	4	4	9836-9520-12	Skruv.....	Screw.....		
24	1	1	1	1111-2927-01	Batterihållare.....	Battery holder.....		
25	2	2	2	9899-3557-12	Skruv.....	Screw.....		
26	1	1	1	1111-3062-01	Ögla.....	Eyelink.....		
27	2	2	2	1111-0178-00	Förstärkning.....	Reinforcement.....		
28	1	1	1	9948-0640-16	Skruv.....	Screw.....		L = 40 mm
28			1	9948-0670-16	Skruv.....	Screw.....		L = 70 mm
29	1	1	1	1111-2969-01	Wirefäste.....	Cable attachment.....		
30	1	1	1	1111-3388-01	Kopplingswire.....	Clutch cable.....		
31	1	1	1	1111-2968-07	Motorbromswire.....	Engine brake cable.....		
33	1	1	1	9747-0631-02	Låsmutter.....	Lock nut.....		
34	1	1	1	1111-3461-01	Styre-överdel (svart).....	Handle-upper (black).....		
35	1	1	1	1111-2953-01	Manöverbygel.....	Control handle.....		
36	1	1	1	1111-2954-01	Manöverbygel.....	Control handle.....		
38	1	1	1	1111-2018-01	Kabelhållare.....	Cable holder.....		
39	1	1	1	9836-9216-12	Skruv.....	Screw.....		
40	1	1	1	1111-3569-01	Tillbehörspåse.....	Accessory bag.....		
41	1	1	1	1111-3095-01	Täckbricka-gul.....	Cap-yellow.....		
42	1	1	1	9675-0012-02	Starlock.....	Locking washer.....		
45	1	1	1	1111-3333-02	Mulcherplugg.....	Mulch plug.....		
151	1			1136-0604-01	Mutter.....	Nut.....		
152	1			1136-0611-01	Låsbricka.....	Grower.....		
153	1			1136-0659-01	Distans.....	Spacer.....		
154	1			9699-0035-02	Planbricka.....	Flat washer.....		
155	1			1136-0606-01	Fjäderbricka.....	Spring washer.....		
156	1			1136-0766-01	Gasreglagearm.....	Throttle lever.....		
157	1			1136-0764-01	Gasreglagekabel.....	Throttle cable.....		
158	1			1136-0618-01	Skruv.....	Screw.....		
159	1			1136-2431-01	Dekal.....	Label.....		
160			1	1111-3351-01	Gasreglage.....	Throttle control.....		
501	1	1	1	1111-9070-01	Knivfäste.....	Blade holder.....		
502	1	1	1	1111-9091-01	Kniv.....	Blade.....		
503	1	1	1	9696-0011-01	Bricka.....	Washer.....		
504	1	1	1	9987-5251-12	Skruv.....	Screw.....		
505	1	1	1	9600-0014-00	Kil.....	Key.....		
551	1	1	1	1111-2840-01	Uppsamlarlock-gul.....	Top collector-yellow.....		
552	1	1	1	1111-2764-01	• Täckbricka.....	• Cover.....		
561	2	2	2	9699-0100-02	Bricka.....	Washer.....		
562	2	2	2	9838-9522-12	Skruv.....	Screw.....		
563	1	1	1	1111-2843-01	Trådbygel.....	Wire clamp.....		
564	1	1	1	1111-2844-01	Uppsamlingsäck-svart.....	Collecting bag-black.....		



Utgåva Issue		Bildnr Picture No				TURBO 55S COMBI TURBO 55SE COMBI TRANSMISSION HJULUPPHÄNGNING		TURBO 55S COMBI TURBO 55SE COMBI TRANSMISSION WHEEL SUSPENSION		Sida Page
2006- 12		1944A								178
Pos. Fig.	Antal/Quantity				Art nr Part No	Benämning	Description	Sats Kit	Anmärkning Notes	
	9230 -21	9498 -81	9204 -61	9204 -81						
X 251	2	2	2	2	9838-9522-12	Skruv .....	Screw .....			
252	1	1	1	1	1111-2798-01	Höjdinst. segment .....	Height adj. quadrant .....			
253	1	1	1	1	1136-2441-01	Framaxel .....	Front axle .....			
254	2	2	2	2	1111-1504-01	Överfall .....	Retainer .....			
255	2	2	2	2	9947-0616-16	Skruv .....	Screw .....			
256	2	2	2	2	1111-1138-01	Fjäder .....	Spring .....			
257	2	2	2	2	9699-0037-02	Bricka .....	Washer .....			
258	4	4	4	4	1136-0655-01	Kullager .....	Ball bearing .....			
259	2	2	2	2	1136-1520-01	Hjul .....	Wheel .....			
260	2	2	2	2	9699-0100-02	Bricka .....	Washer .....			
261	2	2	2	2	9943-0612-16	Skruv .....	Screw .....			
263	1	1	1	1	1111-2819-01	Fjäder .....	Spring .....			
264	2	2	2	2	9675-0011-00	Starlock .....	Starlock .....			
265	1	1	1	1	1111-3031-01	Dragstång .....	Height adj. rod .....			
268	2	2	2	2	9943-0610-16	Skruv .....	Screw .....			
269	1	1	1	1	1111-2817-01	Handtag .....	Lever knob .....			
270	1	1	1	1	1111-2816-01	Spak .....	Height adj. lever .....			
271	2	2	2	2	1111-3060-01	Fjäder .....	Spring .....			
272	2	2	2	2	1111-3395-01	Täckplåt .....	Cover plate .....			
273	2	2	2	2	9699-0060-02	Planbricka .....	Flat washer .....			
274	2	2	2	2	9943-0610-16	Skruv .....	Screw .....			
275	1	1	1	1	1111-3296-01	• Kullager .....	• Ball bearing .....			
276	2	2	2	2	1111-3026-01	Hjul m. kullager .....	Wheel w. ball bearings .....		Inkl. pos 275, 277	
277	1	1	1	1	9549-0001-00	• Kullager .....	• Ball bearing .....			
278	2	2	2	2	9699-0100-02	Bricka .....	Washer .....			
279	2	2	2	2	9943-0612-16	Skruv .....	Screw .....			
291 A		2		2	1136-1894-01	Navkapsel- gul .....	Hub cap- yellow .....			
291 B	2		2		1136-1508-01	Navkapsel- grå .....	Hub cap- grey .....			
292 A		2		2	1111-3086-01	Navkapsel- gul .....	Hub cap- yellow .....			
292 B	2		2		1111-3444-01	Navkapsel- silver .....	Hub cap- silver .....			
401	2	2	2	2	9652-0010-04	Låsring .....	Snap ring .....			
402	2	2	2	2	9695-0013-00	Bricka .....	Washer .....			
403	2	2	2	2	1111-2830-01	Stödbricka .....	Support washer .....			
404	2	2	2	2	1111-3075-01	Kugghjul- plasthjul .....	Pinion- plastic wheel .....			
405	2	2	2	2	1111-3256-01	Drivkil .....	Drive key .....			
406	2	2	2	2	1111-2829-01	Låsbricka .....	Lock washer .....			
407	2	2	2	2	1111-2382-01	Cyl. pinne .....	Pin .....			
408	2	2	2	2	9695-0013-00	Bricka .....	Washer .....			
409	2	2	2	2	9404-0083-00	Tätningring .....	Seal ring .....			
410	4	4	4	4	9947-0616-16	Skruv .....	Screw .....			
411	2	2	2	2	1111-2814-01	Bussning .....	Bushing .....			
412	1	1	1	1	9595-0235-00	• Spännstift .....	• Locating pin .....			
413	1	1	1	1	1111-3440-01	• Remskiva .....	• Belt pulley .....			
414	1	1	1	1	1111-3401-02	Transmission kpl .....	Transmission assy .....		Inkl. pos 412 - 413	
415	1	1	1	1	9585-0137-01	Drivrem .....	Drive belt .....			
416	1	1	1	1	1111-2915-01	Motorremskiva .....	Engine belt pulley .....			
417	1	1	1	1	9910-0612-16	Stoppskruv .....	Set screw .....			
418	1	1	1	1	1111-2822-01	Dragfjäder .....	Tension spring .....			
419	1	1	1	1	1111-2808-01	Bakaxel .....	Rear axle .....			