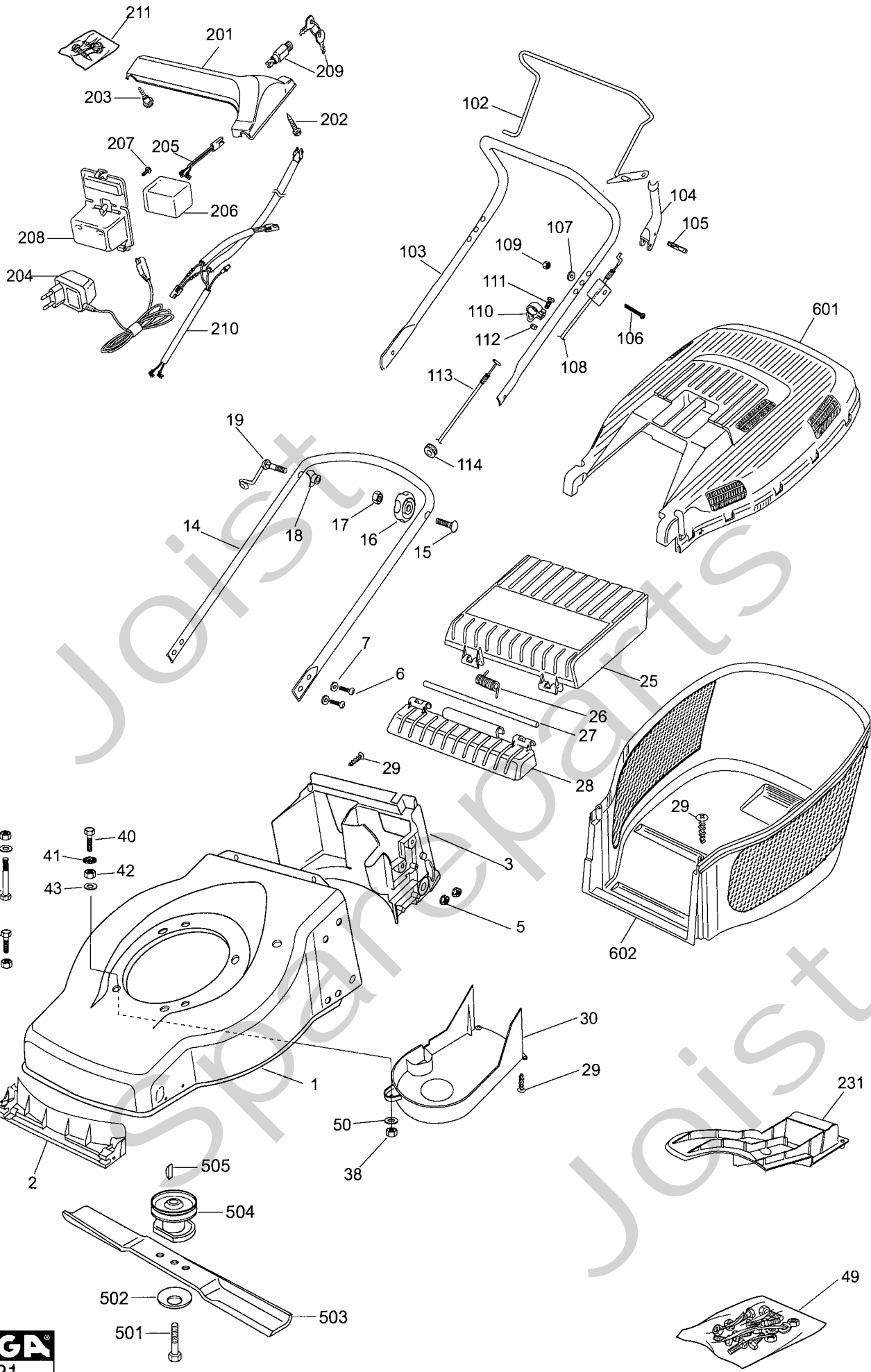


# Genuine Spare Parts

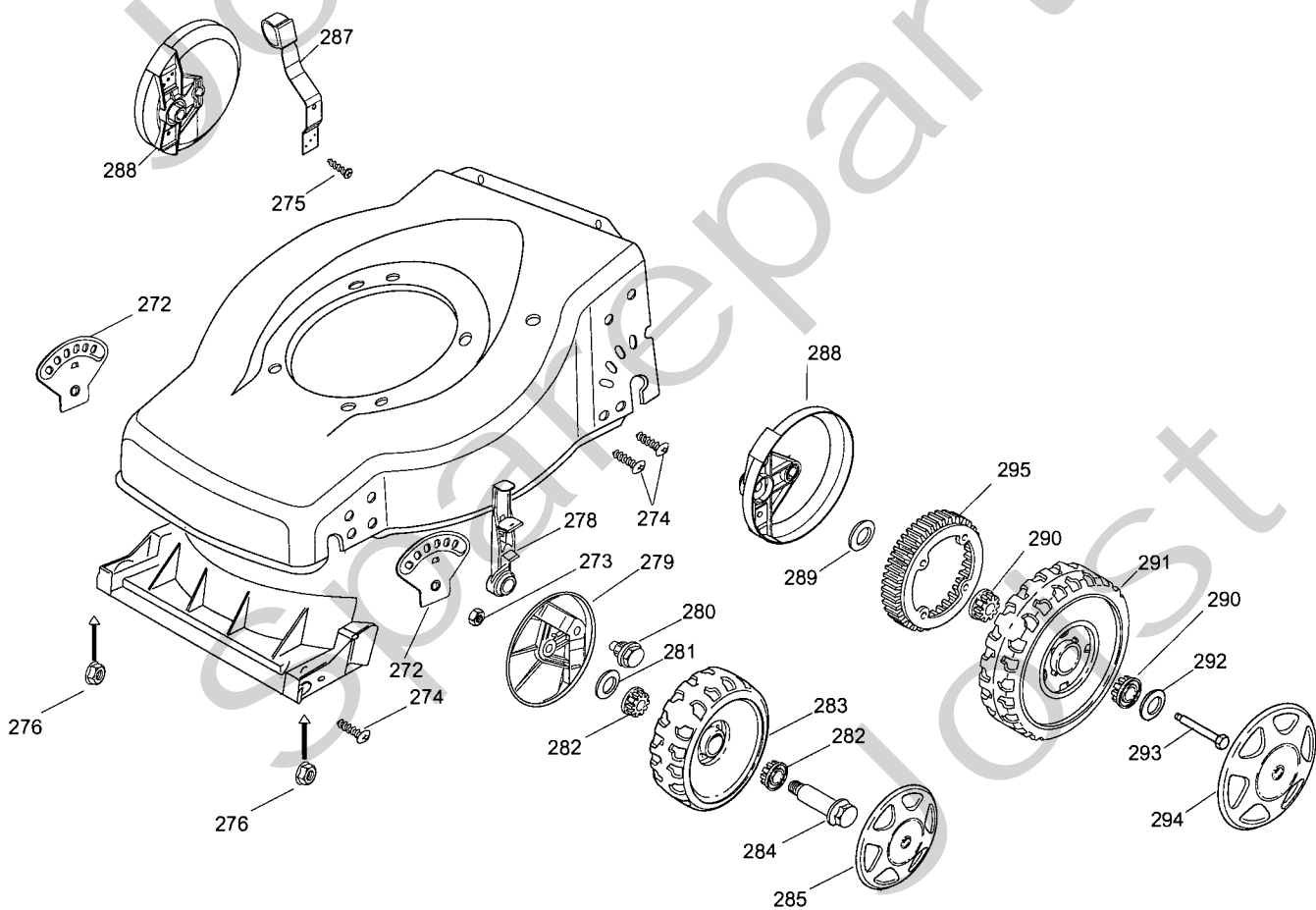
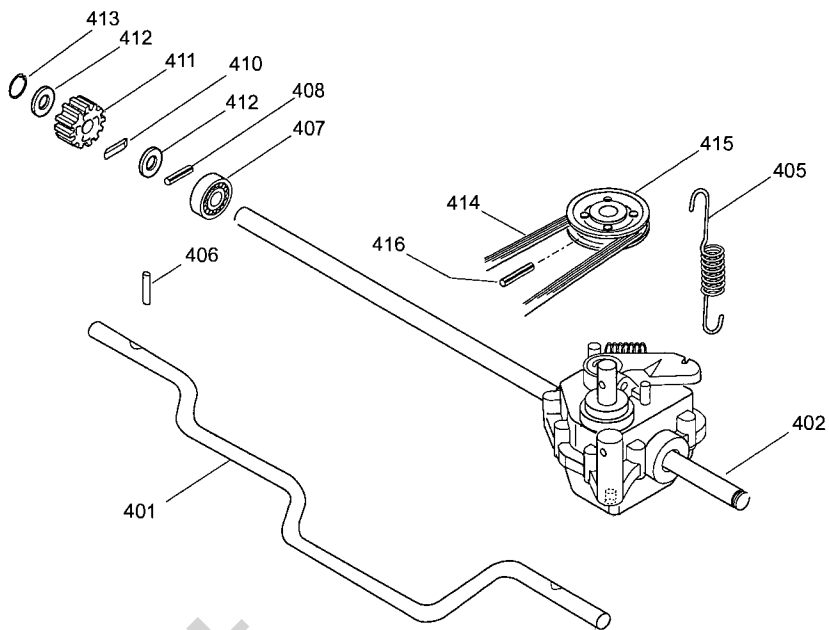
---



Joist  
Spareparts  
Joist



Utgåva Issue		Bildnr Picture No		COLLECTOR 46SE CHASSI STYRE		COLLECTOR 46SE CHASSIS HANDLE		Sida Page	
2006- 12		1921						92	
Pos. Fig.	Antal/Quantity			Art nr Part No	Benämning	Description	Sats Kit	Anmärkning Notes	
	4398 -22								
X 1	1			1136-2411-01	Chassi- gul.....	Chassis- yellow .....			
2	1			1117-3007-01	Ledplåt- främre .....	Baffle- front .....			
3	1			1117-3008-01	Ledplåt- bakre.....	Baffle- rear .....			
5	4			1117-1131-01	Flänsmutter .....	Nut .....			
6	4			1117-1364-01	Skruv .....	Screw .....			
7	4			9699-0028-02	Planbricka.....	Flat washer.....			
14	1			1136-1411-01	Styre- underdel .....	Handlebar- lower part.....			
15	1			1136-0620-01	Skruv .....	Screw .....			
16	2			1117-3194-01	Låsratt .....	Locking knob .....			
17	2			9799-0831-02	Mutter.....	Nut .....			
18	2			1136-0693-01	Bricka .....	Washer.....			
19	1			1136-0747-01	Skruv m. ögla .....	Screw w. loop .....			
25	1			1117-1156-01	Lucka- gul.....	Rear flap- yellow .....			
26	1			1117-1126-01	Fjäder.....	Spring- rear flap .....			
27	1			1117-1143-01	Axel .....	Shaft .....			
28	1			1117-1155-01	Luckinfästning- gul.....	Flap holder- yellow .....			
29	6			9836-9516-12	Skruv .....	Screw .....			
30	1			1117-1147-01	Transmissionskåpa.....	Transmission cap.....			
36	2			9997-0830-16	Skruv .....	Screw .....			
37	1			9739-0831-22	Mutter.....	Nut .....			
38	2			9747-0831-02	Mutter.....	Lock nut.....			
39	1			9699-0028-02	Planbricka.....	Flat washer.....			
40	1			1136-1886-01	Skruv .....	Screw .....			
41	1			9678-0009-02	Låsbricka .....	Lock washer.....			
42	1			9799-0831-02	Mutter.....	Nut .....			
43	1			9699-0062-02	Planbricka.....	Flat washer.....			
49	1			1136-1415-01	Mont.sats .....	Assy kit .....			
50	1			1136-0309-01	Bricka .....	Washer.....			
102	1			1136-1409-01	Manöverbygel.....	Control lever .....			
103	1			1136-1414-01	Styre- överdel .....	Handlebar- upper part .....			
104	1			1117-3221-01	Manöverbygel.....	OPC lever .....			
105	1			9595-0258-00	Spännstift .....	Locating pin .....			
106	1			9997-0635-12	Skruv .....	Screw .....			
107	1			9699-0025-02	Planbricka.....	Washer.....			
108	1			1136-1512-01	Motorbromswire.....	Engine brake cable .....			
109	1			9799-0631-02	Mutter.....	Nut .....			
110	1			1117-1114-01	Wirehållare .....	Support .....			
111	1			9865-0616-16	Skruv .....	Screw .....			
112	1			9799-0631-02	Mutter.....	Nut .....			
113	1			1136-1407-01	Kopplingswire.....	Clutch cable .....			
114	1			1136-1399-01	Kabelhylsa .....	Cable protector .....			
201	1			1136-1336-01	Panel .....	Dashboard .....			
202	1			9847-8038-16	Skruv .....	Screw .....			
203	1			1136-0708-01	Skruv .....	Screw .....			
204	1			1136-1321-01	Batteriladdare .....	Charger .....			
205	1			1136-1401-01	Batterikabel.....	Battery cable .....			
206	1			1136-1398-01	Batteri.....	Battery .....			
207	1			9836-9216-12	Skruv .....	Screw .....			
208	1			1111-3339-01	Batteribox .....	Battery holder .....			
209	1			1136-0627-01	Tändningslås .....	Switch .....			
210	1			1136-0625-01	Startkabel .....	Start cable .....			
211	1			1136-1887-01	Skruvsats- panel .....	Screw set- dashboard .....			
231	1			1117-3001-01	Mulcherplugg .....	Mulch plug .....			
501	1			9987-5251-12	Skruv .....	Screw .....			
502	1			1117-1065-01	Tallriksbricka.....	Spring washer .....			
503	1			1111-9116-01	Kniv .....	Blade .....			
504	1			1111-9074-01	Knivfäste.....	Blade holder .....			
505	1			9600-0014-00	Kil .....	Key .....			
601	1			1117-1157-01	Uppsamlarlock- gul.....	Grassbag cover- yellow.....			
602	1			1117-1218-01	Uppsamlare- underdel .....	Lower grass bag .....			



Utgåva Issue 2006- 12		Bildnr Picture No 1919A		COLLECTOR 46SE TRANSMISSION HJULUPPHÄNGNING		COLLECTOR 46SE TRANSMISSION WHEEL SUSPENSION		Sida Page 94	
Pos. Fig.	Antal/Quantity			Art nr Part No	Benämning	Description	Sats Kit	Anmärkning Notes	
	4398 -22								
	272	2		1117-1213-01	Hålplåt .....	Sector .....			
	273	2		9747-0831-02	Mutter .....	Lock nut .....			
	274	6		9836-9516-12	Skruv .....	Screw .....			
	275	2		9836-9512-12	Skruv .....	Screw .....			
	276	2		1117-1131-01	Flänsmutter .....	Nut .....			
	278	2		1117-1228-01	Inställningsspak .....	Adjusting lever .....			
	279	2		1117-1376-01	Hjulsköld .....	Wheel lever .....			
	280	2		1117-1182-01	Ansatsbult .....	Shoulder bolt .....			
	281	2		1136-0309-01	Bricka .....	Washer .....			
	282	4		1136-0634-01	Bussning .....	Bush .....			
X	283	2		1136-2014-01	Hjul .....	Wheel .....			
X	284	2		1136-2041-01	Hjulsbult .....	Wheel axle bolt .....			
	285	2		1136-1894-01	Navkapsel- gul .....	Hub cap- yellow .....			
	287	1		1117-1174-01	Höjdinställningsspak .....	Height adjust lever .....			
	288	2		1117-3256-01	Hjulsköld .....	Wheel protection cap .....			
X	289	2		1136-2040-01	Distans .....	Spacer .....			
	290	4		1136-0634-01	Bussning .....	Bush .....			
X	291	2		1136-2037-01	Hjul .....	Wheel .....			
	292	2		9699-0085-02	Planbricka .....	Flat washer .....			
	293	2		1136-1397-01	Skruv .....	Screw .....			
	294	2		1136-0646-01	Navkapsel- gul .....	Hub cap- yellow .....			
X	295	2		1136-2035-01	Kuggkrans .....	Sprocket .....			
X	401	1		1136-2261-01	Bakaxel .....	Rear axle .....			
	402	1		1136-1408-01	Transmission kpl .....	Transmission assy .....			
	405	1		1117-1120-01	Fjäder .....	Spring .....			
	406	2		9595-0212-00	Spännstift .....	Locating pin .....			
	407	2		1136-0655-01	Kullager .....	Ball bearing .....			
	408	2		9591-0011-00	Stift .....	Pin .....			
	410	2		1111-3256-01	Drivkil .....	Drive key .....			
	411	2		1111-3075-01	Kuggjul- plasthjul .....	Pinion- plastic wheel .....			
	412	4		1111-2830-01	Stödbricka .....	Support washer .....			
	413	2		1117-1083-01	Låsring .....	Safety ring .....			
	414	1		1111-9114-01	Drivrem .....	Drive belt .....			
	415	1		1117-3018-01	Remskiva .....	Pulley .....			
	416	1		1136-0612-01	Stift .....	Pin .....			