

# Genuine Spare Parts

---

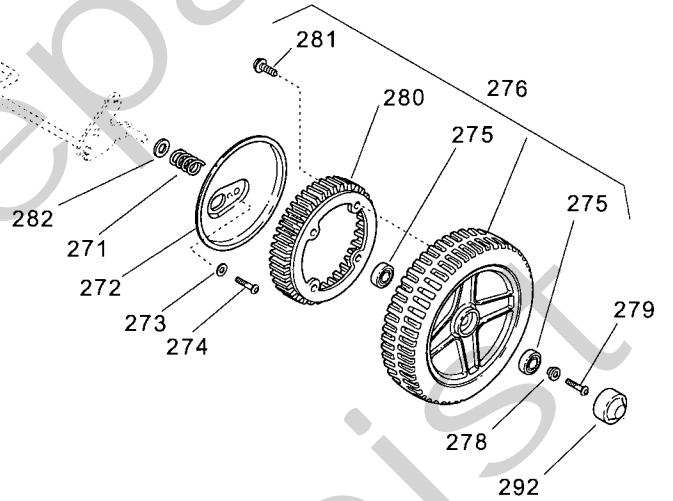
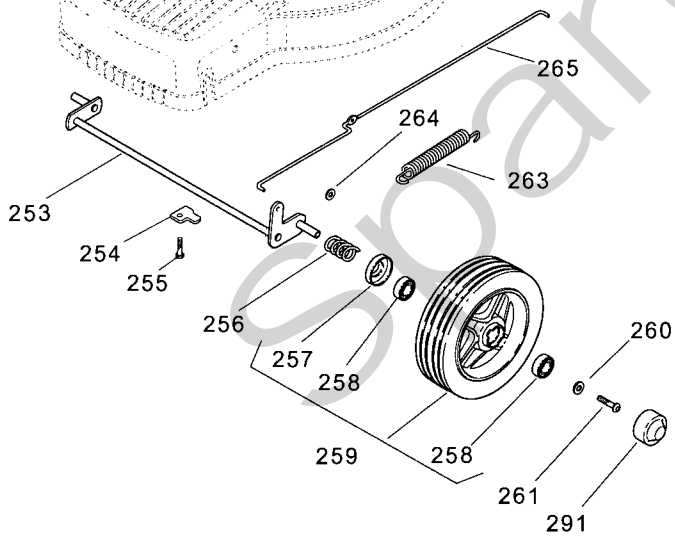
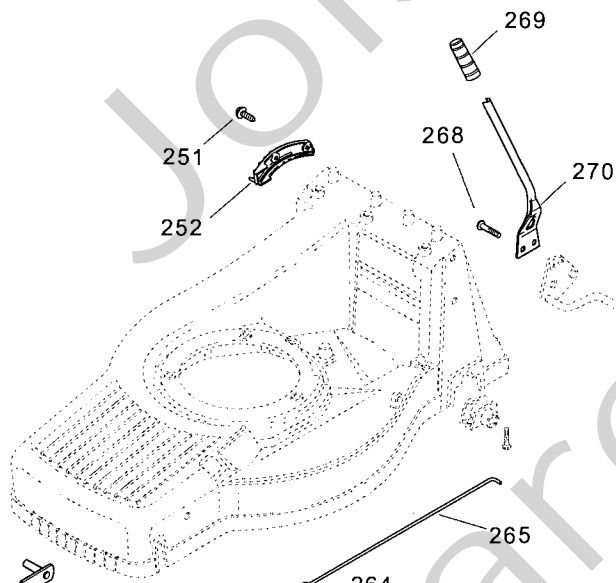
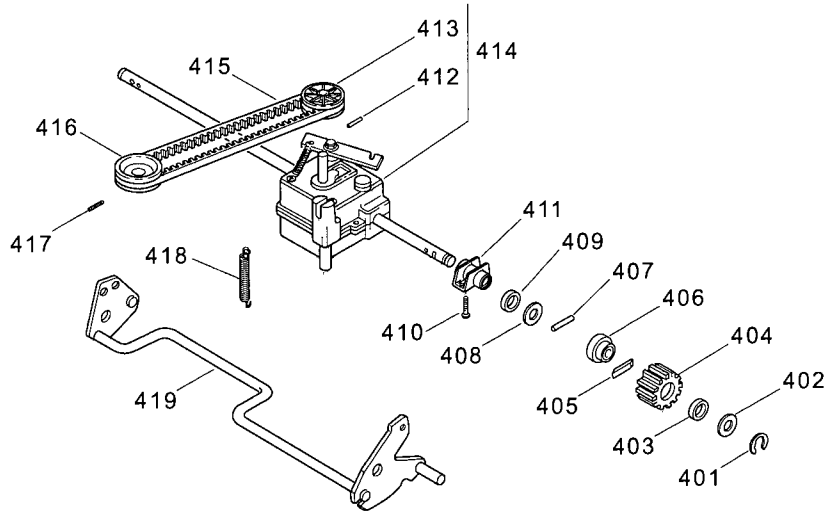


Joist  
Spareparts  
Joist



Utgåva Issue 2006-12		Bildnr Picture No 1946A		TURBO PRO 55S COMBI CHASSI STYRE		TURBO PRO 55S COMBI CHASSIS HANDLE		Sida Page 190	
Pos. Fig.	Antal/Quantity			Art nr Part No	Benämning	Description	Sats Kit	Anmärkning Notes	
	9296								
	-51								
1	1			1111-3598-12	Chassi-grå.....	Chassis- grey .....			
2	3			9955-3732-12	Skruv .....	Screw .....			
3	1			1111-3597-01	Täckkäpa- gul.....	Cover- yellow .....			
4	3			9838-9522-12	Skruv .....	Screw .....			
5	1			1111-2793-01	Luckinfästning- gul .....	Flap attachm.- yellow .....			
6	3			9947-0616-16	Skruv .....	Screw .....			
7	1			1111-2792-01	Fjäder.....	Spring .....			
8	1			1111-3283-01	Lucka- gul.....	Flap- yellow .....			
9	1			1111-3024-01	Fästplatta .....	Attachment plate .....			
10	2			1111-3021-01	Styrinfästning .....	Handlebar attachment.....			
11	2			9699-0028-02	Planbricka.....	Flat washer.....			
12	2			9939-0820-16	Skruv .....	Screw .....			
13	2			9899-3557-12	Skruv .....	Screw .....			
14	4			9699-0028-02	Planbricka.....	Flat washer.....			
15	4			1111-3023-01	Låsraff .....	Locking knob .....			
16	4			9795-3531-02	Mutter.....	Nut.....			
17	1			1111-3428-02	Styre- underdel (gul).....	Handle- lower (yellow) .....			
18	1			9838-9522-12	Skruv .....	Screw .....			
19	1			1111-3335-01	Bakstam.....	Rear attachment.....			
20	3			9947-0616-16	Skruv .....	Screw .....			
21	1			1136-2044-01	Hållare, vä+hö.....	Attachment, LH+RH .....			
22	4			9836-9520-12	Skruv .....	Screw .....			
24	1			1111-2927-01	Batterihållare .....	Battery holder .....			
25	2			9899-3557-12	Skruv .....	Screw .....			
26	1			1111-3062-01	Ögla .....	Eyelink .....			
27	2			1111-0178-00	Förstärkning .....	Reinforcement.....			
28	1			9948-0640-16	Skruv .....	Screw .....			
29	1			1111-2969-01	Wirefäste .....	Cable attachment .....			
30	1			1111-3388-01	Kopplingswire.....	Clutch cable .....			
31	1			1111-3633-01	Motorbromswire.....	Engine brake cable.....			
33	1			9747-0631-02	Låsmutter .....	Lock nut.....			
34	1			1111-3461-02	Styre- överdel (gul).....	Handle- upper (yellow) .....			
35	1			1111-3617-01	Manöverbygel.....	Control handle.....			
36	1			1111-2954-01	Manöverbygel.....	Control handle.....			
37	2			9652-0006-04	Spårryttare .....	Circlip.....			
38	1			1111-2018-01	Kabelhållare .....	Cable holder .....			
39	1			9836-9216-12	Skruv .....	Screw .....			
40	1			1111-3569-01	Tillbehörspåse .....	Accessory bag.....			
41	1			1111-3095-01	Täckbricka- gul .....	Cap- yellow.....			
42	1			9675-0012-02	Starlock .....	Locking washer.....			
45	1			1111-3333-02	Mulcherplugg .....	Mulch plug.....			
531	1			1111-9127-01	Knivfäste.....	Blade holder.....			
532	1			1111-9130-01	Kniv .....	Blade.....			
533	2			1111-3512-01	Friktionsbricka .....	Friction washer .....			
534	1			1111-3481-01	Bricka .....	Washer.....			
535	1			1111-3482-01	Tallriksfjäder .....	Disc washer .....			
536	1			1111-3483-01	Bussning .....	Bushing.....			
537	1			9987-5264-12	Skruv .....	Screw .....			
538	1			9600-0014-00	Kil .....	Key.....			
551	1			1111-2840-01	Uppsamlarlock- gul.....	Top collector- yellow .....			
552	1			1111-2764-01	• Täckbricka .....	• Cover.....			
561	2			9699-0100-02	Bricka .....	Washer.....			
562	2			9838-9522-12	Skruv .....	Screw .....			
563	1			1111-2843-01	Trådbygel.....	Wire clamp.....			
564	1			1111-2844-01	Uppsamlingsäck- svart.....	Collecting bag- black.....			

X



Utgåva Issue		Bildnr Picture No		TURBO PRO 55S COMBI TRANSMISSION HJULUPPHÄNGNING		TURBO PRO 55S COMBI TRANSMISSION WHEEL SUSPENSION		Sida Page	
2006-12		1937						192	
Pos. Fig.	Antal/Quantity			Art nr Part No	Benämning	Description	Sats Kit	Anmärkning Notes	
	9296 -51								
251	2			9838-9522-12	Skruv .....	Screw .....			
252	1			1111-2798-01	Höjdinst. segment .....	Height adj. quadrant .....			
253	1			1111-3491-02	Framaxel .....	Front axle .....			
254	2			1111-1504-01	Överfall .....	Retainer .....			
255	2			9947-0616-16	Skruv .....	Screw .....			
256	2			1111-1138-01	Fjäder .....	Spring .....			
257	1			1111-0466-00	• Kullagertätning .....	• Seal grease .....			
258	2			9549-0015-00	• Kullager .....	• Ball bearing .....			
259	2			1111-1508-01	Hjul m.lager .....	Wheel w.bearings .....		Inkl. pos 257 - 258	
260	2			9699-0100-02	Bricka .....	Washer .....			
261	2			9943-0612-16	Skruv .....	Screw .....			
263	1			1111-2819-01	Fjäder .....	Spring .....			
264	2			9675-0011-00	Starlock .....	Starlock .....			
265	1			1111-3031-02	Dragstång .....	Height adj. rod .....			
268	2			9943-0610-16	Skruv .....	Screw .....			
269	1			1111-2817-01	Handtag .....	Lever knob .....			
270	1			1111-2816-01	Spak .....	Height adj.lever .....			
271	2			1111-3060-01	Fjäder .....	Spring .....			
272	2			1111-3229-01	Täckplåt .....	Cover plate .....			
273	2			9699-0060-02	Planbricka .....	Flat washer .....			
274	2			9943-0610-16	Skruv .....	Screw .....			
275	2			9549-0001-00	• Kullager .....	• Ball bearing .....			
276	2			1111-2262-01	Hjul kpl .....	Wheel assy .....		Inkl. pos 275,280,281	
278	2			1111-3555-01	Distans .....	Spacer .....			
279	2			1136-1314-01	Skruv .....	Screw .....			
280	1			1111-2109-01	• Kuggkrans .....	• Gear ring .....			
281	4			9841-0410-16	• Skruv .....	• Screw .....			
282	2			1111-3627-01	Distans .....	Spacer .....			
291	2			1111-1506-01	Navkapsel .....	Hub cap .....			
292	2			1111-2077-01	Navkapsel .....	Hub cap .....			
401	2			9652-0010-04	Låsring .....	Snap ring .....			
402	2			9695-0013-00	Bricka .....	Washer .....			
403	2			1111-2830-01	Stödbricka .....	Support washer .....			
404	2			1111-3230-01	Kugghjul- alum. hjul .....	Pinion- alum. wheel .....			
405	2			1111-3256-01	Drivkil .....	Drive key .....			
406	2			1111-2829-01	Låsbricka .....	Lock washer .....			
407	2			1111-2382-01	Cyl.pinne .....	Pin .....			
408	2			9695-0013-00	Bricka .....	Washer .....			
409	2			9404-0083-00	Tättningsring .....	Seal ring .....			
410	4			9947-0616-16	Skruv .....	Screw .....			
411	2			1111-2814-01	Bussning .....	Bushing .....			
412	1			9595-0235-00	• Spännstift .....	• Locating pin .....			
413	1			1111-3440-01	• Remskiva .....	• Belt pulley .....			
414	1			1111-3401-02	Transmission kpl .....	Transmission assy .....		Inkl. pos 412 - 413	
415	1			9585-0137-01	Drivrem .....	Drive belt .....			
416	1			1111-2915-01	Motorremskiva .....	Engine belt pulley .....			
417	1			9910-0612-16	Stoppskruv .....	Set screw .....			
418	1			1111-2822-01	Dragfjäder .....	Tension spring .....			
419	1			1111-2808-01	Bakaxel .....	Rear axle .....			