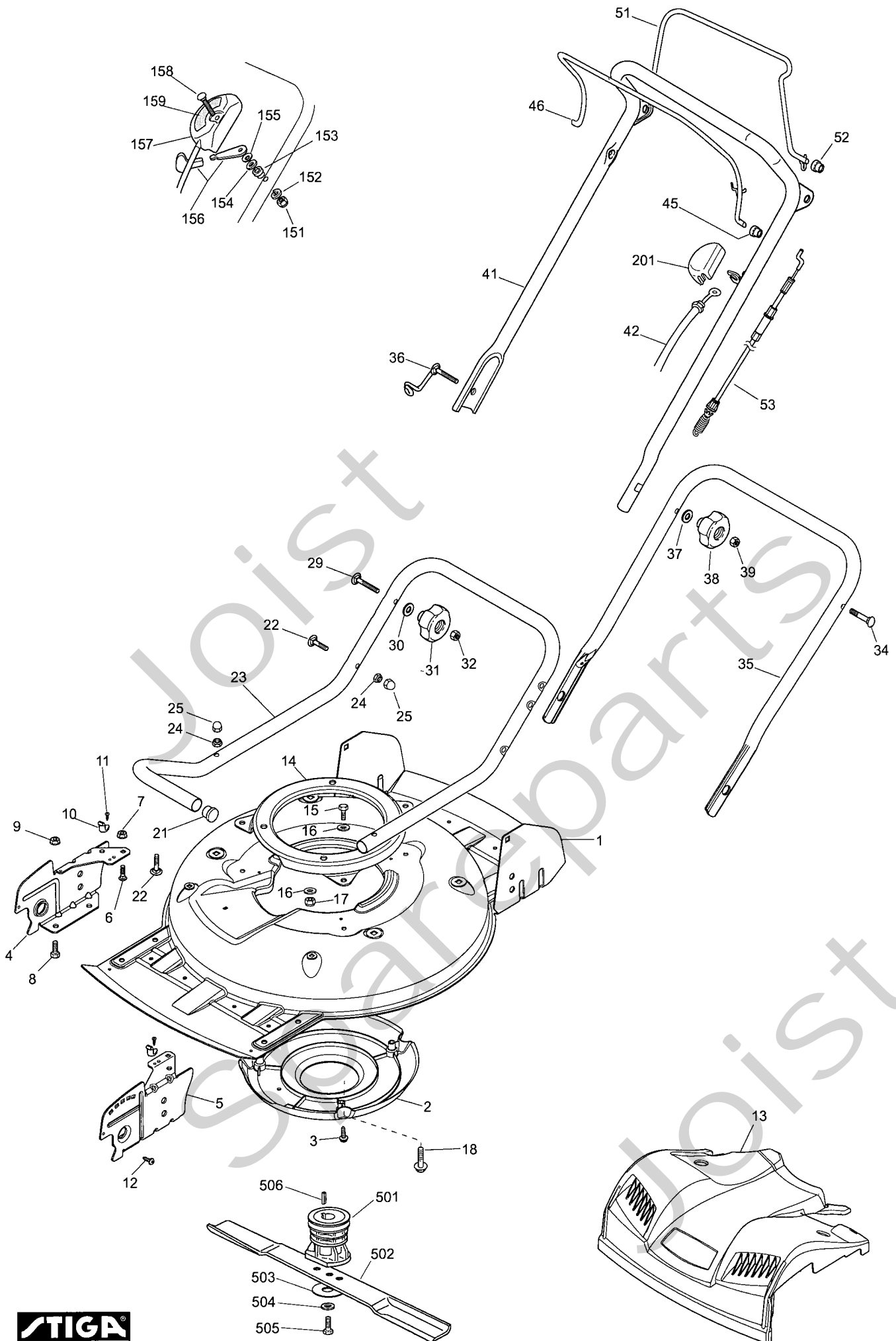


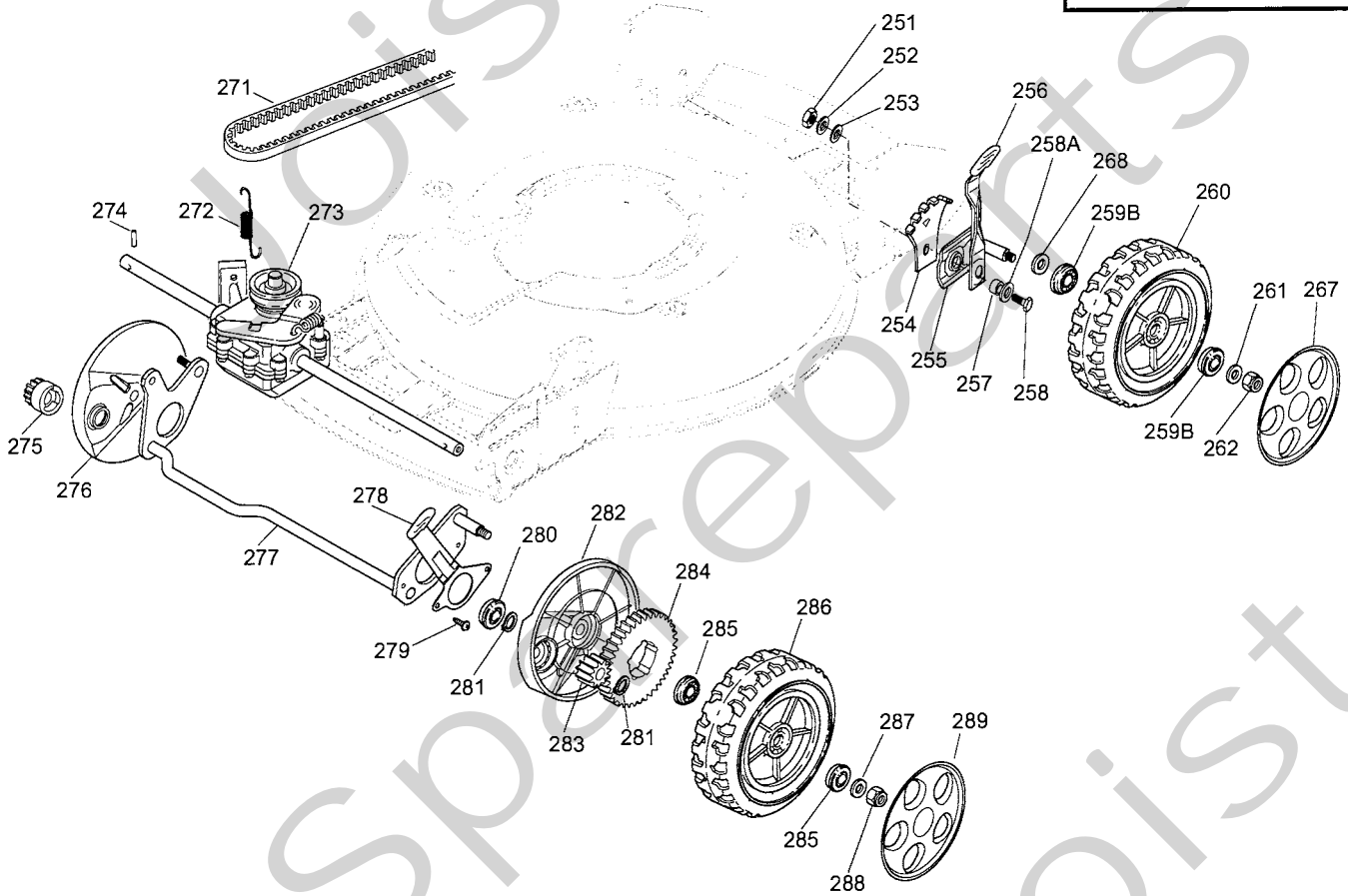
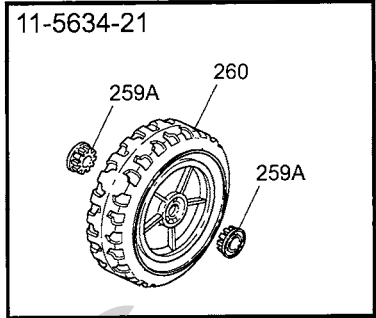
Genuine Spare Parts



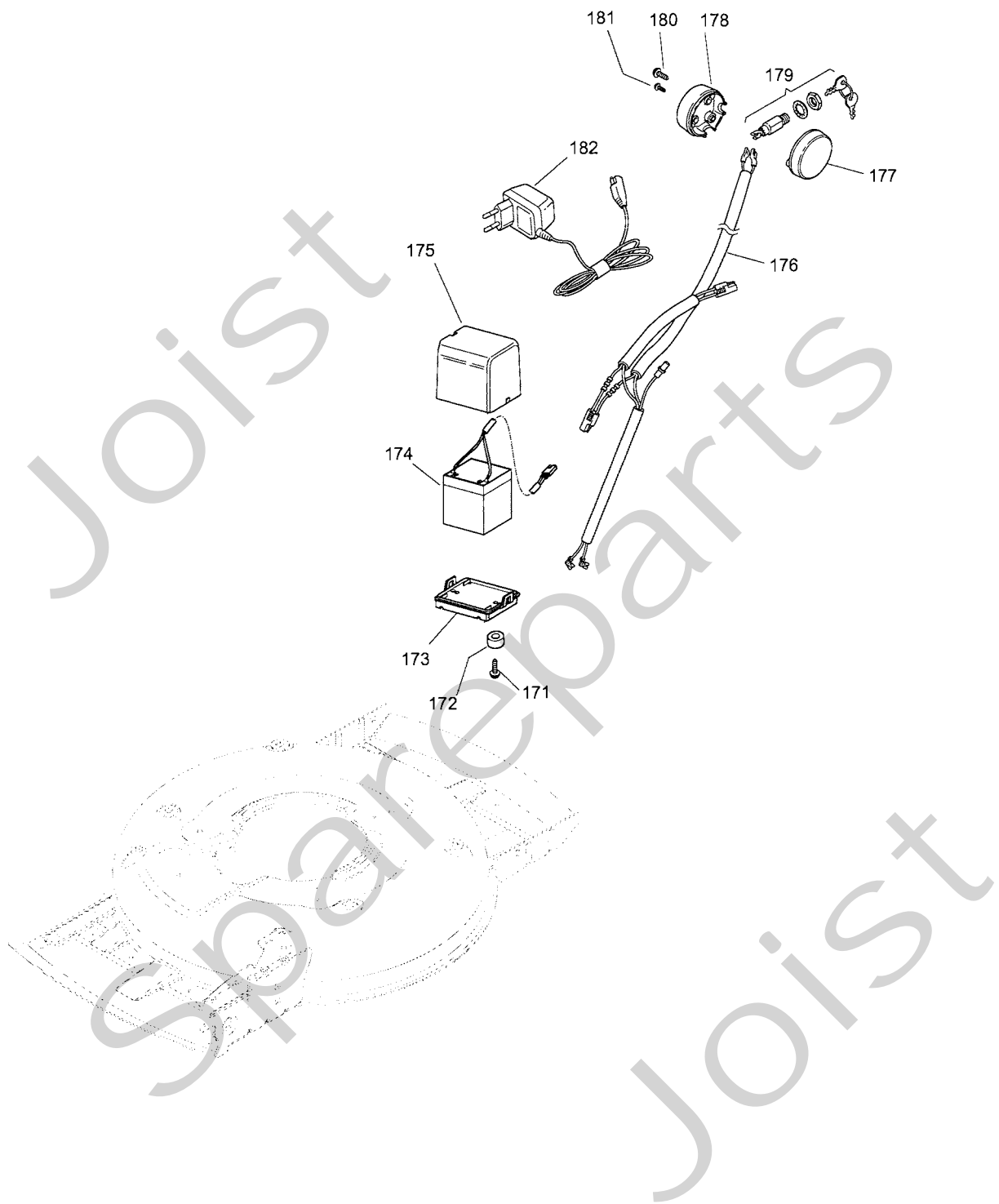
Joist
Spareparts
Joist



Utgåva Issue		Bildnr Picture No				MULTICLIP 50S PLUS MULTICLIP 50S EURO CHASSI STYRE	MULTICLIP 50S PLUS MULTICLIP 50S EURO CHASSI HANDLE	Sida Page	
2006- 12		2096						16	
Pos. Fig.	Antal/Quantity				Art nr Part No	Benämning	Description	Sats Kit	Anmärkning Notes
	5634 -21	5634 -11	5681 -51	5698 -11					
X	1	1			1136-2384-01	Chassi- gul.....	Chassis- yellow		
X	1	1	1	1	1136-2385-01	Chassi- gul.....	Chassis- yellow		Hammerite
X	2	1	1	1	1136-2315-01	Skydd	Protection		
	3	3	3	3	1136-0615-01	Skruv	Screw		
X	4	1	1	1	1136-2368-01	Fäste- hö.....	Bracket- RH.....		
X	5	1	1	1	1136-2369-01	Fäste- vä	Bracket- LH		
	6	2	2	2	9898-0616-16	Skruv	Screw		
	7	2	2	2	9739-0631-22	Mutter.....	Nut		
	8	4	4	4	9997-0816-16	Skruv	Screw		
	9	4	4	4	9739-0831-22	Mutter.....	Nut		
X	10	2	2	2	1136-2304-01	Hållare	Fairlead		
X	11	2	2	2	1136-2255-01	Skruv	Screw		
	12	2	2	2	9847-8019-16	Skruv	Screw		
X	13	1			1136-2356-01	Frontkåpa- gul.....	Front cover- yellow.....		
X	13	1	1	1	1136-2357-01	Frontkåpa- grå	Front cover- grey.....		
X	14	1	1	1	1136-2400-01	Fläns.....	Flange		
	15	3	3	3	9997-0816-16	Skruv	Screw		
	16	6	6	6	9699-0056-02	Planbricka.....	Flat washer		
	17	3	3	3	9739-0831-22	Mutter.....	Nut		
	18	3	3	3	9955-3732-12	Skruv	Screw		
	21	2	2	2	1136-0061-01	Plugg.....	Cap		
	22	4	4	4	9898-0835-12	Skruv	Screw		
X	23	1	1	1	1136-2395-01	Styre- underdel.....	Handle- lower		
	24	4	4	4	9747-0831-02	Mutter.....	Lock nut		
	25	4	4	4	9403-0113-00	Mutterhatt.....	Nut cap		
	29	2	2	2	1136-0620-01	Skruv	Screw		
	30	2	2	2	1136-0693-01	Bricka	Washer.....		
	31	2	2	2	1117-3194-01	Lås ratt.....	Locking knob		
	32	2	2	2	9799-0831-02	Mutter.....	Nut		
	34	1	1	1	1136-0620-01	Skruv	Screw		
X	35	1	1	1	1136-2396-01	Styre- mellandel.....	Handle- middle part.....		
	36	1	1	1	1136-0747-01	Skruv m. ögla	Screw w. loop		
	37	2	2	2	1136-0693-01	Bricka	Washer.....		
	38	2	2	2	1117-3194-01	Lås ratt.....	Locking knob		
	39	2	2	2	9799-0831-02	Mutter.....	Nut		
	41	1	1	1	1136-0763-01	Styre- överdel	Handle- upper.....		
	42			1	1136-1358-01	Motorbromswire.....	Engine brake cable.....		
X	42	1	1		1136-2373-01	Motorbromswire.....	Engine brake cable.....		
X	42			1	1136-2374-01	Motorbromswire.....	Engine brake cable.....		
	45	2	2	2	1136-0640-01	Bussning	Bush.....		
	46	1	1	1	1136-0746-01	Motorbromsbygel.....	Engine brake lever.....		
	51	1	1	1	1136-0745-01	Drivbygel	Drive lever.....		
	52	2	2	2	1136-0639-01	Bussning	Bush.....		
X	53	1	1	1	1136-2377-01	Kopplingswire.....	Clutch cable		
	151	1	1		1136-0604-01	Mutter.....	Nut		
	152	1	1		1136-0611-01	Låsbricka.....	Grower		
	153	1	1		1136-0659-01	Distans	Spacer.....		
	154	1	1		9699-0035-02	Planbricka.....	Flat washer.....		
	155	1	1		1136-0606-01	Fjäderbricka.....	Spring washer		
	156	1	1		1136-0766-01	Gasreglagearm	Throttle lever.....		
	157	1	1		1136-0764-01	Gasreglagekabel	Throttle cable		
	158	1	1		1136-0618-01	Skruv	Screw		
	159	1	1		1136-1857-01	Dekal	Label		
	201	1		1	1136-0691-01	Skydd	Protection		
	501	1	1	1	1111-9120-01	Knivfäste m.remskiva	Hub w. pulley		
X	502	1	1	1	1111-9155-01	Kniv	Blade.....		
	503	1	1	1	1136-0083-01	Fjäderbricka.....	Elastic washer		
	504	1	1	1	1136-0015-01	Bricka	Washer.....		
	505	1	1	1	1136-0616-01	Bult.....	Screw.....		
	506	1	1	1	9600-0014-00	Kil	Key.....		



Utgåva Issue 2006-12		Bildnr Picture No 2097				MULTICLIP 50S PLUS MULTICLIP 50S EURO HJULUPPHÄNGNING TRANSMISSION		MULTICLIP 50S PLUS MULTICLIP 50S EURO WHEEL SUSPENSION TRANSMISSION		Sida Page 18	
Pos. Fig.	Antal/Quantity				Art nr Part No	Benämning	Description	Sats Kit	Anmärkning Notes		
	5634 -21	5634 -11	5681 -51	5698 -11							
251	2	2	2	2	9799-0831-02	Mutter.....	Nut.....				
252	2	2	2	2	9683-0030-02	Låsbricka.....	Lock washer.....				
253	2	2	2	2	1136-0014-01	Bricka.....	Washer.....				
254	2	2	2	2	1136-0696-01	Höjdinställn.sektor.....	Wheel adjust sector.....				
255	2	2	2	2	1136-1381-01	Hjulstöd.....	Wheel support.....				
256	2	2	2	2	1136-1380-01	Höjdinställn.spak.....	Height adjust lever.....				
257	2	2	2	2	1136-0084-01	Distans.....	Spacer.....				
258	2	2	2	2	9997-0830-16	Skruv.....	Screw.....				
258A	2	2	2	2	9699-0090-02	Planbricka.....	Flat washer.....				
259A	4				1136-0634-01	Bussning.....	Bush.....				
259B		4	4	4	1136-0655-01	Kullager.....	Ball bearing.....				
260	2	2	2	2	1136-0772-01	Hjul.....	Wheel.....				
261	2				9699-0056-02	Planbricka.....	Flat washer.....				
261		2	2	2	9699-0090-02	Planbricka.....	Flat washer.....				
262	2	2	2	2	9747-0831-02	Mutter.....	Lock nut.....				
267	2				1136-0646-01	Navkapsel- gul.....	Hub cap- yellow.....				
X 267		2	2	2	1136-2333-01	Navkapsel- grå.....	Hub cap- grey.....				
268		2	2	2	1136-0609-01	Fjäderbricka.....	Elastic washer.....				
271	1	1	1	1	1111-9124-01	Drivrem.....	Belt.....				
X 272	1	1	1	1	1136-2361-01	Fjäder.....	Spring.....				
X 273	1	1	1	1	1136-2387-01	Transmission kpl.....	Transmission assy.....				
274	2	2	2	2	1136-0697-01	Stift.....	Pin.....				
275	1	1	1	1	1136-0684-01	Drev- hö.....	Pinion- RH.....				
276	1	1	1	1	1136-0690-01	Hjulskydd.....	Wheel protection.....				
X 277	1	1	1	1	1136-2380-01	Hjulaxel.....	Wheel axle.....				
X 278	1	1	1	1	1136-2388-01	Höjdinställn.spak.....	Height adjust lever.....				
279	2	2	2	2	9943-0610-16	Skruv.....	Screw.....				
280	2	2	2	2	1136-0632-01	Lager.....	Bearing.....				
281	4	4	4	4	9650-0012-04	Seegersäkring.....	Circlip.....				
282	1	1	1	1	1136-0689-01	Hjulskydd.....	Wheel protection.....				
283	1	1	1	1	1136-0685-01	Drev- vä.....	Pinion- LH.....				
284	2	2	2	2	1136-0653-01	Kuggkrans.....	Ring gear.....				
285	4	4	4	4	1136-0655-01	Kullager.....	Ball bearing.....				
286	2	2	2	2	1136-0772-01	Hjul.....	Wheel.....				
287	2	2	2	2	1136-0006-01	Fjäderbricka.....	Elastic washer.....				
288	2	2	2	2	9747-0831-02	Mutter.....	Lock nut.....				
289	2				1136-0646-01	Navkapsel- gul.....	Hub cap- yellow.....				
X 289		2	2	2	1136-2333-01	Navkapsel- grå.....	Hub cap- grey.....				



Utgåva Issue		Bildnr Picture No		MULTICLIP 50SE PLUS ELSTART		MULTICLIP 50SE PLUS ELECTRIC START		Sida Page	
2006-12		2098						20	
Pos. Fig.	Antal/Quantity			Art nr Part No	Benämning	Description	Sats Kit	Anmärkning Notes	
	5698 -11								
X	171	2		1136-2256-01	Skruv	Screw			
X	172	2		1136-2372-01	Distans	Spacer			
X	173	1		1136-2370-01	Batteripltta	Battery support			
	174	1		1136-1320-01	Batteri	Battery			
	175	1		1136-1334-01	Lock	Cover			
X	176	1		1136-2302-01	Kablage	Cable harness			
	177	1		1111-2021-01	Lock	Cover			
	178	1		1111-2020-01	Hus	Housing			
	179	1		9400-0186-00	Tändningslås kpl.....	Starting switch assy.....			
	179A	1		1134-2848-01	• Tändningsnyckel.....	• Ignition key			
	180	2		9838-9540-12	Skruv	Screw			
	181	1		9836-9216-12	Skruv	Screw			
	182	1		1136-1321-01	Batteriladdare	Charger			