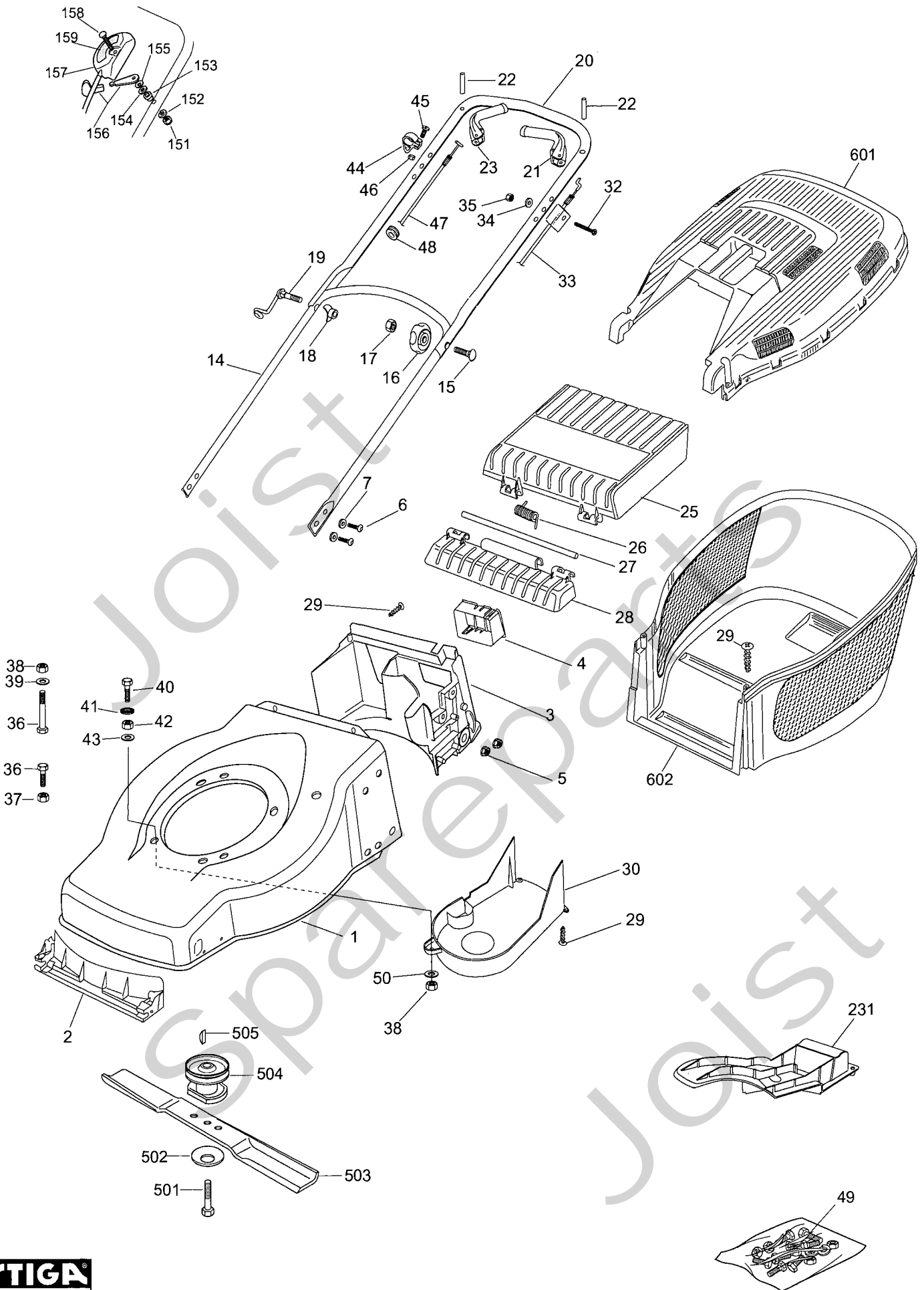


# Genuine Spare Parts

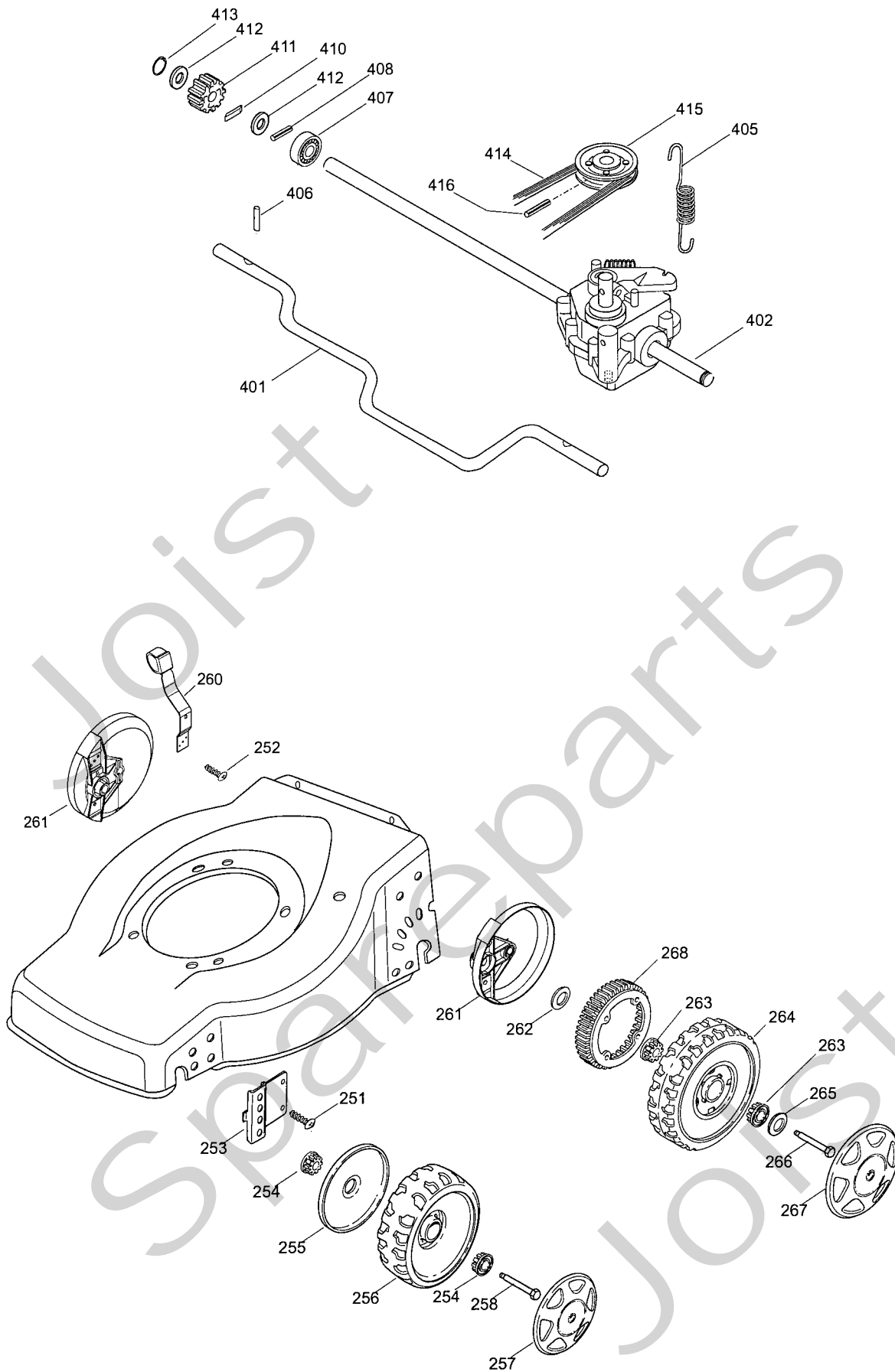
---



Joist  
Spareparts  
Joist

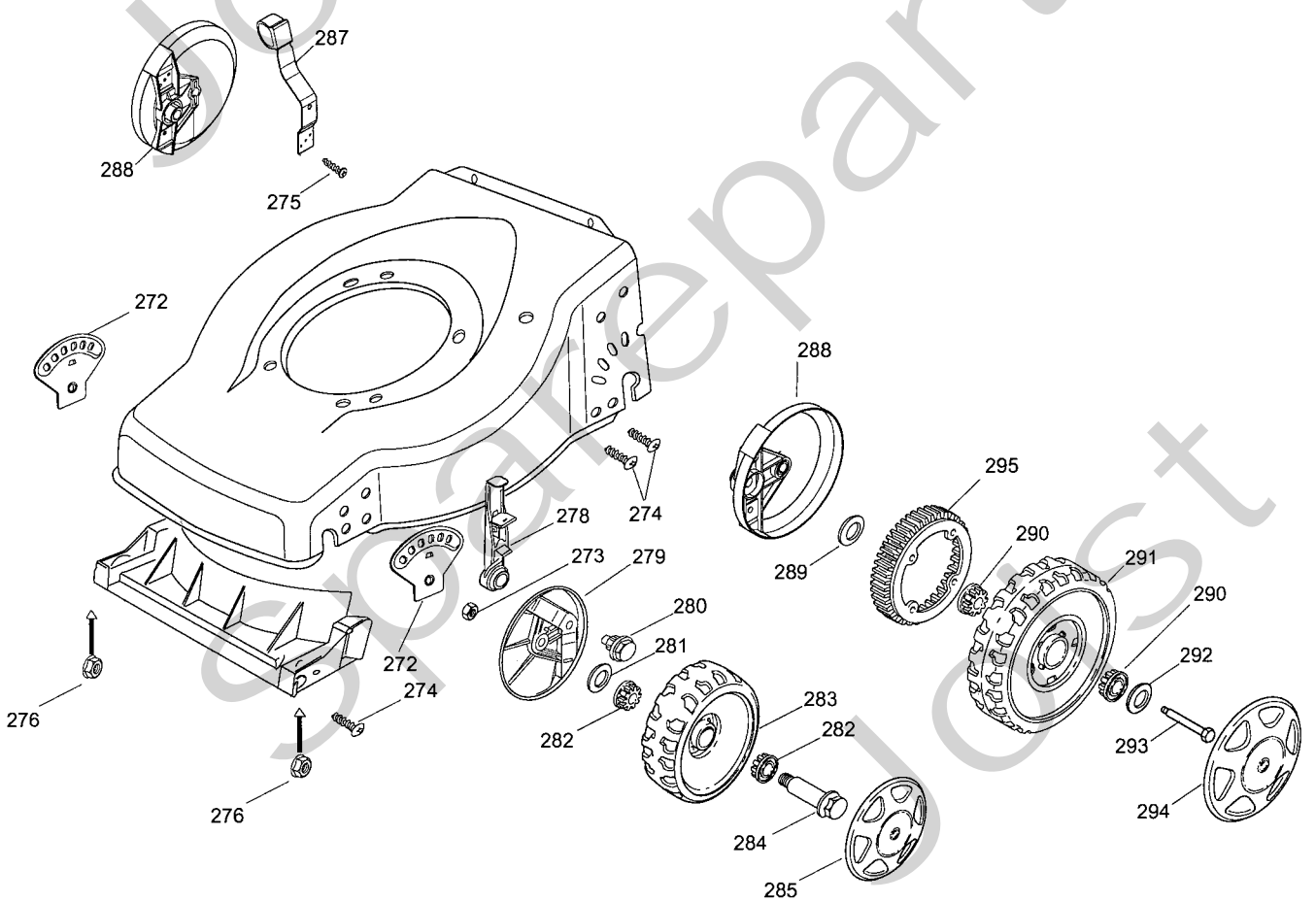
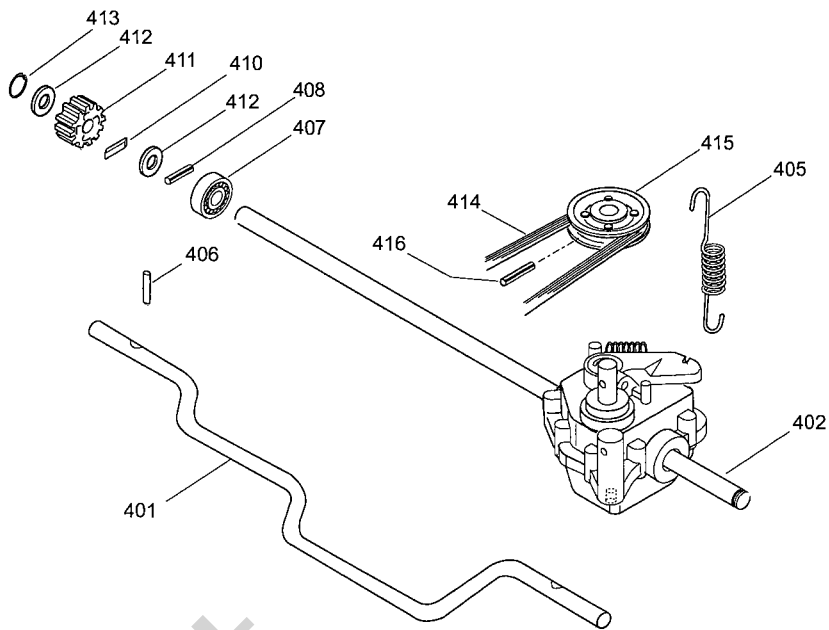


Utgåva Issue		Bildnr Picture No			COLLECTOR 46S CHASSI STYRE	COLLECTOR 46S CHASSIS HANDLE	Sida Page	
2006- 12		1918A					84	
Pos. Fig.	Antal/Quantity			Art nr Part No	Benämning	Description	Sats Kit	Anmärkning Notes
	3834 -22	3881 -42	3834 -62					
X 1	1	1	1	1136-2410-01	Chassi- gul.....	Chassis- yellow .....		
2	1	1	1	1117-3007-01	Ledplåt- främre.....	Baffle- front .....		
3	1	1	1	1117-3008-01	Ledplåt- bakre.....	Baffle- rear .....		
4	1	1	1	1111-2927-01	Batterihållare.....	Battery holder .....		
5	4	4	4	1117-1131-01	Flänsnutt.....	Nut .....		
6	4	4	4	1117-1364-01	Skruv.....	Screw .....		
7	4	4	4	9699-0028-02	Planbricka.....	Flat washer .....		
14	1	1	1	1136-1411-01	Styre- underdel.....	Handlebar- lower part.....		
15	1	1	1	1136-0620-01	Skruv.....	Screw .....		
16	2	2	2	1117-3194-01	Lås ratt.....	Locking knob .....		
17	2	2	2	9799-0831-02	Mutter.....	Nut .....		
18	2	2	2	1136-0693-01	Bricka.....	Washer .....		
19	1	1	1	1136-0747-01	Skruv m. ögla.....	Screw w. loop .....		
20	1	1	1	1136-1413-01	Styre- överdel.....	Handlebar- upper part.....		
21	1	1	1	1117-3221-01	Manöverbygel.....	OPC lever .....		
22	2	2	2	9595-0258-00	Spännstift.....	Locating pin .....		
23	1	1	1	1117-3222-01	Manöverbygel.....	Control lever .....		
25	1	1	1	1117-1156-01	Lucka- gul.....	Rear flap- yellow .....		
26	1	1	1	1117-1126-01	Fjäder.....	Spring- rear flap .....		
27	1	1	1	1117-1143-01	Axel.....	Shaft .....		
28	1	1	1	1117-1155-01	Luckinfästning- gul.....	Flap holder- yellow .....		
29	6	6	6	9836-9516-12	Skruv.....	Screw .....		
30	1	1	1	1117-1147-01	Transmissionskåpa.....	Transmission cap .....		
32	1	1	1	9997-0635-12	Skruv.....	Screw .....		
33	1	1	1	1136-1883-01	Motorbromswire.....	Engine brake cable.....		
34	1	1	1	9699-0025-02	Planbricka.....	Washer .....		
35	1	1	1	9799-0631-02	Mutter.....	Nut .....		
36	2	2	2	9997-0830-16	Skruv.....	Screw .....		
37	1	1	1	9739-0831-22	Mutter.....	Nut .....		
38	2	2	2	9747-0831-02	Mutter.....	Lock nut.....		
39	1	1	1	9699-0028-02	Planbricka.....	Flat washer .....		
40	1	1	1	1136-1886-01	Skruv.....	Screw .....		
41	1	1	1	9678-0009-02	Låsbricka.....	Lock washer.....		
42	1	1	1	9799-0831-02	Mutter.....	Nut .....		
43	1	1	1	9699-0062-02	Planbricka.....	Flat washer.....		
44	1	1	1	1117-1114-01	Wirehållare.....	Support.....		
45	1	1	1	9865-0616-16	Skruv.....	Screw .....		
46	1	1	1	9799-0631-02	Mutter.....	Nut .....		
47	1	1	1	1136-1404-01	Kopplingswire.....	Clutch cable .....		
48	1	1	1	1136-0629-01	Kabelgenomföring.....	Fair lead .....		
49	1	1	1	1136-1415-01	Mont.sats.....	Assy kit .....		
50	1	1	1	1136-0309-01	Bricka.....	Washer.....		
151	1	1	1	1136-0604-01	Mutter.....	Nut .....		
152	1	1	1	1136-0611-01	Låsbricka.....	Grower.....		
153	1	1	1	1136-0659-01	Distans.....	Spacer.....		
154	1	1	1	9699-0035-02	Planbricka.....	Flat washer.....		
155	1	1	1	1136-0606-01	Fjäderbricka.....	Spring washer.....		
156	1	1	1	1136-0766-01	Gasreglagearm.....	Throttle lever.....		
157	1	1	1	1136-0764-01	Gasreglagekabel.....	Throttle cable.....		
158	1	1	1	1136-0618-01	Skruv.....	Screw .....		
159	1	1	1	1136-1857-01	Dekal.....	Label.....		
231	1	1	1	1117-3001-01	Mulcherplugg.....	Mulch plug.....		
501	1	1	1	9987-5251-12	Skruv.....	Screw .....		
502	1	1	1	1117-1065-01	Tallriksbricka.....	Spring washer.....		
503	1	1	1	1111-9116-01	Kniv.....	Blade.....		
504	1	1	1	1111-9074-01	Knivfäste.....	Blade holder.....		
505	1	1	1	9600-0014-00	Kil.....	Key.....		
601	1	1	1	1117-1157-01	Uppsamlarlock- gul.....	Grassbag cover- yellow.....		
602	1	1	1	1117-1218-01	Uppsamlare- underdel.....	Lower grass bag .....		



Utgåva Issue 2006- 12	Bildnr Picture No 1917A	COLLECTOR 46S TRANSMISSION HJULUPPHÅNGNING	COLLECTOR 46S TRANSMISSION WHEEL SUSPENSION	Sida Page 86
-----------------------------	-------------------------------	--	---	--------------------

Pos. Fig.	Antal/Quantity				Art nr Part No	Benämning	Description	Sats Kit	Anmärkning Notes
	3834 -22								
					9836-9516-12	Skruv .....	Screw .....		
					9836-9512-12	Skruv .....	Screw .....		
					1117-3009-01	Hjulplåt .....	Wheel plate .....		
X					1136-2263-01	Bussning .....	Bushing .....		
					1117-1161-01	Hjulsköld .....	Wheel protection .....		
X					1136-2014-01	Hjul .....	Wheel .....		
					1136-1894-01	Navkapsel- gul .....	Hub cap- yellow .....		
X					1136-2309-01	Bult .....	Bolt .....		
					1117-1174-01	Höjdställningsspak .....	Height adjust lever .....		
					1117-3256-01	Hjulsköld .....	Wheel protection cap .....		
X					1136-2040-01	Distans .....	Spacer .....		
					1136-0634-01	Bussning .....	Bush .....		
X					1136-2037-01	Hjul .....	Wheel .....		
					9699-0085-02	Planbricka .....	Flat washer .....		
					1136-1397-01	Skruv .....	Screw .....		
					1136-0646-01	Navkapsel- gul .....	Hub cap- yellow .....		
X					1136-2035-01	Kuggkrans .....	Sprocket .....		
X					1136-2261-01	Bakaxel .....	Rear axle .....		
					1136-1408-01	Transmission kpl .....	Transmission assy .....		
					1117-1120-01	Fjäder .....	Spring .....		
					9595-0212-00	Spännstift .....	Locating pin .....		
					1136-0655-01	Kullager .....	Ball bearing .....		
					9591-0011-00	Stift .....	Pin .....		
					1111-3256-01	Drivkil .....	Drive key .....		
					1111-3075-01	Kuggjul- plasthjul .....	Pinion- plastic wheel .....		
					1111-2830-01	Stödbricka .....	Support washer .....		
					1117-1083-01	Låsring .....	Safety ring .....		
					1111-9114-01	Drivrem .....	Drive belt .....		
					1117-3018-01	Remskiva .....	Pulley .....		
					1136-0612-01	Stift .....	Pin .....		



Utgåva Issue 2006-12		Bildnr Picture No 1919A		COLLECTOR 46S TRANSMISSION HJULUPPHÄNGNING		COLLECTOR 46S TRANSMISSION WHEEL SUSPENSION		Sida Page 88	
Pos. Fig.	Antal/Quantity			Art nr Part No	Benämning	Description	Sats Kit	Anmärkning Notes	
	3881 -42								
	272	2		1117-1213-01	Hålblåt .....	Sector .....			
	273	2		9747-0831-02	Mutter .....	Lock nut .....			
	274	6		9836-9516-12	Skruv .....	Screw .....			
	275	2		9836-9512-12	Skruv .....	Screw .....			
	276	2		1117-1131-01	Flänsmutter .....	Nut .....			
	278	2		1117-1228-01	Inställningsspak .....	Adjusting lever .....			
	279	2		1117-1376-01	Hjulsköld .....	Wheel lever .....			
	280	2		1117-1182-01	Ansatsbult .....	Shoulder bolt .....			
	281	2		1136-0309-01	Bricka .....	Washer .....			
	282	4		1136-0634-01	Bussning .....	Bush .....			
X	283	2		1136-2014-01	Hjul .....	Wheel .....			
X	284	2		1136-2041-01	Hjulbult .....	Wheel axle bolt .....			
	285	2		1136-1894-01	Navkapsel- gul .....	Hub cap- yellow .....			
	287	1		1117-1174-01	Höjdställningsspak .....	Height adjust lever .....			
	288	2		1117-3256-01	Hjulsköld .....	Wheel protection cap .....			
X	289	2		1136-2040-01	Distans .....	Spacer .....			
	290	4		1136-0634-01	Bussning .....	Bush .....			
X	291	2		1136-2037-01	Hjul .....	Wheel .....			
	292	2		9699-0085-02	Planbricka .....	Flat washer .....			
	293	2		1136-1397-01	Skruv .....	Screw .....			
	294	2		1136-0646-01	Navkapsel- gul .....	Hub cap- yellow .....			
X	295	2		1136-2035-01	Kuggkrans .....	Sprocket .....			
X	401	1		1136-2261-01	Bakaxel .....	Rear axle .....			
	402	1		1136-1408-01	Transmission kpl .....	Transmission assy .....			
	405	1		1117-1120-01	Fjäder .....	Spring .....			
	406	2		9595-0212-00	Spännstift .....	Locating pin .....			
	407	2		1136-0655-01	Kullager .....	Ball bearing .....			
	408	2		9591-0011-00	Stift .....	Pin .....			
	410	2		1111-3256-01	Drivkil .....	Drive key .....			
	411	2		1111-3075-01	Kuggjul- plasthjul .....	Pinion- plastic wheel .....			
	412	4		1111-2830-01	Stödbricka .....	Support washer .....			
	413	2		1117-1083-01	Låsring .....	Safety ring .....			
	414	1		1111-9114-01	Drivrem .....	Drive belt .....			
	415	1		1117-3018-01	Remskiva .....	Pulley .....			
	416	1		1136-0612-01	Stift .....	Pin .....			





Utgåva Issue 2006- 12		Bildnr Picture No 1920A		COLLECTOR 46S TRANSMISSION HJULUPPHÄNGNING		COLLECTOR 46S TRANSMISSION WHEEL SUSPENSION		Sida Page 90	
Pos. Fig.	Antal/Quantity			Art nr Part No	Benämning	Description	Sats Kit	Anmärkning Notes	
	3834 -62								
	302	2		1117- 1213- 01	Hälplåt .....	Sector .....			
	303	2		9747- 0831- 02	Mutter .....	Lock nut .....			
	304	6		9836- 9516- 12	Skruv .....	Screw .....			
	305	2		9836- 9512- 12	Skruv .....	Screw .....			
	306	2		1117- 1131- 01	Flänsmutter .....	Nut .....			
	308	2		1117- 1228- 01	Inställningsspak .....	Adjusting lever .....			
	309	2		1117- 1376- 01	Hjulsköld .....	Wheel lever .....			
	310	2		1117- 1182- 01	Ansatsbult .....	Shoulder bolt .....			
	311	2		1136- 0309- 01	Bricka .....	Washer .....			
X	313	2		1136- 2014- 01	Hjul .....	Wheel .....			
X	314	2		1136- 2041- 01	Hjulsbult .....	Wheel axle bolt .....			
	315	2		1136- 1894- 01	Navkapsel- gul .....	Hub cap- yellow .....			
	317	1		1117- 1174- 01	Höjinställningsspak .....	Height adjust lever .....			
	318	2		1117- 3256- 01	Hjulsköld .....	Wheel protection cap .....			
X	321	2		1136- 2037- 01	Hjul .....	Wheel .....			
	322	2		9699- 0085- 02	Planbricka .....	Flat washer .....			
	323	2		1136- 1397- 01	Skruv .....	Screw .....			
	324	2		1136- 0646- 01	Navkapsel- gul .....	Hub cap- yellow .....			
	325	2		9694- 0003- 00	Bricka .....	Washer .....			
	326	4		1111- 3296- 01	Kullager .....	Ball bearing .....			
	327	4		1136- 0634- 01	Bussning .....	Bush .....			
X	328	2		1136- 2040- 01	Distans .....	Spacer .....			
X	329	2		1136- 2035- 01	Kuggkrans .....	Sprocket .....			
X	401	1		1136- 2261- 01	Bakaxel .....	Rear axle .....			
	402	1		1136- 1408- 01	Transmission kpl .....	Transmission assy .....			
	405	1		1117- 1120- 01	Fjäder .....	Spring .....			
	406	2		9595- 0212- 00	Spännstift .....	Locating pin .....			
	407	2		1136- 0655- 01	Kullager .....	Ball bearing .....			
	408	2		9591- 0011- 00	Stift .....	Pin .....			
	410	2		1111- 3256- 01	Drivkil .....	Drive key .....			
	411	2		1111- 3075- 01	Kuggjul- plasthjul .....	Pinion- plastic wheel .....			
	412	4		1111- 2830- 01	Stödbricka .....	Support washer .....			
	413	2		1117- 1083- 01	Låsring .....	Safety ring .....			
	414	1		1111- 9114- 01	Drivrem .....	Drive belt .....			
	415	1		1117- 3018- 01	Remskiva .....	Pulley .....			
	416	1		1136- 0612- 01	Stift .....	Pin .....			