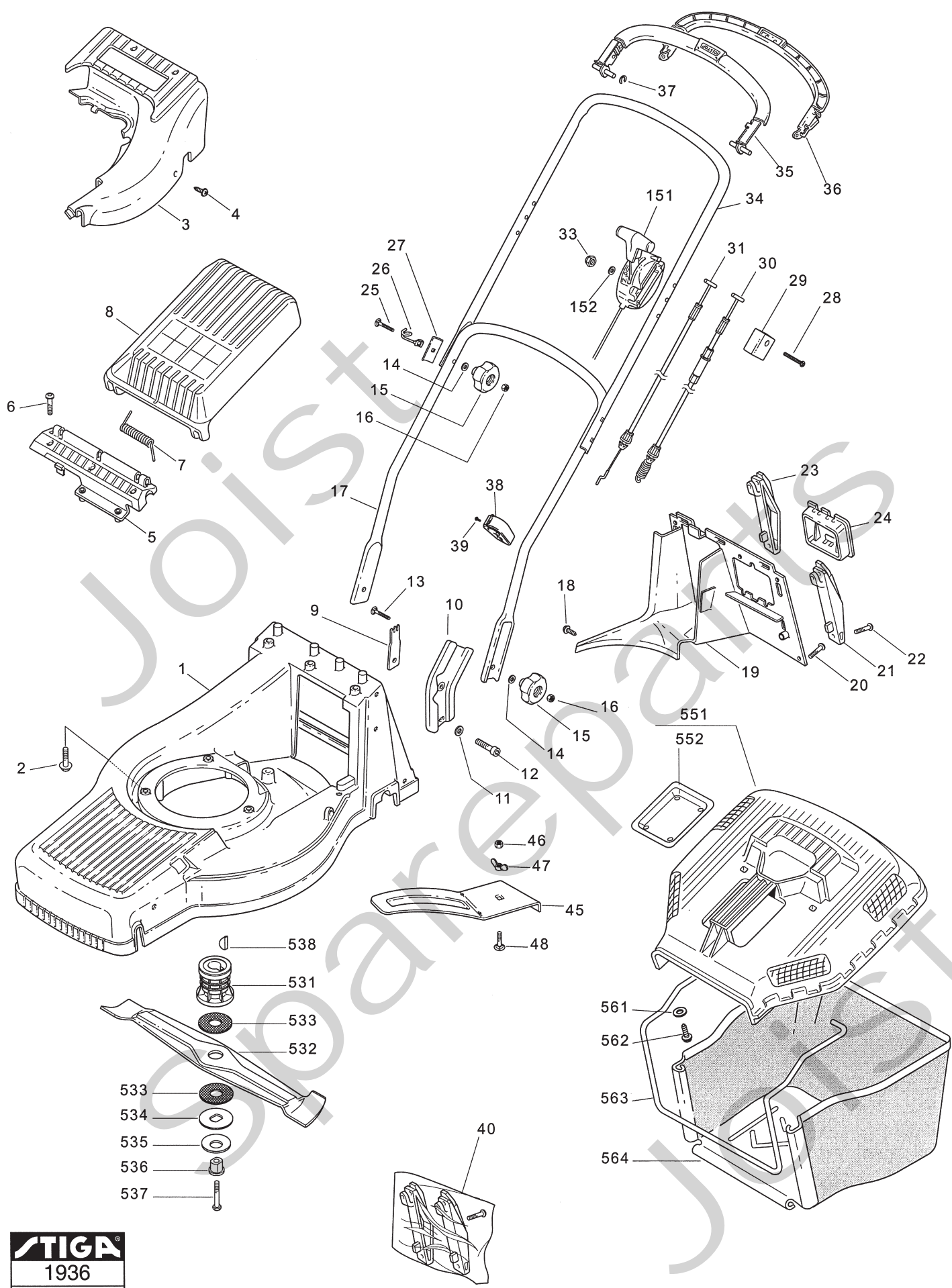


# Genuine Spare Parts

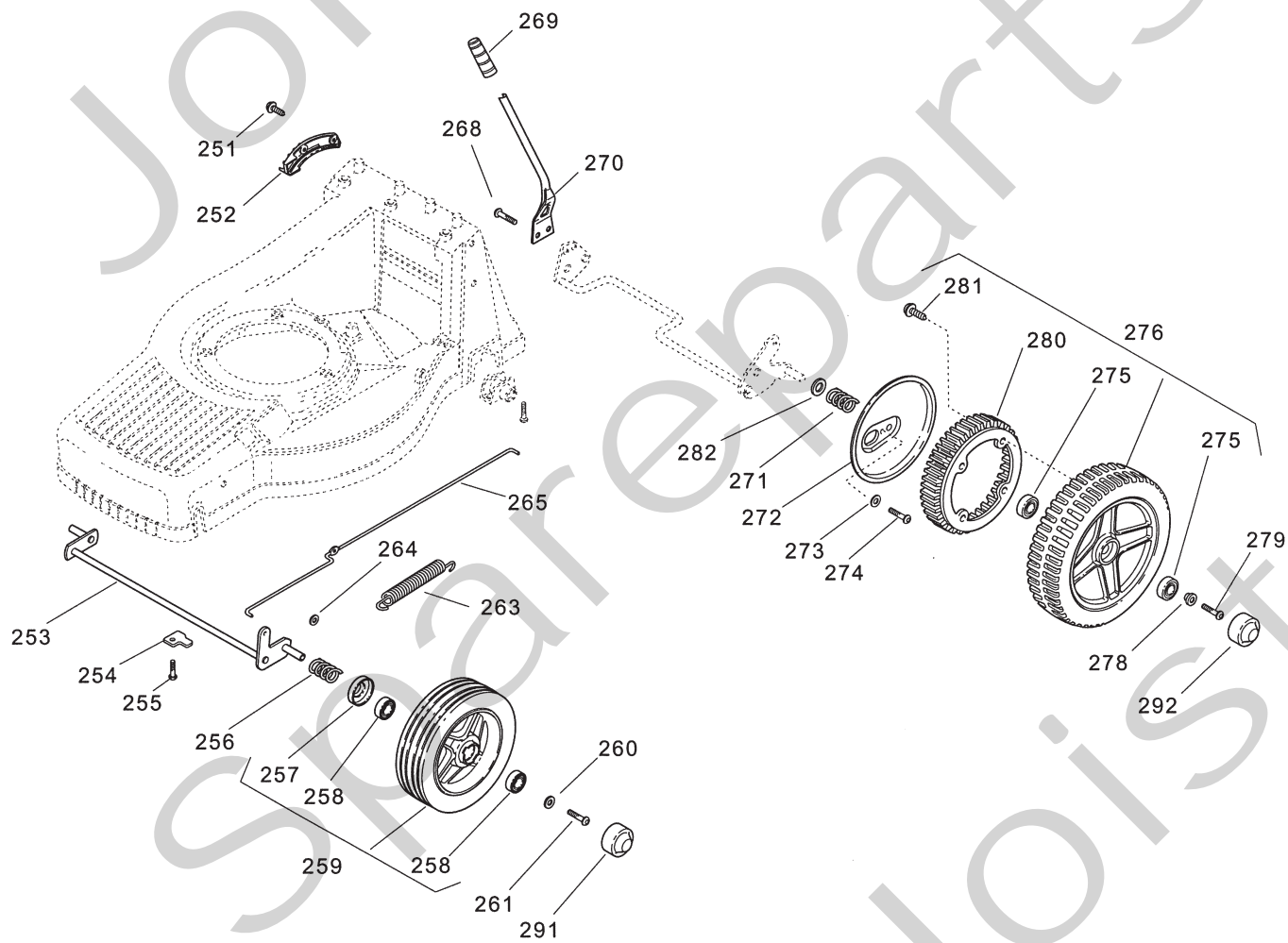
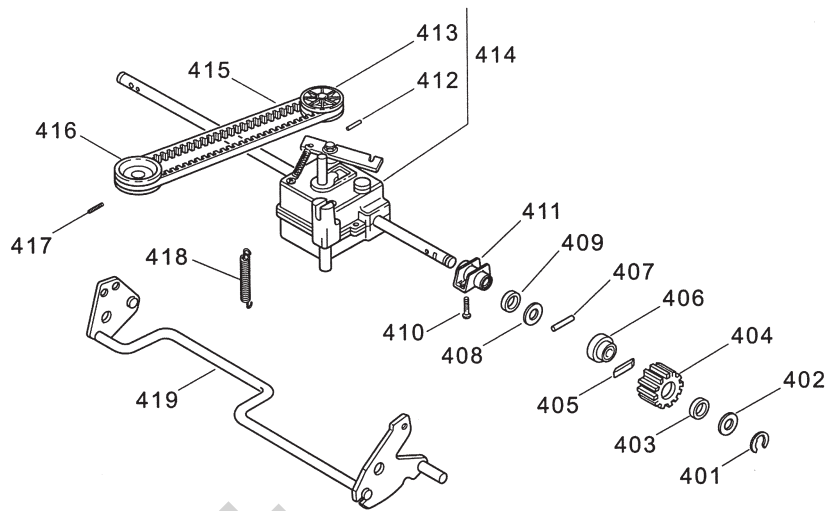
---



Spareparts  
Joist



Utgåva Issue		Bildnr Picture No		TURBO PRO 43S COMBI CHASSI STYRE		TURBO PRO 43S COMBI CHASSIS HANDLE		Sida Page	
2005-12		1936						162	
Pos. Fig.	Antal/Quantity			Art nr Part No	Benämning	Description	Sats Kit	Anmärkning Notes	
	1203 -49								
X 1	1			1111-3100-18	Chassi-grå.....	Chassis- grey .....			
2	3			9955-3732-12	Skruv .....	Screw .....			
3	1			1111-3102-01	Täckkåpa- gul.....	Cover- yellow .....			
4	3			9838-9522-12	Skruv .....	Screw .....			
5	1			1111-3104-01	Luckinfästning- gul .....	Flap attachm.- yellow .....			
6	3			9947-0616-16	Skruv .....	Screw .....			
7	1			1111-3181-01	Fjäder.....	Spring .....			
8	1			1111-3282-01	Lucka- gul .....	Flap- yellow .....			
9	1			1111-3024-01	Fästplatta .....	Attachment plate .....			
10	2			1111-3021-01	Styrinfästning .....	Handlebar attachment .....			
11	2			9699-0028-02	Planbricka.....	Flat washer.....			
12	2			9939-0820-16	Skruv .....	Screw .....			
13	2			9899-3557-12	Skruv .....	Screw .....			
14	4			9699-0028-02	Planbricka.....	Flat washer.....			
15	4			1111-3023-01	Låsrott .....	Locking knob .....			
16	4			9795-3531-02	Mutter.....	Nut .....			
17	1			1111-3113-01	Styre- underdel .....	Handlebar- lower part.....			
18	1			9838-9522-12	Skruv .....	Screw .....			
19	1			1111-3337-01	Bakstam.....	Rear attachment.....			
20	3			9947-0616-16	Skruv .....	Screw .....			
21	1			1111-3236-01	Hållare- vä.....	Attachment- LH .....			
22	4			9836-9520-12	Skruv .....	Screw .....			
23	1			1111-3237-01	Hållare- hö.....	Attachment- RH.....			
24	1			1111-2927-01	Batterihållare .....	Battery holder .....			
25	2			9899-3557-12	Skruv .....	Screw .....			
26	1			1111-3062-01	Ögla.....	Eyelink .....			
27	2			1111-0178-00	Förstärkning .....	Reinforcement.....			
28	1			9948-0670-16	Skruv .....	Screw .....			
29	1			1111-2969-01	Wirefäste .....	Cable attachment .....			
30	1			1111-3388-02	Kopplingswire.....	Clutch cable .....			
31	1			1111-2968-01	Motorbromswire.....	Engine brake cable .....			
33	1			9747-0631-02	Låsmutter .....	Lock nut.....			
34	1			1111-3112-01	Styre- överdel .....	Handlebar- upper part .....			
35	1			1111-3617-01	Manöverbygel .....	Control handle.....			
36	1			1111-2954-01	Manöverbygel .....	Control handle.....			
37	2			9652-0006-04	Spärryttare .....	Circlip .....			
38	1			1111-2018-01	Kabelhållare .....	Cable holder .....			
39	1			9836-9216-12	Skruv .....	Screw .....			
40	1			1111-3569-01	Tillbehörspåse .....	Accessory bag.....			
45	1			1111-3336-01	Mulcher plugg .....	Mulch plug .....			
46	1			9799-0831-02	Mutter.....	Nut .....			
47	1			1134-4481-01	Vingmutter.....	Wing nut .....			
48	1			1136-0825-01	Skruv .....	Screw .....			
151	1			1111-3351-01	Gasreglage.....	Throttle control .....			
152	1			9699-0060-02	Planbricka.....	Flat washer.....			
531	1			1111-9127-01	Knivfäste .....	Blade holder .....			
532	1			1111-3110-02	Kniv .....	Blade .....			
533	2			1111-3512-01	Friktionsbricka .....	Friction washer .....			
534	1			1111-3481-01	Bricka .....	Washer.....			
535	1			1111-3482-01	Tallriksfjäder .....	Disc washer .....			
536	1			1111-3483-01	Bussning .....	Bushing.....			
537	1			9987-5264-12	Skruv .....	Screw .....			
538	1			9600-0014-00	Kil .....	Key .....			
551	1			1117-1345-01	Uppsamlarlock- gul.....	Top collector- yellow .....			
552	1			1111-2764-01	• Täckbricka .....	• Cover.....			
561	2			9699-0100-02	Bricka .....	Washer.....			
562	2			9838-9522-12	Skruv .....	Screw .....			
563	1			1111-3109-01	Trådbygel.....	Wire clamp.....			
564	1			1111-3108-01	Uppsamlingsäck .....	Collecting bag .....			



Utgåva Issue		Bildnr Picture No		TURBO PRO 43S COMBI TRANSMISSION HJULUPPHÄNGNING		TURBO PRO 43S COMBI TRANSMISSION WHEEL SUSPENSION		Sida Page
2005-12		1937						164
Pos. Fig.	Antal/Quantity			Art nr Part No	Benämning	Description	Sats Kit	Anmärkning Notes
	1203 -49							
X 251	2			9838-9522-12	Skruv .....	Screw .....		
252	1			1111-2798-01	Höjdinst. segment .....	Height adj. quadrant .....		
253	1			1111-3466-03	Framaxel .....	Front axle .....		
254	2			1111-1504-01	Överfall .....	Retainer .....		
255	2			9947-0616-16	Skruv .....	Screw .....		
256	2			1111-1138-01	Fjäder .....	Spring .....		
257	1			1111-0466-00	• Kullagertätning .....	• Seal grease .....		
258	2			9549-0015-00	• Kullager .....	• Ball bearing .....		
X 259	2			1111-3260-01	Hjul kpl .....	Wheel assy .....		Inkl. pos 257 - 258
260	2			9699-0100-02	Bricka .....	Washer .....		
261	2			9943-0612-16	Skruv .....	Screw .....		
263	1			1111-2819-01	Fjäder .....	Spring .....		
264	2			9675-0011-00	Starlock .....	Starlock .....		
265	1			1111-2818-02	Dragstång .....	Height adjusting rod .....		
268	2			9943-0610-16	Skruv .....	Screw .....		
269	1			1111-2817-01	Handtag .....	Lever knob .....		
270	1			1111-2816-01	Spak .....	Height adj. lever .....		
271	2			1111-3060-01	Fjäder .....	Spring .....		
272	2			1111-3229-01	Täckplåt .....	Cover plate .....		
273	2			9699-0060-02	Planbricka .....	Flat washer .....		
274	2			9943-0610-16	Skruv .....	Screw .....		
X 275	2			9549-0001-00	• Kullager .....	• Ball bearing .....		Inkl. pos 275,280,281
X 276	2			1111-2262-01	Hjul kpl .....	Wheel assy .....		
278	2			1111-3555-01	Distans .....	Spacer .....		
279	2			1136-1314-01	Skruv .....	Screw .....		
280	1			1111-2109-01	• Kuggkrans .....	• Gear ring .....		
281	4			9841-0410-16	• Skruv .....	• Screw .....		
282	2			1111-3627-01	Distans .....	Spacer .....		
291	2			1111-1506-01	Navkapsel .....	Hub cap .....		
292	2			1111-2077-01	Navkapsel .....	Hub cap .....		
401	2			9652-0010-04	Låsring .....	Snap ring .....		
402	2			9695-0013-00	Bricka .....	Washer .....		
403	2			1111-2830-01	Stödbricka .....	Support washer .....		
404	2			1111-3230-01	Kugghjul- alum. hjul .....	Pinion- alum. wheel .....		
405	2			1111-3256-01	Drivkil .....	Drive key .....		
406	2			1111-2829-01	Låsbricka .....	Lock washer .....		
407	2			1111-2382-01	Cyl. pinne .....	Pin .....		
408	2			9695-0013-00	Bricka .....	Washer .....		
409	2			9404-0083-00	Tätningring .....	Seal ring .....		
410	4			9947-0616-16	Skruv .....	Screw .....		
411	2			1111-2814-01	Bussning .....	Bushing .....		
412	1			9595-0235-00	• Spännstift .....	• Locating pin .....		
413	1			1111-3440-01	• Remskiva .....	• Belt pulley .....		
X 414	1			1111-3402-01	Transmission kpl .....	Transmission assy .....		Inkl. pos 412 - 413
415	1			1111-9053-01	Drivrem .....	Drive belt .....		
416	1			1111-2915-01	Motorremskiva .....	Engine belt pulley .....		
417	1			9910-0612-16	Stoppskruv .....	Set screw .....		
418	1			1111-2822-01	Dragfjäder .....	Tension spring .....		
419	1			1111-3114-01	Bakaxel .....	Rear axle .....		