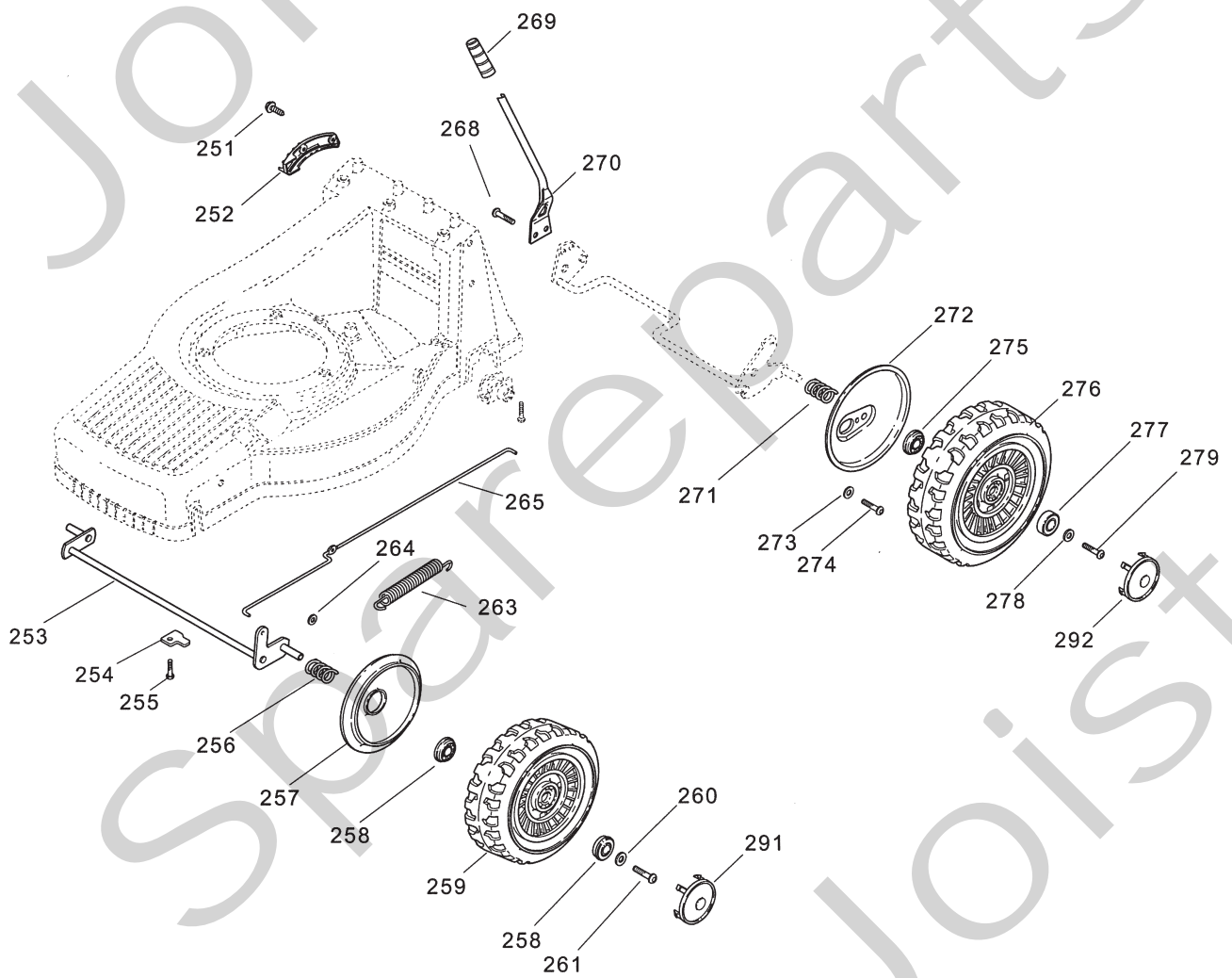
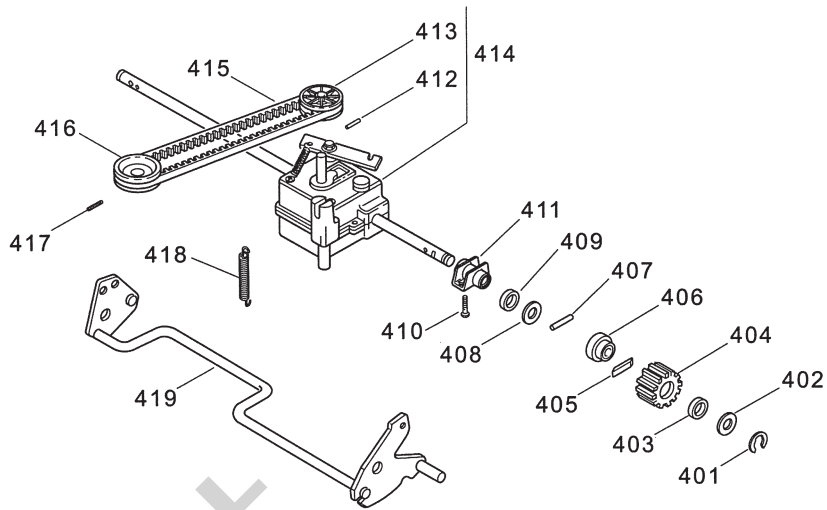


Genuine Spare Parts



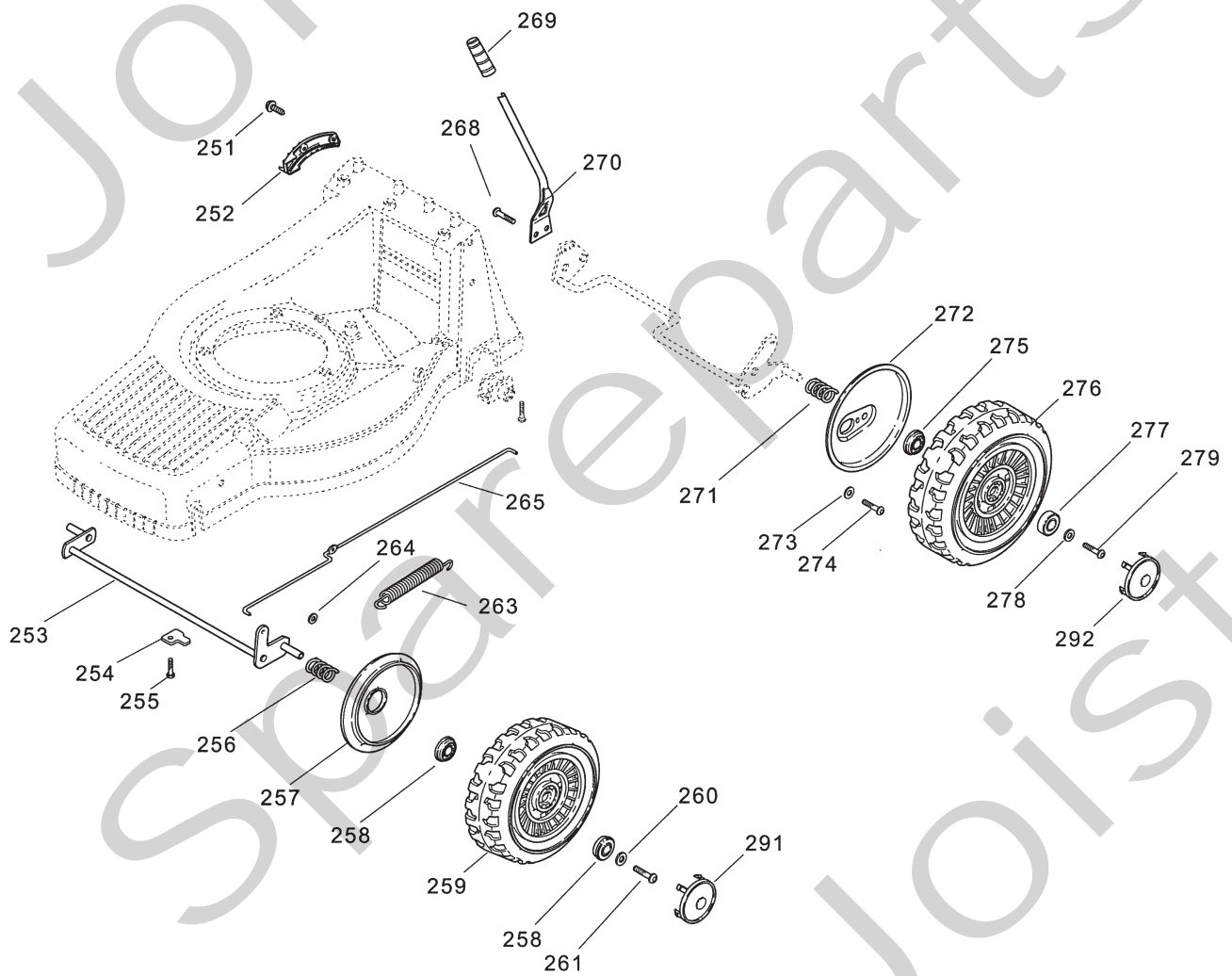
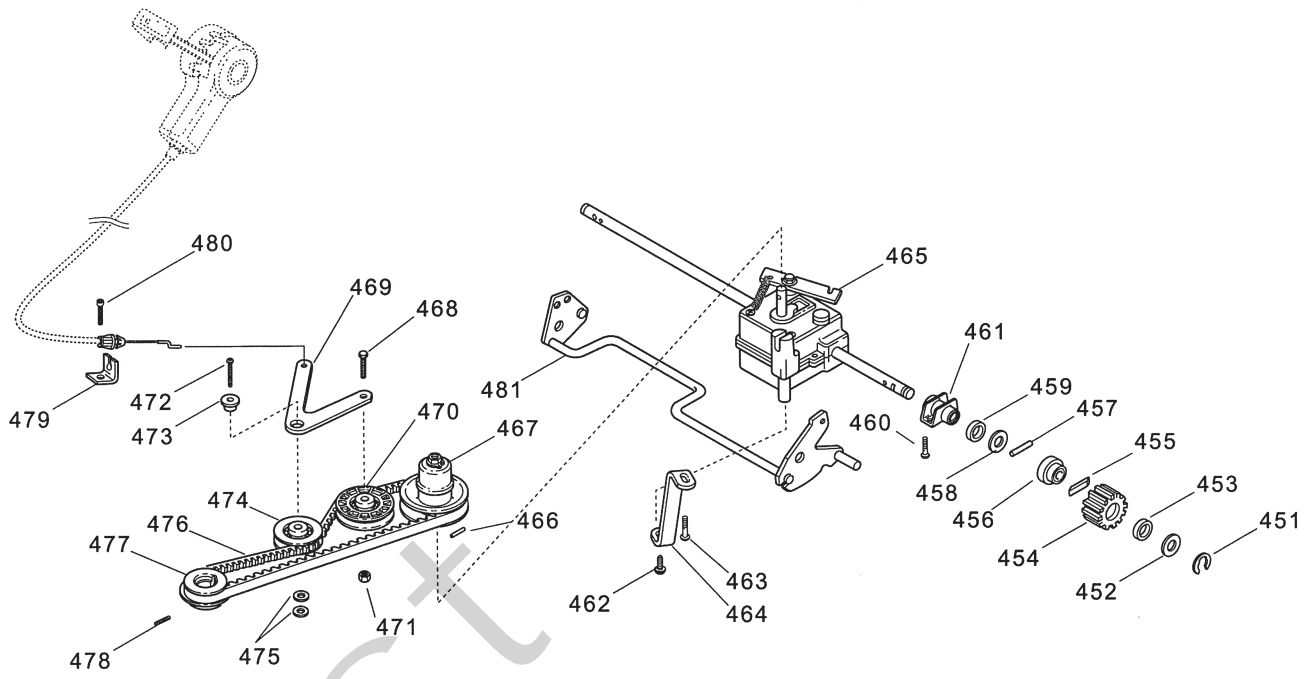
Joist
Spareparts
Joist

Utgåva Issue 2005- 12		Bildnr Picture No 1947				TURBO 55S COMBI TURBO 55SE COMBI CHASSI STYRE		TURBO 55S COMBI TURBO 55SE COMBI CHASSIS HANDLE		Sida Page 192
Pos. Fig.	Antal/Quantity				Art nr Part No	Benämning	Description	Sats Kit	Anmärkning Notes	
	9286 -20	9286 -40	9298 -60	9498 -40						
1	1		1		1111-3598-01	Chassi- gul.....	Chassis- yellow			
1		1		1	1111-3598-12	Chassi- grå.....	Chassis- grey			
2	3	3	3	3	9955-3732-12	Skruv	Screw			
3	1	1	1	1	1111-3597-01	Täckåpa- gul.....	Cover- yellow			
4	3	3	3	3	9838-9522-12	Skruv	Screw			
5	1	1	1	1	1111-2793-01	Luckinfästning- gul.....	Flap attachm.- yellow			
6	3	3	3	3	9947-0616-16	Skruv	Screw			
7	1	1	1	1	1111-2792-01	Fjäder.....	Spring			
8	1	1	1	1	1111-3283-01	Lucka- gul.....	Flap- yellow			
9	1	1	1	1	1111-3024-01	Fästplatta	Attachment plate			
10	2	2	2	2	1111-3021-01	Styrinfästning	Handlebar attachment			
12	2	2	2	2	9939-0820-16	Skruv	Screw			
13	4	4	4	4	9899-3557-12	Skruv	Screw			
14	6	6	6	6	9699-0028-02	Planbricka.....	Flat washer			
15	4	4	4	4	1111-3023-01	Låsrott	Locking knob			
16	4	4	4	4	9795-3531-02	Mutter.....	Nut			
17	1	1	1	1	1111-3428-01	Styre- underdel (sv).....	Handle- lower (black)			
18	1	1	1	1	9838-9522-12	Skruv	Screw			
19	1	1	1	1	1111-3335-01	Bakstam.....	Rear attachment.....			
20	3	3	3	3	9947-0616-16	Skruv	Screw			
21	1	1	1	1	1111-3236-01	Hållare- vä.....	Attachment- LH			
22	4	4	4	4	9836-9520-12	Skruv	Screw			
23	1	1	1	1	1111-3237-01	Hållare- hö.....	Attachment- RH.....			
24	1	1	1	1	1111-2927-01	Batterihållare	Battery holder			
26	1	1	1	1	1111-3062-01	Ögla.....	Eyelink			
27	2	2	2	2	1111-0178-00	Förstärkning	Reinforcement.....			
28	1	1	1	1	9948-0640-16	Skruv	Screw			
29	1	1	1	1	1111-2969-01	Wirefäste	Cable attachment			
30	1	1	1	1	1111-3388-01	Kopplingswire.....	Clutch cable			
31	1	1	1	1	1111-2968-02	Motorbromswire.....	Engine brake cable			
33	1	1	1	1	9747-0631-02	Låsmutter.....	Lock nut.....			
34	1	1	1	1	1111-3461-01	Styre- överdel (svart).....	Handle- upper (black).....			
35	1	1	1	1	1111-2953-01	Manöverbygel.....	Control handle.....			
36	1	1	1	1	1111-2954-01	Manöverbygel.....	Control handle.....			
38	1	1	1	1	1111-2018-01	Kabelhållare	Cable holder			
39	1	1	1	1	9836-9216-12	Skruv	Screw			
40	1	1	1	1	1111-3569-01	Tillbehörspåse	Accessory bag.....			
45	1	1	1	1	1111-3333-02	Mulcherplugg	Mulch plug			
101				1	1111-2971-03	Variatorreglage	Variator control			
102				1	9838-9540-12	Skruv	Screw			
103				1	1111-2941-01	Reglageknopp.....	Knob			
104				1	9838-9522-12	Skruv	Screw			
121	3	3	3	3	1111-2452-01	Dämpement	Rubber damper			
122		1		1	1111-3594-01	Motorplatta- gul.....	Engine plate- yellow			
122	1		1		1111-3594-02	Motorplatta- svart.....	Engine plate- black			
123	3	3	3	3	1111-2453-01	Isolering	Grommet.....			
124	3	3	3	3	1111-2454-01	Ansatsbult	Shoulder bolt			
125	3	3	3	3	9699-0062-02	Planbricka.....	Flat washer			
126	3	3	3	3	9699-0056-02	Planbricka.....	Flat washer.....			
127	3	3	3	3	9747-0831-02	Mutter.....	Lock nut.....			
128	1	1	1	1	1111-3641-01	Fjäder.....	Spring			
129	1	1	1	1	9943-0610-16	Skruv	Screw			
501	1	1	1	1	1111-9070-01	Knivfäste.....	Blade holder			
502	1	1	1	1	1111-9091-01	Kniv	Blade			
503	1	1	1	1	9696-0011-01	Bricka	Washer.....			
504	1	1	1	1	9987-5251-12	Skruv	Screw			
505	1	1	1	1	9600-0014-00	Kil	Key.....			
551	1	1	1	1	1111-2840-01	Uppsamlarlock- gul.....	Top collector- yellow			
552	1	1	1	1	1111-2764-01	• Täckbricka	• Cover.....			
561	2	2	2	2	9699-0100-02	Bricka	Washer.....			
562	2	2	2	2	9838-9522-12	Skruv	Screw			
563	1	1	1	1	1111-2843-01	Trådbygel.....	Wire clamp.....			
564	1	1	1	1	1111-2844-01	Uppsamlingsäck- svart.....	Collecting bag- black			

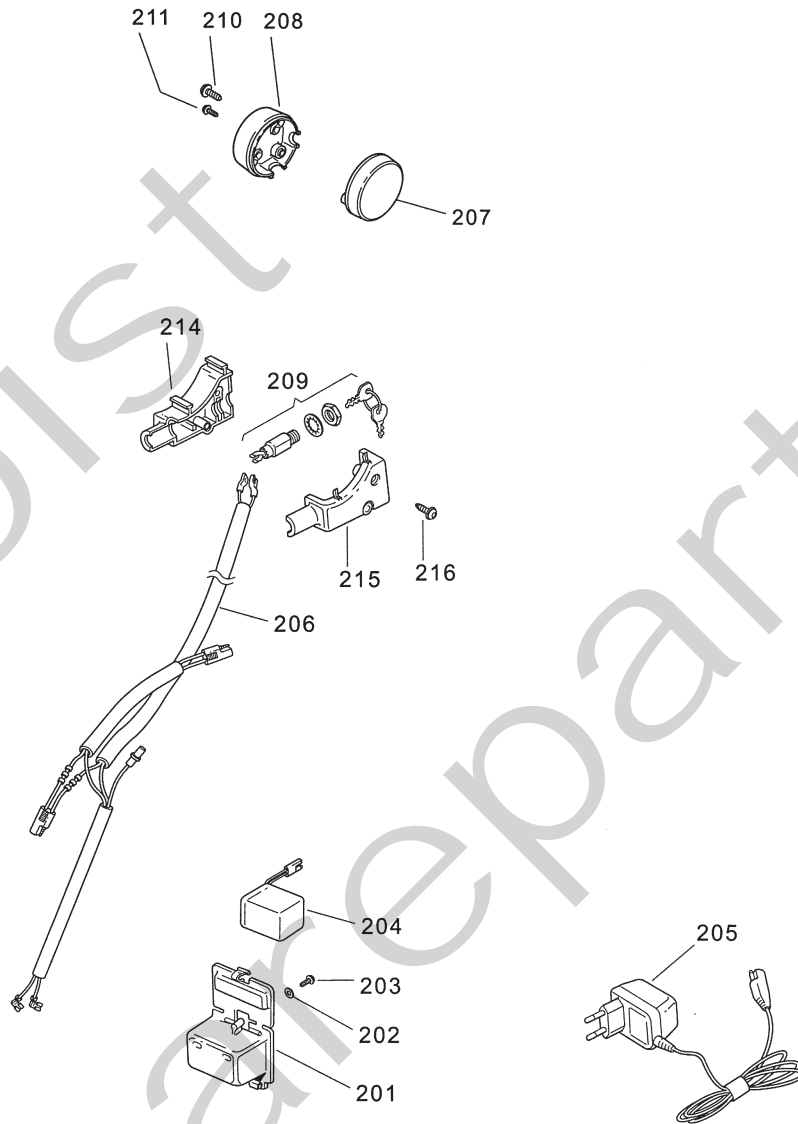


Utgåva Issue 2005- 12		Bildnr Picture No 1949		TURBO 55S COMBI TURBO 55SE COMBI TRANSMISSION HJULUPPHÄNGNING		TURBO 55S COMBI TURBO 55SE COMBI TRANSMISSION WHEEL SUSPENSION		Sida Page 194
Pos. Fig.	Antal/Quantity			Art nr Part No	Benämning	Description	Sats Kit	Anmärkning Notes
	9286 -20 -40	9298 -60						
251	2	2		9838-9522-12	Skruv	Screw		
252	1	1		1111-2798-01	Höjdinst. segment	Height adj. quadrant		
253	1	1		1111-3466-02	Framaxel	Front axle		
254	2	2		1111-1504-01	Överfall	Retainer		
255	2	2		9947-0616-16	Skruv	Screw		
256	2	2		1111-1138-01	Fjäder	Spring		
257	2	2		1111-2785-01	Täckbricka	Wheel cover		
258	2	2		1111-3296-01	• Kullager	• Ball bearing		
259	2	2		1111-2784-01	Hjul kpl	Wheel assy		Inkl. pos 258
260	2	2		9699-0100-02	Bricka	Washer		
261	2	2		9943-0612-16	Skruv	Screw		
263	1	1		1111-2819-01	Fjäder	Spring		
264	2	2		9675-0011-00	Starlock	Starlock		
265	1	1		1111-3031-01	Dragstång	Height adj. rod		
268	2	2		9943-0610-16	Skruv	Screw		
269	1	1		1111-2817-01	Handtag	Lever knob		
270	1	1		1111-2816-01	Spak	Height adj. lever		
271	2	2		1111-3060-01	Fjäder	Spring		
272	2	2		1111-3395-01	Täckplåt	Cover plate		
273	2	2		9699-0060-02	Planbricka	Flat washer		
274	2	2		9943-0610-16	Skruv	Screw		
275	1	1		1111-3296-01	• Kullager	• Ball bearing		
276	2	2		1111-3026-01	Hjul m. kullager	Wheel w. ball bearings		Inkl. pos 275, 277
277	1	1		9549-0001-00	• Kullager	• Ball bearing		
278	2	2		9699-0100-02	Bricka	Washer		
279	2	2		9943-0612-16	Skruv	Screw		
291	2	2		1111-3443-01	Navkapsel- silver	Hub cap- silver		
292	2	2		1111-3444-01	Navkapsel- silver	Hub cap- silver		
401	2	2		9652-0010-04	Låsring	Snap ring		
402	2	2		9695-0013-00	Bricka	Washer		
403	2	2		1111-2830-01	Stödbricka	Support washer		
404	2	2		1111-3075-01	Kuggjul- plasthjul	Pinion- plastic wheel		
405	2	2		1111-3256-01	Drivkil	Drive key		
406	2	2		1111-2829-01	Låsbricka	Lock washer		
407	2	2		1111-2382-01	Cyl. pinne	Pin		
408	2	2		9695-0013-00	Bricka	Washer		
409	2	2		9404-0083-00	Tätningring	Seal ring		
410	4	4		9947-0616-16	Skruv	Screw		
411	2	2		1111-2814-01	Bussning	Bushing		
412	1	1		9595-0235-00	• Spännstift	• Locating pin		
413	1	1		1111-3440-01	• Remskiva	• Belt pulley		
414	1	1		1111-3401-02	Transmission kpl	Transmission assy		Inkl. pos 412 - 413
415	1	1		9585-0137-01	Drivrem	Drive belt		
416	1	1		1111-2915-01	Motorremskiva	Engine belt pulley		
417	1	1		9910-0612-16	Stoppskruv	Set screw		
418	1	1		1111-2822-01	Dragfjäder	Tension spring		
419	1	1		1111-2808-01	Bakaxel	Rear axle		

X



Utgåva Issue		Bildnr Picture No		TURBO 55SE 4- SPEED TRANSMISSION HJULUPPHÄNGNING		TURBO 55SE 4- SPEED TRANSMISSION WHEEL SUSPENSION		Sida Page	
2005- 12		1950						196	
Pos. Fig.	Antal/Quantity			Art nr Part No	Benämning	Description	Sats Kit	Anmärkning Notes	
	9498 -40								
251	2			9838-9522-12	Skruv	Screw			
252	1			1111-2798-01	Höjdinst. segment	Height adj. quadrant			
253	1			1111-3466-02	Framaxel	Front axle			
254	2			1111-1504-01	Överfall	Retainer			
255	2			9947-0616-16	Skruv	Screw			
256	2			1111-1138-01	Fjäder	Spring			
257	1			1111-2785-01	Täckbricka	Wheel cover			
258	2			1111-3296-01	• Kullager	• Ball bearing			
259	2			1111-2784-01	Hjul kpl	Wheel assy		Inkl. pos 258	
260	2			9699-0100-02	Bricka	Washer			
261	2			9943-0612-16	Skruv	Screw			
263	1			1111-2819-01	Fjäder	Spring			
264	2			9675-0011-00	Starlock	Starlock			
265	1			1111-3031-01	Dragstång	Height adj. rod			
268	2			9943-0610-16	Skruv	Screw			
269	1			1111-2817-01	Handtag	Lever knob			
270	1			1111-2816-01	Spak	Height adj. lever			
271	2			1111-3060-01	Fjäder	Spring			
272	2			1111-3395-01	Täckplåt	Cover plate			
273	2			9699-0060-02	Planbricka	Flat washer			
274	2			9943-0610-16	Skruv	Screw			
275	1			1111-3296-01	• Kullager	• Ball bearing			
276	2			1111-3026-01	Hjul m. kullager	Wheel w. ball bearings		Inkl. pos 275, 277	
277	1			9549-0001-00	• Kullager	• Ball bearing			
278	2			9699-0100-02	Bricka	Washer			
279	2			9943-0612-16	Skruv	Screw			
291	2			1111-3443-01	Navkapsel- silver	Hub cap- silver			
292	2			1111-3444-01	Navkapsel- silver	Hub cap- silver			
451	2			9652-0010-04	Låsring	Snap ring			
452	2			9695-0013-00	Bricka	Washer			
453	2			1111-2830-01	Stödbricka	Support washer			
454	2			1111-3075-01	Kuggjul- plasthjul	Pinion- plastic wheel			
455	2			1111-3256-01	Drivkil	Drive key			
456	2			1111-2829-01	Låsbricka	Lock washer			
457	2			1111-2382-01	Cyl. pinne	Pin			
458	2			9695-0013-00	Bricka	Washer			
459	2			9404-0083-00	Tätningring	Seal ring			
460	4			9947-0616-16	Skruv	Screw			
461	2			1111-2814-01	Bussning	Bushing			
462	1			9947-0616-16	Skruv	Screw			
463	1			9838-9522-12	Skruv	Screw			
464	1			1111-3050-01	Stag	Bracket			
X 465	1			1111-3403-01	Transmission kpl	Transmission assy		Inkl. pos 466-467	
466	1			9594-0026-00	• Spännstift	• Locating pin			
467	1			1111-3001-01	• Variator	• Variator assy			
468	1			9997-0630-12	Skruv	Screw			
469	1			1111-3051-01	Spännarm	Tension arm			
470	1			1111-2746-01	Remskiva	Belt pulley			
471	1			9747-0631-02	Låsmutter	Lock nut			
472	1			9943-0650-16	Skruv	Screw			
473	1			1111-2423-01	Distans	Spacer			
474	1			1111-2747-01	Spännrulle	Tension roller			
475	2			9699-0060-02	Planbricka	Flat washer			
476	1			9585-0137-01	Drivrem	Drive belt			
477	1			1111-2433-01	Motorremskiva	Engine belt pulley			
478	1			9910-0612-16	Stoppsskruv	Set screw			
479	1			1111-2469-01	Fäste	Attachment			
480	1			9947-0616-16	Skruv	Screw			
481	1			1111-2808-01	Bakaxel	Rear axle			



Utgåva Issue		Bildnr Picture No		TURBO 55SE COMBI ELSTART		TURBO 55SE COMBI ELECTRIC STARTER		Sida Page	
2005-12		1948						198	
Pos. Fig.	Antal/Quantity			Art nr Part No	Benämning	Description	Sats Kit	Anmärkning Notes	
	9298 -60 -70	9498 -40							
X 201	1	1		1111-3339-01	Batteribox	Battery holder			
202	1	1		9699-0060-02	Planbricka	Flat washer			
203	1	1		9836-9216-12	Skruv	Screw			
204	1	1		1136-1320-01	Batteri	Battery			
205	1	1		1136-1321-01	Batteriladdare	Charger			
205	1	1		1136-1322-01	Batteriladdare (UK)	Charger (UK)		Only UK	
206	1	1		1136-1815-01	Kablage	Harness			
207	1			1111-2021-01	Lock	Cover			
208	1			1111-2020-01	Hus	Housing			
209	1	1		9400-0186-00	Tändningslås kpl.	Starting switch assy			
209A	1	1		1134-2848-01	• Tändningsnyckel	• Ignition key			
210	2			9838-9540-12	Skruv	Screw			
211	1			9836-9216-12	Skruv	Screw			
214		1		1111-2707-01	Hus	Housing			
215		1		1111-2705-01	Lock	Cover			
216		1		9838-9522-12	Skruv	Screw			