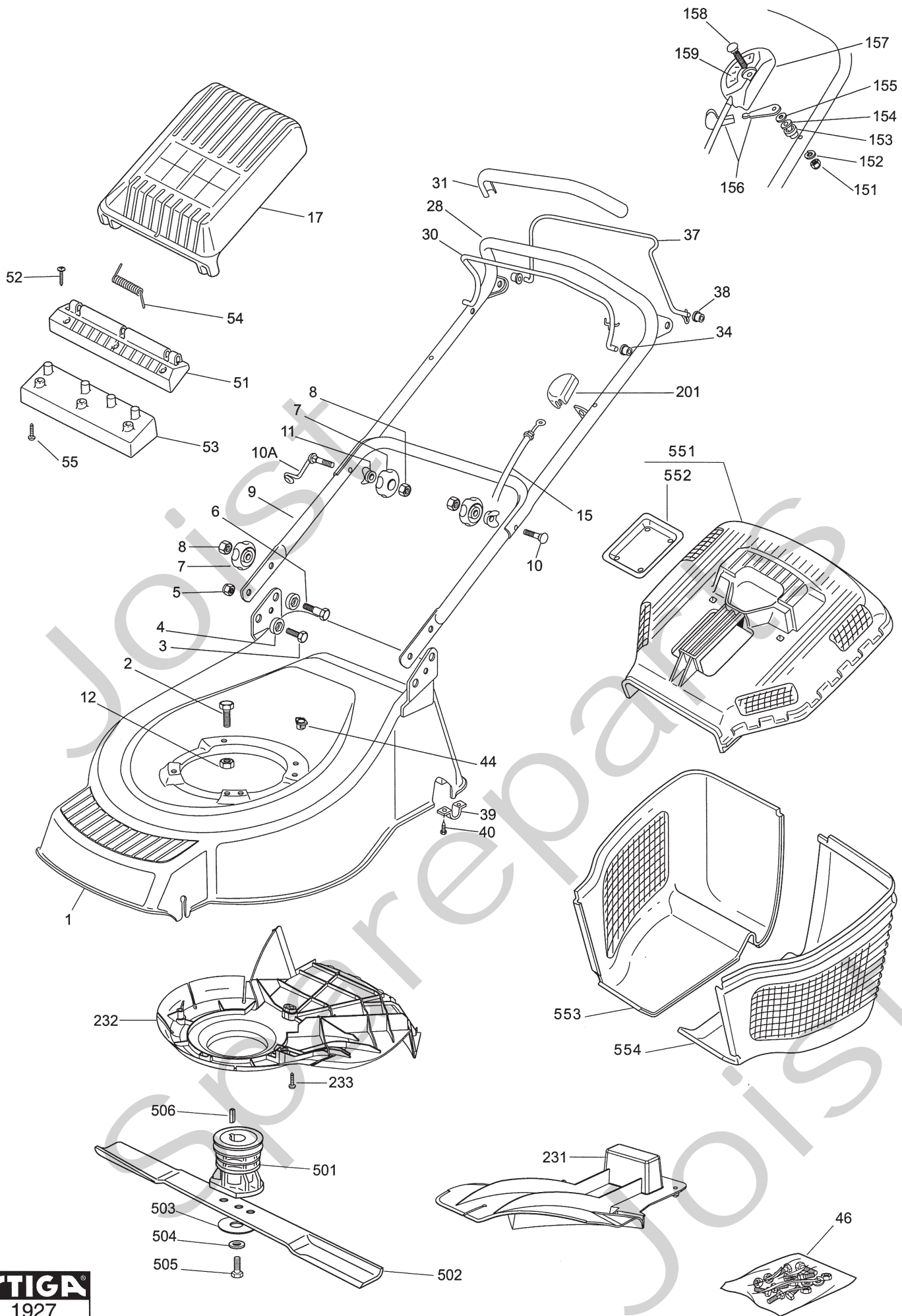


# Genuine Spare Parts

---



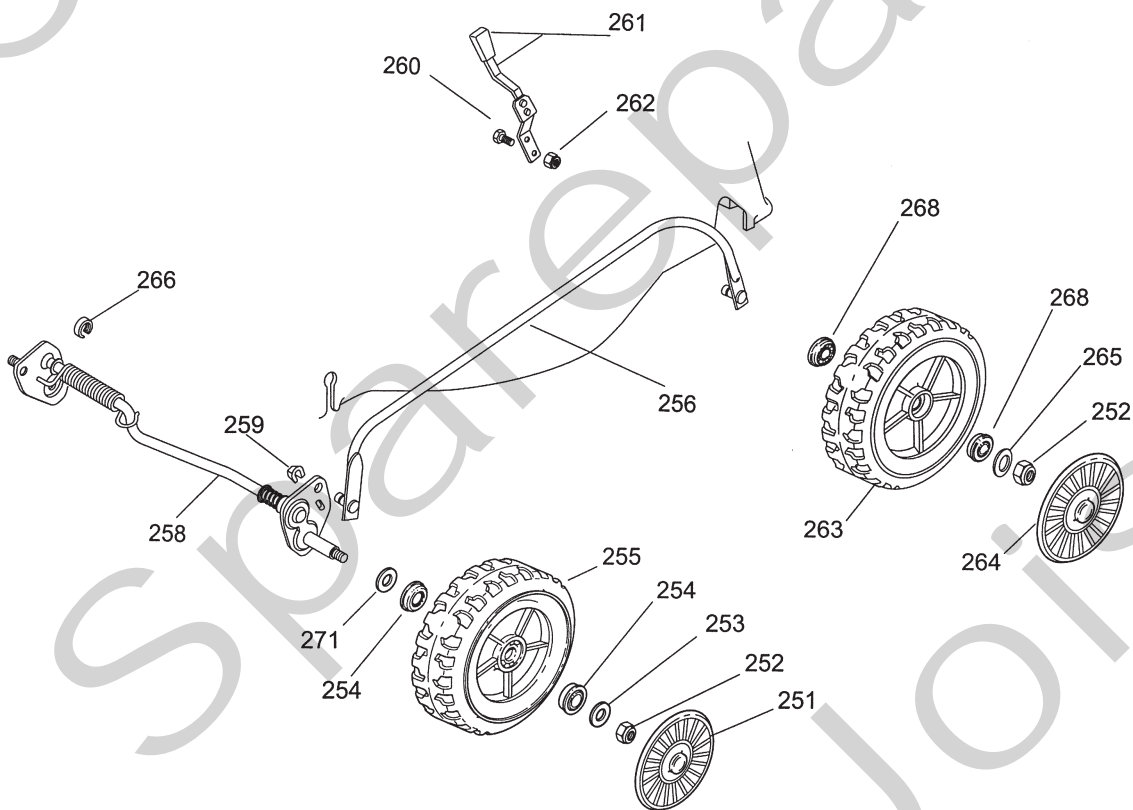
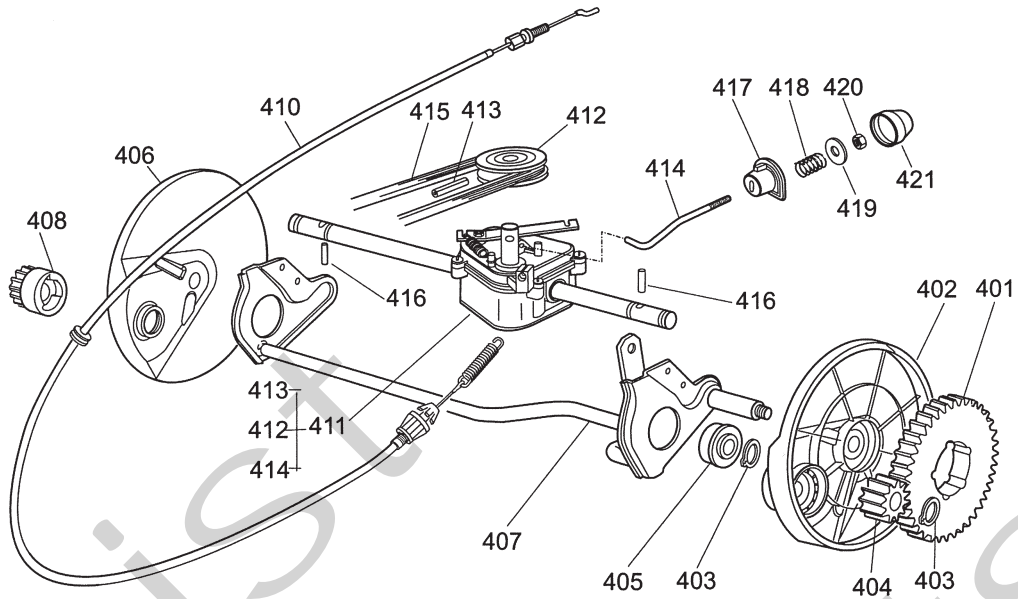
Joist  
Spareparts  
Joist



Utgåva Issue		Bildnr Picture No		COMBI 53S TURBO 53S COMBI CHASSI STYRE		COMBI 53S TURBO 53S COMBI CHASSIS HANDLE		Sida Page
2005- 12		1927						138
Pos. Fig.	Antal/Quantity			Art nr Part No	Benämning	Description	Sats Kit	Anmärkning Notes
	5281 -24	5286 -34						
X	1	1	1	1136-1911-01	Kåpa- gul .....	Deck- yellow .....		
	2	3/2	3/2	9997-0830-16	Skruv .....	Screw .....		L = 30 mm
	2	0/1	0/1	9997-0860-16	Skruv .....	Screw .....		L = 60 mm
	3	2	2	9997-0816-16	Skruv .....	Screw .....		
	4	4	4	1111-3554-01	Bussning .....	Bushing .....		
	5	2	2	9747-0831-02	Mutter .....	Lock nut .....		
	6	2	2	1136-0617-01	Skruv .....	Screw .....		
	7	4	4	1117-3194-01	Lås ratt .....	Locking knob .....		
	8	4	4	9799-0831-02	Mutter .....	Nut .....		
	9	1	1	1136-1193-01	Styre- underdel .....	Handle- lower .....		
	10	1	1	1136-0620-01	Skruv .....	Screw .....		
	10A	1	1	1136-0747-01	Skruv m. ögla .....	Screw w. loop .....		
	11	2	2	1136-0693-01	Bricka .....	Washer .....		
	12	3/2	3/2	9739-0831-22	Mutter .....	Nut .....		
	12	0/1	0/1	9747-0831-02	Mutter .....	Lock nut .....		
	15		1	1136-0716-01	Motorbromswire .....	Engine brake cable .....		
	15	1	1	1136-0717-01	Motorbromswire .....	Engine brake cable .....		
X	17	1	1	1136-1907-01	Lucka- grå .....	Flap- grey .....		
	28	1	1	1136-0763-01	Styre- överdel .....	Handle- upper .....		
	30	1	1	1136-0746-01	Motorbromsbygel .....	Engine brake lever .....		
	31	1	1	1136-1191-01	Handtag- svart .....	Handgrip- black .....		
	34	2	2	1136-0640-01	Bussning .....	Bush .....		
	37	1	1	1136-0745-01	Drivbygel .....	Drive lever .....		
	38	2	2	1136-0639-01	Bussning .....	Bush .....		
	39	2	2	1136-0682-01	Bygel .....	Plate .....		
	40	4	4	9847-8119-16	Skruv .....	Screw .....		
	44	1	1	1136-0665-01	Gummihylsa .....	Rubber insert .....		
	46	1	1	1136-0803-01	Skruvsats .....	Screw set .....		
X	51	1	1	1136-1909-01	Luckhållare- grå .....	Flap holder- grey .....		
	52	3	3	9836-9525-12	Skruv .....	Screw .....		
X	53	1	1	1136-1908-01	Faste- grå .....	Holder- grey .....		
	54	1	1	1111-2792-01	Fjäder .....	Spring .....		
	55	3	3	1136-1458-01	Skruv .....	Screw .....		
	151		1	1136-0604-01	Mutter .....	Nut .....		
	152		1	1136-0611-01	Låsbricka .....	Grower .....		
	153		1	1136-0659-01	Distans .....	Spacer .....		
	154		1	9699-0035-02	Planbricka .....	Flat washer .....		
	155		1	1136-0606-01	Fjäderbricka .....	Spring washer .....		
	156		1	1136-0766-01	Gasreglagearm .....	Throttle lever .....		
	157		1	1136-0764-01	Gaswire .....	Throttle cable .....		
	158		1	1136-0618-01	Skruv .....	Screw .....		
X	159		1	1136-1884-01	Dekal .....	Label .....		
	201	1		1136-0691-01	Skydd .....	Protection .....		
	231	1	1	1136-0656-01	Mulcherplugg .....	Deflector .....		
	232	1	1	1136-0645-01	Skyddskåpa .....	Protection .....		
	233	2	2	1136-0615-01	Skruv .....	Screw .....		
	501	1	1	1111-9120-01	Knivfäste m. remskiva .....	Hub w. pulley .....		
	502	1	1	1111-9122-01	Kniv .....	Blade .....		
	503	1	1	1136-0083-01	Fjäderbricka .....	Elastic washer .....		
	504	1	1	1136-0015-01	Bricka .....	Washer .....		
	505	1	1	9987-5251-12	Skruv .....	Screw .....		
	506	1	1	9600-0014-00	Kil .....	Key .....		
X	551	1	1	1111-2840-13	Uppsamlarlock- grå .....	Collector upper- grey .....		
	552	1	1	1111-2764-01	• Täckbricka .....	• Cover .....		
	553	1	1	1111-2842-02	Uppsaml. u- del- hö .....	Collector- lower part .....		
	554	1	1	1111-2841-02	Uppsaml. u- del- vä .....	Collector- lower part .....		

410 FRANCE REDUCTEURS

410 BI. CI. DI.



Utgåva Issue		Bildnr Picture No		COMBI 53S TURBO 53S COMBI TRANSMISSION HJULUPPHÄNGNING		COMBI 53S TURBO 53S COMBI TRANSMISSION WHEEL SUSPENSION		Sida Page	
2005- 12		1928						140	
Pos. Fig.	Antal/Quantity			Art nr Part No	Benämning	Description	Sats Kit	Anmärkning Notes	
	5281 -24 5286 -34								
251	2			1136-1508-01	Navkapsel- grå .....	Hub cap- grey .....			
252	4			9747-0831-02	Mutter .....	Lock nut .....			
253	2			9699-0028-02	Planbricka .....	Flat washer .....			
254	4			1136-0655-01	Kullager .....	Ball bearing .....			
255	2			1136-1520-01	Hjul .....	Wheel .....			
256	1			1136-0756-01	Höjinställningsstång .....	Height adjust rod .....			
258	1			1136-0712-01	Framaxel .....	Front wheel axle .....			
259	2			1136-0009-01	Låsplatta .....	Lock plate .....			
260	2			9997-0512-16	Skruv .....	Screw .....			
261	1			1136-0742-01	Höjinställningsspak .....	Height adjust lever .....			
262	2			9747-0531-02	Mutter .....	Nut .....			
263	2			1136-0772-01	Hjul .....	Wheel .....			
264	2			1136-1509-01	Navkapsel- grå .....	Hub cap- grey .....			
265	2			1136-0006-01	Fjäderbricka .....	Elastic washer .....			
266	1			1136-0658-01	Distans .....	Spacer .....			
268	4			1136-0655-01	Kullager .....	Ball bearing .....			
271	2			1136-0609-01	Fjäderbricka .....	Elastic washer .....			
401	2			1136-0653-01	Kuggkrans .....	Ring gear .....			
402	1			1136-0690-01	Hjulskydd- vä .....	Wheel protection- LH .....			
403	4			9650-0012-04	Seegersäkring .....	Circlip .....			
404	1			1136-0685-01	Drev- vä .....	Pinion- LH .....			
405	2			1136-0632-01	Lager .....	Bearing .....			
406	1			1136-0689-01	Hjulskydd- hö .....	Wheel protection- RH .....			
407	1			1136-0713-01	Bakaxel .....	Rear wheel axle .....			
408	1			1136-0684-01	Drev- hö .....	Pinion- RH .....			
410	1			1136-1455-01	Kopplingswire .....	Clutch cable .....		Bi.Ci.Di	
410	1			1136-1459-01	Kopplingswire .....	Clutch cable .....		France Reducteur	
411	1			1136-1456-01	Transmission kpl (sv) .....	Gearbox assy (black) .....		France Reducteur	
411	1			1136-1457-01	Transmission kpl (grå) .....	Gearbox assy (grey) .....		Bi.Ci.Di	
412	1			1136-0692-01	• Remskiva .....	• Pulley .....			
413	1			1136-0612-01	• Stift .....	• Pin .....			
414	1			1136-0633-01	• Justerstång .....	• Adjustment rod .....		Bi.Ci.Di	
414	1			1136-1454-01	• Justerstång .....	• Adjustment rod .....		France Reducteur	
415	1			1111-9124-01	Drivrem .....	Belt .....			
416	2			1136-0697-01	Stift .....	Pin .....			
417	1			1136-0638-01	Bussning .....	Bush .....			
418	1			1136-0668-01	Fjäder .....	Spring .....			
419	1			1136-0091-01	Bricka .....	Washer .....			
420	1			9747-0631-02	Låsmutter .....	Lock nut .....			
421	1			1136-0081-01	Navkapsel .....	Hub cap .....			