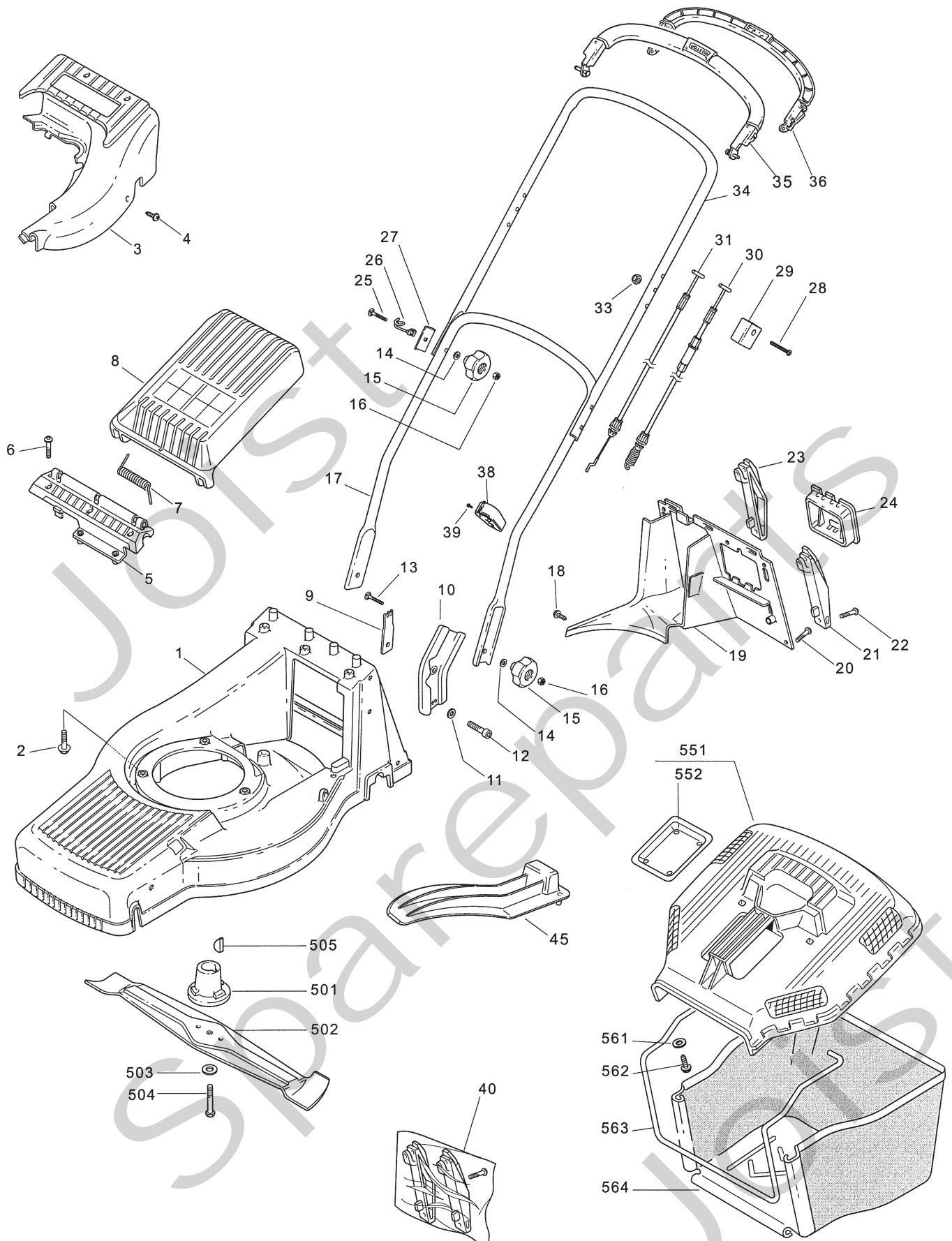


# Genuine Spare Parts

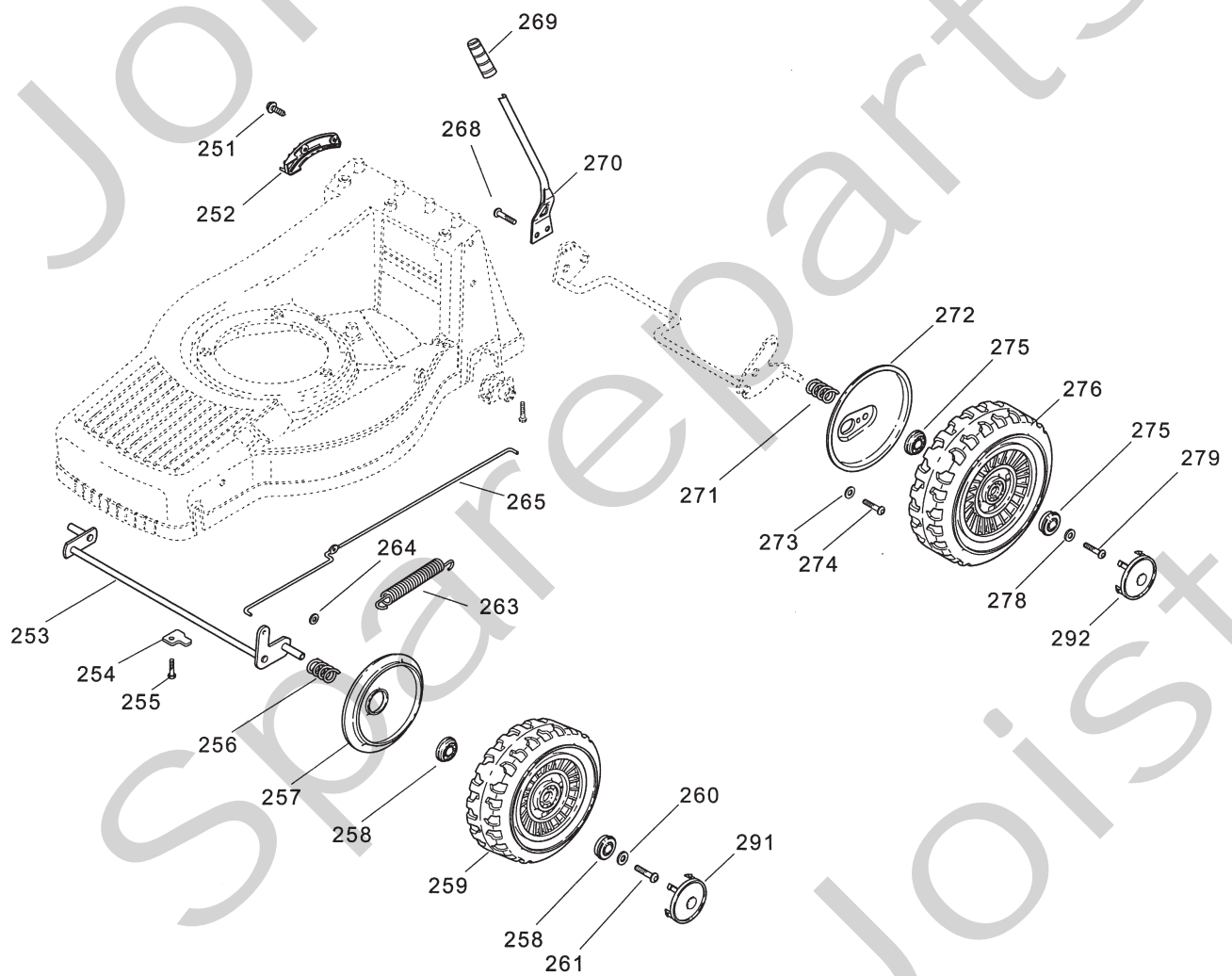
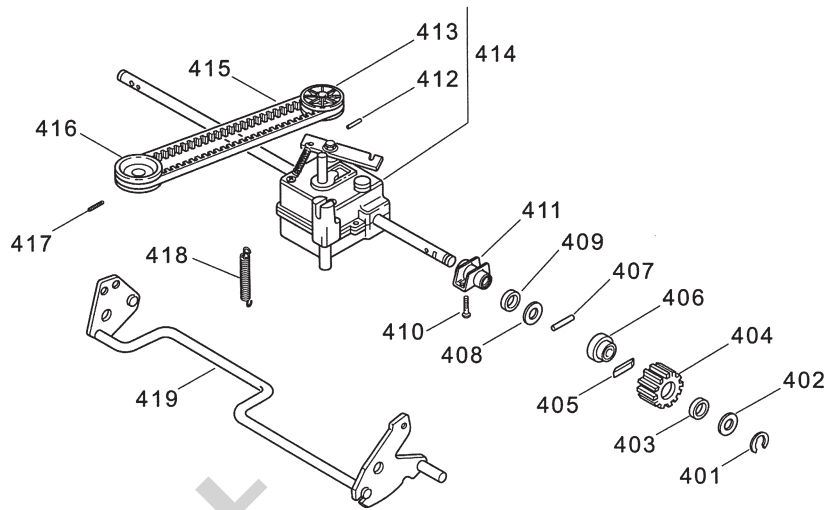
---



Spareparts  
Joist

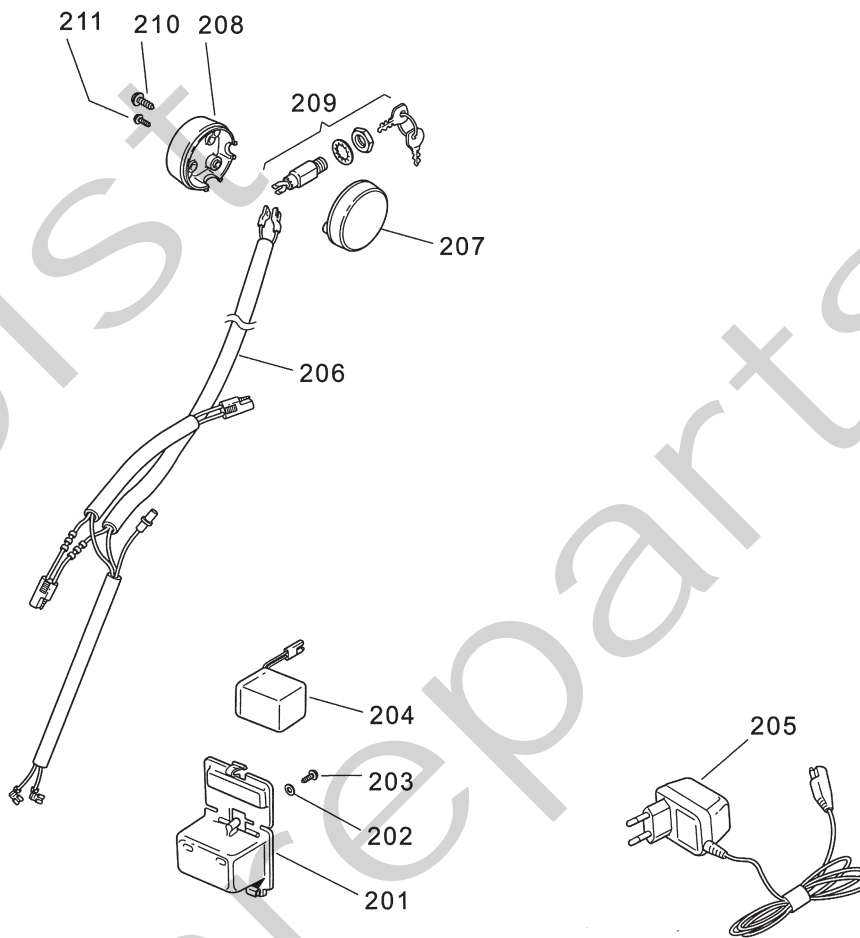


Utgåva Issue 2005- 12		Bildnr Picture No 1939		TURBO 48S COMBI TURBO 48SE COMBI CHASSI STYRE		TURBO 48S COMBI TURBO 48SE COMBI CHASSIS HANDLE		Sida Page 170
Pos. Fig.	Antal/Quantity			Art nr Part No	Benämning	Description	Sats Kit	Anmärkning Notes
	5286 -22 -42	5298 -22						
1	1	1		1111-3090-01	Chassi- gul.....	Chassis- yellow .....		
2	3	3		9955-3732-12	Skruv.....	Screw .....		
3	1	1		1111-2794-01	Täckåpa- gul.....	Cover- yellow .....		
4	3	3		9838-9522-12	Skruv.....	Screw .....		
5	1	1		1111-2793-01	Luckinfästning- gul.....	Flap attachm.- yellow .....		
6	3	3		9947-0616-16	Skruv.....	Screw .....		
7	1	1		1111-2792-01	Fjäder.....	Spring .....		
8	1	1		1111-3283-01	Lucka- gul.....	Flap- yellow .....		
9	1	1		1111-3024-01	Fästplatta.....	Attachment plate .....		
10	2	2		1111-3021-01	Styrinfästning.....	Handlebar attachment.....		
11	2	2		9699-0028-02	Planbricka.....	Flat washer.....		
12	2	2		9939-0820-16	Skruv.....	Screw .....		
13	2	2		9899-3557-12	Skruv.....	Screw .....		
14	4	4		9699-0028-02	Planbricka.....	Flat washer.....		
15	4	4		1111-3023-01	Låsrott.....	Locking knob .....		
16	4	4		9795-3531-02	Mutter.....	Nut .....		
17	1	1		1111-3428-01	Styre- underdel (sv).....	Handle- lower (black).....		
18	1	1		9838-9522-12	Skruv.....	Screw .....		
19	1	1		1111-3335-01	Bakstam.....	Rear attachment.....		
20	3	3		9947-0616-16	Skruv.....	Screw .....		
21	1	1		1111-3236-01	Hållare- vä.....	Attachment- LH.....		
22	4	4		9836-9520-12	Skruv.....	Screw .....		
23	1	1		1111-3237-01	Hållare- hö.....	Attachment- RH.....		
24	1	1		1111-2927-01	Batterihållare.....	Battery holder .....		
25	2	2		9899-3557-12	Skruv.....	Screw .....		
26	1	1		1111-3062-01	Ögla.....	Eyelink .....		
27	2	2		1111-0178-00	Förstärkning.....	Reinforcement.....		
28	1	1		9948-0640-16	Skruv.....	Screw .....		
29	1	1		1111-2969-01	Wirefäste.....	Cable attachment .....		
30	1	1		1111-3388-01	Kopplingswire.....	Clutch cable .....		
31	1	1		1111-2968-05	Motorbromswire.....	Engine brake cable .....		
33	1	1		9747-0631-02	Låsmutter.....	Lock nut.....		
34	1	1		1111-3461-01	Styre- överdel (svart).....	Handle- upper (black).....		
35	1	1		1111-2953-01	Manöverbygel.....	Control handle.....		
36	1	1		1111-2954-01	Manöverbygel.....	Control handle.....		
38	1	1		1111-2018-01	Kabelhållare.....	Cable holder .....		
39	1	1		9836-9216-12	Skruv.....	Screw .....		
40	1	1		1111-3569-01	Tillbehörspåse.....	Accessory bag.....		
45	1	1		1111-3333-01	Mulcherplugg.....	Mulch plug .....		
501	1	1		1111-9070-01	Knivfäste.....	Blade holder .....		
502	1	1		1111-9090-01	Kniv.....	Blade .....		
503	1	1		9696-0011-01	Bricka.....	Washer.....		
504	1	1		9987-5251-12	Skruv.....	Screw .....		
505	1	1		9600-0014-00	Kil.....	Key.....		
551	1	1		1111-2840-01	Uppsamlarlock- gul.....	Top collector- yellow .....		
552	1	1		1111-2764-01	• Täckbricka.....	• Cover.....		
561	2	2		9699-0100-02	Bricka.....	Washer.....		
562	2	2		9838-9522-12	Skruv.....	Screw .....		
563	1	1		1111-2843-01	Trådbygel.....	Wire clamp.....		
564	1	1		1111-2844-01	Uppsamlingsäck- svart.....	Collecting bag- black.....		



Utgåva Issue		Bildnr Picture No		TURBO 48S COMBI TURBO 48SE COMBI TRANSMISSION HJULUPPHÄNGNING		TURBO 48S COMBI TURBO 48SE COMBI TRANSMISSION WHEEL SUSPENSION		Sida Page
2005- 12		1935						172
Pos. Fig.	Antal/Quantity			Art nr Part No	Benämning	Description	Sats Kit	Anmärkning Notes
	5286 -22 -42	5298 -22						
251	2	2		9838-9522-12	Skruv .....	Screw .....		
252	1	1		1111-2798-01	Höjdinst. segment .....	Height adj. quadrant .....		
253	1	1		1111-3466-01	Framaxel .....	Front axle .....		
254	2	2		1111-1504-01	Överfall .....	Retainer .....		
255	2	2		9947-0616-16	Skruv .....	Screw .....		
256	2	2		1111-1138-01	Fjäder .....	Spring .....		
257	2	2		1111-2785-01	Täckbricka .....	Wheel cover .....		
258	2	2		1111-3296-01	• Kullager .....	• Ball bearing .....		
259	2	2		1111-2784-01	Hjul kpl .....	Wheel assy .....		Inkl. pos 258
260	2	2		9699-0100-02	Bricka .....	Washer .....		
261	2	2		9943-0612-16	Skruv .....	Screw .....		
263	1	1		1111-2819-01	Fjäder .....	Spring .....		
264	2	2		9675-0011-00	Starlock .....	Starlock .....		
265	1	1		1111-2818-01	Dragstång .....	Height adj. rod .....		
268	2	2		9943-0610-16	Skruv .....	Screw .....		
269	1	1		1111-2817-01	Handtag .....	Lever knob .....		
270	1	1		1111-2816-01	Spak .....	Height adj. lever .....		
271	2	2		1111-3060-01	Fjäder .....	Spring .....		
272	2	2		1111-3395-01	Täckplåt .....	Cover plate .....		
273	2	2		9699-0060-02	Planbricka .....	Flat washer .....		
274	2	2		9943-0610-16	Skruv .....	Screw .....		
275	2	2		1111-3296-01	• Kullager .....	• Ball bearing .....		
276	2	2		1111-2665-01	Hjul kpl .....	Wheel assy .....		Inkl. pos 275
278	2	2		9699-0100-02	Bricka .....	Washer .....		
279	2	2		9943-0612-16	Skruv .....	Screw .....		
291	2	2		1111-3443-01	Navkapsel- silver .....	Hub cap- silver .....		
292	2	2		1111-3444-01	Navkapsel- silver .....	Hub cap- silver .....		
401	2	2		9652-0010-04	Låsring .....	Snap ring .....		
402	2	2		9695-0013-00	Bricka .....	Washer .....		
403	2	2		1111-2830-01	Stödbricka .....	Support washer .....		
404	2	2		1111-3075-01	Kuggjul- plasthjul .....	Pinion- plastic wheel .....		
405	2	2		1111-3256-01	Drivkil .....	Drive key .....		
406	2	2		1111-2829-01	Låsbricka .....	Lock washer .....		
407	2	2		1111-2382-01	Cyl. pinne .....	Pin .....		
408	2	2		9695-0013-00	Bricka .....	Washer .....		
409	2	2		9404-0083-00	Tätningring .....	Seal ring .....		
410	4	4		9947-0616-16	Skruv .....	Screw .....		
411	2	2		1111-2814-01	Bussning .....	Bushing .....		
412	1	1		9595-0235-00	• Spännstift .....	• Locating pin .....		
413	1	1		1111-3440-01	• Remskiva .....	• Belt pulley .....		
414	1	1		1111-3401-02	Transmission kpl .....	Transmission assy .....		Inkl. pos 412 - 413
415	1	1		1111-9061-01	Drivrem .....	V- belt .....		
416	1	1		1111-2915-01	Motorremskiva .....	Engine belt pulley .....		
417	1	1		9910-0612-16	Stoppskruv .....	Set screw .....		
418	1	1		1111-2822-01	Dragfjäder .....	Tension spring .....		
419	1	1		1111-2808-01	Bakaxel .....	Rear axle .....		

X



Utgåva Issue		Bildnr Picture No		TURBO 48SE ELSTART		TURBO 48SE ELECTRIC STARTER		Sida Page	
2005-12		1940						174	
Pos. Fig.	Antal/Quantity			Art nr Part No	Benämning	Description	Sats Kit	Anmärkning Notes	
	5298 -22								
X 201	1			1111-3339-01	Batteribox .....	Battery holder .....			
202	1			9699-0060-02	Planbricka .....	Flat washer .....			
203	1			9836-9216-12	Skruv .....	Screw .....			
204	1			1136-1320-01	Batteri .....	Battery .....			
205	1			1136-1321-01	Batteriladdare .....	Charger .....			
206	1			1136-1815-01	Kablage .....	Harness .....			
207	1			1111-2021-01	Lock .....	Cover .....			
208	1			1111-2020-01	Hus .....	Housing .....			
209	1			9400-0186-00	Tändningslås kpl. ....	Starting switch assy .....			
209A	1			1134-2848-01	• Tändningsnyckel .....	• Ignition key .....			
210	2			9838-9540-12	Skruv .....	Screw .....			
211	1			9836-9216-12	Skruv .....	Screw .....			