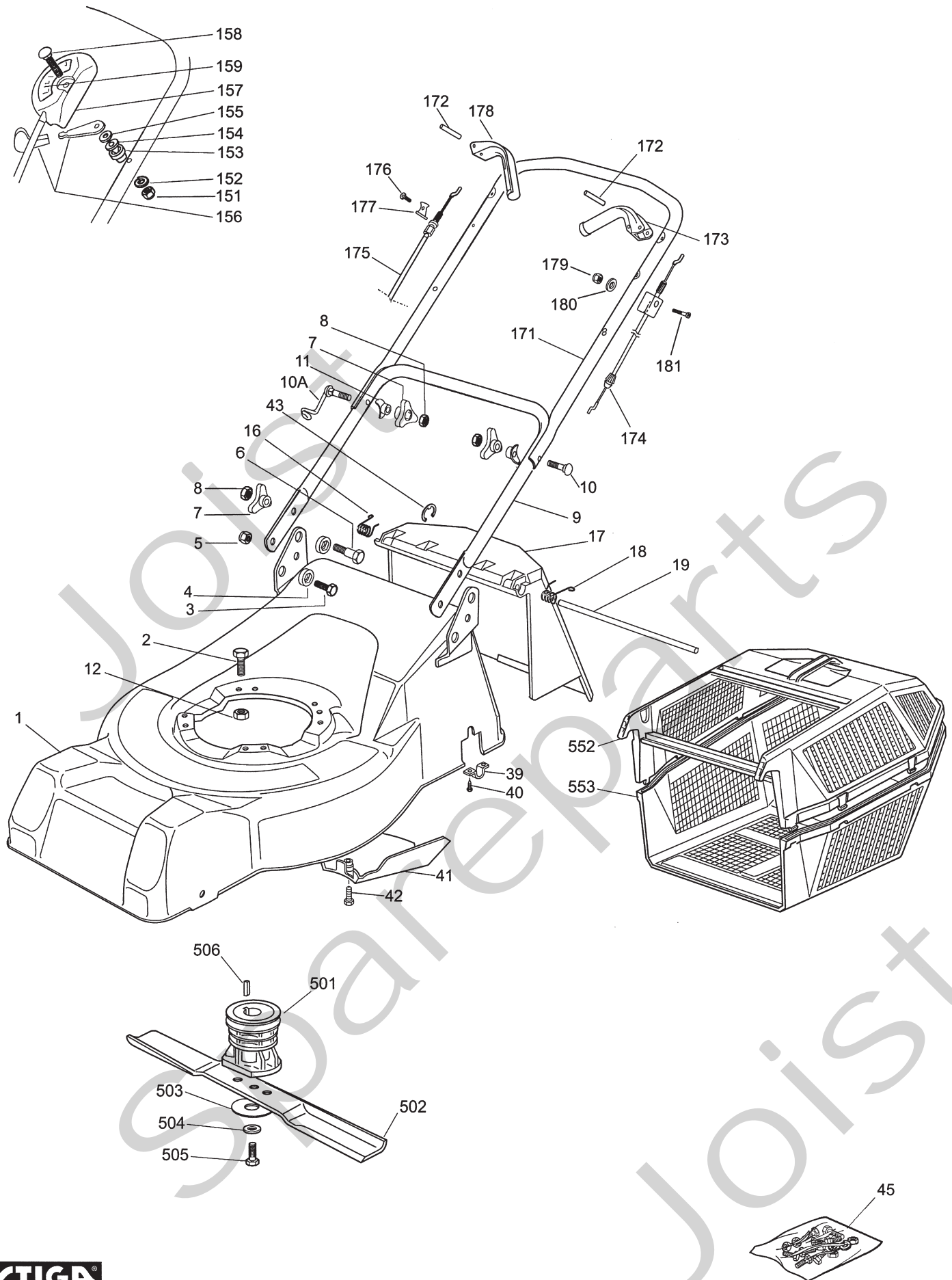


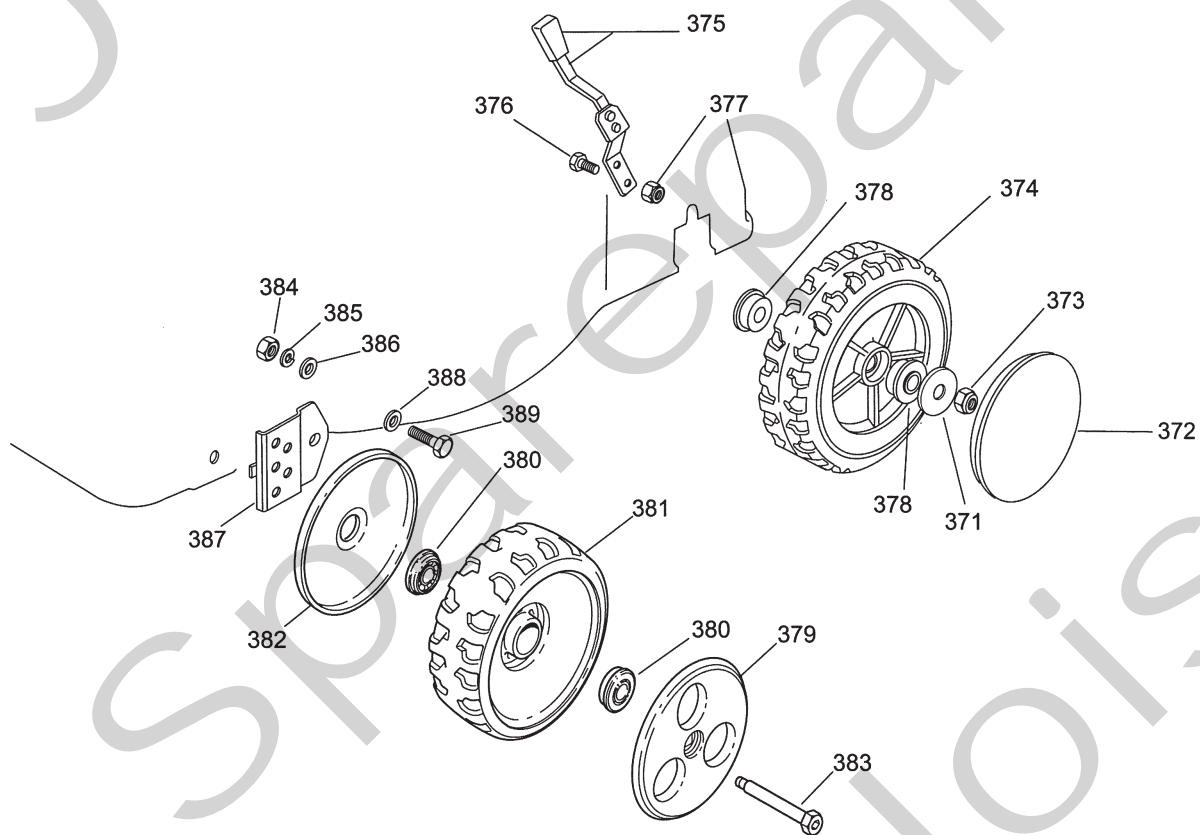
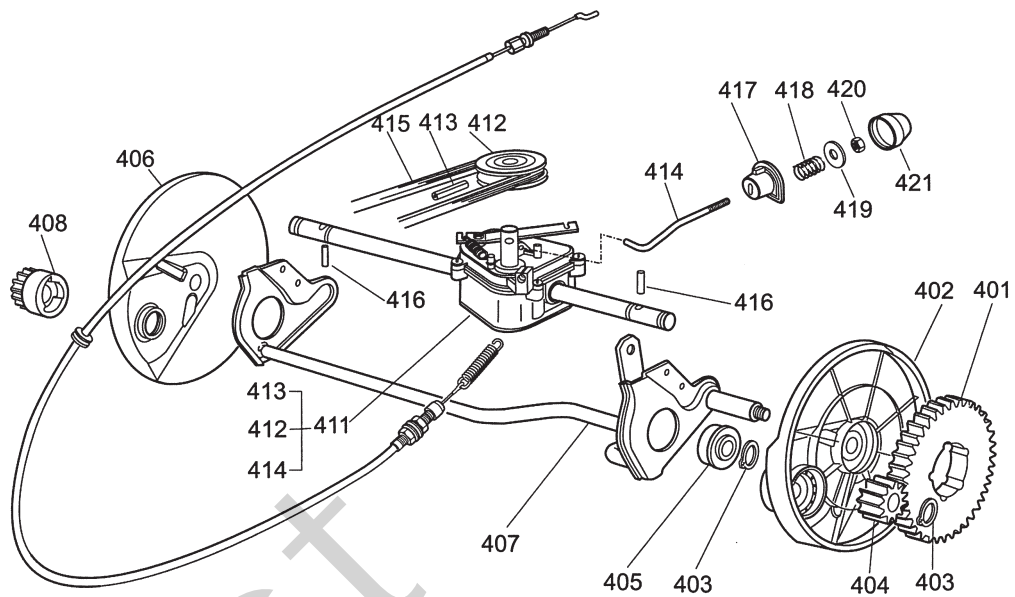
Genuine Spare Parts



Joist
Spareparts
Joist



Utgåva Issue		Bildnr Picture No		MAJOR COLLECTOR 44S CHASSI STYRE		MAJOR COLLECTOR 44S CHASSIS HANDLE		Sida Page	
2005-12		1958						120	
Pos. Fig.	Antal/Quantity			Art nr Part No	Benämning	Description	Sats Kit	Anmärkning Notes	
	0634 -11								
X	1	1		1136-1916-01	Kåpa-röd	Deck-red			
	2	3/2		9997-0830-16	Skruv	Screw		L = 30 mm	
	2	0/1		9997-0860-16	Skruv	Screw		L = 60 mm	
	3	2		9997-0816-16	Skruv	Screw			
	4	4		1111-3554-01	Bussning	Bushing			
	5	2		9747-0831-02	Mutter	Lock nut			
	6	2		1136-0617-01	Skruv	Screw			
	7	4		1136-0666-01	Lås ratt	Knob			
	8	4		9799-0831-02	Mutter	Nut			
	9	1		1136-0758-01	Styre- underdel	Handle- lower			
	10	1		1136-0620-01	Skruv	Screw			
	10A	1		1136-0747-01	Skruv m. ögla	Screw w. loop			
	11	2		1136-0693-01	Bricka	Washer			
	12	3/2		9739-0831-22	Mutter	Nut			
	12	0/1		9747-0831-02	Mutter	Lock nut			
	16	1		1111-3530-01	Fjäder- hö	Spring- RH			
	17	1		1136-0686-01	Lucka	Stone guard			
	18	1		1111-3531-01	Fjäder- vä	Spring- LH			
	19	1		1136-0680-01	Pivotaxel	Pivot pin			
	39	2		1136-0682-01	Bygel	Plate			
	40	4		9847-8119-16	Skruv	Screw			
X	41	1		1136-1599-01	Remskydd	Belt protection			
	42	1		1136-0614-01	Skruv	Screw			
	43	1		9652-0006-04	Spårryttare	Circlip			
X	45	1		1136-1632-01	Skruvsats	Screw outfit			
	151	1		1136-0604-01	Mutter	Nut			
	152	1		1136-0611-01	Låsbricka	Grower			
	153	1		1136-0659-01	Distans	Spacer			
	154	1		9699-0035-02	Planbricka	Flat washer			
	155	1		1136-0606-01	Fjäderbricka	Spring washer			
	156	1		1136-0766-01	Gasreglagearm	Throttle lever			
	157	1		1136-0764-01	Gaswire	Throttle cable			
	158	1		1136-0618-01	Skruv	Screw			
X	159	1		1136-1857-01	Dekal	Label			
X	171	1		1136-1629-01	Styre- överdel	Handle- upper			
	172	2		9595-0258-00	Spännstift	Locating pin			
	173	1		1117-3221-01	Manöverbygel	OPC lever			
X	174	1		1136-1915-01	Motorbromswire	Engine brake cable			
X	175	1		1136-1616-01	Kopplingswire	Drive cable			
X	176	1		1136-1591-01	Skruv	Screw			
X	177	1		1136-1613-01	Wirefäste	Cable support			
	178	1		1117-3222-01	Manöverbygel	Control lever			
	179	1		9799-0631-02	Mutter	Nut			
	180	1		9699-0025-02	Planbricka	Washer			
	181	1		9997-0635-12	Skruv	Screw			
	501	1		1136-0674-01	Knivfäste m.remskiva	Hub w. pulley			
X	502	1		1136-1628-01	Kniv	Blade			
	503	1		1136-0083-01	Fjäderbricka	Elastic washer			
	504	1		1136-0015-01	Bricka	Washer			
	505	1		9987-5251-12	Skruv	Screw			
	506	1		9600-0014-00	Kil	Key			
	552	1		1136-0676-01	Uppsamlingskorg- övre	Grass box- upper			
	553	1		1136-0677-01	Uppsamlingskorg- undre	Grass box- lower			



Utgåva Issue		Bildnr Picture No		MAJOR COLLECTOR 44S TRANSMISSION HJULUPPHÄNGNING	MAJOR COLLECTOR 44S TRANSMISSION WHEEL SUSPENSION	Sida Page		
2005-12		1959				122		
Pos. Fig.	Antal/Quantity			Art nr Part No	Benämning	Description	Sats Kit	Anmärkning Notes
	0634 -11							
X 371	2			9699-0056-02	Planbricka.....	Flat washer.....		
372	2			1136-1601-01	Navkapsel- vit	Hub cap- white		
373	2			9747-0831-02	Mutter.....	Lock nut.....		
374	2			1136-0772-01	Hjul.....	Wheel.....		
375	1			1136-0742-01	Höjinställningsspak	Height adjust lever		
376	2			9997-0512-16	Skruv.....	Screw.....		
377	2			9747-0531-02	Mutter.....	Nut.....		
378	4			1136-0655-01	Kullager	Ball bearing		
379	2			1117-3224-02	Navkapsel- vit	Hub cap- white		
380	4			1117-3012-01	Hjulbussning	Wheel bush		
381	2			1111-3163-01	Hjul.....	Wheel.....		
382	2			1117-1161-01	Hjulsköld	Wheel protection.....		
383	2			1117-3223-01	Ansatsbult	Shoulder bolt		
384	2			9799-0831-02	Mutter.....	Nut.....		
385	2			9683-0030-02	Låsbricka	Lock washer.....		
X 386	2			1136-0014-01	Bricka	Washer.....		
387	2			1136-1608-01	Hjulplåt	Wheel plate		
388	2			9699-0028-02	Planbricka.....	Flat washer.....		
389	2			9997-0820-16	Skruv.....	Screw.....		
401	2			1136-0653-01	Kuggkrans	Ring gear		
402	1			1136-0690-01	Hjulskydd- vä	Wheel protection- LH		
403	4			9650-0012-04	Seegersäkring.....	Circlip.....		
404	1			1136-0685-01	Drev- vä	Pinion- LH		
405	2			1136-0632-01	Lager	Bearing.....		
406	1			1136-0689-01	Hjulskydd- hö.....	Wheel protection- RH.....		
407	1			1136-0713-01	Bakaxel	Rear wheel axle		
408	1			1136-0684-01	Drev- hö.....	Pinion- RH.....		
411	1			1136-1457-01	Transmission kpl (grå).....	Gearbox assy (grey).....		
412	1			1136-0692-01	• Remskiva.....	• Pulley.....		
413	1			1136-0612-01	• Stift.....	• Pin.....		
414	1			1136-0633-01	• Justerstång.....	• Adjustment rod		
X 415	1			1136-1614-01	Drivrem	Belt.....		
416	2			1136-0697-01	Stift.....	Pin		
417	1			1136-0638-01	Bussning	Bush.....		
418	1			1136-0668-01	Fjäder.....	Spring		
419	1			1136-0091-01	Bricka	Washer.....		
420	1			9747-0631-02	Låsmutter	Lock nut.....		
421	1			1136-0081-01	Navkapsel	Hub cap.....		