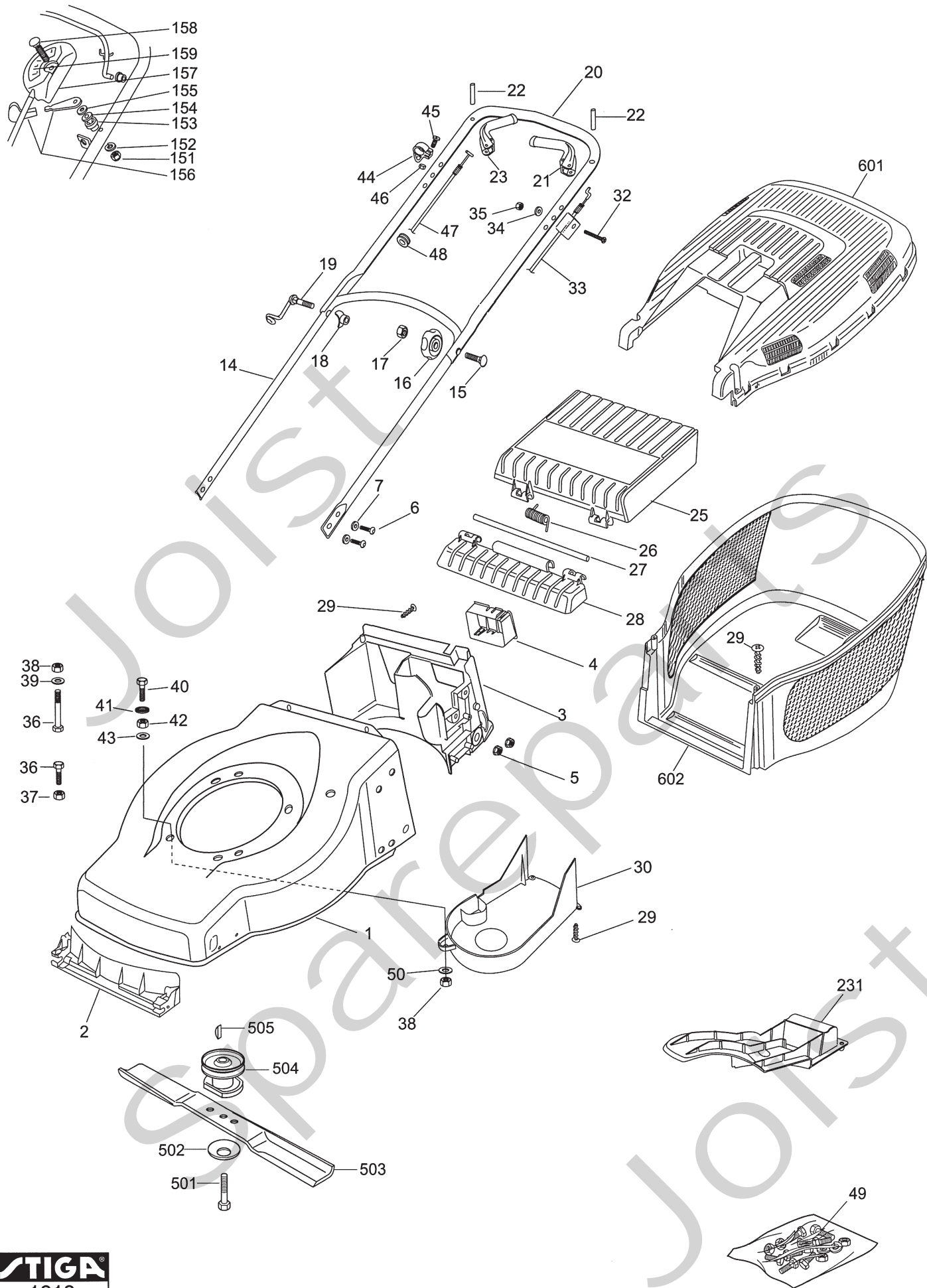


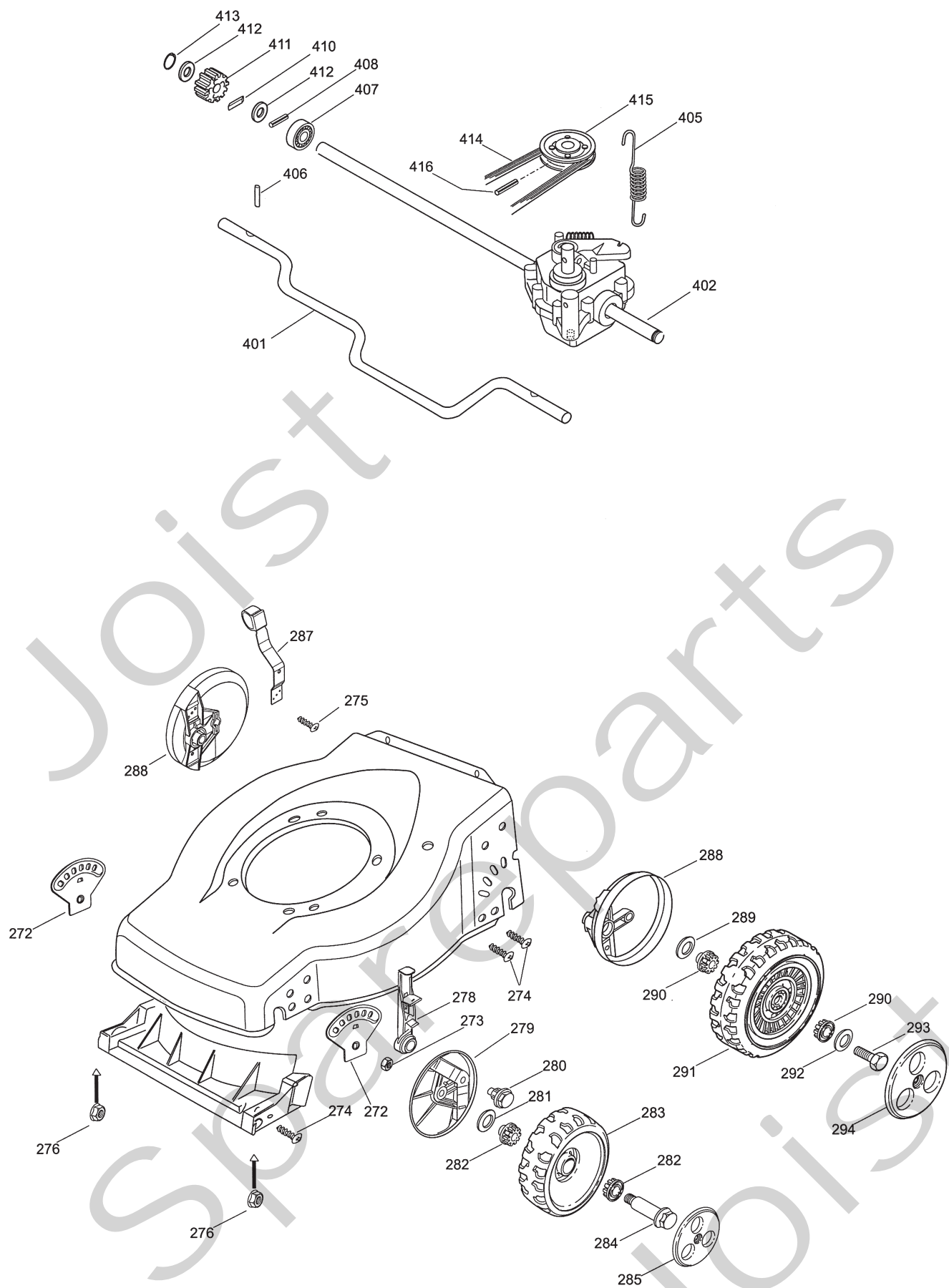
Genuine Spare Parts



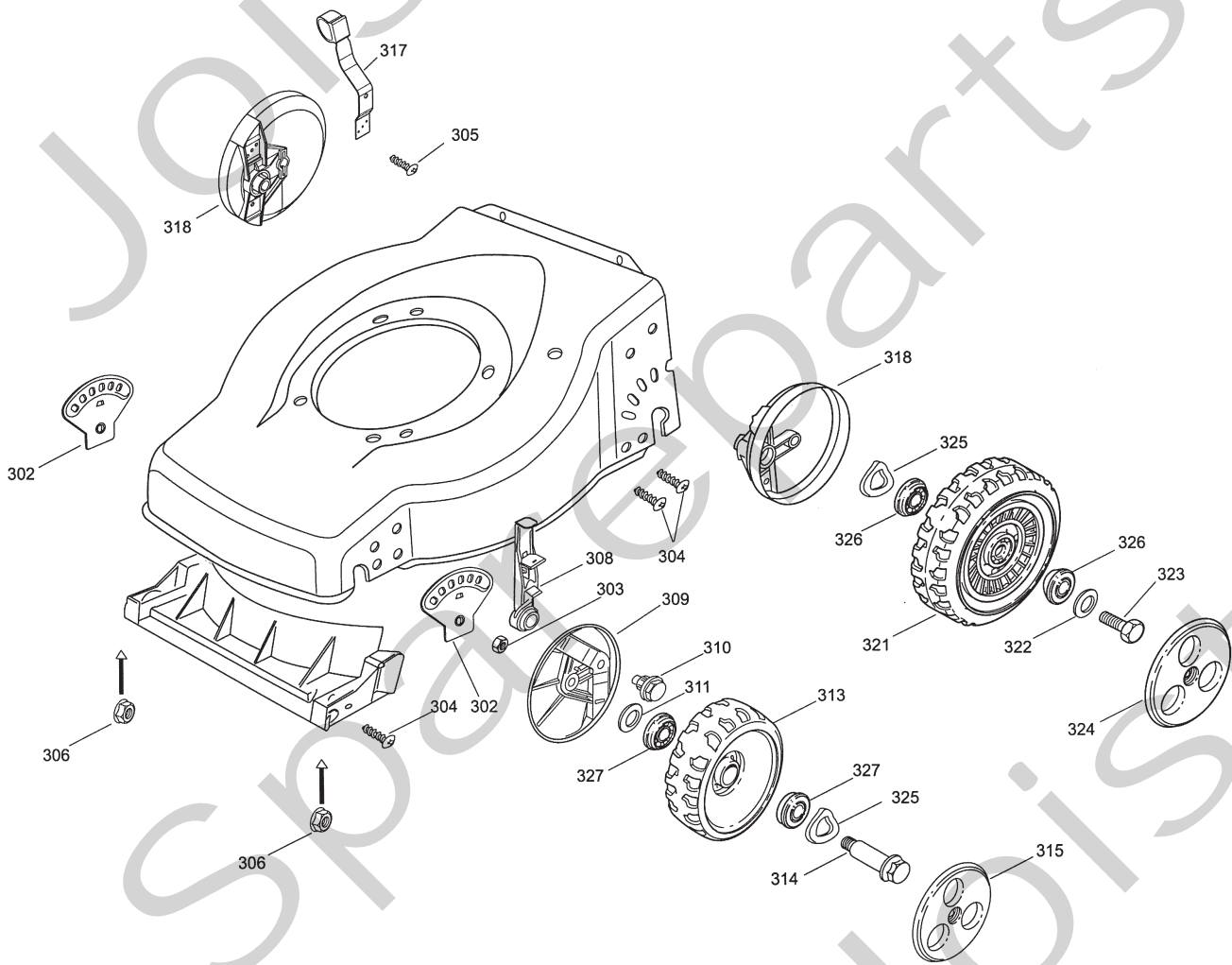
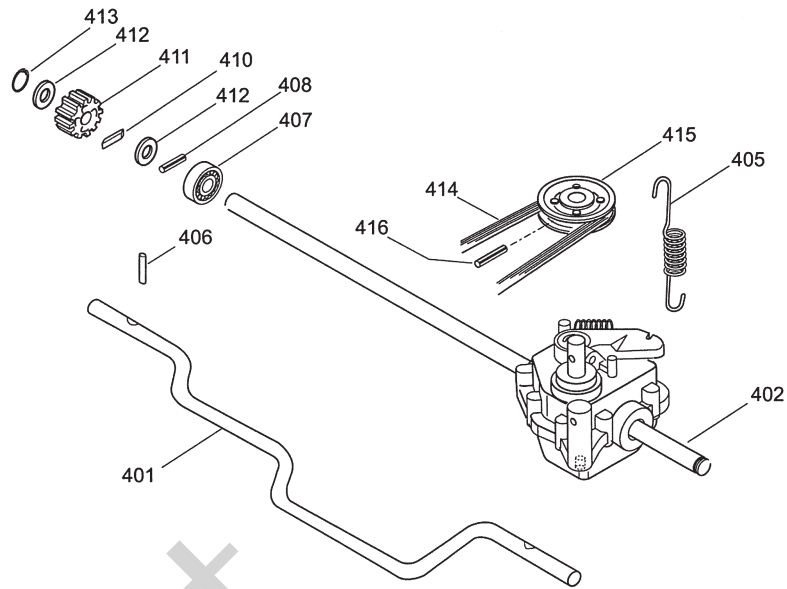
Joist
Spareparts
Joist



Utgåva Issue		Bildnr Picture No				EURO 45S COLLECTOR 45S STARCLIPPER 45S CHASSI		EURO 45S COLLECTOR 45S STARCLIPPER 45S CHASSIS		Sida Page
2005-12		1918								98
Pos. Fig.	Antal/Quantity				Art nr Part No	Benämning	Description	Sats Kit	Anmärkning Notes	
	3581 -21	3581 3881 -11 -21	3803 -31 3881 -31	3881 -61						
1	1	1	1	1	1117-1308-01	Kåpa- gul	Deck- yellow			
1				1	1117-3263-02	Kåpa- röd	Deck- red			
2	1	1	1	1	1117-3007-01	Ledplåt- främre	Baffle- front			
3	1	1	1	1	1117-3008-01	Ledplåt- bakre	Baffle- rear			
4	1	1	1	1	1111-2927-01	Batterihållare	Battery holder			
5	4	4	4	4	1117-1131-01	Flänsmutter	Nut			
6	4	4	4	4	1117-1364-01	Skruv	Screw			
7	4	4	4	4	9699-0028-02	Planbricka	Flat washer			
14	1	1	1	1	1136-1411-01	Styre- underdel	Handlebar- lower part			
15	1	1	1	1	1136-0620-01	Skruv	Screw			
16	2	2	2	2	1117-3194-01	Lås ratt	Locking knob			
17	2	2	2	2	9799-0831-02	Mutter	Nut			
18	2	2	2	2	1136-0693-01	Bricka	Washer			
19	1	1	1	1	1136-0747-01	Skruv m. ögla	Screw w. loop			
20	1	1	1	1	1136-1413-01	Styre- överdel	Handlebar- upper part			
21	1	1	1	1	1117-3221-01	Manöverbygel	OPC lever			
22	2	2	2	2	9595-0258-00	Spännstift	Locating pin			
23	1	1	1	1	1117-3222-01	Manöverbygel	Control lever			
25	1	1	1	1	1117-1156-01	Lucka- gul	Rear flap- yellow			
25				1	1117-1156-02	Lucka- svart	Rear flap- black			
26	1	1	1	1	1117-1126-01	Fjäder	Spring- rear flap			
27	1	1	1	1	1117-1143-01	Axel	Shaft			
28	1	1	1	1	1117-1155-01	Luckinfästning- gul	Flap holder- yellow			
28				1	1117-1155-02	Luckinfästning- svart	Flap holder- black			
29	6	6	6	6	9836-9516-12	Skruv	Screw			
30	1	1	1	1	1117-1147-01	Transmissionskåpa	Transmission cap			
32	1	1	1	1	9997-0635-12	Skruv	Screw			
33	1	1	1	1	1136-1405-01	Motorbromswire	Engine brake cable			
34	1	1	1	1	9699-0025-02	Planbricka	Washer			
35	1	1	1	1	9799-0631-02	Mutter	Nut			
36	2	2	2	2	9997-0830-16	Skruv	Screw			
37	1	1	1	1	9739-0831-22	Mutter	Nut			
38	2	2	2	2	9747-0831-02	Mutter	Lock nut			
39	1	1	1	1	9699-0028-02	Planbricka	Flat washer			
40	1	1	1	1	1136-1886-01	Skruv	Screw			
41	1	1	1	1	9678-0009-02	Låsbricka	Lock washer			
42	1	1	1	1	9799-0831-02	Mutter	Nut			
43	1	1	1	1	9699-0062-02	Planbricka	Flat washer			
44	1	1	1	1	1117-1114-01	Wirehållare	Support			
45	1	1	1	1	9865-0616-16	Skruv	Screw			
46	1	1	1	1	9799-0631-02	Mutter	Nut			
47	1	1	1	1	1136-1404-01	Kopplingswire	Clutch cable			
48	1	1	1	1	1136-0629-01	Kabelgenomföring	Fair lead			
49	1	1	1	1	1136-1415-01	Mont.sats	Assy kit			
50	1	1	1	1	1136-0309-01	Bricka	Washer			
151				1	1136-0604-01	Mutter	Nut			
152				1	1136-0611-01	Låsbricka	Grower			
153				1	1136-0659-01	Distans	Spacer			
154				1	9699-0035-02	Planbricka	Flat washer			
155				1	1136-0606-01	Fjäderbricka	Spring washer			
156				1	1136-0766-01	Gasreglagearm	Throttle lever			
157				1	1136-0764-01	Gaswire	Throttle cable			
158				1	1136-0618-01	Skruv	Screw			
159				1	1136-1884-01	Dekal	Label			
231		1			1117-3001-01	Mulcherplugg	Mulch plug		Ej/not 24-3881-21	
501	1	1	1	1	9987-5251-12	Skruv	Screw			
502	1	1	1	1	1117-1065-01	Tallriksbricka	Spring washer			
503	1	1	1	1	1111-9116-01	Kniv	Blade			
504	1	1	1	1	1111-9074-01	Knivfäste	Blade holder			
505	1	1	1	1	9600-0014-00	Kil	Key			
601	1	1	1		1117-1157-01	Uppsamlarlock- gul	Grassbag cover- yellow			
601				1	1117-1157-02	Uppsamlarlock- svart	Grassbag cover- black			
602	1	1	1	1	1117-1218-01	Uppsamlare- underdel	Lower grass bag			



Utgåva Issue		Bildnr Picture No				EURO 45S COLLECTOR 45S STARCLIPPER 45S HJULUPPHÄNGNING		EURO 45S COLLECTOR 45S STARCLIPPER 45S WHEEL SUSPENSION		Sida Page
2005-12		1919								100
Pos. Fig.	Antal/Quantity				Art nr Part No	Benämning	Description	Sats Kit	Anmärkning Notes	
	3581 -21	3881 -11 -21	3803 -31 3881 -31	3881 -61						
272	2	2	2	2	1117-1213-01	Hålplåt	Sector			
273	2	2	2	2	9747-0831-02	Mutter	Lock nut			
274	6	6	6	6	9836-9516-12	Skruv	Screw			
275	2	2	2	2	9836-9512-12	Skruv	Screw			
276	2	2	2	2	1117-1131-01	Flänsmutter	Nut			
278	2	2	2	2	1117-1228-01	Inställningsspak	Adjusting lever			
279	2	2	2	2	1117-1376-01	Hjulsköld	Wheel lever			
280	2	2	2	2	1117-1182-01	Ansatsbult	Shoulder bolt			
281	2	2	2	2	9699-0062-02	Planbricka	Flat washer			
282	4	4	4	4	1111-3165-01	Bussning	Bushing			
283	2	2	2	2	1111-3163-01	Hjul	Wheel			
284	2	2	2	2	1111-3164-01	Hjulbult	Wheel axle bolt			
285	2	2	2	2	1111-2804-01	Navkapsel- gul	Hub cap- yellow			
285				2	1111-2804-04	Navkapsel- röd	Hub cap- red			
287	1	1	1	1	1117-1174-01	Höjdställningsspak	Height adjust lever			
288	2	2	2	2	1117-3256-01	Hjulsköld	Wheel protection cap			
289	2	2	2	2	9699-0037-02	Bricka	Washer			
290	4	4	4	4	1111-1273-01	Bussning	Bushing			
291	2	2	2	2	1111-2663-01	Hjul	Wheel			
292	2	2	2	2	9699-0085-02	Planbricka	Flat washer			
293	2	2	2	2	1136-1397-01	Skruv	Screw			
294	2	2	2	2	1111-2815-01	Navkapsel- gul	Hub cap- yellow			
294				2	1111-2815-04	Navkapsel- röd	Hub cap- red			
401	1	1	1	1	1117-1160-01	Bakaxel	Shaft- backside			
402	1	1	1	1	1136-1408-01	Transmission kpl	Transmission assy			
405	1	1	1	1	1117-1120-01	Fjäder	Spring			
406	2	2	2	2	9595-0212-00	Spännstift	Locating pin			
407	2	2	2	2	9549-0053-00	Kullager	Ball bearing			
408	2	2	2	2	9591-0011-00	Stift	Pin			
410	2	2	2	2	1111-3256-01	Drivkil	Drive key			
411	2	2	2	2	1111-3075-01	Kuggjul- plastjul	Pinion- plastic wheel			
412	4	4	4	4	1111-2830-01	Stödbricka	Support washer			
413	2	2	2	2	1117-1083-01	Låsring	Safety ring			
414	1	1	1	1	1111-9114-01	Drivrem	Drive belt			
415	1	1	1	1	1117-3018-01	Remskiva	Pulley			
416	1	1	1	1	1136-0612-01	Stift	Pin			



Utgåva Issue		Bildnr Picture No		COLLECTOR 45S HJULUPPHÄNGNING	COLLECTOR 45S WHEEL SUSPENSION	Sida Page		
2005-12		1920				102		
Pos. Fig.	Antal/Quantity			Art nr Part No	Benämning	Description	Sats Kit	Anmärkning Notes
	3581 -91							
302	2			1117-1213-01	Hålplåt	Sector		
303	2			9747-0831-02	Mutter	Lock nut		
304	6			9836-9516-12	Skruv	Screw		
305	2			9836-9512-12	Skruv	Screw		
306	2			1117-1131-01	Flänsmutter	Nut		
308	2			1117-1228-01	Inställningsspak.....	Adjusting lever		
309	2			1117-1376-01	Hjulsköld	Wheel lever		
310	2			1117-1182-01	Ansatsbult	Shoulder bolt		
311	2			9699-0062-02	Planbricka.....	Flat washer.....		
313	2			1111-3163-01	Hjul.....	Wheel.....		
314	2			1111-3164-01	Hjulbult	Wheel axle bolt.....		
315	2			1111-2804-01	Navkapsel- gul	Hub cap- yellow.....		
317	1			1117-1174-01	Höjdställningsspak	Height adjust lever		
318	2			1117-3256-01	Hjulsköld	Wheel protection cap		
321	2			1111-2665-01	Hjul kpl	Wheel assy		Inkl. pos 326
322	2			9699-0085-02	Planbricka.....	Flat washer.....		
323	2			1136-1397-01	Skruv	Screw		
324	2			1111-2815-01	Navkapsel- gul	Hub cap- yellow.....		
325	4			9694-0003-00	Bricka	Washer.....		
326	2			1111-3296-01	• Kullager	• Ball bearing		
327	4			9549-0053-00	Kullager	Ball bearing		
401	1			1117-1160-01	Bakaxel	Shaft-backside.....		
402	1			1136-1408-01	Transmission kpl	Transmission assy		
405	1			1117-1120-01	Fjäder	Spring		
406	2			9595-0212-00	Spännstift	Locating pin		
407	2			9549-0053-00	Kullager	Ball bearing		
408	2			9591-0011-00	Stift.....	Pin		
410	2			1111-3256-01	Drivkil	Drive key		
411	2			1111-3075-01	Kuggjul- plasthjul.....	Pinion- plastic wheel		
412	4			1111-2830-01	Stödbricka	Support washer.....		
413	2			1117-1083-01	Låsring	Safety ring		
414	1			1111-9114-01	Drivrem	Drive belt.....		
415	1			1117-3018-01	Remskiva.....	Pulley		
416	1			1136-0612-01	Stift.....	Pin		