

# Genuine Spare Parts

---

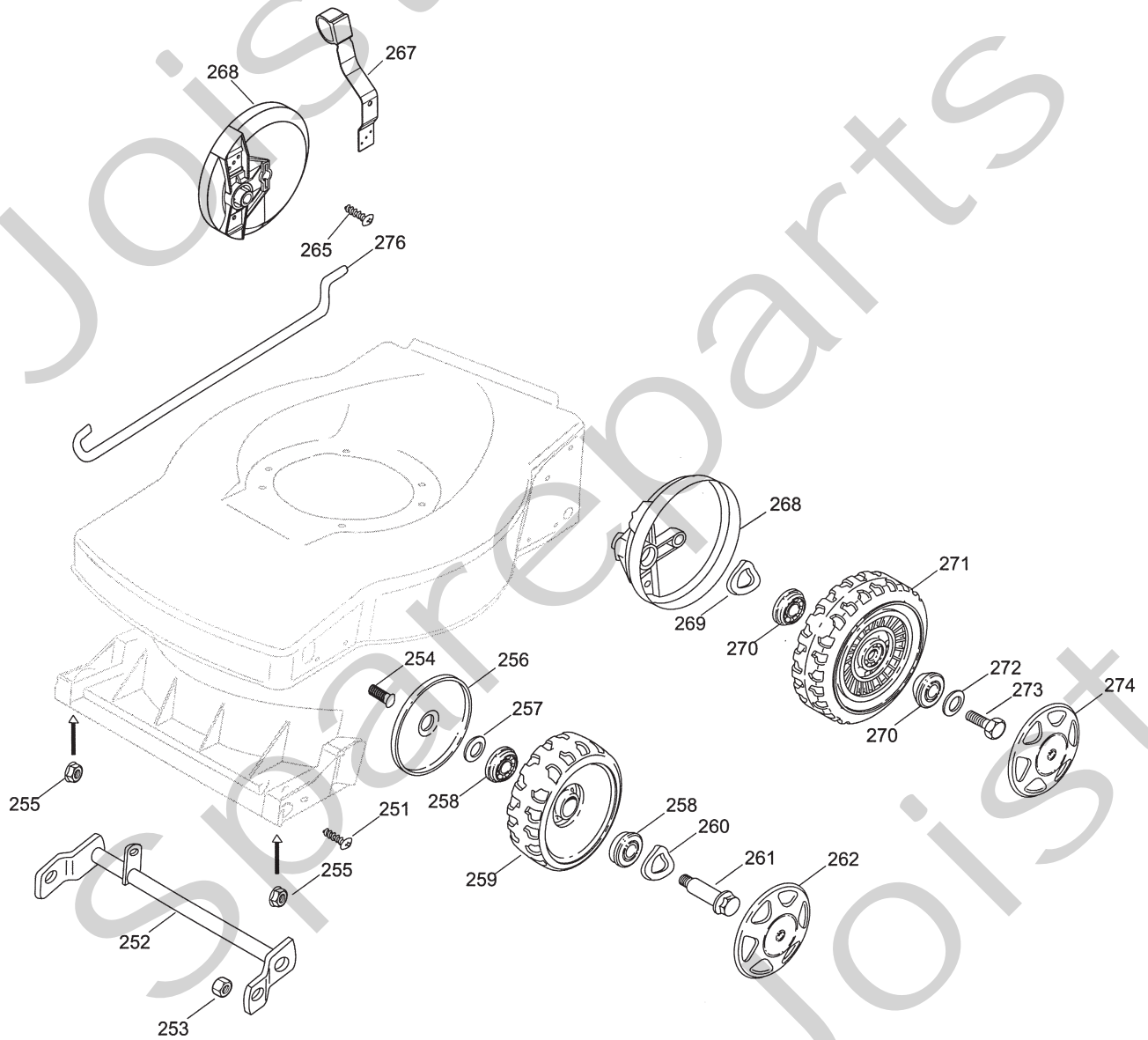
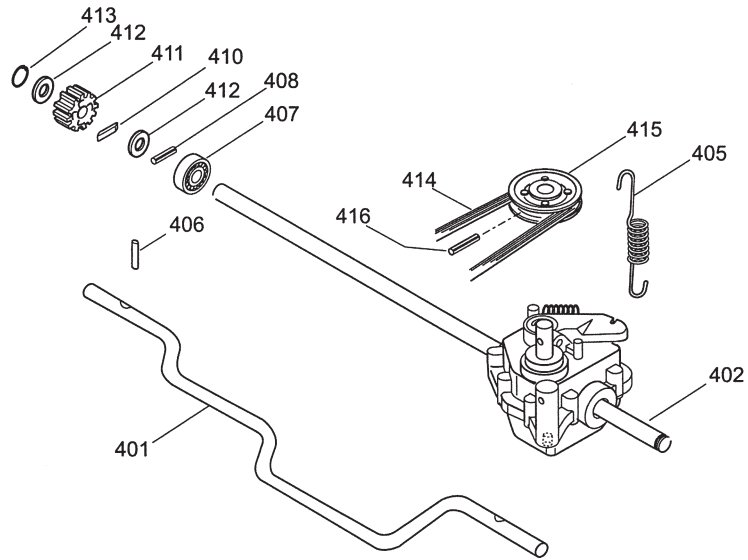


Spareparts  
Joist



Utgåva Issue		Bildnr Picture No		COMBI 45S CHASSI STYRE	COMBI 45S CHASSIS HANDLE	Sida Page		
2005- 12		1922				108		
Pos. Fig.	Antal/Quantity			Art nr Part No	Benämning	Description	Sats Kit	Anmärkning Notes
	2881 -51							
1	1			1117-3356-02	Kåpa-grå .....	Deck- grey .....		
2	1			1117-3007-01	Ledplåt-främre .....	Baffle-front .....		
3	1			1117-3008-01	Ledplåt-bakre .....	Baffle-rear .....		
4	1			1111-2927-01	Batterihållare .....	Battery holder .....		
5	4			1117-1131-01	Flänsmutter .....	Nut .....		
6	4			1117-1364-01	Skruv .....	Screw .....		
7	4			9699-0028-02	Planbricka .....	Flat washer .....		
8	1			1117-1340-01	Styrfäste-vä .....	Handle support- L.H. ....		
9	1			1117-1341-01	Styrfäste-hö .....	Handle support- R.H. ....		
10	2			9898-0835-12	Skruv .....	Screw .....		
11	2			9699-0078-02	Bricka .....	Washer .....		
12	2			1117-3194-01	Lås ratt .....	Locking knob .....		
13	2			9799-0831-02	Mutter .....	Nut .....		
14	1			1136-1412-01	Styre- underdel .....	Handlebar- lower part .....		
15	1			1136-0620-01	Skruv .....	Screw .....		
16	2			1117-3194-01	Lås ratt .....	Locking knob .....		
17	2			9799-0831-02	Mutter .....	Nut .....		
18	2			1136-0693-01	Bricka .....	Washer .....		
19	1			1136-0747-01	Skruv m. ögla .....	Screw w. loop .....		
25	1			1117-1156-01	Lucka- gul .....	Rear flap- yellow .....		
26	1			1117-1126-01	Fjäder .....	Spring- rear flap .....		
27	1			1117-1143-01	Axel .....	Shaft .....		
28	1			1117-3351-01	Chassikåpa- gul .....	Deck cover- yellow .....		
29	2			9836-9516-12	Skruv .....	Screw .....		
30	1			1117-1147-01	Transmissionskåpa .....	Transmission cap .....		
31	2			9836-9516-12	Skruv .....	Screw .....		
32	4			9836-9525-12	Skruv .....	Screw .....		
33	1			1117-3352-01	Motorkåpa- gul .....	Motor cover- yellow .....		
34	1			1117-3373-01	Stöd .....	Support .....		
36	2			9997-0830-16	Skruv .....	Screw .....		
37	1			9739-0831-22	Mutter .....	Nut .....		
38	2			9747-0831-02	Mutter .....	Lock nut .....		
39	1			9699-0028-02	Planbricka .....	Flat washer .....		
40	1			1136-1886-01	Skruv .....	Screw .....		
41	1			9678-0009-02	Låsbricka .....	Lock washer .....		
42	1			9799-0831-02	Mutter .....	Nut .....		
43	1			9699-0062-02	Planbricka .....	Flat washer .....		
49	1			1136-1415-01	Mont.sats .....	Assy kit .....		
50	1			1136-0309-01	Bricka .....	Washer .....		
102	1			1136-1409-01	Manöverbygel .....	Control lever .....		
103	1			1136-1414-01	Styre-överdel .....	Handlebar- upper part .....		
104	1			1117-3221-01	Manöverbygel .....	OPC lever .....		
105	1			9595-0258-00	Spännstift .....	Locating pin .....		
106	1			9997-0635-12	Skruv .....	Screw .....		
107	1			9699-0025-02	Planbricka .....	Washer .....		
108	1			1136-1512-01	Motorbromswire .....	Engine brake cable .....		
109	1			9799-0631-02	Mutter .....	Nut .....		
110	1			1117-1114-01	Wirehållare .....	Support .....		
111	1			9865-0616-16	Skruv .....	Screw .....		
112	1			9799-0631-02	Mutter .....	Nut .....		
113	1			1136-1407-01	Kopplingswire .....	Clutch cable .....		
114	1			1136-1399-01	Kabelhylsa .....	Cable protector .....		
231	1			1117-3001-01	Mulcherplugg .....	Mulch plug .....		
501	1			9987-5251-12	Skruv .....	Screw .....		
502	1			1117-1065-01	Tallriksbricka .....	Spring washer .....		
503	1			1111-9116-01	Kniv .....	Blade .....		
504	1			1111-9074-01	Knivfäste .....	Blade holder .....		
505	1			9600-0014-00	Kil .....	Key .....		
601	1			1117-1157-01	Uppsamlarlock- gul .....	Grassbag cover- yellow .....		
602	1			1117-1218-01	Uppsamlare- underdel .....	Lower grass bag .....		
603	2			9836-9516-12	Skruv .....	Screw .....		

X



Utgåva Issue		Bildnr Picture No		COMBI 45S TRANSMISSION HJULUPPHÄNGNING		COMBI 45S TRANSMISSION WHEEL SUSPENSION		Sida Page	
2005- 12		1923						110	
Pos. Fig.	Antal/Quantity			Art nr Part No	Benämning	Description	Sats Kit	Anmärkning Notes	
	2881 -51								
251	8			9836-9516-12	Skruv .....	Screw .....			
252	1			1117-1334-01	Framaxel .....	Front shaft.....			
253	2			9747-0831-02	Mutter .....	Lock nut .....			
254	2			9939-0816-16	Skruv .....	Screw .....			
255	2			1117-1131-01	Flänsmutter .....	Nut .....			
256	2			1117-1161-01	Hjulsköld .....	Wheel protection .....			
257	2			9699-0078-02	Bricka .....	Washer .....			
258	4			9549-0053-00	Kullager .....	Ball bearing .....			
259	2			1111-3163-01	Hjul .....	Wheel .....			
260	2			9694-0003-00	Bricka .....	Washer .....			
261	2			1111-3164-01	Hjulbult .....	Wheel axle bolt.....			
262	2			1111-3084-01	Navkapsel- gul .....	Hub cap-yellow.....			
265	2			9836-9512-12	Skruv .....	Screw .....			
267	1			1117-1174-01	Höjdställningsspak .....	Height adjust lever .....			
268	2			1117-3256-01	Hjulsköld .....	Wheel protection cap .....			
269	2			9694-0003-00	Bricka .....	Washer .....			
270	2			1111-3296-01	• Kullager .....	• Ball bearing .....			
271	2			1111-2665-01	Hjul kpl .....	Wheel assy.....		Inkl. pos 270	
272	2			9699-0085-02	Planbricka.....	Flat washer.....			
273	2			1136-1397-01	Skruv .....	Screw .....			
274	2			1111-3085-01	Navkapsel- gul .....	Hub cap-yellow.....			
276	1			1117-1130-01	Höjdställningsstag .....	Connection rod .....			
401	1			1117-1173-01	Bakaxel .....	Shaft- backside.....			
402	1			1136-1408-01	Transmission kpl .....	Transmission assy .....			
405	1			1117-1120-01	Fjäder.....	Spring .....			
406	2			9595-0212-00	Spännstift .....	Locating pin .....			
407	2			9549-0053-00	Kullager .....	Ball bearing .....			
408	2			9591-0011-00	Stift.....	Pin .....			
410	2			1111-3256-01	Drivkil .....	Drive key .....			
411	2			1111-3075-01	Kuggjul- plasthjul.....	Pinion- plastic wheel .....			
412	4			1111-2830-01	Stödbricka .....	Support washer.....			
413	2			1117-1083-01	Låsring .....	Safety ring.....			
414	1			1111-9114-01	Drivrem .....	Drive belt.....			
415	1			1117-3018-01	Remskiva .....	Pulley .....			
416	1			1136-0612-01	Stift.....	Pin .....			