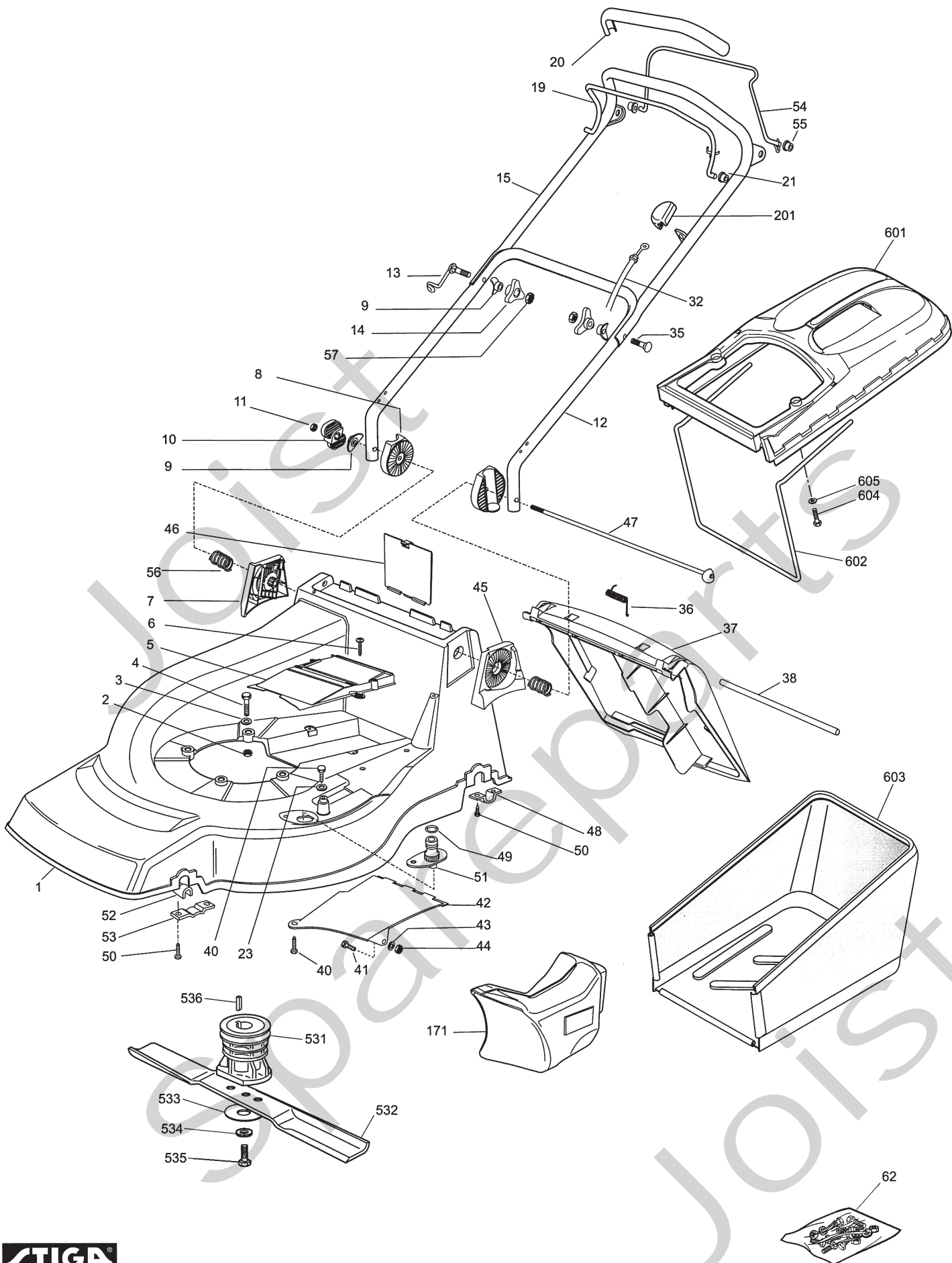


# Genuine Spare Parts

---

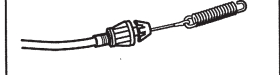
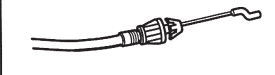


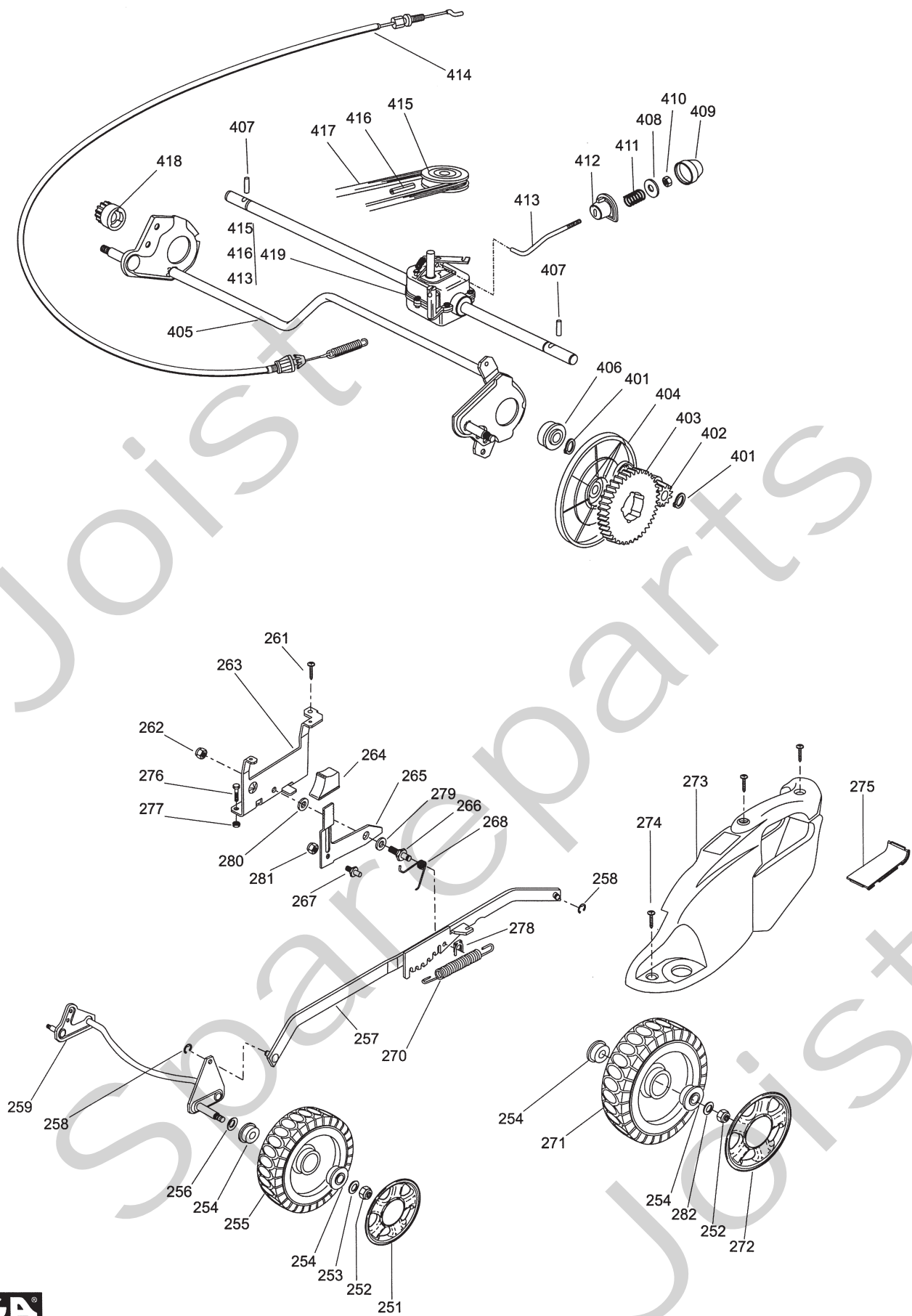
Spareparts  
Joist



**STIGA**  
1976  
SPARE PARTS

Utgåva Issue		Bildnr Picture No		COLLECTOR 50S COMBI CHASSI STYRE		COLLECTOR 50S COMBI CHASSIS HANDLE		Sida Page
2005-12		1976						148
Pos. Fig.	Antal/Quantity			Art nr Part No	Benämning	Description	Sats Kit	Anmärkning Notes
	0286							
X	1	1		1136-1957-01	Chassi- gul.....	Chassis- yellow .....		
	2	3		9747-0831-02	Mutter.....	Lock nut .....		
	3	3		9699-0028-02	Planbricka.....	Flat washer.....		
	4	3		9997-0860-16	Skruv.....	Screw.....		
X	5	1		1136-1923-01	Remskydd .....	Belt protection.....		
X	6	2		1136-1918-01	Skruv.....	Screw.....		
X	7	1		1136-1946-01	Styrfäste- hö, inre .....	Support- RH, inner .....		
X	8	2		1136-1945-01	Styrfäste, yttre .....	Support, outer.....		
	9	3		1136-0693-01	Bricka.....	Washer.....		
X	10	1		1136-1929-01	Lås ratt .....	Knob .....		
	11	1		1136-0605-01	Mutter.....	Nut .....		
X	12	1		1136-1960-01	Styre- underdel .....	Handle- lower .....		
	13	1		1136-0747-01	Skruv m. ögla .....	Screw w. loop .....		
	14	2		1136-0666-01	Lås ratt .....	Knob .....		
	15	1		1136-0763-01	Styre- överdel .....	Handle- upper.....		
	19	1		1136-0746-01	Motorbromsbygel.....	Engine brake lever.....		
	20	1		1136-1191-01	Handtag- svart .....	Handgrip- black.....		
	21	2		1136-0640-01	Bussning .....	Bush.....		
	23	1		9699-0060-02	Planbricka.....	Flat washer.....		
	32	1		1136-1358-01	Motorbromswire.....	Engine brake cable .....		
	35	1		1136-0620-01	Skruv.....	Screw.....		
X	36	1		1136-1932-01	Fjäder.....	Spring .....		
X	37	1		1136-1940-01	Lucka.....	Flap .....		
X	38	1		1136-1934-01	Ledaxel .....	Pivot pin.....		
X	40	2		1136-1634-01	Skruv.....	Screw.....		
	41	1		9997-0512-16	Skruv.....	Screw.....		
X	42	1		1136-1924-01	Luftplåt.....	Conveyor.....		
	43	1		9699-0018-02	Bricka.....	Washer.....		
	44	1		9747-0531-02	Mutter.....	Nut .....		
X	45	1		1136-1947-01	Styrfäste- vä, inre .....	Support- LH, inner .....		
X	46	1		1136-1939-01	Lock.....	Inspection door.....		
X	47	1		1136-1953-01	Axel .....	Pin .....		
	48	2		1136-0682-01	Bygel .....	Plate.....		
	49	1		1136-0068-01	O- ring .....	O- ring .....		
	50	8		9847-8119-16	Skruv.....	Screw.....		
X	51	1		1136-1920-01	Tvättanslutning .....	Washing connection.....		
X	52	2		1136-1921-01	Bussning .....	Brass.....		
X	53	2		1136-1937-01	Platta .....	Plate.....		
	54	1		1136-0745-01	Drivbygel .....	Drive lever.....		
	55	2		1136-0639-01	Bussning .....	Bush.....		
X	56	2		1136-1931-01	Fjäder.....	Spring .....		
	57	2		9799-0831-02	Mutter.....	Nut .....		
	62	1		1136-1521-01	Skruvsats.....	Screw set .....		
X	171	1		1136-1927-01	Mulchplugg .....	Mulching deflector .....		
	201	1		1136-0691-01	Skydd .....	Protection .....		
	531	1		1111-9120-01	Knivfäste m.remskiva .....	Hub w. pulley .....		
	532	1		1111-3506-01	Kniv .....	Blade .....		
	533	1		1136-0083-01	Fjäderbricka .....	Elastic washer .....		
	534	1		1136-0015-01	Bricka.....	Washer.....		
	535	1		9987-5251-12	Skruv.....	Screw.....		
	536	1		9600-0014-00	Kil.....	Key.....		
X	601	1		1136-1933-01	Uppsamlarlock.....	Grassbox- upper.....		
X	602	1		1136-1944-01	Förstärkningsbygel .....	Reinforcement.....		
X	603	1		1136-1954-01	Uppsamlingsäck .....	Grassbox.....		
X	604	2		9836-9525-12	Skruv.....	Screw.....		
	605	2		9699-0085-02	Planbricka.....	Flat washer.....		

414	FRANCE REDUCTEURS	414	BI. CI. DI.
			



Utgåva Issue 2005-12		Bildnr Picture No 1977		COLLECTOR 50S COMBI TRANSMISSION HJULUPPHÄNGNING	COLLECTOR 50S COMBI TRANSMISSION WHEEL SUSPENSION	Sida Page 150		
Pos. Fig.	Antal/Quantity			Art nr Part No	Benämning	Description	Sats Kit	Anmärkning Notes
	0286							
X	251	2		1136-1925-01	Navkapsel- grå .....	Hub cap- grey .....		
	252	4		9747-0831-02	Mutter .....	Lock nut .....		
	253	2		9699-0028-02	Planbricka .....	Flat washer .....		
	254	8		1136-0655-01	Kullager .....	Ball bearing .....		
X	255	2		1136-1961-01	Hjul .....	Wheel .....		
	256	2		1136-0609-01	Fjäderbricka .....	Elastic washer .....		
X	257	1		1136-1952-01	Höjdinställn.stag .....	Height adjust rod .....		
	258	2		9652-0006-04	Spårryttare .....	Circlip .....		
X	259	1		1136-1955-01	Hjulaxel- fram .....	Wheel axle- front .....		
X	261	1		1136-1634-01	Skruv .....	Screw .....		
	262	1		9747-0831-02	Mutter .....	Lock nut .....		
X	263	1		1136-1948-01	Fäste .....	Height support .....		
X	264	1		1136-1943-01	Tryckknapp .....	Push button .....		
X	265	1		1136-1928-01	Höjdinställn.spak .....	Height adjust lever .....		
X	266	1		1136-1935-01	Pinnbult .....	Pin .....		
X	267	1		1136-1936-01	Pinnbult .....	Pin .....		
X	268	1		1136-1930-01	Fjäder .....	Spring .....		
	270	1		1136-0667-01	Fjäder .....	Spring .....		
X	271	2		1136-1962-01	Hjul .....	Wheel .....		
X	272	2		1136-1926-01	Navkapsel .....	Hub cap- grey .....		
X	273	1		1136-1922-01	Kåpa .....	Cover .....		
X	274	3		1136-1917-01	Skruv .....	Screw .....		
X	275	1		1136-1938-01	Platta .....	Plate .....		
	276	2		9997-0820-16	Skruv .....	Screw .....		
	277	2		9739-0831-22	Mutter .....	Nut .....		
	278	1		1136-0009-01	Låsplatta .....	Lock plate .....		
	279	1		1136-0089-01	Bricka .....	Washer .....		
	280	1		1136-0088-01	Bricka .....	Washer .....		
	281	1		9747-0631-02	Låsmutter .....	Lock nut .....		
	282	2		1136-0006-01	Fjäderbricka .....	Elastic washer .....		
	401	4		9650-0012-04	Seegersäkring .....	Circlip .....		
	402	1		1136-0685-01	Drev- vä .....	Pinion- LH .....		
	403	2		1136-0653-01	Kuggkrans .....	Ring gear .....		
X	404	2		1136-1941-01	Hjulskydd .....	Wheel protection .....		
X	405	1		1136-1956-01	Hjulaxel- bak .....	Wheel axle- rear .....		
	406	2		1136-0632-01	Lager .....	Bearing .....		
	407	2		1136-0697-01	Stift .....	Pin .....		
	408	1		1136-0091-01	Bricka .....	Washer .....		
	409	1		1136-0081-01	Navkapsel .....	Hub cap .....		
	410	1		9747-0631-02	Låsmutter .....	Lock nut .....		
	411	1		1136-0668-01	Fjäder .....	Spring .....		
	412	1		1136-0638-01	Bussning .....	Bush .....		
X	413	1		1136-1919-01	• Justerstag .....	• Adjustment rod .....		
X	414	1		1136-1950-01	Kopplingswire .....	Clutch cable .....		France Reducteurs
X	414	1		1136-1951-01	Kopplingswire .....	Clutch cable .....		Bi.Ci.Di.
X	415	1		1136-1942-01	• Remskiva .....	• Belt pulley .....		
	416	1		1136-0612-01	• Stift .....	• Pin .....		
X	417	1		1136-1949-01	Drivrem .....	Drive belt .....		
	418	1		1136-0684-01	Drev- hö .....	Pinion- RH .....		
X	419	1		1136-1958-01	Transmission .....	Transmission .....		France Reducteurs
X	419	1		1136-1959-01	Transmission (grå) .....	Transmission (grey) .....		Bi.Ci.Di.