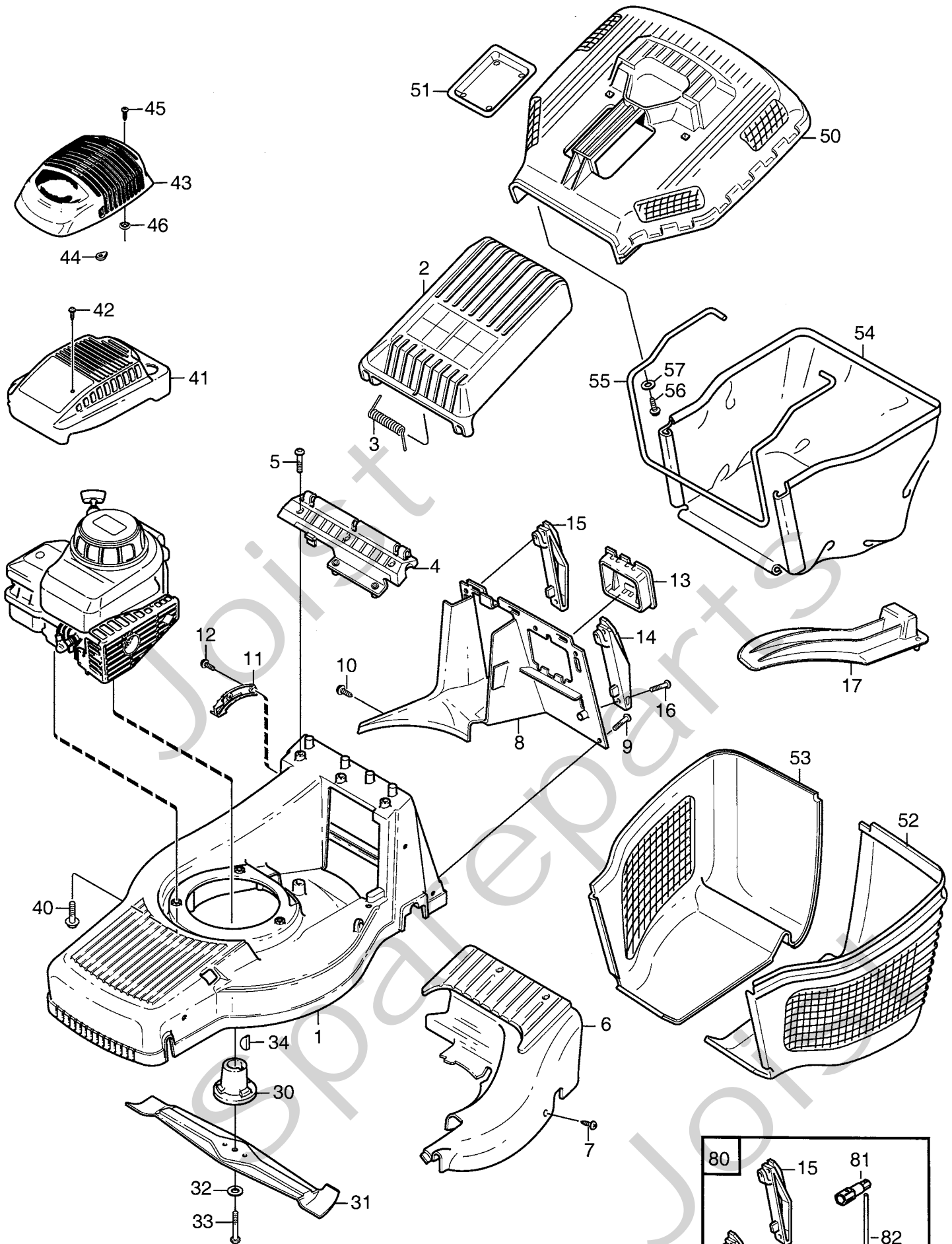


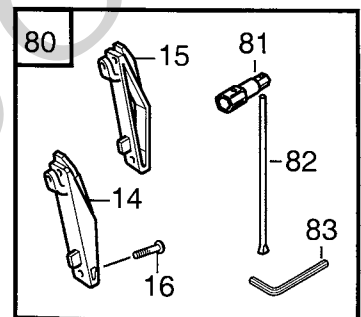
Genuine Spare Parts



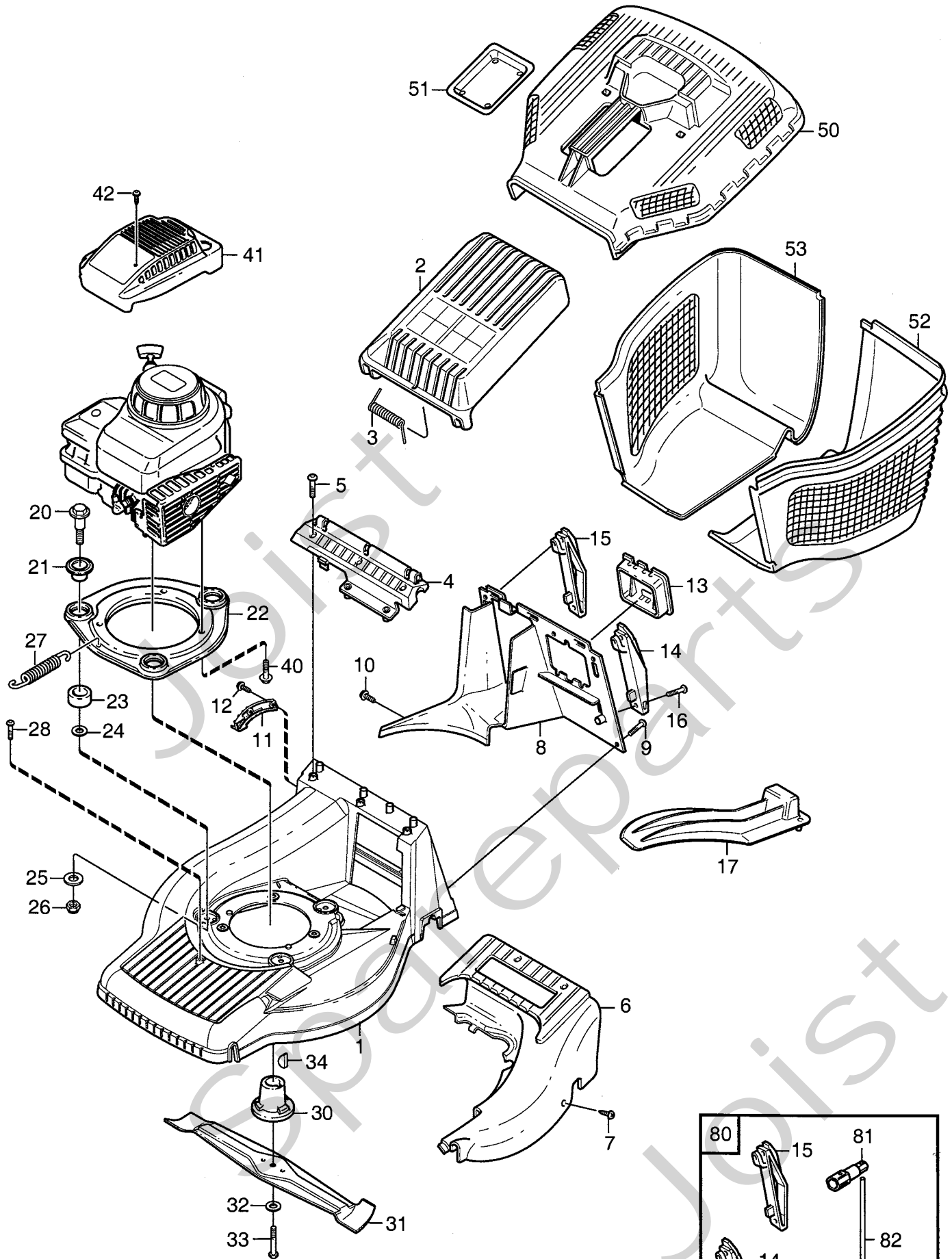
Joist
Spareparts
Joist



STIGA
1371B
SPARE PARTS

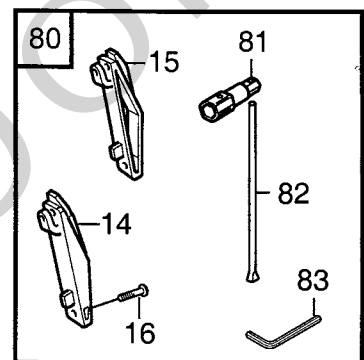


| Utgåva Issue | | Bildnr Picture No | | TURBO 55S- 55SE HERKULES MB532 JARDIPRO JP55 CHASSI | | TURBO 55S- 55SE HERKULES MB532 JARDIPRO JP55 CHASSIS | | Sida Page | |
|-----------------|------------------------------|----------------------|----------------------|--|-------------------|---|-----------------------------|--------------|--------------------------|
| 2004- 12 | | 1371B | | | | | | 192 | |
| Pos. Fig. | Antal/Quantity | | | | Art nr Part No | Benämning | Description | Sats Kit | Anmärkning Notes |
| | 9204 9286 - 69 9298 | 9604 - 89 | 9604 - 69 9644 | 9698 - 69 | | | | | |
| 1 | 1 | | | | 1111-3020-01 | Chassi- gul..... | Chassis- yellow | | |
| 1 | | 1 | | | 1111-3020-04 | Chassi- röd | Chassis- red | | |
| 1 | | | 1 | 1 | 1111-3020-08 | Chassi- grön | Chassis- green | | |
| 2 | 1 | | | | 1111-3283-01 | Lucka- gul..... | Flap- yellow | | |
| 2 | | 1 | | | 1111-3283-02 | Lucka- svart..... | Flap- black | | |
| 2 | | | 1 | 1 | 1111-3283-18 | Lucka- grön | Flap- green | | |
| 3 | 1 | 1 | 1 | 1 | 1111-2792-01 | Fjäder..... | Spring | | |
| 4 | 1 | | | | 1111-2793-01 | Luckinfästning- gul..... | Flap attachm.- yellow | | |
| 4 | | 1 | | | 1111-2793-02 | Luckinfästning- svart..... | Flap attachm.- black | | |
| 4 | | | 1 | 1 | 1111-2793-18 | Luckinfästning- grön..... | Flap attachm.- green..... | | |
| 5 | 3 | 3 | 3 | 3 | 9947-0616-16 | Skruv..... | Screw..... | | |
| 6 | 1 | | | | 1111-3019-01 | Täckkåpa- gul..... | Cover- yellow | | |
| 6 | | 1 | | | 1111-3019-04 | Täckkåpa- röd..... | Cover- red | | |
| 6 | | | 1 | 1 | 1111-3019-08 | Täckkåpa- grön..... | Cover- green..... | | |
| 7 | 3 | 3 | 3 | 3 | 9838-9522-12 | Skruv..... | Screw..... | | |
| 8 | 1 | 1 | 1 | 1 | 1111-3335-01 | Bakstam..... | Rear attachment..... | | |
| 9 | 3 | 3 | 3 | 3 | 9947-0616-16 | Skruv..... | Screw..... | | |
| 10 | 1 | 1 | 1 | 1 | 9838-9522-12 | Skruv..... | Screw..... | | |
| 11 | 1 | 1 | 1 | 1 | 1111-2798-01 | Höjdinst. segment..... | Height adj. quadrant..... | | |
| 12 | 2 | 2 | 2 | 2 | 9838-9522-12 | Skruv..... | Screw..... | | |
| 13 | 1 | 1 | 1 | 1 | 1111-2927-01 | Batterihållare..... | Battery holder..... | | ej 9298- 59, 9698- 69 |
| 14 | 1 | 1 | 1 | 1 | 1111-3236-01 | • Hållare- vä..... | • Attachment- LH..... | | |
| 15 | 1 | 1 | 1 | 1 | 1111-3237-01 | • Hållare- hö..... | • Attachment- RH..... | | |
| 16 | 4 | 4 | 4 | 4 | 9836-9520-12 | • Skruv..... | • Screw..... | | |
| 17 | 1 | 1 | 1 | 1 | 1111-3333-02 | Mulcherplugg..... | Mulch plug..... | | |
| 30 | 1 | 1 | 1 | 1 | 1111-9070-01 | Knivfäste..... | Blade holder..... | | |
| 31 | 1 | 1 | 1 | 1 | 1111-9091-01 | Kniv..... | Blade..... | | |
| 32 | 1 | 1 | 1 | 1 | 9696-0011-01 | Bricka..... | Washer..... | | |
| 33 | 1 | 1 | 1 | 1 | 9987-5251-12 | Skruv..... | Screw..... | | |
| 34 | 1 | 1 | 1 | 1 | 9600-0014-00 | Kil..... | Key..... | | |
| 40 | 3 | 3 | 3 | 3 | 9955-3732-12 | Skruv..... | Screw..... | | |
| 41 | 1 | | | | 1111-3352-01 | Motorkåpa- svart..... | Engine cover- black..... | | 12- 9298- 59 |
| 41 | | | | 1 | 1111-3352-02 | Motorkåpa- grön..... | Engine cover- green..... | | 12- 9698- 69 |
| 42 | 2 | | | 2 | 9500-9907-01 | Skruv..... | Screw..... | | |
| X 43 | 1 | 1 | 1 | 1 | 1111-3601-01 | Motorkåpa- svart..... | Engine cover- black..... | | 9204- 59, 9604- 69, - 89 |
| X 44 | 2 | 2 | 2 | 2 | 1111-3624-01 | Gummiring..... | Rubber ring..... | | |
| X 45 | 3 | 3 | 3 | 3 | 1111-3625-01 | Skruv..... | Screw..... | | |
| X 46 | 3 | 3 | 3 | 3 | 1111-3629-01 | Bricka..... | Washer..... | | |
| 50 | 1 | | | | 1111-2840-01 | Uppsamlarlock- gul..... | Top collector- yellow..... | | |
| 50 | | 1 | | | 1111-2840-02 | Uppsamlarlock- svart..... | Top collector- black..... | | |
| 50 | | | 1 | 1 | 1111-2840-18 | Uppsamlarlock- grön..... | Top collector- green..... | | |
| 51 | 1 | 1 | 1 | 1 | 1111-2764-01 | Täckbricka..... | Cover..... | | |
| 52 | 1 | | | | 1111-2841-10 | Uppsaml. under- vä..... | Collector lower- L..... | | 12- 9286- 69 |
| 53 | 1 | | | | 1111-2842-10 | Uppsaml. under- hö..... | Collector lower- R..... | | 12- 9286- 69 |
| 54 | 1 | 1 | 1 | 1 | 1111-2844-01 | Uppsamlingssock- svart..... | Collecting bag- black..... | | 12- 9204- 59, 9298- 59 |
| 55 | 1 | 1 | 1 | 1 | 1111-2843-01 | Trådbygel..... | Wire clamp..... | | |
| 56 | 2 | 2 | 2 | 2 | 9838-9522-12 | Skruv..... | Screw..... | | |
| 57 | 2 | 2 | 2 | 2 | 9699-0100-02 | Bricka..... | Washer..... | | |
| 80 | 1 | 1 | 1 | 1 | 1111-3569-01 | Tillbehörspåse..... | Accessory bag..... | | Inkl. pos 14- 16, 81- 83 |
| 81 | 1 | 1 | 1 | 1 | 1111-2921-01 | • Tändstiftsnyckel..... | • Spark plug wrench..... | | |
| 82 | 1 | 1 | 1 | 1 | 1111-2113-01 | • Vridpinne..... | • Rod..... | | |
| 83 | 1 | 1 | 1 | 1 | 9900-0060-00 | • Insexnyckel..... | • Allen wrench..... | | |
| 99 | 1 | | | | 1111-3588-03 | Dekalsats..... | Label kit..... | | STIGA |

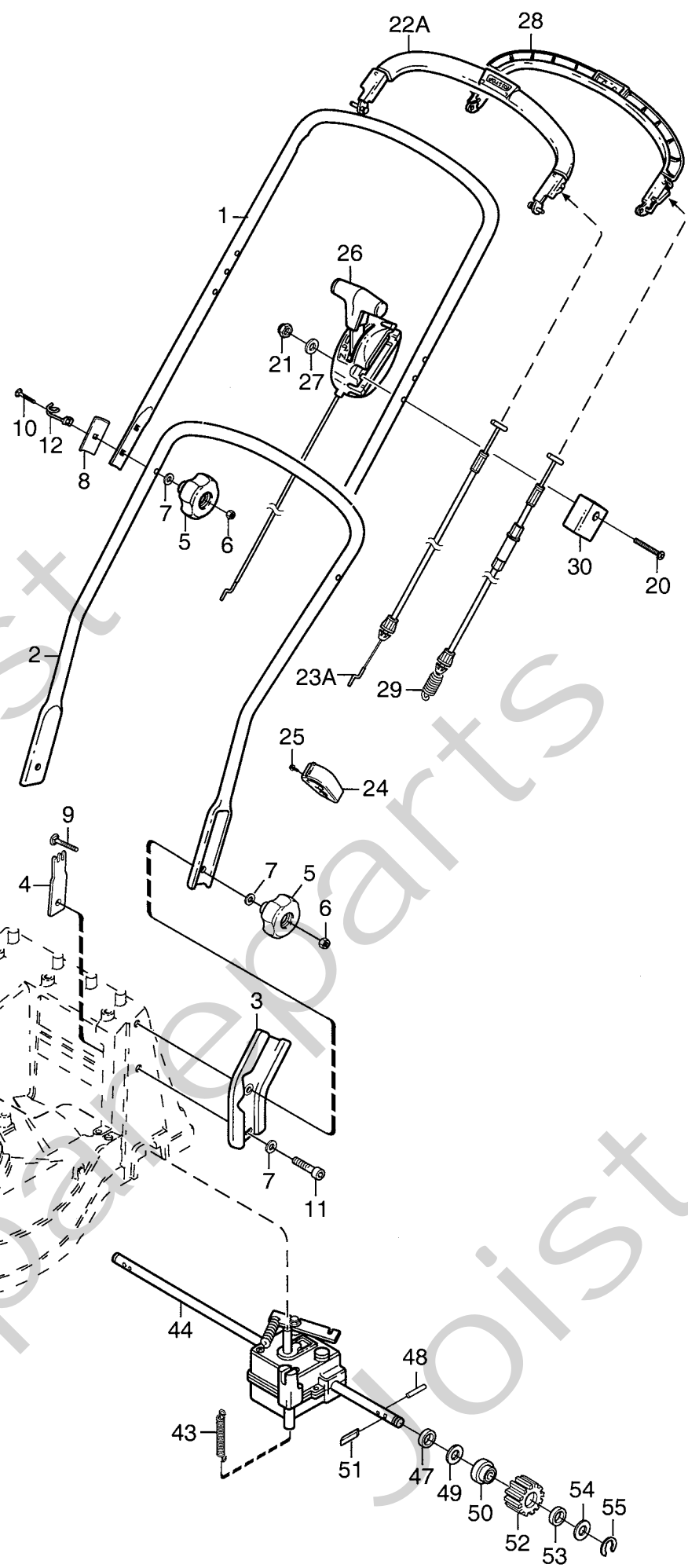
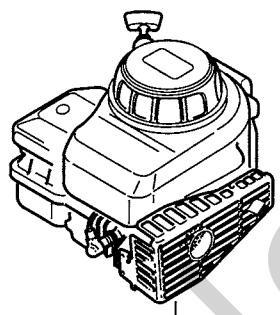
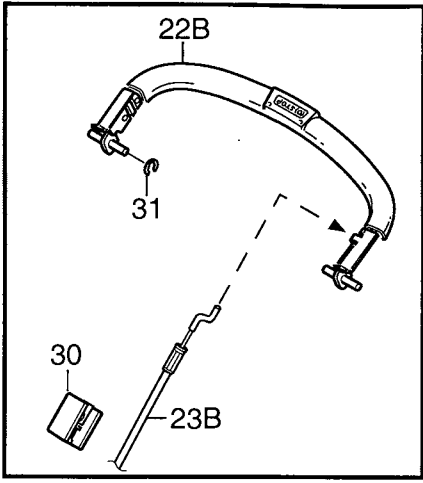


STIGA
1703
SPARE PARTS

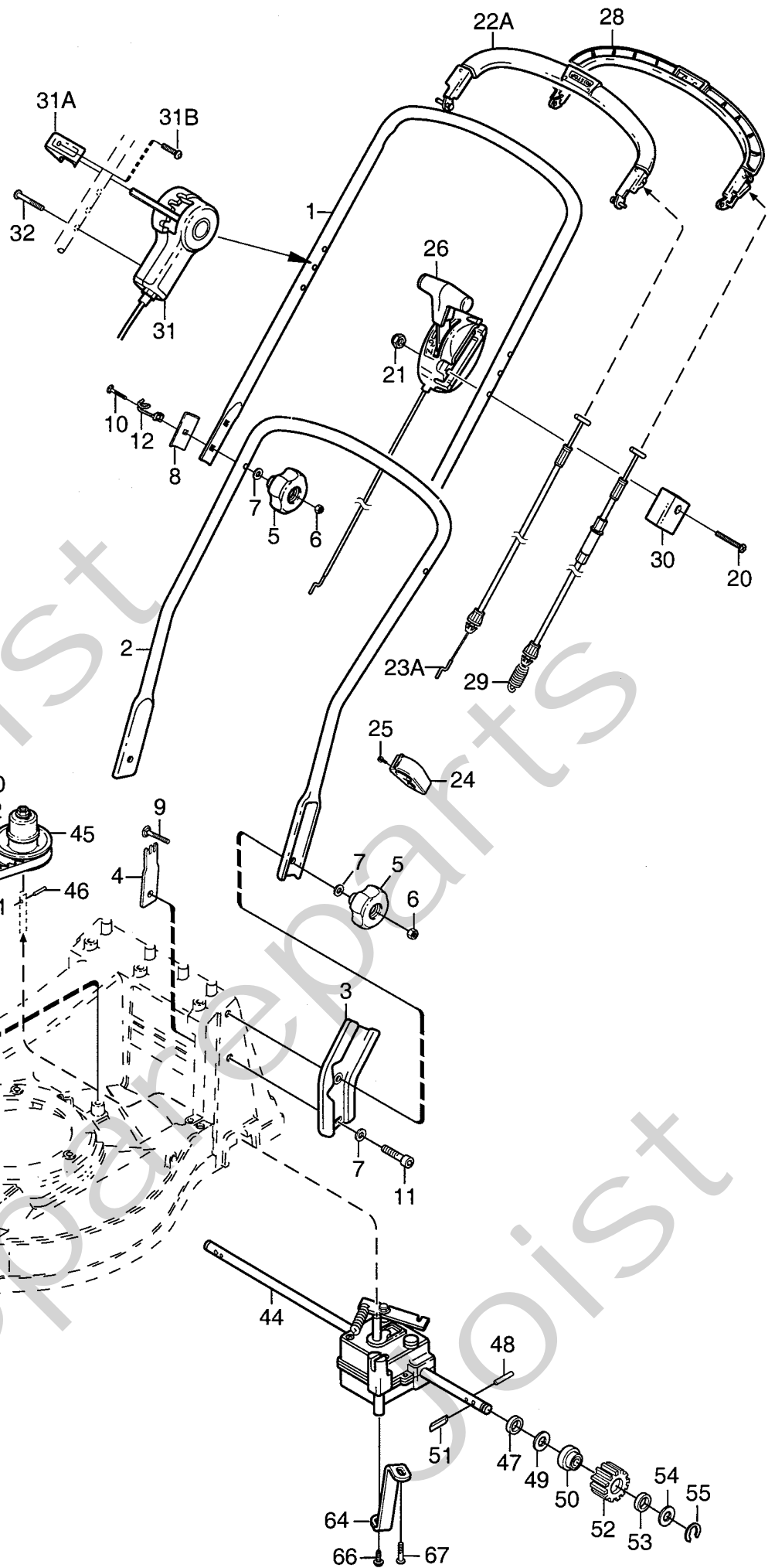
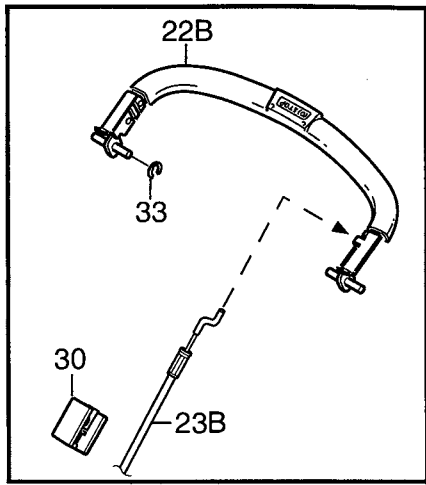
99
DEKALKIT



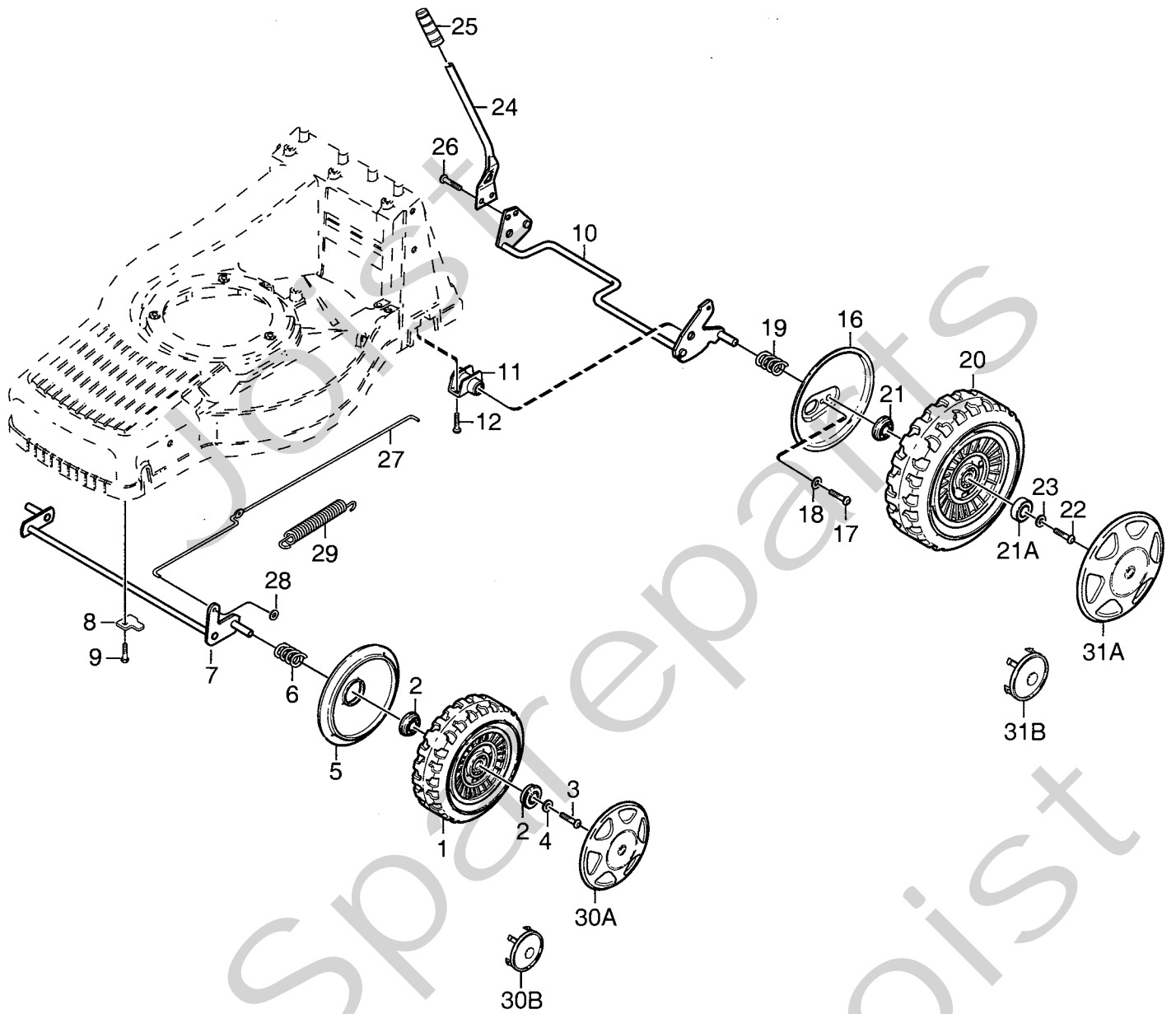
| Utgåva Issue | | Bildnr Picture No | | TURBO 55S- 55SE CHASSI | | TURBO 55S- 55SE CHASSIS | | Sida Page | |
|-----------------|----------------|----------------------|---|---------------------------|--------------------------|-----------------------------|-------------------------|---------------------|--|
| 2004- 12 | | 1703 | | | | | | 194 | |
| Pos. Fig. | Antal/Quantity | | | Art nr Part No | Benämning | Description | Sats Kit | Anmärkning Notes | |
| | 9286 -19 | 9498 -19 | | | | | | | |
| X | 1 | 1 | 1 | 1111-3598-01 | Chassi- gul..... | Chassis- yellow | | | |
| | 2 | 1 | 1 | 1111-3283-01 | Lucka- gul..... | Flap- yellow | | | |
| | 3 | 1 | 1 | 1111-2792-01 | Fjäder..... | Spring | | | |
| | 4 | 1 | 1 | 1111-2793-01 | Luckinfästning- gul..... | Flap attachm.- yellow | | | |
| | 5 | 3 | 3 | 9947-0616-16 | Skruv..... | Screw..... | | | |
| X | 6 | 1 | 1 | 1111-3597-01 | Täckåpa- gul..... | Cover- yellow | | | |
| | 7 | 3 | 3 | 9838-9522-12 | Skruv..... | Screw..... | | | |
| | 8 | 1 | 1 | 1111-3335-01 | Bakstam..... | Rear attachment..... | | | |
| | 9 | 3 | 3 | 9947-0616-16 | Skruv..... | Screw..... | | | |
| | 10 | 1 | 1 | 9838-9522-12 | Skruv..... | Screw..... | | | |
| | 11 | 1 | 1 | 1111-2798-01 | Höjdivst. segment..... | Height adj. quadrant..... | | | |
| | 12 | 2 | 2 | 9838-9522-12 | Skruv..... | Screw..... | | | |
| | 13 | 1 | | 1111-2927-01 | Batterihållare..... | Battery holder..... | | | |
| | 14 | 1 | 1 | 1111-3236-01 | • Hållare- vä..... | • Attachment- LH..... | | | |
| | 15 | 1 | 1 | 1111-3237-01 | • Hållare- hö..... | • Attachment- RH..... | | | |
| | 16 | 4 | 4 | 9836-9520-12 | • Skruv..... | • Screw..... | | | |
| | 17 | 1 | 1 | 1111-3333-02 | Mulcherplugg..... | Mulch plug..... | | | |
| | 20 | 3 | 3 | 1111-2454-01 | Ansatsbult..... | Shoulder bolt..... | | | |
| | 21 | 3 | 3 | 1111-2453-01 | Isolering..... | Grommet..... | | | |
| X | 22 | 1 | 1 | 1111-3594-02 | Motorplatta- svart..... | Engine plate- black..... | | | |
| | 23 | 3 | 3 | 1111-2452-01 | Dämpement..... | Rubber damper..... | | | |
| | 24 | 3 | 3 | 9699-0062-02 | Planbricka..... | Flat washer..... | 8.4 x 22 x 1.5 mm | | |
| | 25 | 3 | 3 | 9699-0056-02 | Planbricka..... | Flat washer..... | 8.4 x 24 x 2.0 mm | | |
| | 26 | 3 | 3 | 9739-0831-22 | Mutter..... | Nut..... | | | |
| X | 27 | 1 | 1 | 1111-3641-01 | Fjäder..... | Spring..... | | | |
| | 28 | 1 | 1 | 9943-0610-16 | Skruv..... | Screw..... | | | |
| | 30 | 1 | 1 | 1111-9070-01 | Knivfäste..... | Blade holder..... | | | |
| | 31 | 1 | 1 | 1111-9091-01 | Kniv..... | Blade..... | | | |
| | 32 | 1 | 1 | 9696-0011-01 | Bricka..... | Washer..... | | | |
| | 33 | 1 | 1 | 9987-5251-12 | Skruv..... | Screw..... | | | |
| | 34 | 1 | 1 | 9600-0014-00 | Kil..... | Key..... | | | |
| | 40 | 3 | 3 | 9955-3732-12 | Skruv..... | Screw..... | | | |
| | 41 | 1 | 1 | 1111-3352-01 | Motorkåpa- svart..... | Engine cover- black..... | | | |
| | 42 | 2 | 2 | 9500-9907-01 | Skruv..... | Screw..... | | | |
| X | 43 | 1 | 1 | 1111-3634-01 | Stag- förgasare..... | Bracket- carburettor..... | Ej ill/not ill. | | |
| | 50 | 1 | 1 | 1111-2840-01 | Uppsamlarlock- gul..... | Top collector- yellow..... | | | |
| | 51 | 1 | 1 | 1111-2764-01 | Täckbricka..... | Cover..... | | | |
| | 52 | 1 | 1 | 1111-2841-10 | Uppsaml. under- vä..... | Collector lower- L..... | | | |
| | 53 | 1 | 1 | 1111-2842-10 | Uppsaml. under- hö..... | Collector lower- R..... | | | |
| | 80 | 1 | 1 | 1111-3569-01 | Tillbehörspåse..... | Accessory bag..... | Inkl. pos 14- 16,81- 83 | | |
| | 81 | 1 | 1 | 1111-2921-01 | • Tändstiftsnyckel..... | • Spark plug wrench..... | | | |
| | 82 | 1 | 1 | 1111-2113-01 | • Vridpinne..... | • Rod..... | | | |
| | 83 | 1 | 1 | 9900-0060-00 | • Insexnyckel..... | • Allen wrench..... | | | |
| | 99 | 1 | 1 | 1111-3588-03 | Dekalsats..... | Label kit..... | STIGA | | |



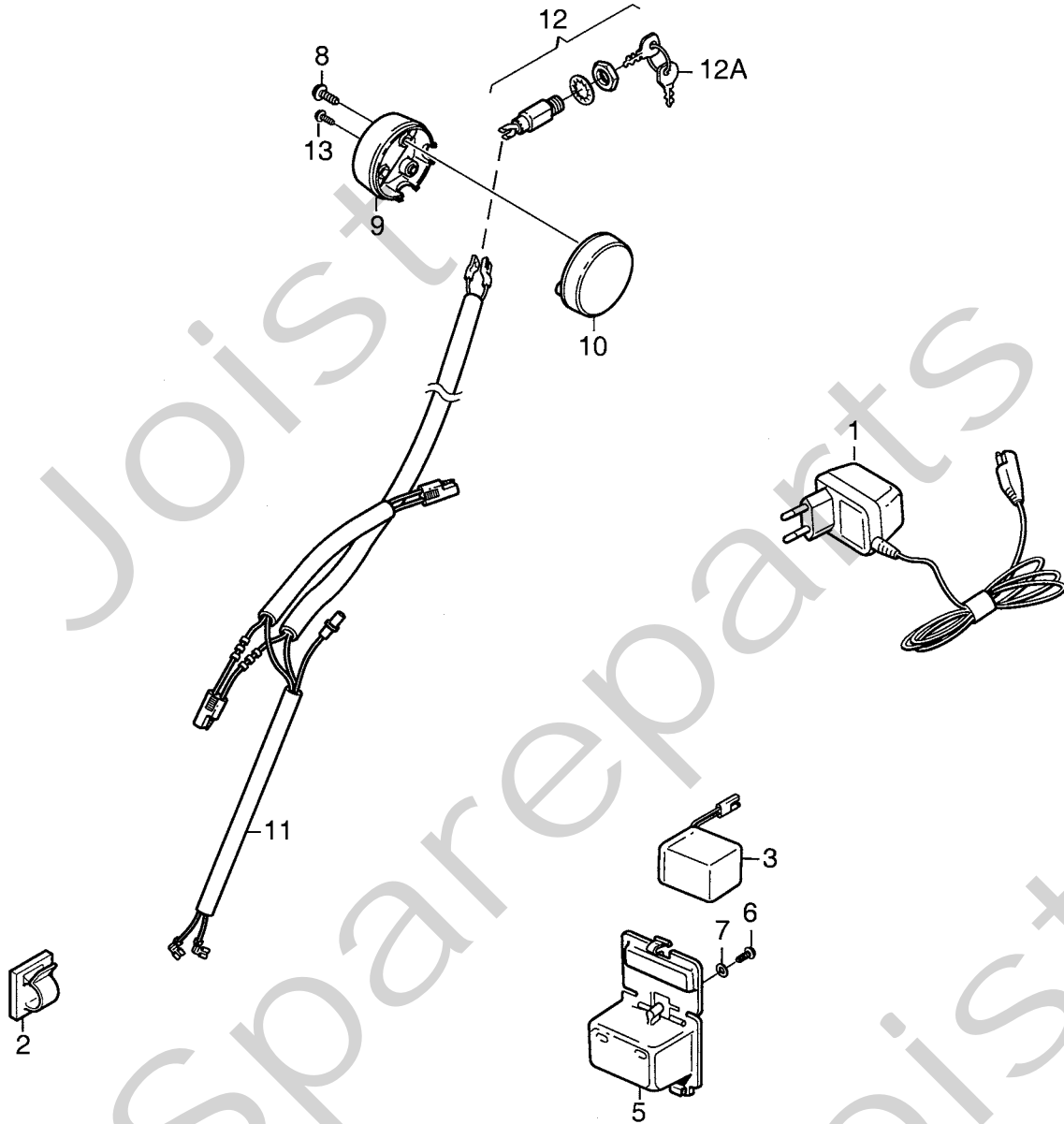
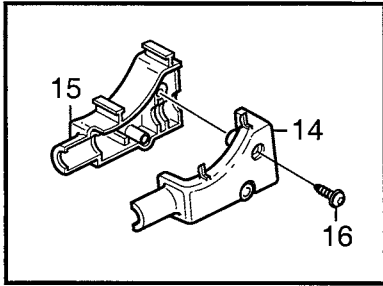
| Utgåva Issue | | Bildnr Picture No | | | TURBO 55S- 55SE HERKULES MB532 JARDIPRO JP55 STYRE | | TURBO 55S- 55SE HERKULES MB532 JARDIPRO JP55 HANDLE | | Sida Page |
|-----------------|-----------------------------|----------------------|---------------------|-------------|---|-----------------------------|--|-------------|---------------------|
| 2004- 12 | | 1737 | | | | | | | 200 |
| Pos. Fig. | Antal/Quantity | | | | Art nr Part No | Benämning | Description | Sats Kit | Anmärkning Notes |
| | 9286 -19 9296 9298 | 9698 | 9204 9604 -69 | 9644 -69 | | | | | |
| X | 1 | 1 | 1 | 1 | 1111-2957-01 | Styre- överdel | Handle- upper | | |
| | 1 | 1 | | | 1111-3461-02 | Styre- överdel (gul) | Handle- upper (yellow) | | 12- 9296- 49 |
| | 2 | 1 | 1 | 1 | 1111-3022-01 | Styre- underdel | Handle- lower | | |
| X | 2 | 1 | | | 1111-3428-02 | Styre- underdel (gul) | Handle- lower (yellow) | | 12- 9296- 49 |
| | 3 | 2 | 2 | 2 | 1111-3021-01 | Styrinfästning | Handlebar attachment | | |
| | 4 | 2 | 2 | 2 | 1111-3024-01 | Fästplatta | Attachment plate | | |
| | 5 | 4 | 4 | 4 | 1111-3023-01 | Låsratt | Locking knob | | |
| | 6 | 4 | 4 | 4 | 9795-3531-02 | Mutter | Nut | | |
| | 7 | 6 | 6 | 6 | 9699-0028-02 | Planbricka | Flat washer | | |
| | 8 | 2 | 2 | 2 | 1111-0178-00 | Förstärkning | Reinforcement | | |
| | 9 | 2 | 2 | 2 | 9899-3545-12 | Skruv | Screw | | L = 45 mm |
| | 9 | 2 | | | 9899-3557-12 | Skruv | Screw | | L = 57 mm |
| | 10 | 2 | 2 | 2 | 9899-3557-12 | Skruv | Screw | | L = 57 mm |
| | 11 | 2 | 2 | 2 | 9939-0820-16 | Skruv | Screw | | |
| | 12 | 1 | 1 | 1 | 1111-3062-01 | Ögla | Eyelink | | |
| | 20 | 1 | | | 9948-0640-16 | Skruv | Screw | | L = 40 mm |
| | 20 | | 1 | 1 | 9948-0660-16 | Skruv | Screw | | L = 60 mm |
| | 20 | | | 1 | 9948-0670-16 | Skruv | Screw | | L = 70 mm |
| | 21 | 1 | 1 | 1 | 9747-0631-02 | Låsmutter | Lock nut | | |
| X | 22A | 1 | 1 | 1 | 1111-2953-01 | Manöverbygel | Control handle | | |
| | 22B | 1 | | | 1111-3617-01 | Manöverbygel | Control handle | | 12- 9296- 49 |
| | 23A | 1 | 1 | | 1111-2968-02 | Motorbromswire | Engine brake cable | | |
| | 23A | | | 1 | 1111-2968-07 | Motorbromswire | Engine brake cable | | |
| X | 23A | | | 1 | 1111-3556-01 | Motorbromswire | Engine brake cable | | |
| X | 23B | 1 | | | 1111-3633-01 | Motorbromswire | Engine brake cable | | 12- 9296- 49 |
| | 24 | 2 | 2 | 2 | 1111-2018-01 | Kabelhållare | Cable holder | | |
| | 25 | 2 | 2 | 2 | 9836-9216-12 | Skruv | Screw | | |
| | 26 | | | 1 | 1111-3301-03 | Gasreglage | Throttle control | | Honda |
| | 26 | | 1 | | 1111-3351-01 | Gasreglage | Throttle control | | B&S |
| | 26 | | | 1 | 1111-3557-01 | Gasreglage | Throttle control | | Tecumseh |
| | 27 | | 1 | 1 | 9699-0060-02 | Planbricka | Flat washer | | |
| | 28 | 1 | 1 | 1 | 1111-2954-01 | Manöverbygel | Control handle | | |
| | 29 | 1 | 1 | 1 | 1111-3388-01 | Kopplingswire | Clutch cable | | |
| | 30 | 1 | 1 | 1 | 1111-2969-01 | Wirefäste | Cable attachment | | |
| X | 31 | 2 | | | 9652-0006-04 | Spårryttare | Circlip | | 12- 9296- 49 |
| | 40 | 1 | 1 | 1 | 1111-2915-01 | Motorremskiva | Engine belt pulley | | |
| | 41 | 1 | 1 | 1 | 9910-0612-16 | Stoppskruv | Set screw | | |
| | 42 | 1 | 1 | 1 | 9585-0137-01 | Drivrem | Drive belt | | |
| | 43 | 1 | 1 | 1 | 1111-2822-01 | Dragfjäder | Tension spring | | |
| | 44 | 1 | 1 | 1 | 1111-3393-01 | Transmission | Transmission | | |
| | 44A | 1 | 1 | 1 | 1111-3446-01 | Fjäder | Spring | | Ej ill/not ill. |
| | 45 | 1 | 1 | 1 | 1111-3440-01 | Remskiva | Belt pulley | | |
| | 46 | 1 | 1 | 1 | 9595-0235-00 | Spännstift | Locating pin | | |
| | 47 | 2 | 2 | 2 | 9404-0083-00 | Tätningring | Seal ring | | |
| | 48 | 2 | 2 | 2 | 1111-2382-01 | Cyl. pinne | Pin | | |
| | 49 | 2 | 2 | 2 | 9695-0013-00 | Bricka | Washer | | |
| | 50 | 2 | 2 | 2 | 1111-2829-01 | Låsbricka | Lock washer | | |
| | 51 | 2 | 2 | 2 | 1111-3256-01 | Drivkil | Drive key | | |
| | 52 | 2 | 2 | 2 | 1111-3075-01 | Kugghjul- plasthjul | Pinion- plastic wheel | | |
| | 52 | 2 | | | 1111-3230-01 | Kugghjul- alum. hjul | Pinion- alum. wheel | | 12- 9296- 49 |
| | 53 | 2 | 2 | 2 | 1111-2830-01 | Stödbricka | Support washer | | |
| | 54 | 2 | 2 | 2 | 9695-0013-00 | Bricka | Washer | | |
| | 55 | 2 | 2 | 2 | 9652-0010-04 | Låsring | Snap ring | | |



| Utgåva Issue | | Bildnr Picture No | | TURBO PRO 55S- 55SE HERKULES MB532 STYRE TRANSMISSION 4- SPEED | | TURBO PRO 55S- 55SE HERKULES MB532 HANDLE TRANSMISSION 4- SPEED | | Sida Page | |
|-----------------|----------------|----------------------|-------------|---|----------------------------|--|-------------|---------------------|--|
| 2004-12 | | 1739 | | | | | | 202 | |
| Pos. Fig. | Antal/Quantity | | | Art nr Part No | Benämning | Description | Sats Kit | Anmärkning Notes | |
| | 9604 -89 | 9404 -49 | 9498 -19 | | | | | | |
| X | 1 | 1 | | 1111-2957-01 | Styre- överdel | Handle- upper | | | |
| | 1 | | 1 | 1111-3461-02 | Styre- överdel (gul)..... | Handle- upper (yellow) | | | |
| | 2 | 1 | 1 | 1111-3022-01 | Styre- underdel | Handle- lower | | | |
| X | 2 | | 1 | 1111-3428-02 | Styre- underdel (gul)..... | Handle- lower (yellow) | | | |
| | 3 | 2 | 2 | 1111-3021-01 | Styrfästning | Handlebar attachment | | | |
| | 4 | 2 | 2 | 1111-3024-01 | Fästplatta | Attachment plate | | | |
| | 5 | 4 | 4 | 1111-3023-01 | Låsrott | Locking knob | | | |
| | 6 | 4 | 4 | 9795-3531-02 | Mutter..... | Nut | | | |
| | 7 | 6 | 6 | 9699-0028-02 | Planbricka..... | Flat washer | | | |
| | 8 | 2 | 2 | 1111-0178-00 | Förstärkning | Reinforcement..... | | | |
| | 9 | 2 | 2 | 9899-3545-12 | Skruv | Screw | | L = 45 mm | |
| | 9 | | 2 | 9899-3557-12 | Skruv | Screw | | L = 57 mm | |
| | 10 | 2 | 2 | 9899-3557-12 | Skruv | Screw | | L = 57 mm | |
| | 11 | 2 | 2 | 9939-0820-16 | Skruv | Screw | | | |
| | 12 | 1 | 1 | 1111-3062-01 | Ögla | Eyelink | | | |
| | 20 | | 1 | 9948-0640-16 | Skruv | Screw | | L = 40 mm | |
| | 20 | 1 | | 9948-0670-16 | Skruv | Screw | | L = 70 mm | |
| | 21 | 1 | 1 | 9747-0631-02 | Låsmutter | Lock nut | | | |
| X | 22A | 1 | | 1111-2953-01 | Manöverbygel..... | Control handle..... | | | |
| | 22B | | 1 | 1111-3617-01 | Manöverbygel..... | Control handle..... | | | |
| | 23A | | 1 | 1111-2968-02 | Motorbromswire..... | Engine brake cable | | | |
| X | 23B | 1 | | 1111-2968-07 | Motorbromswire..... | Engine brake cable | | | |
| | 24 | 3 | 2 | 1111-3633-01 | Motorbromswire..... | Engine brake cable | | | |
| | 25 | 3 | 2 | 1111-2018-01 | Kabelhållare..... | Cable holder | | | |
| | 26 | 1 | | 9836-9216-12 | Skruv | Screw | | | |
| | 28 | 1 | 1 | 1111-3301-03 | Gasreglage..... | Throttle control | | | |
| | 28 | 1 | 1 | 1111-2954-01 | Manöverbygel..... | Control handle..... | | Honda | |
| | 29 | 1 | 1 | 1111-3388-01 | Kopplingswire..... | Clutch cable | | | |
| | 30 | 1 | 1 | 1111-2969-01 | Wirefäste | Cable attachment | | | |
| | 31 | 1 | 1 | 1111-2971-03 | Variatorreglage | Variator control | | | |
| | 31A | 1 | 1 | 1111-2941-01 | • Reglageknopp..... | • Knob | | | |
| | 31B | 2 | 2 | 9838-9522-12 | • Skruv | • Screw | | | |
| | 32 | 2 | 2 | 9838-9540-12 | Skruv | Screw | | | |
| X | 33 | 2 | 2 | 9652-0006-04 | Spärryttare | Circlip | | | |
| | 40 | 1 | 1 | 1111-2433-01 | Motorremskiva | Engine belt pulley..... | | | |
| | 41 | 1 | 1 | 9910-0612-16 | Stoppskruv | Set screw | | | |
| | 42 | 1 | 1 | 9585-0137-01 | Drivrem | Drive belt..... | | | |
| | 44 | 1 | 1 | 1111-3393-01 | Transmission | Transmission..... | | | |
| | 44A | 1 | 1 | 1111-3446-01 | • Fjäder..... | • Spring | | Ej ill/not ill. | |
| | 45 | 1 | 1 | 1111-3001-01 | Variator | Variator Assy | | | |
| | 46 | 1 | 1 | 9594-0026-00 | Spännstift..... | Locating pin | | | |
| | 47 | 2 | 2 | 9404-0083-00 | Tätningring | Seal ring | | | |
| | 48 | 2 | 2 | 1111-2382-01 | Cyl.pinne..... | Pin | | | |
| | 49 | 2 | 2 | 9695-0013-00 | Bricka | Washer..... | | | |
| | 50 | 2 | 2 | 1111-2829-01 | Låsbricka | Lock washer..... | | | |
| | 51 | 2 | 2 | 1111-3256-01 | Drivkil | Drive key | | | |
| | 52 | | 2 | 1111-3075-01 | Kuggjul- plasthjul..... | Pinion- plastic wheel | | | |
| | 52 | 2 | 2 | 1111-3230-01 | Kuggjul- alum. hjul..... | Pinion- alum. wheel..... | | | |
| | 53 | 2 | 2 | 1111-2830-01 | Stödbricka | Support washer..... | | | |
| | 54 | 2 | 2 | 9695-0013-00 | Bricka | Washer..... | | | |
| | 55 | 2 | 2 | 9652-0010-04 | Låsring | Snap ring | | | |
| | 60 | 1 | 1 | 9943-0650-16 | Skruv | Screw | | | |
| | 61 | 1 | 1 | 1111-3051-01 | Spännarm | Tension arm | | | |
| | 62 | 1 | 1 | 1111-2746-01 | Remskiva | Belt pulley | | | |
| | 63 | 1 | 1 | 1111-2747-01 | Spännrulle | Tension roller | | | |
| | 64 | 1 | 1 | 1111-3050-01 | Stag | Bracket..... | | | |
| | 65 | 1 | 1 | 1111-2423-01 | Distans | Spacer..... | | | |
| | 66 | 1 | 1 | 9838-9522-12 | Skruv | Screw | | | |
| | 67 | 2 | 2 | 9947-0616-16 | Skruv | Screw | | | |
| | 68 | 1 | 1 | 1111-2469-01 | Fäste | Attachment..... | | | |
| | 69 | 2 | 2 | 9699-0060-02 | Planbricka..... | Flat washer..... | | | |
| | 70 | 1 | 1 | 9997-0630-12 | Skruv | Screw | | | |
| | 71 | 1 | 1 | 9747-0631-02 | Låsmutter | Lock nut | | | |

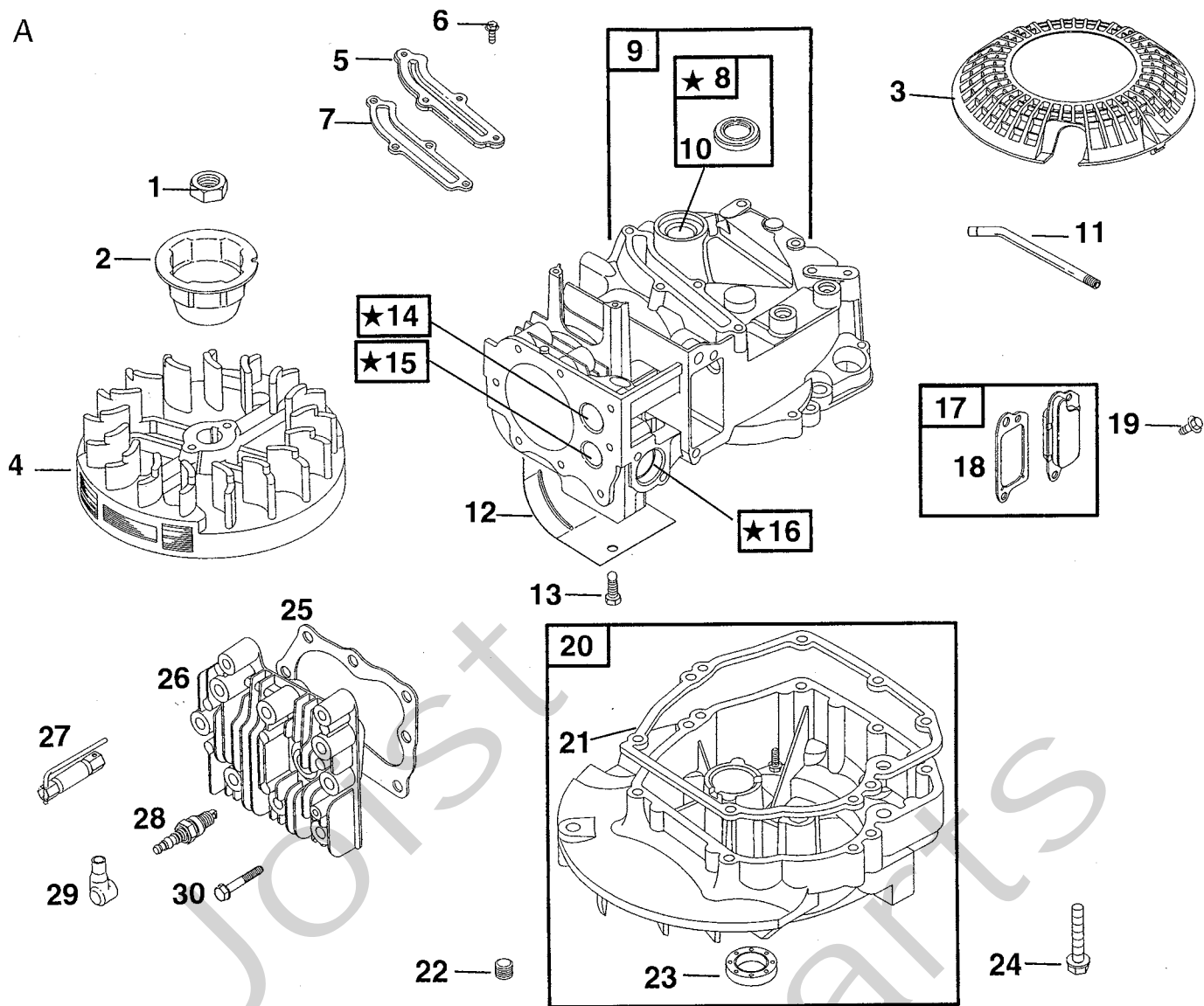


| Utgåva Issue | | Bildnr Picture No | | TURBO 55S- 55SE JARDIPRO JP55 HJULUPPHÄNGNING | | TURBO 55S- 55SE JARDIPRO JP55 WHEEL SUSPENSION | | Sida Page | |
|-----------------|----------------|----------------------|----------------------|---|-------------------|--|-----------------------------|--------------|-----------------------|
| 2004- 12 | | 1429A | | | | | | 204 | |
| Pos. Fig. | Antal/Quantity | | | | Art nr Part No | Benämning | Description | Sats Kit | Anmärkning Notes |
| | 9204 -59 | 9286 9298 9498 | 9604 - 69 9644 | 9698 | | | | | |
| 1 | 2 | 2 | 2 | 2 | 1111-2784-01 | Hjul kpl | Wheel assy..... | | |
| 2 | 2 | 2 | 2 | 2 | 1111-3296-01 | • Kullager | • Ball bearing | | |
| 3 | 2 | 2 | 2 | 2 | 9943-0612-16 | Skruv | Screw | | |
| 4 | 2 | 2 | 2 | 2 | 9699-0100-02 | Bricka | Washer | | |
| 5 | 2 | 2 | 2 | 2 | 1111-2785-01 | Täckbricka | Wheel cover | | |
| 6 | 2 | 2 | 2 | 2 | 1111-1138-01 | Fjäder..... | Spring | | |
| 7 | 1 | 1 | 1 | 1 | 1111-3466-02 | Framaxel | Front axle | | |
| 8 | 2 | 2 | 2 | 2 | 1111-1504-01 | Överfall | Retainer | | |
| 9 | 2 | 2 | 2 | 2 | 9947-0616-16 | Skruv | Screw | | |
| 10 | 1 | 1 | 1 | 1 | 1111-2808-01 | Bakaxel | Rear axle | | |
| 11 | 2 | 2 | 2 | 2 | 1111-2814-01 | Bussning | Bushing..... | | |
| 12 | 4 | 4 | 4 | 4 | 9947-0616-16 | Skruv | Screw | | |
| 16 | 2 | 2 | 2 | 2 | 1111-3395-01 | Täckplåt..... | Cover plate | | |
| 17 | 2 | 2 | 2 | 2 | 9943-0610-16 | Skruv | Screw | | |
| 18 | 2 | 2 | 2 | 2 | 9699-0060-02 | Planbricka..... | Flat washer..... | | |
| 19 | 2 | 2 | 2 | 2 | 1111-3060-01 | Fjäder..... | Spring | | |
| 20 | 2 | 2 | 2 | 2 | 1111-3026-01 | Hjul m.kullager | Wheel w.ball bearings | | |
| 21 | 1 | 1 | 1 | 1 | 1111-3296-01 | • Kullager | • Ball bearing | | |
| 21A | 1 | 1 | 1 | 1 | 9549-0001-00 | • Kullager | • Ball bearing | | |
| 22 | 2 | 2 | 2 | 2 | 9943-0612-16 | Skruv | Screw | | |
| 23 | 2 | 2 | 2 | 2 | 9699-0100-02 | Bricka | Washer..... | | |
| 24 | 1 | 1 | 1 | 1 | 1111-2816-01 | Spak | Height adj.lever | | |
| 25 | 1 | 1 | 1 | 1 | 1111-2817-01 | Handtag | Lever knob | | |
| 26 | 2 | 2 | 2 | 2 | 9943-0612-16 | Skruv | Screw | | |
| 27 | 1 | 1 | 1 | 1 | 1111-3031-01 | Dragstång..... | Height adj.rod | | |
| 28 | 2 | 2 | 2 | 2 | 9675-0011-00 | Starlock | Starlock | | |
| 29 | 1 | 1 | 1 | 1 | 1111-2819-01 | Fjäder..... | Spring | | |
| 30A | | 2 | 2 | 2 | 1111-3084-01 | Navkapsel- gul | Hub cap-yellow..... | | 12-9286-69 |
| 30B | 2 | 2 | | | 1111-3443-01 | Navkapsel- silver..... | Hub cap-silver..... | | 12-9286-19, 9298,9498 |
| 31A | | 2 | 2 | 2 | 1111-3086-01 | Navkapsel- gul | Hub cap-yellow..... | | 12-9286-69 |
| 31B | 2 | 2 | | | 1111-3444-01 | Navkapsel- silver..... | Hub cap-silver..... | | 12-9286-19,9298,9498 |

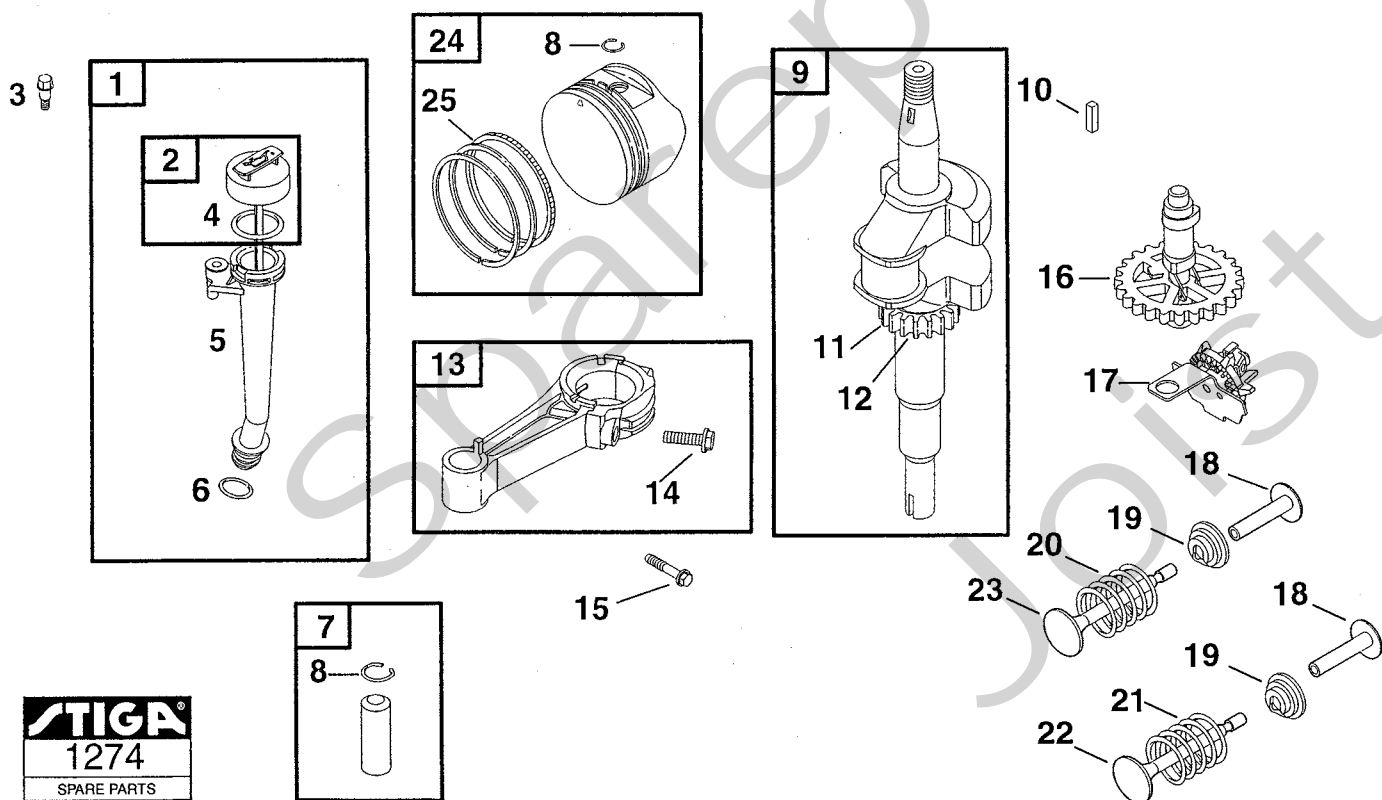


| Utgåva Issue | | Bildnr Picture No | | TURBO 55SE JARDIPRO JP55 ELSTART | | TURBO 55SE JARDIPRO JP55 ELECTRIC STARTER | | Sida Page | |
|-----------------|----------------|----------------------|--|--|-------------------------|---|-------------|---------------------|--|
| 2004-12 | | 1423A | | | | | | 208 | |
| Pos. Fig. | Antal/Quantity | | | Art nr Part No | Benämning | Description | Sats Kit | Anmärkning Notes | |
| | 9298 9698 | 9498 | | | | | | | |
| 1 | 1 | 1 | | 9400-0219-00 | Batteriladdare | Charger | | | |
| 2 | 1 | 1 | | 9401-0200-00 | Kabelhållare | Cable holder | | | |
| 3 | 1 | 1 | | 1111-3558-01 | Batteri | Battery | | | |
| 5 | 1 | 1 | | 1111-3339-01 | Batteribox | Battery holder | | | |
| 6 | 1 | 1 | | 9838-9220-12 | Skruv | Screw | | | |
| 7 | 1 | 1 | | 9699-0060-02 | Planbricka | Flat washer | | | |
| 8 | 2 | | | 9838-9540-12 | Skruv | Screw | | | |
| 9 | 1 | | | 1111-2020-01 | Hus | Housing | | | |
| 10 | 1 | | | 1111-2021-01 | Lock | Cover | | | |
| 11 | 1 | 1 | | 1111-3344-01 | Kabelhärva | Harness | | | |
| 12 | 1 | 1 | | 9400-0186-00 | Tändningslås kpl. | Starting switch assy | | | |
| 12A | 1 | 1 | | 1134-2848-01 | • Tändningsnyckel | • Ignition key | | | |
| 13 | 1 | | | 9838-9216-12 | Skruv | Screw | | | |
| 14 | | 1 | | 1111-2705-01 | Lock | Cover | | | |
| 15 | | 1 | | 1111-2707-01 | Hus | Housing | | | |
| 16 | | 2 | | 9838-9522-12 | Skruv | Screw | | | |

A

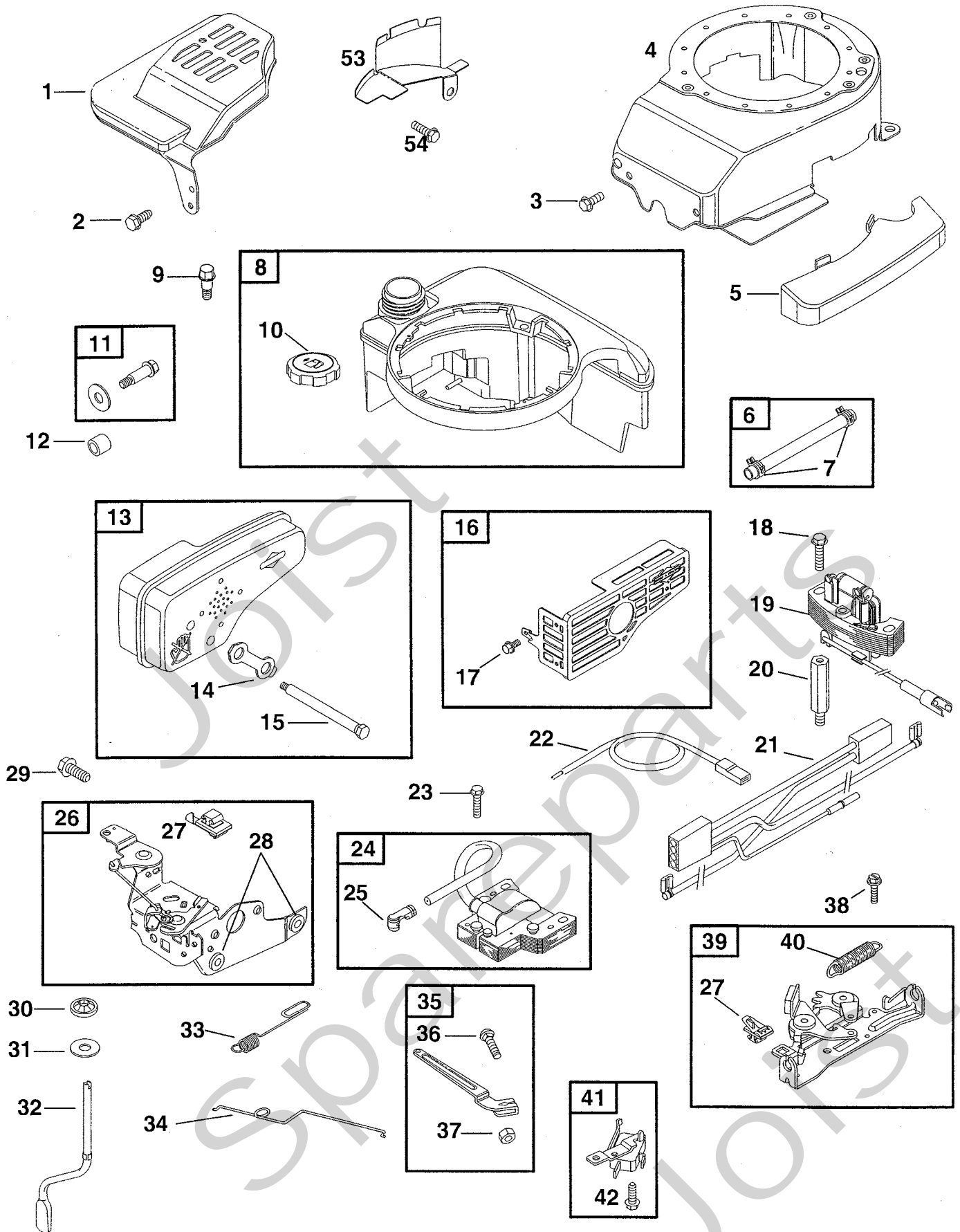


B



| Utgåva Issue 2004-12 | | Bildnr Picture No 1274 | | | | BRIGGS & STRATTON 12H802, 12H807 CYLINDER VEVAXEL | | BRIGGS & STRATTON 12H802, 12H807 CYLINDER CRANKSHAFT | | Sida Page 392 |
|----------------------------|---------------------|------------------------------|---------------------|---------------------|-------------------|--|-----------------------------|---|---------------------|---------------------|
| Pos. Fig. | Antal/Quantity | | | | Art nr Part No | Benämning | Description | Sats Kit | Anmärkning Notes | |
| | 12H 802- 1935 | 12H 807- 1936 | 12H 802- 1966 | 12H 807- 1992 | | | | | | |
| A01 | 1 | 1 | 1 | 1 | 690662 | Mutter..... | Flywheel nut..... | | | |
| A02 | 1 | 1 | 1 | 1 | 695161 | Svånghjuls kopp..... | Flywheel cup..... | | | |
| A03 | 1 | 1 | 1 | 1 | 691919 | Skydd..... | Rewind guard..... | | | |
| A04 | | 1 | | | 691987 | Svånghjul..... | Flywheel..... | | | |
| A04 | 1 | | 1 | | 692315 | Svånghjul..... | Flywheel..... | | | |
| A05 | 1 | 1 | 1 | | 692342 | Lock..... | Cover..... | | | |
| X A05 | | | | 1 | 697734 | Lock..... | Cover..... | | | |
| A06 | 4 | 4 | 4 | 4 | 690345 | Skruv..... | Screw..... | | | |
| A07 | 1 | 1 | 1 | 1 | 691879 | Packning..... | Gasket..... | | | |
| A08 | 1 | 1 | 1 | 1 | 399269 | • Bussning..... | • Bushing..... | | | |
| A09 | 1 | 1 | 1 | 1 | 697322 | Cylinder kpl..... | Cylinder assy..... | | | |
| A10 | 1 | 1 | 1 | 1 | 299819 | Tätningring..... | Oil seal..... | | | |
| A11 | | | 1 | | 499675 | Ventilationsrör..... | Breather tube..... | | | |
| A11 | 1 | 1 | | 1 | 691781 | Ventilationsrör..... | Breather tube..... | | | |
| A12 | 1 | 1 | 1 | 1 | 690450 | Cylinderskydd..... | Cylinder shield..... | | | |
| A13 | 1 | 1 | 1 | 1 | 690345 | Skruv..... | Screw..... | | | |
| A14 | 1 | 1 | 1 | 1 | 691155 | • Ventilsåte- insug..... | • Valve seat- intake..... | | | |
| A15 | 1 | 1 | 1 | 1 | 690380 | • Ventilsåte- utblås..... | • Valve seat- exhaust..... | | | |
| A16 | 1 | 1 | 1 | 1 | 262001 | • Ventilstyrning- utblås..... | • Valve guide- exhaust..... | | | |
| A16 | 1 | 1 | 1 | 1 | 63709 | • Ventilstyrning- insug..... | • Guide- intake valve..... | | | |
| A17 | 1 | 1 | 1 | 1 | 695250 | Vevhusventilation..... | Breather..... | | | |
| A18 | 1 | 1 | 1 | 1 | 696125 | • Packning..... | • Gasket..... | | | |
| A19 | 2 | 2 | 2 | 2 | 691125 | Skruv..... | Screw..... | | | |
| A20 | 1 | 1 | 1 | 1 | 493279 | Vevhus..... | Engine sump..... | | | |
| A21 | 1 | 1 | 1 | 1 | 692232 | • Packning..... | • Gasket..... | | | |
| A22 | 1 | 1 | 1 | 1 | 691680 | Oljeavtappningsplugg..... | Oil drain plug..... | | | |
| A23 | 1 | 1 | 1 | 1 | 399781 | • Tätningring..... | • Oil seal..... | | | |
| A24 | 7 | 7 | 7 | 7 | 691092 | Skruv..... | Screw..... | | | |
| A25 | 1 | 1 | 1 | 1 | 692249 | Packning..... | Gasket..... | | | |
| A26 | 1 | 1 | 1 | 1 | 691160 | Topplock..... | Cylinder head..... | | | |
| A27 | 1 | 1 | 1 | 1 | 1111- 9029- 01 | Tändstiftsnyckel..... | Spark plug wrench..... | | | |
| A28 | 1 | 1 | 1 | 1 | 9400- 0225- 00 | Tändstift..... | Spark plug..... | | Champion J19LM | |
| A29 | 1 | 1 | 1 | 1 | 66538 | Tändstiftsskydd..... | Spark plug elbow..... | | | |
| A30 | 8 | 8 | 8 | 8 | 690912 | Skruv..... | Screw..... | | | |
| B01 | 1 | 1 | 1 | 1 | 692017 | Oljesticka kpl..... | Oil dipstick assy..... | | | |
| B02 | 1 | 1 | 1 | 1 | 495264 | • Oljesticka..... | • Oil dipstick..... | | | |
| B03 | 1 | 1 | 1 | 1 | 690940 | Skruv..... | Screw..... | | | |
| B04 | 1 | 1 | 1 | 1 | 691031 | • O- ring..... | • O- ring..... | | | |
| B05 | 1 | 1 | 1 | 1 | 495265 | • Oljepåfyllningsrör..... | • Oil filler tube..... | | | |
| B06 | 1 | 1 | 1 | 1 | 692296 | • Tätningring..... | • Tube seal..... | | | |
| B07 | 1 | 1 | 1 | 1 | 499423 | Kolvbult..... | Piston pin..... | | | |
| B08 | 2 | 2 | 2 | 2 | 691866 | • Låsring..... | • Lock ring..... | | | |
| B09 | 1 | 1 | 1 | 1 | 691452 | Vevaxel..... | Crankshaft..... | | | |
| B10 | 1 | 1 | 1 | 1 | 222698 | Kil..... | Key..... | | | |
| B11 | 1 | 1 | 1 | 1 | 691830 | • Drev..... | • Timing gear..... | | | |
| B12 | 1 | 1 | 1 | 1 | 690979 | • Kil..... | • Timing key..... | | | |
| B13 | 1 | 1 | 1 | 1 | 499424 | Vevstake..... | Connecting rod..... | | | |
| B14 | 1 | 1 | 1 | 1 | 691664 | • Skruv..... | • Screw..... | | | |
| B15 | 1 | 1 | 1 | 1 | 695759 | Skruv..... | Screw..... | | | |
| B16 | 1 | 1 | 1 | 1 | 691449 | Kamaxel..... | Camshaft..... | | | |
| B17 | 1 | 1 | 1 | 1 | 691997 | Oljeslungare..... | Oil slinger..... | | | |
| B18 | 2 | 2 | 2 | 2 | 690548 | Ventilyftare..... | Valve tappet..... | | | |
| B19 | 2 | 2 | 2 | 2 | 692194 | Ventilhållare..... | Valve retainer..... | | | |
| B20 | 1 | 1 | 1 | 1 | 691270 | Ventilfjäder..... | Valve spring..... | | | |
| B21 | 1 | 1 | 1 | 1 | 691270 | Ventilfjäder..... | Valve spring..... | | | |
| B22 | 1 | 1 | 1 | 1 | 262651 | Utblåsningsventil..... | Exhaust valve..... | | | |
| B23 | 1 | 1 | 1 | 1 | 262652 | Insugningsventil..... | Intake valve..... | | | |
| B24 | 1 | 1 | 1 | 1 | 499429 | Kolv kpl..... | Piston assy..... | | Standard | |
| B24 | 1 | 1 | 1 | 1 | 499430 | Kolv kpl..... | Piston assy..... | | .010" oversize | |
| B24 | 1 | 1 | 1 | 1 | 499431 | Kolv kpl..... | Piston assy..... | | .020" oversize | |
| B25 | 1 | 1 | 1 | 1 | 499425 | • Kolvringsatts..... | • Ring set..... | | Standard | |
| B25 | 1 | 1 | 1 | 1 | 499426 | • Kolvringsatts..... | • Ring set..... | | .010" oversize | |
| B25 | 1 | 1 | 1 | 1 | 499427 | • Kolvringsatts..... | • Ring set..... | | .020" oversize | |

A

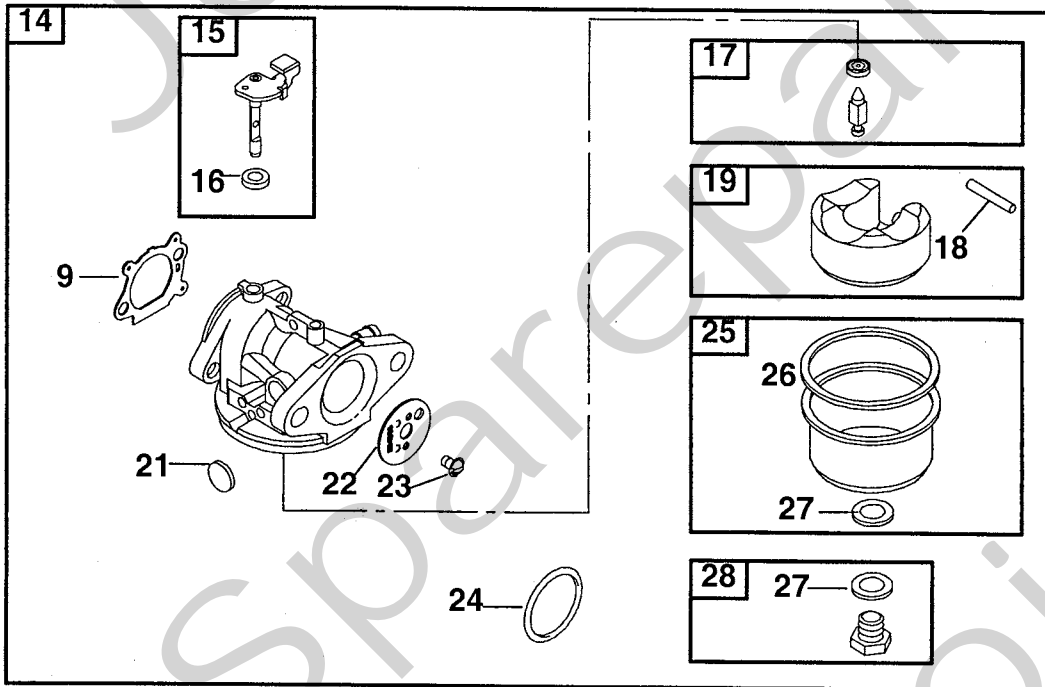
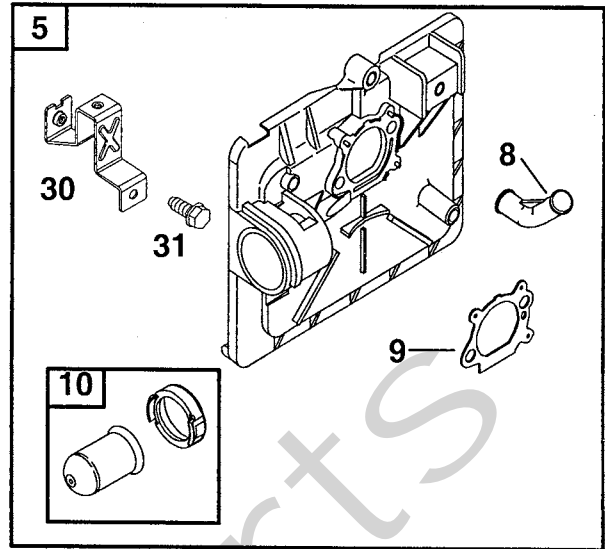
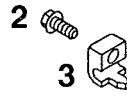
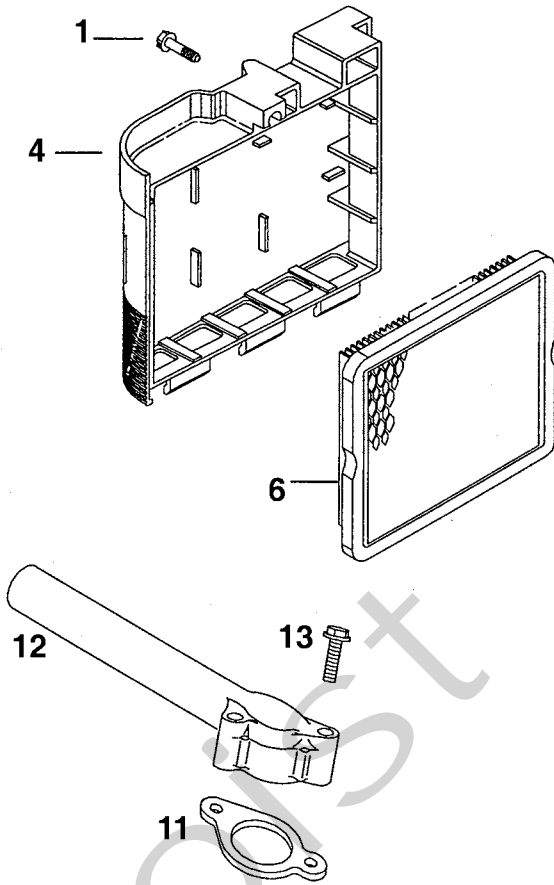


| Utgåva Issue 2004-12 | | Bildnr Picture No 1275 | | | | BRIGGS & STRATTON 12H802, 12H807 BRÄNSLETANK REGULATOR | | BRIGGS & STRATTON 12H802, 12H807 FUEL TANK GOVERNOR | | Sida Page 394 |
|----------------------------|---------------------|------------------------------|---------------------|---------------------|-------------------|---|----------------------------|--|---------------------|---------------------|
| Pos. Fig. | Antal/Quantity | | | | Art nr Part No | Benämning | Description | Sats Kit | Anmärkning Notes | |
| | 12H 802- 1935 | 12H 807- 1936 | 12H 802- 1966 | 12H 807- 1992 | | | | | | |
| A01 | 1 | 1 | 1 | 1 | 691757 | Lock..... | Control cover | | | |
| A02 | 1 | 1 | 1 | 1 | 690664 | Skruv | Screw | | | |
| A03 | 4 | 4 | 4 | 4 | 691108 | Skruv | Screw | | | |
| A04 | 1 | 1 | 1 | 1 | 493293 | Fläkthus | Blower housing | | | |
| A05 | 1 | 1 | 1 | 1 | 690595 | Lock..... | Brake cover | | | |
| A06 | 1 | | 1 | | 691050 | Bränsleslang | Fuel line..... | | | |
| A06 | | 1 | | 1 | 691371 | Bränsleslang | Fuel line..... | | | |
| A07 | 2 | 2 | 2 | 2 | 95162 | Slangklämma..... | Hose clamp | | | |
| A08 | 1 | 1 | 1 | | 495224 | Bränsletank..... | Fuel tank | | | |
| A08 | | | | 1 | 699374 | Bränsletank..... | Fuel tank | | | |
| A09 | 2 | 2 | 2 | 2 | 690940 | Skruv | Screw | | | |
| A10 | 1 | 1 | 1 | 1 | 397974 | • Tanklock | • Fuel cap..... | | | |
| A11 | 1 | 1 | 1 | 1 | 692311 | Skruv/bricka | Screw/washer | | | |
| A12 | 1 | 1 | 1 | 1 | 692294 | Distans | Spacer | | | |
| A13 | 1 | 1 | 1 | 1 | 692038 | Ljuddämpare | Muffler | | | |
| A14 | 1 | 1 | 1 | 1 | 691740 | • Låsbleck | • Screw lock | | | |
| A15 | 2 | 2 | 2 | 2 | 691340 | • Skruv | • Screw | | | |
| A16 | 1 | 1 | 1 | 1 | 499034 | Skydd | Guard | | | |
| A17 | 2 | 2 | 2 | 2 | 690664 | • Skruv | • Screw | | | |
| A18 | | 2 | | 2 | 691648 | Skruv | Screw | | | |
| A19 | | 1 | | 1 | 691991 | Generator..... | Alternator | | | |
| A20 | | 2 | | 2 | 691094 | Pinnbult | Stud | | | |
| A21 | | 1 | | 1 | 696547 | Kablage..... | Wiring harness..... | | | |
| A22 | 1 | 1 | 1 | 1 | 692390 | Stoppkabel..... | Stop wire..... | | | |
| A23 | 2 | 2 | 2 | 2 | 691061 | Skruv | Screw | | | |
| A24 | 1 | 1 | 1 | 1 | 802574 | Tändsystem | Magneto armature..... | | | |
| A25 | 1 | 1 | 1 | 1 | 493880 | • Anslutningshylsa | • Terminal | | | |
| A26 | 1 | 1 | 1 | 1 | 692031 | Reglageplåt | Control bracket | | | |
| A27 | 2 | 2 | 2 | 2 | 692310 | • Stoppkontakt | • Stop switch | | | |
| A28 | 1 | 1 | 1 | 1 | 493823 | • Distans | • Spacer | | | |
| A29 | 2 | 2 | 2 | 2 | 690877 | Skruv | Screw | | | |
| A30 | 1 | 1 | 1 | 1 | 690340 | Hållare | Retainer | | | |
| A31 | 1 | 1 | 1 | 1 | 690272 | Bricka | Washer | | | |
| A32 | 1 | 1 | | | 691308 | Regulatoraxel..... | Governor crank | | | |
| A32 | | | 1 | 1 | 698801 | Regulatoraxel..... | Governor crank | | | |
| A33 | 1 | 1 | 1 | 1 | 691292 | Regulatorfjäder..... | Governor spring | | | |
| A34 | 1 | 1 | 1 | 1 | 691829 | Regulatorlänk | Governor link | | | |
| A35 | 1 | 1 | 1 | 1 | 690783 | Regulatorarm..... | Govern. control lever..... | | | |
| A36 | | | | 1 | 691119 | • Bult | • Bolt | | | |
| A36 | 1 | 1 | 1 | | 92613 | • Skruv | • Screw | | | |
| A37 | 1 | 1 | | | 231082 | • Mutter | • Nut | | | |
| A37 | | | 1 | 1 | 691251 | • Mutter | • Nut | | | |
| A38 | 2 | 2 | 2 | 2 | 691648 | Skruv | Screw | | | |
| A39 | 1 | 1 | 1 | 1 | 691994 | Broms..... | Brake..... | | | |
| A40 | 1 | 1 | 1 | 1 | 691831 | • Bromsfjäder..... | • Brake spring..... | | | |
| A41 | | 1 | | 1 | 499421 | Brytare..... | Switch | | | |
| A42 | | 1 | | 1 | 691627 | • Skruv | • Screw | | | |
| A53 | 1 | 1 | 1 | | 694086 | Svänghjulsskydd | Flywheel guard | | | |
| A54 | 1 | 1 | 1 | | 691108 | Skruv | Screw | | | |

X

2 st/includes 2

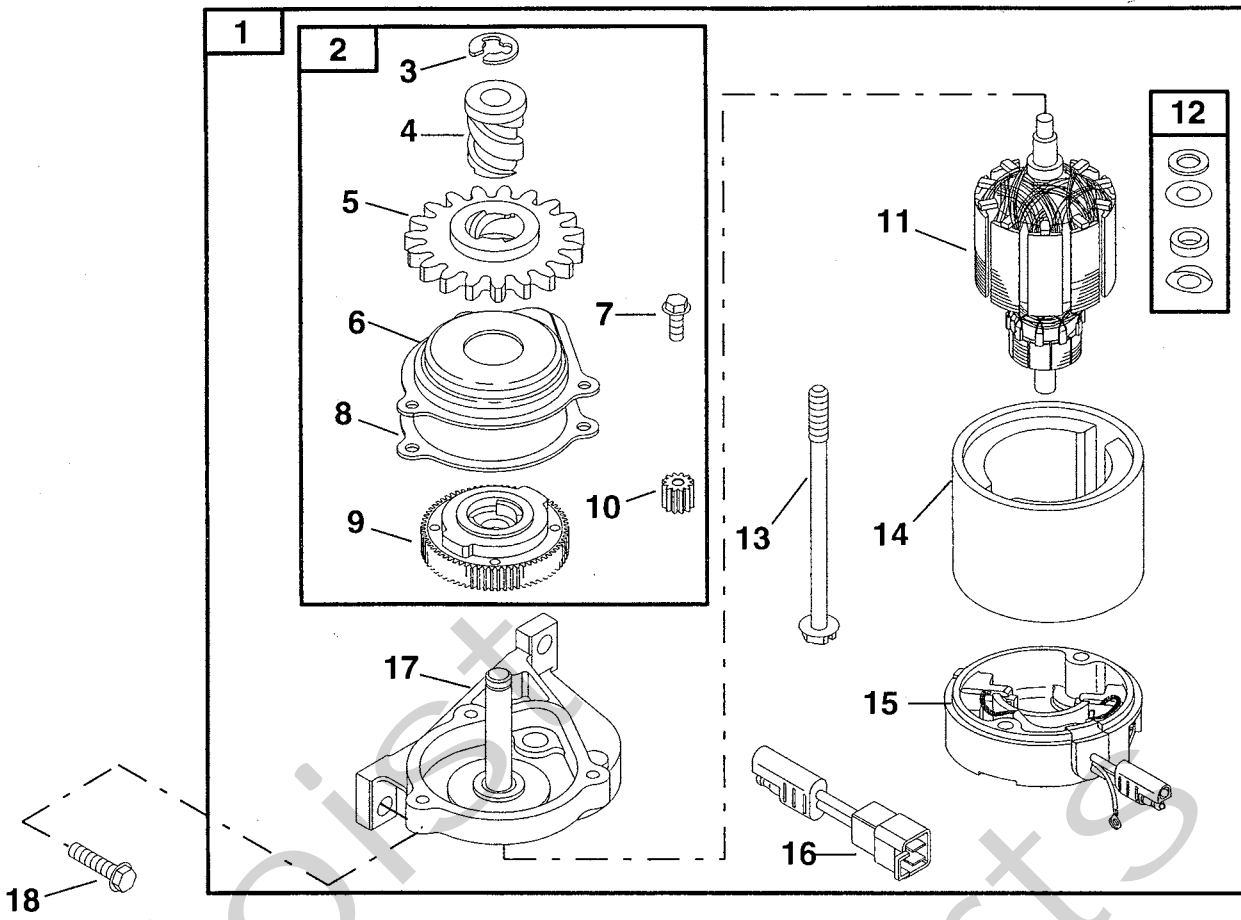
A



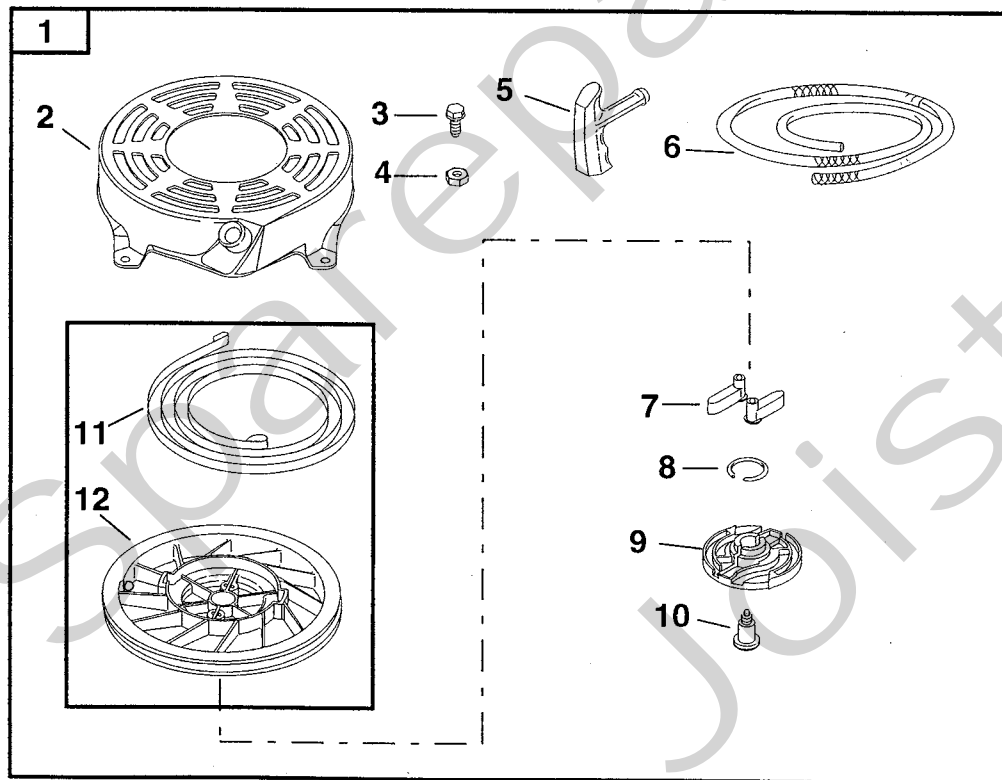
| Utgåva Issue | | Bildnr Picture No | | | | BRIGGS & STRATTON 12H802, 12H807 LUFTFILTER FÖRGASARE | | BRIGGS & STRATTON 12H802, 12H807 AIR CLEANER CARBURETTOR | | Sida Page |
|-----------------|---------------------|----------------------|---------------------|---------------------|-------------------|--|-------------------------|---|---------------------|--------------|
| 2004-12 | | 1276A | | | | | | | | 396 |
| Pos. Fig. | Antal/Quantity | | | | Art nr Part No | Benämning | Description | Sats Kit | Anmärkning Notes | |
| | 12H 802- 1935 | 12H 807- 1936 | 12H 802- 1966 | 12H 807- 1992 | | | | | | |
| A01 | 1 | 1 | 1 | 1 | 690670 | Skruv | Screw | | | |
| A02 | 1 | 1 | 1 | 1 | 691044 | Skruv | Screw | | | |
| A03 | 1 | 1 | 1 | 1 | 690798 | Wireklämma | Casing clamp | | | |
| A04 | 1 | 1 | 1 | 1 | 692298 | Luftrenarlock | Air cleaner cover | | | |
| A05 | 1 | 1 | 1 | 1 | 496116 | Luftrenarfäste | Air cleaner base | | | |
| A06 | 1 | 1 | 1 | 1 | 491588 | Pappersfilter | Air filter | | | |
| A07 | 2 | 2 | 2 | 2 | 692523 | Skruv | Screw | | | |
| A08 | 1 | 1 | 1 | 1 | 691923 | • Hylsa | • Grommet | | | |
| A09 | 1 | 1 | 1 | 1 | 272653 | • Packning | • Gasket | | | |
| A10 | 1 | 1 | 1 | 1 | 694395 | • Primer | • Primer | | | |
| A11 | 1 | 1 | 1 | 1 | 272199 | Packning | Gasket | | | |
| A12 | 1 | 1 | 1 | 1 | 497465 | Insugningsrör | Intake pipe | | | |
| A13 | 2 | 2 | 2 | 2 | 691650 | Skruv | Screw | | | |
| A14 | 1 | 1 | 1 | 1 | 498170 | Förgasare kpl. | Carburettor assy | | | |
| A15 | 1 | 1 | 1 | 1 | 696565 | • Spjällaxel | • Throttle shaft | | | |
| A16 | 1 | 1 | 1 | 1 | 691321 | • Dammtätning | • Dust seal | | | |
| A17 | 1 | 1 | 1 | 1 | 398188 | • Bränslenål | • Inlet valve | | | |
| A18 | 1 | 1 | 1 | 1 | 691242 | • Flöttörlaxel | • Float hinge pin | | | |
| A19 | 1 | 1 | 1 | 1 | 398187 | • Flöttör | • Float | | | |
| A20 | 2 | 2 | 2 | 2 | 692524 | Skruv | Screw | | | |
| A21 | 1 | 1 | 1 | 1 | 694468 | • Expansionsbricka | • Welch plug | | | |
| A22 | 1 | 1 | 1 | 1 | 696564 | • Gasspjäll | • Throttle valve | | | |
| A23 | 1 | 1 | 1 | 1 | 691636 | • Skruv | • Screw | | | |
| A24 | 1 | 1 | 1 | 1 | 270344 | • Tätning | • Seal | | | |
| A25 | 1 | 1 | 1 | 1 | 493640 | • Flöttörhus | • Bowl | | | |
| A26 | 1 | 1 | 1 | 1 | 693981 | • Packning | • Gasket | | | |
| A27 | 1 | 1 | 1 | 1 | 271716 | • Tätningsbricka | • Sealing washer | | | |
| A28 | 1 | 1 | 1 | 1 | 498978 | • Huvudmunstycke | • Main jet | | | |
| A29 | | | | | 494870 | Huvudmunstycke | Main jet | | | |
| A29 | 1 | 1 | 1 | 1 | 497466 | Huvudmunstycke | Main jet | | | |
| A30 | 1 | 1 | 1 | 1 | 691753 | • Fäste | • Bracket | | | |
| A31 | 1 | 1 | 1 | 1 | 691669 | • Skruv | • Screw | | | |

Standard
High altitude
High altitude

A

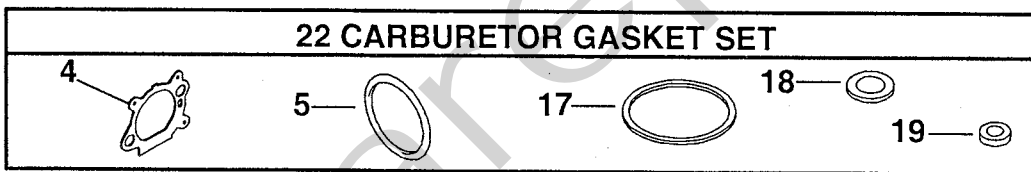
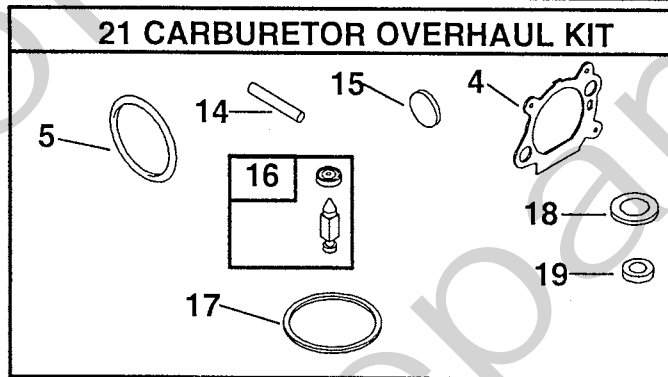
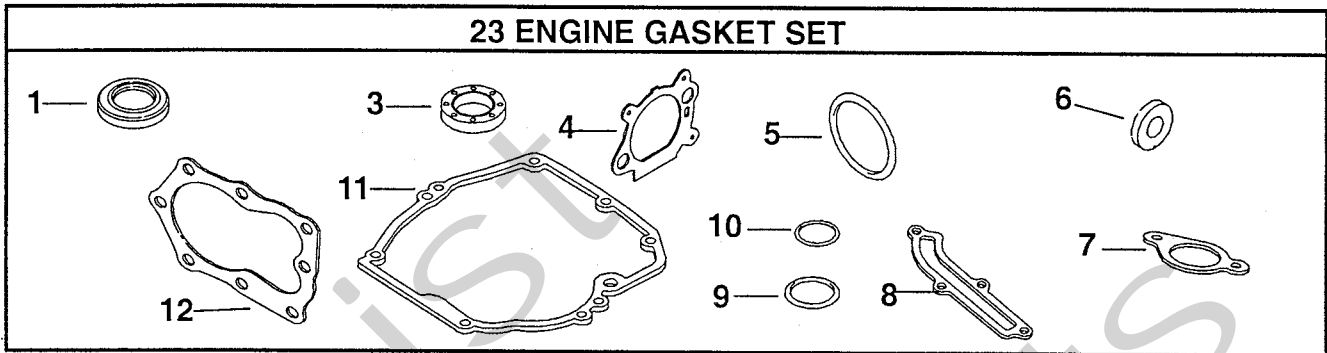


B

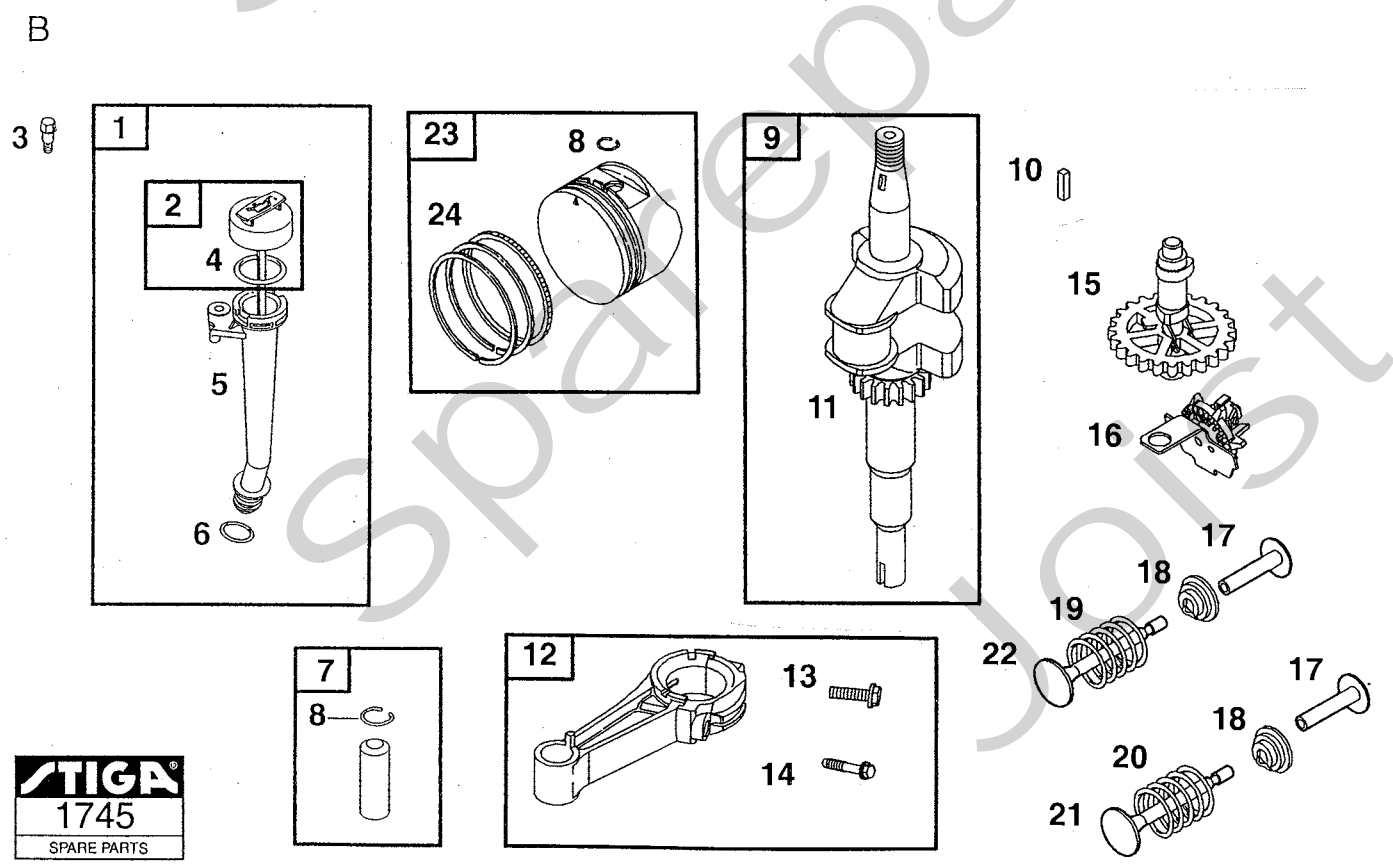
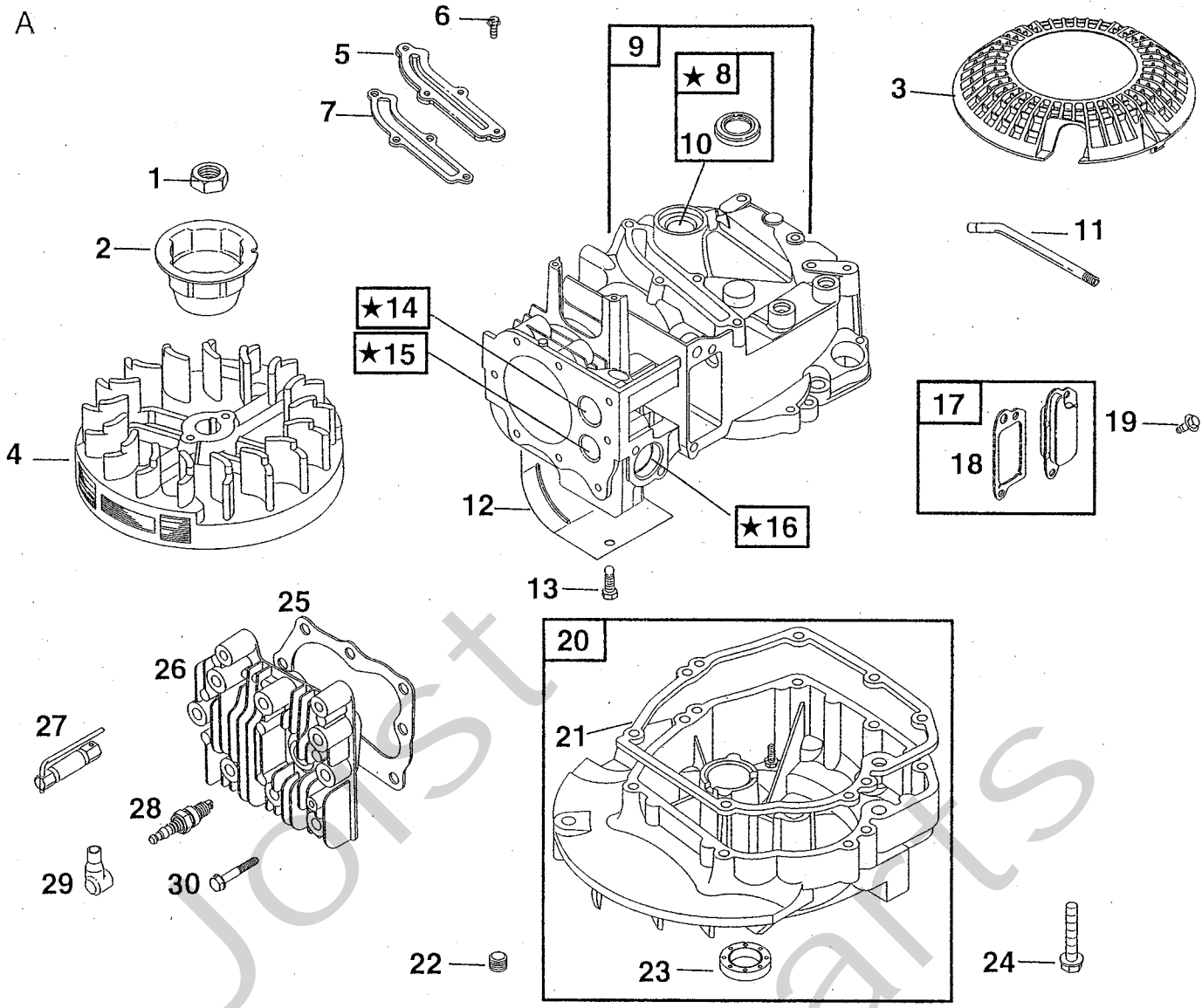


| Utgåva Issue | | Bildnr Picture No | | | | BRIGGS & STRATTON 12H802, 12H807 STARTMOTOR SNÖRSTART | | BRIGGS & STRATTON 12H802, 12H807 STARTER MOTOR REWIND STARTER | | Sida Page | |
|-----------------|---------------------|----------------------|---------------------|---------------------|-------------------|--|-----------------------------|--|---------------------|--------------|--|
| Pos. Fig. | Antal/Quantity | | | | Art nr Part No | Benämning | Description | Sats Kit | Anmärkning Notes | | |
| | 12H 802- 1935 | 12H 807- 1936 | 12H 802- 1966 | 12H 807- 1992 | | | | | | | |
| A01 | | 1 | | 1 | 695550 | Startmotor kpl | Starter motor assy | | | | |
| A02 | | 1 | | 1 | 494147 | • Drev kpl | • Drive kit | | | | |
| A03 | | 1 | | 1 | 93941 | •• Låsring | •• Retainer | | | | |
| A04 | | 1 | | 1 | 691325 | •• Snäckdrev | •• Starter spline | | | | |
| A05 | | 1 | | 1 | 691918 | •• Drev | •• Pinion gear | | | | |
| A06 | | 1 | | 1 | 692341 | •• Lock | •• Cover | | | | |
| A07 | | 3 | | 3 | 690345 | •• Skruv | •• Screw | | | | |
| A08 | | 1 | | 1 | 692352 | •• Packning | •• Gasket | | | | |
| A09 | | 1 | | 1 | 692358 | •• Koppling | •• Drive clutch | | | | |
| A10 | | 1 | | 1 | 691269 | •• Drev | •• Pinion gear | | | | |
| A11 | | 1 | | 1 | 690786 | • Rotor | • Starter armature | | | | |
| A12 | | 1 | | 1 | 492919 | • Brickor | • Washer set | | | | |
| A13 | | 2 | | 2 | 692327 | • Bult | • Bolt | | | | |
| A14 | | 1 | | 1 | 695266 | • Starthus | • Starter housing | | | | |
| A15 | | 1 | | 1 | 695267 | • Bottenkåpa | • End cap | | | | |
| A16 | | 1 | | 1 | 695268 | • Kabeladapter | • Wire adapter | | | | |
| A17 | | 1 | | 1 | 690782 | • Lock | • Drive cap | | | | |
| A18 | | 2 | | 2 | 691127 | Skruv | Screw | | | | |
| B01 | 1 | 1 | 1 | 1 | 497680 | Start kpl | Starter assy | | | | |
| B02 | 1 | 1 | 1 | 1 | 691421 | • Starthus | • Starter housing | | | | |
| B03 | 4 | 4 | 4 | 4 | 690837 | • Skruv | • Screw | | | | |
| B04 | 4 | 4 | 4 | 4 | 690800 | • Mutter | • Nut | | | | |
| B05 | 1 | 1 | 1 | 1 | 281434 | • Starthandtag | • Handle | | | | |
| B06 | 1 | 1 | 1 | 1 | 692259 | • Startsnöre | • Starter rope | | | | |
| B06 | 1 | 1 | 1 | 1 | 697316 | • Startsnöre | • Starter rope | | | | |
| B07 | 2 | 2 | 2 | 2 | 281505 | • Startklo | • Starter pawl | | | | |
| B08 | 1 | 1 | 1 | 1 | 691855 | • Friktionsfjäder | • Friction spring | | | | |
| B09 | 1 | 1 | 1 | 1 | 692299 | • Spärrplatta | • Pawl friction plate | | | | |
| B10 | 1 | 1 | 1 | 1 | 691696 | • Skruv | • Screw | | | | |
| B11 | 1 | 1 | 1 | 1 | 498144 | • Linhjul m. fjäder | • Pulley/spring | | | | |
| B12 | 1 | 1 | 1 | 1 | 498144 | • Linhjul m. fjäder | • Pulley/spring | | | | |

X

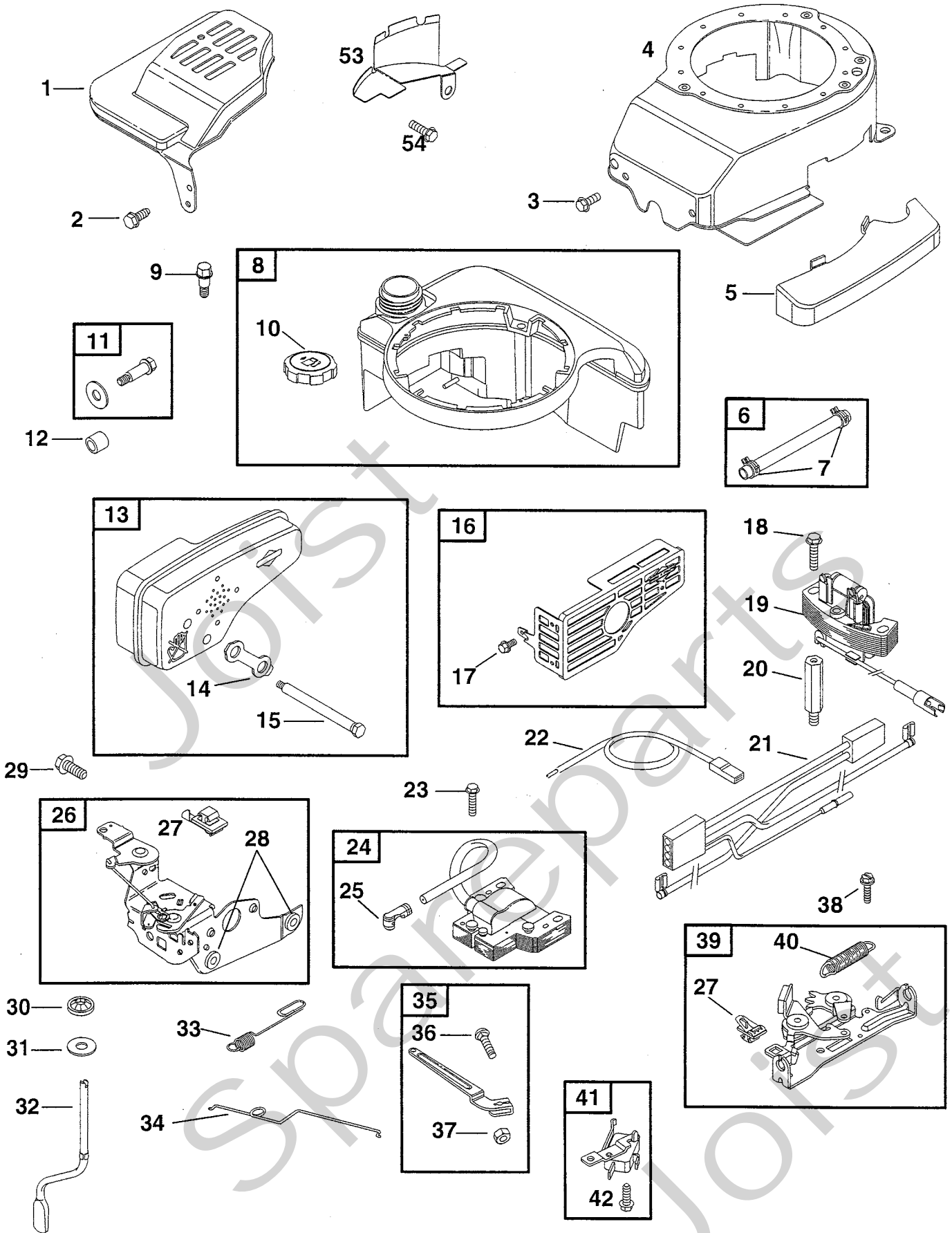


| Utgåva Issue 2004-12 | | Bildnr Picture No 1278A | | BRIGGS & STRATTON 12H802, 12H807 PACKNINGSSATS | | BRIGGS & STRATTON 12H802, 12H807 GASKET SET | | Sida Page 400 | |
|----------------------------|---------------------|-------------------------------|---------------------|--|-------------------|---|-------------------------|---------------------|---------------------|
| Pos. Fig. | Antal/Quantity | | | | Art nr Part No | Benämning | Description | Sats Kit | Anmärkning Notes |
| | 12H 802- 1935 | 12H 807- 1936 | 12H 802- 1966 | 12H 807- 1992 | | | | | |
| A01 | 1 | 1 | 1 | 1 | 299819 | • Tätningsring | • Oil seal | | |
| A03 | 1 | 1 | 1 | 1 | 399781 | • Tätningsring | • Oil seal | | |
| A04 | 1 | 1 | 1 | 1 | 272653 | • Packning..... | • Gasket | | |
| A05 | 1 | 1 | 1 | 1 | 270344 | • Tätning | • Seal | | |
| A06 | 1 | 1 | 1 | 1 | 493823 | • Distans | • Spacer | | |
| A07 | 1 | 1 | 1 | 1 | 272199 | • Packning..... | • Gasket | | |
| A08 | 1 | 1 | 1 | 1 | 691879 | • Packning..... | • Gasket | | |
| A09 | 1 | 1 | 1 | 1 | 691031 | • O- ring..... | • O- ring | | |
| A10 | 1 | 1 | 1 | 1 | 692296 | • Tätningsring | • Tube seal | | |
| A11 | 1 | 1 | 1 | 1 | 692232 | • Packning..... | • Gasket | | |
| A12 | 1 | 1 | 1 | 1 | 692249 | • Packning..... | • Gasket | | |
| A14 | 1 | 1 | 1 | 1 | 691242 | • Flottöraxel..... | • Float hinge pin..... | | |
| A15 | 1 | 1 | 1 | 1 | 694468 | • Expansionsbricka..... | • Welch plug | | |
| A16 | 1 | 1 | 1 | 1 | 398188 | • Bränslenål..... | • Inlet valve | | |
| A17 | 1 | 1 | 1 | 1 | 693981 | • Packning..... | • Gasket | | |
| A18 | 1 | 1 | 1 | 1 | 271716 | • Tätningsbricka..... | • Sealing washer..... | | |
| A19 | 1 | 1 | 1 | 1 | 691321 | • Dammtätning | • Dust seal | | |
| A21 | 1 | 1 | 1 | 1 | 498260 | Rep.sats förgasare..... | Carb. overhaul kit..... | | |
| A22 | 1 | 1 | 1 | 1 | 498261 | Packn.sats- förg..... | Gasket set- carb. | | |
| A23 | 1 | 1 | 1 | 1 | 497316 | Packn.sats- motor..... | Gasket set- engine..... | | |



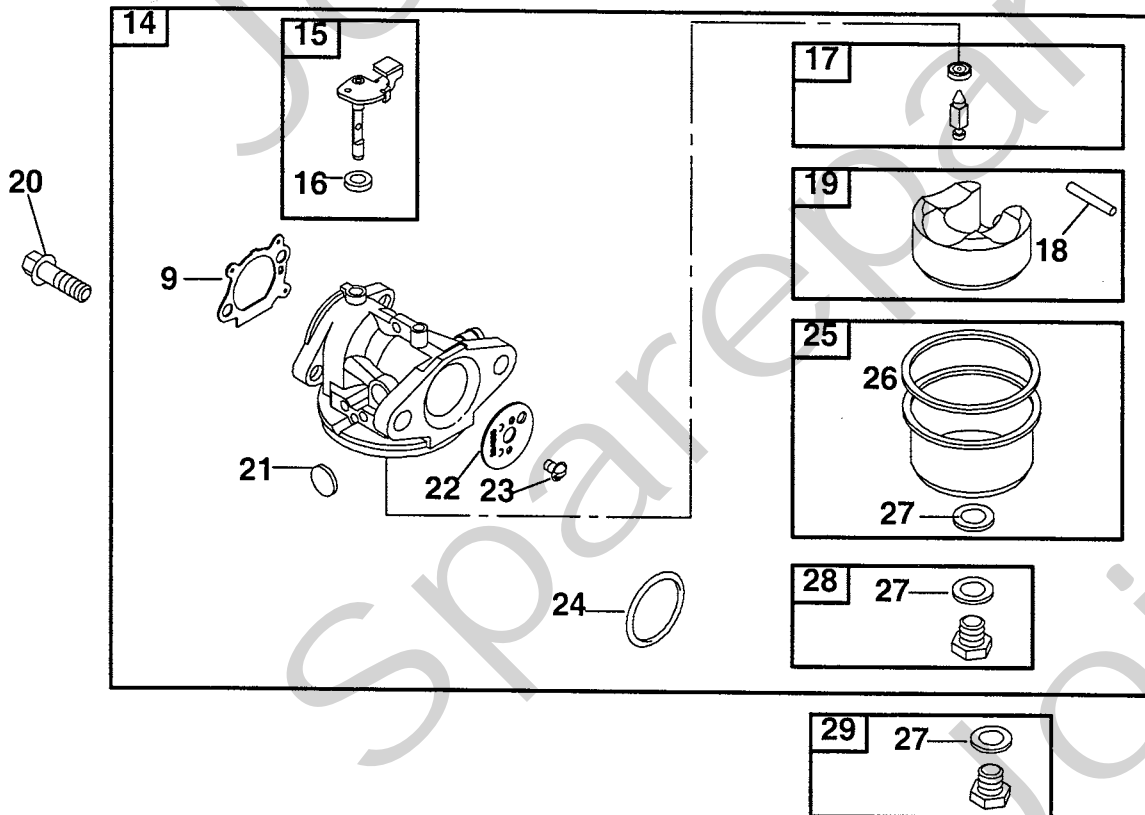
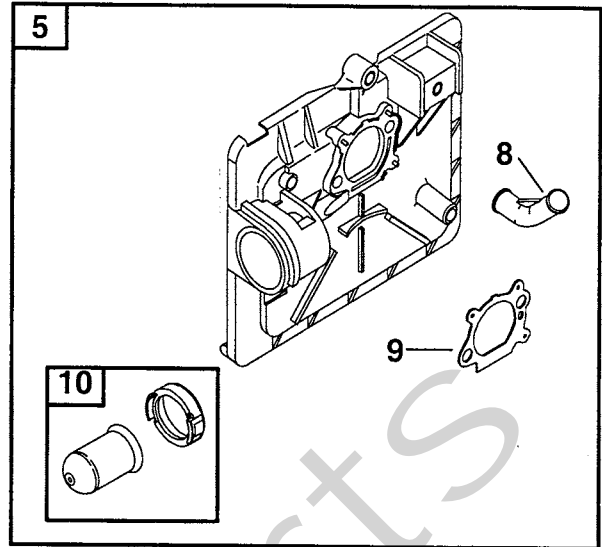
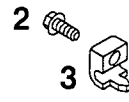
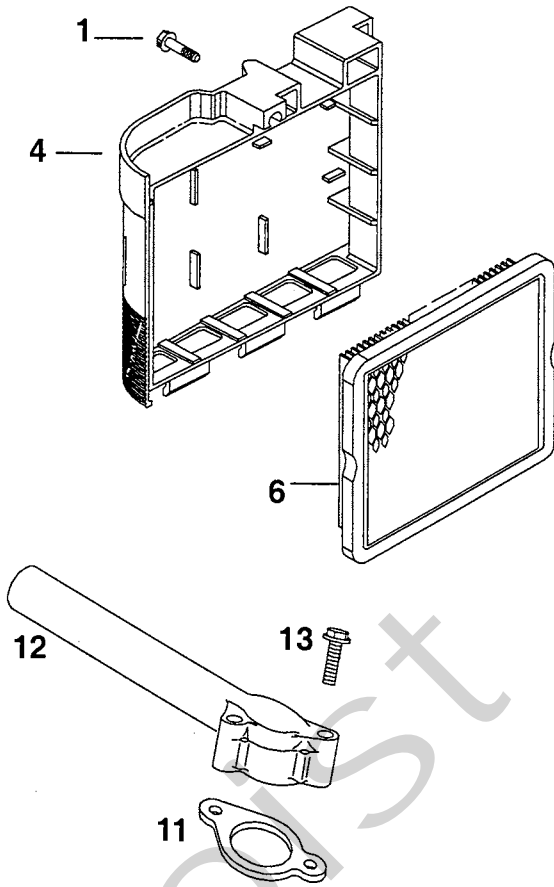
| Utgåva Issue 2004-12 | | Bildnr Picture No 1745 | | BRIGGS & STRATTON 12H802, 12H807 CYLINDER VEVAXEL | | BRIGGS & STRATTON 12H802, 12H807 CYLINDER CRANKSHAFT | | Sida Page 402 |
|----------------------------|---------------------|------------------------------|---|--|-------------------------------|---|-------------|---------------------|
| Pos. Fig. | Antal/Quantity | | | Art nr Part No | Benämning | Description | Sats Kit | Anmärkning Notes |
| | 12H 802- 2004 | 12H 807- 2003 | | | | | | |
| X | A01 | 1 | 1 | 690662 | Mutter..... | Flywheel nut..... | | |
| | A02 | 1 | 1 | 695161 | Svånghjulskopp..... | Flywheel cup..... | | |
| | A03 | 1 | 1 | 691919 | Skydd..... | Rewind guard..... | | |
| | A04 | 1 | 1 | 691987 | Svånghjul..... | Flywheel..... | | |
| | A04 | 1 | 1 | 692315 | Svånghjul..... | Flywheel..... | | |
| | A05 | 1 | 1 | 697734 | Lock..... | Cover..... | | |
| | A06 | 4 | 4 | 690345 | Skruv..... | Screw..... | | |
| | A07 | 1 | 1 | 691879 | Packning..... | Gasket..... | | |
| | A08 | 1 | 1 | 399269 | • Bussning..... | • Bushing..... | | |
| | A09 | 1 | 1 | 697322 | Cylinder kpl..... | Cylinder assy..... | | |
| | A10 | 1 | 1 | 299819 | Tätningring..... | Oil seal..... | | |
| | A11 | 1 | 1 | 499675 | Ventilationsrör..... | Breather tube..... | | |
| | A11 | 1 | 1 | 691781 | Ventilationsrör..... | Breather tube..... | | |
| | A12 | 1 | 1 | 690450 | Cylinderskydd..... | Cylinder shield..... | | |
| | A13 | 1 | 1 | 690345 | Skruv..... | Screw..... | | |
| | A14 | 1 | 1 | 691155 | • Ventilåsa- insug..... | • Valve seat- intake..... | | |
| | A15 | 1 | 1 | 690380 | • Ventilåsa- utblås..... | • Valve seat- exhaust..... | | |
| | A16 | 1 | 1 | 262001 | • Ventilstyrning- utblås..... | • Valve guide- exhaust..... | | |
| | A16 | 1 | 1 | 63709 | • Ventilstyrning- insug..... | • Guide- intake valve..... | | |
| | A17 | 1 | 1 | 695250 | Vevhusventilation..... | Breather..... | | |
| X | A18 | 1 | 1 | 699472 | • Packning..... | • Gasket..... | | |
| | A19 | 2 | 2 | 691125 | Skruv..... | Screw..... | | |
| | A20 | 1 | 1 | 493279 | Vevhus..... | Engine sump..... | | |
| | A21 | 1 | 1 | 692232 | • Packning..... | • Gasket..... | | |
| | A22 | 1 | 1 | 691680 | Oljeavtappningsplugg..... | Oil drain plug..... | | |
| | A23 | 1 | 1 | 399781 | • Tätningring..... | • Oil seal..... | | |
| | A24 | 7 | 7 | 691092 | Skruv..... | Screw..... | | |
| | A25 | 1 | 1 | 692249 | Packning..... | Gasket..... | | |
| | A26 | 1 | 1 | 691160 | Topplöck..... | Cylinder head..... | | |
| | A27 | 1 | 1 | 1111- 9029- 01 | Tändstiftsnyckel..... | Spark plug wrench..... | | |
| | A28 | 1 | 1 | 9400- 0225- 00 | Tändstift..... | Spark plug..... | | Champion J19LM |
| | A29 | 1 | 1 | 66538 | Tändstiftsskydd..... | Spark plug elbow..... | | |
| | A30 | 8 | 8 | 690912 | Skruv..... | Screw..... | | |
| | B01 | 1 | 1 | 692017 | Oljesticka kpl..... | Oil dipstick assy..... | | |
| | B02 | 1 | 1 | 495264 | • Oljesticka..... | • Oil dipstick..... | | |
| | B03 | 1 | 1 | 690940 | Skruv..... | Screw..... | | |
| | B04 | 1 | 1 | 691031 | • O- ring..... | • O- ring..... | | |
| | B05 | 1 | 1 | 495265 | • Oljepåfyllningsrör..... | • Oil filler tube..... | | |
| | B06 | 1 | 1 | 692296 | • Tätningring..... | • Tube seal..... | | |
| | B07 | 1 | 1 | 499423 | Kolvbult..... | Piston pin..... | | |
| | B08 | 2 | 2 | 691866 | • Låsring..... | • Lock ring..... | | |
| X | B09 | 1 | 1 | 691451 | Vevaxel..... | Crankshaft..... | | |
| | B10 | 1 | 1 | 222698 | Kil..... | Key..... | | |
| X | B11 | 1 | 1 | 790345 | • Drev..... | • Timing gear..... | | |
| | B12 | 1 | 1 | 499424 | Vevstake..... | Connecting rod..... | | |
| | B13 | 1 | 1 | 691664 | • Skruv..... | • Screw..... | | |
| | B14 | 1 | 1 | 695759 | • Skruv..... | • Screw..... | | |
| | B15 | 1 | 1 | 691449 | Kamaxel..... | Camshaft..... | | |
| | B16 | 1 | 1 | 691997 | Oljeslångare..... | Oil slinger..... | | |
| | B17 | 2 | 2 | 690548 | Ventilyftare..... | Valve tappet..... | | |
| | B18 | 2 | 2 | 692194 | Ventilhållare..... | Valve retainer..... | | |
| | B19 | 1 | 1 | 691270 | Ventilfjäder..... | Valve spring..... | | |
| | B20 | 1 | 1 | 691270 | Ventilfjäder..... | Valve spring..... | | |
| | B21 | 1 | 1 | 262651 | Utblåsningsventil..... | Exhaust valve..... | | |
| | B22 | 1 | 1 | 262652 | Insugningsventil..... | Intake valve..... | | |
| X | B23 | 1 | 1 | 790359 | Kolv..... | Piston..... | | Standard |
| X | B24 | 1 | 1 | 790360 | • Kolvringssats..... | • Ring set..... | | Standard |

A



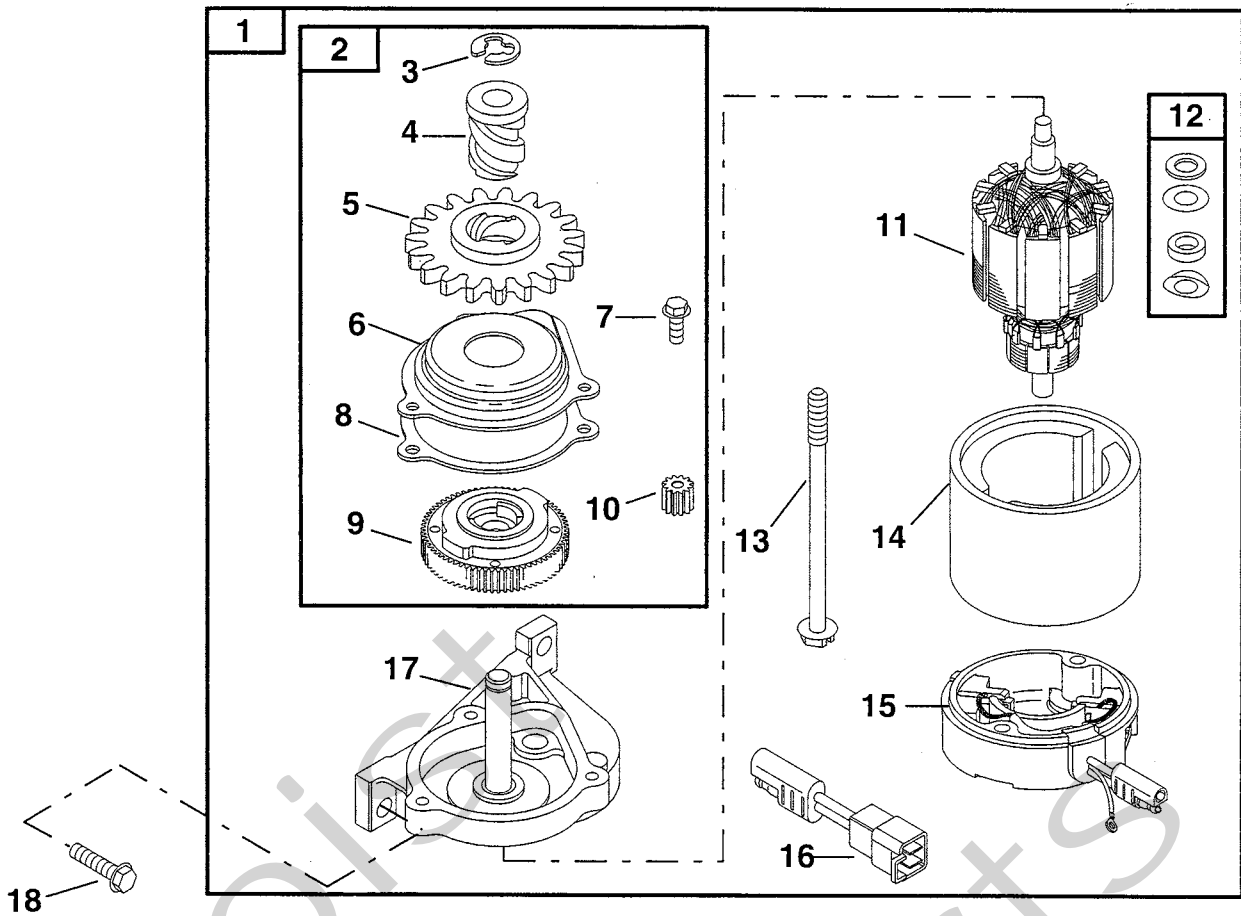
| Utgåva Issue | | Bildnr Picture No | | BRIGGS & STRATTON 12H802, 12H807 BRÄNSLETANK REGULATOR | | BRIGGS & STRATTON 12H802, 12H807 FUEL TANK GOVERNOR | | Sida Page |
|-----------------|---------------------|----------------------|---|---|--------------------------|--|-------------|---------------------|
| 2004- 12 | | 1275 | | | | | | 404 |
| Pos. Fig. | Antal/Quantity | | | Art nr Part No | Benämning | Description | Sats Kit | Anmärkning Notes |
| | 12H 802- 2004 | 12H 807- 2003 | | | | | | |
| | A01 | 1 | 1 | 691757 | Lock..... | Control cover | | |
| | A02 | | 1 | 690345 | Skruv | Screw | | |
| | A02 | 1 | | 690664 | Skruv | Screw | | |
| | A03 | 4 | 4 | 691108 | Skruv | Screw | | |
| | A04 | 1 | 1 | 493293 | Fläkthus | Blower housing | | |
| | A05 | 1 | 1 | 690595 | Lock..... | Brake cover | | |
| | A06 | 1 | | 691050 | Bränsleslang | Fuel line | | |
| | A06 | | 1 | 691371 | Bränsleslang | Fuel line | | |
| | A07 | 2 | 2 | 95162 | Slangklämma | Hose clamp | | |
| X | A08 | 1 | 1 | 699374 | Bränsletank | Fuel tank | | |
| | A09 | 2 | 2 | 690940 | Skruv | Screw | | |
| | A10 | 1 | 1 | 397974 | • Tanklock | • Fuel cap | | |
| | A11 | 1 | 1 | 692311 | Skruv/bricka | Screw/washer | | |
| | A12 | 1 | 1 | 692294 | Distans | Spacer | | |
| | A13 | 1 | 1 | 692038 | Ljuddämpare | Muffler | | |
| | A14 | 1 | 1 | 691740 | • Låsbleck | • Screw lock | | |
| | A15 | 2 | 2 | 691340 | • Skruv | • Screw | | |
| X | A16 | 1 | 1 | 497683 | Skydd | Guard | | |
| | A17 | 2 | 2 | 690664 | • Skruv | • Screw | | |
| | A18 | | 2 | 692979 | Skruv | Screw | | |
| | A19 | | 1 | 691991 | Generator | Alternator | | |
| | A20 | | 2 | 691094 | Pinnbult | Stud | | |
| | A21 | | 1 | 696547 | Kablage | Wiring harness | | |
| | A22 | 1 | 1 | 692390 | Stoppkabel | Stop wire | | |
| | A23 | 2 | 2 | 691061 | Skruv | Screw | | |
| | A24 | 1 | 1 | 802574 | Tändsystem | Magneto armature | | |
| | A25 | 1 | 1 | 493880 | • Anslutningshylsa | • Terminal | | |
| X | A26 | 1 | 1 | 790143 | Reglageplåt | Control bracket | | |
| | A27 | 2 | 2 | 692310 | • Stoppkontakt | • Stop switch | | |
| | A28 | 1 | 1 | 493823 | • Distans | • Spacer | | 2 st/includes 2 |
| X | A29 | 2 | 2 | 693399 | Skruv | Screw | | |
| | A30 | 1 | 1 | 690340 | Hållare | Retainer | | |
| | A31 | 1 | 1 | 690272 | Bricka | Washer | | |
| | A32 | 1 | 1 | 698801 | Regulatoraxel | Governor crank | | |
| | A33 | 1 | 1 | 691292 | Regulatorfjäder | Governor spring | | |
| | A34 | 1 | 1 | 691829 | Regulatorlänk | Governor link | | |
| | A35 | 1 | 1 | 690783 | Regulatorarm | Govern. control lever | | |
| | A36 | 1 | 1 | 691119 | • Bult | • Bolt | | |
| | A37 | 1 | 1 | 691251 | • Mutter | • Nut | | |
| | A38 | 2 | 2 | 691648 | Skruv | Screw | | |
| | A39 | 1 | 1 | 691994 | Broms | Brake | | |
| | A40 | 1 | 1 | 691831 | • Bromsfjäder | • Brake spring | | |
| | A41 | | 1 | 499421 | Brytare | Switch | | |
| | A42 | | 1 | 691627 | • Skruv | • Screw | | |
| | A53 | 1 | | 694086 | Svånghjulsskydd | Flywheel guard | | |
| | A54 | 1 | | 691108 | Skruv | Screw | | |

A

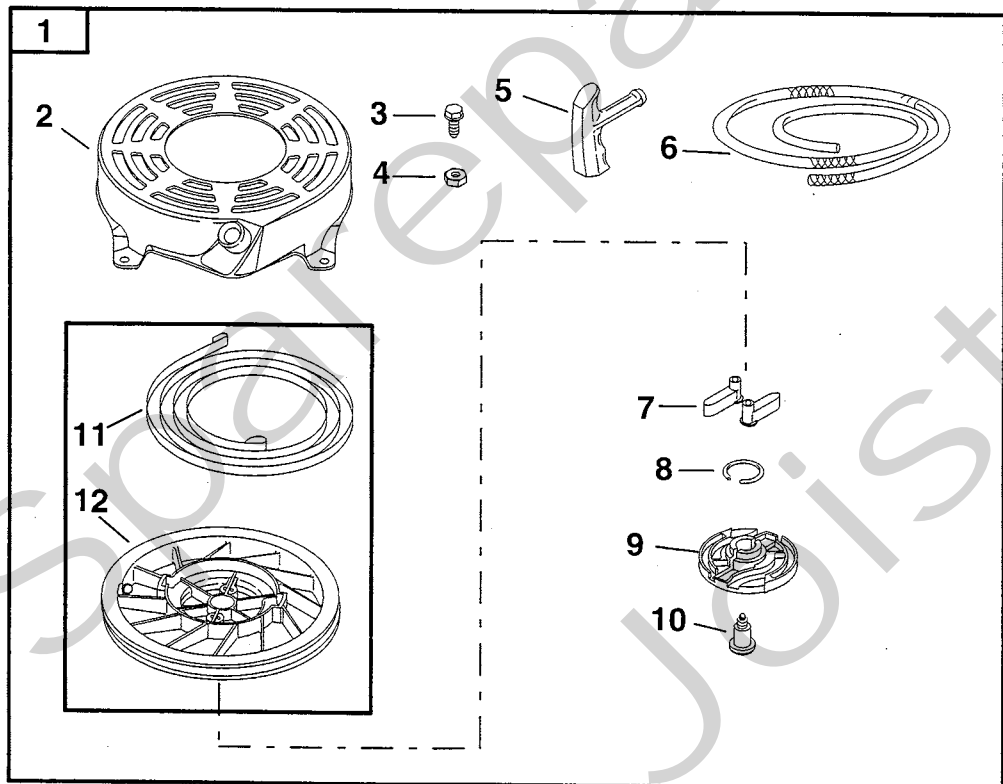


| Utgåva Issue 2004-12 | | Bildnr Picture No 1276B | | BRIGGS & STRATTON 12H802, 12H807 LUFTFILTER FÖRGASARE | | BRIGGS & STRATTON 12H802, 12H807 AIR CLEANER CARBURETTOR | | Sida Page 406 | |
|----------------------------|---------------------|-------------------------------|--|--|--------------------------|---|-------------|---------------------|--|
| Pos. Fig. | Antal/Quantity | | | Art nr Part No | Benämning | Description | Sats Kit | Anmärkning Notes | |
| | 12H 802- 2004 | 12H 807- 2003 | | | | | | | |
| A01 | 1 | 1 | | 690670 | Skruv | Screw | | | |
| A02 | 1 | 1 | | 691044 | Skruv | Screw | | | |
| A03 | 1 | 1 | | 690798 | Wireklämna | Casing clamp | | | |
| A04 | 1 | 1 | | 692298 | Luftrenarlock | Air cleaner cover | | | |
| A05 | 1 | 1 | | 496116 | Luftrenarfäste | Air cleaner base | | | |
| A06 | 1 | 1 | | 491588 | Pappersfilter | Air filter | | | |
| A07 | 2 | 2 | | 692523 | Skruv | Screw | | | |
| A08 | 1 | 1 | | 691923 | • Hylsa | • Grommet | | | |
| A09 | 1 | 1 | | 272653 | • Packning | • Gasket | | | |
| A10 | 1 | 1 | | 694395 | • Primer | • Primer | | | |
| A11 | 1 | 1 | | 272199 | Packning | Gasket | | | |
| A12 | 1 | 1 | | 497465 | Insugningsrör | Intake pipe | | | |
| A13 | 2 | 2 | | 691650 | Skruv | Screw | | | |
| A14 | 1 | 1 | | 498170 | Förgasare kpl | Carburettor assy | | | |
| A15 | 1 | 1 | | 696565 | • Spjällaxel | • Throttle shaft | | | |
| A16 | 1 | 1 | | 691321 | •• Dammtätning | •• Dust seal | | | |
| A17 | 1 | 1 | | 398188 | • Bränslenål | • Inlet valve | | | |
| A18 | 1 | 1 | | 691242 | •• Flottöraxel | •• Float hinge pin | | | |
| A19 | 1 | 1 | | 398187 | • Flottör | • Float | | | |
| A20 | 2 | 2 | | 692524 | Skruv | Screw | | | |
| A21 | 1 | 1 | | 694468 | • Expansionsbricka | • Welch plug | | | |
| A22 | 1 | 1 | | 696564 | • Gasspjäll | • Throttle valve | | | |
| A23 | 1 | 1 | | 691636 | • Skruv | • Screw | | | |
| A24 | 1 | 1 | | 270344 | • Tätning | • Seal | | | |
| A25 | 1 | 1 | | 493640 | • Flottörhus | • Bowl | | | |
| A26 | 1 | 1 | | 693981 | •• Packning | •• Gasket | | | |
| A27 | 1 | 1 | | 271716 | •• Tätningsbricka | •• Sealing washer | | | |
| A28 | 1 | 1 | | 498978 | • Huvudmunstycke | • Main jet | | Standard | |
| A29 | 1 | 1 | | 494870 | Huvudmunstycke | Main jet | | High altitude | |

A



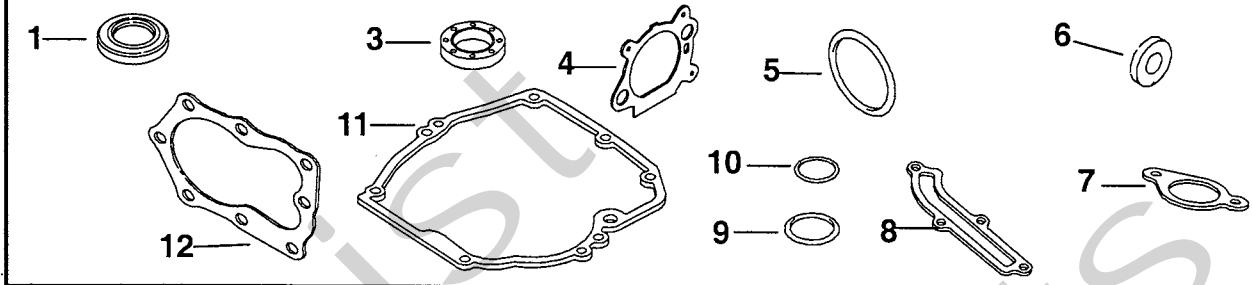
B



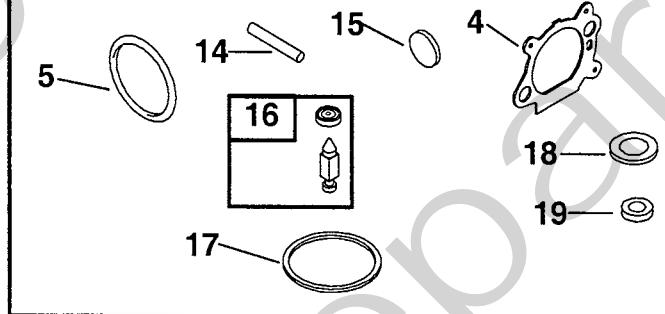
| Utgåva Issue | | Bildnr Picture No | | BRIGGS & STRATTON 12H802, 12H807 STARTMOTOR SNÖRSTART | | BRIGGS & STRATTON 12H802, 12H807 STARTER MOTOR REWIND STARTER | | Sida Page |
|-----------------|---------------------|----------------------|--|--|--------------------------|--|-------------|---------------------|
| Pos. Fig. | Antal/Quantity | | | Art nr Part No | Benämning | Description | Sats Kit | Anmärkning Notes |
| | 12H 802- 2004 | 12H 807- 2003 | | | | | | |
| A01 | | 1 | | 695550 | Startmotor kpl | Starter motor assy | | |
| A02 | | 1 | | 494147 | • Drev kpl | • Drive kit | | |
| A03 | | 1 | | 93941 | • • Låsring | • • Retainer | | |
| A04 | | 1 | | 691325 | • • Snäckdrev | • • Starter spline | | |
| A05 | | 1 | | 691918 | • • Drev | • • Pinion gear | | |
| A06 | | 1 | | 692341 | • • Lock | • • Cover | | |
| A07 | | 3 | | 690345 | • • Skruv | • • Screw | | |
| A08 | | 1 | | 692352 | • • Packning | • • Gasket | | |
| A09 | | 1 | | 692358 | • • Koppling | • • Drive clutch | | |
| A10 | | 1 | | 691269 | • • Drev | • • Pinion gear | | |
| A11 | | 1 | | 690786 | • Rotor | • Starter armature | | |
| A12 | | 1 | | 492919 | • Brickor | • Washer set | | |
| A13 | | 2 | | 692327 | • Bult | • Bolt | | |
| A14 | | 1 | | 695266 | • Starthus | • Starter housing | | |
| A15 | | 1 | | 695267 | • Bottenkåpa | • End cap | | |
| A16 | | 1 | | 695268 | • Kabeladapter | • Wire adapter | | |
| A17 | | 1 | | 690782 | • Lock | • Drive cap | | |
| A18 | | 2 | | 691127 | Skruv | Screw | | |
| B01 | 1 | 1 | | 497680 | Start kpl | Starter assy | | |
| B02 | 1 | 1 | | 691421 | • Starthus | • Starter housing | | |
| B03 | 4 | 4 | | 690837 | • Skruv | • Screw | | |
| B04 | 4 | 4 | | 690800 | • Mutter | • Nut | | |
| B05 | 1 | 1 | | 281434 | • Starthandtag | • Handle | | |
| B06 | 1 | 1 | | 697316 | • Startsnöre | • Starter rope | | |
| B07 | 2 | 2 | | 281505 | • Startklo | • Starter pawl | | |
| B08 | 1 | 1 | | 691855 | • Friktionsfjäder | • Friction spring | | |
| B09 | 1 | 1 | | 692299 | • Spärrplatta | • Pawl friction plate | | |
| B10 | 1 | 1 | | 691696 | • Skruv | • Screw | | |
| B11 | 1 | 1 | | 498144 | • Linhjul m.fjäder | • Pulley/spring | | |
| B12 | 1 | 1 | | 498144 | • Linhjul m.fjäder | • Pulley/spring | | |

X

23 ENGINE GASKET SET



21 CARBURETOR OVERHAUL KIT

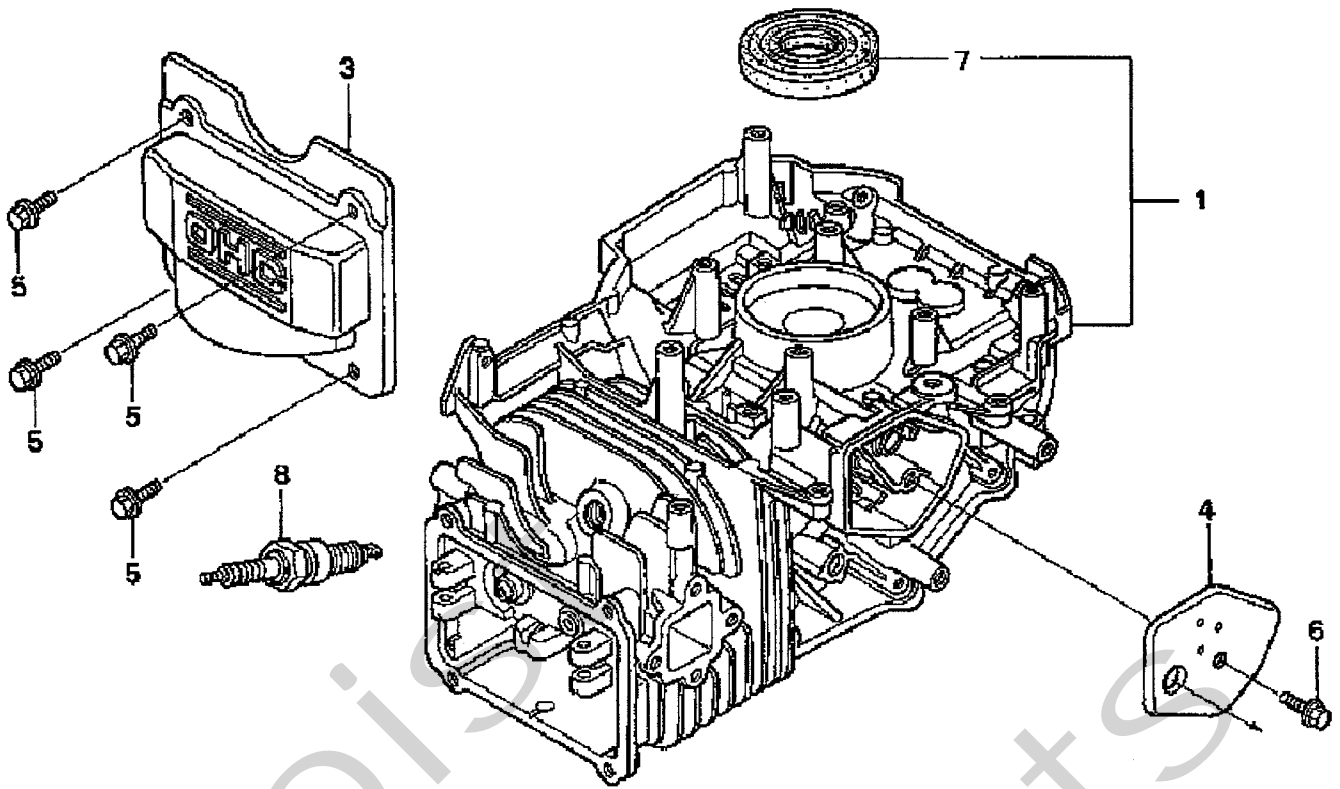


22 CARBURETOR GASKET SET

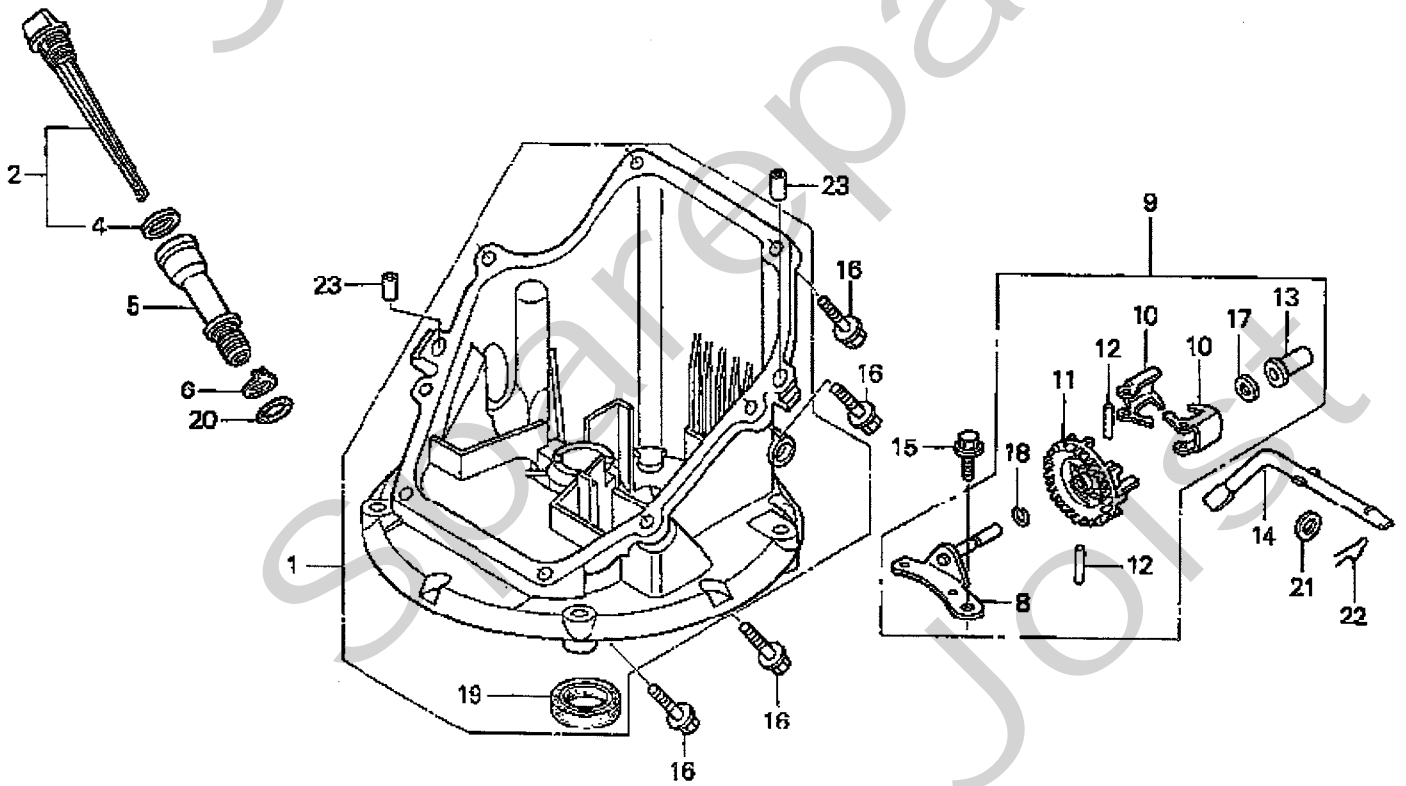


| Utgåva Issue | | Bildnr Picture No | | BRIGGS & STRATTON 12H802, 12H807 PACKNINGSSATS | | BRIGGS & STRATTON 12H802, 12H807 GASKET SET | | Sida Page | |
|-----------------|---------------------|----------------------|--|--|--------------------------|---|-------------|---------------------|--|
| 2004- 12 | | 1278A | | | | | | 410 | |
| Pos. Fig. | Antal/Quantity | | | Art nr Part No | Benämning | Description | Sats Kit | Anmärkning Notes | |
| | 12H 802- 2004 | 12H 807- 2003 | | | | | | | |
| A01 | 1 | 1 | | 299819 | • Tätningsring | • Oil seal | | | |
| A03 | 1 | 1 | | 399781 | • Tätningsring | • Oil seal | | | |
| A04 | 1 | 1 | | 272653 | • Packning | • Gasket | | | |
| A05 | 1 | 1 | | 270344 | • Tätning | • Seal | | | |
| A06 | 1 | 1 | | 493823 | • Distans | • Spacer | | | |
| A07 | 1 | 1 | | 272199 | • Packning | • Gasket | | | |
| A08 | 1 | 1 | | 691879 | • Packning | • Gasket | | | |
| A09 | 1 | 1 | | 691031 | • O- ring | • O- ring | | | |
| A10 | 1 | 1 | | 692296 | • Tätningsring | • Tube seal | | | |
| A11 | 1 | 1 | | 692232 | • Packning | • Gasket | | | |
| A12 | 1 | 1 | | 692249 | • Packning | • Gasket | | | |
| A14 | 1 | 1 | | 691242 | • Flottöaxel | • Float hinge pin | | | |
| A15 | 1 | 1 | | 694468 | • Expansionsbricka | • Welch plug | | | |
| A16 | 1 | 1 | | 398188 | • Bränslenål | • Inlet valve | | | |
| A17 | 1 | 1 | | 693981 | • Packning | • Gasket | | | |
| A18 | 1 | 1 | | 271716 | • Tätningsbricka | • Sealing washer | | | |
| A19 | 1 | 1 | | 691321 | • Dammtätning | • Dust seal | | | |
| A21 | 1 | 1 | | 498260 | Rep.sats förgasare | Carb. overhaul kit | | | |
| A22 | 1 | 1 | | 498261 | Packn.sats- förg. | Gasket set- carb. | | | |
| A23 | 1 | 1 | | 497316 | Packn.sats- motor | Gasket set- engine | | | |

A

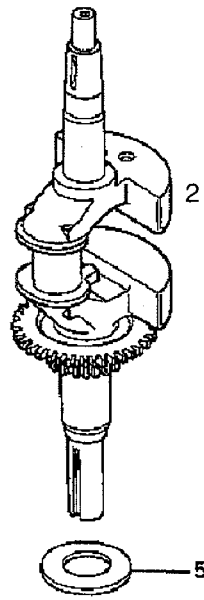


B

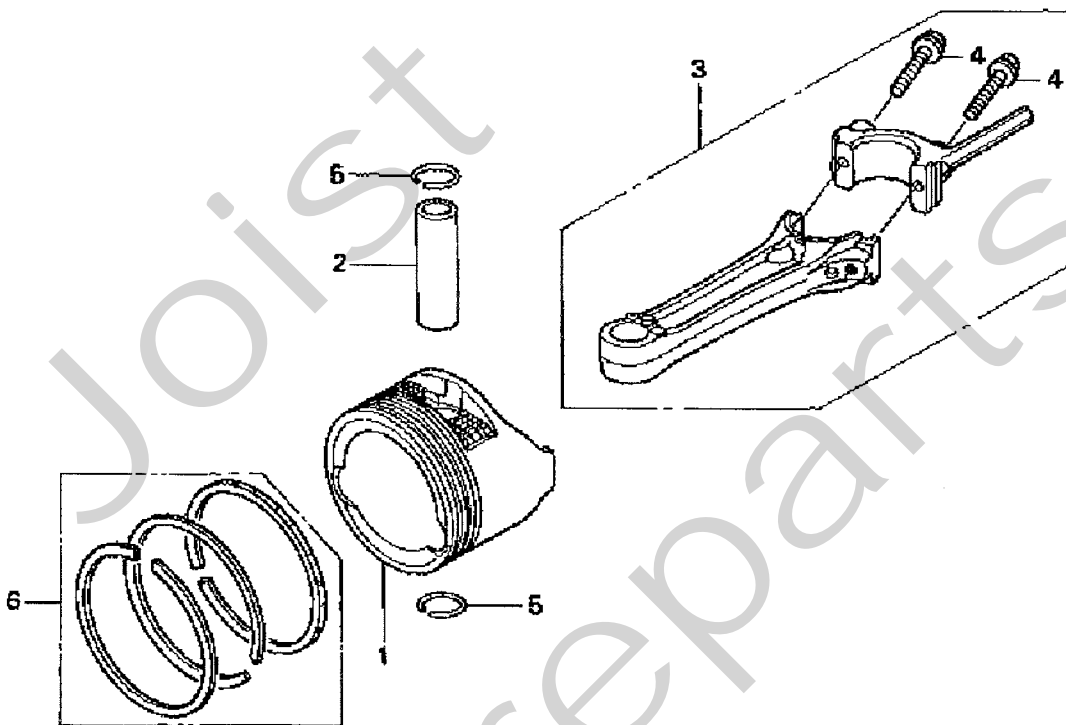


| Utgåva Issue 2004-12 | | Bildnr Picture No 956B | | HONDA GCV 135, 160 CYLINDER VEVHUS | | HONDA GCV 135, 160 CYLINDER CRANKCASE | | Sida Page 442 |
|----------------------------|---------------------|------------------------------|---------------------|---|--------------------------|--|-------------|---------------------|
| Pos. Fig. | Antal/Quantity | | | Art nr Part No | Benämning | Description | Sats Kit | Anmärkning Notes |
| | GCV 135E A2G4 | GCV 160E A2G4 | GCV 160E S1E1 | | | | | |
| | | 1 | 1 | 12000ZL8415 | Cylinder | Cylinder | | Champion RN9YC |
| | 1 | | | 12000ZL9415 | Cylinder | Cylinder | | |
| | 1 | 1 | 1 | 12311ZL8000 | Lock | Cover | | |
| | 1 | 1 | 1 | 12355ZL8000 | Lock | Cover | | |
| | 4 | 4 | 4 | 90013883000 | Bult | Bolt | | |
| | 1 | 1 | 1 | 90014952000 | Bult | Bolt | | |
| | 1 | 1 | 1 | 91201ZL8003 | • Tätningring | • Oil seal | | |
| | 1 | 1 | 1 | 9400-0289-01 | Tändstift | Spark plug | | |
| X | 1 | 1 | | 11300ZM0405 | Vevhus | Oil pan | | |
| | | | 1 | 11300ZM0811 | Vevhus | Oil pan | | |
| X | 1 | 1 | 1 | 15650ZOM800 | Oljesticka | Oil dipstick | | |
| | 1 | 1 | 1 | 15625ZE6000 | • Packning | • Gasket | | |
| | 1 | 1 | 1 | 15631ZM0000 | Oljepåfyllningsrör | Oil filler extension | | |
| | 1 | 1 | 1 | 15639ZM0000 | Bricka | Washer | | |
| | 1 | 1 | 1 | 16508ZM0010 | • Axel | • Shaft | | |
| | 1 | 1 | 1 | 16510ZM0010 | Regulator kpl | Governor assy | | |
| | 2 | 2 | 2 | 16511ZL8000 | • Vikt | • Weight | | |
| | 1 | 1 | 1 | 16512ZM0000 | • Vikthållare | • Weight holder | | |
| | 2 | 2 | 2 | 16513ZE1000 | • Stift | • Pin | | |
| | 1 | 1 | 1 | 16531ZE1000 | • Glidhylsa | • Slider | | |
| | 1 | 1 | 1 | 16541ZM0000 | Regulatorarm | Shaft | | |
| | 1 | 1 | 1 | 90014952000 | Bult | Bolt | | |
| | 8 | 8 | 8 | 90121952000 | Bult | Bolt | | |
| | 1 | 1 | 1 | 90451ZE1000 | • Bricka | • Washer | | |
| | 1 | 1 | 1 | 90602ZE1000 | • Låsring | • Clip | | |
| | 1 | 1 | 1 | 91202ZL8003 | • Tätningring | • Oil seal | | |
| | 1 | 1 | 1 | 91303ZOM003 | O-ring | O-ring | | |
| | 1 | 1 | 1 | 9410106800 | Bricka | Washer | | |
| | 1 | 1 | 1 | 9425108000 | Låspinne | Lock pin | | |
| | 2 | 2 | 2 | 9430108200 | Styrpinne | Dowel pin | | |

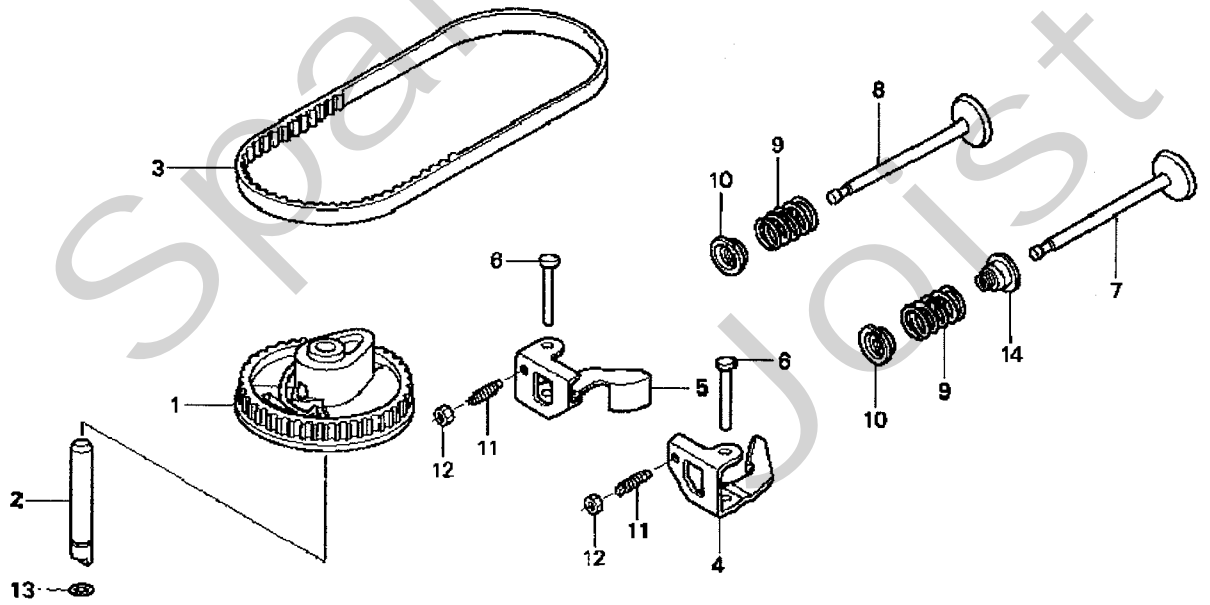
A



B

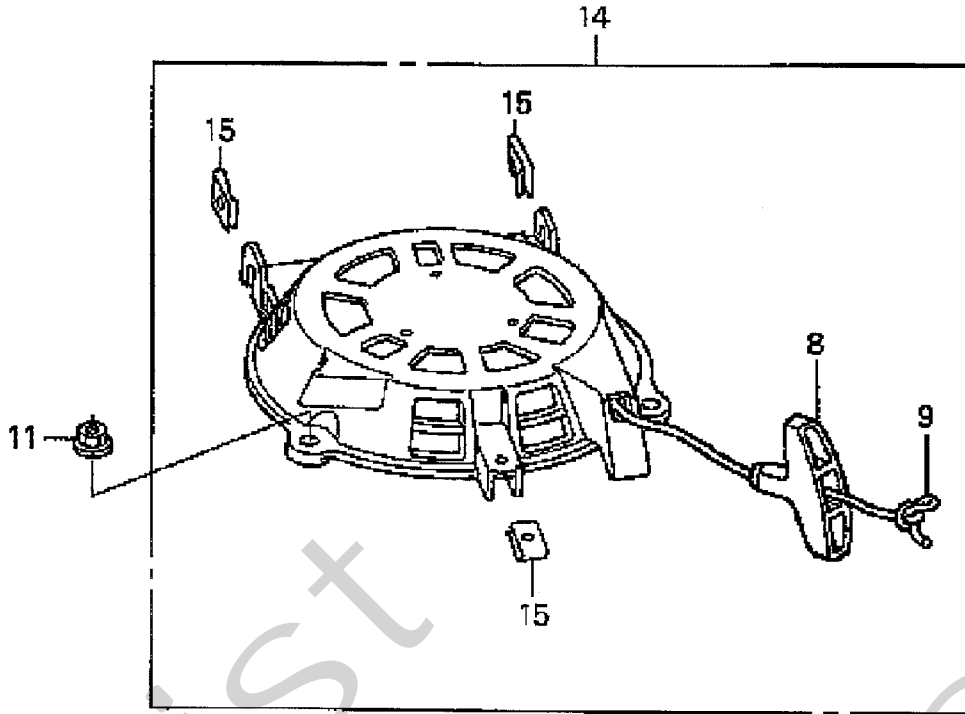


C

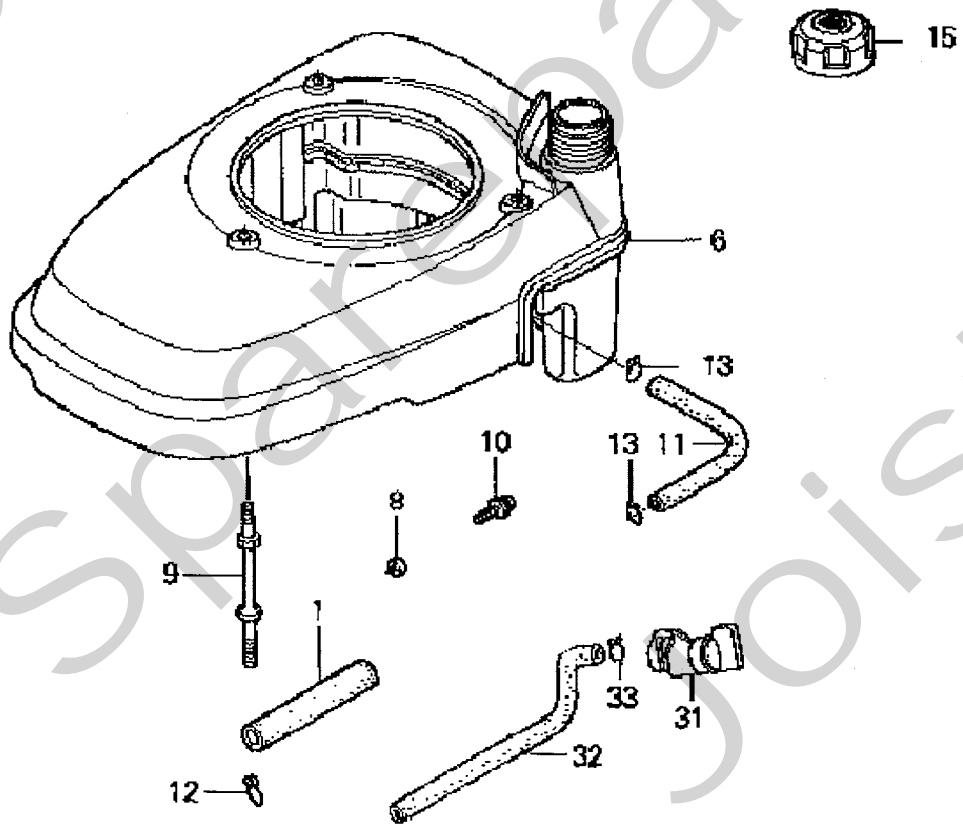


| Utgåva Issue | | Bildnr Picture No | | HONDA GCV 135, 160 VEVAXEL KAMAXEL | | HONDA GCV 135, 160 CRANKSHAFT CAMSHAFT | | Sida Page |
|-----------------|---------------------|----------------------|---------------------|---|---------------------------|---|-------------|---------------------|
| 2004-12 | | 957A | | | | | | 444 |
| Pos. Fig. | Antal/Quantity | | | Art nr Part No | Benämning | Description | Sats Kit | Anmärkning Notes |
| | GCV 135E A2G4 | GCV 160E A2G4 | GCV 160E S1E1 | | | | | |
| X | A02 | | 1 | 13310ZM0000 | Vevaxel | Crankshaft | | |
| | A02 | | 1 | 13310ZM0600 | Vevaxel | Crankshaft | | |
| | A02 | 1 | | 13310ZM1600 | Vevaxel | Crankshaft | | |
| | A05 | 1 | 1 | 90402ZL8000 | Bricka | Washer | | |
| | B01 | 1 | 1 | 13101ZL8000 | Kolv | Piston | | |
| | B02 | 1 | 1 | 13111ZE0000 | Kolvbult | Piston pin | | |
| | B03 | | 1 | 13200ZL8000 | Vevstake | Connecting rod | | |
| | B03 | 1 | | 13200ZL9000 | Vevstake | Connecting rod | | |
| | B04 | 2 | 2 | 90001ZE1000 | • Bult | • Bolt | | |
| | B05 | 2 | 2 | 90551ZE0000 | Låsring | Clip | | |
| | B06 | 1 | 1 | 13010ZL8003 | Kolvringsatts | Ring set | | |
| X | B06 | 1 | 1 | 13010ZL8024 | Kolvringsatts | Ring set | | Riken Teikoku |
| X | C01 | 1 | 1 | 14320ZL8010 | Remskiva | Pulley | | |
| | C02 | 1 | 1 | 14324ZL8000 | Axel | Shaft | | |
| X | C03 | | 1 | 14400ZL8013 | Kamrem | Belt | | |
| X | C03 | 1 | | 14400ZL9013 | Kamrem | Belt | | |
| X | C04 | 1 | 1 | 14431Z0J000 | Vipparm- insug | Valve rocker arm- in | | |
| X | C05 | 1 | 1 | 14441Z0J000 | Vipparm- utblås | Valve rocker arm- ex | | |
| | C06 | 2 | 2 | 14461ZL8000 | Axel | Shaft | | |
| | C07 | 1 | 1 | 14711ZL8000 | Insugningsventil | Intake valve | | |
| | C08 | 1 | 1 | 14721ZL8000 | Utblåsningsventil | Exhaust valve | | |
| | C09 | 2 | 2 | 14751ZL8000 | Ventilfjäder | Valve spring | | |
| | C10 | 2 | 2 | 14771ZE1000 | Ventilfjäderhållare | Valve spring retainer | | |
| | C11 | 2 | 2 | 90012333000 | Justerskruv | Adjusting screw | | |
| | C12 | 2 | 2 | 90206001000 | Mutter | Nut | | |
| | C13 | 1 | 1 | 91301Z0M003 | O-ring | O-ring | | |
| X | C14 | 1 | 1 | 12209ZM0003 | Tätning | Seal | | |

A

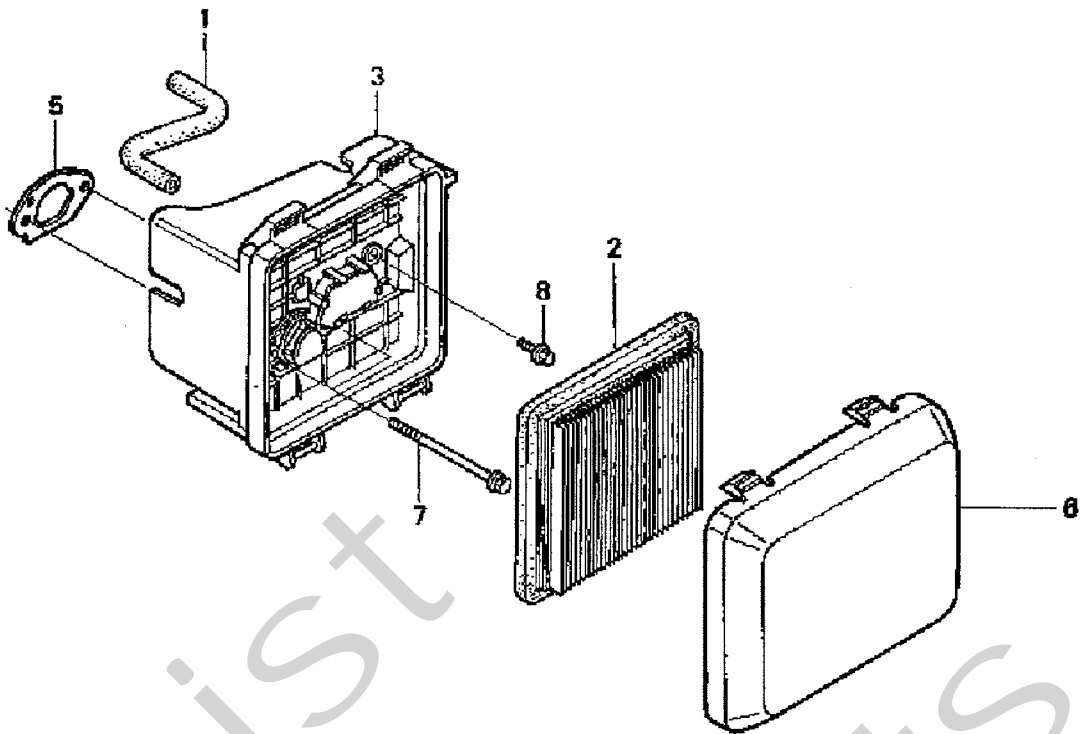


B

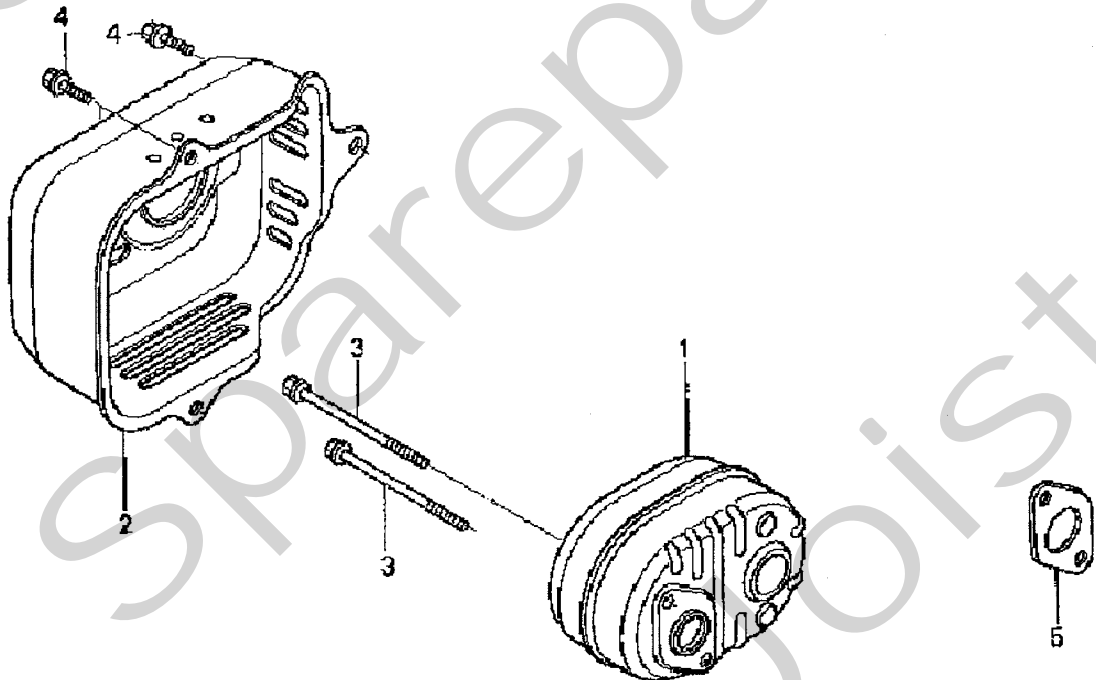


| Utgåva Issue | | Bildnr Picture No | | | HONDA GCV 135, 160 START BRÄNSLETANK | | HONDA GCV 135, 160 RECOIL STARTER FUEL TANK | | Sida Page | |
|-----------------|---------------------|----------------------|---------------------|-------------------|---|-----------------------|--|---------------------|--------------|-----------|
| 2004-12 | | 958A | | | | | | | 446 | |
| Pos. Fig. | Antal/Quantity | | | Art nr Part No | Benämning | Description | Sats Kit | Anmärkning Notes | | |
| | GCV 135E A2G4 | GCV 160E A2G4 | GCV 160E S1E1 | | | | | | | |
| X | A08 | 1 | 1 | 1 | 28461ZL8003 | • Handtag | • Grip | | | |
| | A09 | 1 | 1 | 1 | 28462ZL8003 | • Startsnöre | • Starter rope | | | |
| | A11 | 3 | 3 | 3 | 90201ZM0000 | Mutter | Nut | | | |
| X | A14 | 1 | 1 | 1 | 28400Z0M800 | Start kpl | Starter assy | | | |
| X | A15 | 3 | 3 | 3 | 66871KY2700 | • Mutter | • Nut | | | |
| | B01 | 1 | 1 | 1 | 16854ZH8000 | Gummistöd | Rubber supporter | | | |
| X | B06A | 1 | | | 19610Z0M000 | Bränsletank kpl | Fuel tank assy | | | ZB *NH1* |
| X | B06B | 1 | | | 19610Z0M000 | Bränsletank kpl | Fuel tank assy | | | ZC *R280* |
| X | B06C | | 1 | | 19610Z1L000 | Bränsletank kpl | Fuel tank assy | | | ZA *NH1* |
| X | B06D | | 1 | | 19610Z1L000 | Bränsletank kpl | Fuel tank assy | | | ZB *R280* |
| X | B06E | | | 1 | 19610Z1L800 | Bränsletank kpl | Fuel tank assy | | | ZA *NH1* |
| | B08 | 1 | 1 | 1 | 33609GK4620 | Hylsa | Collar | | | |
| | B09 | 3 | | | 90041ZL9000 | Pinnbult | Stud bolt | | | |
| | B09 | | 3 | 3 | 90043ZL8000 | Pinnbult | Stud bolt | | | |
| | B10 | 1 | 1 | 1 | 938910501008 | Skruv | Screw | | | |
| | B11 | 1 | | | 950015513540 | Bränslerör | Fuel tube | | | 5.3 x 135 |
| | B11 | | 1 | 1 | 950015515040 | Bränslerör | Fuel tube | | | 5.3 x 150 |
| | B12 | 1 | 1 | 1 | 9500202080 | Slangklämma | Tube clip | | | |
| | B13 | 2 | 2 | 2 | 9500202100 | Slangklämma | Tube clip | | | |
| X | B15 | 1 | 1 | 1 | 17620Z0M000 | Tanklock | Tank cap | | | |
| X | B31 | 1 | 1 | 1 | 16950ZM0003 | Bensinkran | Fuel cock | | | |
| X | B32 | 1 | 1 | 1 | 17702ZM0800 | Bränsleslang | Fuel tube | | | |
| | B33 | 1 | 1 | 1 | 9500202080 | Slangklämma | Tube clip | | | |

A

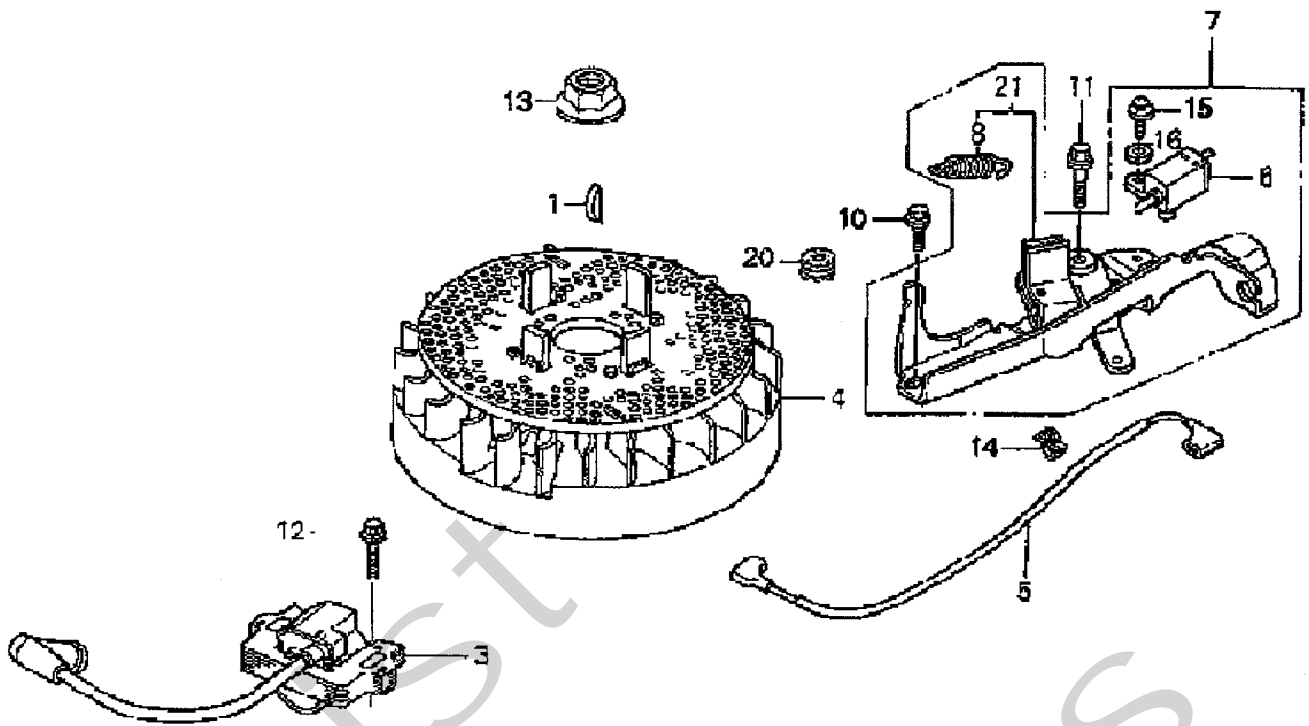


B

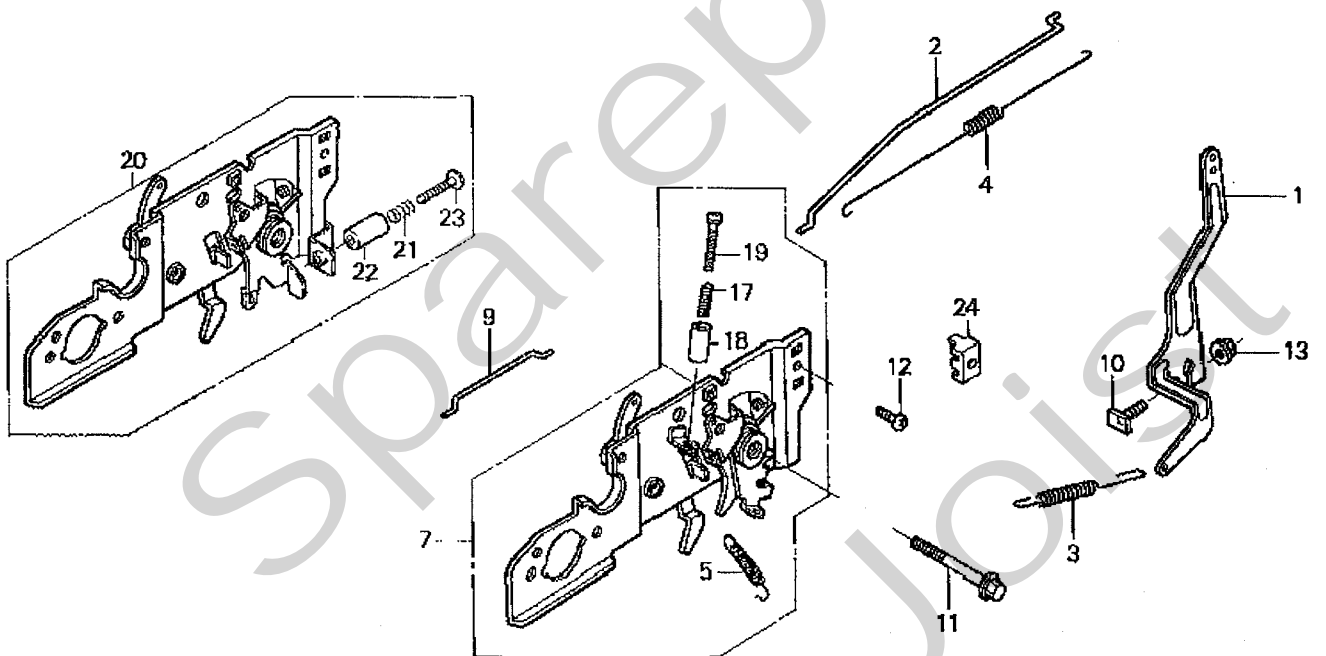


| Utgåva Issue | | Bildnr Picture No | | HONDA GCV 135, 160 LUFTFILTER LJUDDÄMPARE | | HONDA GCV 135, 160 AIR CLEANER MUFFLER | | Sida Page |
|-----------------|---------------------|----------------------|---------------------|--|--------------|---|---------------------------|---------------------|
| 2004-12 | | 959A | | | | | | 448 |
| Pos. Fig. | Antal/Quantity | | | Art nr Part No | Benämning | Description | Sats Kit | Anmärkning Notes |
| | GCV 135E A2G4 | GCV 160E A2G4 | GCV 160E S1E1 | | | | | |
| | A01 | | 1 | 1 | 15721ZM0000 | Ventilationsrör | Breather tube | |
| | A01 | 1 | | | 15721ZM1000 | Ventilationsrör | Breather tube | |
| | A02 | 1 | 1 | 1 | 17211ZL8003 | Filterelement | Air cleaner element | |
| | A03 | 1 | 1 | 1 | 17220ZM0000 | Luftrenarhus | Air cleaner case | |
| | A05 | 1 | 1 | 1 | 17228ZM0000 | Packning | Gasket | |
| X | A06 | 1 | 1 | 1 | 17231Z0L020 | Kåpa | Cover | |
| | A07 | 2 | 2 | 2 | 90003ZM0000 | Bult | Bolt | |
| | A08 | 1 | 1 | 1 | 957010601408 | Bult | Bolt | |
| | B01 | 1 | 1 | 1 | 18310ZM0000 | Ljuddämpare | Muffler | |
| | B02 | 1 | 1 | 1 | 18321ZL8000 | Skydd | Protector | |
| | B03 | 2 | 2 | 2 | 90004ZL8000 | Bult | Bolt | |
| | B04 | 3 | 3 | 3 | 90013883000 | Bult | Bolt | |
| X | B05 | 1 | 1 | 1 | 18381ZL8305 | Packning | Gasket | |

A

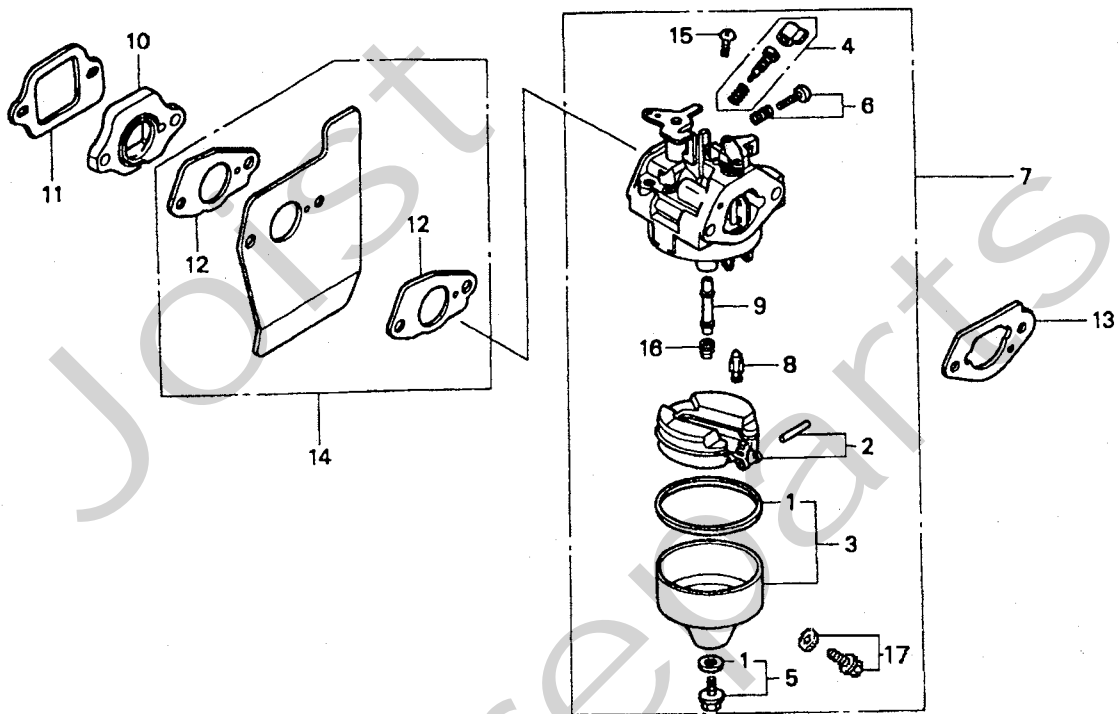


B



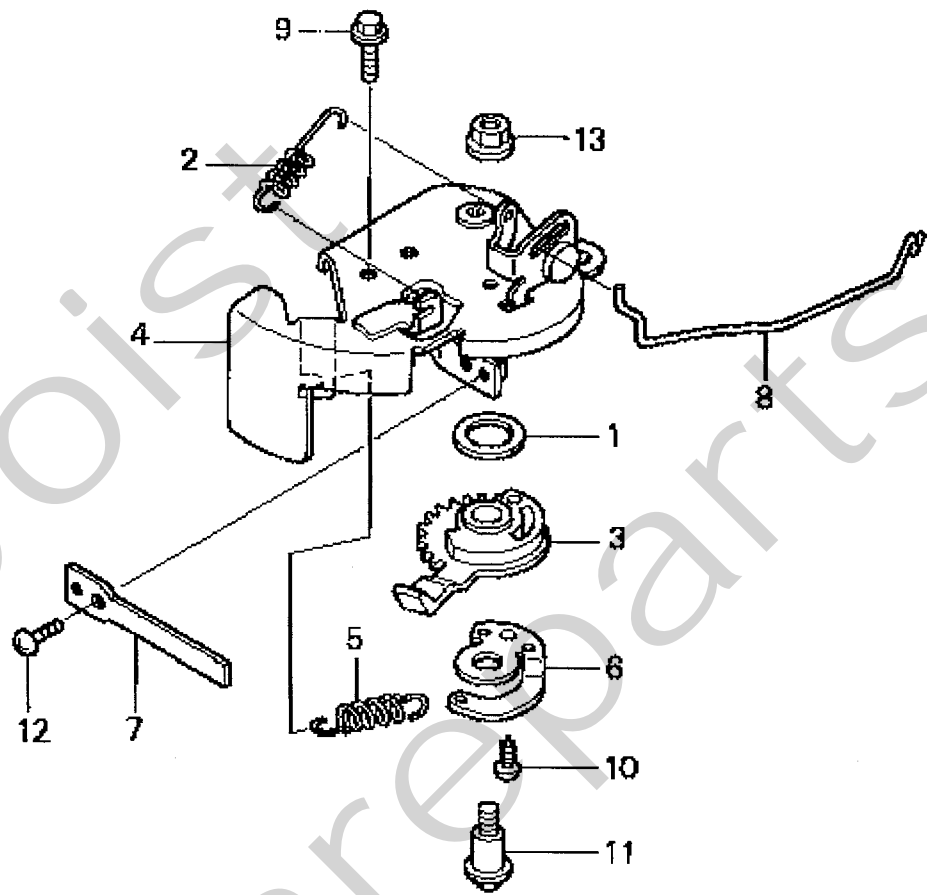
| Utgåva Issue 2004-12 | | Bildnr Picture No 960A | | HONDA GCV 135, 160 SVÄNGHJUL REGULATOR | | HONDA GCV 135, 160 FLYWHEEL CONTROL | | Sida Page 450 |
|----------------------------|---------------------|------------------------------|---------------------|---|-----------------------|--|-------------|---------------------|
| Pos. Fig. | Antal/Quantity | | | Art nr Part No | Benämning | Description | Sats Kit | Anmärkning Notes |
| | GCV 135E A2G4 | GCV 160E A2G4 | GCV 160E S1E1 | | | | | |
| X A01 | 1 | 1 | 1 | 13331357000 | Kil | Key | | |
| A03 | 1 | 1 | 1 | 30500ZL8004 | Tändspole | Ignition coil | | |
| A04 | | 1 | 1 | 31105ZM0000 | Svängjul | Flywheel | | |
| A04 | 1 | | | 31105ZM1000 | Svängjul | Flywheel | | |
| A05 | 1 | 1 | | 32195ZM0000 | Kabel | Cord | | |
| X A05 | | | 1 | 32195ZM0800 | Kabel | Cord | | |
| A06 | 1 | 1 | 1 | 35120ZM0003 | • Stoppkontakt | • Stop switch | | |
| A07 | 1 | 1 | | 75100ZM0000 | Broms kpl | Brake assy | | |
| A08 | 1 | 1 | 1 | 75113ZM0000 | • Fjäder | • Spring | | |
| A10 | 1 | 1 | 1 | 90014952000 | Bult | Bolt | | |
| A11 | 1 | 1 | 1 | 90018ZE1000 | Bult | Bolt | | |
| A12 | 1 | 1 | 1 | 90022888010 | Bult | Bolt | | |
| A13 | 1 | 1 | 1 | 90201878003 | Mutter | Nut | | |
| A14 | 1 | 1 | 1 | 90681959003 | Kabelklämma | Cable clip | | |
| A15 | 1 | 1 | 1 | 938920401200 | • Skruv | • Screw | | |
| A16 | 1 | 1 | 1 | 9410304000 | • Bricka | • Washer | | |
| X A20 | | | 1 | 11344MB0000 | Hylsa | Grommet | | |
| X A21 | | | 1 | 75110Z0L800 | Broms kpl | Brake assy | | |
| B01 | 1 | 1 | 1 | 16551ZM0010 | Regulatorarm | Governor arm | | |
| X B02 | | 1 | | 16555Z0L800 | Regulatorlänk | Governor rod | | |
| B02 | | | | 16555ZM0000 | Regulatorlänk | Governor rod | | |
| B02 | 1 | | | 16555ZM1000 | Regulatorlänk | Governor rod | | |
| X B03 | 1 | | | 16561Z0M870 | Regulatorfjäder | Governor spring | | |
| X B03 | | 1 | 1 | 16561Z1L870 | Regulatorfjäder | Governor spring | | |
| B04 | | 1 | 1 | 16562ZM0000 | Returfjäder | Return spring | | |
| B04 | 1 | | | 16562ZM1000 | Returfjäder | Return spring | | |
| B05 | 1 | 1 | | 16576ZE7300 | • Fjäder | • Lever spring | | |
| X B07 | 1 | 1 | | 16580ZM0871 | Reglageplatta | Control base | | |
| B09 | 1 | 1 | | 16674ZM0000 | Chokelänk | Choke rod | | |
| B10 | 1 | 1 | 1 | 90015ZE5010 | Bult | Bolt | | |
| B11 | 1 | 1 | 1 | 90016ZM0000 | Bult | Bolt | | |
| B12 | 1 | 1 | | 93500050160A | Skruv | Screw | | |
| B13 | 1 | 1 | 1 | 9405006000 | Mutter | Nut | | |
| B17 | 1 | 1 | | 16584883300 | • Fjäder | • Spring | | |
| X B18 | 1 | 1 | | 16599ZG1M10 | • Hylsa | • Collar | | |
| X B19 | 1 | 1 | | 90016ZE7W00 | • Skruv | • Screw | | |
| X B20 | | | 1 | 16580Z0M810 | Reglageplatta | Control base | | |
| B21 | | | 1 | 16584883300 | • Fjäder | • Spring | | |
| X B22 | | | 1 | 16599ZG1M10 | • Hylsa | • Collar | | |
| X B23 | | | 1 | 90016ZE7W00 | • Skruv | • Screw | | |
| X B24 | 1 | 1 | | 16617VG3000 | Kabelhållare | Cable holder | | |

A



| Utgåva Issue 2004-12 | | Bildnr Picture No 961A | | | HONDA GCV 135, 160 FÖRGASARE | | HONDA GCV 135, 160 CARBURETTOR | | Sida Page 452 |
|----------------------------|---------------------|------------------------------|---------------------|-------------------|------------------------------------|------------------------|--------------------------------------|---------------------|---------------------|
| Pos. Fig. | Antal/Quantity | | | Art nr Part No | Benämning | Description | Sats Kit | Anmärkning Notes | |
| | GCV 135E A2G4 | GCV 160E A2G4 | GCV 160E S1E1 | | | | | | |
| A01 | 1 | 1 | 1 | 16010883015 | •• Packningssats..... | •• Gasket set | | | |
| A02 | 1 | 1 | 1 | 16013ZL1003 | • Flottörsats..... | • Float set | | | |
| A03 | 1 | 1 | 1 | 16015887782 | • Flottörhus | • Float chamber | | | |
| A04 | 1 | 1 | 1 | 16016ZGOW00 | • Justerskruv..... | • Set screw | | | |
| A05 | 1 | 1 | 1 | 16028ZE0005 | • Skruv | • Screw | | | |
| A06 | 1 | 1 | 1 | 16029ZG0901 | • Justerskruv..... | • Set screw | | | |
| X A07 | | | 1 | 16100ZOL801 | Förgasare kpl..... | Carburettor assy | | BB62G A | |
| A07 | | 1 | | 16100ZM0803 | Förgasare kpl..... | Carburettor assy | | BB62B D | |
| A07 | 1 | | | 16100ZM1822 | Förgasare kpl..... | Carburettor assy | | BB64F A | |
| A08 | 1 | 1 | 1 | 16155ZM0003 | • Ventil | • Valve | | | |
| A09 | | 1 | 1 | 16166ZM0003 | • Munstycke..... | • Main nozzle | | | |
| A09 | 1 | | | 16166ZM1003 | • Munstycke..... | • Main nozzle | | | |
| A10 | 1 | 1 | 1 | 16211ZL8000 | Isolator | Insulator | | | |
| A11 | 1 | 1 | 1 | 16212ZL8000 | Packning..... | Gasket | | | |
| A12 | 1 | 1 | 1 | 16221883800 | • Packning..... | • Gasket..... | | | |
| A13 | 1 | 1 | 1 | 16228ZL8000 | Packning..... | Gasket | | | |
| A14 | 1 | 1 | 1 | 19650ZM0000 | Luftplåt | Air guide | | | |
| A15 | 1 | 1 | 1 | 93500050061H | • Skruv | • Screw | | | |
| A16 | 1 | | | 991011240580 | • Munstycke..... | • Main jet | | #58 | |
| A16 | 1 | 1 | 1 | 991011240600 | • Munstycke..... | • Main jet | | #60 | |
| A16 | 1 | 1 | 1 | 991011240620 | • Munstycke..... | • Main jet | | #62 | |
| A16 | 1 | 1 | 1 | 991011240650 | • Munstycke..... | • Main jet | | #65 | |
| A17 | 1 | 1 | 1 | 16024ZE1811 | • Dräneringsskruv..... | • Drain screw..... | | | |

A



| Utgåva Issue | | Bildnr Picture No | | HONDA GCV 160 CHOKE | | HONDA GCV 160 CHOKE | | Sida Page |
|-----------------|---------------------|----------------------|--|---------------------------|-------------------|---------------------------|-------------|---------------------|
| 2004-12 | | 1744 | | | | | | 454 |
| Pos. Fig. | Antal/Quantity | | | Art nr Part No | Benämning | Description | Sats Kit | Anmärkning Notes |
| | GCV 160E S1E1 | | | | | | | |
| X | A01 | 1 | | 16251Z0L800 | Tätning | Seal | | |
| X | A02 | 1 | | 16592ZJ1000 | Fjäder..... | Spring | | |
| X | A03 | 1 | | 16612Z0L800 | Chokearm | Choke lever | | |
| X | A04 | 1 | | 16613Z0L800 | Chokefäste..... | Choke base | | |
| X | A05 | 1 | | 16614Z0L800 | Fjäder..... | Spring | | |
| X | A06 | 1 | | 16616Z0L800 | Fjäderkrok..... | Spring hook | | |
| X | A07 | 1 | | 16619Z0L800 | Chokeplatta..... | Choke plate | | |
| X | A08 | 1 | | 16632Z0L800 | Reglagestång..... | Stop rod | | |
| X | A09 | 1 | | 90022888000 | Flänsskruv | Flange bolt | | |
| X | A10 | 1 | | 90102SP1003 | Skruv | Screw | | |
| X | A11 | 1 | | 90141KT8000 | Skruv | Screw | | |
| X | A12 | 1 | | 9350004008H | Skruv | Screw | | |
| X | A13 | 1 | | 9405005000 | Mutter..... | Nut | | |