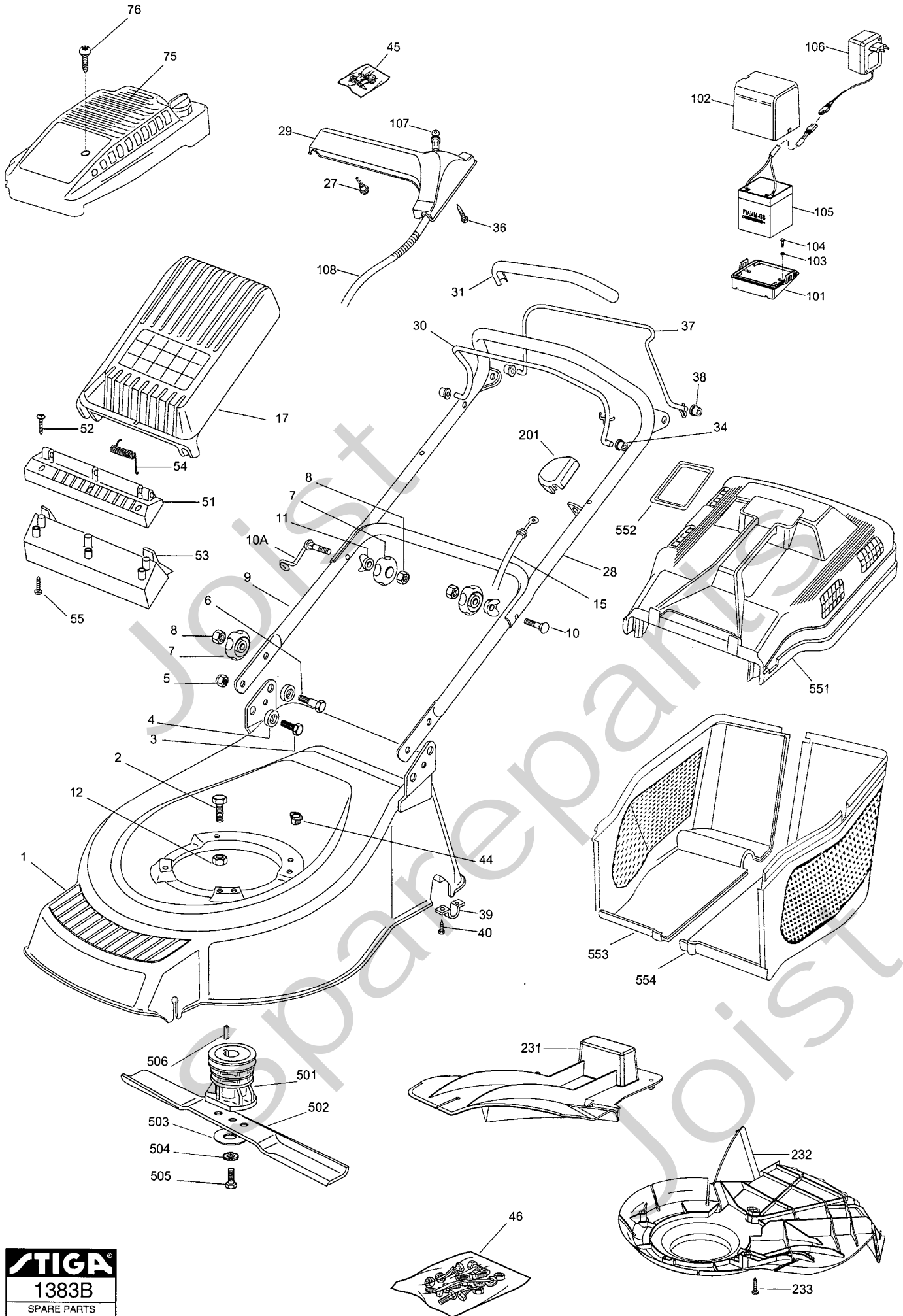


# Genuine Spare Parts

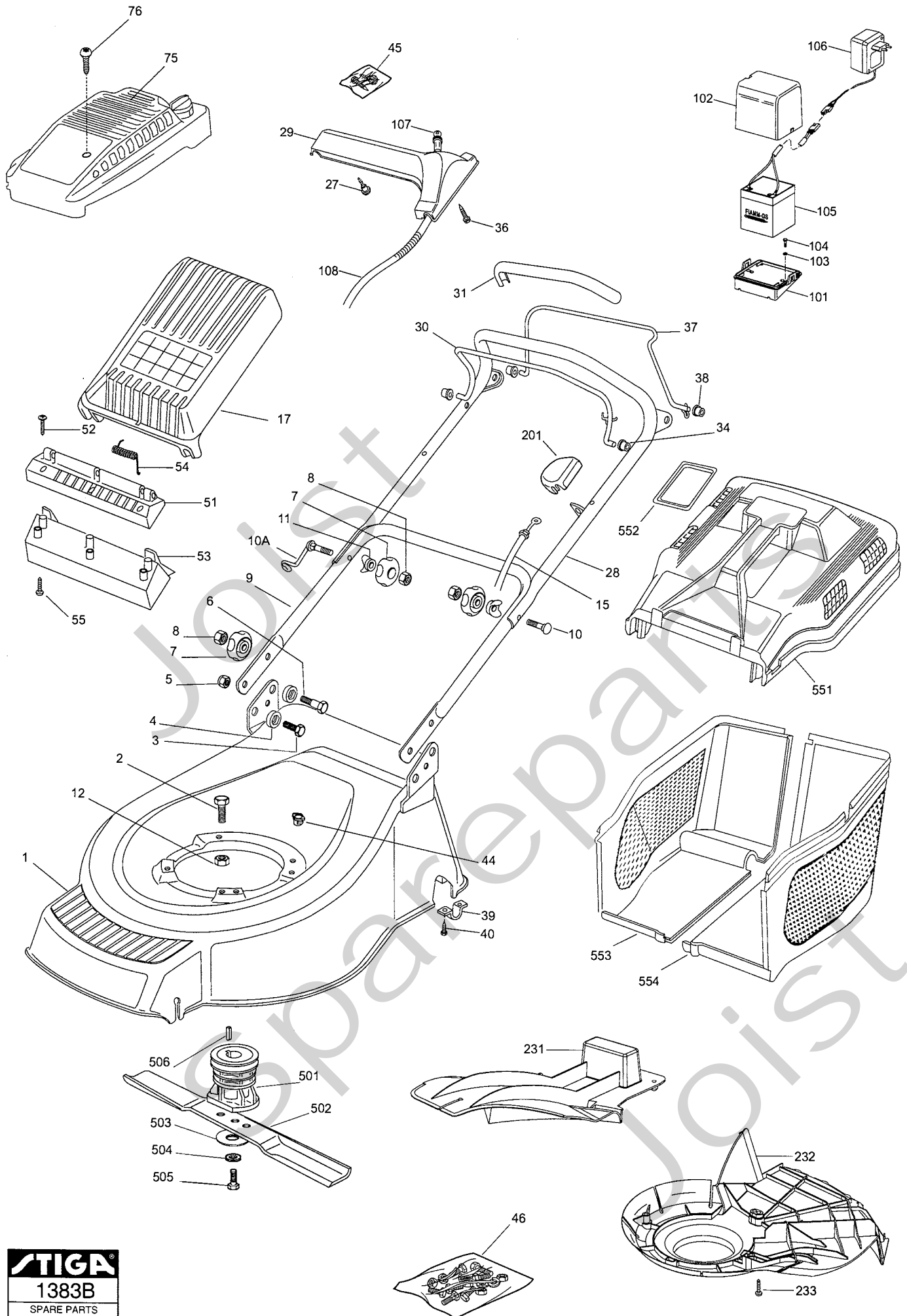
---



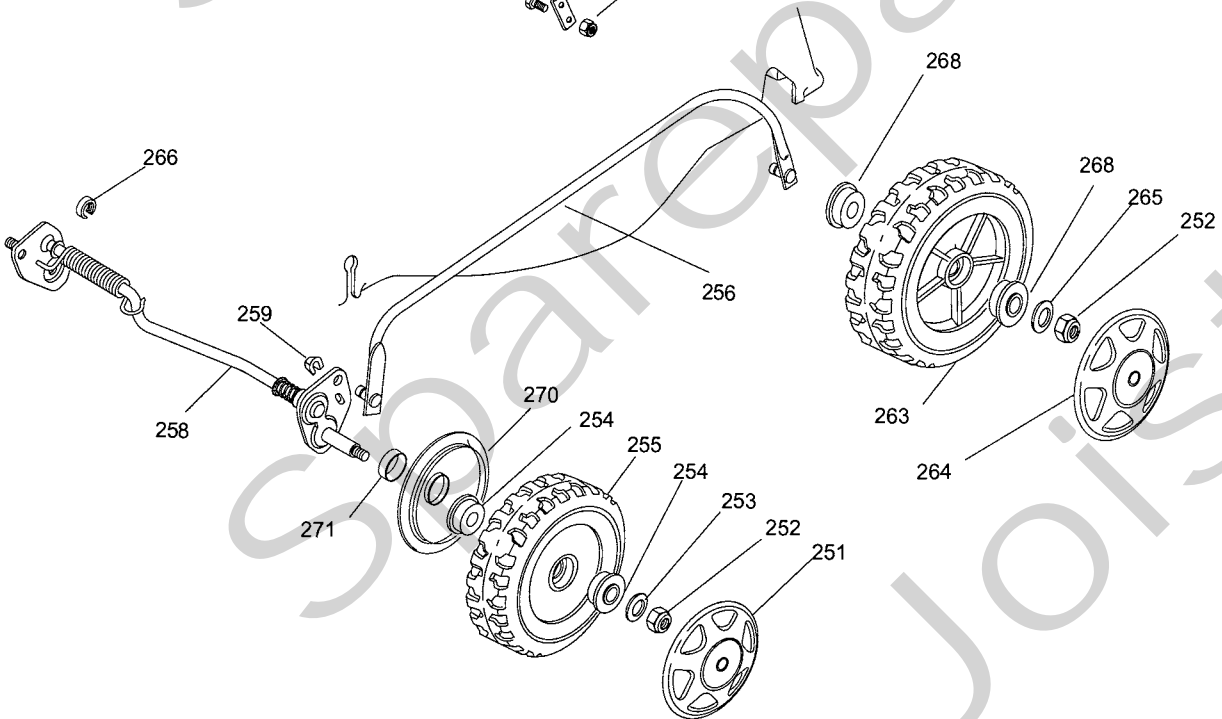
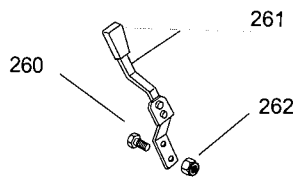
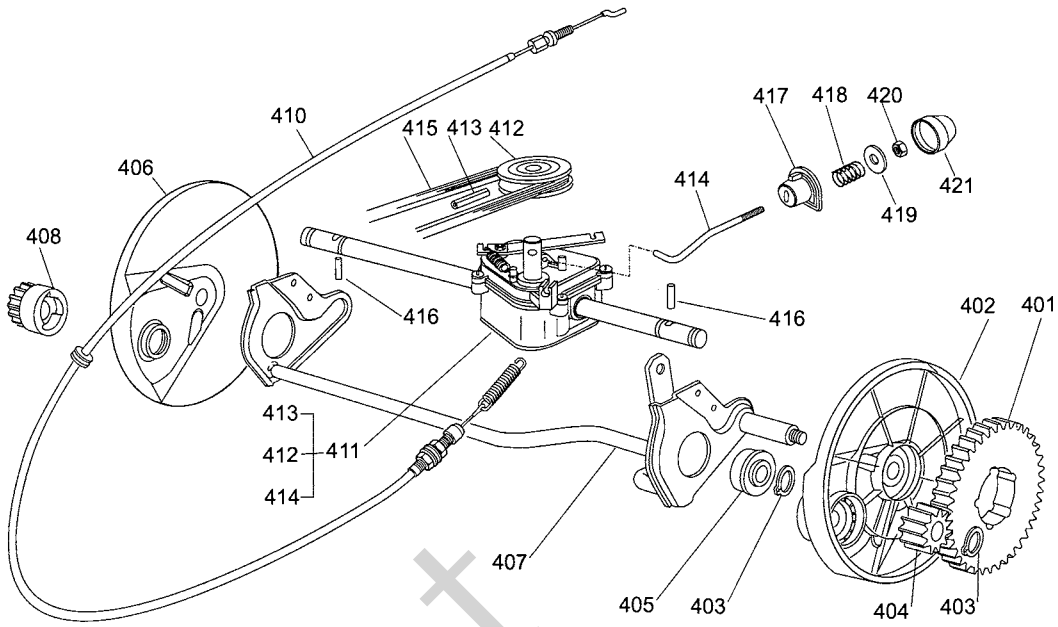
Joist  
Spareparts  
Joist



Utgåva Issue		Bildnr Picture No				COMBI 53S TURBO 53S- 53SE CHASSI UPPSAMLARE		COMBI 53S TURBO 53S- 53SE CHASSIS GRASS COLLECTOR		Sida Page
2004- 12		1383B								154
Pos. Fig.	Antal/Quantity				Art nr Part No	Benämning	Description	Sats Kit	Anmärkning Notes	
	5281 -23	5286 -83	5286 -13	5298 -13						
X 1	1	1	1	1	1136- 1526- 01	Chassi- gul.....	Chassis- yellow .....			
2	3/2	3/2	3/2	3/2	9997- 0830- 16	Skruv .....	Screw .....		L = 30 mm	
2	0/1	0/1	0/1	0/1	9997- 0860- 16	Skruv .....	Screw .....		L = 60 mm	
3	2	2	2	2	9997- 0816- 16	Skruv .....	Screw .....			
4	4	4	4	4	1136- 0637- 01	Bussning .....	Bush .....			
5	2	2	2	2	9747- 0831- 02	Mutter .....	Lock nut .....			
6	2	2	2	2	1136- 0617- 01	Skruv .....	Screw .....			
7	4	4	4	4	1117- 3194- 01	Låsrott .....	Locking knob .....			
8	4	4	4	4	9799- 0831- 02	Mutter .....	Nut .....			
9	1	1	1	1	1136- 1193- 01	Styre- underdel .....	Handle- lower .....			
10	1	1	1	1	1136- 0620- 01	Skruv .....	Screw .....			
10A	1	1	1	1	1136- 0747- 01	Skruv m. ögla .....	Screw w. loop .....			
11	2	2	2	2	1136- 0693- 01	Bricka .....	Washer .....			
12	3/2	3/2	3/2	3/2	9739- 0831- 22	Mutter .....	Nut .....			
12	0/1	0/1	0/1	0/1	9747- 0831- 02	Mutter .....	Lock nut .....			
15		1	1	1	1136- 0716- 01	Motorbromswire .....	Engine brake cable .....			
15	1				1136- 0717- 01	Motorbromswire .....	Engine brake cable .....			
17	1	1			1111- 3283- 01	Lucka- gul.....	Flap- yellow .....			
17			1	1	1111- 3283- 02	Lucka- svart.....	Flap- black .....			
27				1	1136- 0708- 01	Skruv .....	Screw .....			
28	1	1	1	1	1136- 0763- 01	Styre- överdel .....	Handle- upper.....			
29				1	1136- 1336- 01	Panel .....	Dashboard .....			
30	1	1	1	1	1136- 0746- 01	Motorbromsbygel.....	Engine brake lever.....			
31			1	1	1136- 1191- 01	Handtag- svart .....	Handgrip- black.....			
34	2	2	2	2	1136- 0640- 01	Bussning .....	Bush .....			
36				1	9847- 8038- 16	Skruv .....	Screw .....			
37	1	1	1	1	1136- 0745- 01	Drivbygel .....	Drive lever .....			
38	2	2	2	2	1136- 0639- 01	Bussning .....	Bush .....			
39	2	2	2	2	1136- 0682- 01	Bygel .....	Plate .....			
40	4	4	4	4	9847- 8119- 16	Skruv .....	Screw .....			
44	1	1	1	1	1136- 0665- 01	Gummihylsa .....	Rubber insert .....			
45				1	1136- 0775- 01	Skruvsats- panel .....	Screw set- dashboard .....			
46	1	1	1	1	1136- 0803- 01	Skruvsats.....	Screw set .....			
51	1	1			1136- 0703- 01	Luckhållare- gul .....	Fulcrum- yellow.....			
51			1	1	1136- 0705- 01	Luckhållare- svart .....	Fulcrum- black .....			
52	3	3	3	3	9836- 9525- 12	Skruv .....	Screw .....			
53	1	1			1136- 0702- 01	Uppsamlarfäste- gul .....	Bag holder- yellow.....			
53			1	1	1136- 0704- 01	Uppsamlarfäste- svart.....	Bag holder- black .....			
54	1	1	1	1	1111- 2792- 01	Fjäder .....	Spring .....			
X 55	3	3	3	3	1136- 1458- 01	Skruv .....	Screw .....			
X 75	1	1			1111- 3287- 01	Motorkåpa- svart .....	Engine cover- black.....			
X 75			1		9500- 9931- 02	Motorkåpa .....	Engine cover .....			
76	2	2	2		9828- 7942- 12	Skruv .....	Screw .....			
101				1	1136- 1353- 01	Batteriplatta .....	Battery support .....			
102				1	1136- 1334- 01	Lock .....	Cover .....			
103				2	9699- 0021- 02	Bricka .....	Washer .....			
104				2	1136- 1313- 01	Skruv .....	Screw .....			
105				1	1136- 1320- 01	Batteri .....	Battery .....			
106				1	1136- 1321- 01	Batteriladdare .....	Charger .....			
107				1	1136- 0627- 01	Tändningslås .....	Switch .....			
108				1	1136- 0625- 01	Startkabel .....	Start cable .....			
201	1	1	1		1136- 0691- 01	Skydd .....	Protection .....			
231	1	1	1	1	1136- 0656- 01	Mulcherplugg .....	Deflector .....			
232	1	1	1	1	1136- 0645- 01	Skyddskåpa .....	Protection .....			
233	2	2	2	2	1136- 0615- 01	Skruv .....	Screw .....			
501	1	1	1	1	1111- 9120- 01	Knivfäste m.remskiva .....	Hub w. pulley .....			
502	1	1	1	1	1111- 9122- 01	Kniv .....	Blade .....			
503	1	1	1	1	1136- 0083- 01	Fjäderbricka .....	Elastic washer .....			
504	1	1	1	1	1136- 0015- 01	Bricka .....	Washer .....			
505	1	1	1	1	1136- 0616- 01	Bult .....	Screw .....			
506	1	1	1	1	9600- 0014- 00	Kil .....	Key .....			
551	1	1			1111- 2840- 01	Uppsamlarlock- gul.....	Top collector- yellow .....			
551			1	1	1111- 2840- 02	Uppsamlarlock- svart.....	Top collector- black .....			




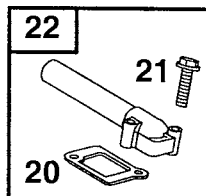
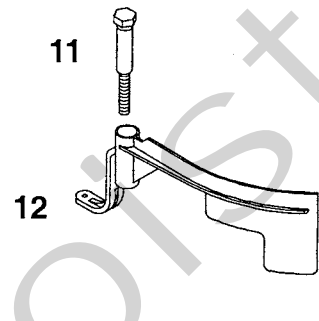
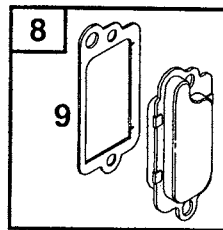
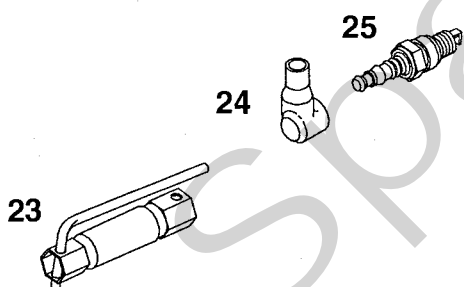
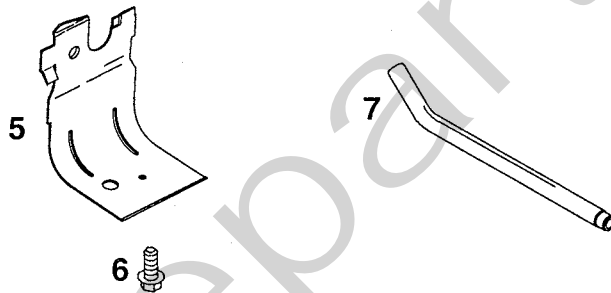
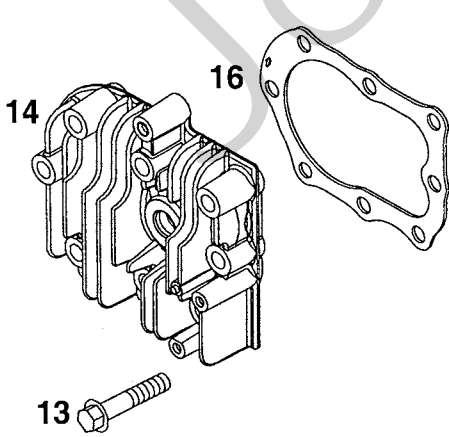
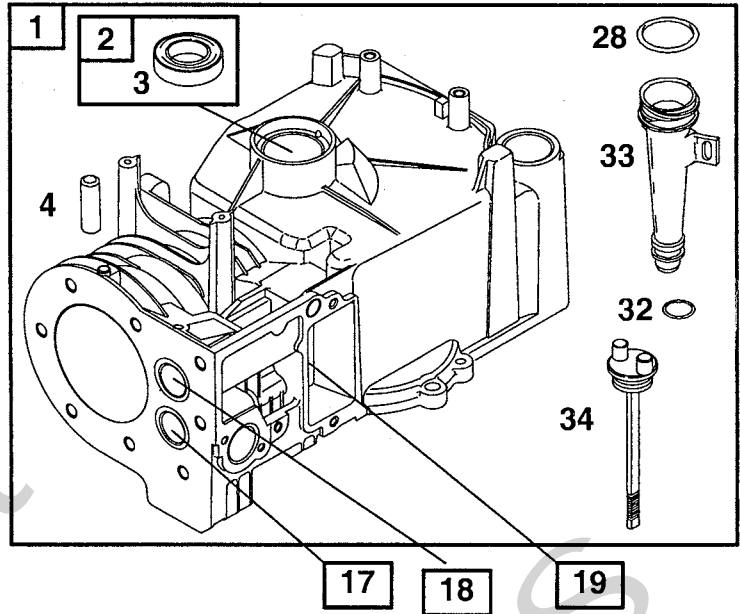
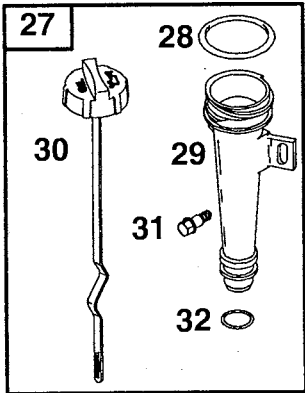
Utgåva Issue 2004-12		Bildnr Picture No 1383B				COMBI 53S TURBO 53S- 53SE CHASSI UPPSAMLARE		COMBI 53S TURBO 53S- 53SE CHASSIS GRASS COLLECTOR		Sida Page 156
Pos. Fig.	Antal/Quantity				Art nr Part No	Benämning	Description	Sats Kit	Anmärkning Notes	
	5281 -23	5286 -83	5286 -13	5298 -13						
552	1	1	1	1	1111-2764-01	Täckbricka .....	Cover .....			
553	1	1	1	1	1111-2842-02	Uppsaml. u- del- hö .....	Collector-lower part .....			
554	1	1	1	1	1111-2841-02	Uppsaml. u- del- vä .....	Collector-lower part .....			



Utgåva Issue		Bildnr Picture No		COMBI 53S HJULUPPHÄNGNING TRANSMISSION		COMBI 53S WHEEL SUSPENSION TRANSMISSION		Sida Page	
2004-12		1384B						160	
Pos. Fig.	Antal/Quantity			Art nr Part No	Benämning	Description	Sats Kit	Anmärkning Notes	
	5281 -23	5286 -83							
	2	2		1111-3084-01	Navkapsel- gul .....	Hub cap- yellow .....		Inkl. pos 254	
	4	4		9747-0831-02	Mutter .....	Lock nut .....			
	2	2		9699-0028-02	Planbricka .....	Flat washer .....			
	2	2		1111-3296-01	• Kullager .....	• Ball bearing .....			
	2	2		1111-2784-01	Hjul kpl .....	Wheel assy .....			
	1	1		1136-0756-01	Höjdinställningsstång .....	Height adjust rod .....			
	1	1		1136-0712-01	Framaxel .....	Front wheel axle .....			
	2	2		1136-0009-01	Låsplatta .....	Lock plate .....			
	2	2		9997-0512-16	Skruv .....	Screw .....			
	1	1		1136-0742-01	Höjdinställningsspak .....	Height adjust lever .....			
	2	2		9747-0531-02	Mutter .....	Nut .....			
	2	2		1136-0772-01	Hjul .....	Wheel .....			
	2	2		1136-0646-01	Navkapsel- gul .....	Hub cap- yellow .....			
	2	2		1136-0006-01	Fjäderbricka .....	Elastic washer .....			
	1	1		1136-0658-01	Distans .....	Spacer .....			
	4	4		1136-0655-01	Lager .....	Bearing .....			
	2	2		1111-2785-01	Täckbricka .....	Wheel cover .....			
	2	2		1136-0657-01	Distans .....	Spacer .....			
	2	2		1136-0653-01	Kuggkrans .....	Ring gear .....			
	1	1		1136-0690-01	Hjulskydd- vä .....	Wheel protection- LH .....			
	4	4		9650-0012-04	Seegersäkring .....	Circlip .....			
	1	1		1136-0685-01	Drev- vä .....	Pinion- LH .....			
	2	2		1136-0632-01	Lager .....	Bearing .....			
	1	1		1136-0689-01	Hjulskydd- hö .....	Wheel protection- RH .....			
	1	1		1136-0713-01	Bakaxel .....	Rear wheel axle .....			
	1	1		1136-0684-01	Drev- hö .....	Pinion- RH .....			
X	1	1		1136-1459-01	Kopplingswire .....	Clutch cable .....			
X	1	1		1136-1456-01	Transmission kpl .....	Gearbox assy (black) .....	Inkl. pos 412 - 414		
	1	1		1136-0692-01	• Remskiva .....	• Pulley .....			
	1	1		1136-0612-01	• Stift .....	• Pin .....			
X	1	1		1136-1454-01	• Justerstång .....	• Adjustment rod .....			
	1	1		1111-9124-01	Drivrem .....	Belt .....			
	2	2		1136-0697-01	Stift .....	Pin .....			
	1	1		1136-0638-01	Bussning .....	Bush .....			
	1	1		1136-0668-01	Fjäder .....	Spring .....			
	1	1		1136-0091-01	Bricka .....	Washer .....			
	1	1		9747-0631-02	Låsmutter .....	Lock nut .....			
	1	1		1136-0081-01	Navkapsel .....	Hub cap .....			

A

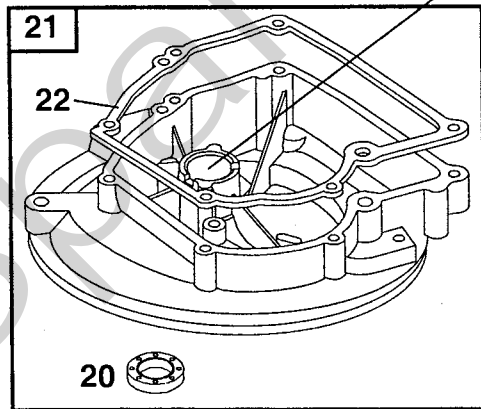
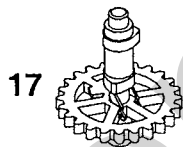
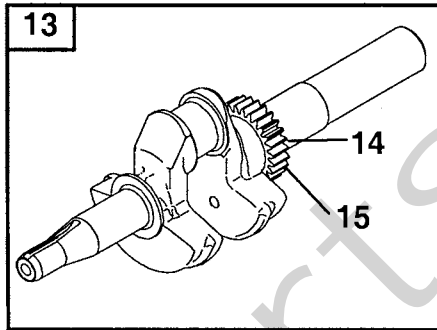
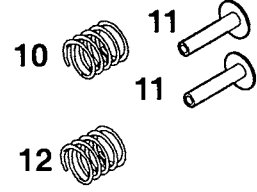
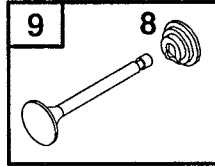
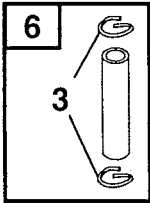
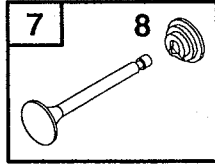
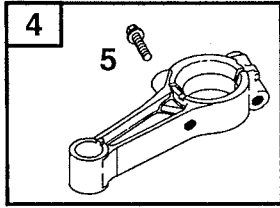
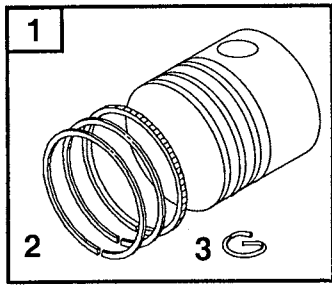
15 





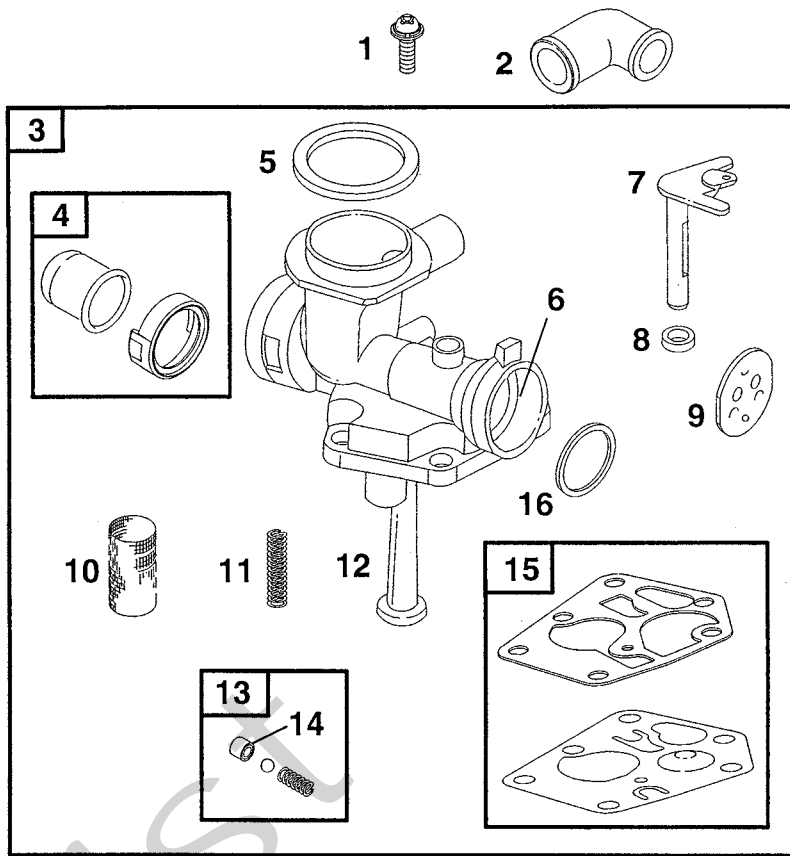
Utgåva Issue 2004-12		Bildnr Picture No 1476		BRIGGS & STRATTON 10D902 CYLINDER		BRIGGS & STRATTON 10D902 CYLINDER		Sida Page 384
Pos. Fig.	Antal/Quantity			Art nr Part No	Benämning	Description	Sats Kit	Anmärkning Notes
	10D 902- 0141	10D 902- 0153						
X	A01	1		399164	Cylinder kpl.....	Cylinder assy.....		
	A01		1	699653	Cylinder kpl.....	Cylinder assy.....		
	A02	1	1	399269	• Bussning.....	• Bushing.....		
	A03	1	1	299819	• Tätningring.....	• Oil seal.....	S	
	A04	2	2	690959	• Tapp.....	• Locating pin.....		
	A05	1	1	690400	Skyddsplåt.....	Cylinder shield.....		
	A06	1	1	690345	Skruv.....	Screw.....		
	A07	1	1	691245	Rör.....	Breather tube.....		
	A08	1		495785	Vevhusventilation.....	Breather.....		
X	A08		1	699640	Vevhusventilation.....	Breather.....		
	A09	1		272602	• Packning.....	• Gasket.....	S	
	A09		1	695890	• Packning.....	• Gasket.....	S	
	A10	2	2	691666	Skruv.....	Screw.....		
	A11	1	1	691107	Skruv.....	Screw.....		
	A12	1	1	691912	Regulatorvinge.....	Governor blade.....		
X	A13		8	691640	Skruv.....	Screw.....		
	A13	8		691697	Skruv.....	Screw.....		
	A14	1	1	690386	Topplöck.....	Cylinder head.....		
	A15	1	1	692889	Distans.....	Spacer.....		
	A16	1		692288	Topplöckspackning.....	Cylinder head gasket.....	S	
X	A16		1	698717	Topplöckspackning.....	Cylinder head gasket.....	S	
	A17	1		691702	• Ventilåte- utblås.....	• Valve seat- exhaust.....		
X	A17		1	699642	• Ventilåte- utblås.....	• Valve seat- exhaust.....		
	A18	1		691701	• Ventilåte- insug.....	• Valve seat- intake.....		
X	A18		1	699641	• Ventilåte- insug.....	• Valve seat- intake.....		
	A19	1		231348	• Ventilstyrning- utblås.....	• Guide bushing- exhaust.....		
	A19	1		63709	• Ventilstyrning- insug.....	• Guide- intake valve.....		
X	A19		1	699643	• Ventilstyrning- utblås.....	• Valve guide- exhaust.....		
X	A20	1		270345	• Packning.....	• Gasket.....	S	
X	A20		1	699649	• Packning.....	• Gasket.....	S	
	A21	2	2	691111	• Skruv.....	• Screw.....		
	A22	1		693446	Insugningsrör.....	Intake manifold.....		
X	A22		1	699644	Insugningsrör.....	Intake manifold.....		
	A23	1	1	1111- 9029- 01	Tändstiftsnyckel.....	Spark plug wrench.....		
	A24	1	1	66538	Tändstiftsskydd.....	Spark plug elbow.....		
	A25	1	1	9400- 0225- 00	Tändstift.....	Spark plug.....		Champion J19LM
	A27	1		691440	Oljesticka kpl.....	Dipstick assy.....		
	A28	1	1	691870	• Tätningring.....	• Seal.....		
	A29	1		691320	• Påfyllningsrör.....	• Dipstick tube.....		
	A30	1		692040	• Oljesticka.....	• Dipstick.....		
	A31	1		691002	• Skruv.....	• Screw.....		
	A32	1	1	691876	• Tätningring.....	• Dipstick tube seal.....	S	
	A33		1	691320	• Påfyllningsrör.....	• Dipstick tube.....		
	A34		1	691913	• Oljesticka.....	• Oil dipstick.....		

A

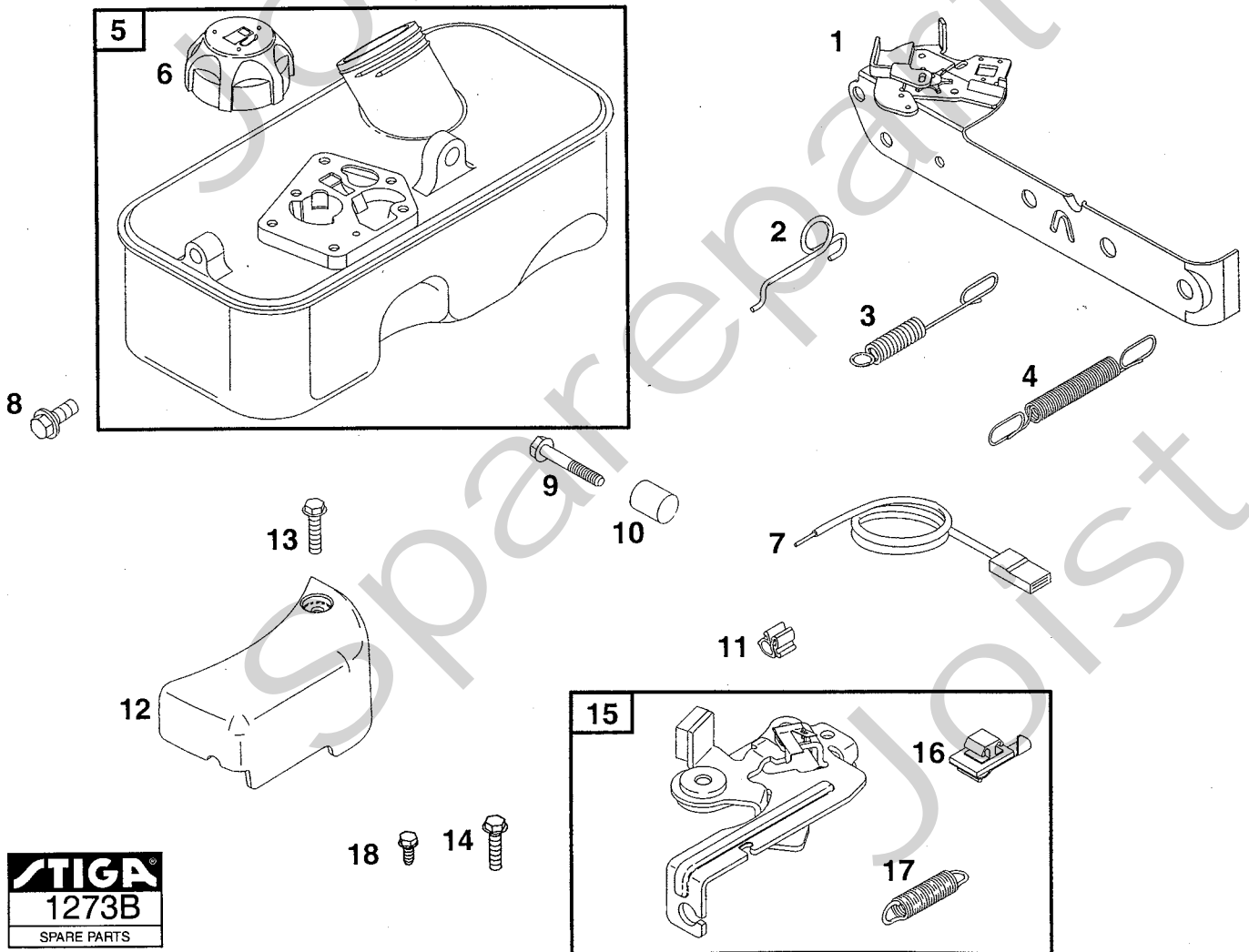


Utgåva Issue 2004-12		Bildnr Picture No 1477		BRIGGS & STRATTON 10D902 VEVAXEL VEVHUS		BRIGGS & STRATTON 10D902 CRANKSHAFT CRANKCASE		Sida Page 386	
Pos. Fig.	Antal/Quantity			Art nr Part No	Benämning	Description	Sats Kit	Anmärkning Notes	
	10D 902- 0141	10D 902- 0153							
	A01	1		498668	Kolv kpl.....	Piston assy .....		Standard	
	A01	1		498669	Kolv kpl.....	Piston assy .....		.010" oversize	
	A01	1		498670	Kolv kpl.....	Piston assy .....		.020" oversize	
	A01	1		498671	Kolv kpl.....	Piston assy .....		.030" oversize	
X	A01		1	699657	Kolv kpl.....	Piston assy .....		Standard	
	A02	1		498680	• Kolvringsats.....	• Ring set.....		Standard	
	A02	1		498681	• Kolvringsats.....	• Ring set.....		.010" oversize	
	A02	1		498682	• Kolvringsats.....	• Ring set.....		.020" oversize	
	A02	1		498683	• Kolvringsats.....	• Ring set.....		.030" oversize	
X	A02		1	699658	• Kolvringsats.....	• Ring set.....		Standard	
	A03	2	2	691588	• Låsring .....	• Piston pin lock .....			
	A04	1		496792	Vevstake .....	Connecting rod .....			
X	A04		1	699654	Vevstake .....	Connecting rod .....			
	A05	2	2	691664	• Skruv .....	• Screw .....			
	A06	1		298908	Kolvbult kpl.....	Piston pin assy.....		.005" oversize	
	A06	1	1	298909	Kolvbult kpl.....	Piston pin assy.....		Standard	
	A07	1	1	296676	Utblåsningsventil.....	Exhaust valve .....			
	A08	2	2	692194	• Ventilhållare .....	• Valve retainer .....			
	A09	1	1	296677	Insugningsventil .....	Intake valve .....			
	A10	1	1	690520	Ventilfjäder .....	Valve spring .....			
	A11	2	2	691762	Ventilyftare .....	Valve tappet .....			
	A12	1	1	690520	Ventilfjäder .....	Valve spring .....			
	A13	1	1	691471	Vevaxel .....	Crankshaft.....			
	A14	1	1	499047	• Stift.....	• Pin.....			
	A15	1	1	691805	• Drev .....	• Timing gear .....			
	A16	1	1	222698	Kil .....	Key .....			
	A17	1	1	691998	Kamaxel.....	Camshaft.....			
	A18	1		691983	Oljeslungare.....	Oil slinger .....			
X	A18		1	698690	Oljeslungare.....	Oil slinger .....			
	A19	1	1	293709	• Bussning.....	• Bushing.....			
	A20	1	1	391483	• Tätningring .....	• Oil seal .....	S		
	A21	1	1	395384	Vevhus.....	Oil sump .....			
	A22	1	1	270895	• Vevhuspackning .....	• Crankcase gasket .....	S	.005" thick	
	A22	1	1	270896	• Vevhuspackning .....	• Crankcase gasket .....	S	.009" thick	
	A22	1	1	692218	• Vevhuspackning .....	• Crankcase gasket .....	S	.015" thick (Standard)	
	A23	1	1	691680	Oljeavtappningsplugg .....	Oil drain plug .....			
	A24	6	6	691662	Skruv .....	Screw .....			
	A31	1		298989	Packningssats .....	Gasket set .....		Märkta/marked S	
X	A31		1	699933	Packningssats .....	Gasket set .....		Märkta/marked S	

A

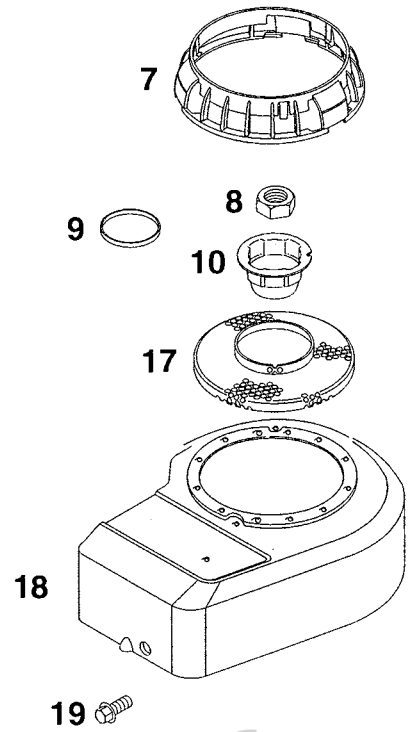
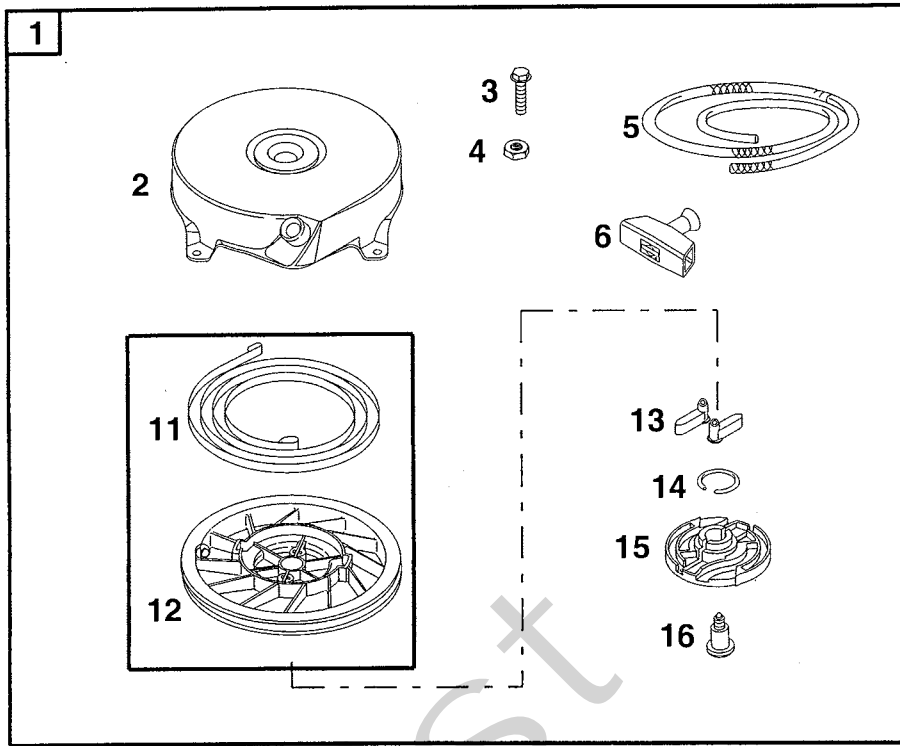


B

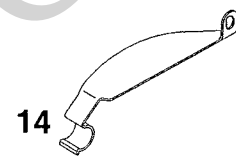
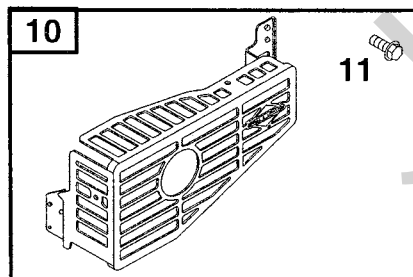
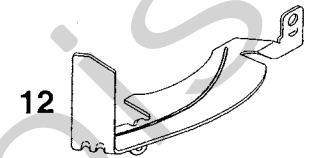
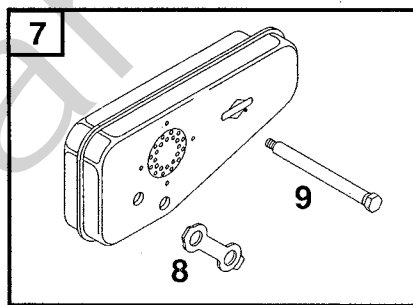
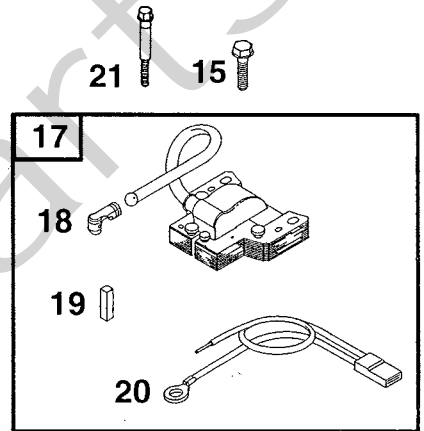
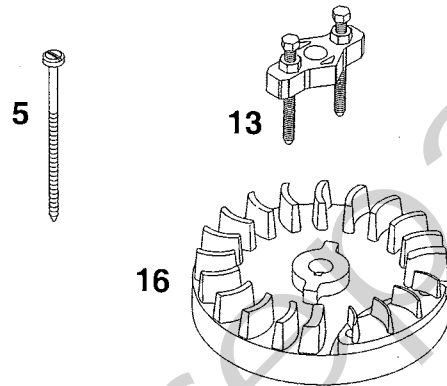
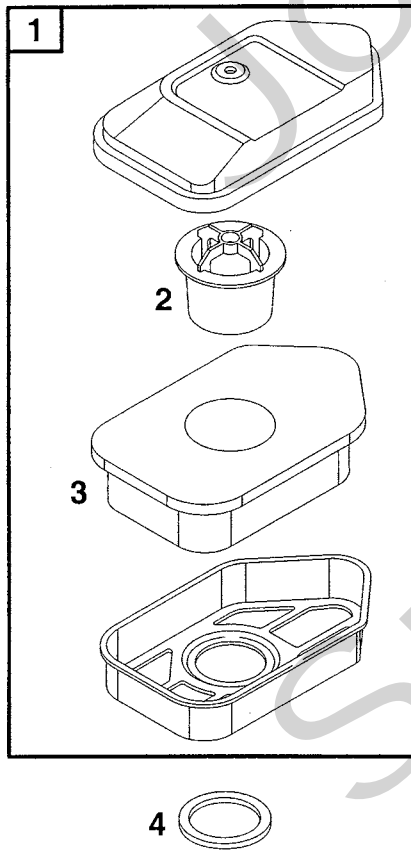


Utgåva Issue		Bildnr Picture No		BRIGGS & STRATTON 10D902 FÖRGASARE BRÄNSLETANK		BRIGGS & STRATTON 10D902 CARBURETTOR FUEL TANK		Sida Page	
2004-12		1273B						388	
Pos. Fig.	Antal/Quantity			Art nr Part No	Benämning	Description	Sats Kit	Anmärkning Notes	
	10D 902- 0141	10D 902- 0153							
A01	4	4		692200	Skruv .....	Screw .....			
A02	1	1		692189	Hylsa .....	Grommet.....			
A03	1	1		498811	Förgasare kpl.....	Carburettor assy .....			
A04	1			494408	• Primer.....	• Primer bulb .....			
A04		1		694394	• Primer.....	• Carburettor primer .....			
A05	1	1		271139	• Packning.....	• Gasket .....			
A06	1	1		270344	• Tätning .....	• Seal .....			
A07	1	1		691931	• Spjällaxel .....	• Throttle shaft.....			
A08	1	1		691321	• Dammtätning.....	• Dust seal .....			
A09	1	1		691190	• Gasspjäll.....	• Throttle valve .....			
A10	1	1		691837	• Nät.....	• Screen .....			
A11	1	1		691839	• Fjäder.....	• Spring .....			
A12	1	1		496046	• Bränslerör.....	• Fuel pipe.....			
A13	1	1		494409	• Ventilsåte .....	• Check valve seat.....			
A14	1	1		691901	• Säte .....	• Inlet seat .....			
A15	1	1		495770	• Membran .....	• Diaphragm .....			
A16	1	1		695866	• O-ring.....	• O-ring seal.....			
B01	1	1		691446	Reglageplåt.....	Control bracket .....			
B02	1	1		690347	Regulatorlänk .....	Air vane link .....			
B03	1			690251	Regulatorfjäder.....	Governor spring .....			
B03		1		690254	Regulatorfjäder.....	Governor spring .....			
B04	1	1		691859	Fjäder.....	Idle spring .....			
B05	1	1		494406	Bränsletank.....	Fuel tank .....			
B06	1	1		497929	• Tanklock .....	• Fuel cap.....			
B07	1	1		692390	Stoppkabel.....	Stop wire.....			
B08	1	1		692198	Skruv .....	Screw .....			
B09	1	1		691697	Skruv .....	Screw .....			
B10	1	1		691633	Distans .....	Spacer .....			
B11	1	1		690586	Wireklämna .....	Wire clip.....			
B12	1	1		691349	Kåpa .....	Linkage cover .....			
B13	1	1		691111	Skruv .....	Screw .....			
B14	2	2		691146	Skruv .....	Screw .....			
B15	1	1		691487	Broms.....	Brake.....			
B16	1	1		692310	• Stoppkontakt .....	• Stop switch .....			
B17	1	1		692135	• Bromsfjäder.....	• Brake spring .....			
B18	1	1		690859	Skruv .....	Screw .....			

A

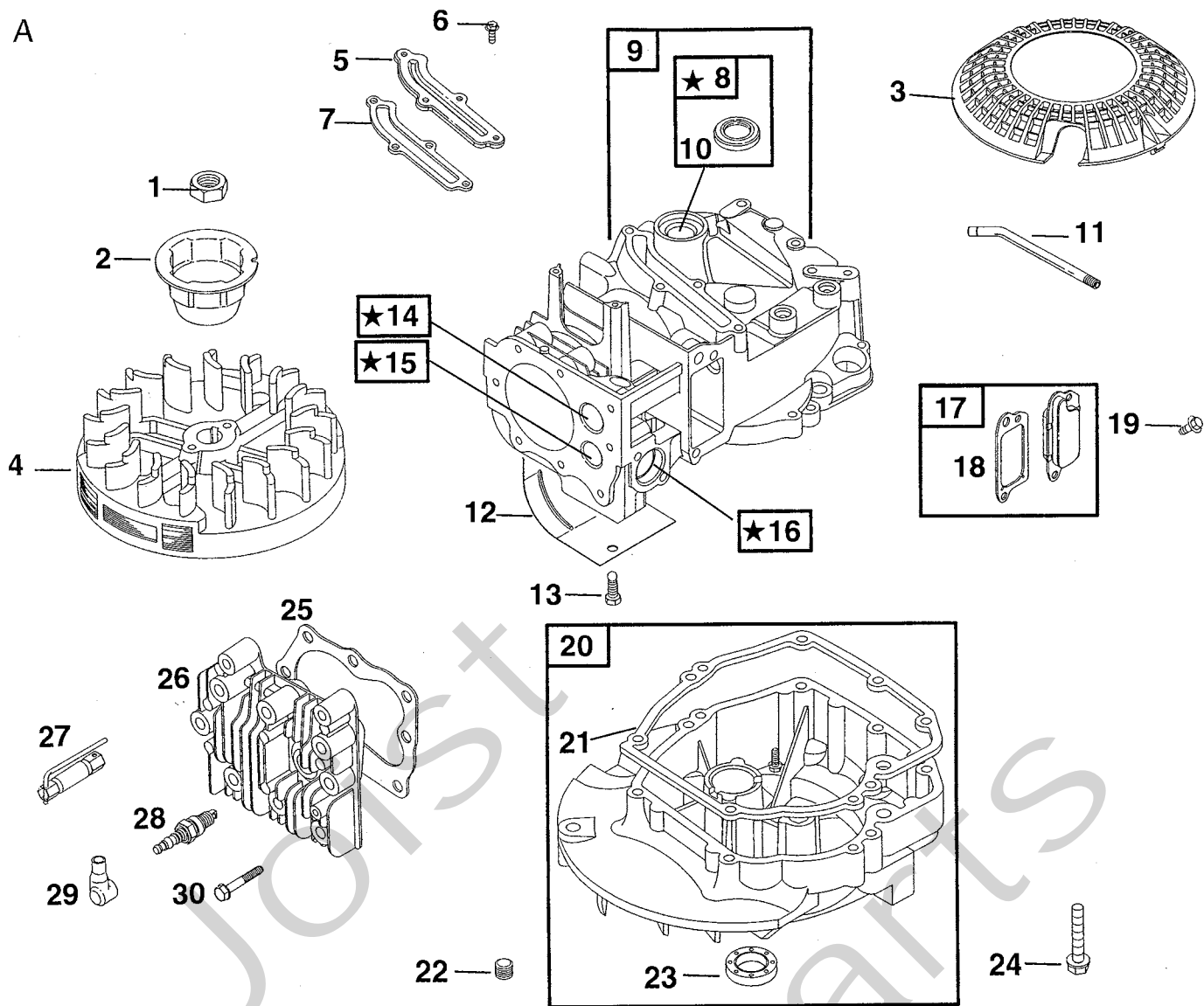


B

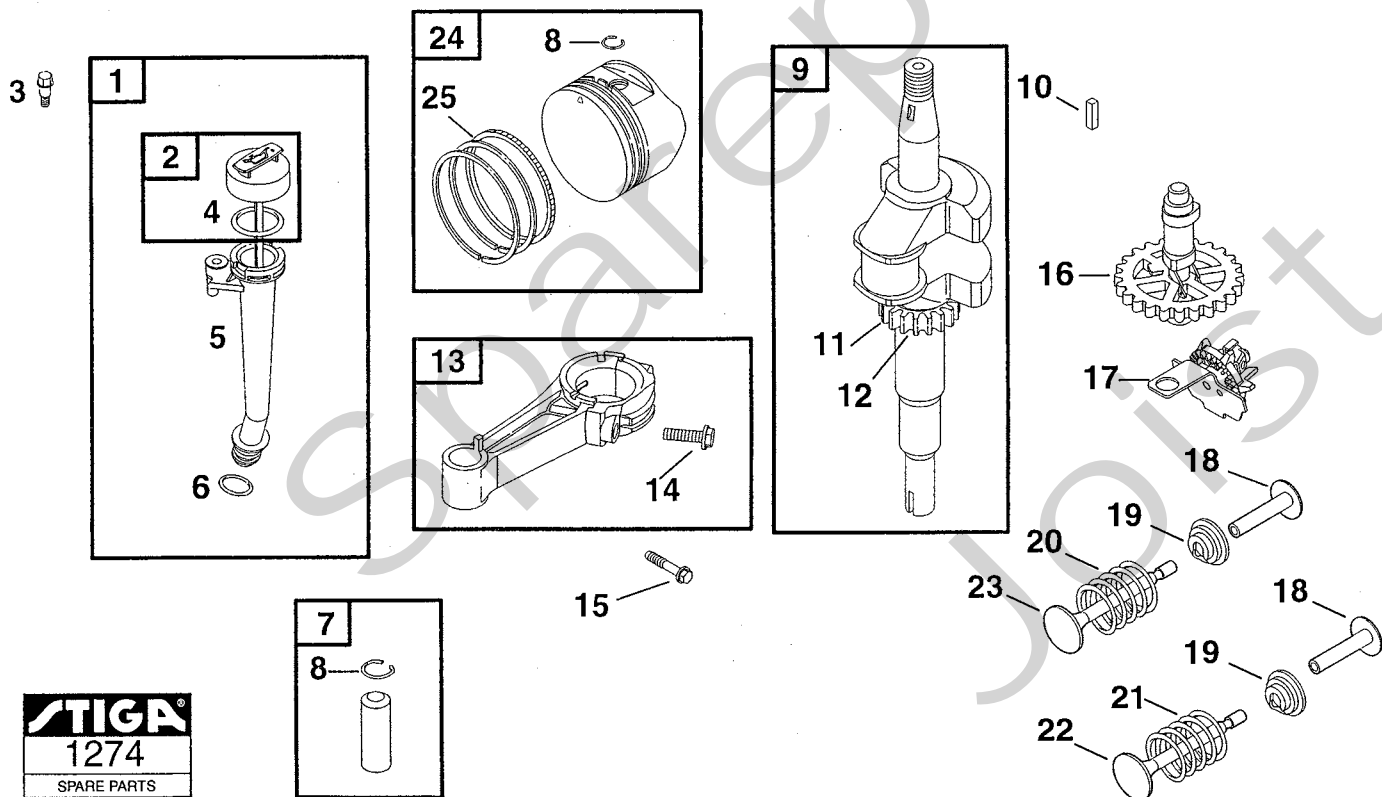


Utgåva Issue		Bildnr Picture No		BRIGGS & STRATTON 10D902 START LUFTFILTER		BRIGGS & STRATTON 10D902 STARTER AIR CLEANER		Sida Page	
2004-12		1272A						390	
Pos. Fig.	Antal/Quantity			Art nr Part No	Benämning	Description	Sats Kit	Anmärkning Notes	
	10D 902- 0141	10D 902- 0153							
X	A01	1	1	499706	Start kpl.....	Rewind starter.....			
	A02	1	1	692144	• Starthus.....	• Starter housing.....			
	A03	4	4	690837	• Skruv.....	• Screw.....			
	A04	4	4	690800	• Mutter.....	• Nut.....			
	A05	1		692259	• Startsnöre.....	• Starter rope.....			
	A05		1	697316	• Startsnöre.....	• Starter rope.....			
	A06	1	1	691915	• Starthandtag.....	• Starter grip.....			
	A07	1	1	691348	Skydd.....	Rewind guard.....			
	A08	1	1	690662	Mutter.....	Flywheel nut.....			
	A09	1		694420	Roterande platta.....	Rotating trim plate.....			
	A10	1	1	691236	Svänghjulskopp.....	Flywheel cup.....			
	A11	1	1	499901	• Linhjul m.fjäder.....	• Pulley and spring.....			
	A12	1	1	499901	• Linhjul m.fjäder.....	• Pulley and spring.....			
	A13	2	2	281505	• Startklo.....	• Starter pawl.....			
	A14	1	1	691855	• Friktionsfjäder.....	• Friction spring.....			
	A15	1	1	692299	• Spärrplatta.....	• Pawl friction plate.....			
	A16	1	1	691696	• Skruv.....	• Screw.....			
	A17	1		691235	Skyddsnet.....	Rotating screen.....			
X	A17		1	699850	Skyddsnet.....	Rotating screen.....			
	A18	1	1	691484	Fläkthus.....	Blower housing.....			
	A19	3	3	692198	Skruv.....	Screw.....			
X	B01	1		493492	Luftfilter.....	Air cleaner.....			
X	B01		1	698472	Luftfilter.....	Air cleaner.....			
	B02	1		691911	• Stöd.....	• Support.....			
X	B03	1		272235	• Filterinsats.....	• Air cleaner filter.....			
X	B03		1	698369	• Filterinsats.....	• Air cleaner filter.....			
	B04	1	1	271139	Packning.....	Gasket.....			
	B05	1	1	691417	Skruv.....	Screw.....	S		
	B07	1	1	692307	Ljuddämpare.....	Muffler.....			
	B08	1	1	691179	• Låsbleck.....	• Screw lock.....			
	B09	2	2	691413	• Skruv.....	• Screw.....			
	B10	1	1	494896	Ljuddämparskydd.....	Muffler guard.....			
	B11	2	2	690664	• Skruv.....	• Screw.....			
	B12	1	1	691209	Svänghjulsskydd.....	Flywheel guard.....			
	B13	1	1	19069	Avdragare.....	Puller.....			
	B14	1	1	690482	Svänghjulsskydd.....	Flywheel guard.....			
	B15	2	2	691061	Skruv.....	Screw.....			
	B16	1	1	692009	Svänghjul.....	Flywheel.....			
	B17	1	1	496914	Tändsystem kpl.....	Magneto armature.....			
	B18	1	1	493880	• Anslutningshylsa.....	• Terminal.....			
	B19	1	1	222698	• Kil.....	• Key.....			
	B20	1	1	398808	• Kortslutningskabel.....	• Ground wire.....			
	B21	1		691107	Skruv.....	Screw.....			

A

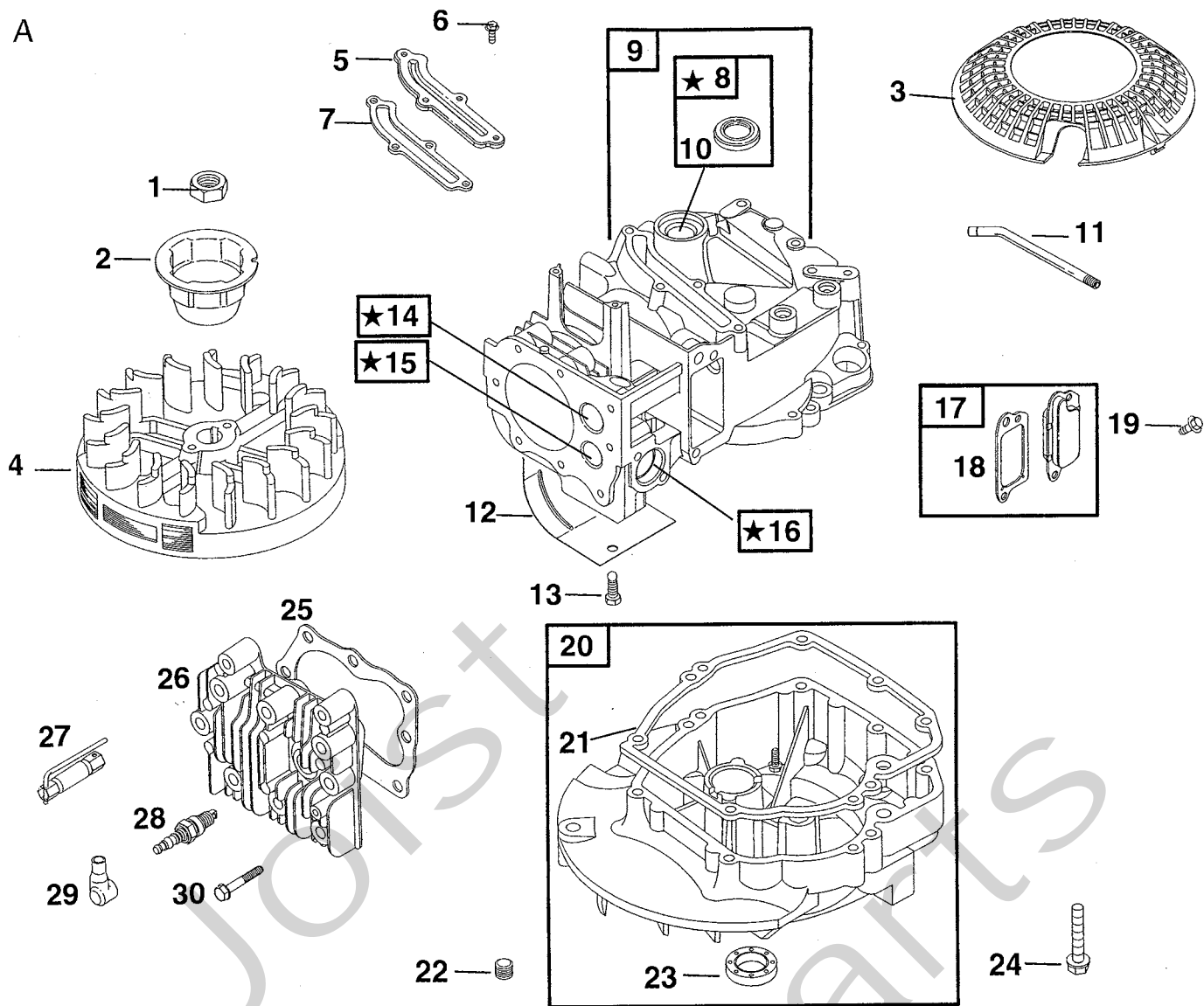


B

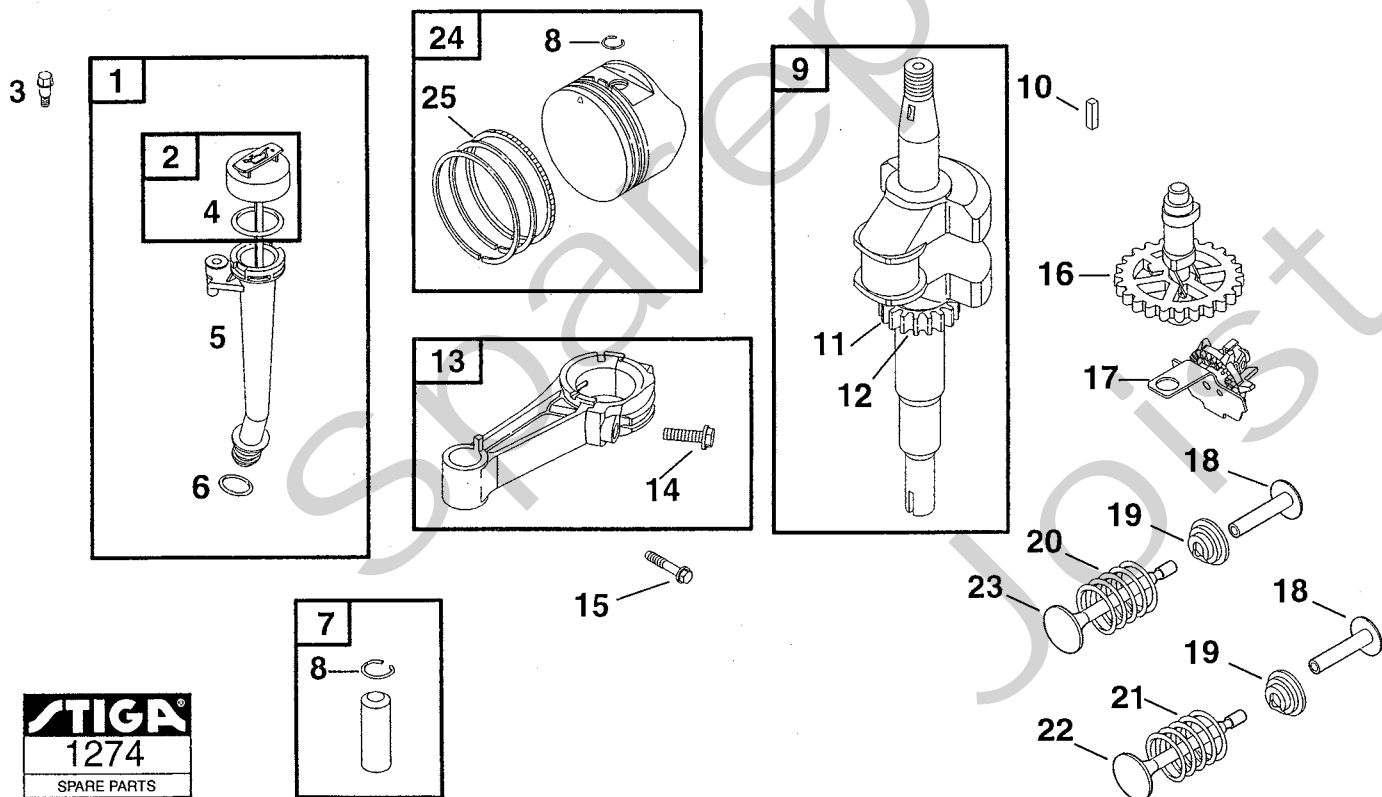




A

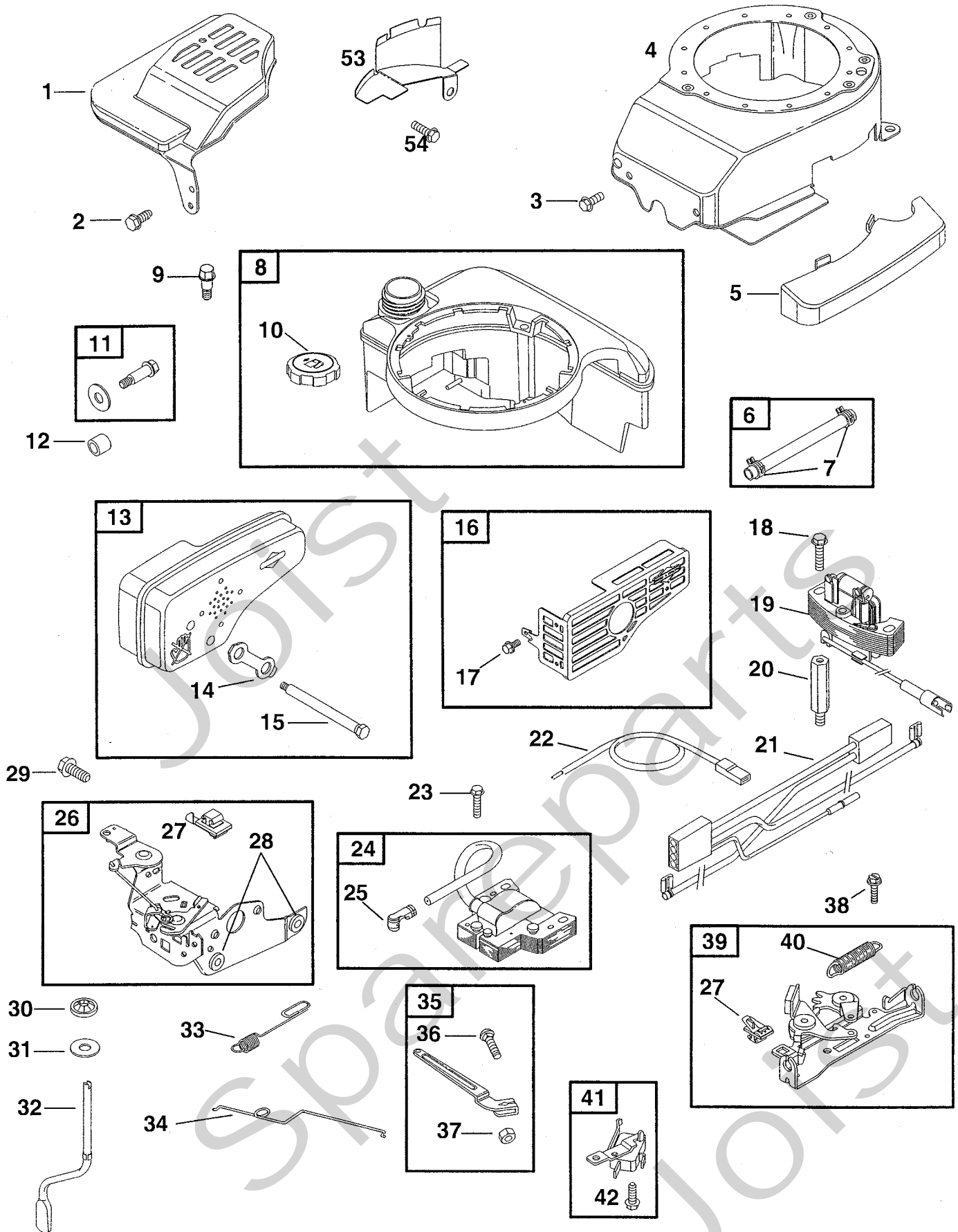


B



Utgåva Issue 2004-12		Bildnr Picture No 1274				BRIGGS & STRATTON 12H802, 12H807 CYLINDER VEVAXEL		BRIGGS & STRATTON 12H802, 12H807 CYLINDER CRANKSHAFT		Sida Page 392
Pos. Fig.	Antal/Quantity				Art nr Part No	Benämning	Description	Sats Kit	Anmärkning Notes	
	12H 802- 1935	12H 807- 1936	12H 802- 1966	12H 807- 1992						
A01	1	1	1	1	690662	Mutter.....	Flywheel nut.....			
A02	1	1	1	1	695161	Svånghjuls kopp.....	Flywheel cup.....			
A03	1	1	1	1	691919	Skydd.....	Rewind guard.....			
A04		1		1	691987	Svånghjul.....	Flywheel.....			
A04	1		1		692315	Svånghjul.....	Flywheel.....			
A05	1	1	1		692342	Lock.....	Cover.....			
X A05				1	697734	Lock.....	Cover.....			
A06	4	4	4	4	690345	Skruv.....	Screw.....			
A07	1	1	1	1	691879	Packning.....	Gasket.....			
A08	1	1	1	1	399269	• Bussning.....	• Bushing.....			
A09	1	1	1	1	697322	Cylinder kpl.....	Cylinder assy.....			
A10	1	1	1	1	299819	Tätningring.....	Oil seal.....			
A11			1		499675	Ventilationsrör.....	Breather tube.....			
A11	1	1		1	691781	Ventilationsrör.....	Breather tube.....			
A12	1	1	1	1	690450	Cylinderskydd.....	Cylinder shield.....			
A13	1	1	1	1	690345	Skruv.....	Screw.....			
A14	1	1	1	1	691155	• Ventilsåte- insug.....	• Valve seat- intake.....			
A15	1	1	1	1	690380	• Ventilsåte- utblås.....	• Valve seat- exhaust.....			
A16	1	1	1	1	262001	• Ventilstyrning- utblås.....	• Valve guide- exhaust.....			
A16	1	1	1	1	63709	• Ventilstyrning- insug.....	• Guide- intake valve.....			
A17	1	1	1	1	695250	Vevhusventilation.....	Breather.....			
A18	1	1	1	1	696125	• Packning.....	• Gasket.....			
A19	2	2	2	2	691125	Skruv.....	Screw.....			
A20	1	1	1	1	493279	Vevhus.....	Engine sump.....			
A21	1	1	1	1	692232	• Packning.....	• Gasket.....			
A22	1	1	1	1	691680	Oljeavtappningsplugg.....	Oil drain plug.....			
A23	1	1	1	1	399781	• Tätningring.....	• Oil seal.....			
A24	7	7	7	7	691092	Skruv.....	Screw.....			
A25	1	1	1	1	692249	Packning.....	Gasket.....			
A26	1	1	1	1	691160	Topplöck.....	Cylinder head.....			
A27	1	1	1	1	1111- 9029- 01	Tändstiftsnyckel.....	Spark plug wrench.....			
A28	1	1	1	1	9400- 0225- 00	Tändstift.....	Spark plug.....		Champion J19LM	
A29	1	1	1	1	66538	Tändstiftsskydd.....	Spark plug elbow.....			
A30	8	8	8	8	690912	Skruv.....	Screw.....			
B01	1	1	1	1	692017	Oljesticka kpl.....	Oil dipstick assy.....			
B02	1	1	1	1	495264	• Oljesticka.....	• Oil dipstick.....			
B03	1	1	1	1	690940	Skruv.....	Screw.....			
B04	1	1	1	1	691031	• O- ring.....	• O- ring.....			
B05	1	1	1	1	495265	• Oljepåfyllningsrör.....	• Oil filler tube.....			
B06	1	1	1	1	692296	• Tätningring.....	• Tube seal.....			
B07	1	1	1	1	499423	Kolvbult.....	Piston pin.....			
B08	2	2	2	2	691866	• Låsring.....	• Lock ring.....			
B09	1	1	1	1	691452	Vevaxel.....	Crankshaft.....			
B10	1	1	1	1	222698	Kil.....	Key.....			
B11	1	1	1	1	691830	• Drev.....	• Timing gear.....			
B12	1	1	1	1	690979	• Kil.....	• Timing key.....			
B13	1	1	1	1	499424	Vevstake.....	Connecting rod.....			
B14	1	1	1	1	691664	• Skruv.....	• Screw.....			
B15	1	1	1	1	695759	Skruv.....	Screw.....			
B16	1	1	1	1	691449	Kamaxel.....	Camshaft.....			
B17	1	1	1	1	691997	Oljeslungare.....	Oil slinger.....			
B18	2	2	2	2	690548	Ventilyftare.....	Valve tappet.....			
B19	2	2	2	2	692194	Ventilhållare.....	Valve retainer.....			
B20	1	1	1	1	691270	Ventilfjäder.....	Valve spring.....			
B21	1	1	1	1	691270	Ventilfjäder.....	Valve spring.....			
B22	1	1	1	1	262651	Utblåsningsventil.....	Exhaust valve.....			
B23	1	1	1	1	262652	Insugningsventil.....	Intake valve.....			
B24	1	1	1	1	499429	Kolv kpl.....	Piston assy.....		Standard	
B24	1	1	1	1	499430	Kolv kpl.....	Piston assy.....		.010" oversize	
B24	1	1	1	1	499431	Kolv kpl.....	Piston assy.....		.020" oversize	
B25	1	1	1	1	499425	• Kolvringsatts.....	• Ring set.....		Standard	
B25	1	1	1	1	499426	• Kolvringsatts.....	• Ring set.....		.010" oversize	
B25	1	1	1	1	499427	• Kolvringsatts.....	• Ring set.....		.020" oversize	

A

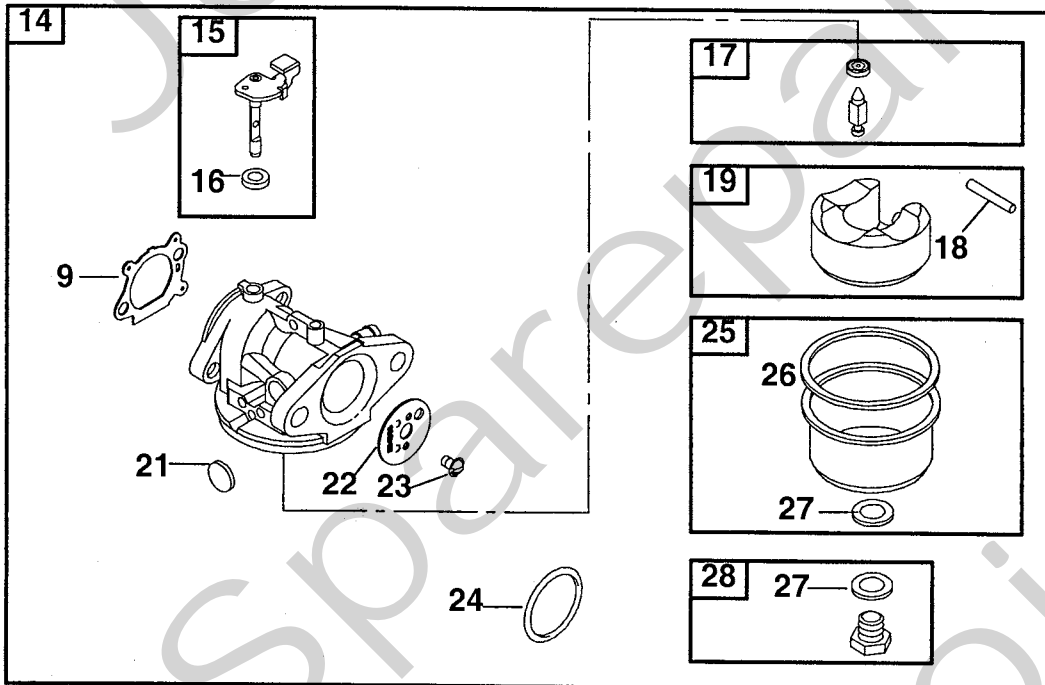
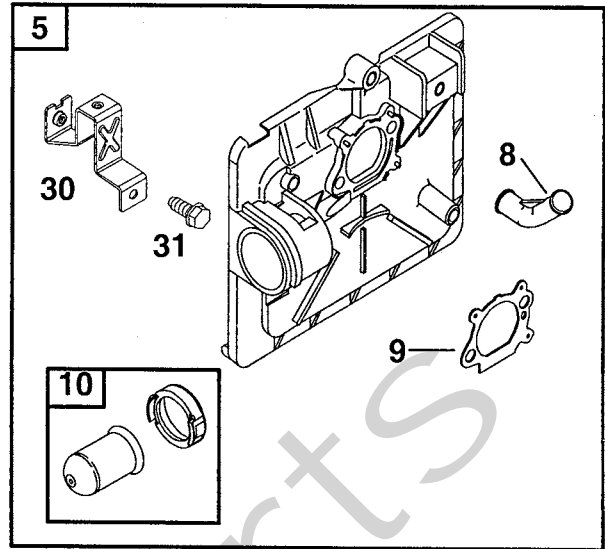
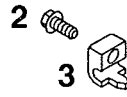
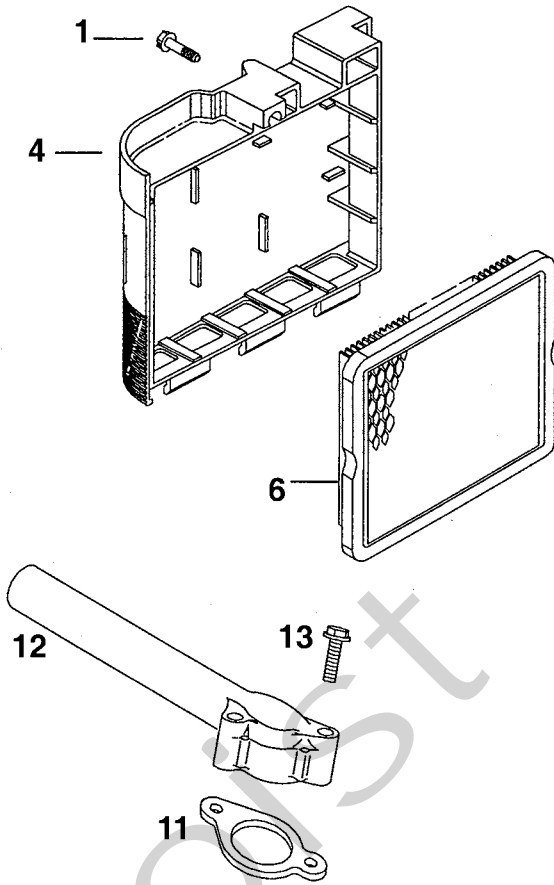


Utgåva Issue 2004-12		Bildnr Picture No 1275				BRIGGS & STRATTON 12H802, 12H807 BRÄNSLETANK REGULATOR		BRIGGS & STRATTON 12H802, 12H807 FUEL TANK GOVERNOR		Sida Page 394	
Pos. Fig.	Antal/Quantity				Art nr Part No	Benämning	Description	Sats Kit	Anmärkning Notes		
	12H 802- 1935	12H 807- 1936	12H 802- 1966	12H 807- 1992							
A01	1	1	1	1	691757	Lock.....	Control cover .....				
A02	1	1	1	1	690664	Skruv .....	Screw .....				
A03	4	4	4	4	691108	Skruv .....	Screw .....				
A04	1	1	1	1	493293	Fläkthus .....	Blower housing .....				
A05	1	1	1	1	690595	Lock.....	Brake cover .....				
A06	1		1		691050	Bränsleslang .....	Fuel line.....				
A06		1		1	691371	Bränsleslang .....	Fuel line.....				
A07	2	2	2	2	95162	Slangklämma.....	Hose clamp .....				
A08	1	1	1		495224	Bränsletank.....	Fuel tank .....				
A08				1	699374	Bränsletank.....	Fuel tank .....				
A09	2	2	2	2	690940	Skruv .....	Screw .....				
A10	1	1	1	1	397974	• Tanklock .....	• Fuel cap.....				
A11	1	1	1	1	692311	Skruv/bricka .....	Screw/washer .....				
A12	1	1	1	1	692294	Distans .....	Spacer .....				
A13	1	1	1	1	692038	Ljuddämpare .....	Muffler .....				
A14	1	1	1	1	691740	• Låsbleck .....	• Screw lock .....				
A15	2	2	2	2	691340	• Skruv .....	• Screw .....				
A16	1	1	1	1	499034	Skydd .....	Guard .....				
A17	2	2	2	2	690664	• Skruv .....	• Screw .....				
A18		2		2	691648	Skruv .....	Screw .....				
A19		1		1	691991	Generator.....	Alternator .....				
A20		2		2	691094	Pinnbult .....	Stud .....				
A21		1		1	696547	Kablage.....	Wiring harness.....				
A22	1	1	1	1	692390	Stoppkabel.....	Stop wire.....				
A23	2	2	2	2	691061	Skruv .....	Screw .....				
A24	1	1	1	1	802574	Tändsystem .....	Magneto armature.....				
A25	1	1	1	1	493880	• Anslutningshylsa .....	• Terminal .....				
A26	1	1	1	1	692031	Reglageplåt .....	Control bracket .....				
A27	2	2	2	2	692310	• Stoppkontakt .....	• Stop switch .....				
A28	1	1	1	1	493823	• Distans .....	• Spacer .....				
A29	2	2	2	2	690877	Skruv .....	Screw .....				
A30	1	1	1	1	690340	Hållare .....	Retainer .....				
A31	1	1	1	1	690272	Bricka .....	Washer .....				
A32	1	1			691308	Regulatoraxel.....	Governor crank .....				
A32			1	1	698801	Regulatoraxel.....	Governor crank .....				
A33	1	1	1	1	691292	Regulatorfjäder.....	Governor spring .....				
A34	1	1	1	1	691829	Regulatorlänk .....	Governor link .....				
A35	1	1	1	1	690783	Regulatorarm.....	Govern. control lever.....				
A36				1	691119	• Bult .....	• Bolt .....				
A36	1	1	1		92613	• Skruv .....	• Screw .....				
A37	1	1			231082	• Mutter .....	• Nut .....				
A37			1	1	691251	• Mutter .....	• Nut .....				
A38	2	2	2	2	691648	Skruv .....	Screw .....				
A39	1	1	1	1	691994	Broms.....	Brake.....				
A40	1	1	1	1	691831	• Bromsfjäder.....	• Brake spring.....				
A41		1		1	499421	Brytare.....	Switch .....				
A42		1		1	691627	• Skruv .....	• Screw .....				
A53	1	1	1		694086	Svånghjulsskydd .....	Flywheel guard .....				
A54	1	1	1		691108	Skruv .....	Screw .....				

X

2 st/includes 2

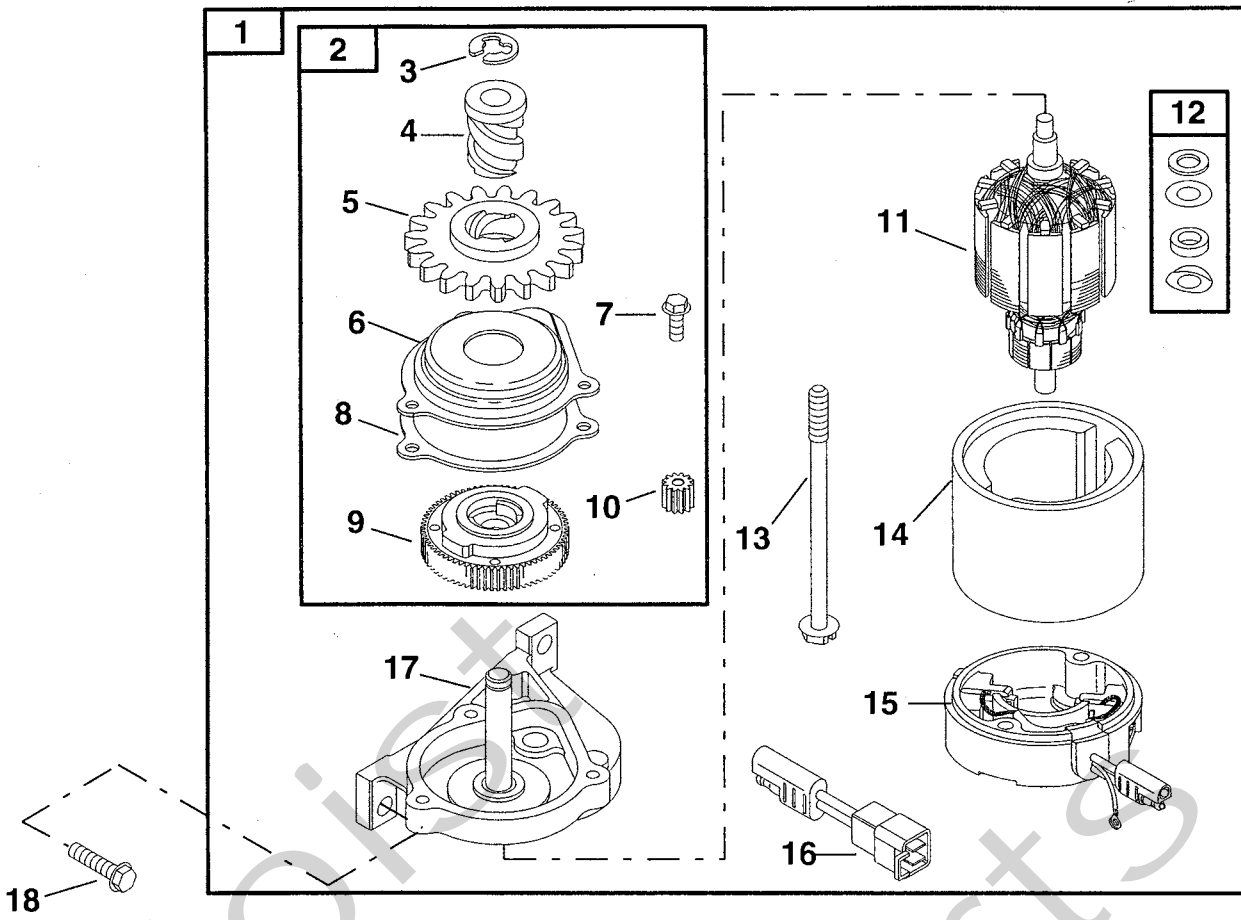
A



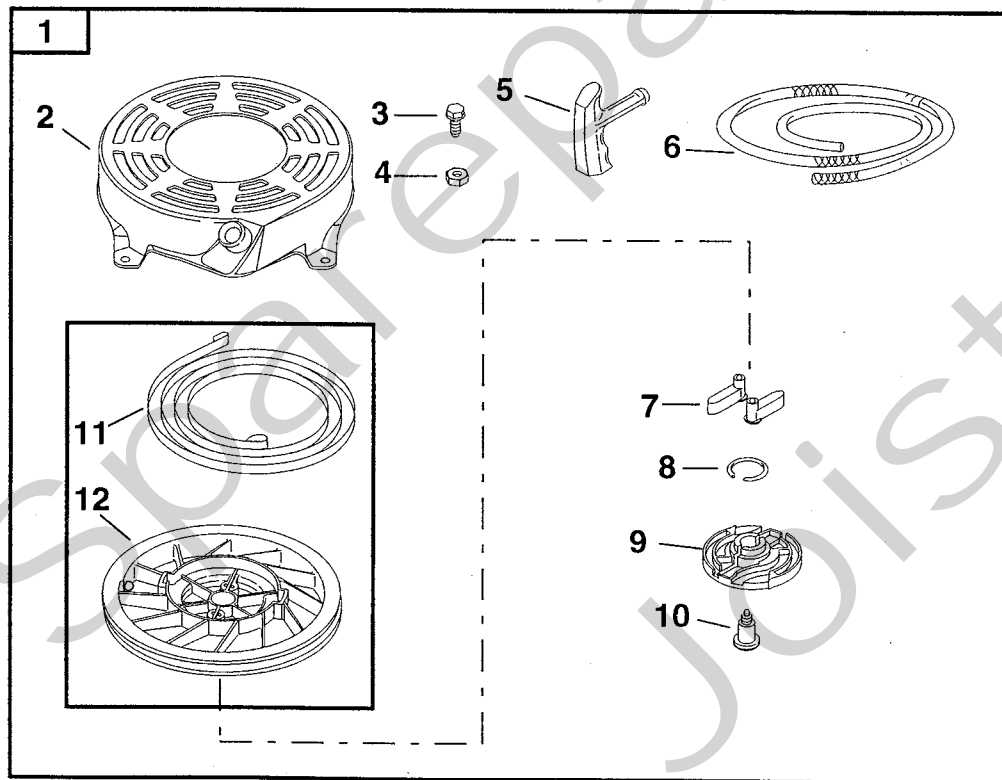
Utgåva Issue		Bildnr Picture No				BRIGGS & STRATTON 12H802, 12H807 LUFTFILTER FÖRGASARE		BRIGGS & STRATTON 12H802, 12H807 AIR CLEANER CARBURETTOR		Sida Page
2004-12		1276A								396
Pos. Fig.	Antal/Quantity				Art nr Part No	Benämning	Description	Sats Kit	Anmärkning Notes	
	12H 802- 1935	12H 807- 1936	12H 802- 1966	12H 807- 1992						
A01	1	1	1	1	690670	Skruv .....	Screw .....			
A02	1	1	1	1	691044	Skruv .....	Screw .....			
A03	1	1	1	1	690798	Wireklämma .....	Casing clamp .....			
A04	1	1	1	1	692298	Luftrenarlock .....	Air cleaner cover .....			
A05	1	1	1	1	496116	Luftrenarfäste .....	Air cleaner base .....			
A06	1	1	1	1	491588	Pappersfilter .....	Air filter .....			
A07	2	2	2	2	692523	Skruv .....	Screw .....			
A08	1	1	1	1	691923	• Hylsa .....	• Grommet .....			
A09	1	1	1	1	272653	• Packning .....	• Gasket .....			
A10	1	1	1	1	694395	• Primer .....	• Primer .....			
A11	1	1	1	1	272199	Packning .....	Gasket .....			
A12	1	1	1	1	497465	Insugningsrör .....	Intake pipe .....			
A13	2	2	2	2	691650	Skruv .....	Screw .....			
A14	1	1	1	1	498170	Förgasare kpl. ....	Carburettor assy .....			
A15	1	1	1	1	696565	• Spjällaxel .....	• Throttle shaft .....			
A16	1	1	1	1	691321	• Dammtätning .....	• Dust seal .....			
A17	1	1	1	1	398188	• Bränslenål .....	• Inlet valve .....			
A18	1	1	1	1	691242	• Flottöraxel .....	• Float hinge pin .....			
A19	1	1	1	1	398187	• Flottör .....	• Float .....			
A20	2	2	2	2	692524	Skruv .....	Screw .....			
A21	1	1	1	1	694468	• Expansionsbricka .....	• Welch plug .....			
A22	1	1	1	1	696564	• Gasspjäll .....	• Throttle valve .....			
A23	1	1	1	1	691636	• Skruv .....	• Screw .....			
A24	1	1	1	1	270344	• Tätning .....	• Seal .....			
A25	1	1	1	1	493640	• Flottörhus .....	• Bowl .....			
A26	1	1	1	1	693981	• Packning .....	• Gasket .....			
A27	1	1	1	1	271716	• Tätningsbricka .....	• Sealing washer .....			
A28	1	1	1	1	498978	• Huvudmunstycke .....	• Main jet .....			
A29					494870	Huvudmunstycke .....	Main jet .....			
A29	1	1	1	1	497466	Huvudmunstycke .....	Main jet .....			
A30	1	1	1	1	691753	• Fäste .....	• Bracket .....			
A31	1	1	1	1	691669	• Skruv .....	• Screw .....			

Standard  
High altitude  
High altitude

A



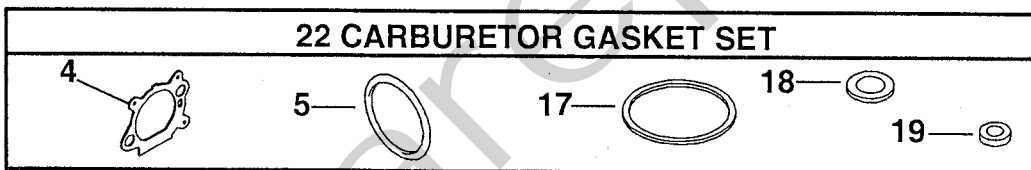
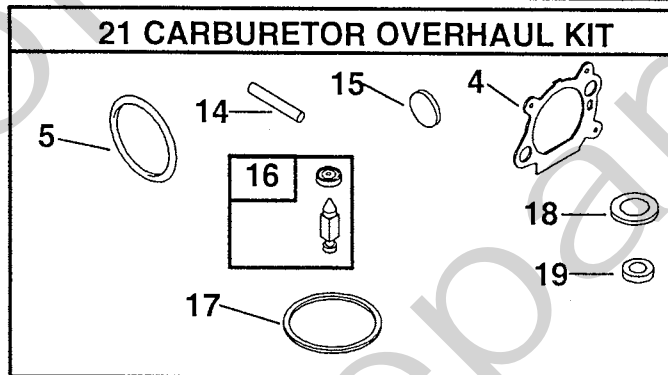
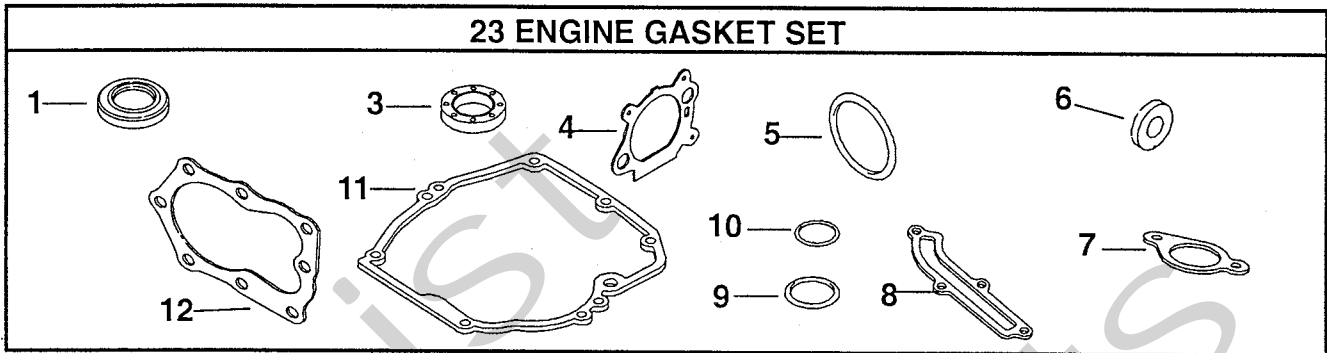
B



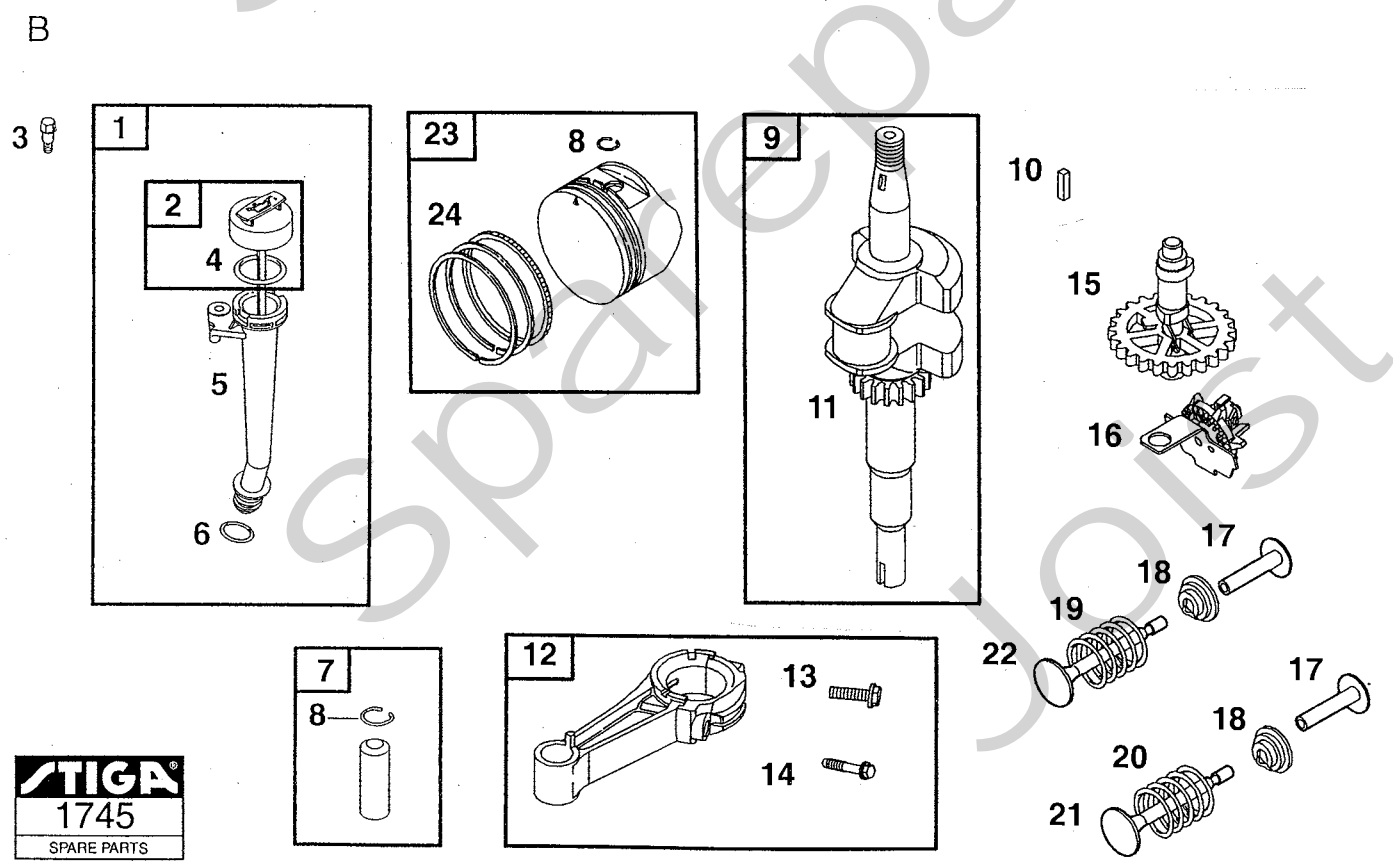
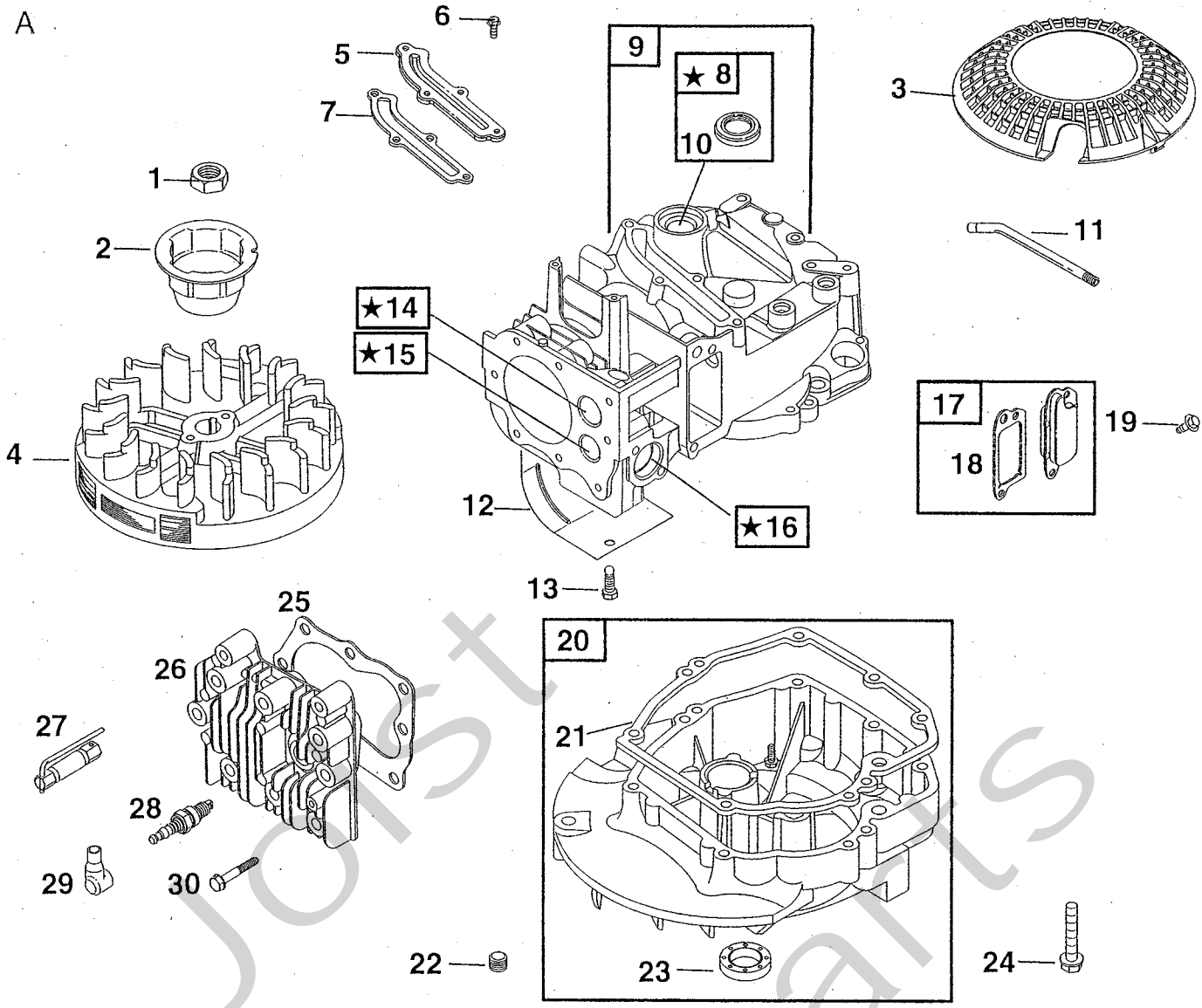
Utgåva Issue		Bildnr Picture No				BRIGGS & STRATTON 12H802, 12H807 STARTMOTOR SNÖRSTART		BRIGGS & STRATTON 12H802, 12H807 STARTER MOTOR REWIND STARTER		Sida Page
Pos. Fig.	Antal/Quantity				Art nr Part No	Benämning	Description	Sats Kit	Anmärkning Notes	
	12H 802- 1935	12H 807- 1936	12H 802- 1966	12H 807- 1992						
A01		1		1	695550	Startmotor kpl .....	Starter motor assy .....			
A02		1		1	494147	• Drev kpl .....	• Drive kit .....			
A03		1		1	93941	•• Låsring .....	•• Retainer .....			
A04		1		1	691325	•• Snäckdrev .....	•• Starter spline .....			
A05		1		1	691918	•• Drev .....	•• Pinion gear .....			
A06		1		1	692341	•• Lock .....	•• Cover .....			
A07		3		3	690345	•• Skruv .....	•• Screw .....			
A08		1		1	692352	•• Packning .....	•• Gasket .....			
A09		1		1	692358	•• Koppling .....	•• Drive clutch .....			
A10		1		1	691269	•• Drev .....	•• Pinion gear .....			
A11		1		1	690786	• Rotor .....	• Starter armature .....			
A12		1		1	492919	• Brickor .....	• Washer set .....			
A13		2		2	692327	• Bult .....	• Bolt .....			
A14		1		1	695266	• Starthus .....	• Starter housing .....			
A15		1		1	695267	• Bottenkåpa .....	• End cap .....			
A16		1		1	695268	• Kabeladapter .....	• Wire adapter .....			
A17		1		1	690782	• Lock .....	• Drive cap .....			
A18		2		2	691127	Skruv .....	Screw .....			
B01	1	1	1	1	497680	Start kpl .....	Starter assy .....			
B02	1	1	1	1	691421	• Starthus .....	• Starter housing .....			
B03	4	4	4	4	690837	• Skruv .....	• Screw .....			
B04	4	4	4	4	690800	• Mutter .....	• Nut .....			
B05	1	1	1	1	281434	• Starthandtag .....	• Handle .....			
B06	1	1	1	1	692259	• Startsnöre .....	• Starter rope .....			
B06				1	697316	• Startsnöre .....	• Starter rope .....			
B07	2	2	2	2	281505	• Startklo .....	• Starter pawl .....			
B08	1	1	1	1	691855	• Friktionsfjäder .....	• Friction spring .....			
B09	1	1	1	1	692299	• Spärrplatta .....	• Pawl friction plate .....			
B10	1	1	1	1	691696	• Skruv .....	• Screw .....			
B11	1	1	1	1	498144	• Linhjul m. fjäder .....	• Pulley/spring .....			
B12	1	1	1	1	498144	• Linhjul m. fjäder .....	• Pulley/spring .....			

X



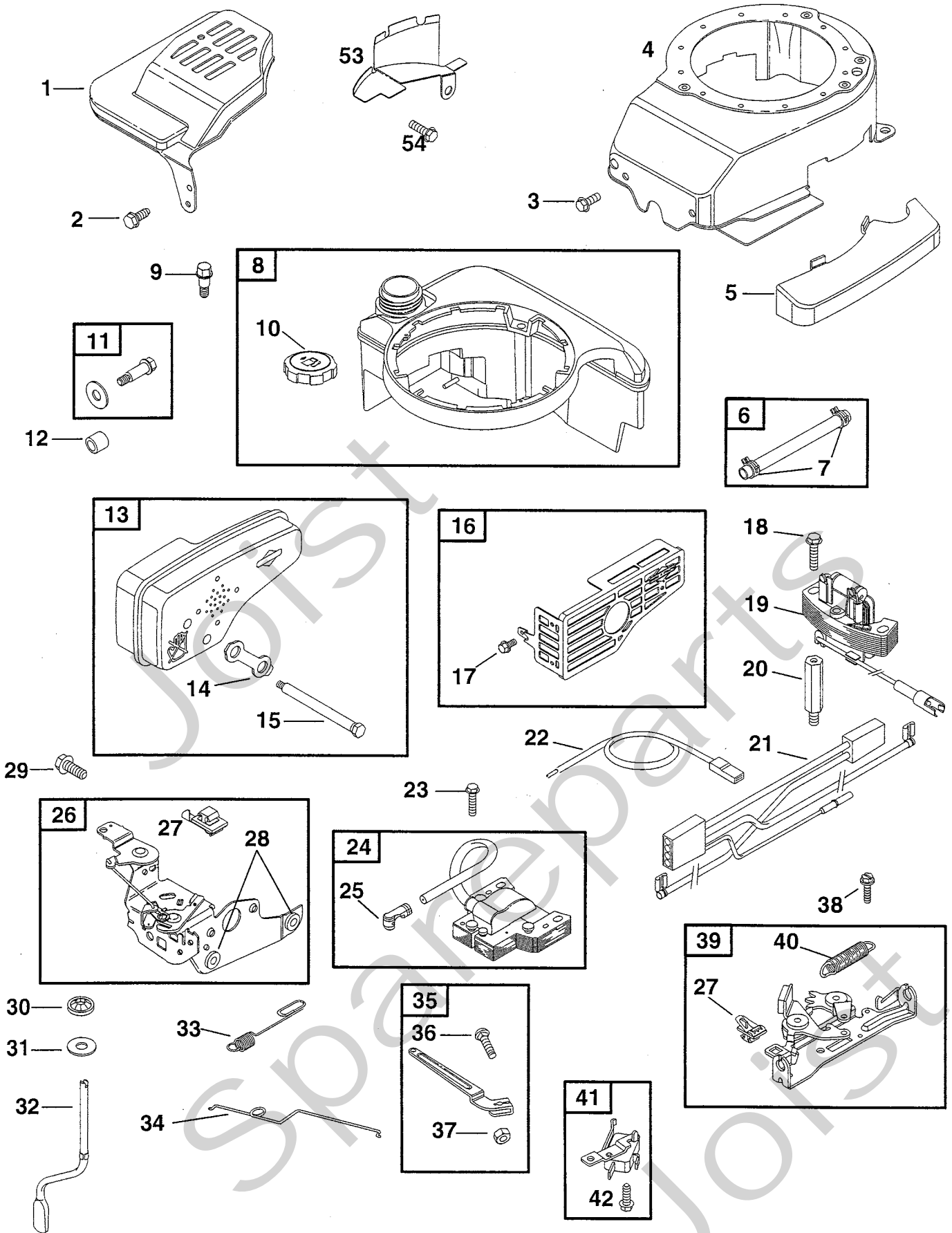


Utgåva Issue 2004-12		Bildnr Picture No 1278A		BRIGGS & STRATTON 12H802, 12H807 PACKNINGSSATS		BRIGGS & STRATTON 12H802, 12H807 GASKET SET		Sida Page 400	
Pos. Fig.	Antal/Quantity				Art nr Part No	Benämning	Description	Sats Kit	Anmärkning Notes
	12H 802- 1935	12H 807- 1936	12H 802- 1966	12H 807- 1992					
A01	1	1	1	1	299819	• Tätningsring .....	• Oil seal .....		
A03	1	1	1	1	399781	• Tätningsring .....	• Oil seal .....		
A04	1	1	1	1	272653	• Packning.....	• Gasket .....		
A05	1	1	1	1	270344	• Tätning .....	• Seal .....		
A06	1	1	1	1	493823	• Distans .....	• Spacer .....		
A07	1	1	1	1	272199	• Packning.....	• Gasket .....		
A08	1	1	1	1	691879	• Packning.....	• Gasket .....		
A09	1	1	1	1	691031	• O- ring.....	• O- ring .....		
A10	1	1	1	1	692296	• Tätningsring .....	• Tube seal .....		
A11	1	1	1	1	692232	• Packning.....	• Gasket .....		
A12	1	1	1	1	692249	• Packning.....	• Gasket .....		
A14	1	1	1	1	691242	• Flottöraxel.....	• Float hinge pin.....		
A15	1	1	1	1	694468	• Expansionsbricka.....	• Welch plug .....		
A16	1	1	1	1	398188	• Bränslenål.....	• Inlet valve .....		
A17	1	1	1	1	693981	• Packning.....	• Gasket .....		
A18	1	1	1	1	271716	• Tätningsbricka.....	• Sealing washer.....		
A19	1	1	1	1	691321	• Dammtätning .....	• Dust seal .....		
A21	1	1	1	1	498260	Rep.sats förgasare.....	Carb. overhaul kit.....		
A22	1	1	1	1	498261	Packn.sats- förg.....	Gasket set- carb. ....		
A23	1	1	1	1	497316	Packn.sats- motor.....	Gasket set- engine.....		



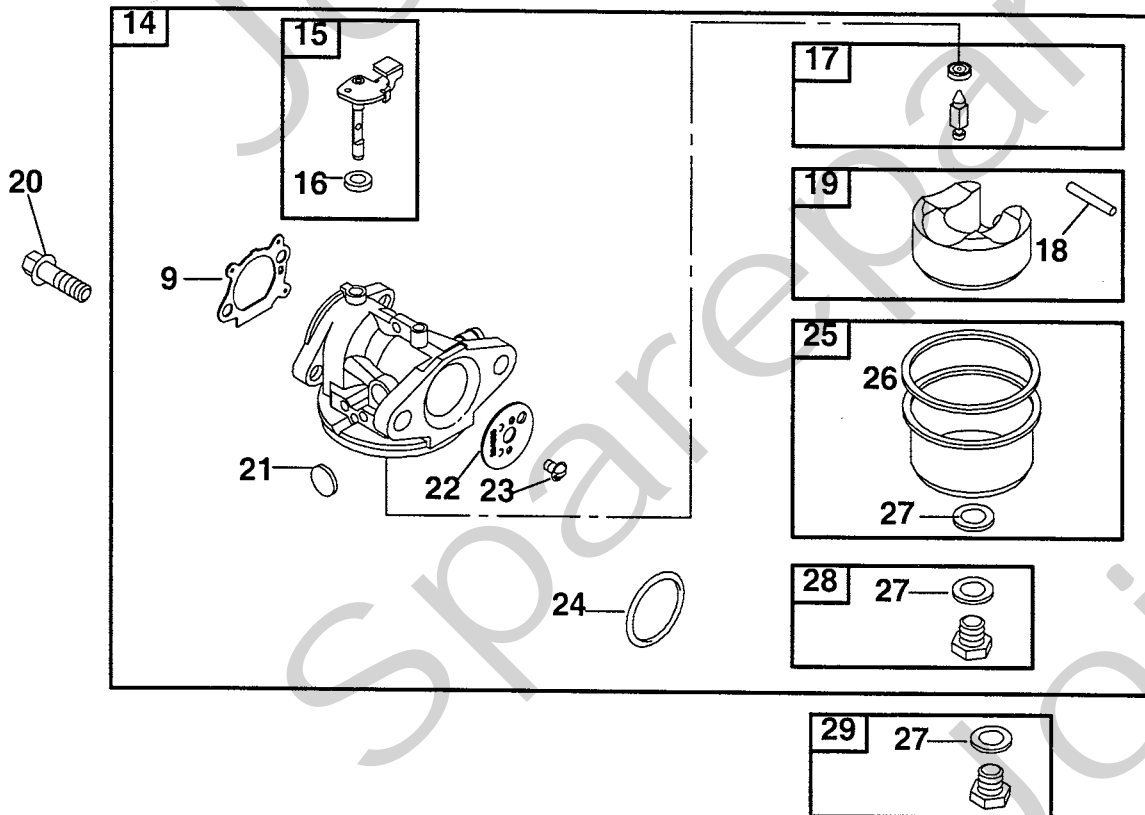
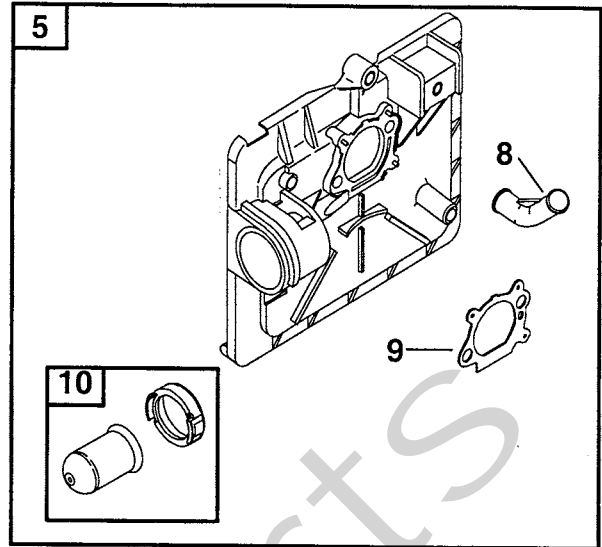
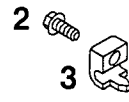
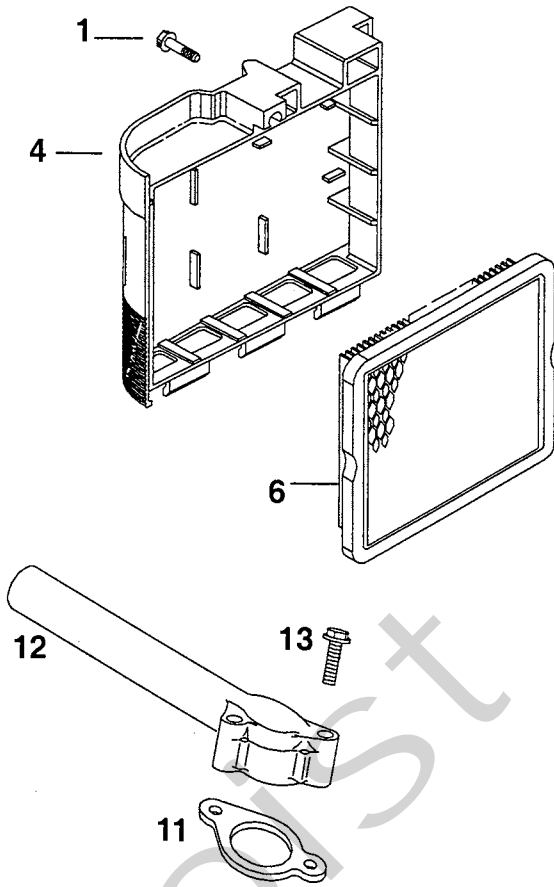
Utgåva Issue 2004-12		Bildnr Picture No 1745		BRIGGS & STRATTON 12H802, 12H807 CYLINDER VEVAXEL		BRIGGS & STRATTON 12H802, 12H807 CYLINDER CRANKSHAFT		Sida Page 402
Pos. Fig.	Antal/Quantity			Art nr Part No	Benämning	Description	Sats Kit	Anmärkning Notes
	12H 802- 2004	12H 807- 2003						
X	A01	1	1	690662	Mutter.....	Flywheel nut.....		
	A02	1	1	695161	Svånghjulskopp.....	Flywheel cup.....		
	A03	1	1	691919	Skydd.....	Rewind guard.....		
	A04	1	1	691987	Svånghjul.....	Flywheel.....		
	A04	1	1	692315	Svånghjul.....	Flywheel.....		
	A05	1	1	697734	Lock.....	Cover.....		
	A06	4	4	690345	Skruv.....	Screw.....		
	A07	1	1	691879	Packning.....	Gasket.....		
	A08	1	1	399269	• Bussning.....	• Bushing.....		
	A09	1	1	697322	Cylinder kpl.....	Cylinder assy.....		
	A10	1	1	299819	Tätningring.....	Oil seal.....		
	A11	1	1	499675	Ventilationsrör.....	Breather tube.....		
	A11	1	1	691781	Ventilationsrör.....	Breather tube.....		
	A12	1	1	690450	Cylinderskydd.....	Cylinder shield.....		
	A13	1	1	690345	Skruv.....	Screw.....		
	A14	1	1	691155	• Ventilåsa- insug.....	• Valve seat- intake.....		
	A15	1	1	690380	• Ventilåsa- utblås.....	• Valve seat- exhaust.....		
	A16	1	1	262001	• Ventilstyrning- utblås.....	• Valve guide- exhaust.....		
	A16	1	1	63709	• Ventilstyrning- insug.....	• Guide- intake valve.....		
	A17	1	1	695250	Vevhusventilation.....	Breather.....		
X	A18	1	1	699472	• Packning.....	• Gasket.....		
	A19	2	2	691125	Skruv.....	Screw.....		
	A20	1	1	493279	Vevhus.....	Engine sump.....		
	A21	1	1	692232	• Packning.....	• Gasket.....		
	A22	1	1	691680	Oljeavtappningsplugg.....	Oil drain plug.....		
	A23	1	1	399781	• Tätningring.....	• Oil seal.....		
	A24	7	7	691092	Skruv.....	Screw.....		
	A25	1	1	692249	Packning.....	Gasket.....		
	A26	1	1	691160	Topplöck.....	Cylinder head.....		
	A27	1	1	1111-9029-01	Tändstiftsnyckel.....	Spark plug wrench.....		
	A28	1	1	9400-0225-00	Tändstift.....	Spark plug.....		Champion J19LM
	A29	1	1	66538	Tändstiftsskydd.....	Spark plug elbow.....		
	A30	8	8	690912	Skruv.....	Screw.....		
	B01	1	1	692017	Oljesticka kpl.....	Oil dipstick assy.....		
	B02	1	1	495264	• Oljesticka.....	• Oil dipstick.....		
	B03	1	1	690940	Skruv.....	Screw.....		
	B04	1	1	691031	• O-ring.....	• O-ring.....		
	B05	1	1	495265	• Oljepåfyllningsrör.....	• Oil filler tube.....		
	B06	1	1	692296	• Tätningring.....	• Tube seal.....		
	B07	1	1	499423	Kolvbult.....	Piston pin.....		
	B08	2	2	691866	• Låsring.....	• Lock ring.....		
X	B09	1	1	691451	Vevaxel.....	Crankshaft.....		
	B10	1	1	222698	Kil.....	Key.....		
X	B11	1	1	790345	• Drev.....	• Timing gear.....		
	B12	1	1	499424	Vevstake.....	Connecting rod.....		
	B13	1	1	691664	• Skruv.....	• Screw.....		
	B14	1	1	695759	• Skruv.....	• Screw.....		
	B15	1	1	691449	Kamaxel.....	Camshaft.....		
	B16	1	1	691997	Oljeslångare.....	Oil slinger.....		
	B17	2	2	690548	Ventilyftare.....	Valve tappet.....		
	B18	2	2	692194	Ventilhållare.....	Valve retainer.....		
	B19	1	1	691270	Ventilfjäder.....	Valve spring.....		
	B20	1	1	691270	Ventilfjäder.....	Valve spring.....		
	B21	1	1	262651	Utblåsningsventil.....	Exhaust valve.....		
	B22	1	1	262652	Insugningsventil.....	Intake valve.....		
X	B23	1	1	790359	Kolv.....	Piston.....		Standard
X	B24	1	1	790360	• Kolvringssats.....	• Ring set.....		Standard

A



Utgåva Issue		Bildnr Picture No		BRIGGS & STRATTON 12H802, 12H807 BRÄNSLETANK REGULATOR		BRIGGS & STRATTON 12H802, 12H807 FUEL TANK GOVERNOR		Sida Page
2004- 12		1275						404
Pos. Fig.	Antal/Quantity			Art nr Part No	Benämning	Description	Sats Kit	Anmärkning Notes
	12H 802- 2004	12H 807- 2003						
	A01	1	1	691757	Lock.....	Control cover .....		
	A02		1	690345	Skruv .....	Screw .....		
	A02	1		690664	Skruv .....	Screw .....		
	A03	4	4	691108	Skruv .....	Screw .....		
	A04	1	1	493293	Fläkthus .....	Blower housing .....		
	A05	1	1	690595	Lock.....	Brake cover .....		
	A06	1		691050	Bränsleslang .....	Fuel line .....		
	A06		1	691371	Bränsleslang .....	Fuel line .....		
	A07	2	2	95162	Slangklämma .....	Hose clamp .....		
X	A08	1	1	699374	Bränsletank .....	Fuel tank .....		
	A09	2	2	690940	Skruv .....	Screw .....		
	A10	1	1	397974	• Tanklock .....	• Fuel cap .....		
	A11	1	1	692311	Skruv/bricka .....	Screw/washer .....		
	A12	1	1	692294	Distans .....	Spacer .....		
	A13	1	1	692038	Ljuddämpare .....	Muffler .....		
	A14	1	1	691740	• Låsbleck .....	• Screw lock .....		
	A15	2	2	691340	• Skruv .....	• Screw .....		
X	A16	1	1	497683	Skydd .....	Guard .....		
	A17	2	2	690664	• Skruv .....	• Screw .....		
	A18		2	692979	Skruv .....	Screw .....		
	A19		1	691991	Generator .....	Alternator .....		
	A20		2	691094	Pinnbult .....	Stud .....		
	A21		1	696547	Kablage .....	Wiring harness .....		
	A22	1	1	692390	Stoppkabel .....	Stop wire .....		
	A23	2	2	691061	Skruv .....	Screw .....		
	A24	1	1	802574	Tändsystem .....	Magneto armature .....		
	A25	1	1	493880	• Anslutningshylsa .....	• Terminal .....		
X	A26	1	1	790143	Reglageplåt .....	Control bracket .....		
	A27	2	2	692310	• Stoppkontakt .....	• Stop switch .....		
	A28	1	1	493823	• Distans .....	• Spacer .....		2 st/includes 2
X	A29	2	2	693399	Skruv .....	Screw .....		
	A30	1	1	690340	Hållare .....	Retainer .....		
	A31	1	1	690272	Bricka .....	Washer .....		
	A32	1	1	698801	Regulatoraxel .....	Governor crank .....		
	A33	1	1	691292	Regulatorfjäder .....	Governor spring .....		
	A34	1	1	691829	Regulatorlänk .....	Governor link .....		
	A35	1	1	690783	Regulatorarm .....	Govern. control lever .....		
	A36	1	1	691119	• Bult .....	• Bolt .....		
	A37	1	1	691251	• Mutter .....	• Nut .....		
	A38	2	2	691648	Skruv .....	Screw .....		
	A39	1	1	691994	Broms .....	Brake .....		
	A40	1	1	691831	• Bromsfjäder .....	• Brake spring .....		
	A41		1	499421	Brytare .....	Switch .....		
	A42		1	691627	• Skruv .....	• Screw .....		
	A53	1		694086	Svånghjulsskydd .....	Flywheel guard .....		
	A54	1		691108	Skruv .....	Screw .....		

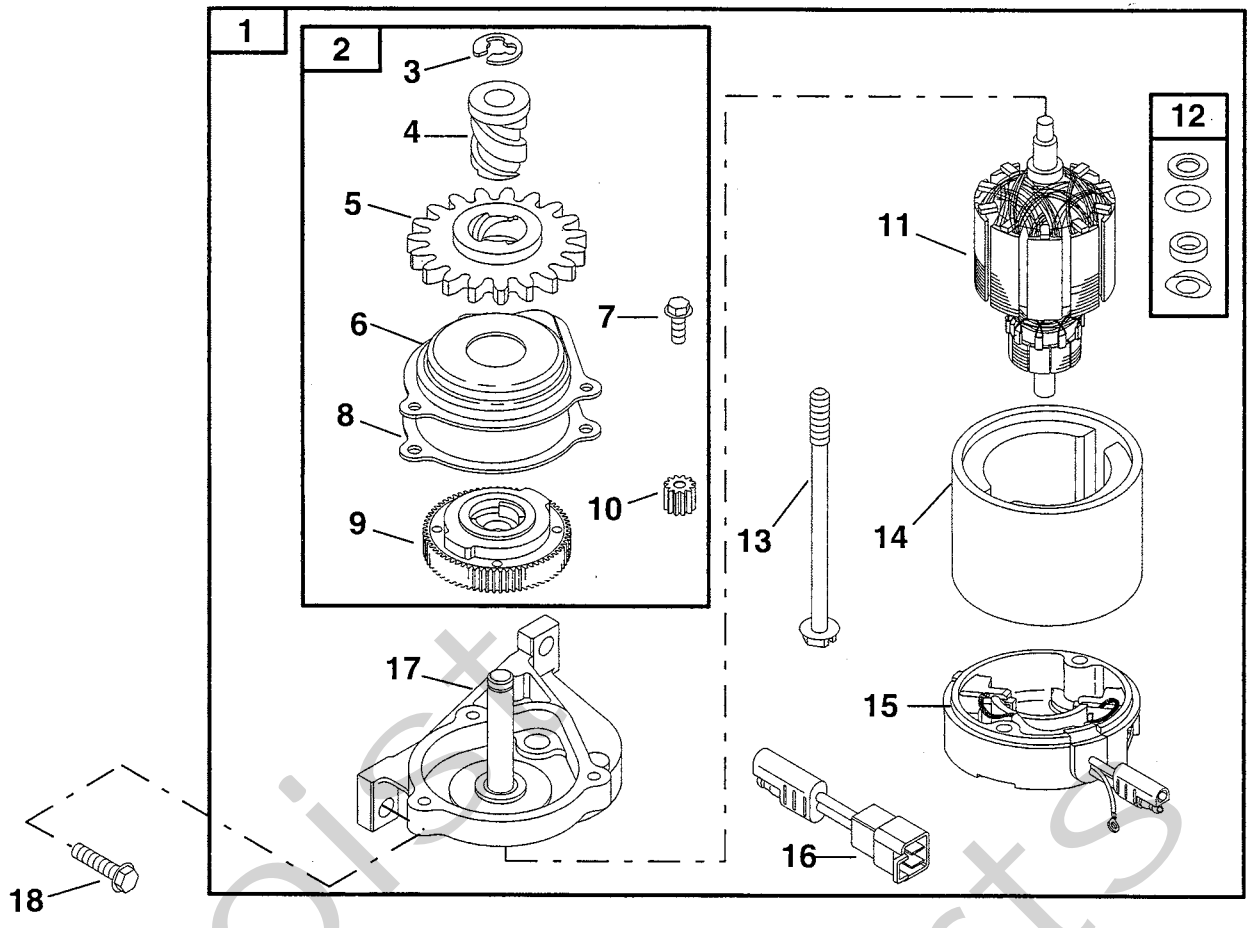
A



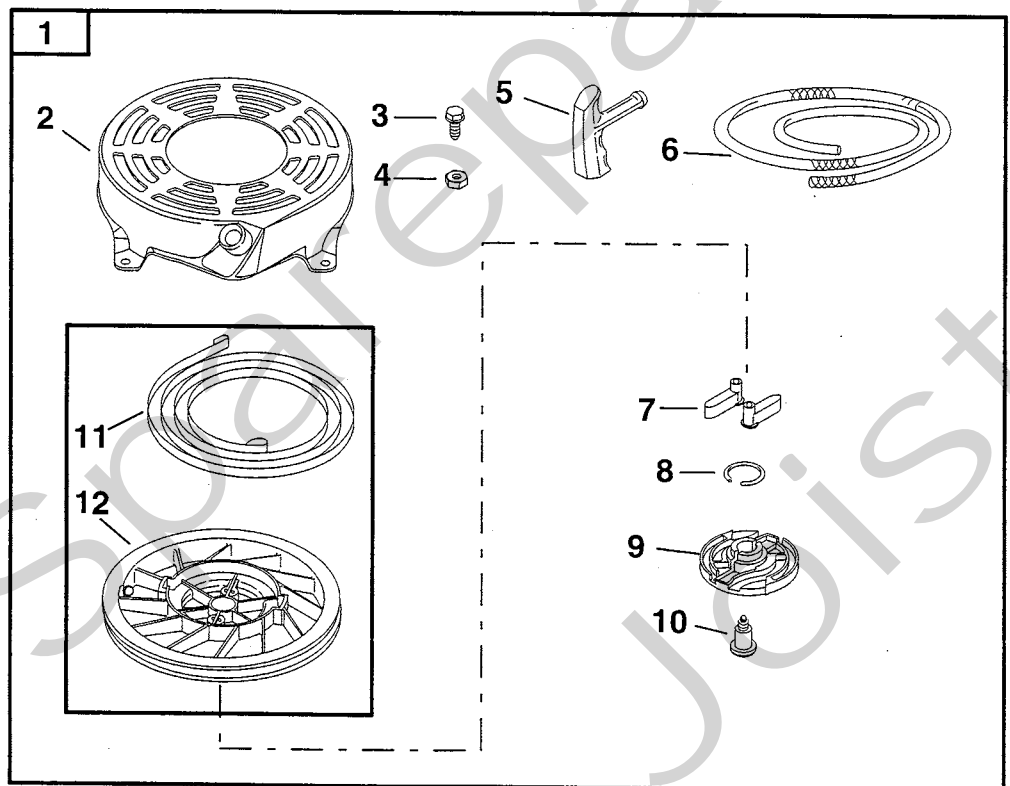
Utgåva Issue 2004-12		Bildnr Picture No 1276B		BRIGGS & STRATTON 12H802, 12H807 LUFTFILTER FÖRGASARE		BRIGGS & STRATTON 12H802, 12H807 AIR CLEANER CARBURETTOR		Sida Page 406	
Pos. Fig.	Antal/Quantity			Art nr Part No	Benämning	Description	Sats Kit	Anmärkning Notes	
	12H 802- 2004	12H 807- 2003							
A01	1	1		690670	Skruv .....	Screw .....			
A02	1	1		691044	Skruv .....	Screw .....			
A03	1	1		690798	Wireklämna .....	Casing clamp .....			
A04	1	1		692298	Luftrenarlock .....	Air cleaner cover .....			
A05	1	1		496116	Luftrenarfäste .....	Air cleaner base .....			
A06	1	1		491588	Pappersfilter .....	Air filter .....			
A07	2	2		692523	Skruv .....	Screw .....			
A08	1	1		691923	• Hylsa .....	• Grommet .....			
A09	1	1		272653	• Packning .....	• Gasket .....			
A10	1	1		694395	• Primer .....	• Primer .....			
A11	1	1		272199	Packning .....	Gasket .....			
A12	1	1		497465	Insugningsrör .....	Intake pipe .....			
A13	2	2		691650	Skruv .....	Screw .....			
A14	1	1		498170	Förgasare kpl .....	Carburettor assy .....			
A15	1	1		696565	• Spjällaxel .....	• Throttle shaft .....			
A16	1	1		691321	•• Dammtätning .....	•• Dust seal .....			
A17	1	1		398188	• Bränslenål .....	• Inlet valve .....			
A18	1	1		691242	•• Flottöraxel .....	•• Float hinge pin .....			
A19	1	1		398187	• Flottör .....	• Float .....			
A20	2	2		692524	Skruv .....	Screw .....			
A21	1	1		694468	• Expansionsbricka .....	• Welch plug .....			
A22	1	1		696564	• Gasspjäll .....	• Throttle valve .....			
A23	1	1		691636	• Skruv .....	• Screw .....			
A24	1	1		270344	• Tätning .....	• Seal .....			
A25	1	1		493640	• Flottörhus .....	• Bowl .....			
A26	1	1		693981	•• Packning .....	•• Gasket .....			
A27	1	1		271716	•• Tätningsbricka .....	•• Sealing washer .....			
A28	1	1		498978	• Huvudmunstycke .....	• Main jet .....		Standard	
A29	1	1		494870	Huvudmunstycke .....	Main jet .....		High altitude	



A



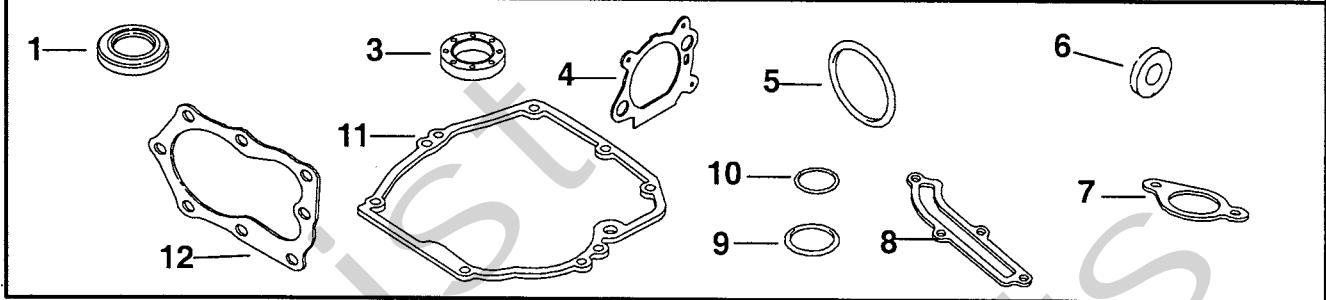
B



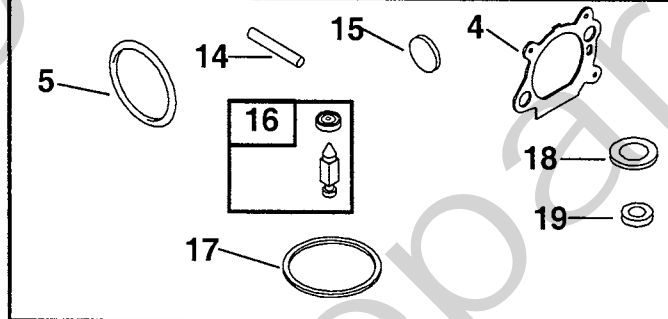
Utgåva Issue		Bildnr Picture No		BRIGGS & STRATTON 12H802, 12H807 STARTMOTOR SNÖRSTART		BRIGGS & STRATTON 12H802, 12H807 STARTER MOTOR REWIND STARTER		Sida Page
Pos. Fig.	Antal/Quantity			Art nr Part No	Benämning	Description	Sats Kit	Anmärkning Notes
	12H 802- 2004	12H 807- 2003						
A01		1		695550	Startmotor kpl .....	Starter motor assy .....		
A02		1		494147	• Drev kpl .....	• Drive kit .....		
A03		1		93941	• • Låsring .....	• • Retainer .....		
A04		1		691325	• • Snäckdrev .....	• • Starter spline .....		
A05		1		691918	• • Drev .....	• • Pinion gear .....		
A06		1		692341	• • Lock .....	• • Cover .....		
A07		3		690345	• • Skruv .....	• • Screw .....		
A08		1		692352	• • Packning .....	• • Gasket .....		
A09		1		692358	• • Koppling .....	• • Drive clutch .....		
A10		1		691269	• • Drev .....	• • Pinion gear .....		
A11		1		690786	• Rotor .....	• Starter armature .....		
A12		1		492919	• Brickor .....	• Washer set .....		
A13		2		692327	• Bult .....	• Bolt .....		
A14		1		695266	• Starthus .....	• Starter housing .....		
A15		1		695267	• Bottenkåpa .....	• End cap .....		
A16		1		695268	• Kabeladapter .....	• Wire adapter .....		
A17		1		690782	• Lock .....	• Drive cap .....		
A18		2		691127	Skruv .....	Screw .....		
B01	1	1		497680	Start kpl .....	Starter assy .....		
B02	1	1		691421	• Starthus .....	• Starter housing .....		
B03	4	4		690837	• Skruv .....	• Screw .....		
B04	4	4		690800	• Mutter .....	• Nut .....		
B05	1	1		281434	• Starthandtag .....	• Handle .....		
B06	1	1		697316	• Startsnöre .....	• Starter rope .....		
B07	2	2		281505	• Startklo .....	• Starter pawl .....		
B08	1	1		691855	• Friktionsfjäder .....	• Friction spring .....		
B09	1	1		692299	• Spärrplatta .....	• Pawl friction plate .....		
B10	1	1		691696	• Skruv .....	• Screw .....		
B11	1	1		498144	• Linhjul m.fjäder .....	• Pulley/spring .....		
B12	1	1		498144	• Linhjul m.fjäder .....	• Pulley/spring .....		

X

**23 ENGINE GASKET SET**



**21 CARBURETOR OVERHAUL KIT**



**22 CARBURETOR GASKET SET**



Utgåva Issue		Bildnr Picture No		BRIGGS & STRATTON 12H802, 12H807 PACKNINGSSATS		BRIGGS & STRATTON 12H802, 12H807 GASKET SET		Sida Page	
2004- 12		1278A						410	
Pos. Fig.	Antal/Quantity			Art nr Part No	Benämning	Description	Sats Kit	Anmärkning Notes	
	12H 802- 2004	12H 807- 2003							
A01	1	1		299819	• Tätningssring .....	• Oil seal .....			
A03	1	1		399781	• Tätningssring .....	• Oil seal .....			
A04	1	1		272653	• Packning .....	• Gasket .....			
A05	1	1		270344	• Tätning .....	• Seal .....			
A06	1	1		493823	• Distans .....	• Spacer .....			
A07	1	1		272199	• Packning .....	• Gasket .....			
A08	1	1		691879	• Packning .....	• Gasket .....			
A09	1	1		691031	• O-ring .....	• O-ring .....			
A10	1	1		692296	• Tätningssring .....	• Tube seal .....			
A11	1	1		692232	• Packning .....	• Gasket .....			
A12	1	1		692249	• Packning .....	• Gasket .....			
A14	1	1		691242	• Flottöraxel .....	• Float hinge pin .....			
A15	1	1		694468	• Expansionsbricka .....	• Welch plug .....			
A16	1	1		398188	• Bränslenål .....	• Inlet valve .....			
A17	1	1		693981	• Packning .....	• Gasket .....			
A18	1	1		271716	• Tätningssbricka .....	• Sealing washer .....			
A19	1	1		691321	• Dammtätning .....	• Dust seal .....			
A21	1	1		498260	Rep.sats förgasare .....	Carb. overhaul kit .....			
A22	1	1		498261	Packn.sats- förg. ....	Gasket set- carb. ....			
A23	1	1		497316	Packn.sats- motor .....	Gasket set- engine .....			