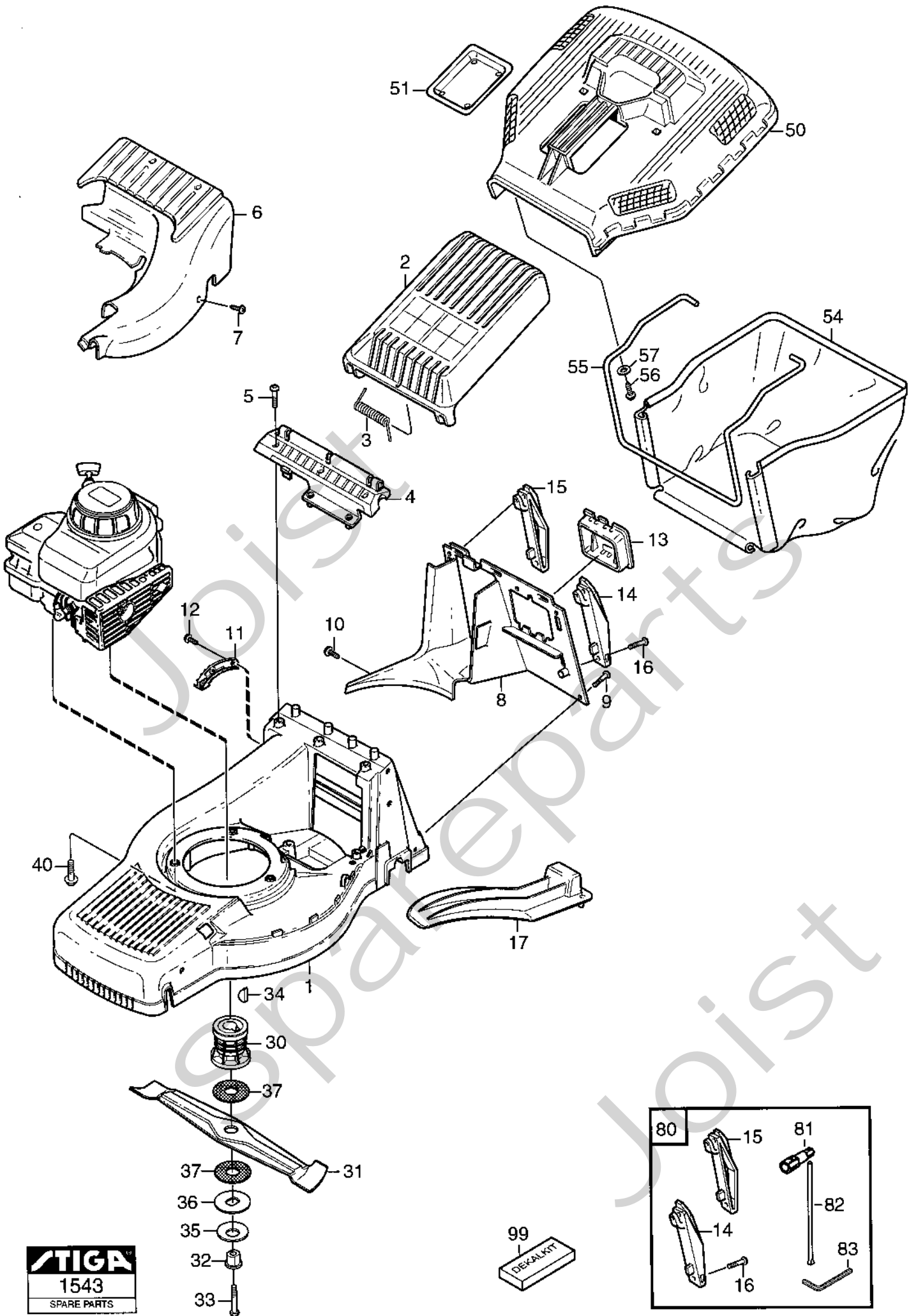


# Genuine Spare Parts

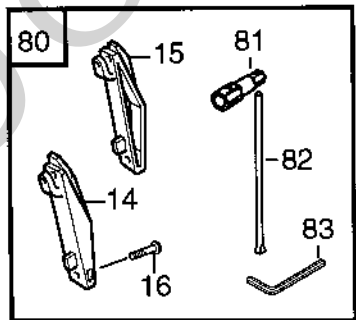
---



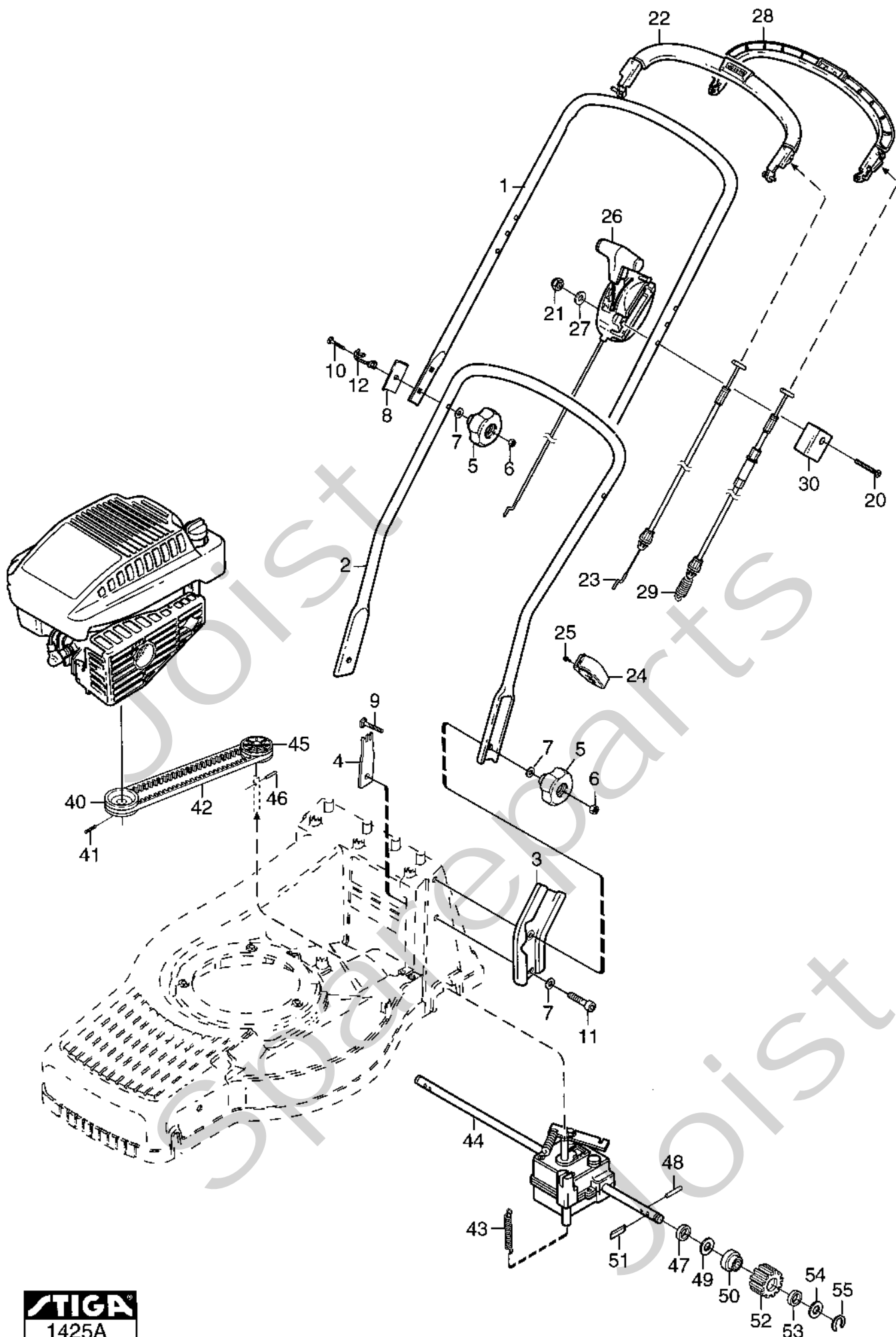
Joist  
Spareparts  
Joist



**TIGA**  
1543  
SPARE PARTS

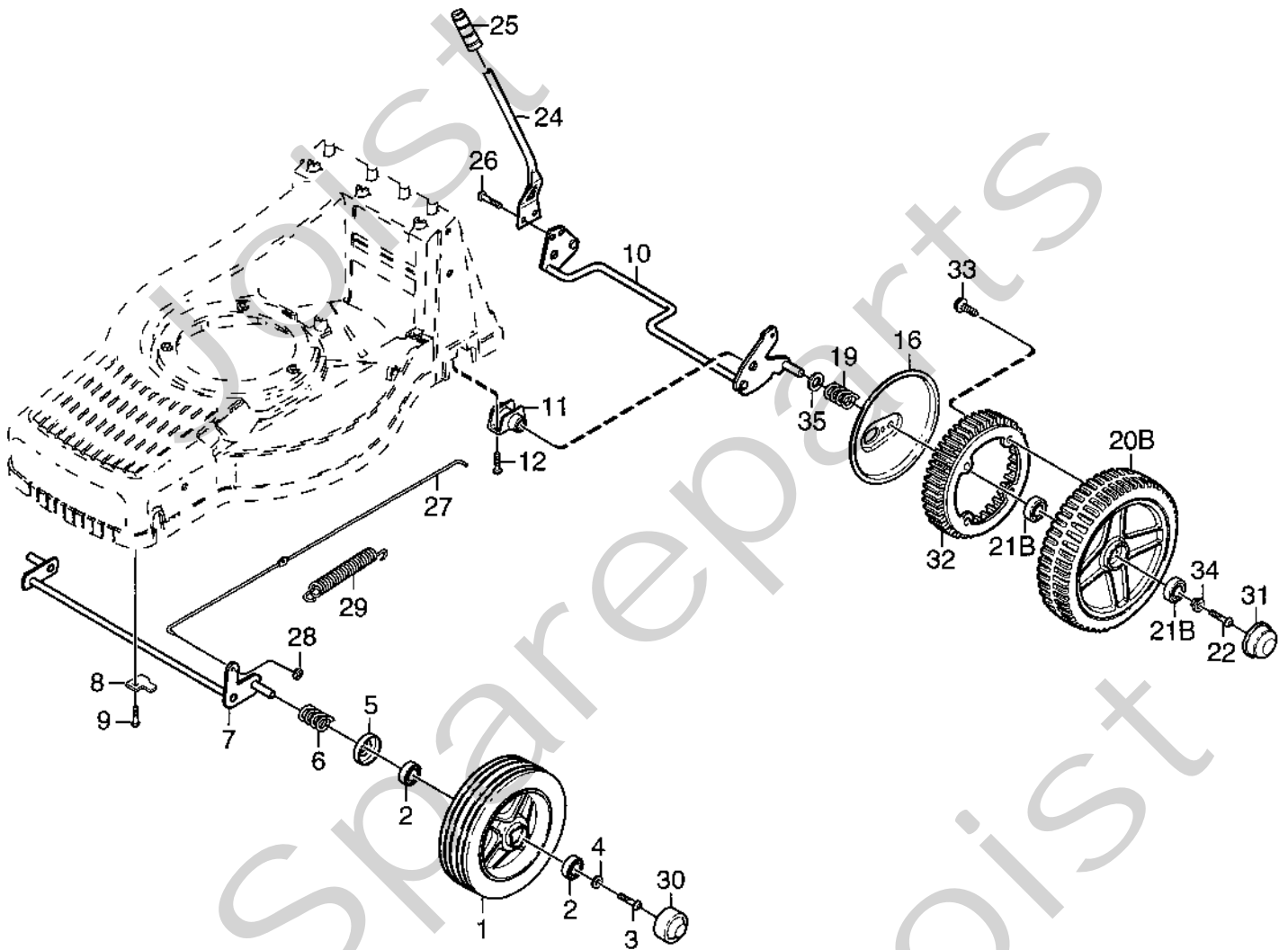
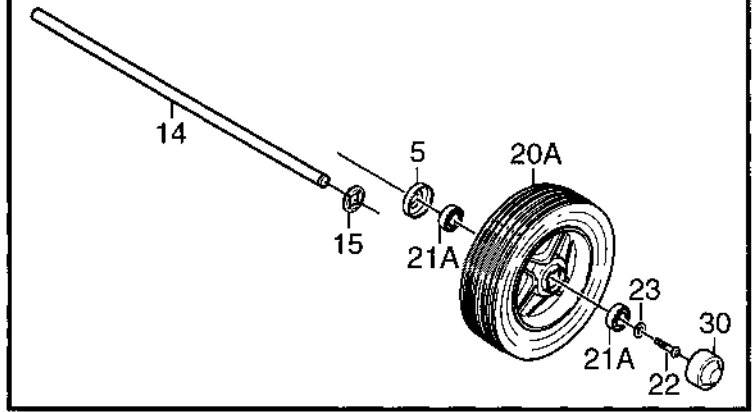


Utgåva Issue		Bildnr Picture No		TURBO PRO 48S HERKULES MB482 CHASSI UPPSAMLARE		TURBO PRO 48S HERKULES MB482 CHASSIS GRASS COLLECTOR		Sida Page
2003-43		1543						204
Pos. Fig.	Antal/Quantity			Art nr Part No	Benämning	Description	Sats Kit	Anmärkning Notes
	5203	5704						
	1	1		1111-3090-01	Chassi- gul .....	Chassis- yellow .....		12-5203-20
	1		1	1111-3090-04	Chassi- röd .....	Chassis- red .....		
X	1	1		1111-3090-15	Chassi- hammarlack .....	Chassis- hammerite .....		12-5203-40
	2	1		1111-3283-01	Lucka- gul .....	Flap- yellow .....		
	2		1	1111-3283-02	Lucka- svart .....	Flap- black .....		
	3	1	1	1111-2792-01	Fjäder .....	Spring .....		
	4	1		1111-2793-01	Luckinfästning- gul .....	Flap attachm.- yellow .....		
	4		1	1111-2793-02	Luckinfästning- svart .....	Flap attachm.- black .....		
	5	3	3	9947-0616-16	Skruv .....	Screw .....		
	6	1		1111-2794-01	Täckkåpa- gul .....	Cover- yellow .....		
	6		1	1111-2794-04	Täckkåpa- röd .....	Cover- red .....		
	7	3	3	9838-9522-12	Skruv .....	Screw .....		
	8	1	1	1111-3335-01	Bakstam .....	Rear attachment .....		
	9	3	3	9947-0616-16	Skruv .....	Screw .....		
	10	1	1	9838-9522-12	Skruv .....	Screw .....		
	11	1	1	1111-2798-01	Höjdinst. segment .....	Height adj. quadrant .....		
	12	2	2	9838-9522-12	Skruv .....	Screw .....		
	13	1	1	1111-2927-01	Batterihållare .....	Battery holder .....		
	14	1	1	1111-3236-01	• Hållare- vä .....	• Attachment- LH .....		
	15	1	1	1111-3237-01	• Hållare- hö .....	• Attachment- RH .....		
	16	4	4	9836-9520-12	• Skruv .....	• Screw .....		
	17	1	1	1111-3333-01	Mulcherplugg .....	Mulch plug .....		
X	30	1	1	1111-3510-01	Knivfäste .....	Blade holder .....		
X	31	1	1	1111-2800-02	Kniv .....	Blade .....		
X	32	1	1	1111-3483-01	Bussning .....	Bushing .....		
	33	1	1	9987-5264-12	Skruv .....	Screw .....		
	34	1	1	9600-0014-00	Kil .....	Key .....		
X	35	1	1	1111-3482-01	Tallriksfjäder .....	Disc washer .....		
X	36	1	1	1111-3481-01	Bricka .....	Washer .....		
X	37	2	2	1111-3512-01	Friktionsbricka .....	Friction washer .....		
	40	3	3	9955-3732-12	Skruv .....	Screw .....		
	50	1		1111-2840-01	Uppsamlarlock- gul .....	Top collector- yellow .....		
	50		1	1111-2840-02	Uppsamlarlock- svart .....	Top collector- black .....		
	51	1	1	1111-2764-01	Täckbricka .....	Cover .....		
	54		1	1111-2844-01	Uppsamlingssäck- svart .....	Collecting bag- black .....		
X	54	1		1111-2844-04	Uppsamlingssäck- svart .....	Collecting bag- black .....		
	55	1	1	1111-2843-01	Trådbygel .....	Wire clamp .....		
	56	2	2	9838-9522-12	Skruv .....	Screw .....		
	57	2	2	9699-0100-02	Bricka .....	Washer .....		
X	80	1	1	1111-3569-01	Tillbehörspåse .....	Accessory bag .....		Inkl. pos 14-16,81-83
X	81	1	1	1111-2921-01	• Tändstiftsnyckel .....	• Spark plug wrench .....		
X	82	1	1	1111-2113-01	• Vridpinne .....	• Rod .....		
	83	1	1	9900-0060-00	• Insexnyckel .....	• Allen wrench .....		
X	99	1		1111-3588-02	Dekalsats .....	Label kit .....		STIGA



Utgåva Issue		Bildnr Picture No		TURBO 48-48S-48SE HERKULES MB482 STYRE TRANSMISSION		TURBO 48-48S-48SE HERKULES MB482 HANDLE TRANSMISSION		Sida Page	
2003-43		1425A						208	
Pos. Fig.	Antal/Quantity				Art nr Part No	Benämning	Description	Sats Kit	Anmärkning Notes
	5186 5586	5286 5298	5686	5203 5604					
1	1	1	1	1	1111-2957-01	Styre-överdel .....	Handle-upper.....		
1				1	1111-3461-01	Styre-överdel .....	Handle-upper.....		12-5203-20, -40
2	1	1	1	1	1111-3022-01	Styre-underdel .....	Handle-lower.....		
2				1	1111-3428-01	Styre-underdel .....	Handle-lower.....		12-5203-20, -40
3	2	2	2	2	1111-3021-01	Styrfästning .....	Handlebar attachment.....		
4	2	2	2	2	1111-3024-01	Fästplatta .....	Attachment plate.....		
5	4	4	4	4	1111-3023-01	Låsraff .....	Locking knob.....		
6	4	4	4	4	9795-3531-02	Mutter.....	Nut.....		
7	6	6	6	6	9699-0028-02	Planbricka.....	Flat washer.....		
8	2	2	2	2	1111-0178-00	Förstärkning .....	Reinforcement.....		
9	2	2	2	2	9899-3545-12	Skruv .....	Screw.....		L = 45 mm
9				2	9899-3557-12	Skruv .....	Screw.....		L = 57 mm
10	2	2	2	2	9899-3557-12	Skruv .....	Screw.....		L = 57 mm
11	2	2	2	2	9939-0820-16	Skruv .....	Screw.....		
12	1	1	1	1	1111-3062-01	Ögla .....	Eyelink.....		
20	1	1			9948-0640-16	Skruv .....	Screw.....		L = 40 mm
20	1		1		9948-0660-16	Skruv .....	Screw.....		L = 60 mm
20				1	9948-0670-16	Skruv .....	Screw.....		L = 70 mm
21	1	1	1	1	9747-0631-02	Låsmutter .....	Lock nut.....		
22	1	1	1	1	1111-2953-01	Manöverbygel .....	Control handle.....		
23	1	1	1	1	1111-2968-05	Motorbromswire.....	Engine brake cable.....		
23				1	1111-2968-07	Motorbromswire.....	Engine brake cable.....		
24	2	2	2	2	1111-2018-01	Kabelhållare .....	Cable holder.....		
25	2	2	2	2	9836-9216-12	Skruv .....	Screw.....		
26				1	1111-3301-02	Gasreglage.....	Throttle control.....		
26	1		1		1111-3351-01	Gasreglage.....	Throttle control.....		12-5586-90, 5686-90
27	1		1		9699-0060-02	Planbricka.....	Flat washer.....		
28		1	1	1	1111-2954-01	Manöverbygel .....	Control handle.....		
29		1	1	1	1111-3388-01	Kopplingswire.....	Clutch cable.....		
30	1	1	1	1	1111-2969-01	Wirefäste .....	Cable attachment.....		
40		1	1	1	1111-2915-01	Motorremskiva .....	Engine belt pulley.....		
41		1	1	1	9910-0612-16	Stoppskruv .....	Set screw.....		
42		1	1	1	1111-9061-01	Drivrem .....	V-belt.....		
43		1	1	1	1111-2822-01	Dragfjäder .....	Tension spring.....		
44		1	1	1	1111-3393-01	Transmission .....	Transmission.....		
44A		1	1	1	1111-3446-01	• Fjäder .....	• Spring.....		Ej ill/not ill.
45		1	1	1	1111-3440-01	Remskiva.....	Belt pulley.....		
46		1	1	1	9595-0235-00	Spännstift .....	Locating pin.....		
47		2	2	2	9404-0083-00	Tätningring .....	Seal ring.....		
48		2	2	2	1111-2382-01	Cyl.pinne.....	Pin.....		
49		2	2	2	9695-0013-00	Bricka .....	Washer.....		
50		2	2	2	1111-2829-01	Låsbricka .....	Lock washer.....		
51		2	2	2	1111-3256-01	Drivkil .....	Drive key.....		
52		2			1111-3075-01	Kuggjul-plasthjul .....	Pinion-plastic wheel.....		
52			2	2	1111-3230-01	Kuggjul-alum. hjul.....	Pinion-alum. wheel.....		
53		2	2	2	1111-2830-01	Stödbricka .....	Support washer.....		
54		2	2	2	9695-0013-00	Bricka .....	Washer.....		
55		2	2	2	9652-0010-04	Låsring .....	Snap.....		

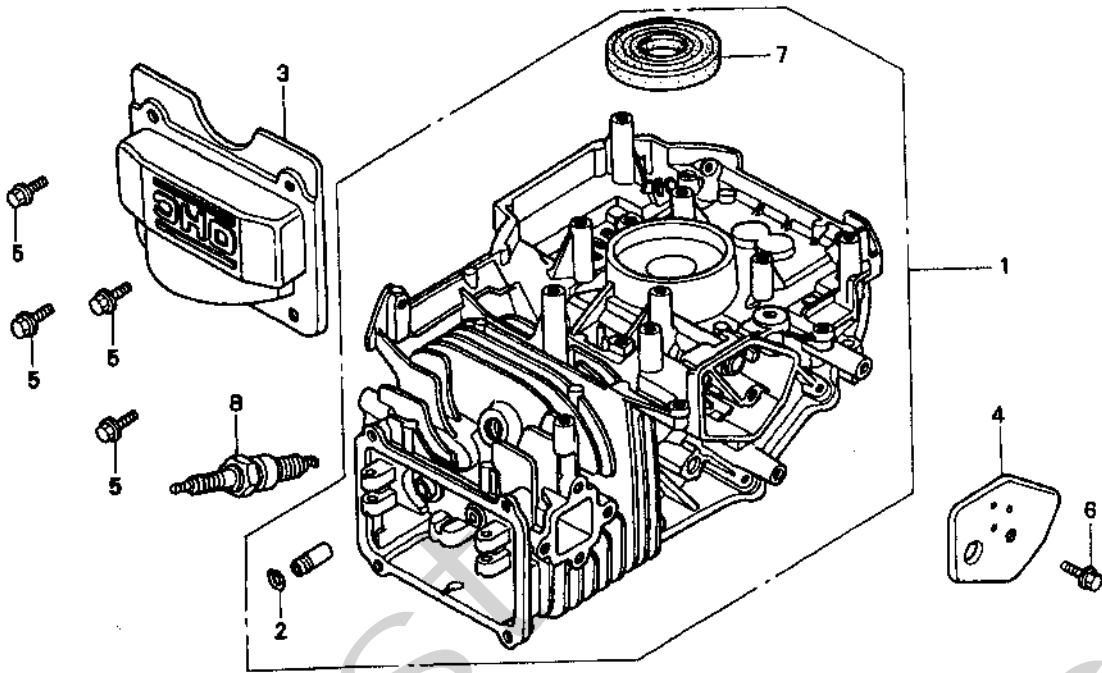
12-1586-87, 12-5586-90



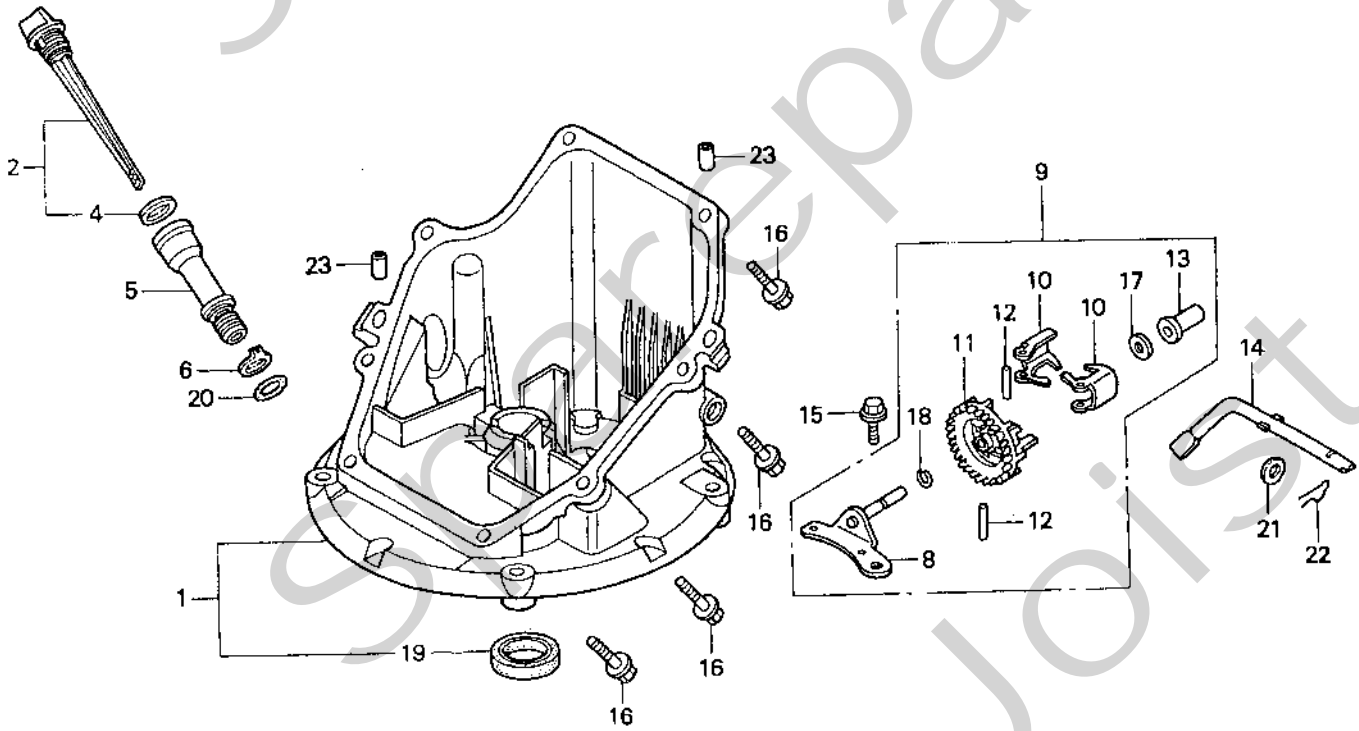
Utgåva Issue 2003-43	Bildnr Picture No 1431A	TURBO PRO 48S HERKULES MB482 HJULUPPHÅNGNING (aluminiumhjul)	TURBO PRO 48S HERKULES MB482 WHEEL SUSPENSION (aluminium wheels)	Sida Page 216
----------------------------	-------------------------------	---	---	---------------------

Pos. Fig.	Antal/Quantity			Art nr Part No	Benämning	Description	Sats Kit	Anmärkning Notes
	5586	5203	5604 5704 5686 5698					
1	2		2	1111-0817-03	Hjul utan lager .....	Wheel w/o bearing .....		
1		2		1111-0817-04	Hjul utan lager .....	Wheel w/o bearing .....		
2	4	4	4	9549-0015-00	Kullager .....	Ball bearing .....		
3	2	2	2	9943-0620-16	Skruv .....	Screw .....		
4	2	2	2	9699-0100-02	Bricka .....	Washer .....		
5	4	2	2	1111-0466-00	Kullagertätning .....	Seal grease .....		
6	2	4	2	1111-1138-01	Fjäder .....	Spring .....		
7	1		1	1111-3466-01	Framaxel .....	Front axle .....		
7		1		1111-3491-01	Framaxel .....	Front axle .....		
8	2	2	2	1111-1504-01	Överfall .....	Retainer .....		
9	2	2	2	9947-0616-16	Skruv .....	Screw .....		
10	1	1	1	1111-2808-01	Bakaxel .....	Rear axle .....		
11	2	2	2	1111-2814-01	Bussning .....	Bushing .....		
12	4	4	4	9947-0616-16	Skruv .....	Screw .....		
14	1			1111-2924-01	Axel .....	Shaft .....		
15	2			9675-0017-02	Starlock .....	Lock washer .....		
16		2	2	1111-3229-01	Täckplåt .....	Cover plate .....		
19	2	2	2	1111-3060-01	Fjäder .....	Spring .....		
20A	2			1111-0817-04	Hjul utan lager .....	Wheel w/o bearing .....		
20B		2	2	1111-2346-01	Hjul utan lager .....	Wheel w/o bearing .....		
21A	4			9549-0015-00	Kullager .....	Ball bearing .....		
21B		4	4	9549-0001-00	Kullager .....	Ball bearing .....		
22	2	2	2	9943-0620-16	Skruv .....	Screw .....		
23	2			9699-0100-02	Bricka .....	Washer .....		
24	1	1	1	1111-2816-01	Spak .....	Height adj.lever .....		
25	1	1	1	1111-2817-01	Handtag .....	Lever knob .....		
26	2	2	2	9943-0612-16	Skruv .....	Screw .....		
27	1	1	1	1111-2818-01	Dragstång .....	Height adj.rod .....		
28	2	2	2	9675-0011-00	Starlock .....	Starlock .....		
29	1	1	1	1111-2819-01	Fjäder .....	Spring .....		
30	4	2	2	1111-1506-01	Navkapsel .....	Hub cap .....		
31		2		1111-1506-01	Navkapsel .....	Hub cap .....		
31			2	1111-2077-01	Navkapsel .....	Hub cap .....		
32		2	2	1111-2109-01	Kuggkrans .....	Gear ring .....		
33		8	8	9841-0410-16	Skruv .....	Screw .....		
34		2	2	1111-3555-01	Distans .....	Spacer .....		
35		2	2	9699-0037-02	Bricka .....	Washer .....		

A



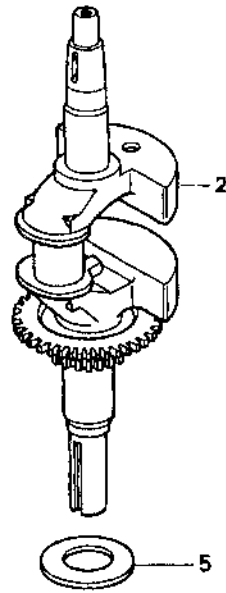
B



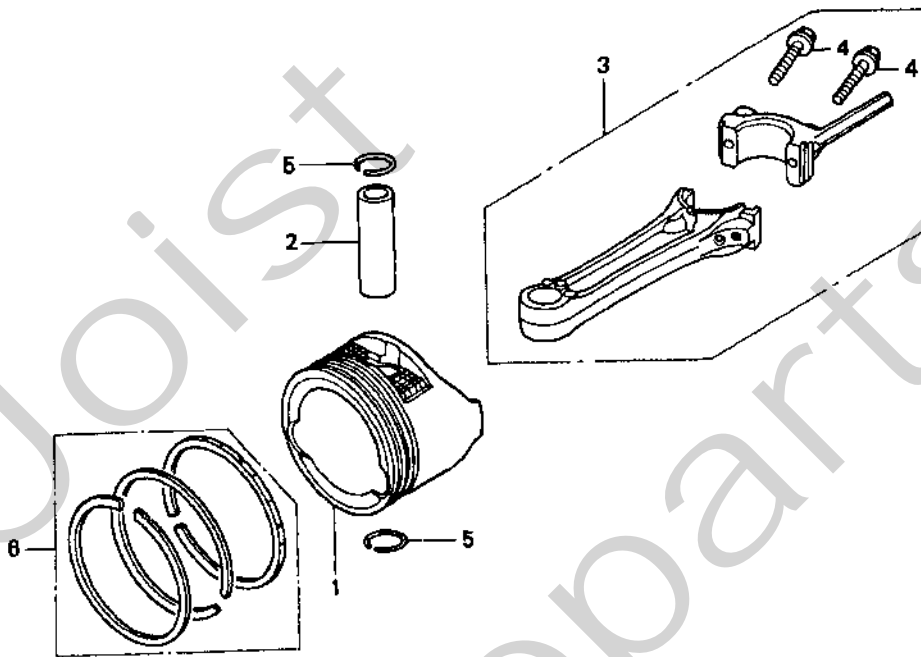


Utgåva Issue		Bildnr Picture No		HONDA GCV 135, 160 CYLINDER VEVHUS		HONDA GCV 135, 160 CYLINDER CRANKCASE		Sida Page
2003-43		956A						390
Pos. Fig.	Anta/Quantity			Art nr Part No	Benämning	Description	Sats Kit	Anmärkning Notes
	GCV 135 A2G7	GCV 160 A2G7						
X	A01		1	12000ZL8415	Cylinder .....	Cylinder .....		Champion RN9YC
X	A01	1		12000ZL9415	Cylinder .....	Cylinder .....		
	A02	1	1	12216ZE5300	• Låsring .....	• Clip .....		
	A03	1	1	12311ZL8000	Lock .....	Cover .....		
	A04	1	1	12355ZL8000	Lock .....	Cover .....		
	A05	4	4	90013883000	Bult .....	Boit .....		
	A06	1	1	90014952000	Bult .....	Bolt .....		
	A07	1	1	91201ZL8003	• Tättningsring .....	• Oil seal .....		
	A08	1	1	9400-0289-01	Tändstift .....	Spark plug .....		
X	B01	1	1	11300ZM0811	Vevhus .....	Oil pan .....		
	B02	1	1	15650ZM0801	Oljesticka .....	Oil dipstick .....		
	B04	1	1	15625ZE6000	• Packning .....	• Gasket .....		
	B05	1	1	15631ZM0000	Oljepåfyllningsrör .....	Oil filler extension .....		
	B06	1	1	15639ZM0000	Bricka .....	Washer .....		
X	B08	1	1	16508ZM0010	• Axel .....	• Shaft .....		
X	B09	1	1	16510ZM0010	Regulator kpl .....	Governor assy .....		
	B10	2	2	16511ZL8000	• Vikt .....	• Weight .....		
	B11	1	1	16512ZM0000	• Vikthållare .....	• Weight holder .....		
	B12	2	2	16513ZE1000	• Stift .....	• Pin .....		
	B13	1	1	16531ZE1000	• Glidhylsa .....	• Slider .....		
	B14	1	1	16541ZM0000	Regulatorarm .....	Shaft .....		
	B15	1	1	90014952000	Bult .....	Boit .....		
	B16	8	8	90121952000	Bult .....	Boit .....		
	B17	1	1	90451ZE1000	• Bricka .....	• Washer .....		
	B18	1	1	90602ZE1000	• Låsring .....	• Clip .....		
	B19	1	1	91202ZL8003	• Tättningsring .....	• Oil seal .....		
X	B20	1	1	91303ZM0003	O-ring .....	O-ring .....		
	B21	1	1	9410106800	Bricka .....	Washer .....		
	B22	1	1	9425108000	Låspinne .....	Lock pin .....		
	B23	2	2	9430108200	Styrpinne .....	Dowel pin .....		

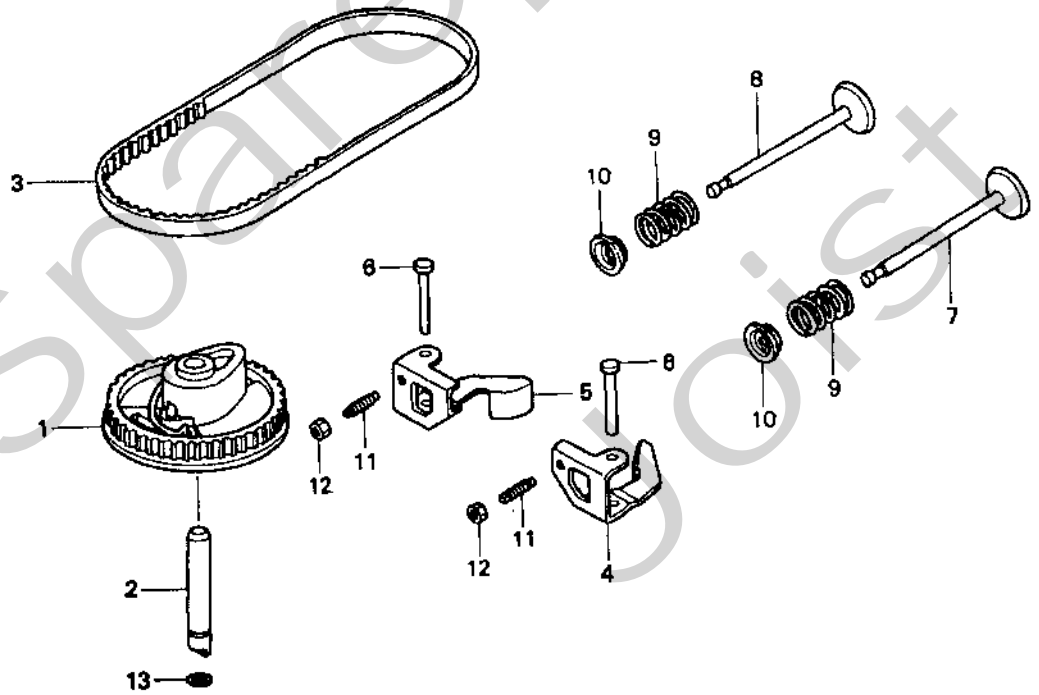
A



B



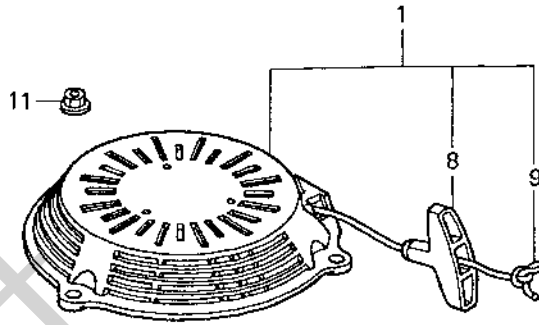
C



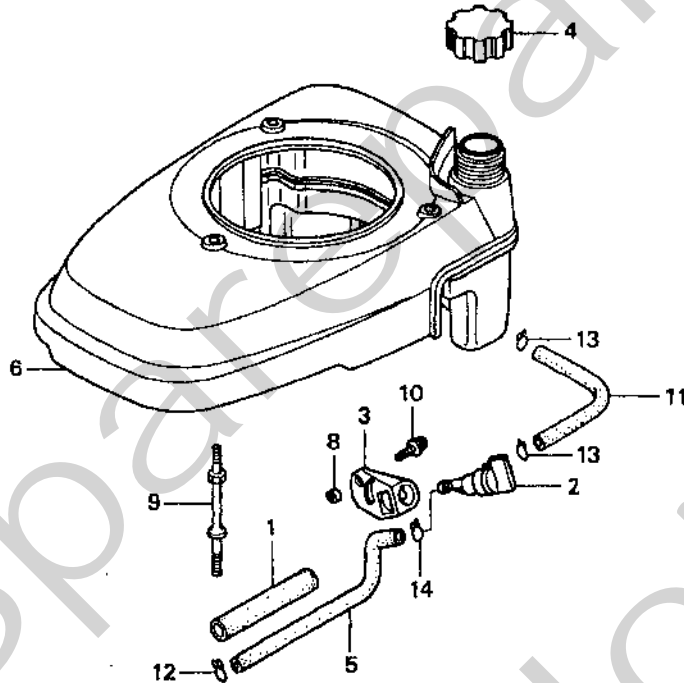
**STIGA**  
957  
SPARE PARTS

Utgåva Issue		Bildnr Picture No		HONDA GCV 135, 160 VEVAXEL KAMAXEL		HONDA GCV 135, 160 CRANKSHAFT CAMSHAFT		Sida Page
2003-43		957						392
Pos. Fig.	Antal/Quantity			Art nr Part No	Benämning	Description	Sats Kit	Anmärkning Notes
	GCV 135 A2G7	GCV 160 A2G7						
A02		1		13310ZM0600	Vevaxel .....	Crankshaft .....		
A02	1			13310ZM1600	Vevaxel .....	Crankshaft .....		
A05	1	1		90402ZL8000	Bricka .....	Washer .....		
B01	1	1		13101ZL8000	Kolv .....	Piston .....		
B02	1	1		13111ZE0000	Kolvbult .....	Piston pin .....		
B03		1		13200ZL8000	Vevstake .....	Connecting rod .....		
B03	1			13200ZL9000	Vevstake .....	Connecting rod .....		
B04	2	2		90001ZE1000	Bult .....	Bolt .....		
B05	2	2		90551ZE0000	Låsring .....	Clip .....		
X B06	1	1		13010ZL8014	Kolvringssats .....	Ring set .....		Teikoku
C01	1	1		14320ZL8000	Remskiva .....	Pulley .....		
C02	1	1		14324ZL8000	Axel .....	Shaft .....		
C03		1		14400ZL8003	Kamrem .....	Belt .....		
C03	1			14400ZL9003	Kamrem .....	Belt .....		
C04	1	1		14431ZL8000	Vipparm- insug .....	In. valve rocker arm .....		
C05	1	1		14441ZL8000	Vipparm- utblås .....	Ex. valve rocker arm .....		
C06	2	2		14461ZL8000	Axel .....	Shaft .....		
C07	1	1		14711ZL8000	Insugningsventil .....	Intake valve .....		
C08	1	1		14721ZL8000	Utblåsningsventil .....	Exhaust valve .....		
C09	2	2		14751ZL8000	Ventilfjäder .....	Valve spring .....		
C10	2	2		14771ZE1000	Ventilfjäderhållare .....	Valve spring retainer .....		
C11	2	2		90012333000	Justerskruv .....	Adjusting screw .....		
X C12	2	2		90206001000	Mutter .....	Nut .....		
C13	1	1		91301Z0M003	O-ring .....	O-ring .....		

A

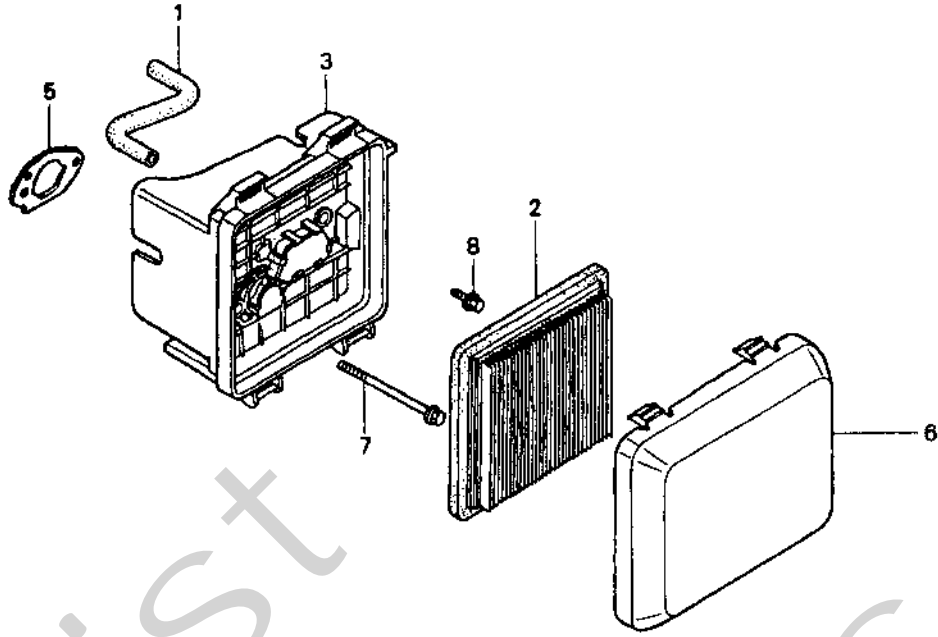


B

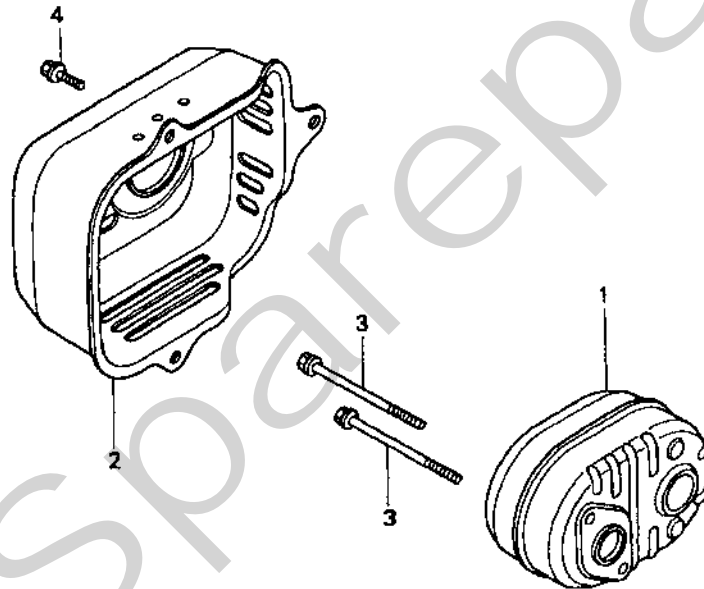


Utgåva Issue		Bildnr Picture No		HONDA GCV 135, 160 START BRÄNSLETANK		HONDA GCV 135, 160 RECOIL STARTER FUEL TANK		Sida Page
2003-43		958						394
Pos. Fig.	Antal/Quantity			Art nr Part No	Benämning	Description	Sats Kit	Anmärkning Notes
	GCV 135 A2G7	GCV 160 A2G7						
X	A01A	1	1	28400ZM0632	Start kpl.....	Starter assy.....		ZA *NH1* black
X	A01B	1	1	28400ZM0632	Start kpl.....	Starter assy.....		ZB *R8* red
	A08	1	1	28461ZL8003	• Handtag.....	• Grip.....		
	A09	1	1	28462ZL8631	• Startsnöre.....	• Starter rope.....		
	A11	3	3	90201ZM0000	Mutter.....	Nut.....		
	B01	1	1	16854ZH8000	Gummistöd.....	Rubber supporter.....		
	B02	1	1	16950ZG9M02	Bensinkran.....	Fuel cock.....		
	B03	1	1	16956ZM0000	Fäste.....	Bracket.....		
X	B04	1	1	17620ZL8013	Tanklock.....	Fuel tank cap.....		
	B05	1	1	17702ZM0000	Bränslerör.....	Fuel tube.....		
X	B06A		1	19610ZM0010	Bränsletank.....	Fuel tank.....		ZA *NH1* black
X	B06B		1	19610ZM0010	Bränsletank.....	Fuel tank.....		ZB *R8* red
X	B06C	1		19610ZM1010	Bränsletank.....	Fuel tank.....		ZA *NH1* black
X	B06D	1		19610ZM1010	Bränsletank.....	Fuel tank.....		ZB *R8* red
	B08	1	1	33609GK4620	Hylsa.....	Collar.....		
	B09	3		90041ZL9000	Pinnbult.....	Stud bolt.....		
	B09		3	90043ZL8000	Pinnbult.....	Stud bolt.....		
	B10	1	1	938910501008	Skruv.....	Screw.....		
	B11	1	1	950015513540	Bränslerör.....	Fuel tube.....		5.3 x 135
	B12	1	1	9500202080	Slangklämma.....	Tube clip.....		
	B13	2	2	9500202100	Slangklämma.....	Tube clip.....		
	B14	1	1	9500250000	Slangklämma.....	Tube clip.....		

A



B

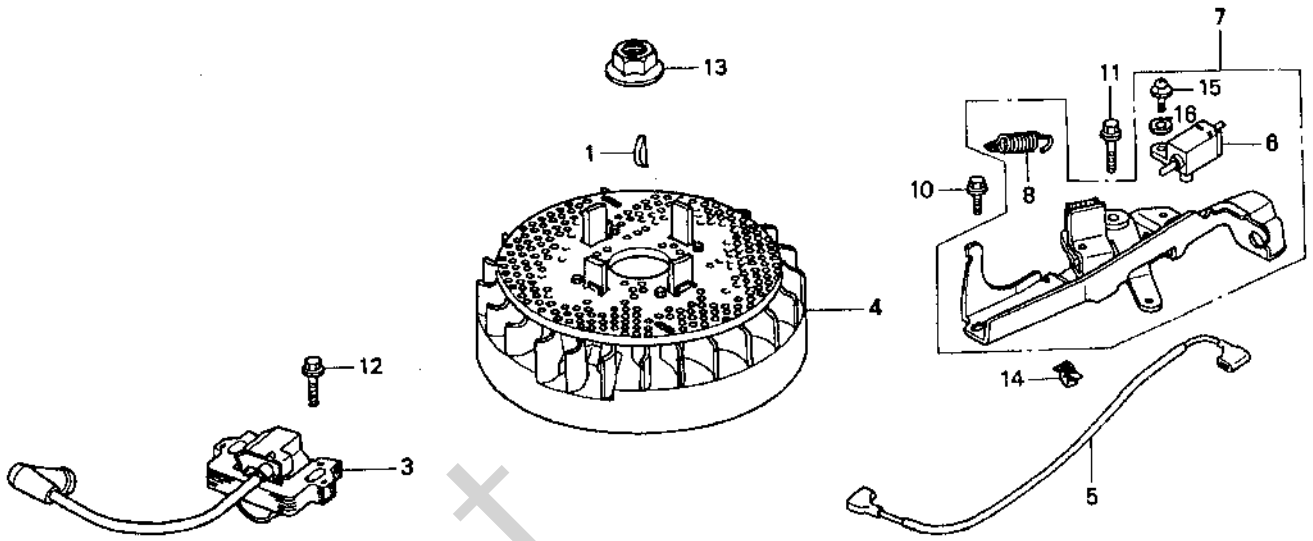


Utgåva Issue 2003-43		Bildnr Picture No 959		HONDA GCV 135, 160 LUFFFILTER LJUDDÄMPARE		HONDA GCV 135, 160 AIR CLEANER MUFFLER		Sida Page 396
Pos. Fig.	Antal/Quantity			Art nr Part No	Benämning	Description	Sats Kit	Anmärkning Notes
	GCV 135 A2G7	GCV 160 A2G7						
A01		1		15721ZM0000	Ventilationsrör .....	Breather tube .....		
A01	1			15721ZM1000	Ventilationsrör .....	Breather tube .....		
A02	1	1		17211ZL8003	Filterelement .....	Air cleaner element .....		
A03	1	1		17220ZM0000	Luftrenarhus .....	Air cleaner case .....		
A05	1	1		17228ZM0000	Packning .....	Gasket .....		
A06	1	1		17231ZM0000	Kåpa .....	Cover .....		
A07	2	2		90003ZM0000	Bult .....	Bolt .....		
A08	1	1		957010601408	Bult .....	Bolt .....		
B01	1	1		18310ZM0000	Ljuddämpare .....	Muffler .....		
B02	1	1		18321ZL8000	Skydd .....	Protector .....		
B03	2	2		90004ZL8000	Bult .....	Bolt .....		
B04	3	3		90013883000	Bult .....	Bolt .....		

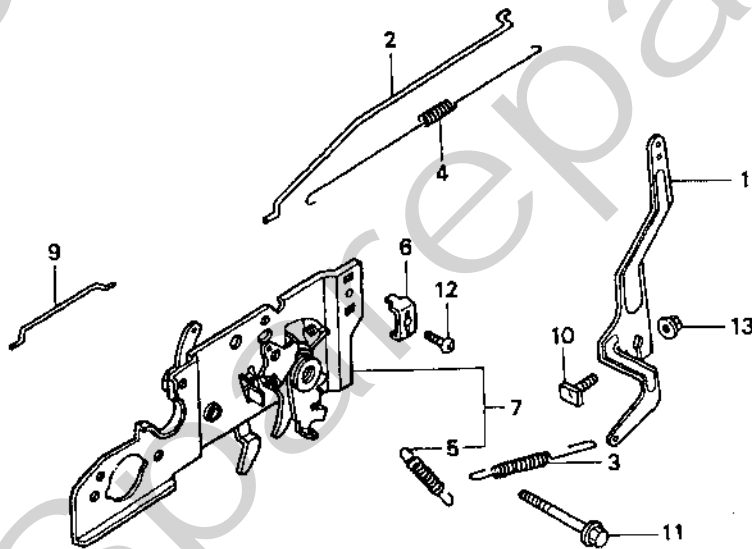
X

Joist Spareparts

A



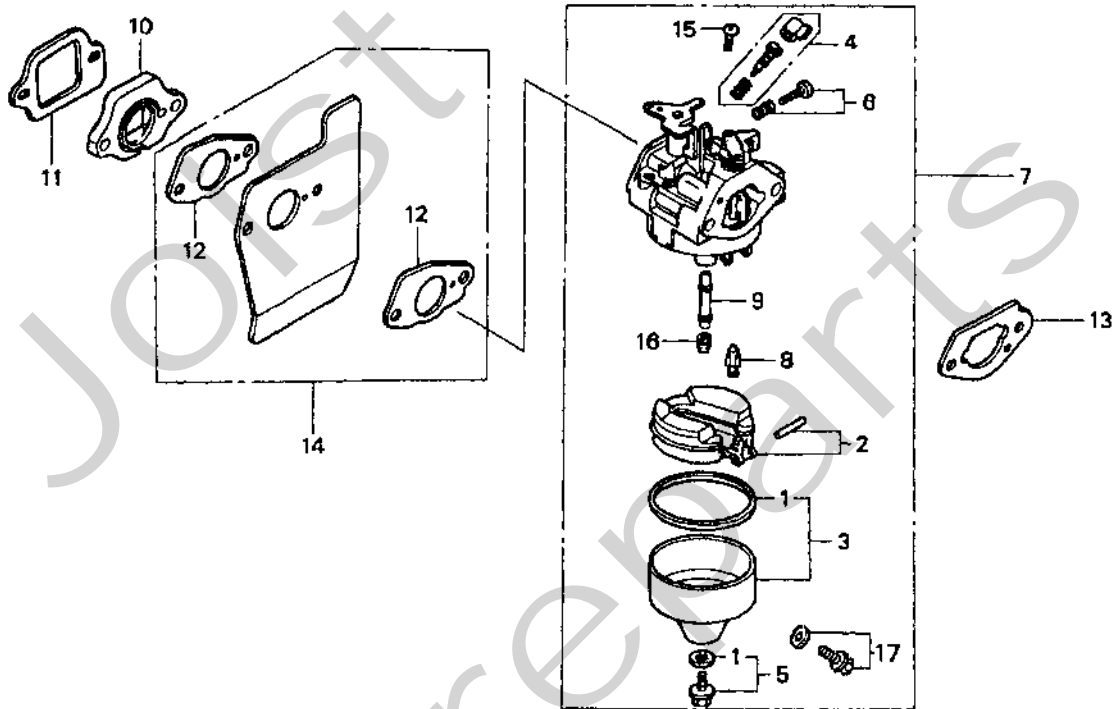
B





Utgåva Issue		Bildnr Picture No		HONDA GCV 135, 160 SVÄNGHJUL REGULATOR		HONDA GCV 135, 160 FLYWHEEL CONTROL		Sida Page
2003-43		960						398
Pos. Fig.	Antal/Quantity			Art nr Part No	Benämning	Description	Sats Kit	Anmärkning Notes
	GCV 135 A2G7	GCV 160 A2G7						
A01	1	1		13331357000	Key	Key		
A03	1	1		30500ZL8004	Tändspole	Ignition coil		
A04		1		31105ZM0000	Svängjul	Flywheel		
A04	1			31105ZM1000	Svängjul	Flywheel		
A05	1	1		32195ZM0000	Kabel	Cord		
A06	1	1		35120ZM0003	• Stoppkontakt	• Stop switch		
A07	1	1		75100ZM0000	Broms kpl	Brake assy		
A08	1	1		75113ZM0000	• Fjäder	• Spring		
A10	1	1		90014952000	Bult	Bolt		
A11	1	1		90018ZE1000	Bult	Bolt		
A12	1	1		90022888010	Bult	Bolt		
A13	1	1		90201878003	Mutter	Nut		
A14	1	1		90681959003	Kabelklämma	Cable clip		
A15	1	1		938920401200	• Skruv	• Screw		
A16	1	1		9410304000	• Bricka	• Washer		
X B01	1	1		16551ZM0010	Regulatorarm	Governor arm		
B02		1		16555ZM0000	Regulatorlänk	Governor rod		
B02	1			16555ZM1000	Regulatorlänk	Governor rod		
B03		1		16561ZM0000	Regulatorfjäder	Governor spring		
B03	1			16561ZM1000	Regulatorfjäder	Governor spring		
B04		1		16562ZM0000	Returfjäder	Return spring		
B04	1			16562ZM1000	Returfjäder	Return spring		
B05	1	1		16576ZE7300	• Fjäder	• Lever spring		
B06	1	1		16576891000	Kabelhållare	Cable holder		
X B07	1	1		16580ZM0020	Reglageplatta	Control base		
B09	1	1		16674ZM0000	Chokelänk	Choke rod		
B10	1	1		90015ZE5010	Bult	Bolt		
B11	1	1		90016ZM0000	Bult	Bolt		
B12	1	1		93500050160A	Skruv	Screw		
B13	1	1		9405006000	Mutter	Nut		

A



Utgåva Issue		Bildnr Picture No		HONDA GCV 135, 160 FÖRGASARE		HONDA GCV 135, 160 CARBURETTDR		Sida Page	
2003-43		961A						400	
Pos. Fig.	Antal/Quantity			Art nr Part No	Benämning	Description	Sats Kit	Anmärkning Notes	
	GCV 135 A2G7	GCV 160 A2G7							
	A01	1	1	16010883015	• • Packningssats .....	• • Gasket set .....			
	A02	1	1	16013ZL1003	• Flottörsats .....	• Float set .....			
X	A03	1	1	16015887782	• Flottörhus .....	• Float chamber .....			
X	A04	1	1	16016ZG0W00	• Justerskruv .....	• Set screw .....			
	A05	1	1	16028ZE0005	• Skruv .....	• Screw .....			
	A06	1	1	16029ZG0901	• Justerskruv .....	• Set screw .....			
X	A07		1	16100ZM0803	Förgasare kpl .....	Carburettor assy .....		BB62B D	
X	A07	1		16100ZM1822	Förgasare kpl .....	Carburettor assy .....		BB64F A	
	A08	1	1	16155ZM0003	• Ventil .....	• Valve .....			
	A09		1	16166ZM0003	• Munstycke .....	• Main nozzle .....			
	A09	1		16166ZM1003	• Munstycke .....	• Main nozzle .....			
	A10	1	1	16211ZL8000	Isolator .....	Insulator .....			
	A11	1	1	16212ZL8000	Packning .....	Gasket .....			
	A12	1	1	16221883800	• Packning .....	• Gasket .....			
	A13	1	1	16228ZL8000	Packning .....	Gasket .....			
	A14	1	1	19650ZM0000	Luftplåt .....	Air guide .....			
	A15	1	1	93500050061H	• Skruv .....	• Screw .....			
	A16	1		991011240580	• Munstycke .....	• Main jet .....		#58	
	A16	1	1	991011240600	• Munstycke .....	• Main jet .....		#60	
	A16	1	1	991011240620	• Munstycke .....	• Main jet .....		#62	
	A16	1	1	991011240650	• Munstycke .....	• Main jet .....		#65	
X	A17	1	1	16024ZE1811	• Dräneringsskruv .....	• Drain screw .....			