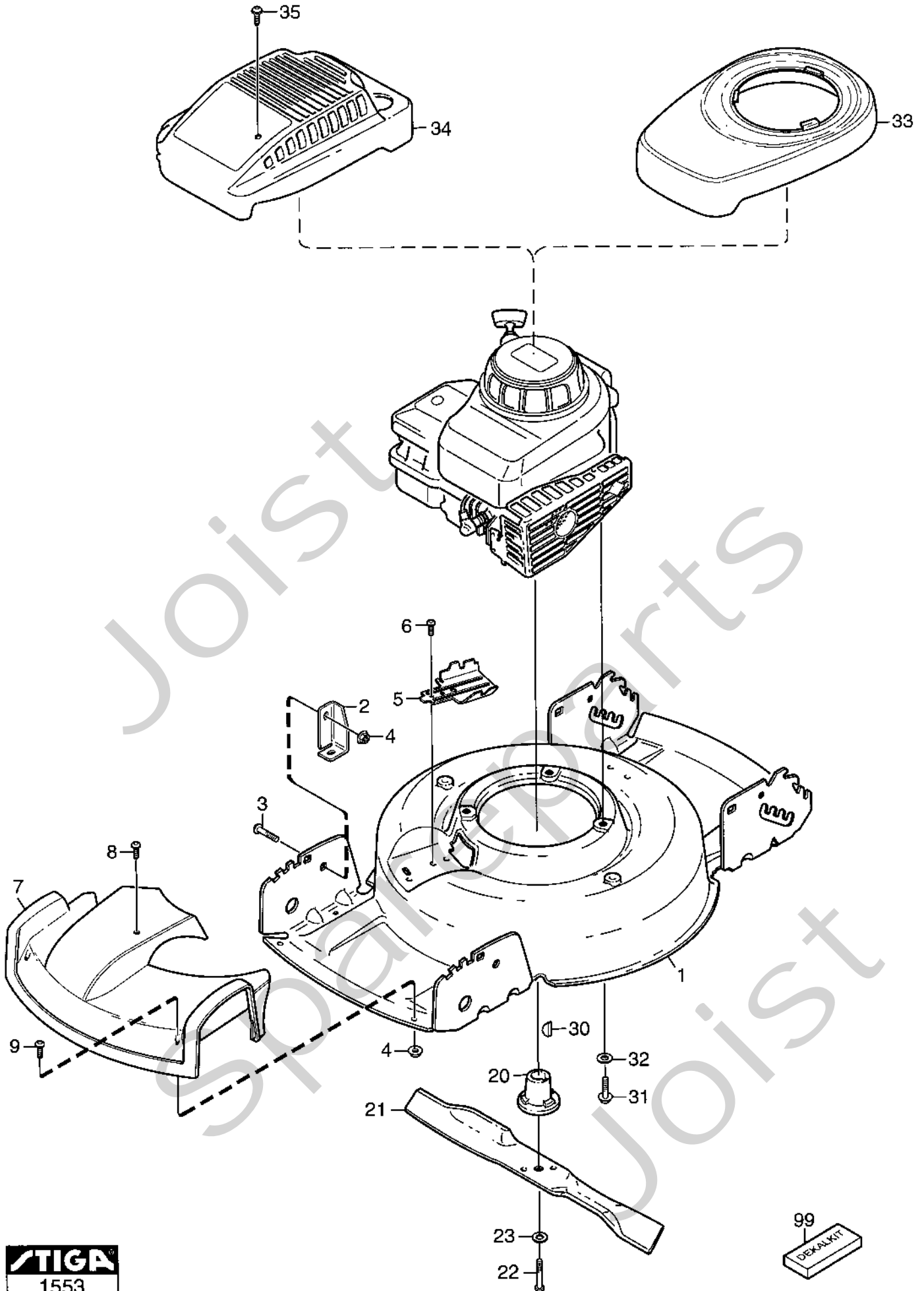


# Genuine Spare Parts

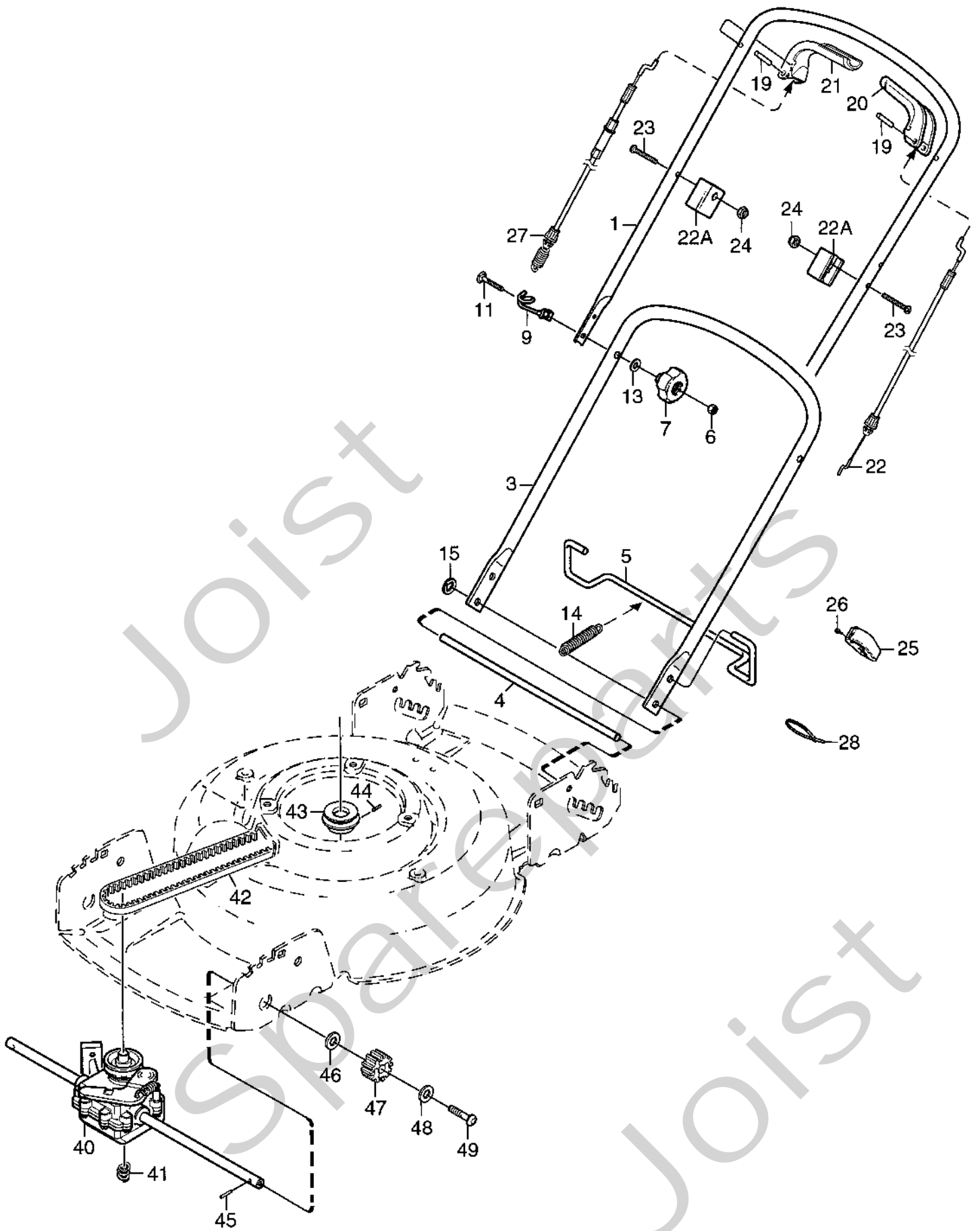
---



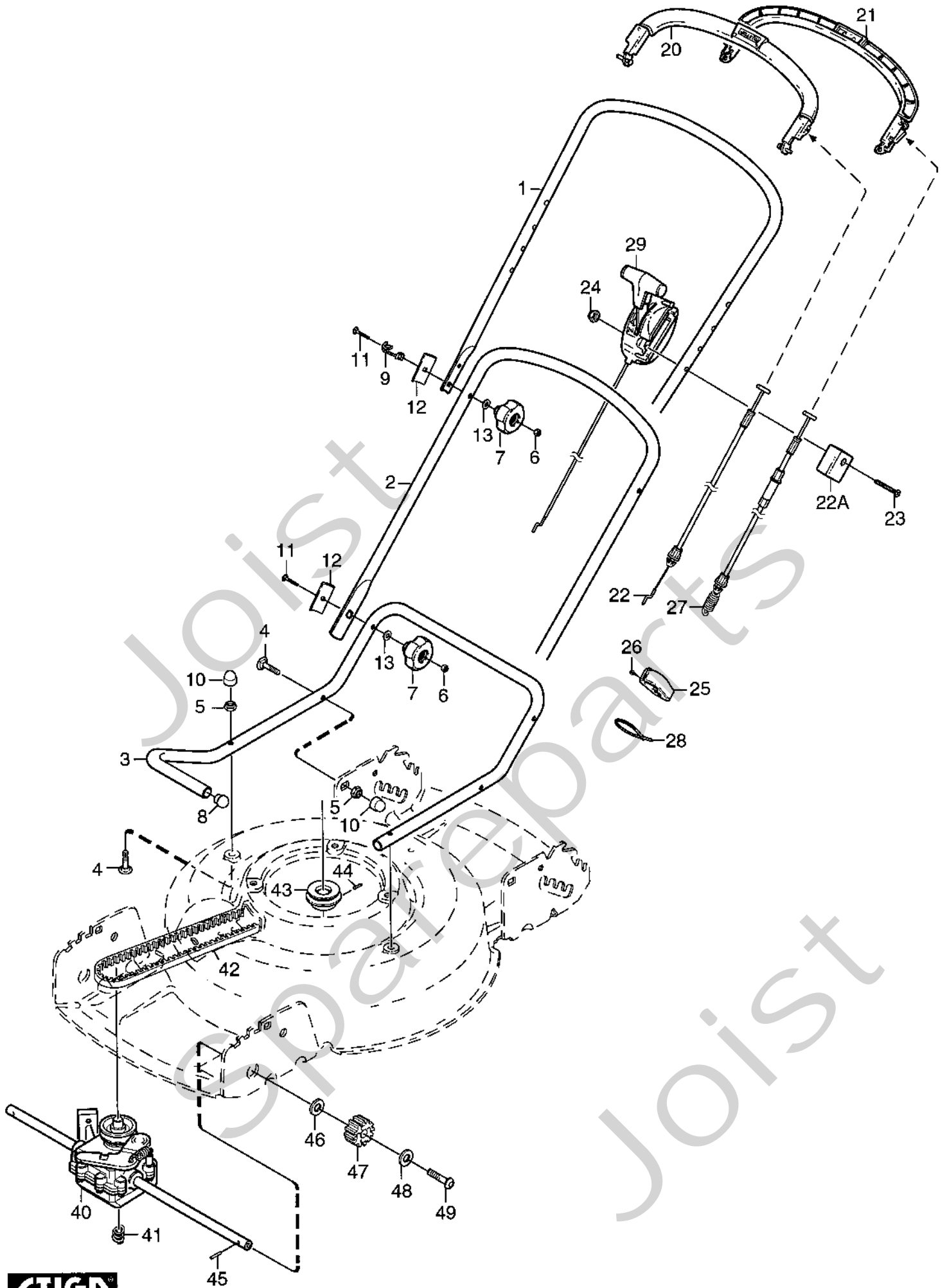
Joist  
Spareparts  
Joist



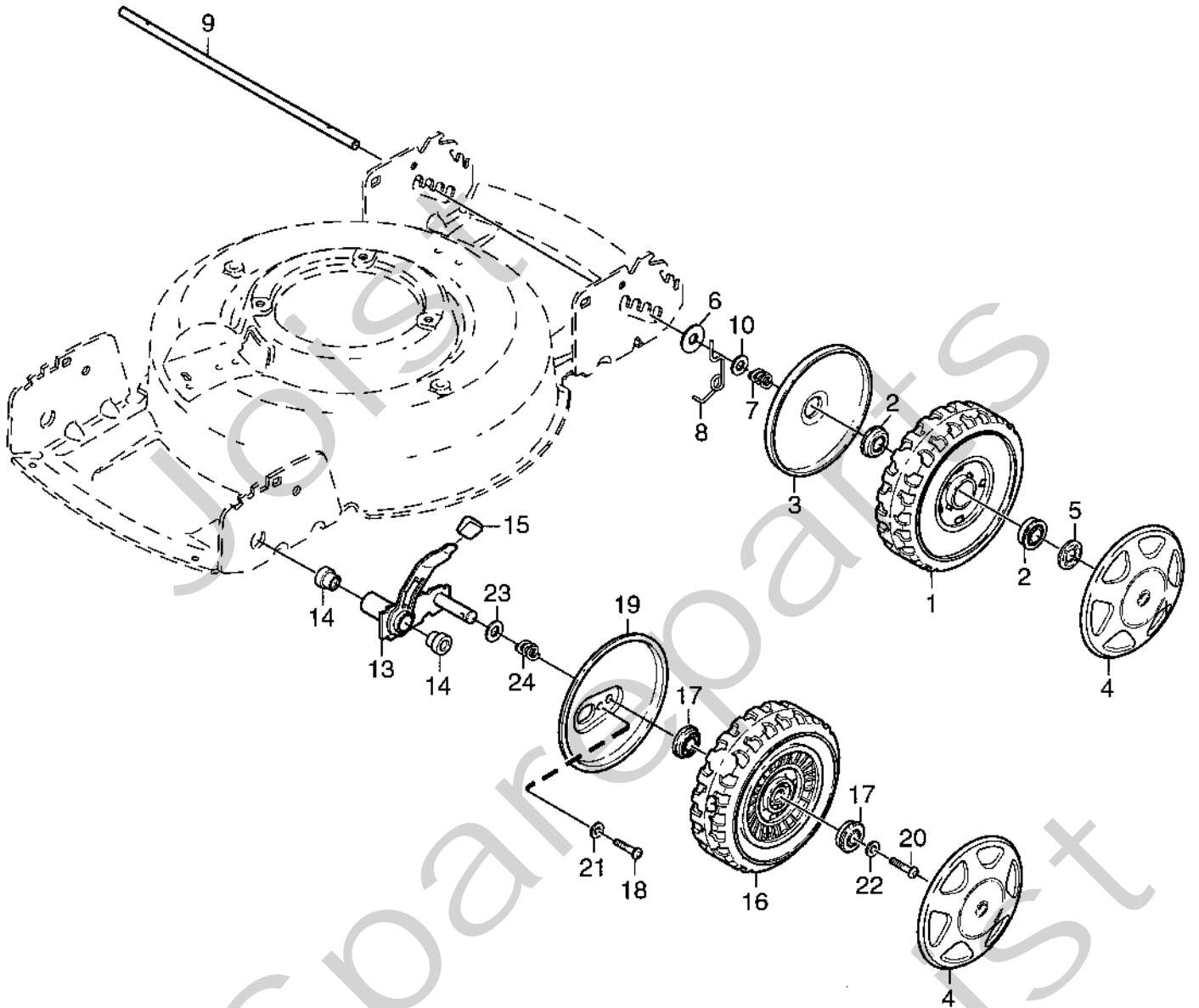
Utgåva Issue 2003-43		Bildnr Picture No 1553		MULTICLIP 46S-46SE CHASSI KNIV		MULTICLIP 46S-46SE CHASSIS BLADE		Sida Page 22	
Pos. Fig.	Antal/Quantity				Art nr Part No	Benämning	Description	Sats Kit	Anmärkning Notes
	3603 -17	3681 -27 -67	3681 -57	3698 -57 -67					
X	1	1	1	1	1111-3500-01	Kåpa-gul .....	Chassis- yellow .....		
X	1		1	1	1111-3500-04	Kåpa-svart .....	Chassis- black .....		3681-67, 3698-67
X	2	2	2	2	1111-3501-01	Stag .....	Support .....		
	3	4	4	4	9997-0512-16	Skruv .....	Screw .....		
	4	6	6	6	9739-0531-22	Mutter .....	Nut .....		
X	5	1	1	1	1111-2648-01	Grässkydd .....	Grass shield .....		
	6	2	2	2	9852-8013-16	Skruv .....	Screw .....		
X	7	1	1	1	1111-3542-01	Frontkåpa-gul .....	Front cover- yellow .....		
X	7	1	1	1	1111-3542-02	Frontkåpa-svart .....	Front cover- black .....		3681-67, 3698-67
	8	1	1	1	9943-0530-16	Skruv .....	Screw .....		
	9	2	2	2	9943-0540-16	Skruv .....	Screw .....		
	20	1	1	1	1111-9067-01	Knivfäste .....	Blade holder .....		
	21	1	1	1	1111-9078-01	Kniv .....	Blade .....		
	22	1	1	1	9987-5257-12	Knivbult .....	Blade bolt .....		
	23	1	1	1	9696-0011-01	Bricka .....	Washer .....		
	30	1	1	1	9600-0014-00	Kil .....	Key .....		
	31	3	3	3	9955-3732-12	Skruv .....	Screw .....		
	32	3	3	3	9699-0029-02	Planbricka .....	Flat washer .....		
	33		1		1111-3289-01	Motorkåpa-svart .....	Engine cover- black .....		
	34		1	1	1111-3287-01	Motorkåpa-svart .....	Engine cover- black .....		
	35		2		9828-7942-12	Skruv .....	Screw .....		
X	99	1	1	1	1111-3595-04	Dekalsats .....	Label kit .....		STIGA



Utgåva Issue		Bildnr Picture No		MULTICLIP 46S STYRE TRANSMISSION		MULTICLIP 46S HANDLE TRANSMISSION		Sida Page	
2003-43		1555						24	
Pos. Fig.	Antal/Quantity			Art nr Part No	Benämning	Description	Sats Kit	Anmärkning Notes	
	3681 -27								
X 1	1			1111-3502-01	Styre-överdel .....	Handlebar-upper part .....			
3	1			1111-3018-01	Styre-underdel .....	Handlebar-lower part .....			
4	1			1111-1532-01	Ledstång styre .....	Pivot rod .....			
5	1			1111-3017-01	Styrbygel .....	Handlebar clamp .....			
6	2			9795-3531-02	Mutter .....	Nut .....			
7	2			1111-3023-01	Låsrott .....	Locking knob .....			
9	1			1111-3062-01	Ögla .....	Eyelink .....			
11	2			9899-3551-12	Skruv .....	Screw .....			
13	2			9699-0028-02	Planbricka .....	Flat washer .....			
14	1			1111-2375-01	Fjäder .....	Spring .....			
15	2			9670-0203-00	Låsbricka .....	Lock washer .....			
19	2			9595-0258-00	Spännstift .....	Locating pin .....			
20	1			1117-3221-01	Manöverbygel .....	OPC lever .....			
21	1			1117-3222-01	Manöverbygel .....	Control lever .....			
22	1			1111-3250-01	Motorbromswire .....	Engine brake cable .....			
22 A	2			1111-2969-01	Wirefäste .....	Cable attachment .....			
23	2			9948-0640-16	Skruv .....	Screw .....			
24	2			9747-0631-02	Låsmutter .....	Lock nut .....			
25	2			1111-2018-01	Kabelhållare .....	Cable holder .....			
26	2			9836-9216-12	Skruv .....	Screw .....			
X 27	1			1111-3543-01	Kopplingswire .....	Clutch cable .....			
28	1			9579-0008-00	Buntband .....	Cable holder .....			
X 40	1			1111-3505-01	Transmission kpl .....	Transmission assy .....			
X 41	1			1111-3060-01	Fjäder .....	Spring .....			
X 42	1			1151-0128-17	Drivrem .....	Drive belt .....			
43	1			1111-2433-01	Motorremskiva .....	Engine belt pulley .....			
44	1			9910-0612-16	Stoppskruv .....	Set screw .....			
45	2			1111-2382-01	Cyl.pinne .....	Pin .....			
46	2			1111-1456-01	Bricka .....	Washer .....			
47	2			1111-2635-01	Kugghjul .....	Gear wheel .....			
48	2			9699-0100-02	Bricka .....	Washer .....			
49	2			9943-0612-16	Skruv .....	Screw .....			

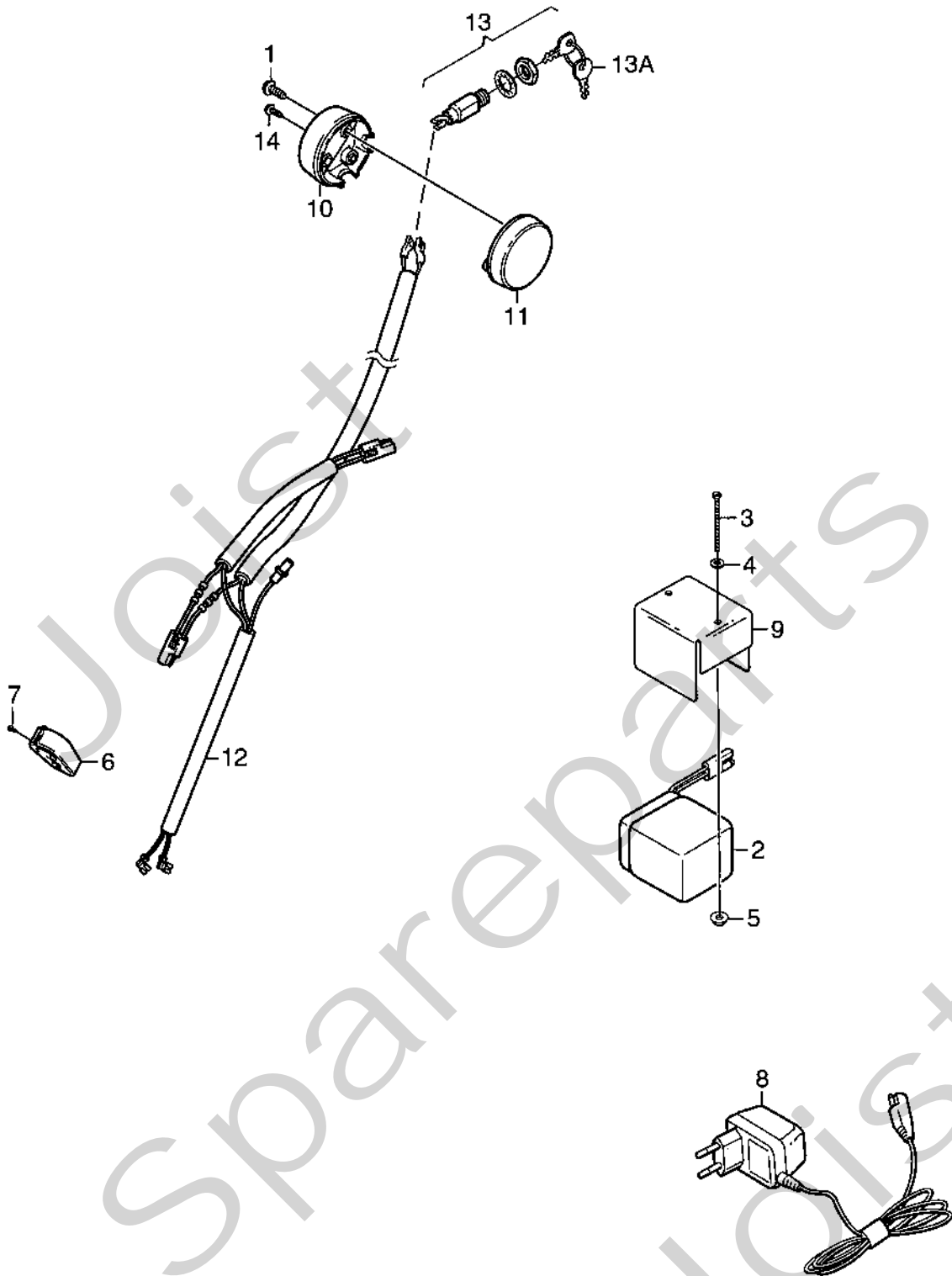


Utgåva Issue		Bildnr Picture No		MULTICLIP 46S-46SE STYRE TRANSMISSION		MULTICLIP 46S-46SE HANDLE TRANSMISSION		Sida Page	
2003-43		1554						26	
Pos. Fig.	Antal/Quantity			Art nr Part No	Benämning	Description	Sats Kit	Anmärkning Notes	
	3603 -17	3681 -57 -67	3698 -57 -67						
1	1	1	1	1111-3243-01	Styre-överdel .....	Handlebar-upper part .....			
2	1	1	1	1111-2961-01	Styre-mellandel .....	Handlebar-interm.part .....			
3	1	1	1	1111-2962-01	Styre-underdel .....	Handlebar-lower part .....			
4	4	4	4	9898-0835-12	Skruv .....	Screw .....			
5	4	4	4	9747-0831-02	Mutter .....	Lock nut .....			
6	4	4	4	9795-3531-02	Mutter .....	Nut .....			
7	4	4	4	1111-3023-01	Låsrott .....	Locking knob .....			
8	2	2	2	9403-0043-70	Plugg .....	Plug .....			
9	1	1	1	1111-3062-01	Ögla .....	Eyelink .....			
10	4	4	4	9403-0113-00	Mutterhatt .....	Nut cap .....			
11	4	4	4	9899-3557-12	Skruv .....	Screw .....			
12	4	4	4	1111-0178-00	Förstärkning .....	Reinforcement .....			
13	4	4	4	9699-0028-02	Planbricka .....	Flat washer .....			
20	1	1	1	1111-2953-01	Manöverbygel .....	Control handle .....			
21	1	1	1	1111-2954-01	Manöverbygel .....	Control handle .....			
22			1	1111-2968-03	Motorbromswire .....	Engine brake cable .....			
22	1	1	1	1111-2968-05	Motorbromswire .....	Engine brake cable .....			
22A	1	1	1	1111-2969-01	Wirefäste .....	Cable attachment .....			
23		1	1	9948-0640-16	Skruv .....	Screw .....		L = 40 mm	
23	1			9948-0670-16	Skruv .....	Screw .....		L = 70 mm	
24	1	1	1	9747-0631-02	Låsmutter .....	Lock nut .....			
25	2	1	1	1111-2018-01	Kabelhållare .....	Cable holder .....			
26	2	1	1	9836-9216-12	Skruv .....	Screw .....			
X 27	1	1	1	1111-3389-02	Kopplingswire .....	Clutch cable .....			
28	1	1	2	9579-0008-00	Buntband .....	Cable holder .....			
29	1			1111-3301-01	Gasreglage .....	Throttle control .....			
X 40	1	1	1	1111-3505-01	Transmission kpl .....	Transmission assy .....			
41	1	1	1	1111-3060-01	Fjäder .....	Spring .....			
X 42	1	1	1	1151-0128-17	Drivrem .....	Drive belt .....			
43	1	1	1	1111-2433-01	Motorremskiva .....	Engine belt pulley .....			
44	1	1	1	9910-0612-16	Stoppsskruv .....	Set screw .....			
45	2	2	2	1111-2382-01	Cyl.pinne .....	Pin .....			
46	2	2	2	1111-1456-01	Bricka .....	Washer .....			
47	2	2	2	1111-2635-01	Kugghjul .....	Gear wheel .....			
48	2	2	2	9699-0100-02	Bricka .....	Washer .....			
49	2	2	2	9943-0612-16	Skruv .....	Screw .....			



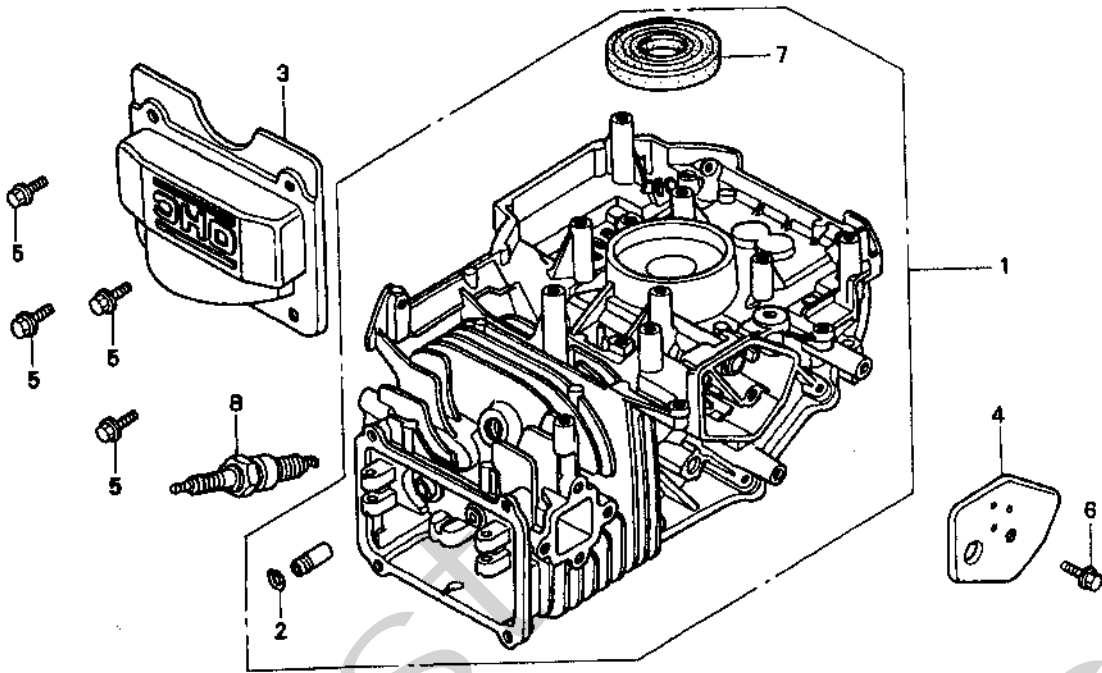


Utgåva Issue		Bildnr Picture No		MULTICLIP 46S-46SE HJULUPPHÄNGNING		MULTICLIP 46S-46SE WHEEL SUSPENSION		Sida Page	
2003-43		1556						28	
Pos. Fig.	Antal/Quantity				Art nr Part No	Benämning	Description	Sats Kit	Anmärkning Notes
	3603 -17	3681 -27 -57 -67	3698 -57 -67						
1	2	2	2	1111-3238-01	Hjul.....	Wheel.....			
2	4	4	4	9549-0053-00	Kullager.....	Ball bearing.....			
3	2	2	2	1111-3341-01	Hjulsköld.....	Wheel cover.....			
4	4	4	4	1111-3085-01	Navkapsel- gul.....	Hub cap-yellow.....			
4	4	4	4	1111-3085-06	Navkapsel- svart.....	Hub cap-black.....			
5	2	2	2	9675-0017-02	• Starlock.....	• Lock washer.....			
6	2	2	2	1111-1593-01	Bricka.....	Washer.....			
7	2	2	2	1111-3060-01	Fjäder.....	Spring.....			
8	1	1	1	1111-9035-01	Höjdinställning sats.....	Height adjust kit.....		Inkl. pos 5, 8	
8	1	1	1	1111-1589-01	• Fjäder- vä.....	• Height adj.spring- L.H.....			
8	1	1	1	1111-1589-02	• Fjäder- hö.....	• Height adj.spring- R.H.....		Ej ill/not ill.	
9	1	1	1	1111-3312-01	Hjulaxel.....	Wheel axle.....			
10	2	2	2	9699-0037-02	Bricka.....	Washer.....		13x24x2	
13	1	1	1	1111-2910-01	Svängarm- hö.....	Wheel mounting- R.H.....		Ej ill/not ill.	
13	1	1	1	1111-2911-01	Svängarm- vä.....	Wheel mounting- L.H.....			
14	2	2	2	1111-2909-01	• Glidlager.....	• Bearing.....			
15	1	1	1	1111-2549-01	• Plastknopp.....	• Plastic knob.....			
16	2	2	2	1111-2665-01	Hjul kpl.....	Wheel assy.....			
17	2	2	2	1111-3296-01	• Kullager.....	• Ball bearing.....			
18	2	2	2	9943-0610-16	Skruv.....	Screw.....			
19	2	2	2	1111-3395-01	Täckplåt.....	Cover plate.....			
20	2	2	2	9943-0612-16	Skruv.....	Screw.....			
21	2	2	2	9699-0060-02	Planbricka.....	Flat washer.....		6.4x18x2.0	
22	2	2	2	9699-0100-02	Bricka.....	Washer.....		6.5x22x1.5	
23	2	2	2	9699-0037-02	Bricka.....	Washer.....		13x24x2	
24	2	2	2	1111-1138-01	Fjäder.....	Spring.....			

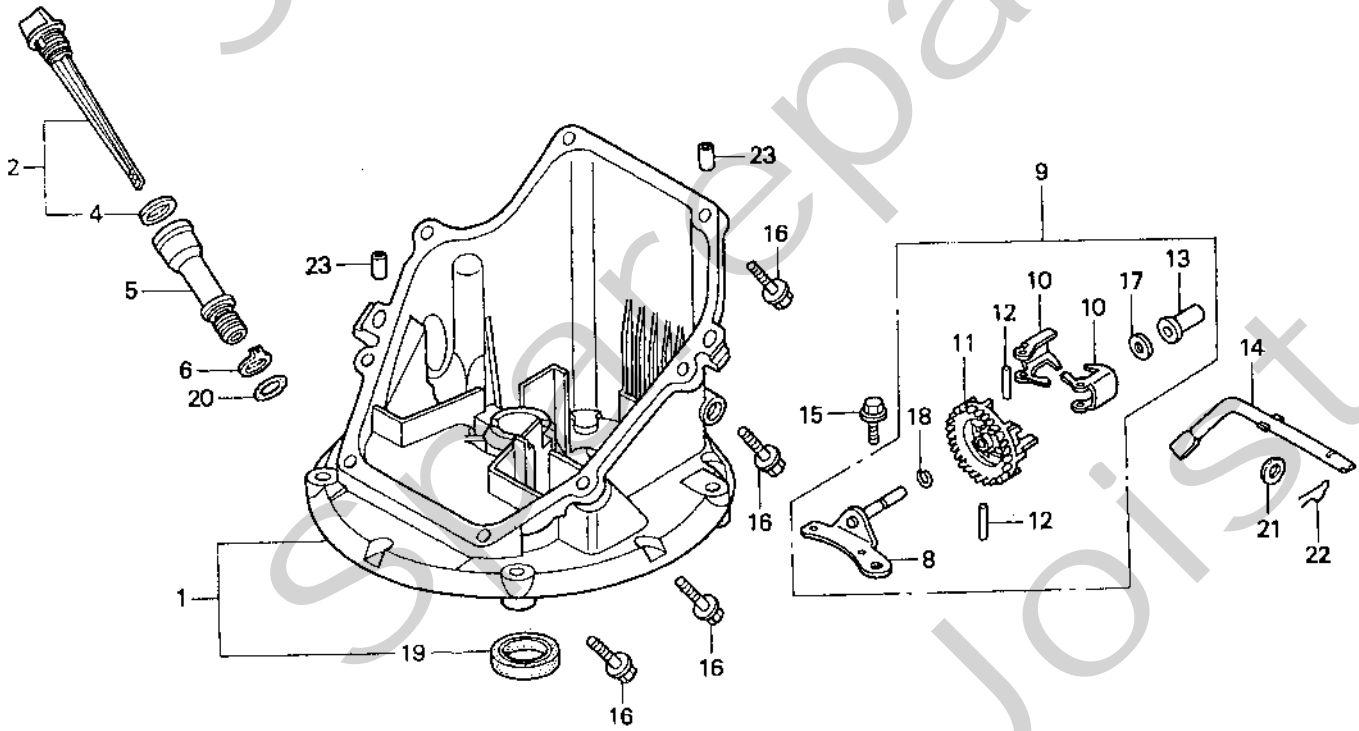


Utgåva Issue 2003-43		Bildnr Picture No 1557		MULTICLIP 46SE ELSTART		MULTICLIP 46SE ELECTRIC STARTER		Sida Page 30	
Pos. Fig.	Antal/Quantity			Art nr Part No	Benämning	Description	Sats Kit	Anmärkning Notes	
	3698 -57 -67								
X 1	2			9838-9540-12	Skruv .....	Screw .....			
2	1			1111-3558-01	Batteri .....	Battery .....			
3	2			9865-0580-16	Skruv .....	Screw .....			
4	2			9693-0004-02	Bricka .....	Washer .....			
5	2			9739-0531-22	Mutter .....	Nut .....			
6	1			1111-2018-01	Kabelhållare .....	Cable holder .....			
7	1			9836-9216-12	Skruv .....	Screw .....			
8	1			9400-0219-00	Batteriladdare .....	Charger .....			
9	1			1111-3382-01	Hölje .....	Cover .....			
10	1			1111-2020-01	Hus .....	Housing .....			
11	1			1111-2021-01	Lock .....	Cover .....			
12	1			1111-3360-02	Kabelhärva .....	Harness .....			
13	1			9400-0186-00	Tändningslås kpl. ....	Starting switch assy .....			
13A	1			1134-2848-01	Tändningsnyckel .....	Ignition key .....			
14	1			9838-9216-12	Skruv .....	Screw .....			

A

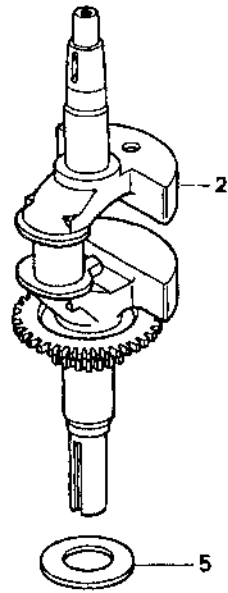


B

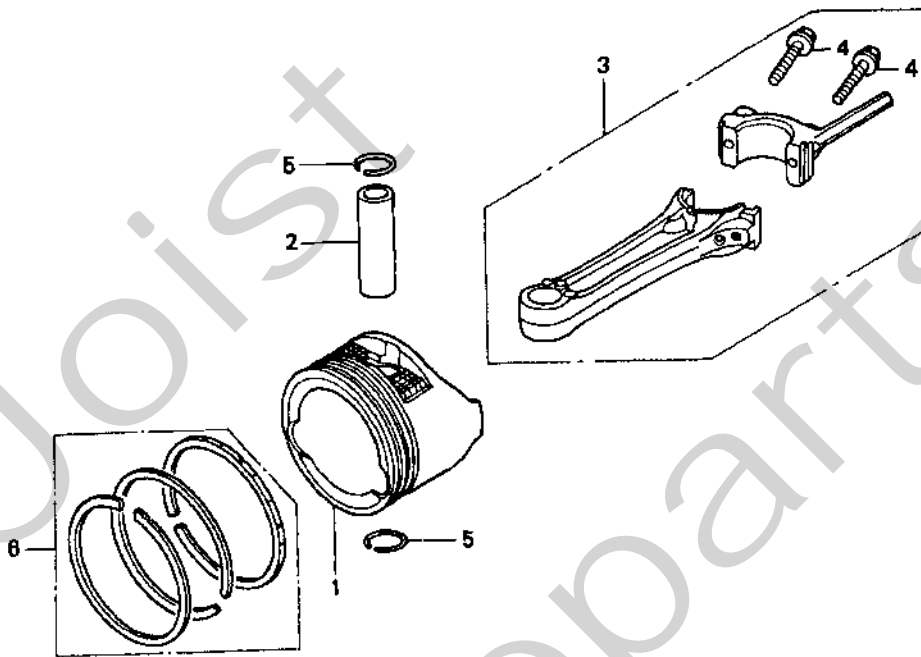


Utgåva Issue		Bildnr Picture No		HONDA GCV 135, 160 CYLINDER VEVHUS		HONDA GCV 135, 160 CYLINDER CRANKCASE		Sida Page
2003-43		956A						390
Pos. Fig.	Anta/Quantity			Art nr Part No	Benämning	Description	Sats Kit	Anmärkning Notes
	GCV 135 A2G7	GCV 160 A2G7						
X	A01		1	12000ZL8415	Cylinder .....	Cylinder .....		Champion RN9YC
X	A01	1		12000ZL9415	Cylinder .....	Cylinder .....		
	A02	1	1	12216ZE5300	• Låsring .....	• Clip .....		
	A03	1	1	12311ZL8000	Lock .....	Cover .....		
	A04	1	1	12355ZL8000	Lock .....	Cover .....		
	A05	4	4	90013883000	Bult .....	Boit .....		
	A06	1	1	90014952000	Bult .....	Bolt .....		
	A07	1	1	91201ZL8003	• Tättningsring .....	• Oil seal .....		
	A08	1	1	9400-0289-01	Tändstift .....	Spark plug .....		
X	B01	1	1	11300ZM0811	Vevhus .....	Oil pan .....		
	B02	1	1	15650ZM0801	Oljesticka .....	Oil dipstick .....		
	B04	1	1	15625ZE6000	• Packning .....	• Gasket .....		
	B05	1	1	15631ZM0000	Oljepåfyllningsrör .....	Oil filler extension .....		
	B06	1	1	15639ZM0000	Bricka .....	Washer .....		
X	B08	1	1	16508ZM0010	• Axel .....	• Shaft .....		
X	B09	1	1	16510ZM0010	Regulator kpl .....	Governor assy .....		
	B10	2	2	16511ZL8000	• Vikt .....	• Weight .....		
	B11	1	1	16512ZM0000	• Vikthållare .....	• Weight holder .....		
	B12	2	2	16513ZE1000	• Stift .....	• Pin .....		
	B13	1	1	16531ZE1000	• Glidhylsa .....	• Slider .....		
	B14	1	1	16541ZM0000	Regulatorarm .....	Shaft .....		
	B15	1	1	90014952000	Bult .....	Boit .....		
	B16	8	8	90121952000	Bult .....	Boit .....		
	B17	1	1	90451ZE1000	• Bricka .....	• Washer .....		
	B18	1	1	90602ZE1000	• Låsring .....	• Clip .....		
	B19	1	1	91202ZL8003	• Tättningsring .....	• Oil seal .....		
X	B20	1	1	91303ZM0003	O-ring .....	O-ring .....		
	B21	1	1	9410106800	Bricka .....	Washer .....		
	B22	1	1	9425108000	Låspinne .....	Lock pin .....		
	B23	2	2	9430108200	Styrpinne .....	Dowel pin .....		

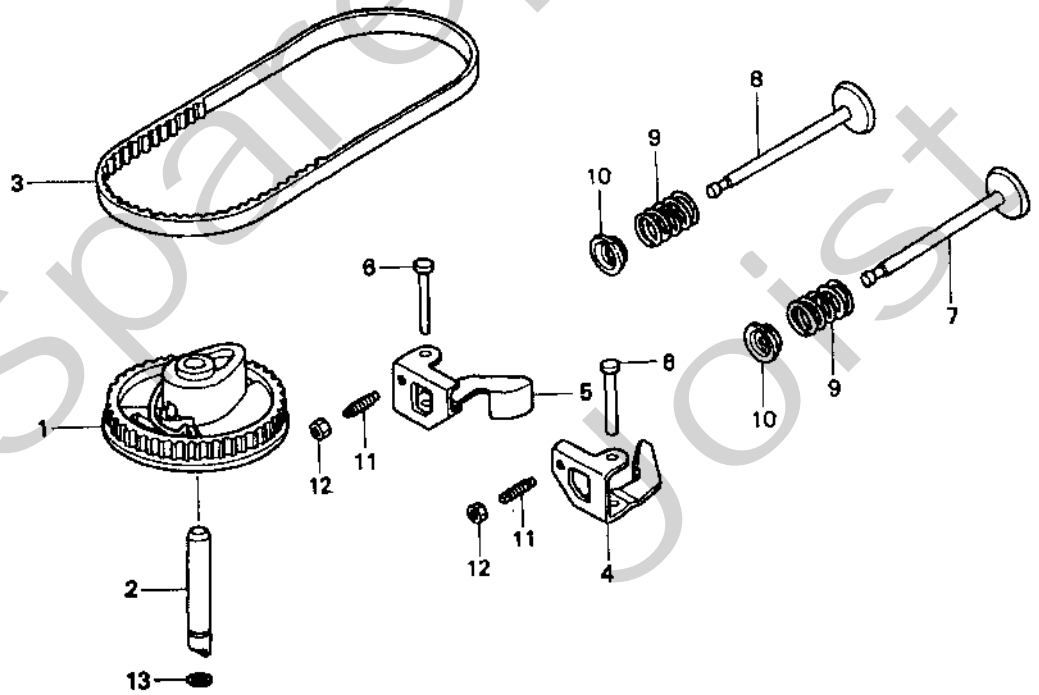
A



B

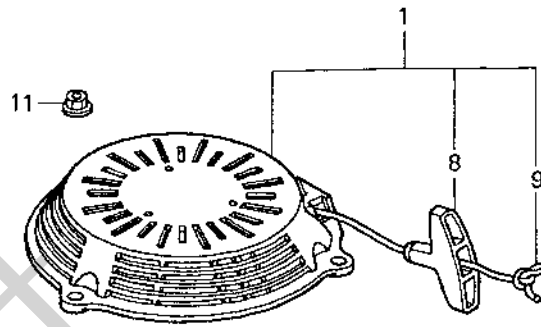


C

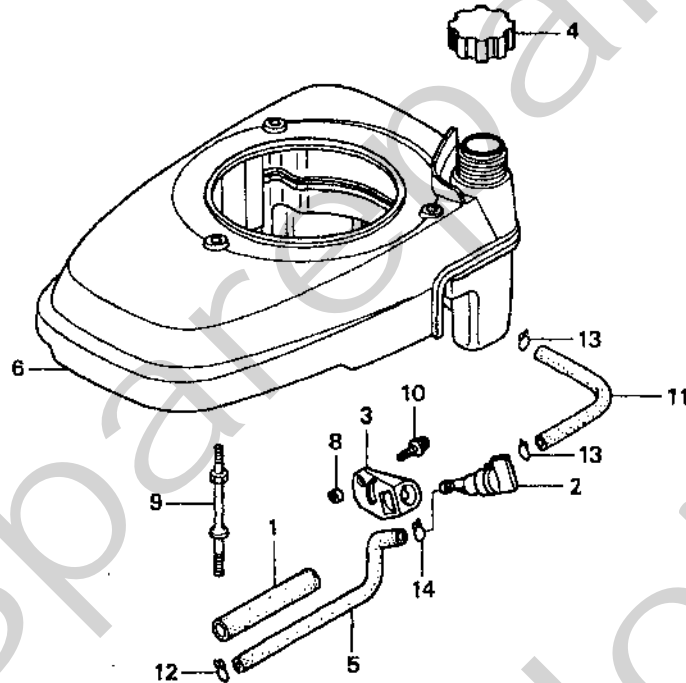


Utgåva Issue		Bildnr Picture No		HONDA GCV 135, 160 VEVAXEL KAMAXEL		HONDA GCV 135, 160 CRANKSHAFT CAMSHAFT		Sida Page
2003-43		957						392
Pos. Fig.	Antal/Quantity			Art nr Part No	Benämning	Description	Sats Kit	Anmärkning Notes
	GCV 135 A2G7	GCV 160 A2G7						
A02		1		13310ZM0600	Vevaxel .....	Crankshaft .....		
A02	1			13310ZM1600	Vevaxel .....	Crankshaft .....		
A05	1	1		90402ZL8000	Bricka .....	Washer .....		
B01	1	1		13101ZL8000	Kolv .....	Piston .....		
B02	1	1		13111ZE0000	Kolvbult .....	Piston pin .....		
B03		1		13200ZL8000	Vevstake .....	Connecting rod .....		
B03	1			13200ZL9000	Vevstake .....	Connecting rod .....		
B04	2	2		90001ZE1000	Bult .....	Bolt .....		
B05	2	2		90551ZE0000	Låsring .....	Clip .....		
X B06	1	1		13010ZL8014	Kolvringssats .....	Ring set .....		Teikoku
C01	1	1		14320ZL8000	Remskiva .....	Pulley .....		
C02	1	1		14324ZL8000	Axel .....	Shaft .....		
C03		1		14400ZL8003	Kamrem .....	Belt .....		
C03	1			14400ZL9003	Kamrem .....	Belt .....		
C04	1	1		14431ZL8000	Vipparm- insug .....	In. valve rocker arm .....		
C05	1	1		14441ZL8000	Vipparm- utblås .....	Ex. valve rocker arm .....		
C06	2	2		14461ZL8000	Axel .....	Shaft .....		
C07	1	1		14711ZL8000	Insugningsventil .....	Intake valve .....		
C08	1	1		14721ZL8000	Utblåsningsventil .....	Exhaust valve .....		
C09	2	2		14751ZL8000	Ventilfjäder .....	Valve spring .....		
C10	2	2		14771ZE1000	Ventilfjäderhållare .....	Valve spring retainer .....		
C11	2	2		90012333000	Justerskruv .....	Adjusting screw .....		
X C12	2	2		90206001000	Mutter .....	Nut .....		
C13	1	1		91301Z0M003	O-ring .....	O-ring .....		

A



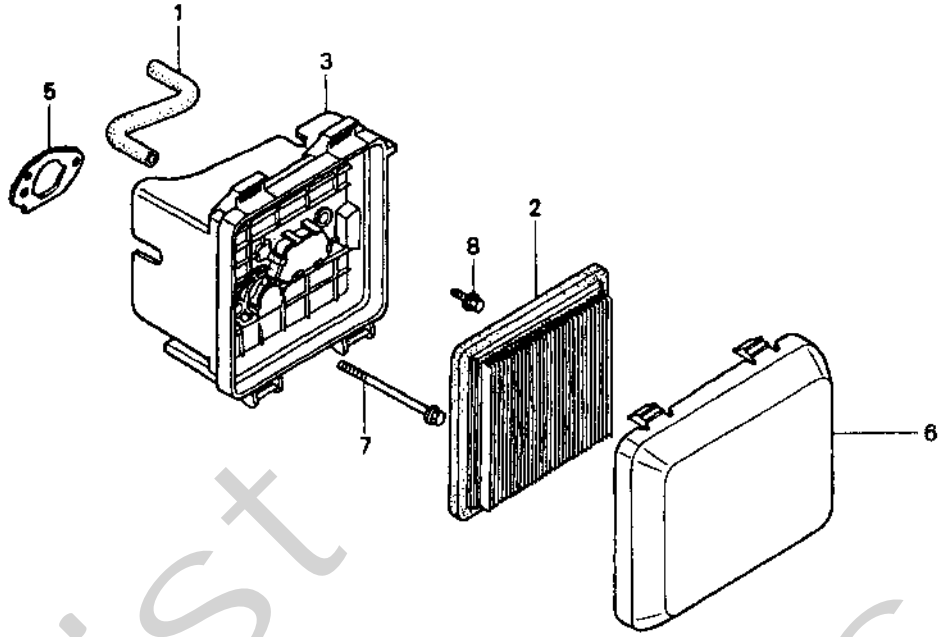
B



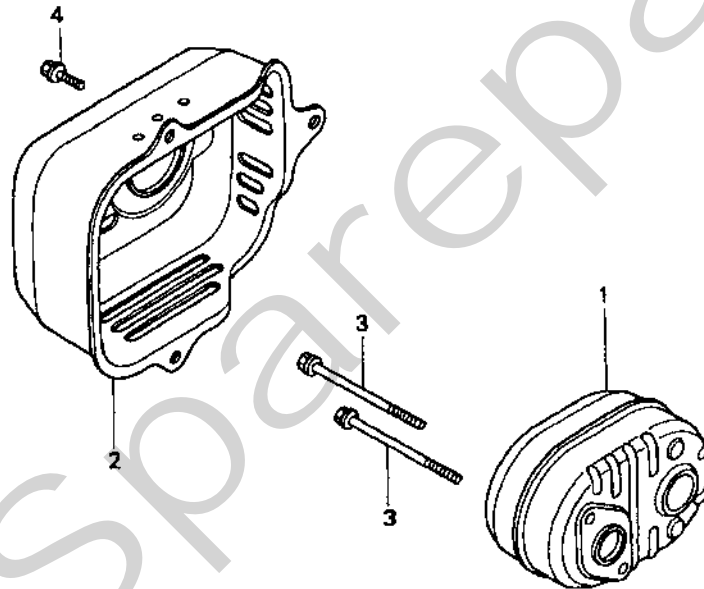


Utgåva Issue		Bildnr Picture No		HONDA GCV 135, 160 START BRÄNSLETANK		HONDA GCV 135, 160 RECOIL STARTER FUEL TANK		Sida Page
2003-43		958						394
Pos. Fig.	Antal/Quantity			Art nr Part No	Benämning	Description	Sats Kit	Anmärkning Notes
	GCV 135 A2G7	GCV 160 A2G7						
X	A01A	1	1	28400ZM0632	Start kpl.....	Starter assy.....		ZA *NH1* black
X	A01B	1	1	28400ZM0632	Start kpl.....	Starter assy.....		ZB *R8* red
	A08	1	1	28461ZL8003	• Handtag.....	• Grip.....		
	A09	1	1	28462ZL8631	• Startsnöre.....	• Starter rope.....		
	A11	3	3	90201ZM0000	Mutter.....	Nut.....		
	B01	1	1	16854ZH8000	Gummistöd.....	Rubber supporter.....		
	B02	1	1	16950ZG9M02	Bensinkran.....	Fuel cock.....		
	B03	1	1	16956ZM0000	Fäste.....	Bracket.....		
X	B04	1	1	17620ZL8013	Tanklock.....	Fuel tank cap.....		
	B05	1	1	17702ZM0000	Bränslerör.....	Fuel tube.....		
X	B06A		1	19610ZM0010	Bränsletank.....	Fuel tank.....		ZA *NH1* black
X	B06B		1	19610ZM0010	Bränsletank.....	Fuel tank.....		ZB *R8* red
X	B06C	1		19610ZM1010	Bränsletank.....	Fuel tank.....		ZA *NH1* black
X	B06D	1		19610ZM1010	Bränsletank.....	Fuel tank.....		ZB *R8* red
	B08	1	1	33609GK4620	Hylsa.....	Collar.....		
	B09	3		90041ZL9000	Pinnbult.....	Stud bolt.....		
	B09		3	90043ZL8000	Pinnbult.....	Stud bolt.....		
	B10	1	1	938910501008	Skruv.....	Screw.....		
	B11	1	1	950015513540	Bränslerör.....	Fuel tube.....		5.3 x 135
	B12	1	1	9500202080	Slangklämma.....	Tube clip.....		
	B13	2	2	9500202100	Slangklämma.....	Tube clip.....		
	B14	1	1	9500250000	Slangklämma.....	Tube clip.....		

A



B

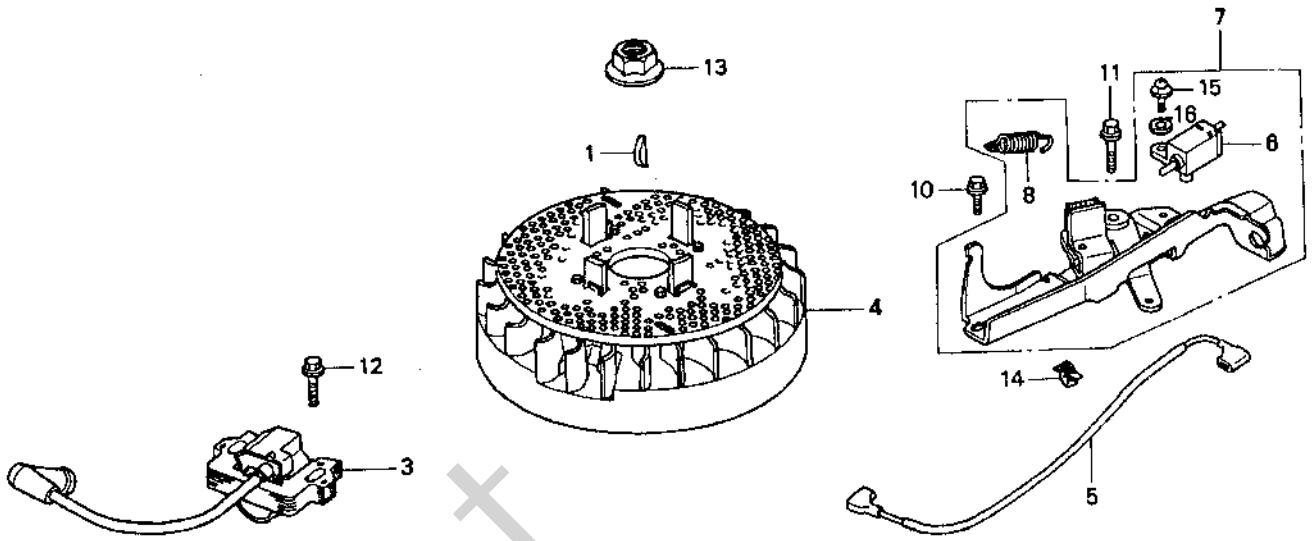


Utgåva Issue 2003-43		Bildnr Picture No 959		HONDA GCV 135, 160 LUFFFILTER LJUDDÄMPARE		HONDA GCV 135, 160 AIR CLEANER MUFFLER		Sida Page 396
Pos. Fig.	Antal/Quantity			Art nr Part No	Benämning	Description	Sats Kit	Anmärkning Notes
	GCV 135 A2G7	GCV 160 A2G7						
A01		1		15721ZM0000	Ventilationsrör .....	Breather tube .....		
A01	1			15721ZM1000	Ventilationsrör .....	Breather tube .....		
A02	1	1		17211ZL8003	Filterelement .....	Air cleaner element .....		
A03	1	1		17220ZM0000	Luftrenarhus .....	Air cleaner case .....		
A05	1	1		17228ZM0000	Packning .....	Gasket .....		
A06	1	1		17231ZM0000	Kåpa .....	Cover .....		
A07	2	2		90003ZM0000	Bult .....	Bolt .....		
A08	1	1		957010601408	Bult .....	Bolt .....		
B01	1	1		18310ZM0000	Ljuddämpare .....	Muffler .....		
B02	1	1		18321ZL8000	Skydd .....	Protector .....		
B03	2	2		90004ZL8000	Bult .....	Bolt .....		
B04	3	3		90013883000	Bult .....	Bolt .....		

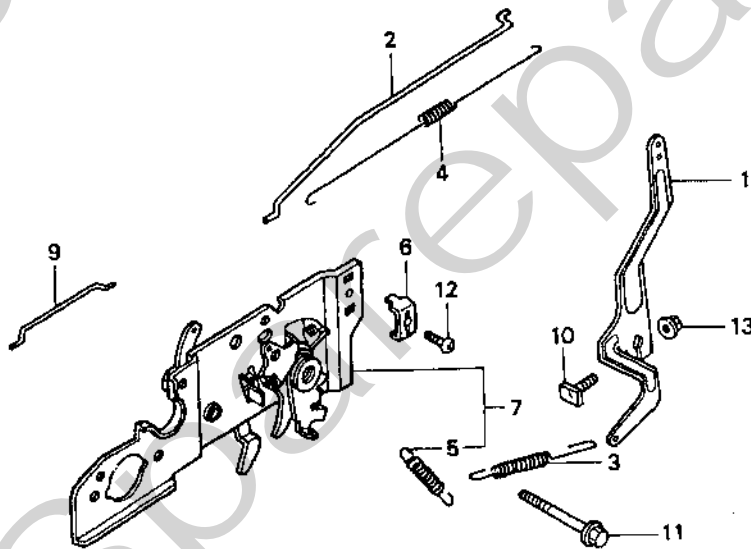
X

Joist Spareparts

A

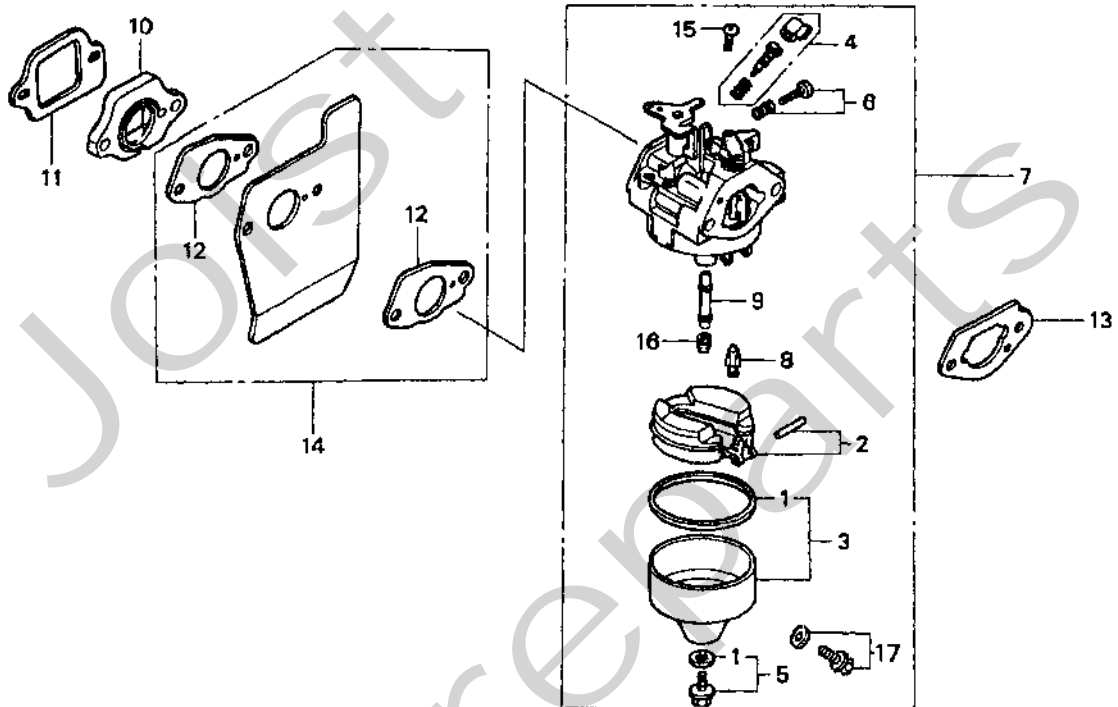


B



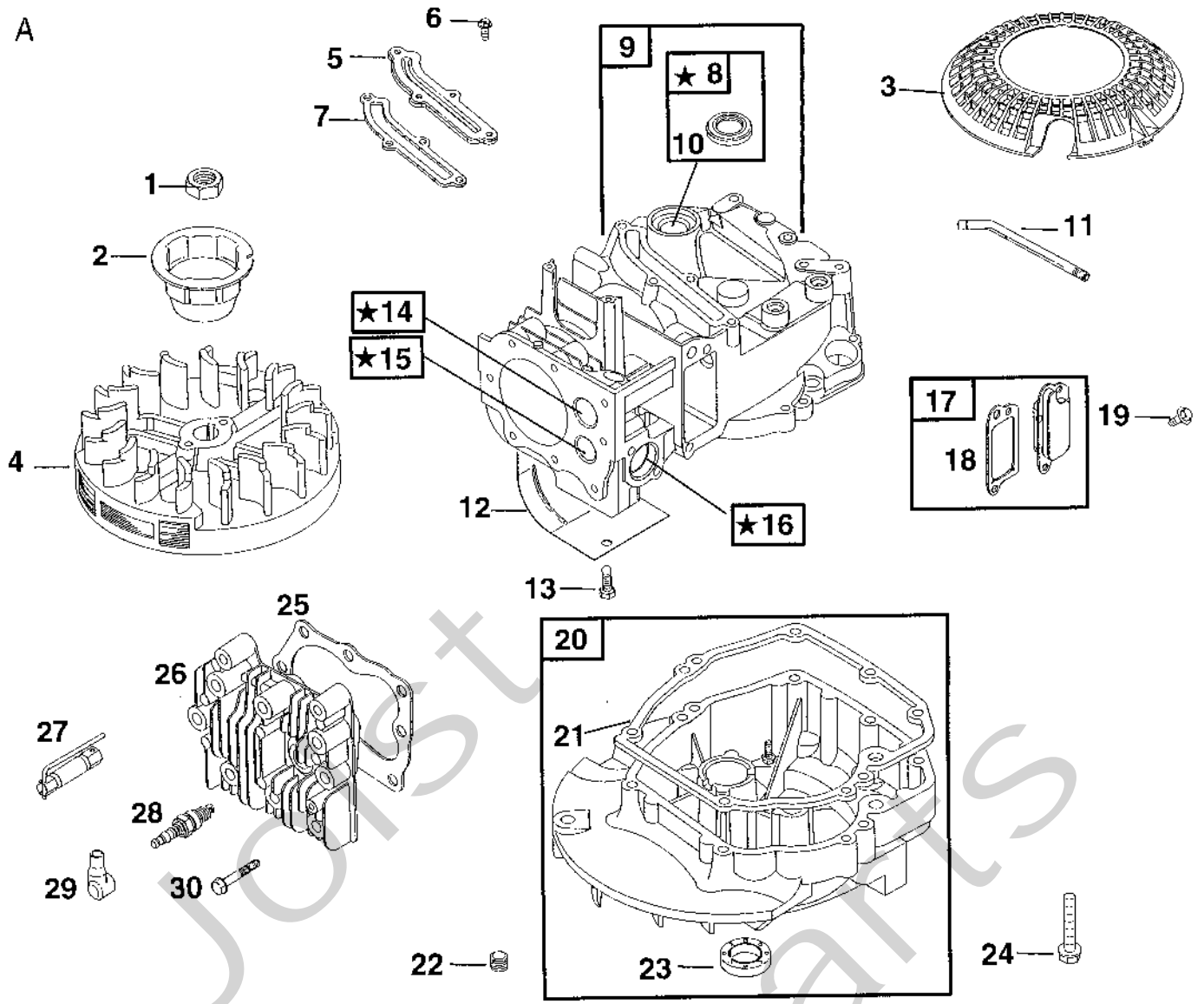
Utgåva Issue		Bildnr Picture No		HONDA GCV 135, 160 SVÄNGHJUL REGULATOR		HONDA GCV 135, 160 FLYWHEEL CONTROL		Sida Page
2003-43		960						398
Pos. Fig.	Antal/Quantity			Art nr Part No	Benämning	Description	Sats Kit	Anmärkning Notes
	GCV 135 A2G7	GCV 160 A2G7						
A01	1	1		13331357000	Key	Key		
A03	1	1		30500ZL8004	Tändspole	Ignition coil		
A04		1		31105ZM0000	Svängjul	Flywheel		
A04	1			31105ZM1000	Svängjul	Flywheel		
A05	1	1		32195ZM0000	Kabel	Cord		
A06	1	1		35120ZM0003	• Stoppkontakt	• Stop switch		
A07	1	1		75100ZM0000	Broms kpl	Brake assy		
A08	1	1		75113ZM0000	• Fjäder	• Spring		
A10	1	1		90014952000	Bult	Bolt		
A11	1	1		90018ZE1000	Bult	Bolt		
A12	1	1		90022888010	Bult	Bolt		
A13	1	1		90201878003	Mutter	Nut		
A14	1	1		90681959003	Kabelklämma	Cable clip		
A15	1	1		938920401200	• Skruv	• Screw		
A16	1	1		9410304000	• Bricka	• Washer		
X B01	1	1		16551ZM0010	Regulatorarm	Governor arm		
B02		1		16555ZM0000	Regulatorlänk	Governor rod		
B02	1			16555ZM1000	Regulatorlänk	Governor rod		
B03		1		16561ZM0000	Regulatorfjäder	Governor spring		
B03	1			16561ZM1000	Regulatorfjäder	Governor spring		
B04		1		16562ZM0000	Returfjäder	Return spring		
B04	1			16562ZM1000	Returfjäder	Return spring		
B05	1	1		16576ZE7300	• Fjäder	• Lever spring		
B06	1	1		16576891000	Kabelhållare	Cable holder		
X B07	1	1		16580ZM0020	Reglageplatta	Control base		
B09	1	1		16674ZM0000	Chokelänk	Choke rod		
B10	1	1		90015ZE5010	Bult	Bolt		
B11	1	1		90016ZM0000	Bult	Bolt		
B12	1	1		93500050160A	Skruv	Screw		
B13	1	1		9405006000	Mutter	Nut		

A

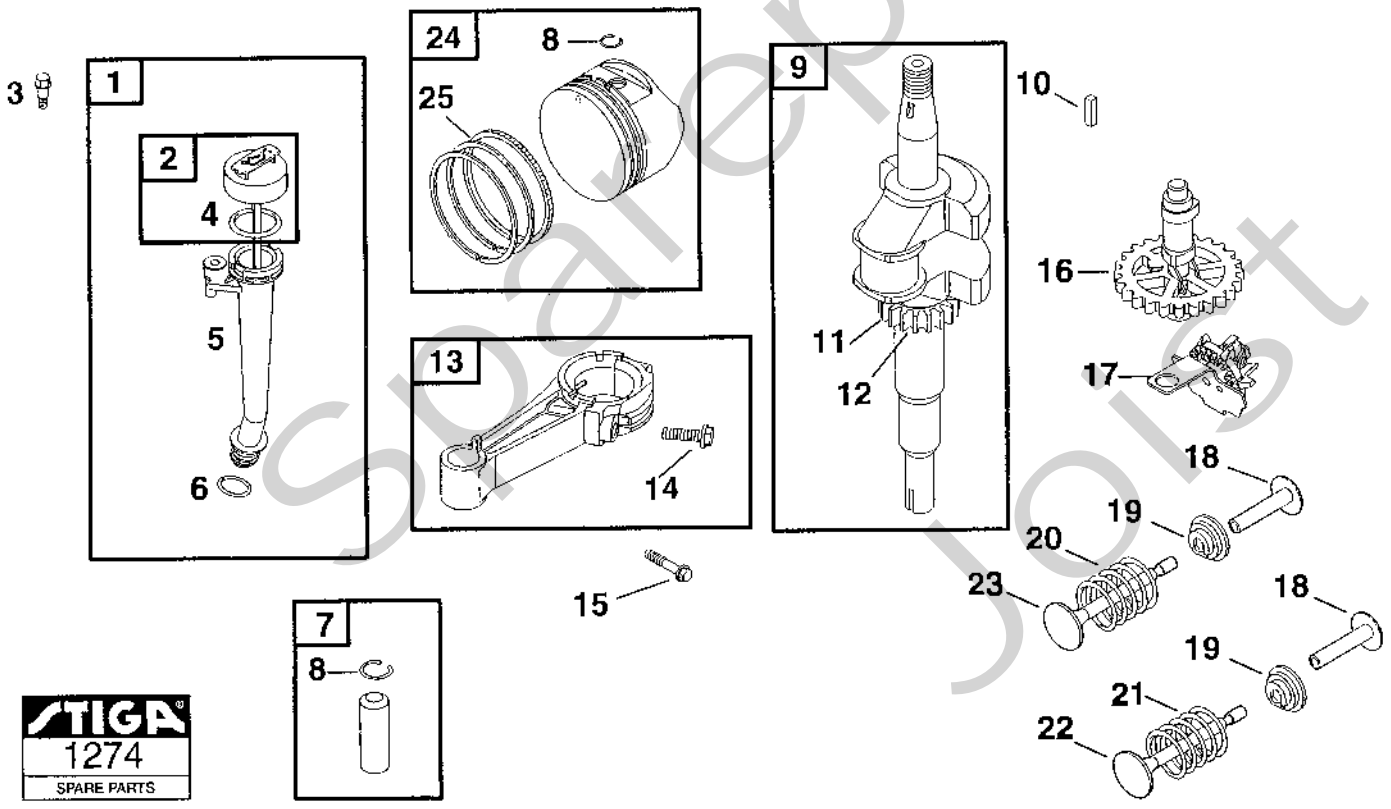


Utgåva Issue		Bildnr Picture No		HONDA GCV 135, 160 FÖRGASARE		HONDA GCV 135, 160 CARBURETTDR		Sida Page	
2003-43		961A						400	
Pos. Fig.	Antal/Quantity			Art nr Part No	Benämning	Description	Sats Kit	Anmärkning Notes	
	GCV 135 A2G7	GCV 160 A2G7							
	A01	1	1	16010883015	• • Packningssats .....	• • Gasket set .....			
	A02	1	1	16013ZL1003	• Flottörsats .....	• Float set .....			
X	A03	1	1	16015887782	• Flottörhus .....	• Float chamber .....			
X	A04	1	1	16016ZG0W00	• Justerskruv .....	• Set screw .....			
	A05	1	1	16028ZE0005	• Skruv .....	• Screw .....			
	A06	1	1	16029ZG0901	• Justerskruv .....	• Set screw .....			
X	A07		1	16100ZM0803	Förgasare kpl .....	Carburettor assy .....		BB62B D	
X	A07	1		16100ZM1822	Förgasare kpl .....	Carburettor assy .....		BB64F A	
	A08	1	1	16155ZM0003	• Ventil .....	• Valve .....			
	A09		1	16166ZM0003	• Munstycke .....	• Main nozzle .....			
	A09	1		16166ZM1003	• Munstycke .....	• Main nozzle .....			
	A10	1	1	16211ZL8000	Isolator .....	Insulator .....			
	A11	1	1	16212ZL8000	Packning .....	Gasket .....			
	A12	1	1	16221883800	• Packning .....	• Gasket .....			
	A13	1	1	16228ZL8000	Packning .....	Gasket .....			
	A14	1	1	19650ZM0000	Luftplåt .....	Air guide .....			
	A15	1	1	93500050061H	• Skruv .....	• Screw .....			
	A16	1		991011240580	• Munstycke .....	• Main jet .....		#58	
	A16	1	1	991011240600	• Munstycke .....	• Main jet .....		#60	
	A16	1	1	991011240620	• Munstycke .....	• Main jet .....		#62	
	A16	1	1	991011240650	• Munstycke .....	• Main jet .....		#65	
X	A17	1	1	16024ZE1811	• Dräneringsskruv .....	• Drain screw .....			

A



B



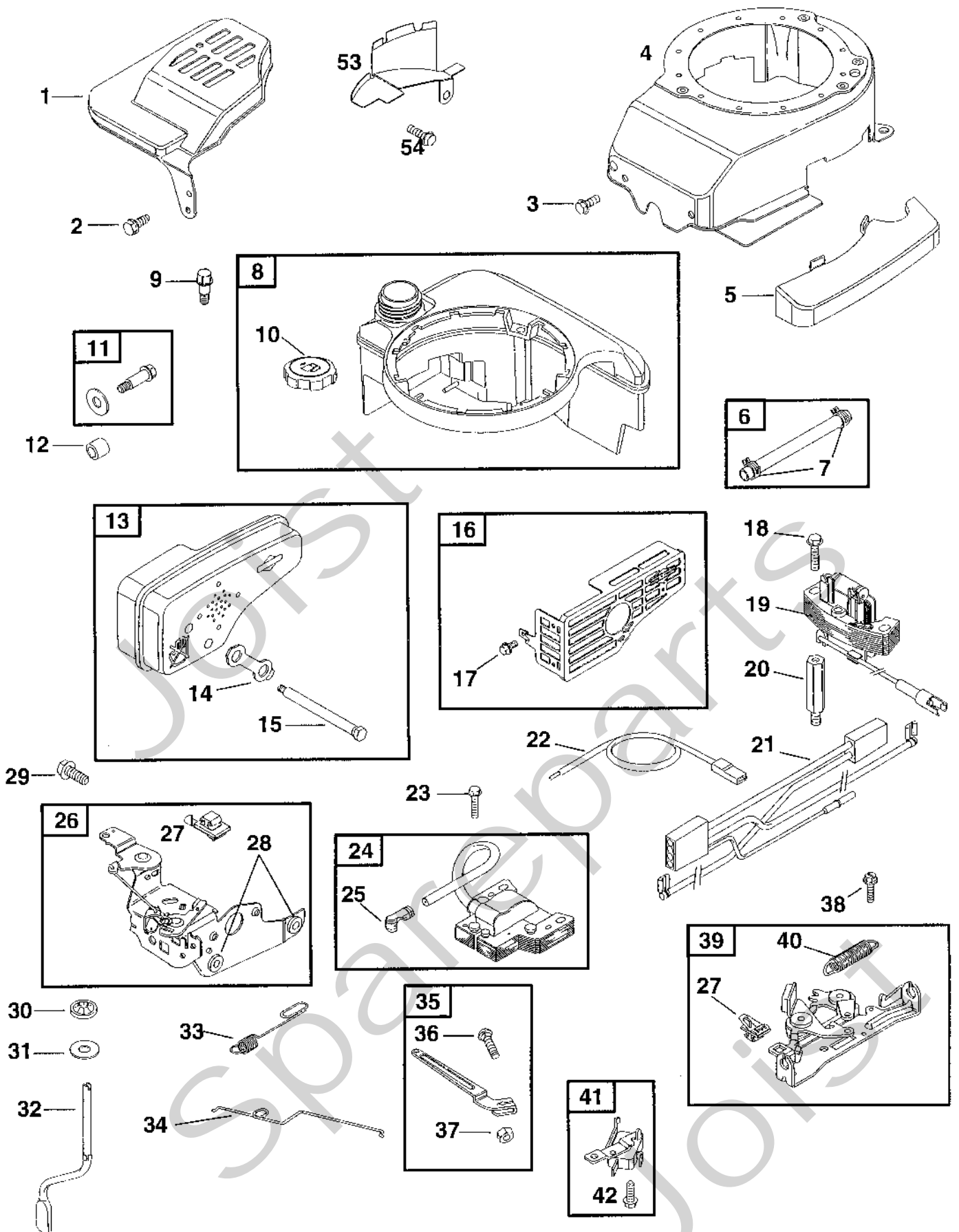
**STIGA**  
1274  
SPARE PARTS



Utgåva Issue		Bildnr Picture No		BRIGGS & STRATTON 12H802, 12H807 CYLINDER VEVAXEL		BRIGGS & STRATTON 12H802, 12H807 CYLINDER CRANKSHAFT		Sida Page	
2003-43		1274						352	
Pos. Fig.	Antal/Quantity			Art nr Part No	Benämning	Description	Sats Kit	Anmärkning Notes	
	12H 802- 1935	12H 807- 1936	12H 802- 1966						
A01	1	1	1	690662	Mutter.....	Flywheel nut.....			
A02	1	1	1	695161	Svånghjuls kopp.....	Flywheel cup.....			
A03	1	1	1	691919	Skydd.....	Rewind guard.....			
A04		1		691987	Svånghjul.....	Flywheel.....			
A04	1		1	692315	Svånghjul.....	Flywheel.....			
A05	1	1	1	692342	Lock.....	Cover.....			
A06	4	4	4	690345	Skruv.....	Screw.....			
A07	1	1	1	691879	Packning.....	Gasket.....			
A08	1	1	1	399269	• Bussning.....	• Bushing.....			
A09	1	1	1	697322	Cylinder kpl.....	Cylinder Assy.....			
A10	1	1	1	299819	Tätningring.....	Oil seal.....			
A11			1	499675	Ventilationsrör.....	Breather tube.....			
A11	1	1		691781	Ventilationsrör.....	Breather tube.....			
A12	1	1	1	690450	Cylinderskydd.....	Cylinder shield.....			
A13	1	1	1	690345	Skruv.....	Screw.....			
A14	1	1	1	691155	• Ventilåte- insug.....	• Valve seat- intake.....			
A15	1	1	1	690380	• Ventilåte- utblås.....	• Valve seat- exhaust.....			
A16	1	1	1	262001	• Ventilstyrning- utblås.....	• Valve guide- exhaust.....			
A16	1	1	1	63709	• Ventilstyrning- insug.....	• Guide- intake valve.....			
A17	1	1	1	695250	Vevhusventilation.....	Breather.....			
A18	1	1	1	696125	• Packning.....	• Gasket.....			
A19	2	2	2	691125	Skruv.....	Screw.....			
A20	1	1	1	493279	Vevhus.....	Engine sump.....			
A21	1	1	1	692232	• Packning.....	• Gasket.....			
A22	1	1	1	691680	Oljeavtappningsplugg.....	Oil drain plug.....			
A23	1	1	1	399781	• Tätningring.....	• Oil seal.....			
A24	7	7	7	691092	Skruv.....	Screw.....			
A25	1	1	1	692249	Packning.....	Gasket.....			
A26	1	1	1	691160	Topplöck.....	Cylinder head.....			
A27	1	1	1	1111-9029-01	Tändstiftsnyckel.....	Spark plug wrench.....			
A28	1	1	1	9400-0225-00	Tändstift.....	Spark plug.....		Champion J19LM	
A29	1	1	1	66538	Tändstiftsskydd.....	Spark plug elbow.....			
A30	8	8	8	690912	Skruv.....	Screw.....			
B01	1	1	1	692017	Oljesticka kpl.....	Oil dipstick Assy.....			
B02	1	1	1	495264	• Oljesticka.....	• Oil dipstick.....			
B03	1	1	1	690940	Skruv.....	Screw.....			
B04	1	1	1	691031	• O-ring.....	• O-ring.....			
B05	1	1	1	495265	• Oljepåfyllningsrör.....	• Oil filler tube.....			
B06	1	1	1	692296	• Tätningring.....	• Tube seal.....			
B07	1	1	1	499423	Kolvbult.....	Piston pin.....			
B08	2	2	2	691866	• Låsring.....	• Lock ring.....			
B09	1	1	1	691452	Vevaxel.....	Crankshaft.....			
B10	1	1	1	222698	Kil.....	Key.....			
B11	1	1	1	691830	• Drev.....	• Timing gear.....			
B12	1	1	1	690979	• Kil.....	• Timing key.....			
B13	1	1	1	499424	Vevstake.....	Connecting rod.....			
B14	1	1	1	691664	• Skruv.....	• Screw.....			
B15	1	1	1	695759	Skruv.....	Screw.....			
B16	1	1	1	691449	Kamaxel.....	Camshaft.....			
B17	1	1	1	691997	Oljeslungare.....	Oil slinger.....			
B18	2	2	2	690548	Ventilyftare.....	Valve tappet.....			
B19	2	2	2	692194	Ventilhållare.....	Valve retainer.....			
B20	1	1	1	691270	Ventilfjäder.....	Valve spring.....			
B21	1	1	1	691270	Ventilfjäder.....	Valve spring.....			
B22	1	1	1	262651	Utblåsningsventil.....	Exhaust valve.....			
B23	1	1	1	262652	Insugningsventil.....	Intake valve.....			
B24	1	1	1	499429	Kolv kpl.....	Piston Assy.....		Standard	
B24	1	1	1	499430	Kolv kpl.....	Piston Assy.....		.010" oversize	
B24	1	1	1	499431	Kolv kpl.....	Piston Assy.....		.020" oversize	
B24	1	1	1	499432	Kolv kpl.....	Piston Assy.....		.030" oversize	
B25	1	1	1	499425	• Kolvringsatts.....	• Ring set.....		Standard	
B25	1	1	1	499426	• Kolvringsatts.....	• Ring set.....		.010" oversize	
B25	1	1	1	499427	• Kolvringsatts.....	• Ring set.....		.020" oversize	

X

A

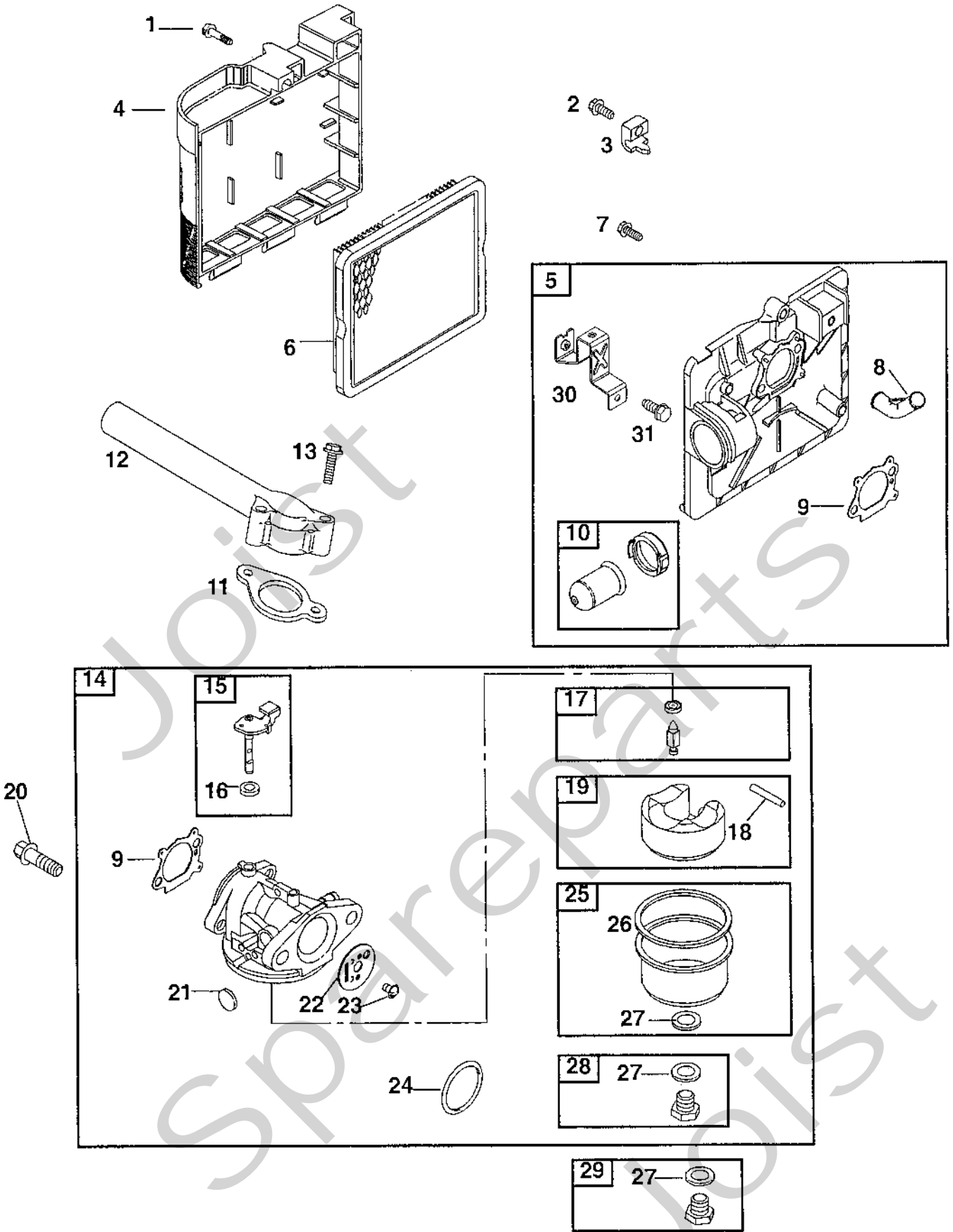


Utgåva Issue		Bildnr Picture No		BRIGGS & STRATTON 12H802, 12H807 BRÄNSLETANK REGULATOR		BRIGGS & STRATTON 12H802, 12H807 FUEL TANK GOVERNOR		Sida Page	
2003-43		1275						354	
Pos. Fig.	Antal/Quantity			Art nr Part No	Benämning	Description	Sats Kit	Anmärkning Notes	
	12H 802- 1935	12H 807- 1936	12H 802- 1966						
A01	1	1	1	691757	Lock.....	Control cover .....			
A02	1	1	1	690664	Skruv .....	Screw .....			
A03	4	4	4	691108	Skruv .....	Screw .....			
A04	1	1	1	493293	Fläkthus .....	Blower housing .....			
A05	1	1	1	690595	Lock.....	Brake cover .....			
A06	1		1	691050	Bränsleslang .....	Fuel line.....			
A06		1		691371	Bränsleslang .....	Fuel line.....			
A07	2	2	2	95162	Slangklämma.....	Hose clamp .....			
A08	1	1	1	495224	Bränsletank.....	Fuel tank .....			
A09	2	2	2	690940	Skruv .....	Screw .....			
A10	1	1	1	397974	• Tanklock .....	• Fuel cap.....			
A11	1	1	1	692311	Skruv/bricka .....	Screw/washer .....			
A12	1	1	1	692294	Distans .....	Spacer .....			
A13	1	1	1	692038	Ljuddämpare .....	Muffler .....			
A14	1	1	1	691740	• Låsbleck .....	• Screw lock .....			
A15	2	2	2	691340	• Skruv .....	• Screw .....			
A16	1	1	1	499034	Skydd .....	Guard .....			
A17	2	2	2	690664	• Skruv .....	• Screw .....			
A18		2		691648	Skruv .....	Screw .....			
A19		1		691991	Generator.....	Alternator .....			
A20		2		691094	Pinnbult .....	Stud .....			
A21		1		696547	Kablage.....	Wiring harness .....			
A22	1	1	1	692390	Stoppkabel.....	Stop wire .....			
A23	2	2	2	691061	Skruv .....	Screw .....			
A24	1	1	1	802574	Tändsystem .....	Magneto armature .....			
A25	1	1	1	493880	• Anslutningshylsa .....	• Terminal .....			
A26	1	1	1	692031	Reglageplåt.....	Control bracket .....			
A27	2	2	2	692310	• Stoppkontakt .....	• Stop switch .....			
A28	1	1	1	493823	• Distans .....	• Spacer .....			
A29	2	2	2	690877	Skruv .....	Screw .....			
A30	1	1	1	690340	Hållare .....	Retainer .....			
A31	1	1	1	690272	Bricka .....	Washer .....			
A32	1	1		691308	Regulatoraxel.....	Governor crank .....			
A32			1	698801	Regulatoraxel.....	Governor crank .....			
A33	1	1	1	691292	Regulatorfjäder.....	Governor spring .....			
A34	1	1	1	691829	Regulatorlänk .....	Governor link .....			
A35	1	1	1	690783	Regulatorarm.....	Govern. control lever .....			
A36	1	1	1	92613	• Skruv .....	• Screw .....			
A37	1	1		231082	• Mutter.....	• Nut .....			
A37			1	691251	• Mutter.....	• Nut .....			
A38	2	2	2	691648	Skruv .....	Screw .....			
A39	1	1	1	691994	Broms.....	Brake .....			
A40	1	1	1	691831	• Bromsfjäder.....	• Brake spring .....			
A41		1		499421	Brytare .....	Switch .....			
A42		1		691627	• Skruv .....	• Screw .....			
A53	1	1	1	694086	Svånghjulsskydd .....	Flywheel guard .....			
A54	1	1	1	691108	Skruv .....	Screw .....			

2 st/includes 2

X

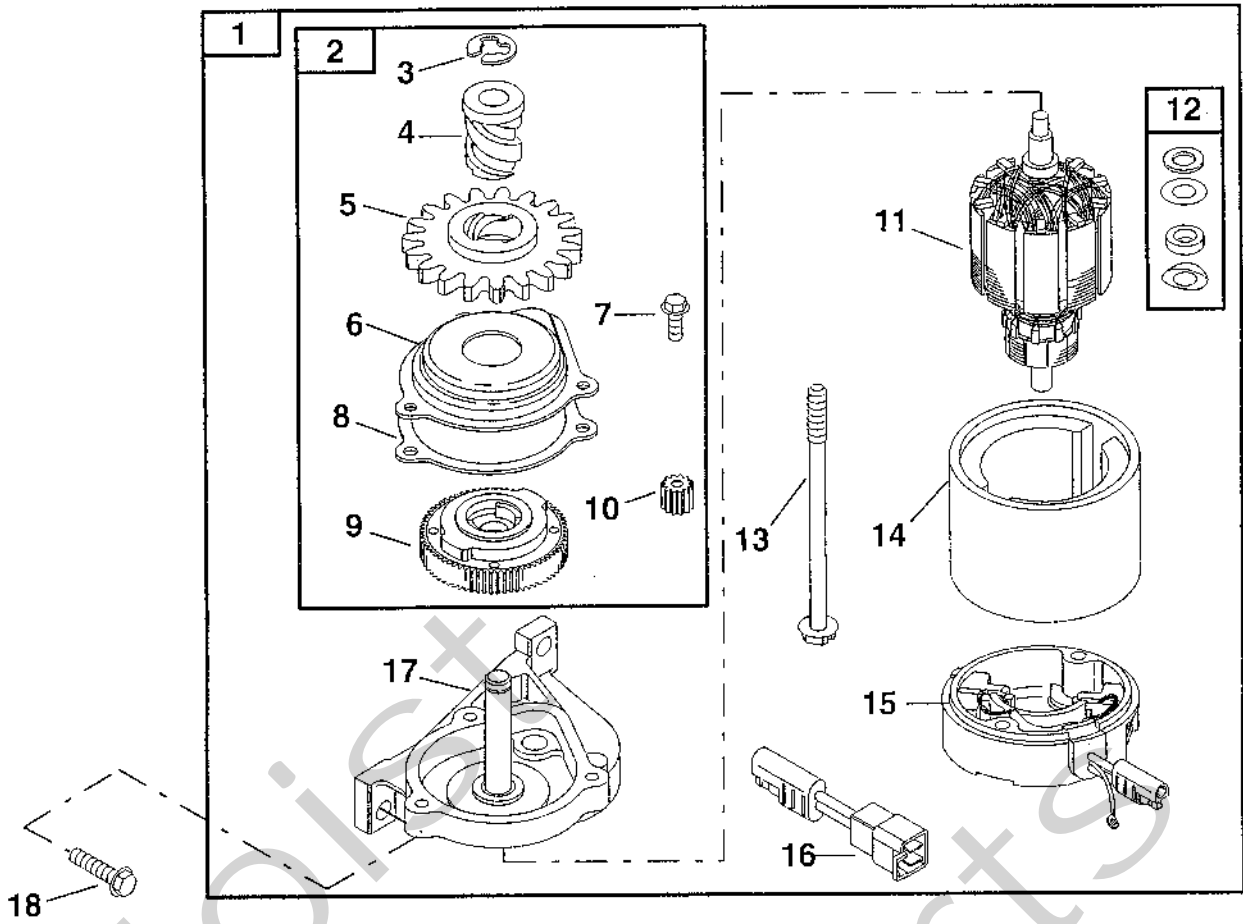
A



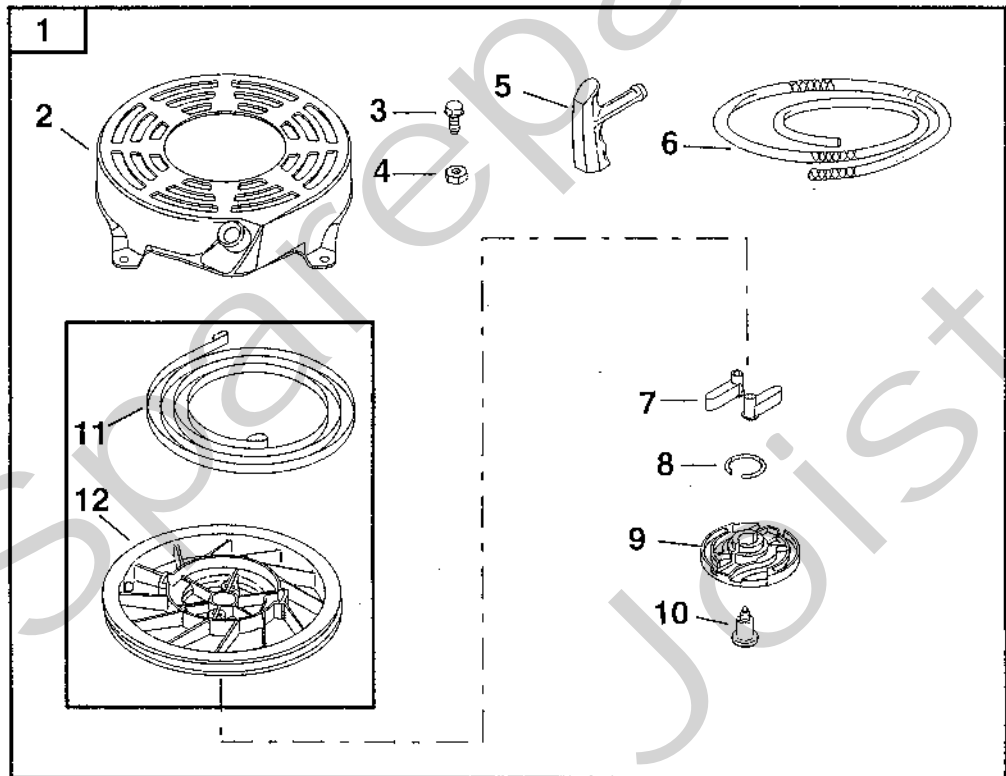
Utgåva Issue		Bildnr Picture No		BRIGGS & STRATTON 12H802, 12H807 LUFTFILTER FÖRGASARE		BRIGGS & STRATTON 12H802, 12H807 AIR CLEANER CARBURETTOR		Sida Page	
2003- 43		1276A						356	
Pos. Fig.	Antal/Quantity			Art nr Part No	Benämning	Description	Sats Kit	Anmärkning Notes	
	12H 802- 1935	12H 807- 1936	12H 802- 1966						
A01	1	1	1	690670	Skruv .....	Screw .....			
A02	1	1	1	691044	Skruv .....	Screw .....			
A03	1	1	1	690798	Wireklämma .....	Casing clamp .....			
A04	1	1	1	692298	Luftrenarlock .....	Air cleaner cover .....			
A05	1	1	1	496116	Luftrenarfäste .....	Air cleaner base .....			
A06	1	1	1	491588	Pappersfilter .....	Air filter .....			
A07	2	2	2	692523	Skruv .....	Screw .....			
A08	1	1	1	691923	• Hylsa .....	• Grommet .....			
A09	1	1	1	272653	• Packning .....	• Gasket .....			
A10	1	1	1	694395	• Primer .....	• Primer .....			
A11	1	1	1	272199	Packning .....	Gasket .....			
A12	1	1	1	497465	Insugningsrör .....	Intake pipe .....			
A13	2	2	2	691650	Skruv .....	Screw .....			
A14	1	1	1	498170	Förgasare kpl .....	Carburettor assy .....			
A15	1	1	1	696565	• Spjällaxel .....	• Throttle shaft .....			
A16	1	1	1	691321	• • Dammtätning .....	• • Dust seal .....			
A17	1	1	1	398188	• Bränslenål .....	• Inlet valve .....			
A18	1	1	1	691242	• • Flottöraxel .....	• • Float hinge pin .....			
A19	1	1	1	398187	• Flottör .....	• Float .....			
A20	2	2	2	692524	Skruv .....	Screw .....			
A21	1	1	1	694468	• Expansionsbricka .....	• Welch plug .....			
A22	1	1	1	696564	• Gasspjäll .....	• Throttle valve .....			
A23	1	1	1	691636	• Skruv .....	• Screw .....			
A24	1	1	1	270344	• Tätning .....	• Seal .....			
A25	1	1	1	493640	• Flottörhus .....	• Bowl .....			
A26	1	1	1	693981	• • Packning .....	• • Gasket .....			
A27	1	1	1	271716	• Tätningsbricka .....	• Sealing washer .....			
A28	1	1	1	498978	• Huvudmunstycke .....	• Main jet .....			
A29	1	1	1	497466	Huvudmunstycke .....	Main jet .....			
A30	1	1	1	691753	• Fäste .....	• Bracket .....			
A31	1	1	1	691669	• Skruv .....	• Screw .....			

Standard  
High altitude

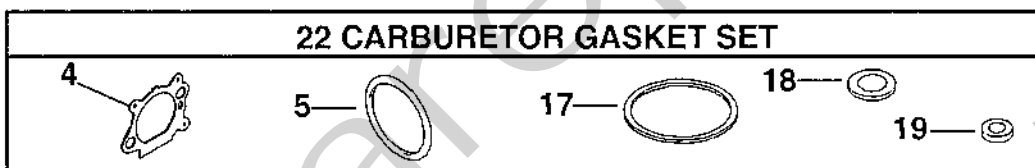
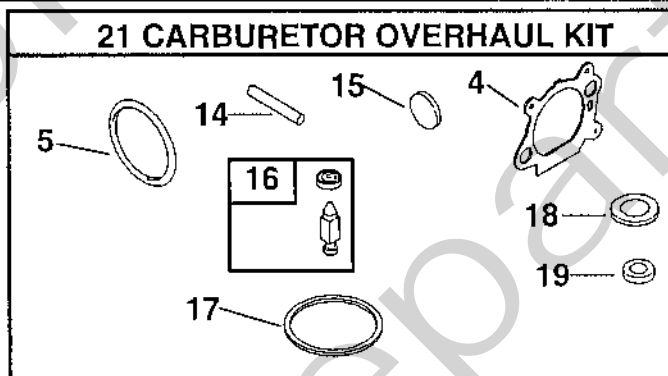
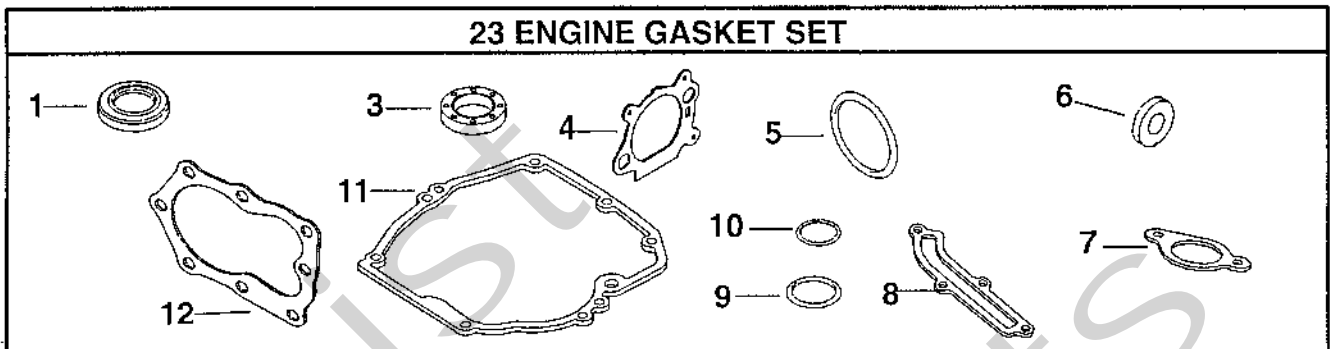
A



B

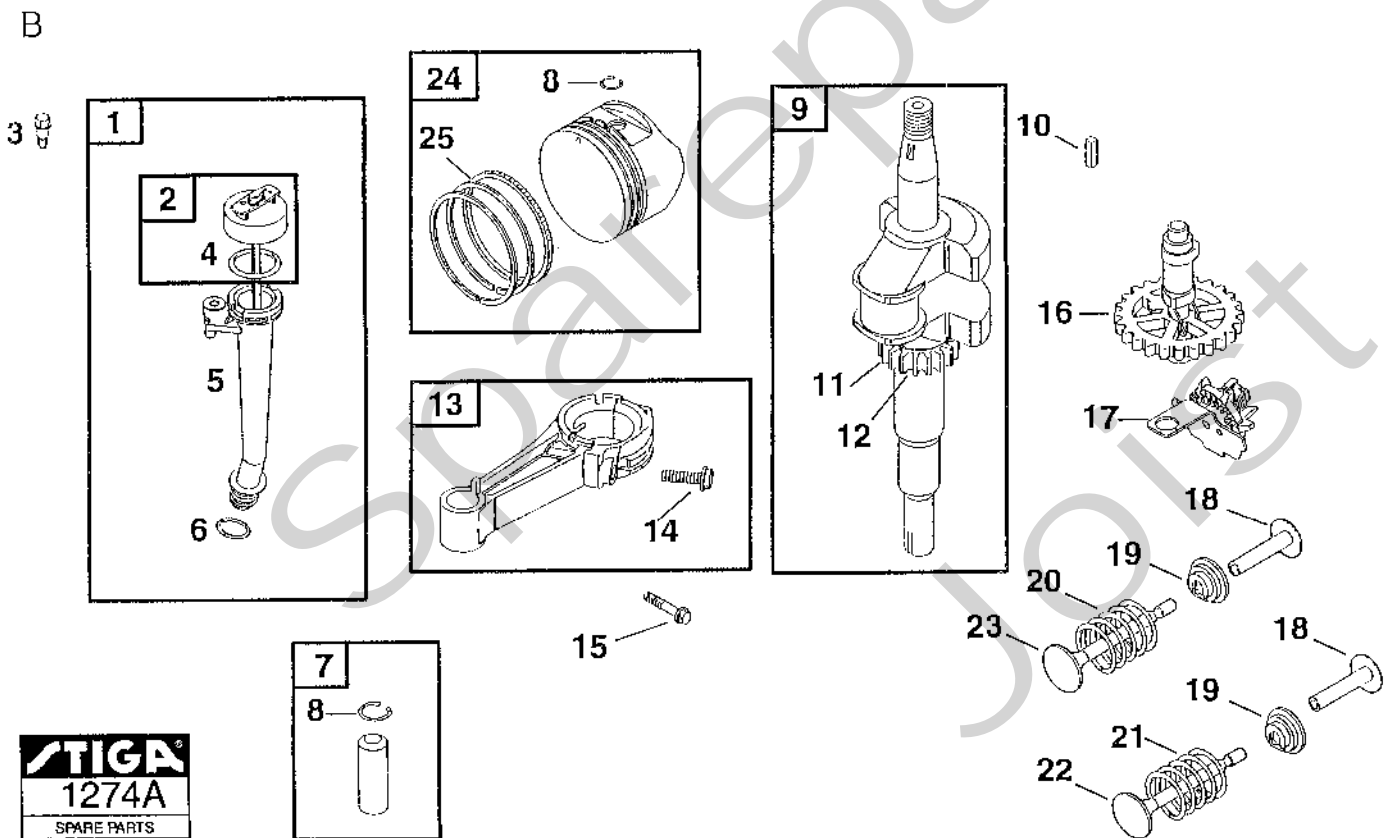
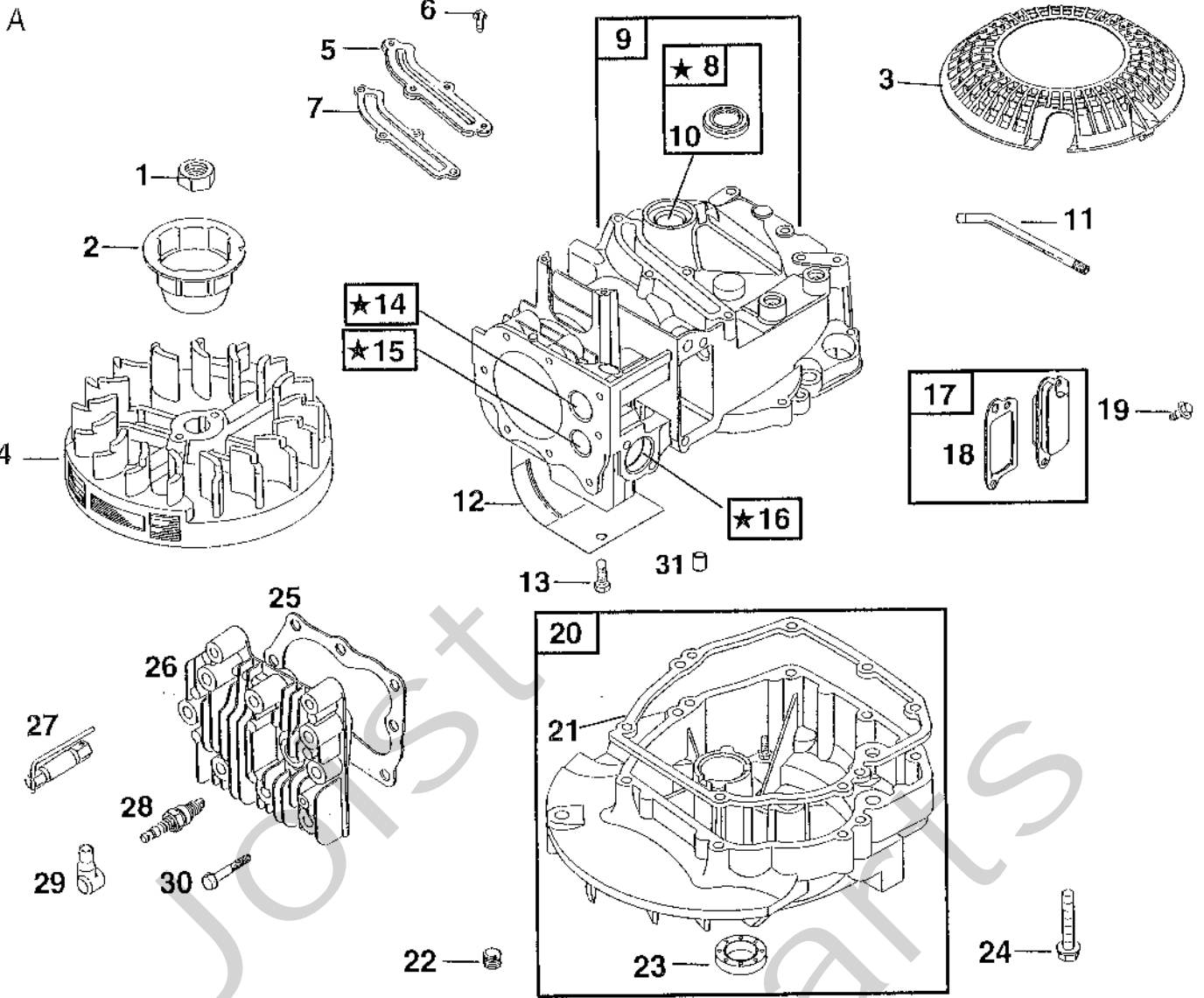


Utgåva Issue		Bildnr Picture No		BRIGGS & STRATTON 12H802, 12H807 STARTMOTOR SNÖRSTART		BRIGGS & STRATTON 12H802, 12H807 STARTER MOTOR REWIND STARTER		Sida Page	
Pos. Fig.	Antal/Quantity			Art nr Part No	Benämning	Description	Sats Kit	Anmärkning Notes	
	12H 802- 1935	12H 807- 1936	12H 802- 1966						
A01		1		695550	Startmotor kpl .....	Starter motor assy .....			
A02		1		494147	• Drev kpl .....	• Drive kit .....			
A03		1		93941	•• Låsring .....	•• Retainer .....			
A04		1		691325	•• Snäckdrev .....	•• Starter spline .....			
A05		1		691918	•• Drev .....	•• Pinion gear .....			
A06		1		692341	•• Lock .....	•• Cover .....			
A07		3		690345	•• Skruv .....	•• Screw .....			
A08		1		692352	•• Packning .....	•• Gasket .....			
A09		1		692358	•• Koppling .....	•• Drive clutch .....			
A10		1		691269	•• Drev .....	•• Pinion gear .....			
A11		1		690786	• Rotor .....	• Starter armature .....			
A12		1		492919	• Brickor .....	• Washer set .....			
A13		2		692327	• Bult .....	• Bolt .....			
A14		1		695266	• Starthus .....	• Starter housing .....			
A15		1		695267	• Bottenkåpa .....	• End cap .....			
A16		1		695268	• Kabeladapter .....	• Wire adapter .....			
A17		1		690782	• Lock .....	• Drive cap .....			
A18		2		691127	Skruv .....	Screw .....			
B01	1	1	1	497680	Start kpl .....	Starter assy .....			
B02	1	1	1	691421	• Starthus .....	• Starter housing .....			
B03	4	4	4	690837	• Skruv .....	• Screw .....			
B04	4	4	4	690800	• Mutter .....	• Nut .....			
B05	1	1	1	281434	• Starthandtag .....	• Handle .....			
B06	1	1	1	692259	• Startsnöre .....	• Starter rope .....			
B07	2	2	2	281505	• Startklo .....	• Starter pawl .....			
B08	1	1	1	691855	• Friktionsfjäder .....	• Friction spring .....			
B09	1	1	1	692299	• Spärrplatta .....	• Pawl friction plate .....			
B10	1	1	1	691696	• Skruv .....	• Screw .....			
B11	1	1	1	498144	• Linhjul m.fjäder .....	• Pulley/spring .....			
B12	1	1	1	498144	• Linhjul m.fjäder .....	• Pulley/spring .....			



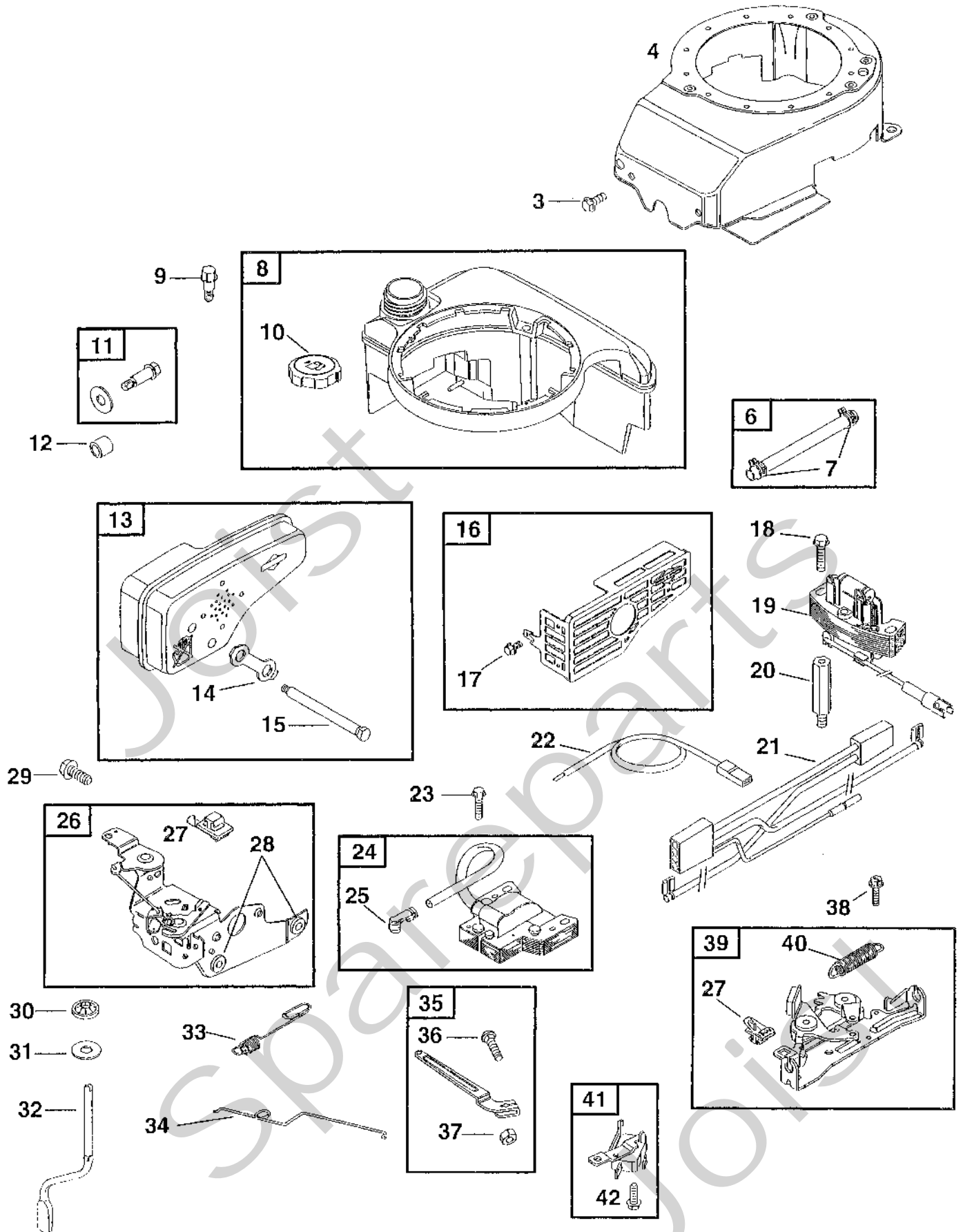


Utgåva Issue 2003-43		Bildnr Picture No 1278A		BRIGGS & STRATTON 12H802, 12H807 PACKNINGSSATS		BRIGGS & STRATTON 12H802, 12HB07 GASKET SET		Sida Page 360	
Pos. Fig.	Antal/Quantity			Art nr Part No	Benämning	Description	Sats Kit	Anmärkning Notes	
	12H 802- 1935	12H 807- 1936	12H 802- 1966						
A01	1	1	1	299819	• Tätningsring .....	• Oil seal .....			
A03	1	1	1	399781	• Tätningsring .....	• Oil seal .....			
A04	1	1	1	272653	• Packning .....	• Gasket .....			
A05	1	1	1	270344	• Tätning .....	• Seal .....			
A06	1	1	1	493823	• Distans .....	• Spacer .....			
A07	1	1	1	272199	• Packning .....	• Gasket .....			
A08	1	1	1	691879	• Packning .....	• Gasket .....			
A09	1	1	1	691031	• O- ring .....	• O- ring .....			
A10	1	1	1	692296	• Tätningsring .....	• Tube seal .....			
A11	1	1	1	692232	• Packning .....	• Gasket .....			
A12	1	1	1	692249	• Packning .....	• Gasket .....			
A14	1	1	1	691242	• Flottöraxel .....	• Float hinge pin .....			
A15	1	1	1	694468	• Expansionsbricka .....	• Welch plug .....			
A16	1	1	1	398188	• Bränslenål .....	• Inlet valve .....			
A17	1	1	1	693981	• Packning .....	• Gasket .....			
A18	1	1	1	271716	• Tätningsbricka .....	• Sealing washer .....			
A19	1	1	1	691321	• Dammtätning .....	• Dust seal .....			
A21	1	1	1	498260	Rep.sats förgasare .....	Carb. overhaul kit .....			
A22	1	1	1	498261	Packn.sats- förg .....	Gasket set- carb. .....			
A23	1	1	1	497316	Packn.sats- motor .....	Gasket set- engine .....			



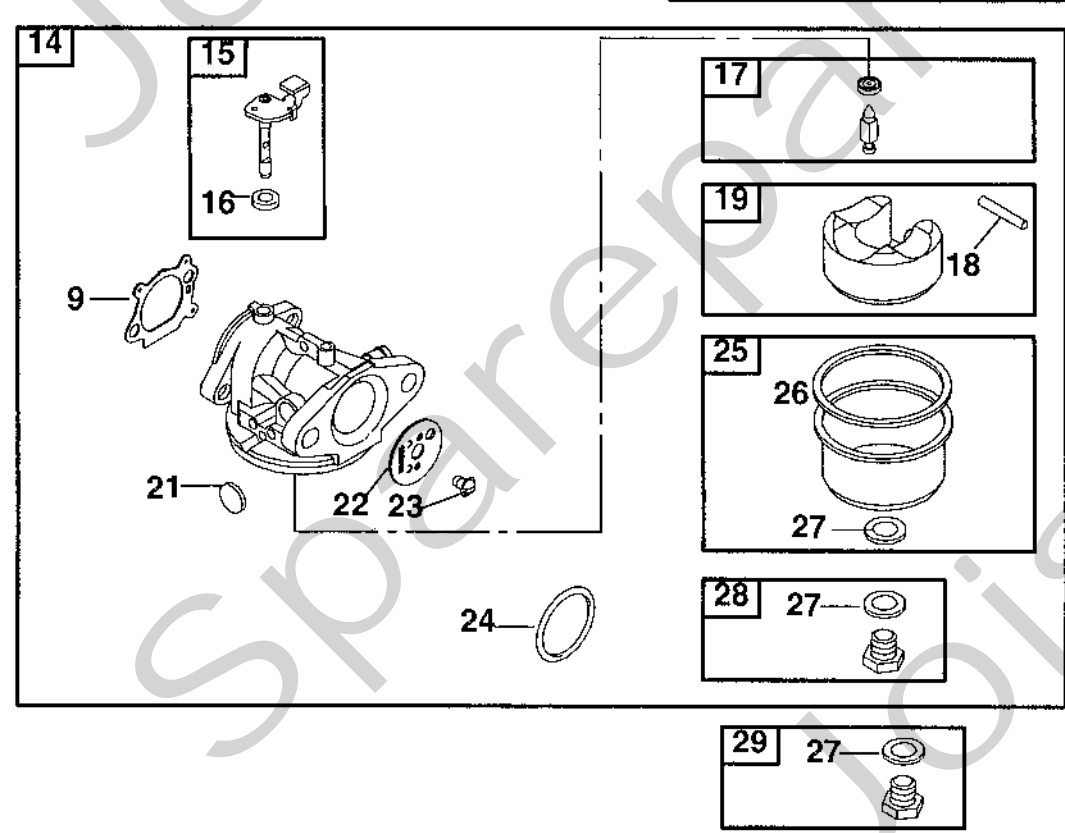
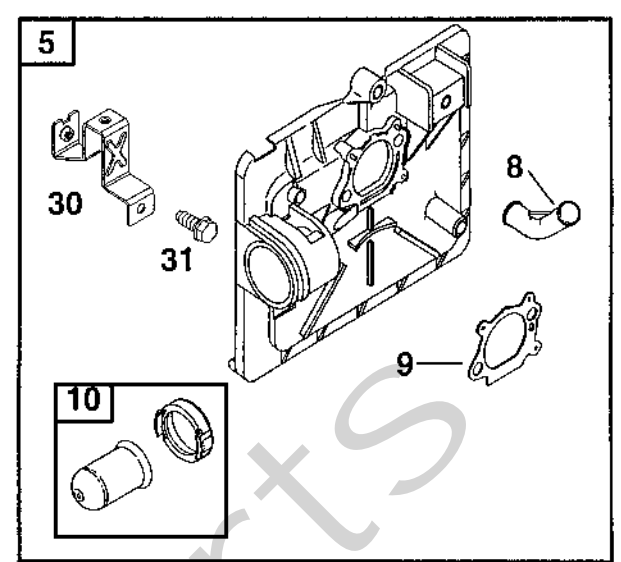
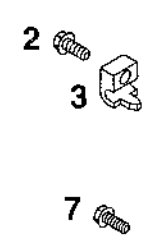
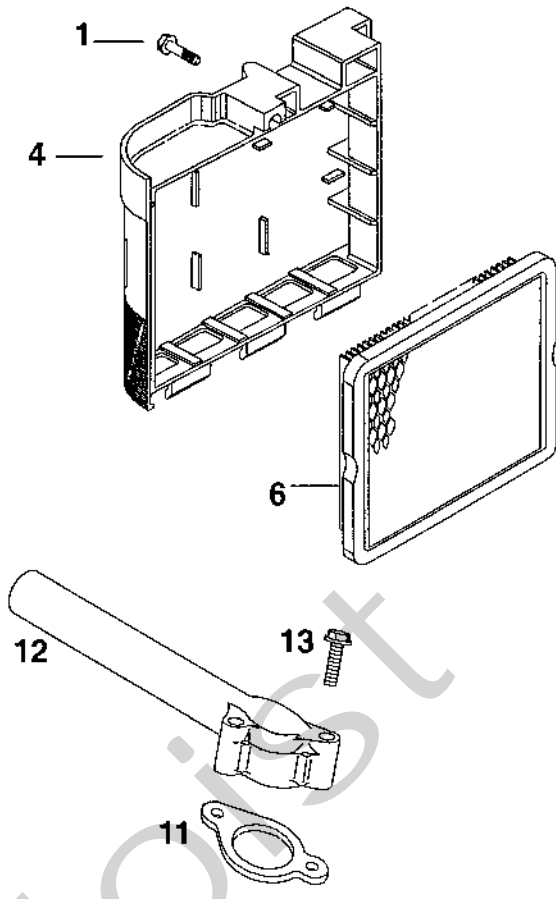
Utgåva Issue		Bildnr Picture No		BRIGGS & STRATTON 127707 CYLINDER VEVAXEL		BRIGGS & STRATTON 127707 CYLINDER CRANKSHAFT		Sida Page	
2003- 43		1274A						362	
Pos. Fig.	Antal/Quantity			Art nr Part No	Benämning	Description	Sats Kit	Anmärkning Notes	
	127 707- 1716	127 707- 1792							
A01	1	1		690662	Mutter.....	Flywheel nut.....			
A02	1	1		695161	Svånghjuls kopp.....	Flywheel cup.....			
A03	1	1		691919	Skydd.....	Rewind guard.....			
A04	1	1		691987	Svånghjul.....	Flywheel.....			
A05	1	1		692342	Lock.....	Cover.....			
A06	4	4		690345	Skruv.....	Screw.....			
A07	1	1		691879	Packning.....	Gasket.....			
A08	1	1		399269	• Bussning.....	• Bushing.....			
A09	1	1		697322	Cylinder kpl.....	Cylinder Assy.....			
A10	1	1		299819	• Tätningsring.....	• Oil seal.....			
A11	1	1		691781	Ventilationsrör.....	Breather tube.....			
A12	1	1		690450	Cylinderskydd.....	Cylinder shield.....			
A13	1	1		690345	Skruv.....	Screw.....			
A14	1	1		691155	• Ventilåte- insug.....	• Valve seat- intake.....			
A15	1	1		690380	• Ventilåte- utblås.....	• Valve seat- exhaust.....			
A16	1	1		262001	• Ventilstyrning- utblås.....	• Valve guide- exhaust.....			
A16	1	1		63709	• Ventilstyrning- insug.....	• Guide- intake valve.....			
A17	1	1		695250	Vevhusventilation.....	Breather.....			
A18	1	1		696125	• Packning.....	• Gasket.....			
A19	2	2		691125	Skruv.....	Screw.....			
A20	1	1		493279	Vevhus.....	Engine sump.....			
A21	1	1		692232	• Packning.....	• Gasket.....			
A22	1	1		691680	Oljeavtappningsplugg.....	Oil drain plug.....			
A23	1	1		399781	• Tätningsring.....	• Oil seal.....			
A24	7	7		691092	Skruv.....	Screw.....			
A25	1	1		692249	Packning.....	Gasket.....			
A26	1	1		691160	Topplöck.....	Cylinder head.....			
A27	1	1		1111- 9029- 01	Tändstiftsnyckel.....	Spark plug wrench.....			
A28	1	1		9400- 0225- 00	Tändstift.....	Spark plug.....		Champion J19LM	
A29	1	1		66538	Tändstiftsskydd.....	Spark plug elbow.....			
A30	8	8		690912	Skruv.....	Screw.....			
A31	2	2		690959	Tapp.....	Locating pin.....			
B01	1	1		692017	Oljesticka kpl.....	Oil dipstick Assy.....			
B02	1	1		495264	• Oljesticka.....	• Oil dipstick.....			
B03	1	1		690940	Skruv.....	Screw.....			
B04	1	1		691031	• O- ring.....	• O- ring.....			
B05	1	1		495265	• Oljepåfyllningsrör.....	• Oil filler tube.....			
B06	1	1		692296	• Tätningsring.....	• Tube seal.....			
B07	1	1		499423	Kolvbult.....	Piston pin.....			
B08	2	2		691866	• Låsring.....	• Lock ring.....			
B09	1	1		691452	Vevaxel.....	Crankshaft.....			
B10	1	1		222698	Kil.....	Key.....			
B11	1	1		691830	• Drev.....	• Timing gear.....			
B12	1	1		690979	• Kil.....	• Timing key.....			
B13	1	1		499424	Vevstake.....	Connecting rod.....			
B14	1	1		691664	• Skruv.....	• Screw.....			
B15	1	1		695759	Skruv.....	Screw.....			
B16	1	1		691449	Kamaxel.....	Camshaft.....			
B17	1	1		691997	Oljeslångare.....	Oil slinger.....			
B18	2	2		690548	Ventillyftare.....	Valve tappet.....			
B19	2	2		692194	Ventilhållare.....	Valve retainer.....			
B20	1	1		691270	Ventilfjäder.....	Valve spring.....			
B21	1	1		691270	Ventilfjäder.....	Valve spring.....			
B22	1	1		262651	Utblåsningsventil.....	Exhaust valve.....			
B23	1	1		262652	Insugningsventil.....	Intake valve.....			
B24	1	1		499429	Kolv kpl.....	Piston Assy.....		Standard	
B24	1	1		499430	Kolv kpl.....	Piston Assy.....		.010" oversize	
B24	1	1		499431	Kolv kpl.....	Piston Assy.....		.020" oversize	
B24	1	1		499432	Kolv kpl.....	Piston Assy.....		.030" oversize	
B25	1	1		499425	• Kolvringsatts.....	• Ring set.....		Standard	
B25	1	1		499426	• Kolvringsatts.....	• Ring set.....		.010" oversize	
B25	1	1		499427	• Kolvringsatts.....	• Ring set.....		.020" oversize	
B25	1	1		499428	• Kolvringsatts.....	• Ring set.....		.030" oversize	

A



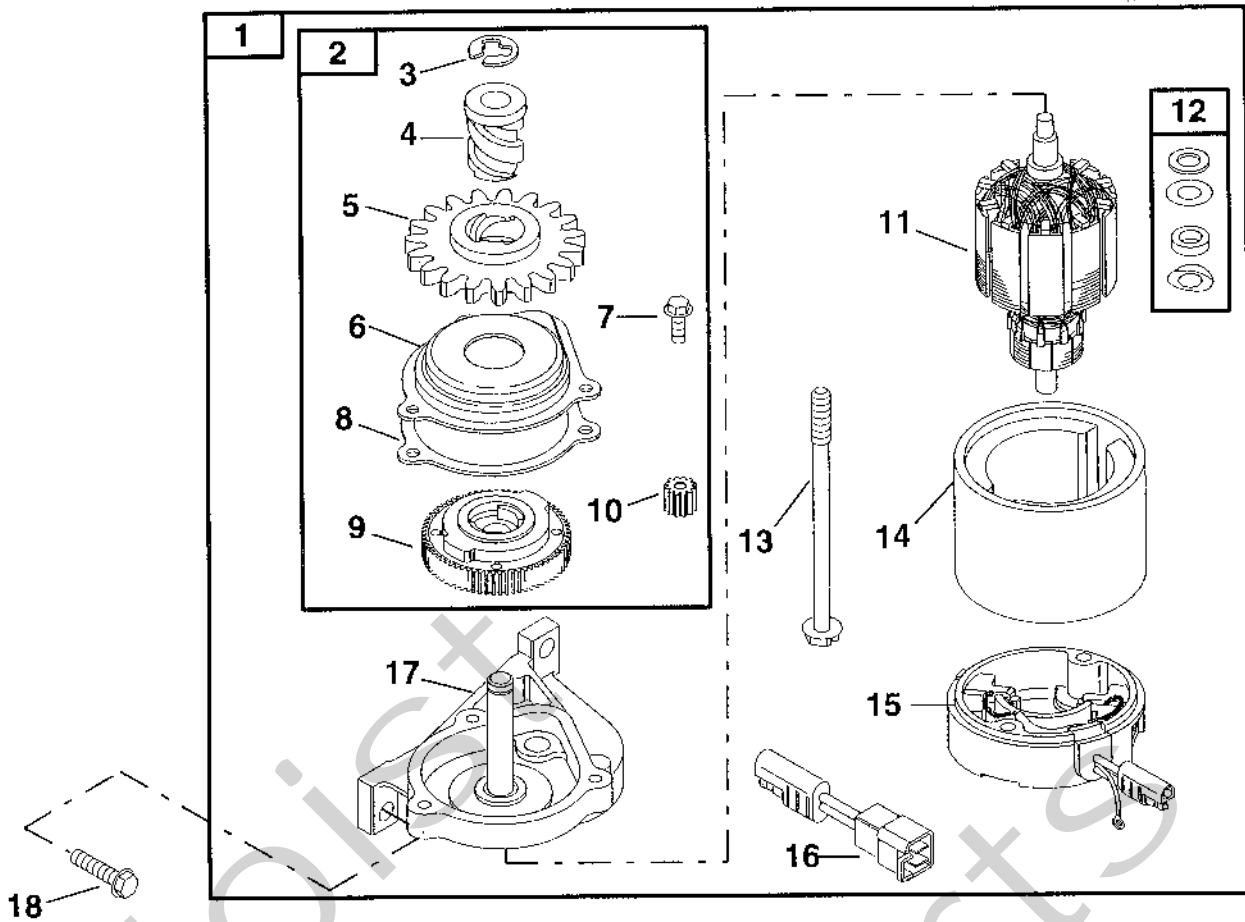
Utgåva Issue		Bildnr Picture No		BRIGGS & STRATTON 127707 BRÄNSLETANK REGULATOR		BRIGGS & STRATTON 127707 FUEL TANK GOVERNOR		Sida Page
Pos. Fig.	Antal/Quantity			Art nr Part No	Benämning	Description	Sats Kit	Anmärkning Notes
	127 707- 1716	127 707- 1792						
X A03	4	4		691108	Skruv.....	Screw.....		
A04	1	1		493293	Fläkthus.....	Blower housing.....		
A06	1	1		691371	Bränsleslang.....	Fuel line.....		
A07	2	2		95162	Slangklämma.....	Hose clamp.....		
A08	1	1		695887	Bränsletank.....	Fuel tank.....		
A09	2	2		690940	Skruv.....	Screw.....		
A10	1	1		397974	• Tanklock.....	• Fuel cap.....		
A11	1	1		692311	Skruv/bricka.....	Screw/washer.....		
A12	1	1		692294	Distans.....	Spacer.....		
A13	1	1		496106	Ljuddämpare.....	Muffler.....		
A14	1	1		691740	• Låsbleck.....	• Screw lock.....		
A15	2	2		691340	• Skruv.....	• Screw.....		
A16	1	1		499034	Skydd.....	Guard.....		
A17	2	2		690664	• Skruv.....	• Screw.....		
A18	2	2		691648	Skruv.....	Screw.....		
A19	1	1		691991	Generator.....	Alternator.....		
A20	2	2		691094	Pinnbult.....	Stud.....		
A21	1	1		696547	Kablage.....	Wiring harness.....		
A22	1	1		692390	Stoppkabel.....	Stop wire.....		
A23	2	2		691061	Skruv.....	Screw.....		
A24	1	1		802574	Tändsystem.....	Magneto armature.....		
A25	1	1		493880	• Anslutningshylsa.....	• Terminal.....		
A26	1	1		692031	Reglageplåt.....	Control bracket.....		
A27	2	2		692310	• Stoppkontakt.....	• Stop switch.....		
A28	1	1		493823	• Distans.....	• Spacer.....		2 st/includes 2
A29	2	2		690877	Skruv.....	Screw.....		
A30	1	1		690340	Hållare.....	Retainer.....		
A31	1	1		690272	Bricka.....	Washer.....		
X A32	1	1		698801	Regulatoraxel.....	Governor crank.....		
A33	1			691292	Regulatorfjäder.....	Governor spring.....		
A33		1		691852	Regulatorfjäder.....	Governor spring.....		
A34	1	1		691829	Regulatorlänk.....	Governor link.....		
A35	1	1		690783	Regulatorarm.....	Govern. control lever.....		
A36	1	1		92613	• Skruv.....	• Screw.....		
A37	1	1		691251	• Mutter.....	• Nut.....		
A38	2	2		691648	Skruv.....	Screw.....		
A39	1	1		691994	Broms.....	Brake.....		
A40	1	1		691831	• Bromsfjäder.....	• Brake spring.....		
A41	1	1		499421	Brytare.....	Switch.....		
A42	1	1		691627	• Skruv.....	• Screw.....		

A

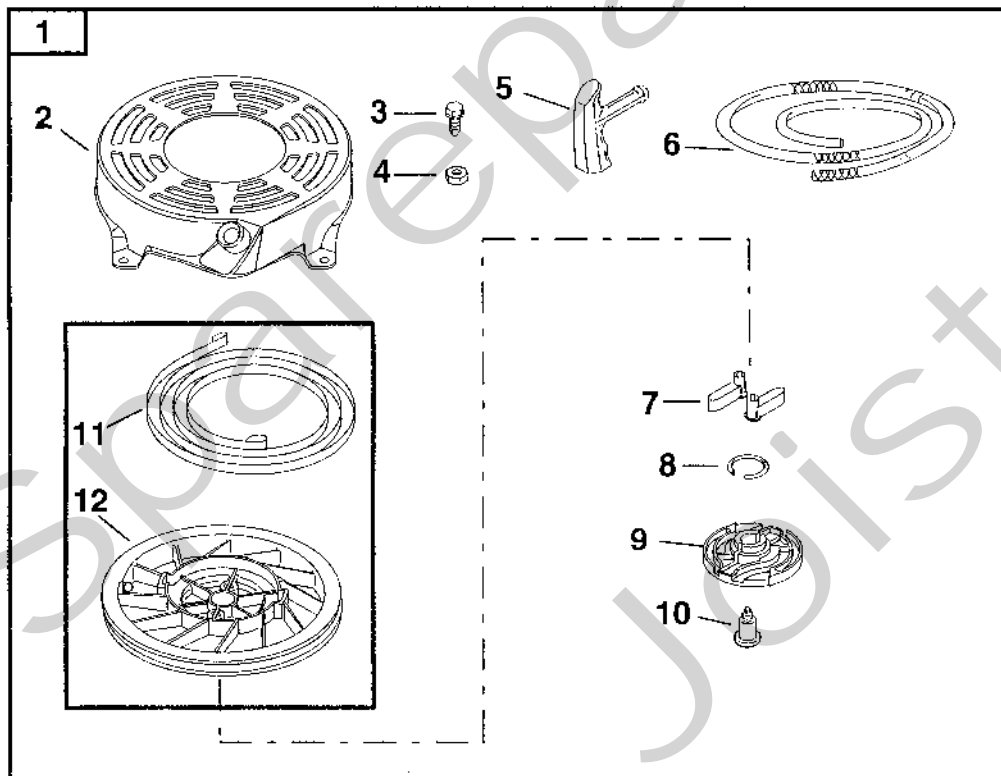


Utgåva Issue 2003-43		Bildnr Picture No 1276A		BRIGGS & STRATTON 127707 LUFTFILTER FÖRGASARE		BRIGGS & STRATTON 127707 AIR CLEANER CARBURETTOR		Sida Page 366	
Pos. Fig.	Antal/Quantity			Art nr Part No	Benämning	Description	Sats Kit	Anmärkning Notes	
	127 707- 1716	127 707- 1792							
A01	1	1		690670	Skruv .....	Screw .....			
A02	1	1		691044	Skruv .....	Screw .....			
A03	1	1		690798	Wireklämma .....	Casing clamp .....			
A04	1	1		692298	Luftrenarlock .....	Air cleaner cover .....			
A05	1	1		496116	Luftrenarfäste .....	Air cleaner base .....			
A06	1	1		491588	Pappersfilter .....	Air filter .....			
A07	2	2		692523	Skruv .....	Screw .....			
A08	1	1		691923	• Hylsa .....	• Grommet .....			
A09	1	1		272653	• Packning .....	• Gasket .....			
A10	1	1		694395	• Primer .....	• Primer .....			
A11	1	1		272199	Packning .....	Gasket .....			
A12	1	1		497465	Insugningsrör .....	Intake pipe .....			
A13	2	2		691650	Skruv .....	Screw .....			
A14	1	1		498170	Förgasare kpl .....	Carburettor assy .....			
A15	1	1		696565	• Spjällaxel .....	• Throttle shaft .....			
A16	1	1		691321	•• Dammtätning .....	•• Dust seal .....			
A17	1	1		398188	• Bränslenål .....	• Inlet valve .....			
A18	1	1		691242	•• Flottöraxel .....	•• Float hinge pin .....			
A19	1	1		398187	• Flottör .....	• Float .....			
A20	2	2		692524	Skruv .....	Screw .....			
A21	1	1		694468	• Expansionsbricka .....	• Welch plug .....			
A22	1	1		691203	• Gasspjäll .....	• Throttle valve .....			
A23	1	1		691636	• Skruv .....	• Screw .....			
A24	1	1		270344	• Tätning .....	• Seal .....			
A25	1	1		493640	• Flottörhus .....	• Bowl .....			
A26	1	1		693981	•• Packning .....	•• Gasket .....			
A27	1	1		271716	•• Tätningsbricka .....	•• Sealing washer .....			
A28	1	1		494870	• Huvudmunstycke .....	• Main jet .....		Standard	
A29	1	1		497315	Huvudmunstycke .....	Main jet .....		High altitude	
A30	1	1		691753	• Fäste .....	• Bracket .....			
A31	1	1		691669	• Skruv .....	• Screw .....			

A



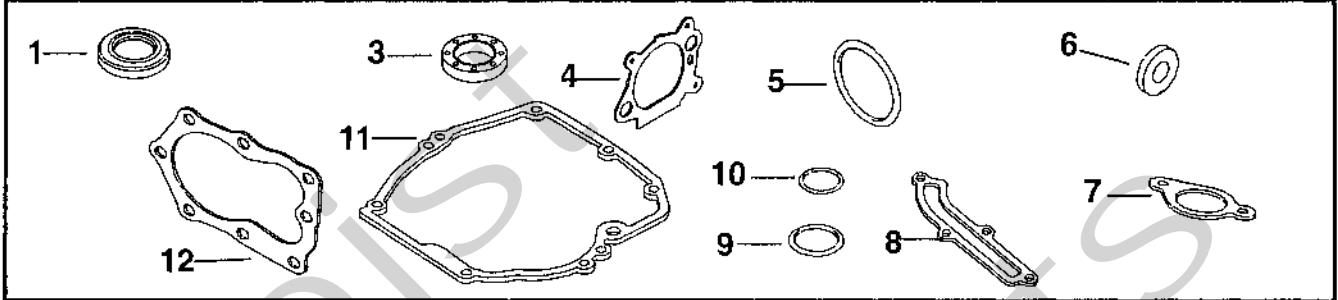
B



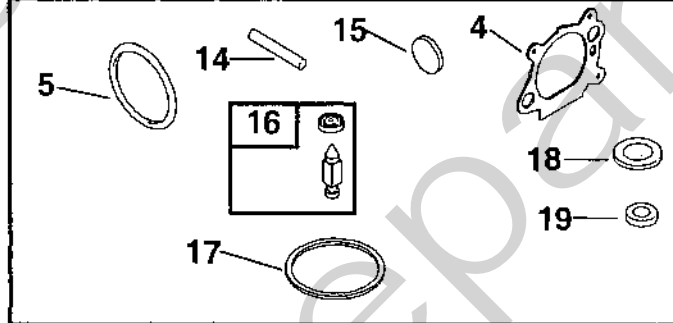


Utgåva Issue		Bildnr Picture No		BRIGGS & STRATTON 127707 STARTMOTOR SNÖRSTART		BRIGGS & STRATTON 127707 STARTER MOTOR REWIND STARTER		Sida Page
Pos. Fig.	Antal/Quantity			Art nr Part No	Benämning	Description	Sats Kit	Anmärkning Notes
	127 707- 1716	127 707- 1792						
A01	1	1		695550	Startmotor kpl .....	Starter motor assy .....		
A02	1	1		494147	• Drev kpl .....	• Drive kit .....		
A03	1	1		93941	•• Låsring .....	•• Retainer .....		
A04	1	1		691325	•• Snäckdrev .....	•• Starter spline .....		
A05	1	1		691918	•• Drev .....	•• Pinion gear .....		
A06	1	1		692341	•• Lock .....	•• Cover .....		
A07	3	3		690345	•• Skruv .....	•• Screw .....		
A08	1	1		692352	•• Packning .....	•• Gasket .....		
A09	1	1		692358	•• Koppling .....	•• Drive clutch .....		
A10	1	1		691269	•• Drev .....	•• Pinion gear .....		
A11	1	1		690786	• Rotor .....	• Starter armature .....		
A12	1	1		492919	• Brickor .....	• Washer set .....		
A13	2	2		692327	• Bult .....	• Bolt .....		
A14	1	1		695266	• Starthus .....	• Starter housing .....		
A15	1	1		695267	• Bottenkåpa .....	• End cap .....		
A16	1	1		695268	• Kabeladapter .....	• Wire adapter .....		
A17	1	1		690782	• Lock .....	• Drive cap .....		
A18	2	2		691127	Skruv .....	Screw .....		
B01	1	1		497680	Start kpl .....	Starter assy .....		
B02	1	1		691421	• Starthus .....	• Starter housing .....		
B03	4	4		690837	• Skruv .....	• Screw .....		
B04	4	4		690800	• Mutter .....	• Nut .....		
B05	1	1		281434	• Starthandtag .....	• Handle .....		
B06	1	1		692259	• Startsnöre .....	• Starter rope .....		
B07	2	2		281505	• Startklo .....	• Starter pawl .....		
B08	1	1		691855	• Friktionsfjäder .....	• Friction spring .....		
B09	1	1		692299	• Spärrplatta .....	• Pawl friction plate .....		
B10	1	1		691696	• Skruv .....	• Screw .....		
B11	1	1		498144	• Linhjul m.fjäder .....	• Pulley/spring .....		
B12	1	1		498144	• Linhjul m.fjäder .....	• Pulley/spring .....		

**23 ENGINE GASKET SET**



**21 CARBURETOR OVERHAUL KIT**



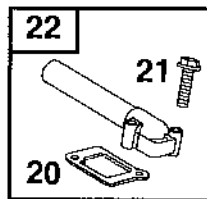
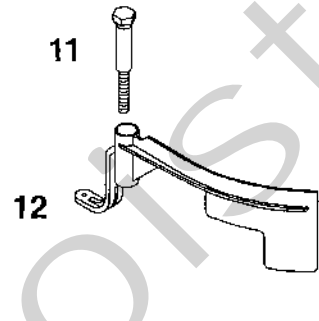
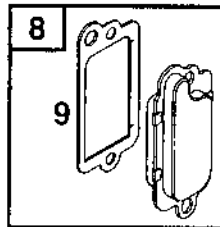
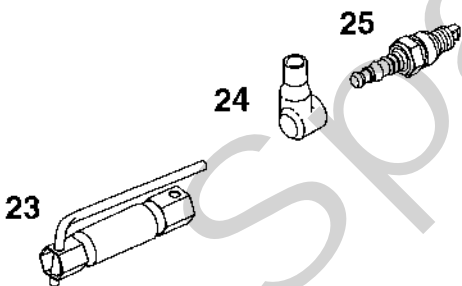
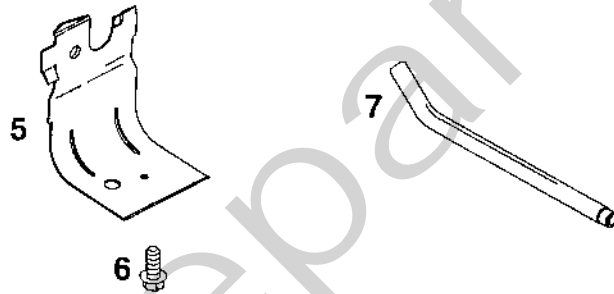
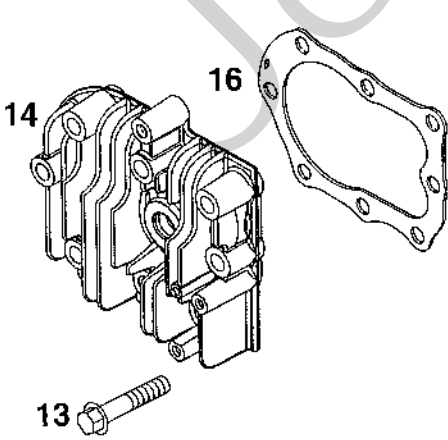
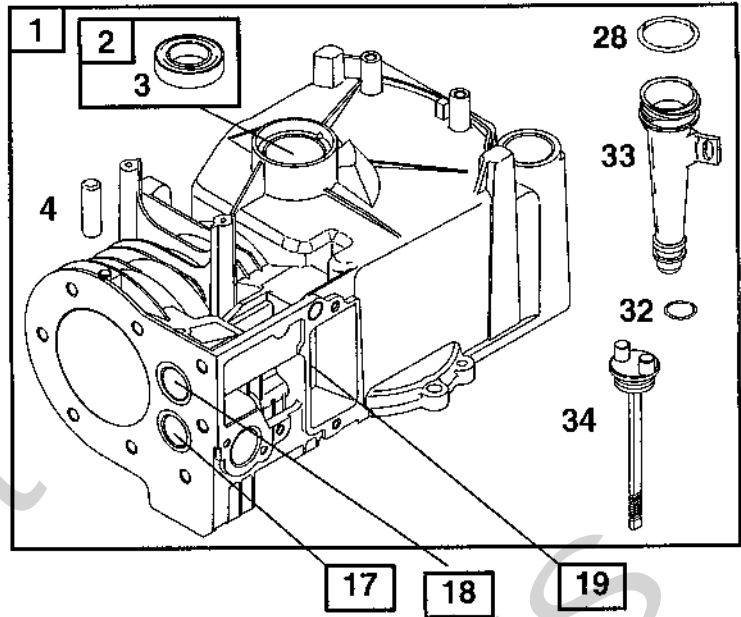
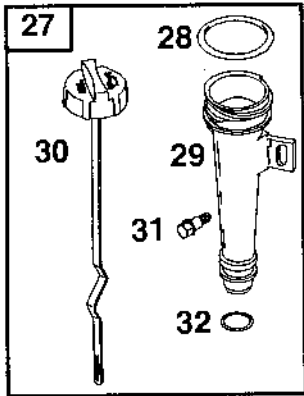
**22 CARBURETOR GASKET SET**



Utgåva Issue 2003-43		Bildnr Picture No 1278A		BRIGGS & STRATTON 127707 PACKNINGSSATS		BRIGGS & STRATTON 127707 GASKET SET		Sida Page 370	
Pos. Fig.	Antal/Quantity			Art nr Part No	Benämning	Description	Sats Kit	Anmärkning Notes	
	127 707- 1716	127 707- 1792							
A01	1	1		299819	• Tätningssring .....	• Oil seal .....			
A03	1	1		399781	• Tätningssring .....	• Oil seal .....			
A04	1	1		272653	• Packning .....	• Gasket .....			
A05	1	1		270344	• Tätning .....	• Seal .....			
A06	1	1		493823	• Distans .....	• Spacer .....			
A07	1	1		272199	• Packning .....	• Gasket .....			
A08	1	1		691879	• Packning .....	• Gasket .....			
A09	1	1		691031	• O-ring .....	• O-ring .....			
A10	1	1		692296	• Tätningssring .....	• Tube seal .....			
A11	1	1		692232	• Packning .....	• Gasket .....			
A12	1	1		692249	• Packning .....	• Gasket .....			
A14	1	1		691242	• Flottöraxel .....	• Float hinge pin .....			
A15	1	1		694468	• Expansionsbricka .....	• Welch plug .....			
A16	1	1		398188	• Bränslenål .....	• Inlet valve .....			
A17	1	1		693981	• Packning .....	• Gasket .....			
A18	1	1		271716	• Tätningssbricka .....	• Sealing washer .....			
A19	1	1		691321	• Dammtätning .....	• Dust seal .....			
A21	1	1		498260	Rep.sats förgasare .....	Carb. overhaul kit .....			
A22	1	1		498261	Packn.sats- förg .....	Gasket set- carb. .....			
A23	1	1		497316	Packn.sats- motor .....	Gasket set- engine .....			

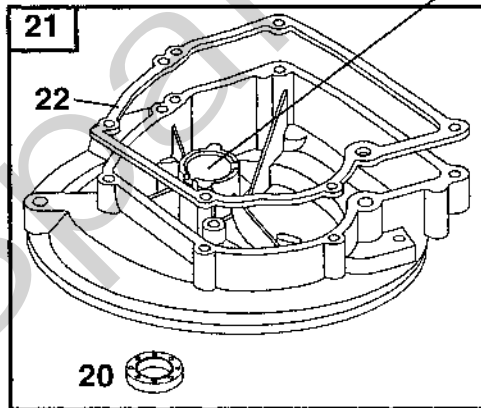
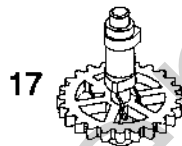
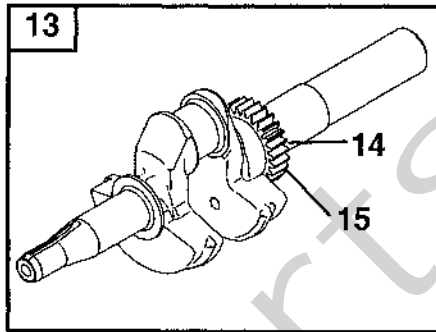
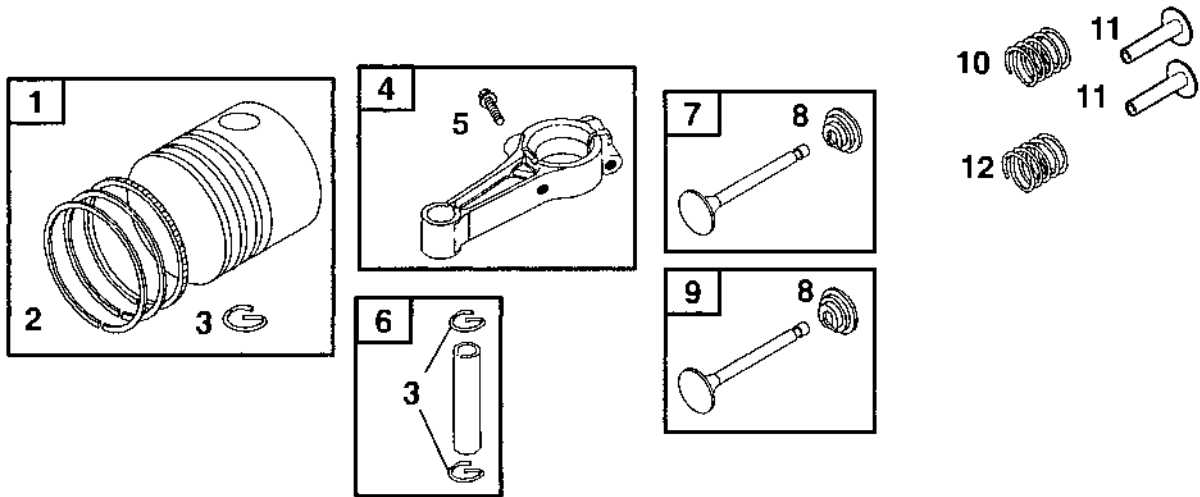
A

15 



Utgåva Issue 2003-43		Bildnr Picture No 1476		BRIGGS & STRATTON 10D902 CYLINDER		BRIGGS & STRATTON 10D902 CYLINDER		Sida Page 344	
Pos. Fig.	Antal/Quantity			Art nr Part No	Benämning	Description	Sats Kit	Anmärkning Notes	
	10D 902- 0129	10D 902- 0141	10D 902- 0142						
A01	1	1	1	399164	Cylinder kpl.....	Cylinder assy.....			
A02	1	1	1	399269	• Bussning.....	• Bushing.....			
A03	1	1	1	299819	• Tätningring.....	• Oil seal.....	S		
A04	2	2	2	690959	• Tapp.....	• Locating pin.....			
A05	1	1	1	690400	Skyddsplåt.....	Cylinder shield.....			
A06	1	1	1	690345	Skruv.....	Screw.....			
A07	1	1	1	691245	Rör.....	Breather tube.....			
A08	1	1	1	495785	Vevhusventilation.....	Breather.....			
A09	1	1	1	272602	• Packning.....	• Gasket.....	S		
A09	1	1	1	695890	• Packning.....	• Gasket.....	S		
A10	2	2	2	691666	Skruv.....	Screw.....			
A11	1	1	1	691107	Skruv.....	Screw.....			
A12	1	1	1	691912	Regulatorvinge.....	Governor blade.....			
A13	8	8	8	691697	Skruv.....	Screw.....			
A14	1	1	1	690386	Topplöck.....	Cylinder head.....			
A15	1	1	1	692889	Distans.....	Spacer.....			
A16	1	1	1	692288	Topplöckspackning.....	Cylinder head gasket.....	S		
A17	1	1	1	691702	• Ventilsåte- utblås.....	• Valve seat- exhaust.....			
A18	1	1	1	691701	• Ventilsåte- insug.....	• Valve seat- intake.....			
A19	1	1	1	231348	• Ventilstyrning- utblås.....	• Guide bushing- exhaust.....			
A19	1	1	1	63709	• Ventilstyrning- insug.....	• Guide- intake valve.....			
A20	1	1	1	270345	• Packning.....	• Gasket.....	S		
A21	2	2	2	691111	• Skruv.....	• Screw.....			
A22	1	1	1	693446	Insugningsrör.....	Intake manifold.....			
A23	1	1	1	1111-9029-01	Tändstiftsnyckel.....	Spark plug wrench.....			
A24	1	1	1	66538	Tändstiftsskydd.....	Spark plug elbow.....			
A25	1	1	1	9400-0225-00	Tändstift.....	Spark plug.....		Champion J19LM	
A27	1	1	1	691440	Oljesticka kpl.....	Dipstick assy.....			
A28	1	1	1	691870	• Tätningring.....	• Seal.....			
A29	1	1	1	691320	• Påfyllningsrör.....	• Dipstick tube.....			
A30	1	1	1	692040	• Oljesticka.....	• Dipstick.....			
A31	1	1	1	691002	• Skruv.....	• Screw.....			
A32	1	1	1	691876	• Tätningring.....	• Dipstick tube seal.....	S		
A33	1	1	1	694531	• Påfyllningsrör.....	• Dipstick tube.....			
A34	1	1	1	691913	• Oljesticka.....	• Oil dipstick.....			

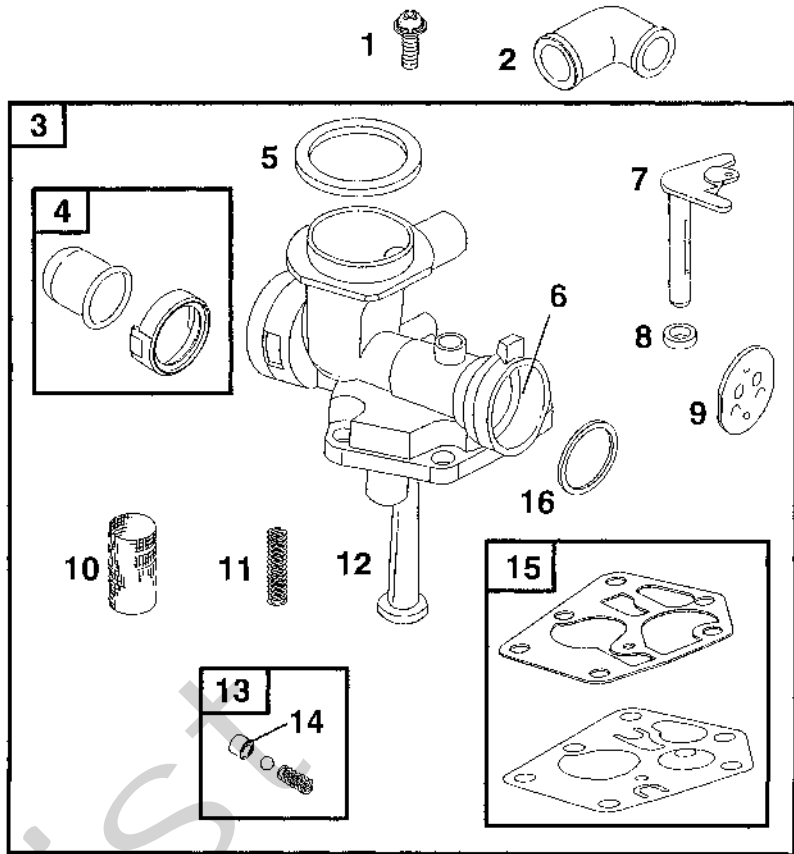
A



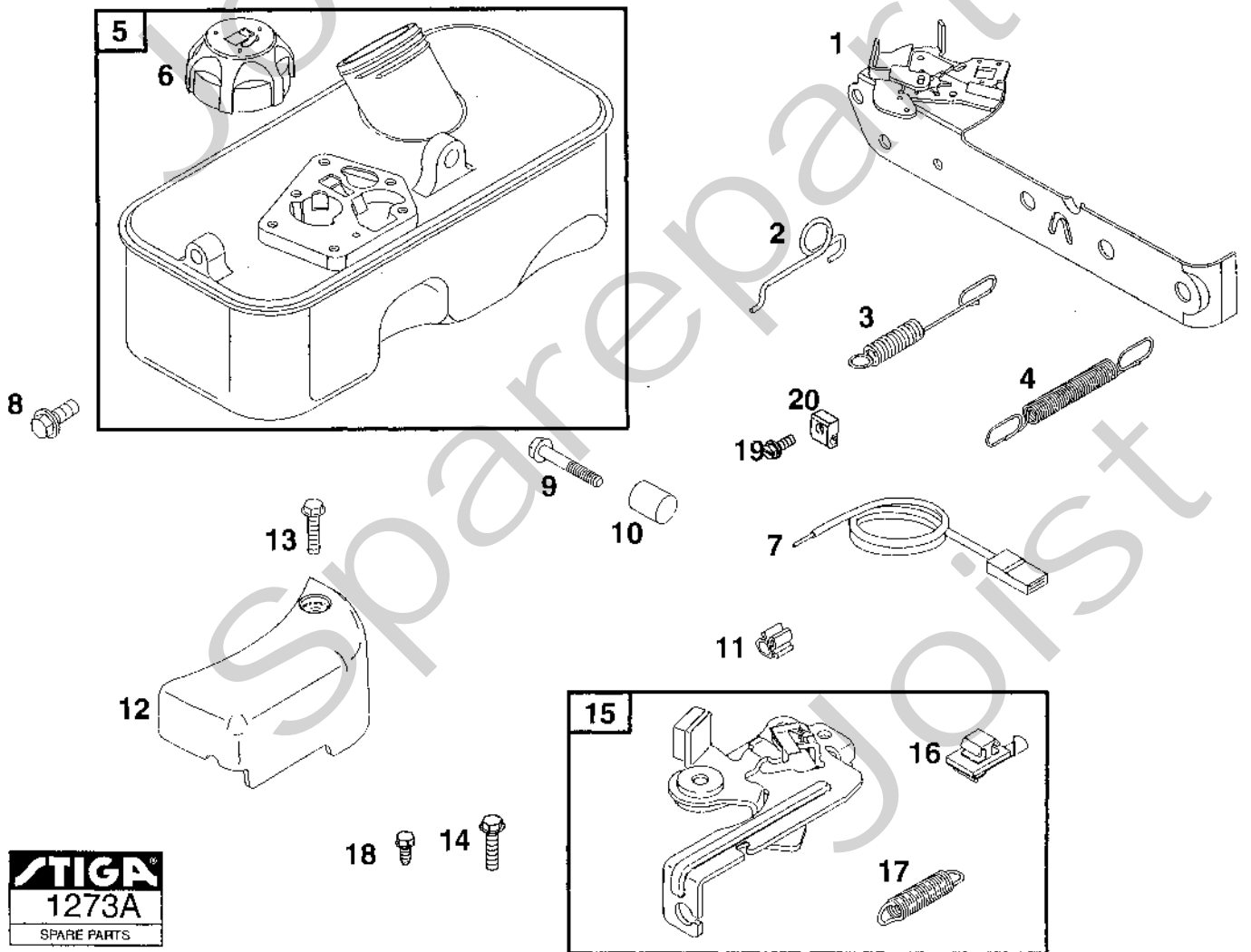
31 ENGINE GASKET SET

Utgåva Issue		Bildnr Picture No		BRIGGS & STRATTON 10D902 VEVAXEL VEVHUS		BRIGGS & STRATTON 10D902 CRANKSHAFT CRANKCASE		Sida Page	
2003-43		1477						346	
Pos. Fig.	Antal/Quantity			Art nr Part No	Benämning	Description	Sats Kit	Anmärkning Notes	
	10D 902- 0129	10D 902- 0141	10D 902- 0142						
A01	1	1	1	498668	Kolv kpl.....	Piston assy .....		Standard	
A01	1	1	1	498669	Kolv kpl.....	Piston assy .....		.010" oversize	
A01	1	1	1	498670	Kolv kpl.....	Piston assy .....		.020" oversize	
A01	1	1	1	498671	Kolv kpl.....	Piston assy .....		.030" oversize	
A02	1	1	1	498680	• Kolvringsatts.....	• Ring set.....		Standard	
A02	1	1	1	498681	• Kolvringsatts.....	• Ring set.....		.010" oversize	
A02	1	1	1	498682	• Kolvringsatts.....	• Ring set.....		.020" oversize	
A02	1	1	1	498683	• Kolvringsatts.....	• Ring set.....		.030" oversize	
A03	2	2	2	691588	• Låsring .....	• Piston pin lock .....			
A04	1	1	1	496792	Vevstake .....	Connecting rod .....			
A05	2	2	2	691664	• Skruv .....	• Screw .....			
A06	1	1	1	298908	Kolvbult kpl.....	Piston pin assy.....		.005" oversize	
A06	1	1	1	298909	Kolvbult kpl.....	Piston pin assy.....		Standard	
A07	1	1	1	296676	Utblåsningsventil .....	Exhaust valve .....			
A08	2	2	2	692194	• Ventilhållare .....	• Valve retainer .....			
A09	1	1	1	296677	Insugningsventil .....	Intake valve .....			
A10	1	1	1	690520	Ventilfjäder .....	Valve spring .....			
A11	2	2	2	691762	Ventillyftare .....	Valve tappet .....			
A12	1	1	1	690520	Ventilfjäder .....	Valve spring .....			
A13	1	1	1	691471	Vevaxel .....	Crankshaft.....			
A14	1	1	1	499047	• Stift .....	• Pin.....			
A15	1	1	1	691805	• Drev .....	• Timing gear.....			
A16	1	1	1	222698	Kil .....	Key .....			
A17	1	1	1	691998	Kamaxel.....	Camshaft.....			
A18	1	1	1	691983	Oljeslångare.....	Oil slinger.....			
A19	1	1	1	293709	• Bussning.....	• Bushing.....			
A20	1	1	1	391483	• Tätningssring .....	• Oil seal .....	S		
A21	1	1	1	395384	Vevhus.....	Oil sump .....			
A22	1	1	1	270895	• Vevhuspackning .....	• Crankcase gasket .....	S	.005" thick	
A22	1	1	1	270896	• Vevhuspackning .....	• Crankcase gasket .....	S	.009" thick	
A22	1	1	1	692218	• Vevhuspackning .....	• Crankcase gasket .....	S	.015" thick (Standard)	
A23	1	1	1	691680	Oljeavtappningsplugg .....	Oil drain plug .....			
A24	6	6	6	691662	Skruv .....	Screw .....			
A31	1	1	1	298989	Packningssatts .....	Gasket set .....		Märkta/marked S	

A



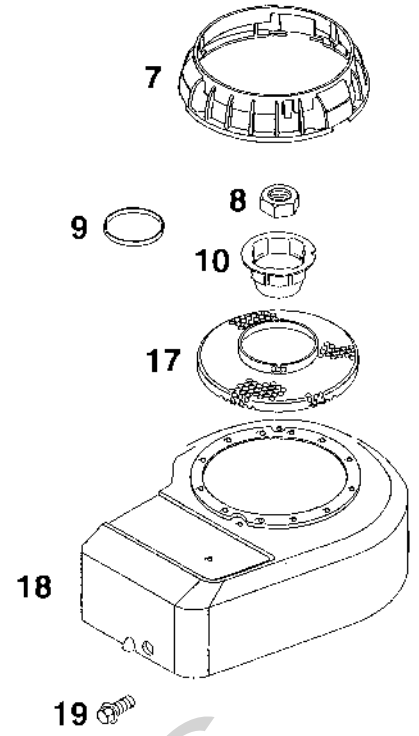
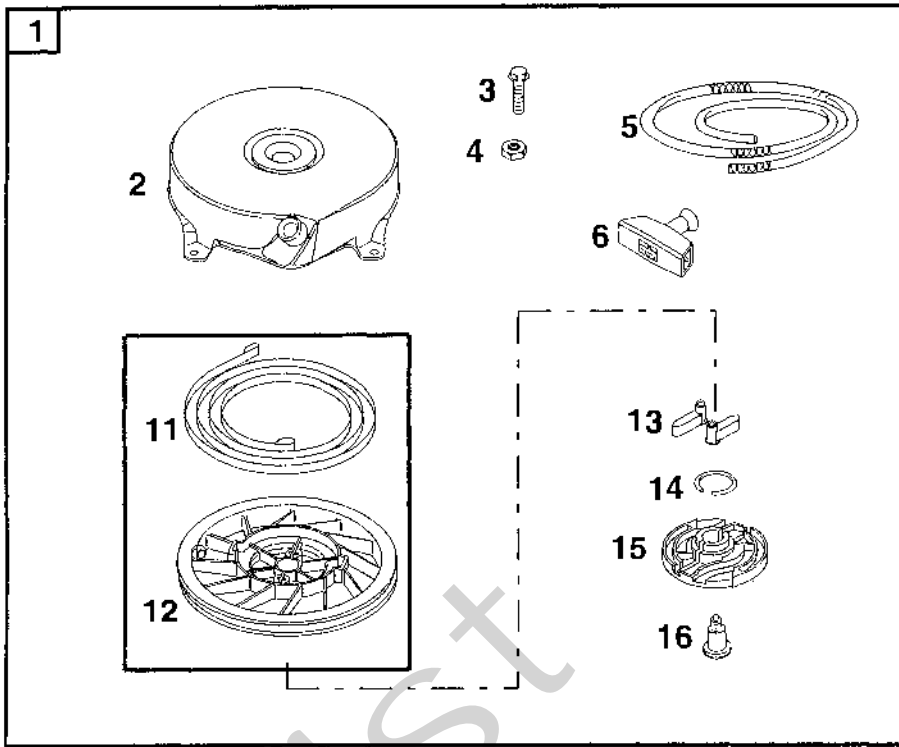
B



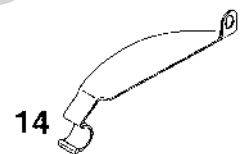
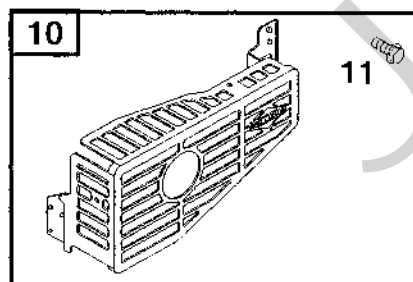
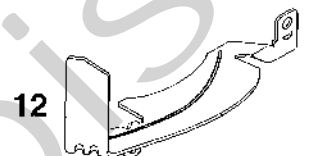
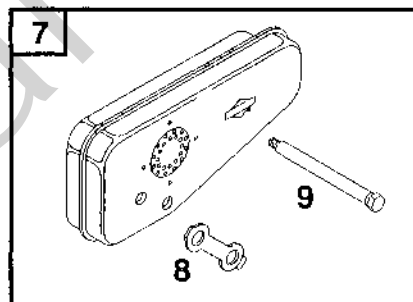
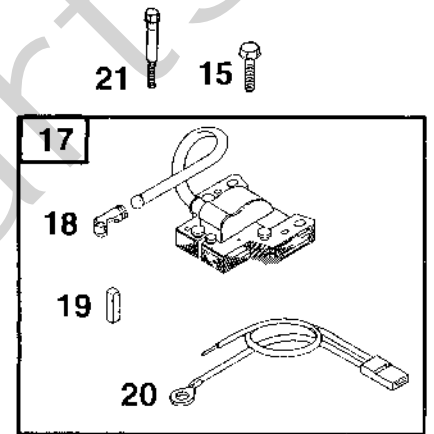
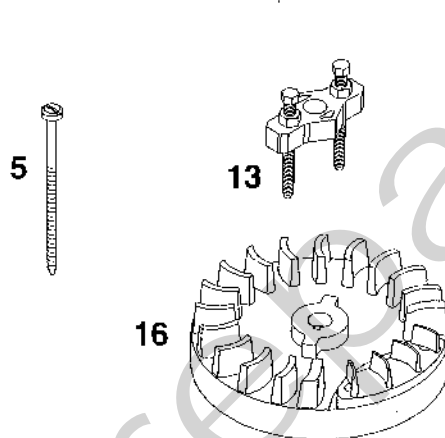
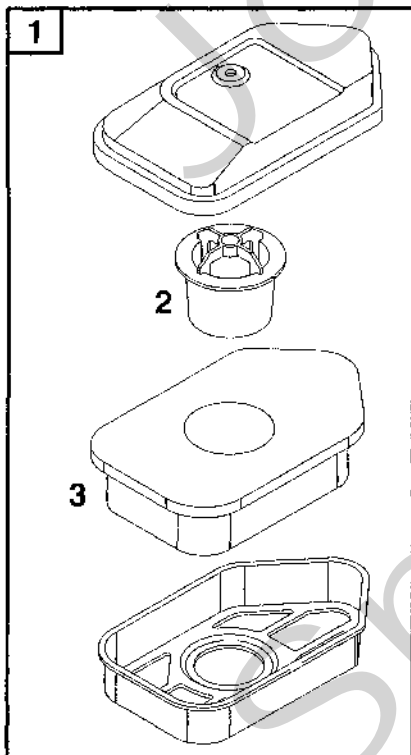


Utgåva Issue 2003-43		Bildnr Picture No 1273A		BRIGGS & STRATTON 10D902 FÖRGASARE BRÄNSLETANK		BRIGGS & STRATTON 10D902 CARBURETTOR FUEL TANK		Sida Page 348	
Pos. Fig.	Antal/Quantity			Art nr Part No	Benämning	Description	Sats Kit	Anmärkning Notes	
	10D 902- 0129	10D 902- 0141	10D 902- 0142						
A01	4	4	4	692200	Skruv .....	Screw .....			
A02	1	1	1	692189	Hylsa .....	Grommet .....			
A03	1	1	1	498811	Förgasare kpl .....	Carburettor assy .....			
A04	1	1	1	494408	• Primer .....	• Primer bulb .....			
A04	1	1	1	694394	• Primer .....	• Carburettor primer .....			
A05	1	1	1	271139	• Packning .....	• Gasket .....			
A06	1	1	1	270344	• Tätning .....	• Seal .....			
A07	1	1	1	691931	• Spjällaxel .....	• Throttle shaft .....			
A08	1	1	1	691321	• Dammtätning .....	• Dust seal .....			
A09	1	1	1	691190	• Gasspjäll .....	• Throttle valve .....			
A10	1	1	1	691837	• Nät .....	• Screen .....			
A11	1	1	1	691839	• Fjäder .....	• Spring .....			
A12	1	1	1	496046	• Bränslerör .....	• Fuel pipe .....			
A13	1	1	1	494409	• Ventilsåte .....	• Check valve seat .....			
A14	1	1	1	691901	• Säte .....	• Inlet seat .....			
A15	1	1	1	495770	• Membran .....	• Diaphragm .....			
A16	1	1	1	695866	• O-ring .....	• O-ring seal .....			
B01	1	1	1	691446	Reglageplåt .....	Control bracket .....			
B02	1	1	1	690347	Regulatorlänk .....	Air vane link .....			
B03	1	1	1	690251	Regulatorfjäder .....	Governor spring .....			
B03	1	1	1	690254	Regulatorfjäder .....	Governor spring .....			
B04	1	1	1	691859	Fjäder .....	Idle spring .....			
B05	1	1	1	494406	Bränsletank .....	Fuel tank .....			
B06	1	1	1	497929	• Tanklock .....	• Fuel cap .....			
B07	1	1	1	692390	Stoppkabel .....	Stop wire .....			
B08	1	1	1	692198	Skruv .....	Screw .....			
B09	1	1	1	691697	Skruv .....	Screw .....			
B10	1	1	1	691633	Distans .....	Spacer .....			
B11	1	1	1	690586	Wireklämma .....	Wire clip .....			
B12	1	1	1	691349	Kåpa .....	Linkage cover .....			
B13	1	1	1	691111	Skruv .....	Screw .....			
B14	2	2	2	691146	Skruv .....	Screw .....			
B15	1	1	1	691487	Broms .....	Brake .....			
B16	1	1	1	692310	• Stoppkontakt .....	• Stop switch .....			
B17	1	1	1	692135	• Bromsfjäder .....	• Brake spring .....			
B18	1	1	1	690859	Skruv .....	Screw .....			
B19	1	1	1	691044	Skruv .....	Screw .....			
B20	1	1	1	690798	Wireklämma .....	Casing clamp .....			

A



B



Utgåva Issue 2003-43		Bildnr Picture No 1272A		BRIGGS & STRATTON 10D902 START LUFTFILTER		BRIGGS & STRATTON 10D902 STARTER AIR CLEANER		Sida Page 350	
Pos. Fig.	Antal/Quantity			Art nr Part No	Benämning	Description	Sats Kit	Anmärkning Notes	
	10D 902- 0129	10D 902- 0141	10D 902- 0142						
A01	1	1	1	499706	Start kpl.....	Rewind starter.....			
A02	1	1	1	692144	• Starthus.....	• Starter housing.....			
A03	4	4	4	690837	• Skruv.....	• Screw.....			
A04	4	4	4	690800	• Mutter.....	• Nut.....			
A05	1	1	1	692259	• Startsnöre.....	• Starter rope.....			
A06	1	1	1	691915	• Starthandtag.....	• Starter grip.....			
A07	1	1	1	691348	Skydd.....	Rewind guard.....			
A08	1	1	1	690662	Mutter.....	Flywheel nut.....			
A09	1	1	1	694420	Roterande platta.....	Rotating trim plate.....			
A10	1	1	1	691236	Svänghjulskopp.....	Flywheel cup.....			
A11	1	1	1	499901	• Lnhjul m fjäder.....	• Pulley and spring.....			
A12	1	1	1	499901	• Lnhjul m fjäder.....	• Pulley and spring.....			
A13	2	2	2	281505	• Startklo.....	• Starter pawl.....			
A14	1	1	1	691855	• Friktionsfjäder.....	• Friction spring.....			
A15	1	1	1	692299	• Spärrplatta.....	• Pawl friction plate.....			
A16	1	1	1	691696	• Skruv.....	• Screw.....			
A17	1	1	1	691235	Skyddsnet.....	Rotating screen.....			
A18	1	1	1	691484	Fläkthus.....	Blower housing.....			
A19	3	3	3	692198	Skruv.....	Screw.....			
B01	1	1	1	493492	Luftfilter.....	Air cleaner.....			
B02	1	1	1	691911	• Stöd.....	• Support.....			
B03	1	1	1	272235	• Filterinsats.....	• Air cleaner filter.....			
B04	1	1	1	271139	Packning.....	Gasket.....			
B05	1	1	1	691417	Skruv.....	Screw.....			
B07	1	1	1	394644	Ljuddämpare.....	Muffler.....			
B07	1	1	1	692307	Ljuddämpare.....	Muffler.....			
B08	1	1	1	691179	• Låsbleck.....	• Screw lock.....			
B09	2	2	2	691413	• Skruv.....	• Screw.....			
B10	1	1	1	494896	Ljuddämparskydd.....	Muffler guard.....			
B11	2	2	2	690664	• Skruv.....	• Screw.....			
B12	1	1	1	691209	Svänghjulsskydd.....	Flywheel guard.....			
B13	1	1	1	19069	Avdragare.....	Puller.....			
B14	1	1	1	690482	Svänghjulsskydd.....	Flywheel guard.....			
B15	2	2	2	691061	Skruv.....	Screw.....			
B16	1	1	1	692009	Svänghjul.....	Flywheel.....			
B17	1	1	1	496914	Tändsystem kpl.....	Magneto armature.....			
B18	1	1	1	493880	• Anslutningshylsa.....	• Terminal.....			
B19	1	1	1	222698	• Kil.....	• Key.....			
B20	1	1	1	398808	• Kortslutningskabel.....	• Ground wire.....			
B21	1	1	1	691107	Skruv.....	Screw.....			