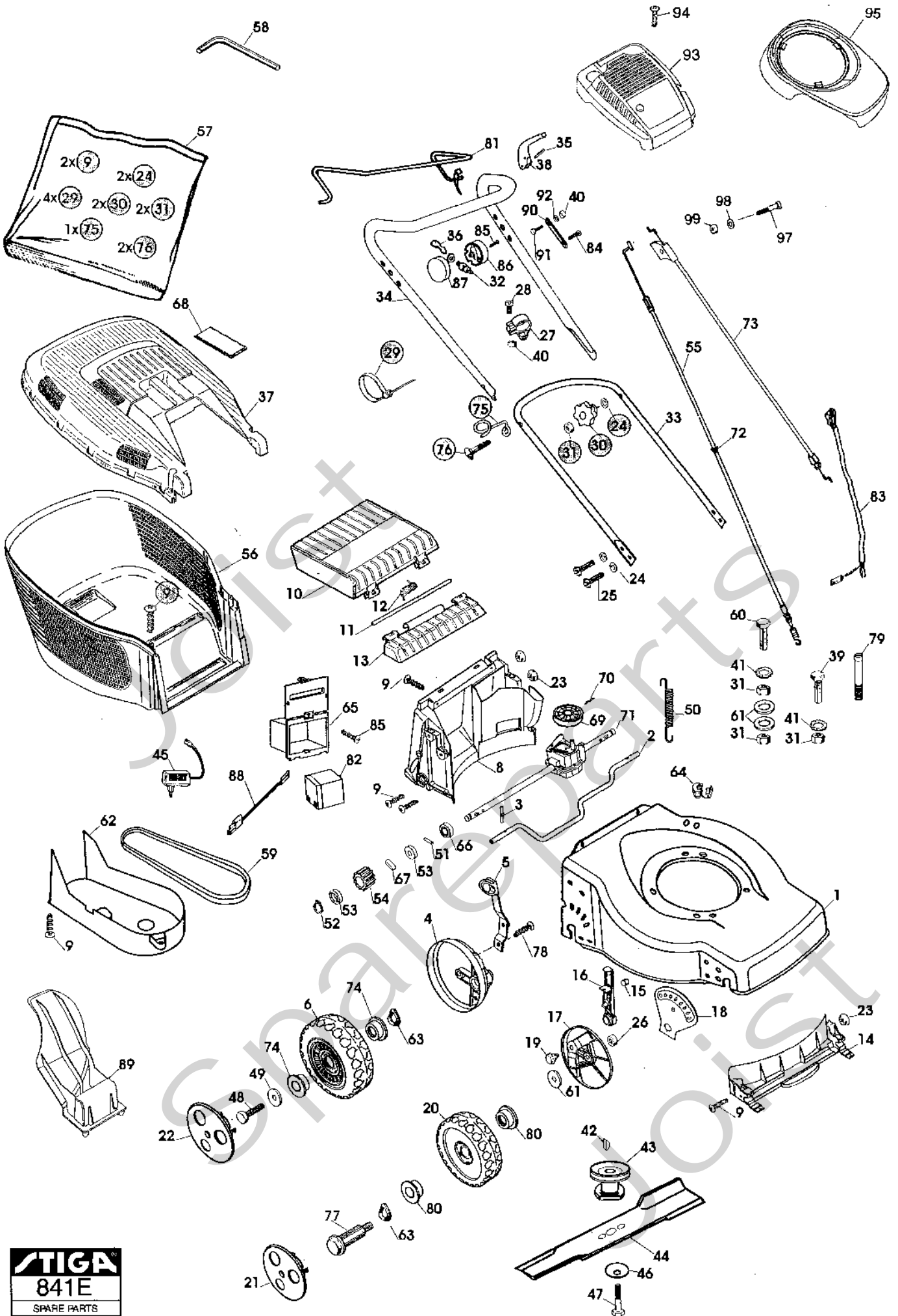


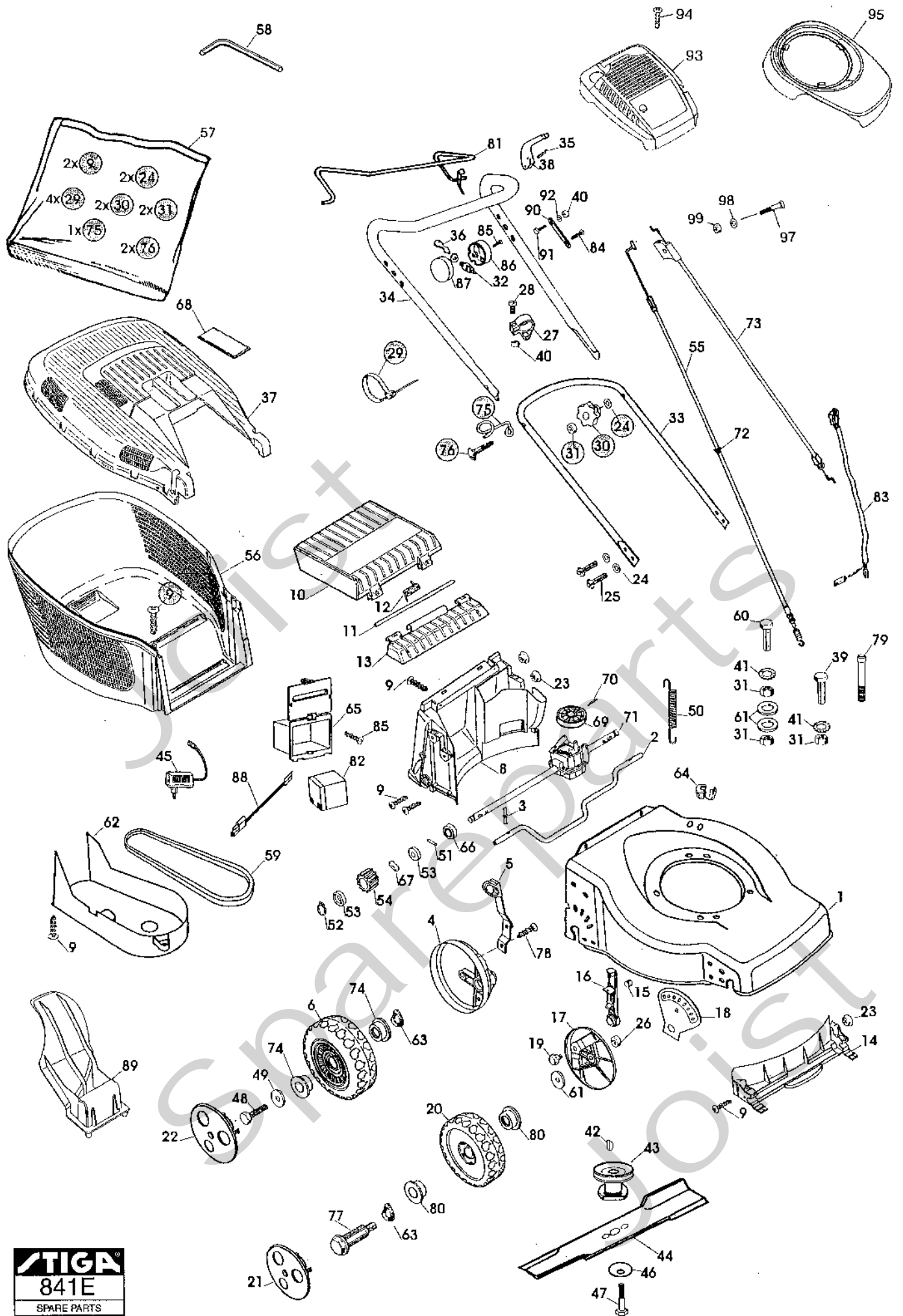
Genuine Spare Parts



Joist
Spareparts
Joist



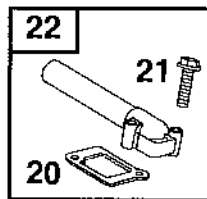
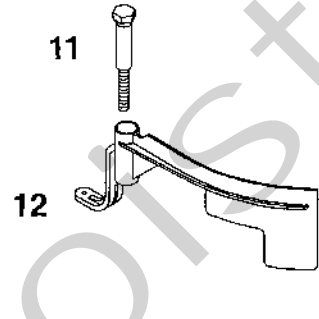
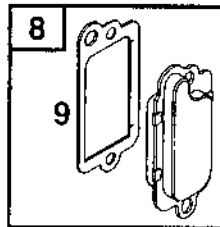
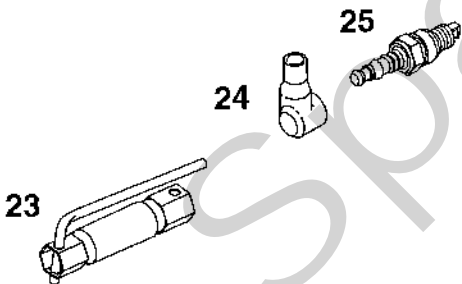
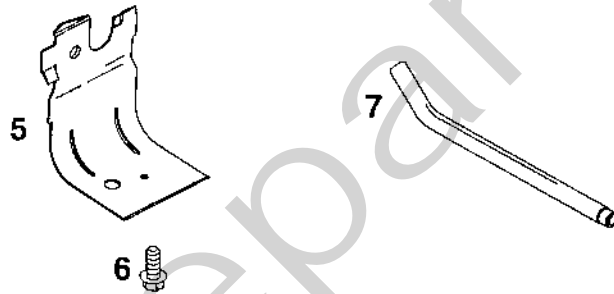
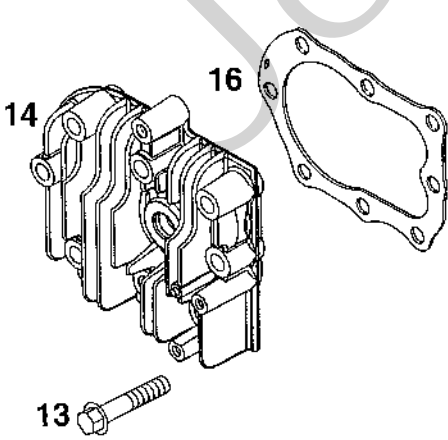
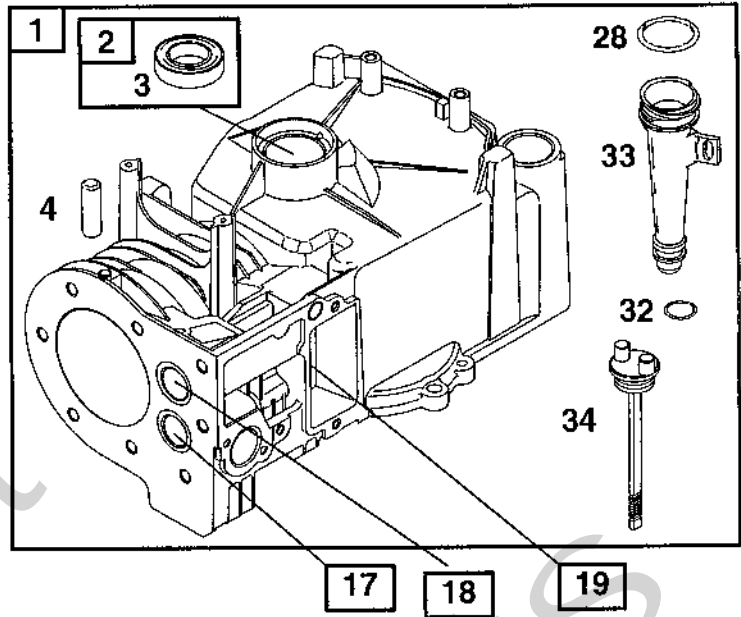
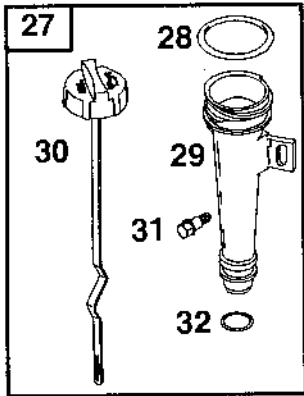
Utgåva Issue		Bildnr Picture No		COLLECTOR 45S- 45SE	COLLECTOR 45S- 45SE	Sida Page		
2003-43		841E				152		
Pos. Fig.	Antal/Quantity			Art nr Part No	Benämning	Description	Sats Kit	Anmärkning Notes
	24- 4381 -09 -19	24- 4481 -39	24- 4398 -19					
1	1			1117-1308-01	Kåpa-gul	Deck-yellow		
1			1	1117-1313-01	Kåpa-gul	Deck-yellow		
1		1		1117-3263-01	Kåpa-gul	Deck-yellow		
2	1	1	1	1117-1160-01	Bakaxel	Shaft-backside		
3	2	2	2	9595-0212-00	Spännstift	Locating pin		
4	2	2	2	1117-3256-01	Hjulsköld	Wheel protection cap		
5	2	2	2	1117-1174-01	Höjdinställningsspak	Height adjust lever		
6	2	2	2	1111-2665-01	Hjul kpl	Wheel assy		Inkl. pos 74
8	1	1	1	1117-3008-01	Ledplåt-bakre	Baffle-rear		
9	12	12	12	9836-9516-12	Skruv	Screw		
10	1	1	1	1117-1156-01	Lucka-gul	Rear flap-yellow		
11	1	1	1	1117-1143-01	Axel	Shaft		
12	1	1	1	1117-1126-01	Fjäder	Spring-rear flap		
13	1	1	1	1117-1155-01	Luckinfästning-gul	Flap holder-yellow		
14	1	1	1	1117-3007-01	Ledplåt-främre	Baffle-front		
15	2	2	2	1117-1215-01	Stift	Pin		
16	2	2	2	1117-1228-01	Inställningsspak	Adjusting lever		Inkl. pos 15
17	2	2	2	1117-1376-01	Hjulsköld	Wheel lever		
18	2	2	2	1117-1213-01	Hålplåt	Sector		
19	2	2	2	1117-1182-01	Ansatsbult	Shoulder bolt		
20	2	2	2	1111-3163-01	Hjul	Wheel		
21	2	2	2	1111-2804-01	Navkapsel-gul	Hub cap-yellow		
22	2	2	2	1111-2815-01	Navkapsel-gul	Hub cap-yellow		
23	6	6	6	1117-1131-01	Flänsmutter	Nut		
24	6	6	6	9699-0028-02	Planbricka	Flat washer		
25	4	4	4	1117-1364-01	Skruv	Screw		
26	2	2	2	9716-0831-02	Mutter	Nut		
27	1	1	1	1117-1114-01	Wirehållare	Support		
28	1	1	1	9865-0616-16	Skruv	Screw		
29	4	4	4	9579-0008-00	Buntband	Cable holder		
30	2	2	2	1117-3194-01	Låsraff	Locking knob		
31	6	6	6	9799-0831-02	Mutter	Nut		
32			1	9400-0186-00	Tändningslås kpl	Starting switch assy		
33	1	1	1	1117-1149-01	Styre- underdel	Handle-lower part		
34	1	1	1	1117-1095-01	Styre- överdel	Handle-upper part		
35	1	1	1	9595-0258-00	Spännstift	Locating pin		
36			1	1134-2848-01	Tändningsnyckel	Ignition key		
37	1	1	1	1117-1157-01	Uppsammlarlock-gul	Grassbag cover-yellow		Inkl. pos 68
38	1	1	1	1117-3221-01	Manöverbygel	OPC lever		
39	2	2	1	9997-0830-16	Skruv	Screw		30 mm
40	1	1	1	9799-0631-02	Mutter	Nut		
41	3	3	3	9678-0009-02	Låsbricka	Lock washer		
42	1	1	1	9600-0014-00	Kil	Key		
43	1	1	1	1111-9074-01	Knivfäste	Blade holder		
44	1	1	1	1111-9116-01	Kniv	Blade		
45			1	9400-0219-00	Batteriladdare	Charger		
46	1	1	1	1117-1065-01	Tallriksbricka	Spring washer		
47	1	1	1	9987-5251-12	Skruv	Screw		
48	2	2	2	9997-0614-16	Skruv	Screw		
49	2	2	2	1117-1175-01	Bricka	Washer		
50	1	1	1	1117-1120-01	Fjäder	Spring		
51	2	2	2	9591-0011-00	Stift	Pin		
52	2	2	2	1117-1083-01	Låsring	Safety ring		
53	4	4	4	1111-2830-01	Stödbricka	Support washer		
54	2	2	2	1111-3075-01	Kughjul- plasthjul	Pinion-plastic wheel		
55	1	1	1	1117-1190-01	Kopplingswire	Clutch cable		Inkl. pos 72
56	1	1	1	1117-1218-01	Uppsammlare- underdel	Lower grass bag		
57	1	1		1117-3030-01	Mont.sats	Assy kit		
57			1	1117-3032-01	Mont.sats	Assy kit		
58	1	1	1	1117-1355-01	Nyckel	Socket wrench		
59	1	1	1	1111-9114-01	Drivrem	Drive belt		
60			1	9997-0840-16	Skruv	Screw		40 mm
61	4	4	4	9699-0062-02	Planbricka	Flat washer		



Utgåva Issue		Bildnr Picture No		COLLECTOR 45S- 45SE		COLLECTOR 45S- 45SE		Sida Page
2003-43		841E						154
Pos. Fig.	Antal/Quantity			Art nr Part No	Benämning	Description	Sats Kit	Anmärkning Notes
	24- 4381 -09 -19	24- 4481 -39	24- 4398 -19					
62	1	1	1	1117-1147-01	Transmissionskåpa	Transmission cap		
63	4	4	4	9694-0003-00	Bricka	Washer		
64			1	1117-1180-01	Kabelhållare	Cable fixation		
65	1	1		1111-2927-01	Batterihållare	Battery holder		
65			1	1111-3339-01	Batteribox	Battery holder		
66	2	2	2	9549-0053-00	Kullager	Ball bearing		
67	2	2	2	1111-2827-01	Drivkil	Drive key		
68	1	1	1	1117-1135-01	• Lock-gul	• Cover-yellow		
69	1	1	1	1117-3018-01	• Remskiva	• Pulley		
70	1	1	1	1111-2382-01	• Cyl.pinne	• Pin		
71	1	1	1	1117-3376-01	Transmission	Transmission		Inkl. pos 69, 70
72	1	1	1	1134-3203-04	• Hylsa	• Cable protector		
73	1	1	1	1117-1183-01	Motorbromswire	Engine brake cable		
74	2	2	2	1111-3296-01	• Kullager	• Ball bearing		
75	1	1	1	1117-1116-01	Snörhållare	Rope holder		
76	2	2	2	9898-0855-12	Skruv	Screw		
77	2	2	2	1111-3164-01	Hjulbult	Wheel axle bolt		
78	2	2	2	9836-9512-12	Skruv	Screw		
79			1	1117-1179-01	Bult	Bolt		M8 x 55
79	1	1		1117-1268-01	Bult	Bolt		M8 x 40
80	4	4	4	9549-0053-00	Kullager	Ball bearing		
81	1	1	1	1117-1374-01	Manöverbygel	Control handle		
82			1	9400-0291-01	Batteri	Battery		
83			1	1117-1254-01	Kabelhärva	Harness		
84			2	9836-9520-12	Skruv	Screw		
85			2	9836-9216-12	Skruv	Screw		
86			1	1111-2020-01	Hus	Housing		
87			1	1111-2021-01	Lock	Cover		
88			1	1117-3282-01	Batterikabel	Battery cable		
89	1		1	1117-3001-01	Mulcherplugg	Mulch plug		
90			1	1117-3281-01	Stöd	Support		
91			1	9997-0640-12	Skruv	Screw		
92			1	9699-0025-02	Planbricka	Washer		
93	1			1111-3287-01	Motorkåpa-svart	Engine cover-black		
94	2			9828-7942-12	Skruv	Screw		
95		1		1111-3289-01	Motorkåpa-svart	Engine cover-black		
97	1	1		9948-0635-16	Skruv	Screw		
98	1	1		9699-0025-02	Planbricka	Washer		
99	1	1	1	9799-0631-02	Mutter	Nut		

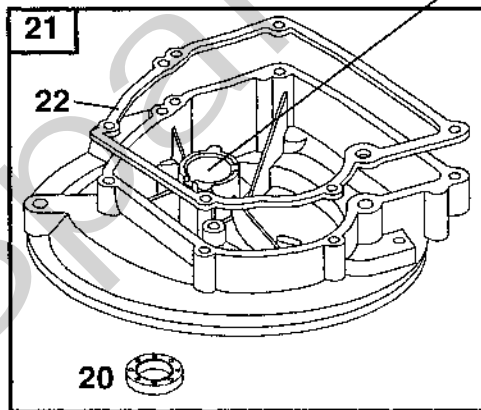
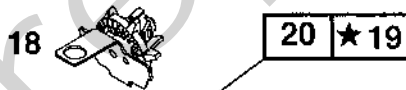
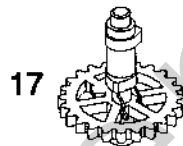
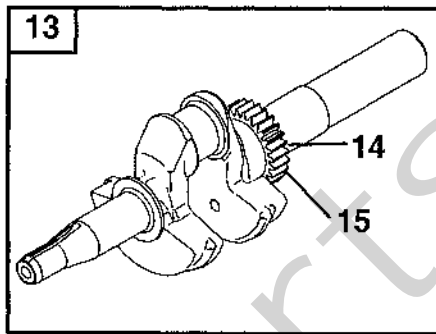
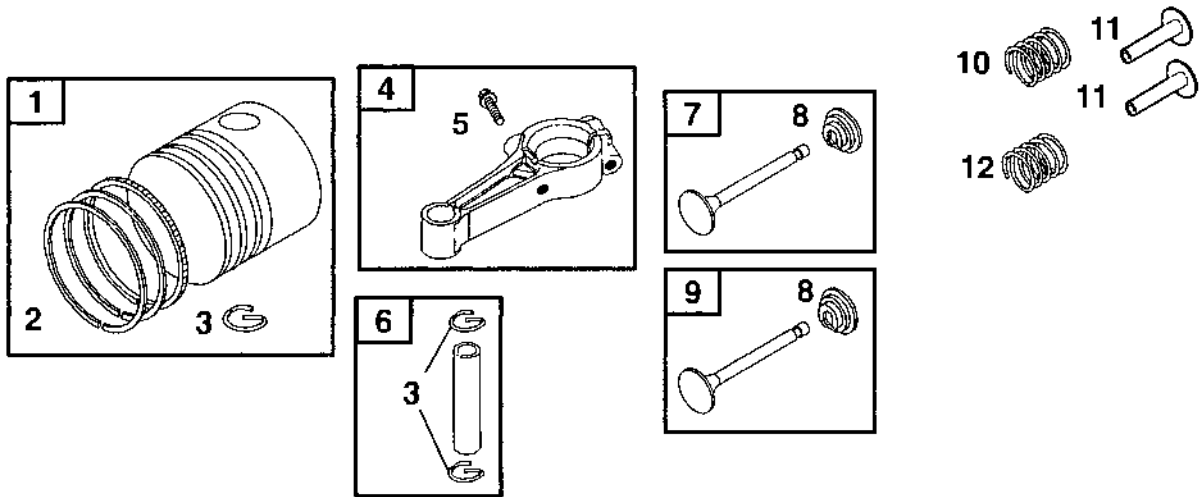
A

15 



Utgåva Issue 2003-43		Bildnr Picture No 1476		BRIGGS & STRATTON 10D902 CYLINDER		BRIGGS & STRATTON 10D902 CYLINDER		Sida Page 344	
Pos. Fig.	Antal/Quantity			Art nr Part No	Benämning	Description	Sats Kit	Anmärkning Notes	
	10D 902- 0129	10D 902- 0141	10D 902- 0142						
A01	1	1	1	399164	Cylinder kpl.....	Cylinder assy.....			
A02	1	1	1	399269	• Bussning.....	• Bushing.....			
A03	1	1	1	299819	• Tätningring.....	• Oil seal.....	S		
A04	2	2	2	690959	• Tapp.....	• Locating pin.....			
A05	1	1	1	690400	Skyddsplåt.....	Cylinder shield.....			
A06	1	1	1	690345	Skruv.....	Screw.....			
A07	1	1	1	691245	Rör.....	Breather tube.....			
A08	1	1	1	495785	Vevhusventilation.....	Breather.....			
A09	1	1	1	272602	• Packning.....	• Gasket.....	S		
A09	1	1	1	695890	• Packning.....	• Gasket.....	S		
A10	2	2	2	691666	Skruv.....	Screw.....			
A11	1	1	1	691107	Skruv.....	Screw.....			
A12	1	1	1	691912	Regulatorvinge.....	Governor blade.....			
A13	8	8	8	691697	Skruv.....	Screw.....			
A14	1	1	1	690386	Topplöck.....	Cylinder head.....			
A15	1	1	1	692889	Distans.....	Spacer.....			
A16	1	1	1	692288	Topplöckspackning.....	Cylinder head gasket.....	S		
A17	1	1	1	691702	• Ventilsåte- utblås.....	• Valve seat- exhaust.....			
A18	1	1	1	691701	• Ventilsåte- insug.....	• Valve seat- intake.....			
A19	1	1	1	231348	• Ventilstyrning- utblås.....	• Guide bushing- exhaust.....			
A19	1	1	1	63709	• Ventilstyrning- insug.....	• Guide- intake valve.....			
A20	1	1	1	270345	• Packning.....	• Gasket.....	S		
A21	2	2	2	691111	• Skruv.....	• Screw.....			
A22	1	1	1	693446	Insugningsrör.....	Intake manifold.....			
A23	1	1	1	1111-9029-01	Tändstiftsnyckel.....	Spark plug wrench.....			
A24	1	1	1	66538	Tändstiftsskydd.....	Spark plug elbow.....			
A25	1	1	1	9400-0225-00	Tändstift.....	Spark plug.....		Champion J19LM	
A27	1	1	1	691440	Oljesticka kpl.....	Dipstick assy.....			
A28	1	1	1	691870	• Tätningring.....	• Seal.....			
A29	1	1	1	691320	• Påfyllningsrör.....	• Dipstick tube.....			
A30	1	1	1	692040	• Oljesticka.....	• Dipstick.....			
A31	1	1	1	691002	• Skruv.....	• Screw.....			
A32	1	1	1	691876	• Tätningring.....	• Dipstick tube seal.....	S		
A33	1	1	1	694531	• Påfyllningsrör.....	• Dipstick tube.....			
A34	1	1	1	691913	• Oljesticka.....	• Oil dipstick.....			

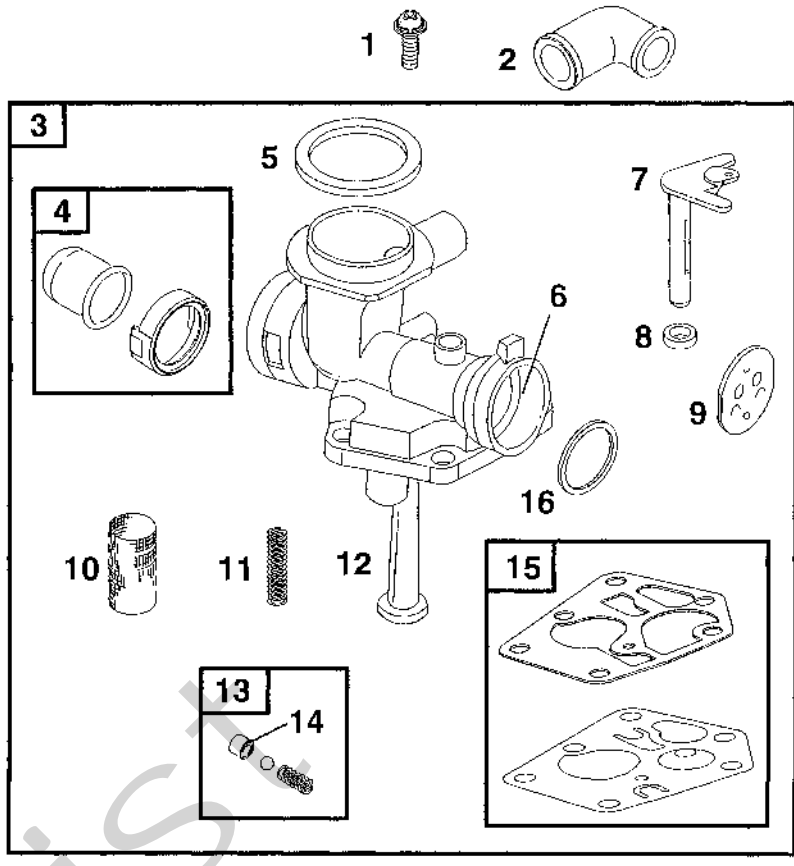
A



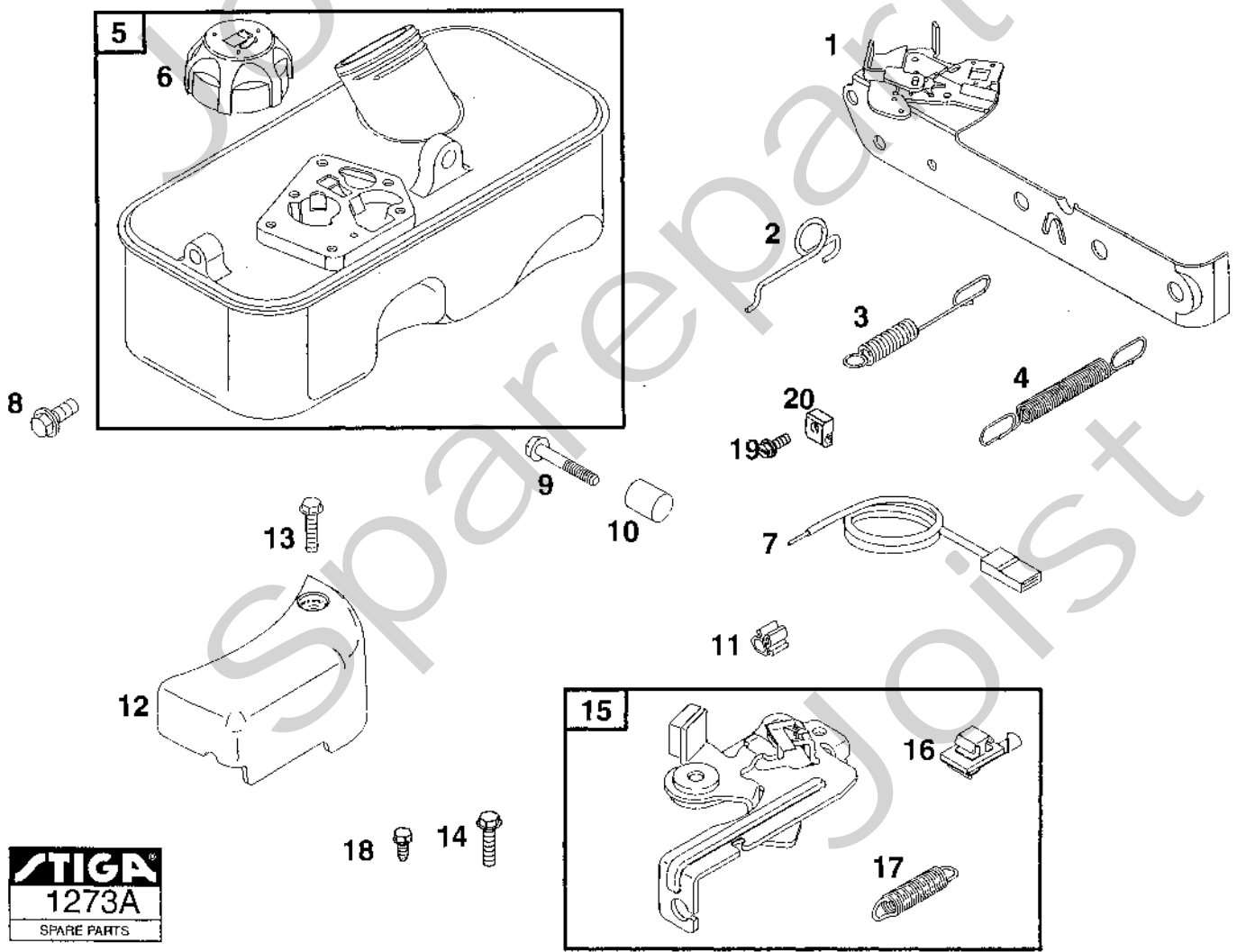
31 ENGINE GASKET SET

Utgåva Issue		Bildnr Picture No		BRIGGS & STRATTON 10D902 VEVAXEL VEVHUS		BRIGGS & STRATTON 10D902 CRANKSHAFT CRANKCASE		Sida Page	
2003-43		1477						346	
Pos. Fig.	Antal/Quantity			Art nr Part No	Benämning	Description	Sats Kit	Anmärkning Notes	
	10D 902- 0129	10D 902- 0141	10D 902- 0142						
A01	1	1	1	498668	Kolv kpl.....	Piston assy		Standard	
A01	1	1	1	498669	Kolv kpl.....	Piston assy010" oversize	
A01	1	1	1	498670	Kolv kpl.....	Piston assy020" oversize	
A01	1	1	1	498671	Kolv kpl.....	Piston assy030" oversize	
A02	1	1	1	498680	• Kolvringsatts.....	• Ring set.....		Standard	
A02	1	1	1	498681	• Kolvringsatts.....	• Ring set.....		.010" oversize	
A02	1	1	1	498682	• Kolvringsatts.....	• Ring set.....		.020" oversize	
A02	1	1	1	498683	• Kolvringsatts.....	• Ring set.....		.030" oversize	
A03	2	2	2	691588	• Låsring	• Piston pin lock			
A04	1	1	1	496792	Vevstake	Connecting rod			
A05	2	2	2	691664	• Skruv	• Screw			
A06	1	1	1	298908	Kolvbult kpl.....	Piston pin assy.....		.005" oversize	
A06	1	1	1	298909	Kolvbult kpl.....	Piston pin assy.....		Standard	
A07	1	1	1	296676	Utblåsningsventil	Exhaust valve			
A08	2	2	2	692194	• Ventilhållare	• Valve retainer			
A09	1	1	1	296677	Insugningsventil	Intake valve			
A10	1	1	1	690520	Ventilfjäder	Valve spring			
A11	2	2	2	691762	Ventillyftare	Valve tappet			
A12	1	1	1	690520	Ventilfjäder	Valve spring			
A13	1	1	1	691471	Vevaxel	Crankshaft.....			
A14	1	1	1	499047	• Stift	• Pin.....			
A15	1	1	1	691805	• Drev	• Timing gear.....			
A16	1	1	1	222698	Kil	Key			
A17	1	1	1	691998	Kamaxel.....	Camshaft.....			
A18	1	1	1	691983	Oljeslungare.....	Oil slinger.....			
A19	1	1	1	293709	• Bussning.....	• Bushing.....			
A20	1	1	1	391483	• Tätningsring	• Oil seal	S		
A21	1	1	1	395384	Vevhus.....	Oil sump			
A22	1	1	1	270895	• Vevhuspackning	• Crankcase gasket	S	.005" thick	
A22	1	1	1	270896	• Vevhuspackning	• Crankcase gasket	S	.009" thick	
A22	1	1	1	692218	• Vevhuspackning	• Crankcase gasket	S	.015" thick (Standard)	
A23	1	1	1	691680	Oljeavtappningsplugg	Oil drain plug			
A24	6	6	6	691662	Skruv	Screw			
A31	1	1	1	298989	Packningssats	Gasket set		Märkta/marked S	

A

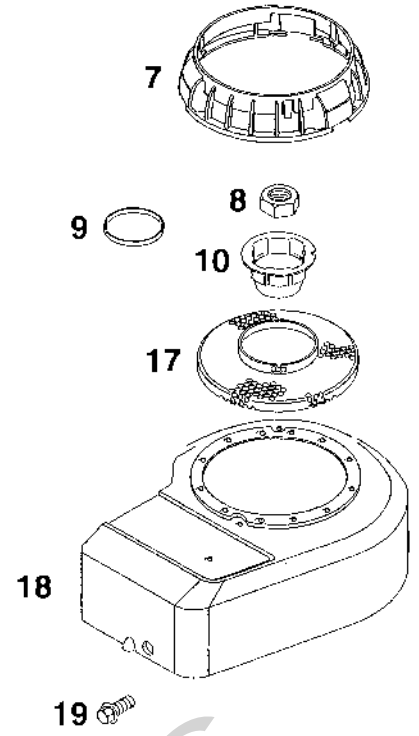
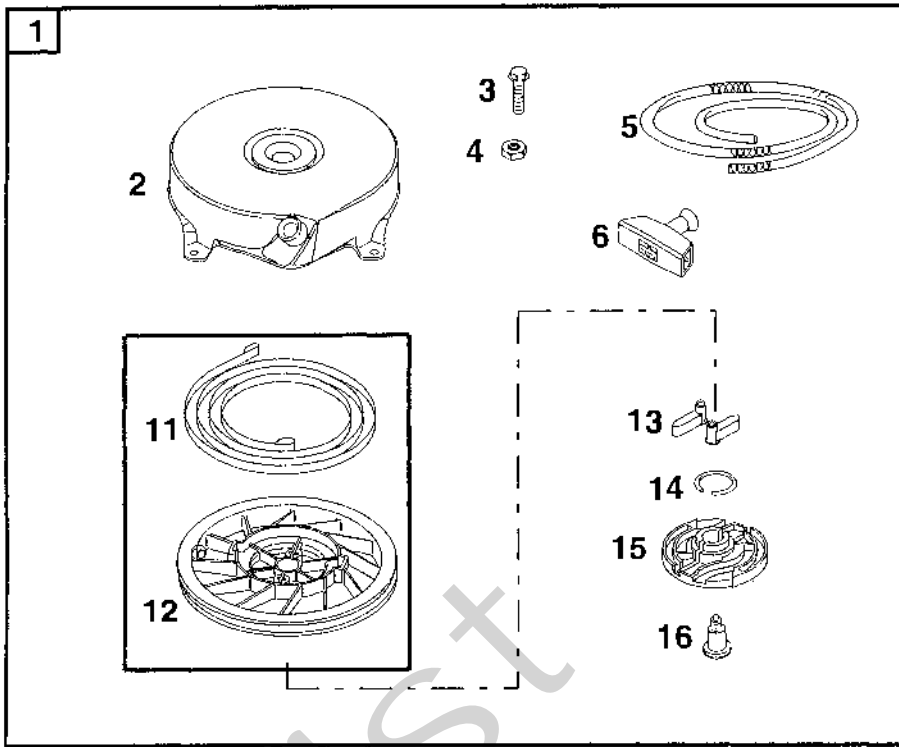


B

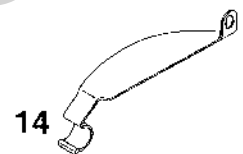
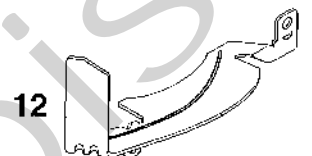
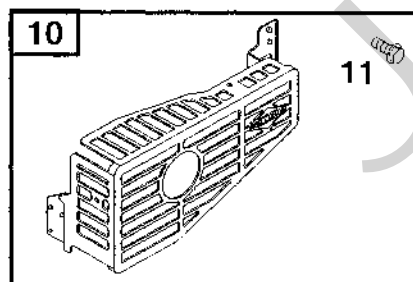
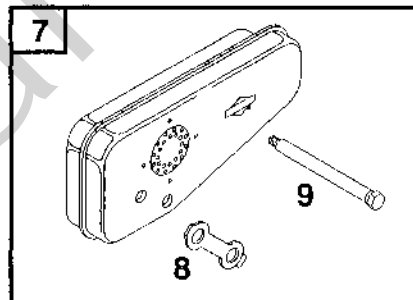
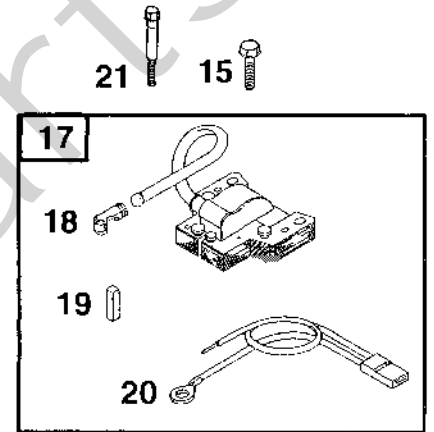
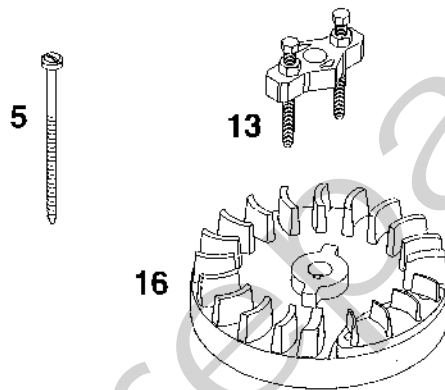
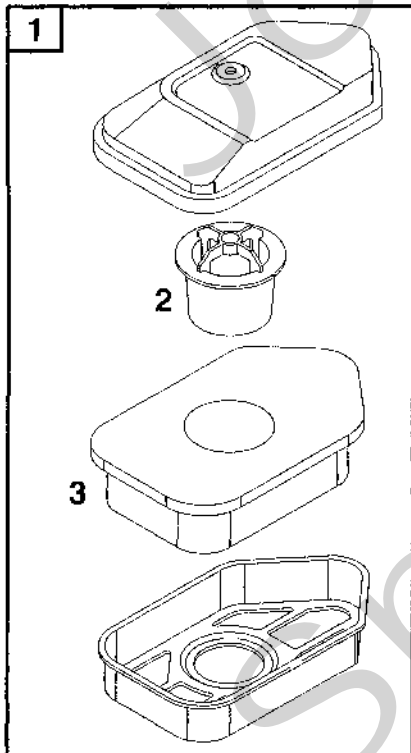


Utgåva Issue 2003-43		Bildnr Picture No 1273A		BRIGGS & STRATTON 10D902 FÖRGASARE BRÄNSLETANK		BRIGGS & STRATTON 10D902 CARBURETTOR FUEL TANK		Sida Page 348
Pos. Fig.	Antal/Quantity			Art nr Part No	Benämning	Description	Sats Kit	Anmärkning Notes
	10D 902- 0129	10D 902- 0141	10D 902- 0142					
A01	4	4	4	692200	Skruv	Screw		
A02	1	1	1	692189	Hylsa	Grommet		
A03	1	1	1	498811	Förgasare kpl	Carburettor assy		
A04	1	1	1	494408	• Primer	• Primer bulb		
A04	1	1	1	694394	• Primer	• Carburettor primer		
A05	1	1	1	271139	• Packning	• Gasket		
A06	1	1	1	270344	• Tätning	• Seal		
A07	1	1	1	691931	• Spjällaxel	• Throttle shaft		
A08	1	1	1	691321	• Dammtätning	• Dust seal		
A09	1	1	1	691190	• Gasspjäll	• Throttle valve		
A10	1	1	1	691837	• Nät	• Screen		
A11	1	1	1	691839	• Fjäder	• Spring		
A12	1	1	1	496046	• Bränslerör	• Fuel pipe		
A13	1	1	1	494409	• Ventilsåte	• Check valve seat		
A14	1	1	1	691901	• Såte	• Inlet seat		
A15	1	1	1	495770	• Membran	• Diaphragm		
A16	1	1	1	695866	• O-ring	• O-ring seal		
B01	1	1	1	691446	Reglageplåt	Control bracket		
B02	1	1	1	690347	Regulatorlänk	Air vane link		
B03	1	1	1	690251	Regulatorfjäder	Governor spring		
B03	1	1	1	690254	Regulatorfjäder	Governor spring		
B04	1	1	1	691859	Fjäder	Idle spring		
B05	1	1	1	494406	Bränsletank	Fuel tank		
B06	1	1	1	497929	• Tanklock	• Fuel cap		
B07	1	1	1	692390	Stoppkabel	Stop wire		
B08	1	1	1	692198	Skruv	Screw		
B09	1	1	1	691697	Skruv	Screw		
B10	1	1	1	691633	Distans	Spacer		
B11	1	1	1	690586	Wireklämma	Wire clip		
B12	1	1	1	691349	Kåpa	Linkage cover		
B13	1	1	1	691111	Skruv	Screw		
B14	2	2	2	691146	Skruv	Screw		
B15	1	1	1	691487	Broms	Brake		
B16	1	1	1	692310	• Stoppkontakt	• Stop switch		
B17	1	1	1	692135	• Bromsfjäder	• Brake spring		
B18	1	1	1	690859	Skruv	Screw		
B19	1	1	1	691044	Skruv	Screw		
B20	1	1	1	690798	Wireklämma	Casing clamp		

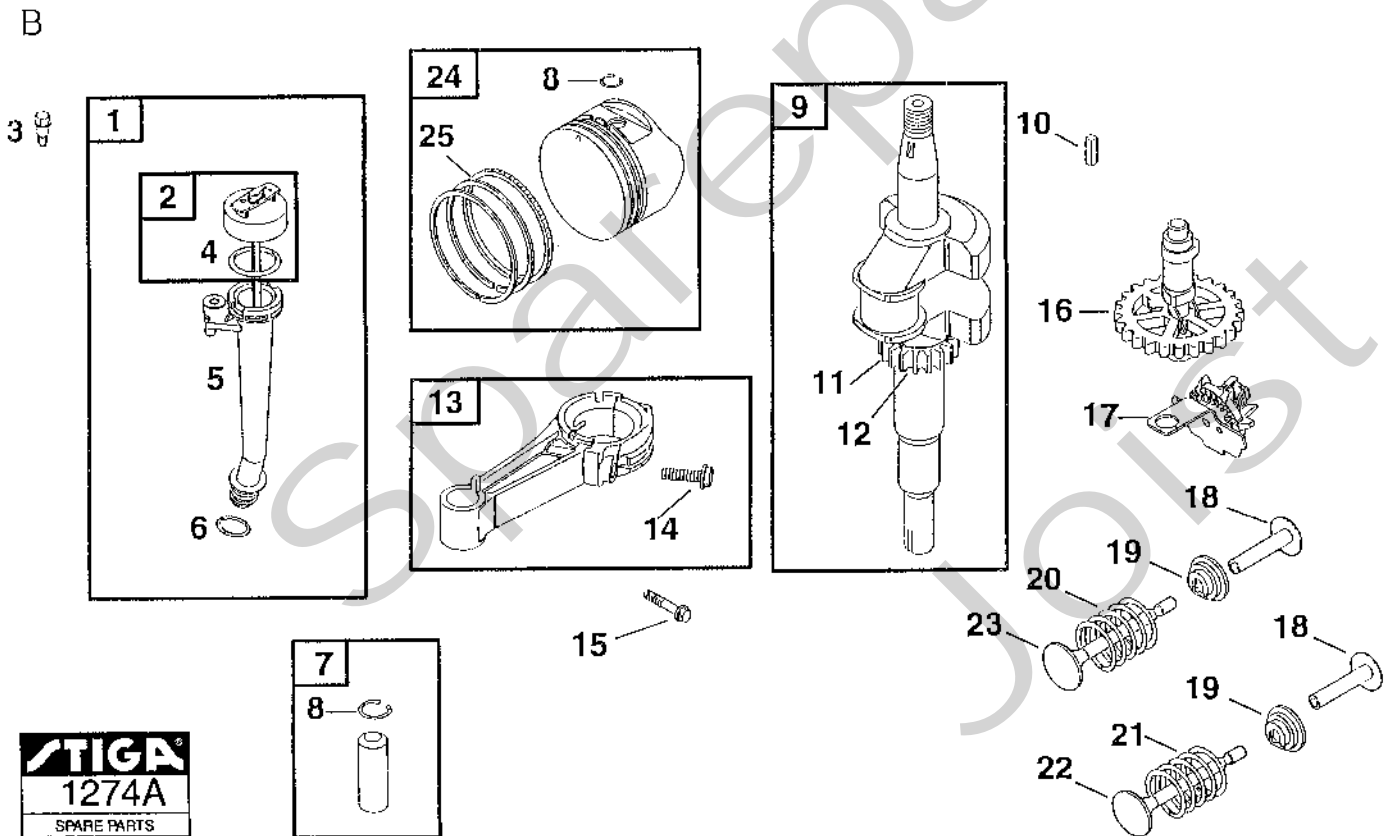
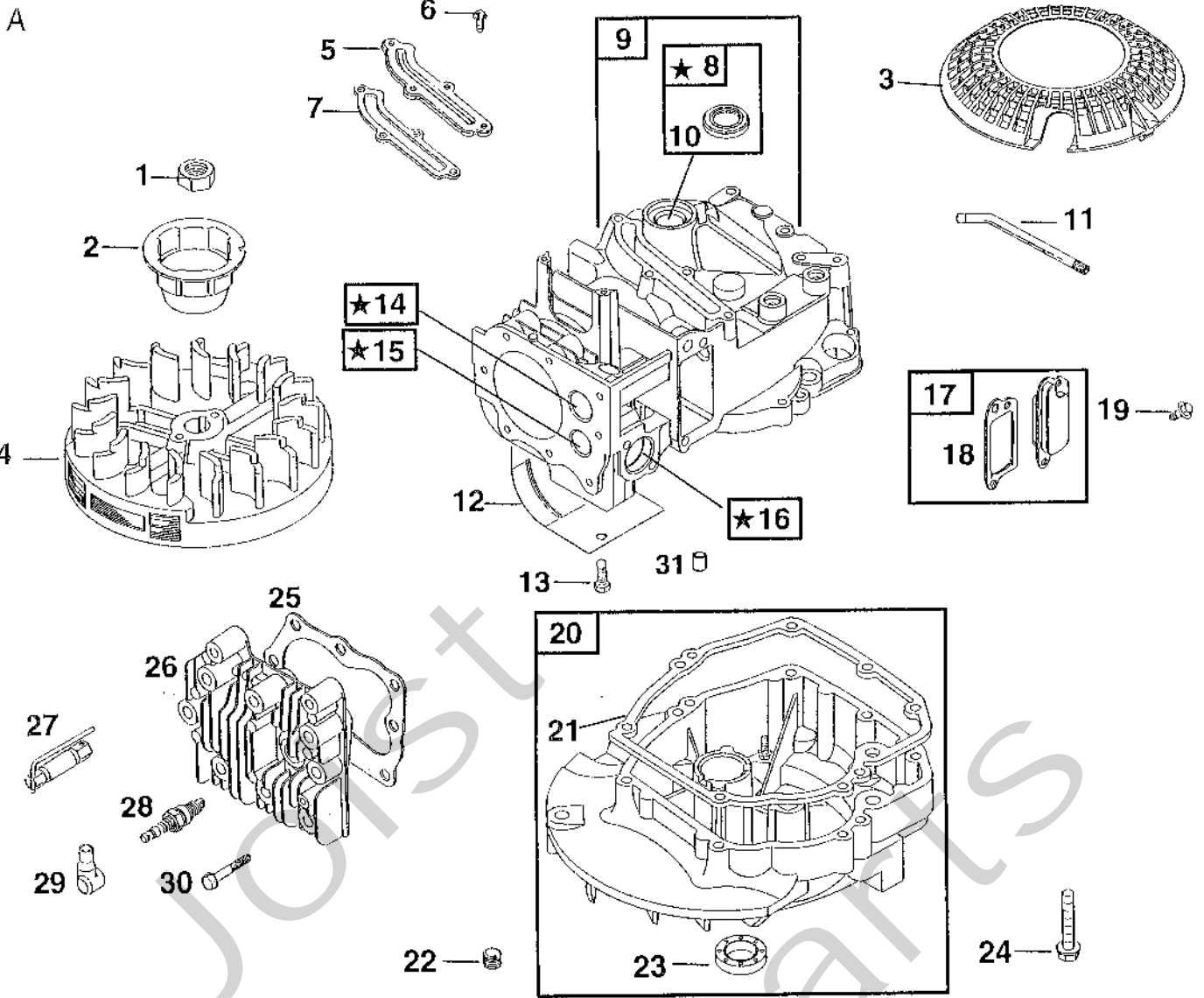
A



B

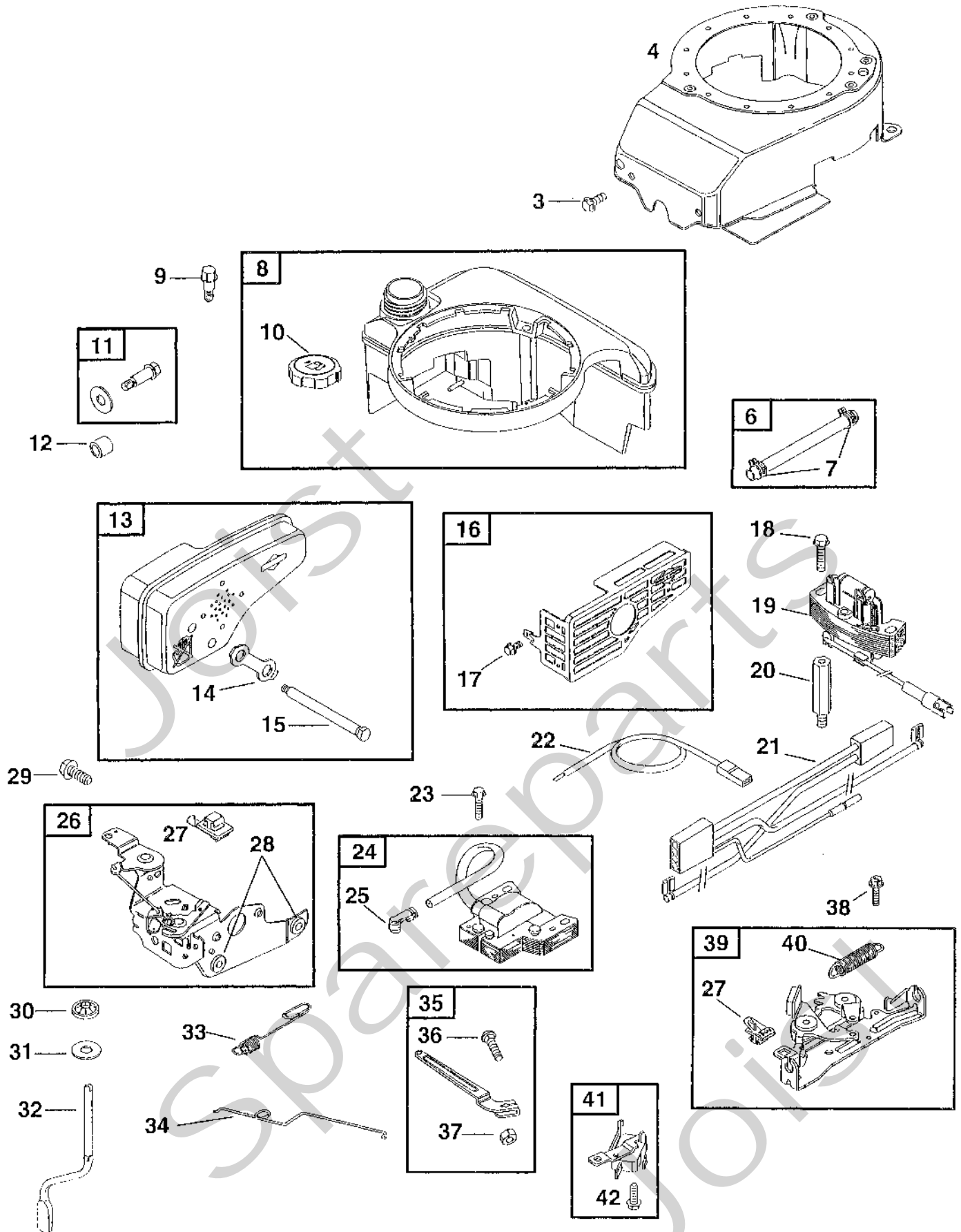


Utgåva Issue		Bildnr Picture No		BRIGGS & STRATTON 10D902 START LUFTFILTER		BRIGGS & STRATTON 10D902 STARTER AIR CLEANER		Sida Page	
2003-43		1272A						350	
Pos. Fig.	Antal/Quantity			Art nr Part No	Benämning	Description	Sats Kit	Anmärkning Notes	
	10D 902- 0129	10D 902- 0141	10D 902- 0142						
A01	1	1	1	499706	Start kpl.....	Rewind starter.....			
A02	1	1	1	692144	• Starthus.....	• Starter housing.....			
A03	4	4	4	690837	• Skruv.....	• Screw.....			
A04	4	4	4	690800	• Mutter.....	• Nut.....			
A05	1	1	1	692259	• Startsnöre.....	• Starter rope.....			
A06	1	1	1	691915	• Starthandtag.....	• Starter grip.....			
A07	1	1	1	691348	Skydd.....	Rewind guard.....			
A08	1	1	1	690662	Mutter.....	Flywheel nut.....			
A09	1	1	1	694420	Roterande platta.....	Rotating trim plate.....			
A10	1	1	1	691236	Svänghjulskopp.....	Flywheel cup.....			
A11	1	1	1	499901	• Lnhjul m fjäder.....	• Pulley and spring.....			
A12	1	1	1	499901	• Lnhjul m fjäder.....	• Pulley and spring.....			
A13	2	2	2	281505	• Startklo.....	• Starter pawl.....			
A14	1	1	1	691855	• Friktionsfjäder.....	• Friction spring.....			
A15	1	1	1	692299	• Spärrplatta.....	• Pawl friction plate.....			
A16	1	1	1	691696	• Skruv.....	• Screw.....			
A17	1	1	1	691235	Skyddsnet.....	Rotating screen.....			
A18	1	1	1	691484	Fläkthus.....	Blower housing.....			
A19	3	3	3	692198	Skruv.....	Screw.....			
B01	1	1	1	493492	Luftfilter.....	Air cleaner.....			
B02	1	1	1	691911	• Stöd.....	• Support.....			
B03	1	1	1	272235	• Filterinsats.....	• Air cleaner filter.....			
B04	1	1	1	271139	Packning.....	Gasket.....			
B05	1	1	1	691417	Skruv.....	Screw.....			
B07	1	1	1	394644	Ljuddämpare.....	Muffler.....			
B07	1	1	1	692307	Ljuddämpare.....	Muffler.....			
B08	1	1	1	691179	• Låsbleck.....	• Screw lock.....			
B09	2	2	2	691413	• Skruv.....	• Screw.....			
B10	1	1	1	494896	Ljuddämparskydd.....	Muffler guard.....			
B11	2	2	2	690664	• Skruv.....	• Screw.....			
B12	1	1	1	691209	Svänghjulsskydd.....	Flywheel guard.....			
B13	1	1	1	19069	Avdragare.....	Puller.....			
B14	1	1	1	690482	Svänghjulsskydd.....	Flywheel guard.....			
B15	2	2	2	691061	Skruv.....	Screw.....			
B16	1	1	1	692009	Svänghjul.....	Flywheel.....			
B17	1	1	1	496914	Tändsystem kpl.....	Magneto armature.....			
B18	1	1	1	493880	• Anslutningshylsa.....	• Terminal.....			
B19	1	1	1	222698	• Kil.....	• Key.....			
B20	1	1	1	398808	• Kortslutningskabel.....	• Ground wire.....			
B21		1	1	691107	Skruv.....	Screw.....			



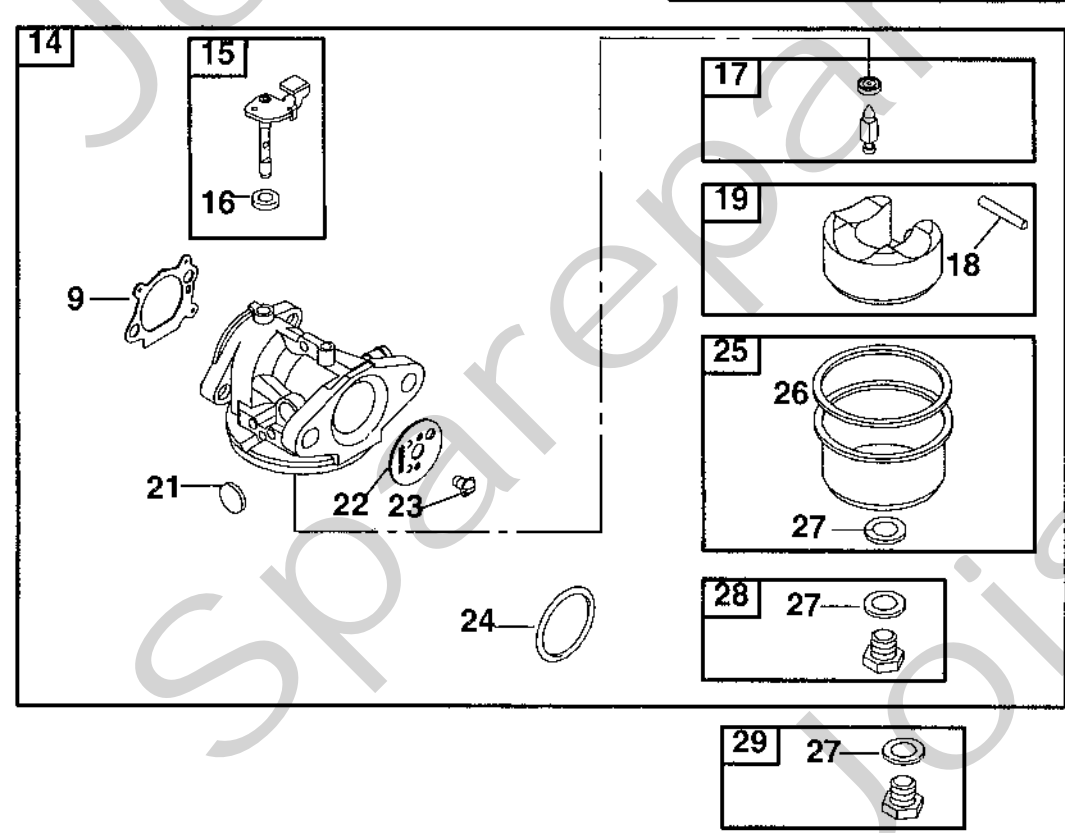
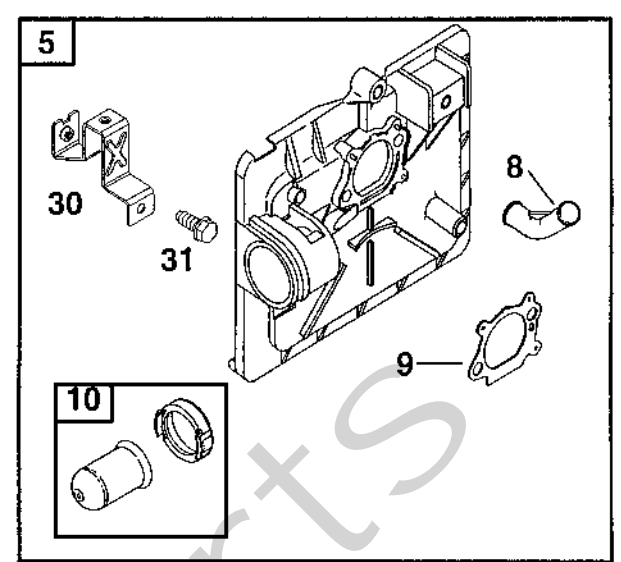
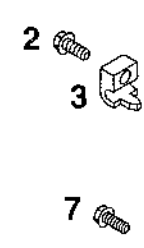
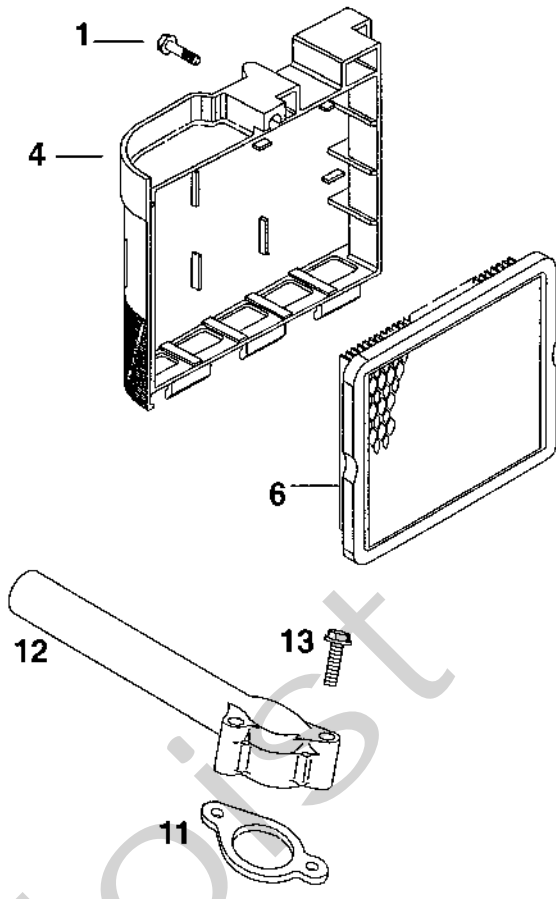
Utgåva Issue		Bildnr Picture No		BRIGGS & STRATTON 127707 CYLINDER VEVAXEL		BRIGGS & STRATTON 127707 CYLINDER CRANKSHAFT		Sida Page	
2003- 43		1274A						362	
Pos. Fig.	Antal/Quantity			Art nr Part No	Benämning	Description	Sats Kit	Anmärkning Notes	
	127 707- 1716	127 707- 1792							
A01	1	1		690662	Mutter.....	Flywheel nut.....			
A02	1	1		695161	Svånghjuls-kopp.....	Flywheel cup.....			
A03	1	1		691919	Skydd.....	Rewind guard.....			
A04	1	1		691987	Svånghjul.....	Flywheel.....			
A05	1	1		692342	Lock.....	Cover.....			
A06	4	4		690345	Skruv.....	Screw.....			
A07	1	1		691879	Packning.....	Gasket.....			
A08	1	1		399269	• Bussning.....	• Bushing.....			
A09	1	1		697322	Cylinder kpl.....	Cylinder assy.....			
A10	1	1		299819	• Tätningsring.....	• Oil seal.....			
A11	1	1		691781	Ventilationsrör.....	Breather tube.....			
A12	1	1		690450	Cylinderskydd.....	Cylinder shield.....			
A13	1	1		690345	Skruv.....	Screw.....			
A14	1	1		691155	• Ventilåte- insug.....	• Valve seat- intake.....			
A15	1	1		690380	• Ventilåte- utblås.....	• Valve seat- exhaust.....			
A16	1	1		262001	• Ventilstyrning- utblås.....	• Valve guide- exhaust.....			
A16	1	1		63709	• Ventilstyrning- insug.....	• Guide- intake valve.....			
A17	1	1		695250	Vevhusventilation.....	Breather.....			
A18	1	1		696125	• Packning.....	• Gasket.....			
A19	2	2		691125	Skruv.....	Screw.....			
A20	1	1		493279	Vevhus.....	Engine sump.....			
A21	1	1		692232	• Packning.....	• Gasket.....			
A22	1	1		691680	Oljeavtappningsplugg.....	Oil drain plug.....			
A23	1	1		399781	• Tätningsring.....	• Oil seal.....			
A24	7	7		691092	Skruv.....	Screw.....			
A25	1	1		692249	Packning.....	Gasket.....			
A26	1	1		691160	Topplöck.....	Cylinder head.....			
A27	1	1		1111- 9029- 01	Tändstiftsnyckel.....	Spark plug wrench.....			
A28	1	1		9400- 0225- 00	Tändstift.....	Spark plug.....		Champion J19LM	
A29	1	1		66538	Tändstiftsskydd.....	Spark plug elbow.....			
A30	8	8		690912	Skruv.....	Screw.....			
A31	2	2		690959	Tapp.....	Locating pin.....			
B01	1	1		692017	Oljesticka kpl.....	Oil dipstick assy.....			
B02	1	1		495264	• Oljesticka.....	• Oil dipstick.....			
B03	1	1		690940	Skruv.....	Screw.....			
B04	1	1		691031	• O- ring.....	• O- ring.....			
B05	1	1		495265	• Oljepåfyllningsrör.....	• Oil filler tube.....			
B06	1	1		692296	• Tätningsring.....	• Tube seal.....			
B07	1	1		499423	Kolvbult.....	Piston pin.....			
B08	2	2		691866	• Låsring.....	• Lock ring.....			
B09	1	1		691452	Vevaxel.....	Crankshaft.....			
B10	1	1		222698	Kil.....	Key.....			
B11	1	1		691830	• Drev.....	• Timing gear.....			
B12	1	1		690979	• Kil.....	• Timing key.....			
B13	1	1		499424	Vevstake.....	Connecting rod.....			
B14	1	1		691664	• Skruv.....	• Screw.....			
B15	1	1		695759	Skruv.....	Screw.....			
B16	1	1		691449	Kamaxel.....	Camshaft.....			
B17	1	1		691997	Oljeslångare.....	Oil slinger.....			
B18	2	2		690548	Ventillyftare.....	Valve tappet.....			
B19	2	2		692194	Ventilhållare.....	Valve retainer.....			
B20	1	1		691270	Ventilfjäder.....	Valve spring.....			
B21	1	1		691270	Ventilfjäder.....	Valve spring.....			
B22	1	1		262651	Utblåsningsventil.....	Exhaust valve.....			
B23	1	1		262652	Insugningsventil.....	Intake valve.....			
B24	1	1		499429	Kolv kpl.....	Piston assy.....		Standard	
B24	1	1		499430	Kolv kpl.....	Piston assy.....		.010" oversize	
B24	1	1		499431	Kolv kpl.....	Piston assy.....		.020" oversize	
B24	1	1		499432	Kolv kpl.....	Piston assy.....		.030" oversize	
B25	1	1		499425	• Kolvringsatts.....	• Ring set.....		Standard	
B25	1	1		499426	• Kolvringsatts.....	• Ring set.....		.010" oversize	
B25	1	1		499427	• Kolvringsatts.....	• Ring set.....		.020" oversize	
B25	1	1		499428	• Kolvringsatts.....	• Ring set.....		.030" oversize	

A



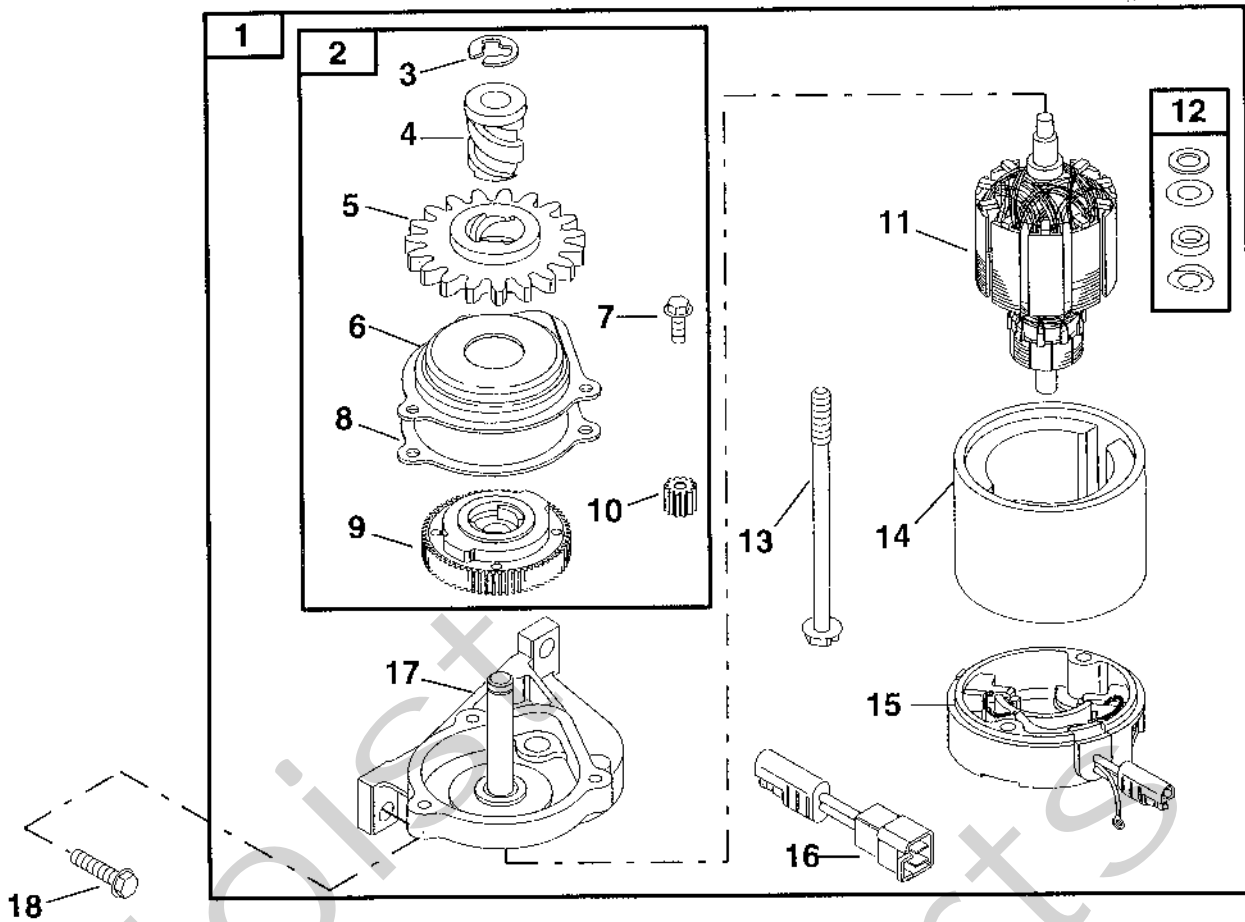
Utgåva Issue		Bildnr Picture No		BRIGGS & STRATTON 127707 BRÄNSLETANK REGULATOR		BRIGGS & STRATTON 127707 FUEL TANK GOVERNOR		Sida Page
2003-43		1275A						364
Pos. Fig.	Antal/Quantity			Art nr Part No	Benämning	Description	Sats Kit	Anmärkning Notes
	127 707- 1716	127 707- 1792						
X A03	4	4		691108	Skruv.....	Screw.....		
A04	1	1		493293	Fläkthus.....	Blower housing.....		
A06	1	1		691371	Bränsleslang.....	Fuel line.....		
A07	2	2		95162	Slangklämma.....	Hose clamp.....		
A08	1	1		695887	Bränsletank.....	Fuel tank.....		
A09	2	2		690940	Skruv.....	Screw.....		
A10	1	1		397974	• Tanklock.....	• Fuel cap.....		
A11	1	1		692311	Skruv/bricka.....	Screw/washer.....		
A12	1	1		692294	Distans.....	Spacer.....		
A13	1	1		496106	Ljuddämpare.....	Muffler.....		
A14	1	1		691740	• Låsbleck.....	• Screw lock.....		
A15	2	2		691340	• Skruv.....	• Screw.....		
A16	1	1		499034	Skydd.....	Guard.....		
A17	2	2		690664	• Skruv.....	• Screw.....		
A18	2	2		691648	Skruv.....	Screw.....		
A19	1	1		691991	Generator.....	Alternator.....		
A20	2	2		691094	Pinnbult.....	Stud.....		
A21	1	1		696547	Kablage.....	Wiring harness.....		
A22	1	1		692390	Stoppkabel.....	Stop wire.....		
A23	2	2		691061	Skruv.....	Screw.....		
A24	1	1		802574	Tändsystem.....	Magneto armature.....		
A25	1	1		493880	• Anslutningshylsa.....	• Terminal.....		
A26	1	1		692031	Reglageplåt.....	Control bracket.....		
A27	2	2		692310	• Stoppkontakt.....	• Stop switch.....		
A28	1	1		493823	• Distans.....	• Spacer.....		2 st/includes 2
A29	2	2		690877	Skruv.....	Screw.....		
A30	1	1		690340	Hållare.....	Retainer.....		
A31	1	1		690272	Bricka.....	Washer.....		
X A32	1	1		698801	Regulatoraxel.....	Governor crank.....		
A33	1			691292	Regulatorfjäder.....	Governor spring.....		
A33		1		691852	Regulatorfjäder.....	Governor spring.....		
A34	1	1		691829	Regulatorlänk.....	Governor link.....		
A35	1	1		690783	Regulatorarm.....	Govern. control lever.....		
A36	1	1		92613	• Skruv.....	• Screw.....		
A37	1	1		691251	• Mutter.....	• Nut.....		
A38	2	2		691648	Skruv.....	Screw.....		
A39	1	1		691994	Broms.....	Brake.....		
A40	1	1		691831	• Bromsfjäder.....	• Brake spring.....		
A41	1	1		499421	Brytare.....	Switch.....		
A42	1	1		691627	• Skruv.....	• Screw.....		

A

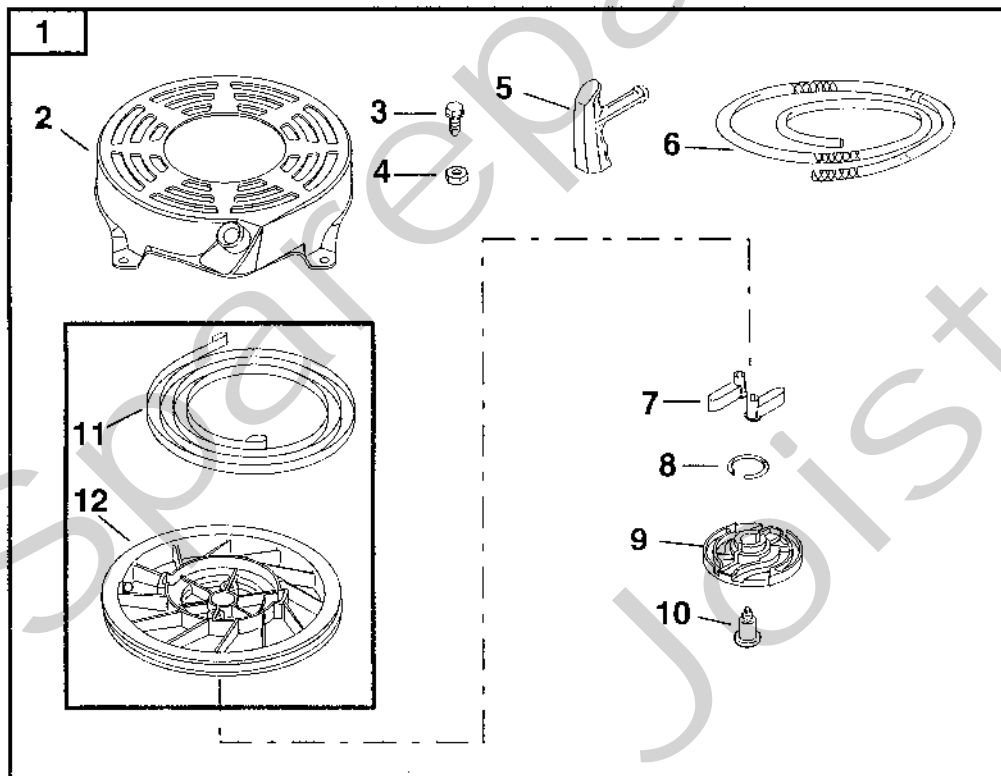


Utgåva Issue		Bildnr Picture No		BRIGGS & STRATTON 127707 LUFTFILTER FÖRGASARE		BRIGGS & STRATTON 127707 AIR CLEANER CARBURETTOR		Sida Page	
2003-43		1276A						366	
Pos. Fig.	Antal/Quantity			Art nr Part No	Benämning	Description	Sats Kit	Anmärkning Notes	
	127 707- 1716	127 707- 1792							
A01	1	1		690670	Skruv	Screw			
A02	1	1		691044	Skruv	Screw			
A03	1	1		690798	Wireklämma	Casing clamp			
A04	1	1		692298	Luftrenarlock	Air cleaner cover			
A05	1	1		496116	Luftrenarfäste	Air cleaner base			
A06	1	1		491588	Pappersfilter	Air filter			
A07	2	2		692523	Skruv	Screw			
A08	1	1		691923	• Hylsa	• Grommet			
A09	1	1		272653	• Packning	• Gasket			
A10	1	1		694395	• Primer	• Primer			
A11	1	1		272199	Packning	Gasket			
A12	1	1		497465	Insugningsrör	Intake pipe			
A13	2	2		691650	Skruv	Screw			
A14	1	1		498170	Förgasare kpl	Carburettor assy			
A15	1	1		696565	• Spjällaxel	• Throttle shaft			
A16	1	1		691321	•• Dammtätning	•• Dust seal			
A17	1	1		398188	• Bränstenål	• Inlet valve			
A18	1	1		691242	•• Flottöraxel	•• Float hinge pin			
A19	1	1		398187	• Flottör	• Float			
A20	2	2		692524	Skruv	Screw			
A21	1	1		694468	• Expansionsbricka	• Welch plug			
A22	1	1		691203	• Gasspjäll	• Throttle valve			
A23	1	1		691636	• Skruv	• Screw			
A24	1	1		270344	• Tätning	• Seal			
A25	1	1		493640	• Flottörhus	• Bowl			
A26	1	1		693981	•• Packning	•• Gasket			
A27	1	1		271716	•• Tätningsbricka	•• Sealing washer			
A28	1	1		494870	• Huvudmunstycke	• Main jet		Standard	
A29	1	1		497315	Huvudmunstycke	Main jet		High altitude	
A30	1	1		691753	• Fäste	• Bracket			
A31	1	1		691669	• Skruv	• Screw			

A

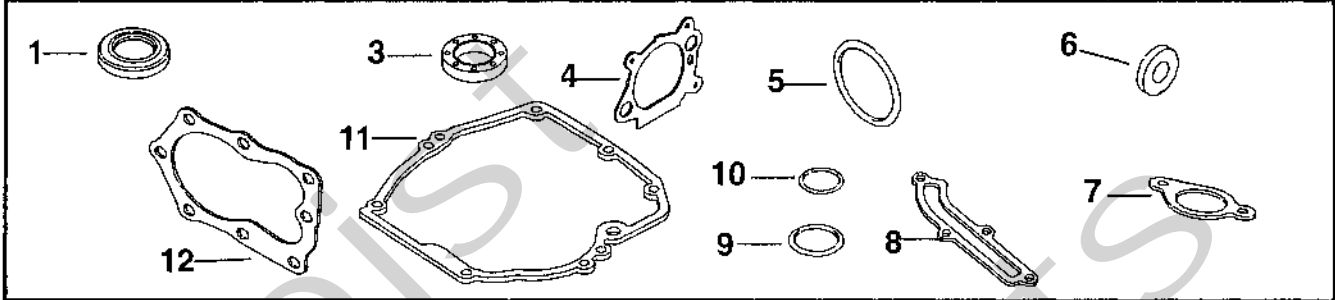


B

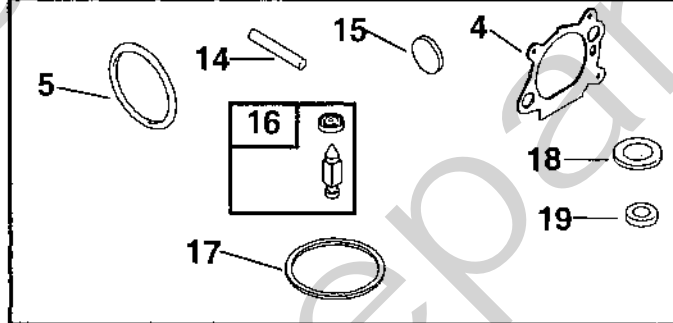


Utgåva Issue		Bildnr Picture No		BRIGGS & STRATTON 127707 STARTMOTOR SNÖRSTART		BRIGGS & STRATTON 127707 STARTER MOTOR REWIND STARTER		Sida Page
Pos. Fig.	Antal/Quantity		Art nr Part No	Benämning	Description	Sats Kit	Anmärkning Notes	
	127 707- 1716	127 707- 1792						
A01	1	1	695550	Startmotor kpl	Starter motor assy			
A02	1	1	494147	• Drev kpl	• Drive kit			
A03	1	1	93941	•• Låsring	•• Retainer			
A04	1	1	691325	•• Snäckdrev	•• Starter spline			
A05	1	1	691918	•• Drev	•• Pinion gear			
A06	1	1	692341	•• Lock	•• Cover			
A07	3	3	690345	•• Skruv	•• Screw			
A08	1	1	692352	•• Packning	•• Gasket			
A09	1	1	692358	•• Koppling	•• Drive clutch			
A10	1	1	691269	•• Drev	•• Pinion gear			
A11	1	1	690786	• Rotor	• Starter armature			
A12	1	1	492919	• Brickor	• Washer set			
A13	2	2	692327	• Bult	• Bolt			
A14	1	1	695266	• Starthus	• Starter housing			
A15	1	1	695267	• Bottenkåpa	• End cap			
A16	1	1	695268	• Kabeladapter	• Wire adapter			
A17	1	1	690782	• Lock	• Drive cap			
A18	2	2	691127	Skruv	Screw			
B01	1	1	497680	Start kpl	Starter assy			
B02	1	1	691421	• Starthus	• Starter housing			
B03	4	4	690837	• Skruv	• Screw			
B04	4	4	690800	• Mutter	• Nut			
B05	1	1	281434	• Starthandtag	• Handle			
B06	1	1	692259	• Startsnöre	• Starter rope			
B07	2	2	281505	• Startklo	• Starter pawl			
B08	1	1	691855	• Friktionsfjäder	• Friction spring			
B09	1	1	692299	• Spärrplatta	• Pawl friction plate			
B10	1	1	691696	• Skruv	• Screw			
B11	1	1	498144	• Linhjul m.fjäder	• Pulley/spring			
B12	1	1	498144	• Linhjul m.fjäder	• Pulley/spring			

23 ENGINE GASKET SET



21 CARBURETOR OVERHAUL KIT



22 CARBURETOR GASKET SET



Utgåva Issue 2003-43		Bildnr Picture No 1278A		BRIGGS & STRATTON 127707 PACKNINGSSATS		BRIGGS & STRATTON 127707 GASKET SET		Sida Page 370	
Pos. Fig.	Antal/Quantity			Art nr Part No	Benämning	Description	Sats Kit	Anmärkning Notes	
	127 707- 1716	127 707- 1792							
A01	1	1		299819	• Tätningarring	• Oil seal			
A03	1	1		399781	• Tätningarring	• Oil seal			
A04	1	1		272653	• Packning	• Gasket			
A05	1	1		270344	• Tätning	• Seal			
A06	1	1		493823	• Distans	• Spacer			
A07	1	1		272199	• Packning	• Gasket			
A08	1	1		691879	• Packning	• Gasket			
A09	1	1		691031	• O-ring	• O-ring			
A10	1	1		692296	• Tätningarring	• Tube seal			
A11	1	1		692232	• Packning	• Gasket			
A12	1	1		692249	• Packning	• Gasket			
A14	1	1		691242	• Flottöraxel	• Float hinge pin			
A15	1	1		694468	• Expansionsbricka	• Welch plug			
A16	1	1		398188	• Bränslenål	• Inlet valve			
A17	1	1		693981	• Packning	• Gasket			
A18	1	1		271716	• Tätningbricka	• Sealing washer			
A19	1	1		691321	• Dammtätning	• Dust seal			
A21	1	1		498260	Rep.sats förgasare	Carb. overhaul kit			
A22	1	1		498261	Packn.sats- förg	Gasket set- carb.			
A23	1	1		497316	Packn.sats- motor	Gasket set- engine			