

# Genuine Spare Parts

www.stiga.com

## TURBO 48 PLUS B Model Year 2011

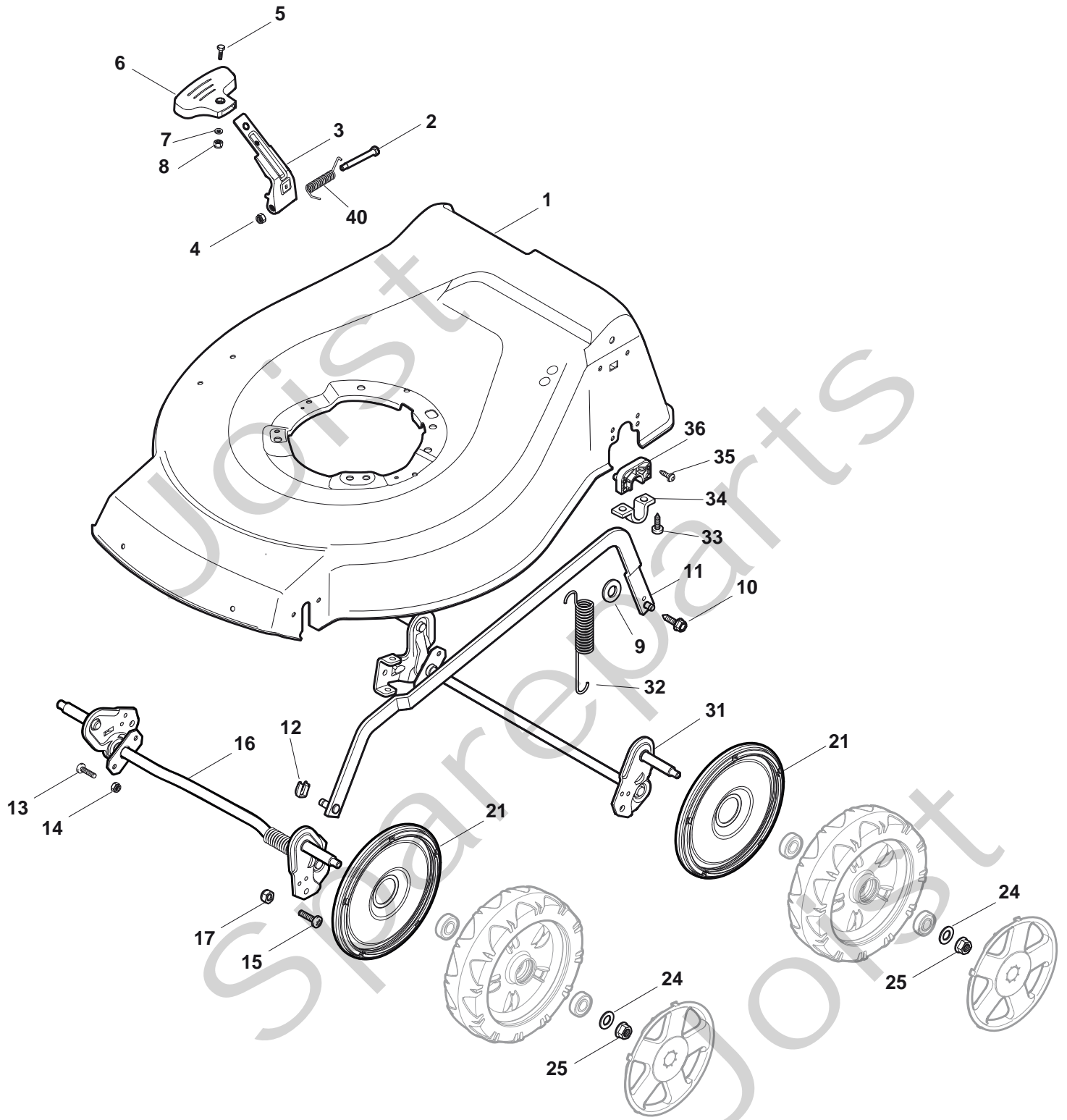
- Use GLOBAL GARDEN PRODUCT Genuine Spare Parts specified in the parts list for repair and/or replacement.
- The contents described in the parts list may change due to improvement.
- The drawings of the spare parts are only indicative and might not represent the part in question exactly.
- The indications "right" - "left" - "front" - "rear" refer to the position of the operator when using the machine.
- When placing orders of parts for repair and/or replacement, make sure that the illustrated parts list is the one applying to the machine's year of manufacture, as shown on the identification plate attached to the machine.

COPYRIGHT by GLOBAL GARDEN PRODUCTS

All rights reserved. No part of this material may be reproduced or transmitted, in any form or by any means, electronic or mechanical, including photocopying, recording or by any information storage and retrieval system, without permission in writing from GLOBAL GARDEN PRODUCTS.



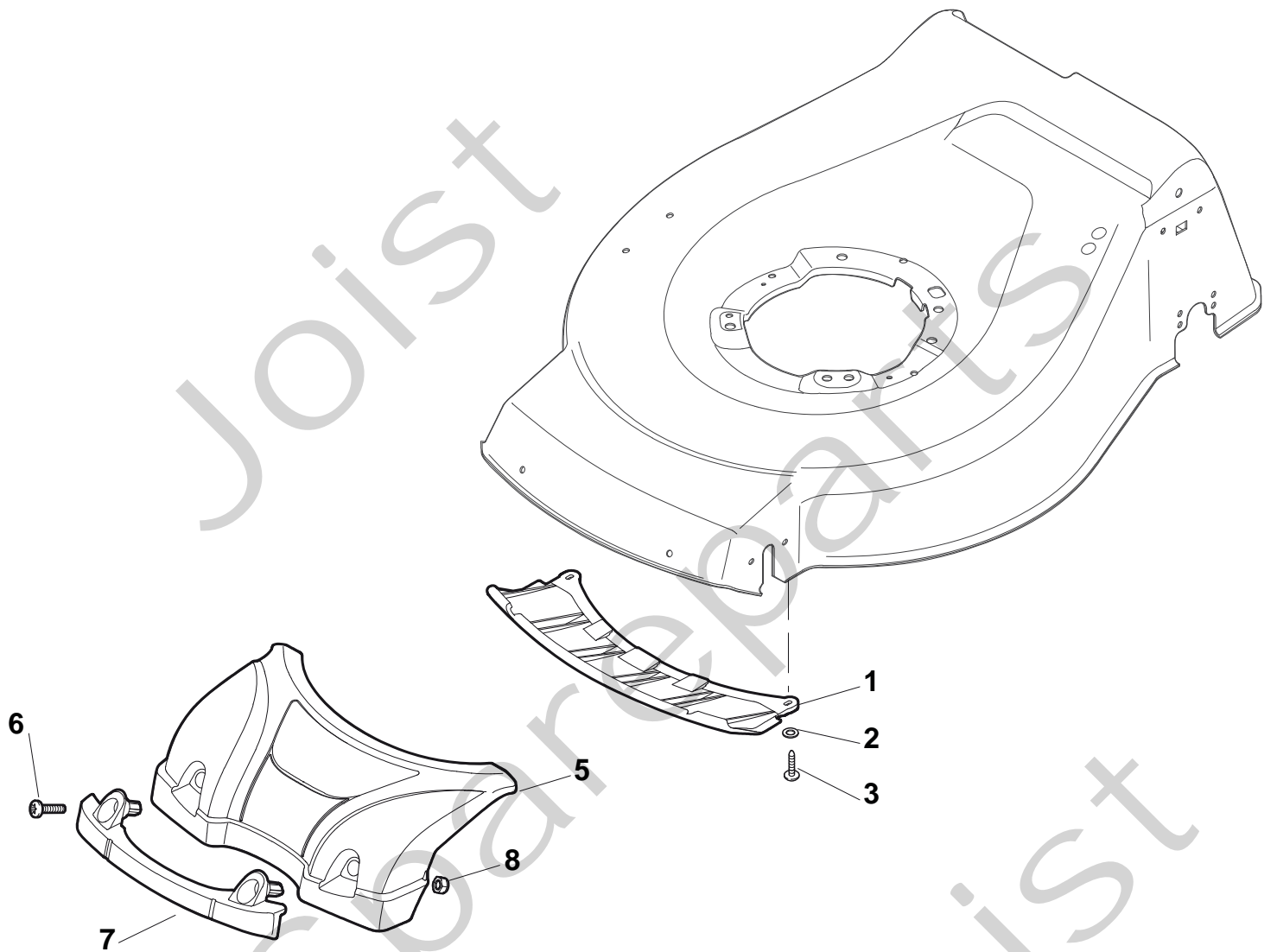
TURBO 48 PLUS B





## TURBO 48 PLUS B

Pos. Fig.	Antal Quantity	Art No Part No	Benämning	Description	Anmärkning Notes
1	1	381003914/0	Chassi-gul	Deck Yellow	
2	1	122534131/0	Remstyrning	Pin	
3	1	322322851/0	Höjdinställningsspak	Lever, Height Adjustment	
4	1	12154510/0	Mutter	Nut	
5	1	12788512/0	Skruv	Screw	
6	1	322394503/0	Knopp	Knob	
7	1	12521310/0	Bricka	Washer	
8	1	12150000/0	Mutter	Nut	
9	1	12369500/0	Bricka	Washer	
10	1	122943013/0	Skruv	Screw	
11	1	381002029/0	Höjdinställn.stång	Rod, Height Adjustment	
12	1	112436051/0	Plåt	Plate	
13	3	112727803/0	Skruv	Screw	
14	3	12154510/0	Mutter	Nut	
15	1	112727801/0	Skruv	Screw	
16	1	381002883/1	Hjulaxel-fram	Axle, Front Wheels	
17	1	12154510/0	Mutter	Nut	
21	4	322600145/0	Hjulskydd	Protection, Wheel	
24	4	12521350/0	Bricka	Washer	
25	4	12155000/0	Mutter	Nut	
31	1	381002823/0	Hjulaxel-bakre	Axle, Rear Wheels	
32	4	112727801/0	Skruv	Screw	
33	4	12154510/0	Mutter	Nut	
40	1	122446192/0	Fjäder	Spring	

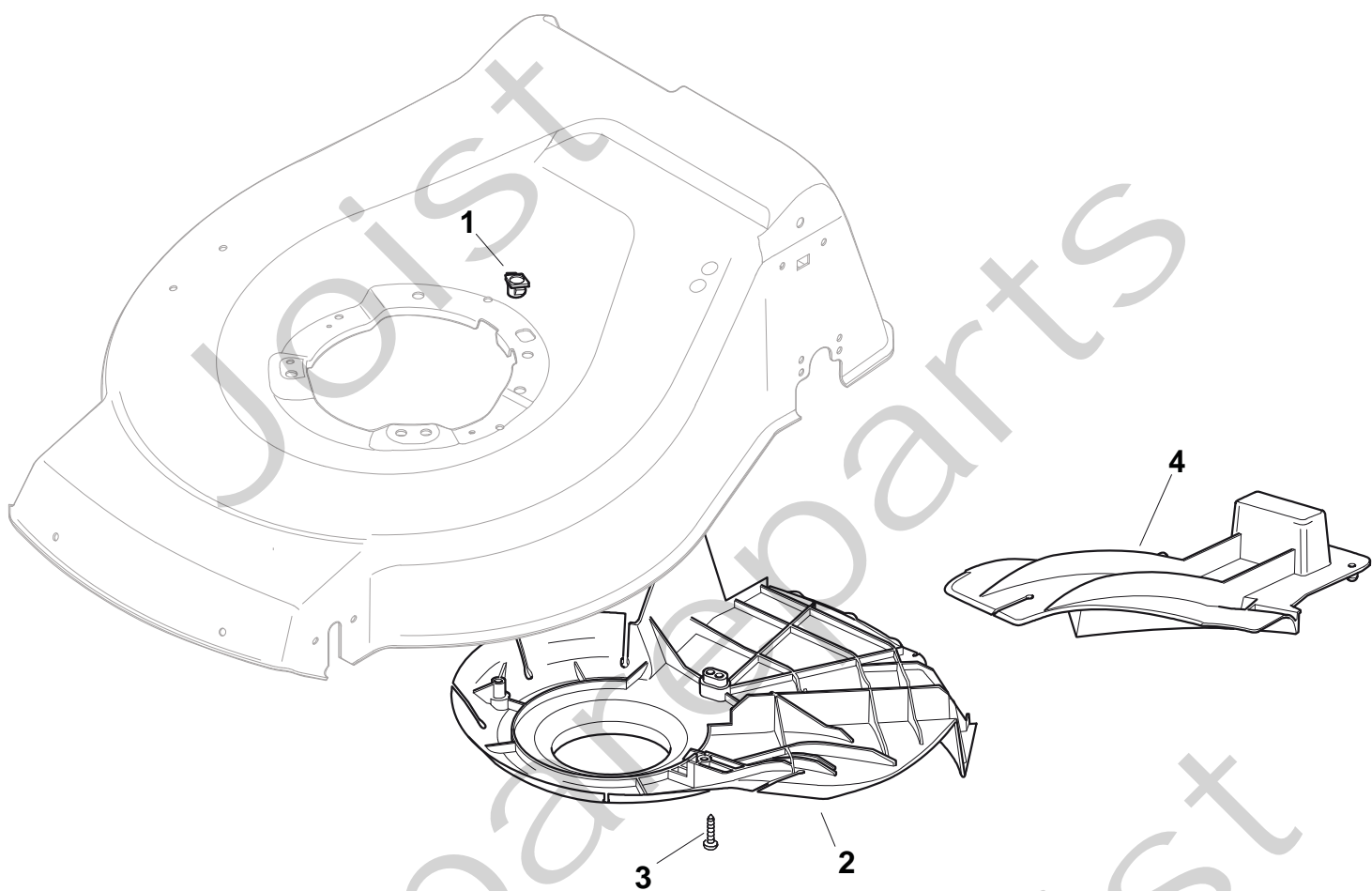




## TURBO 48 PLUS B

Pos. Fig.	Antal Quantity	Art No Part No	Benämning	Description	Anmärkning Notes
1	1	322500102/0	Air Intake Grill	Air Intake Grill	
2	2	112523000/1	Bricka	Washer	
3	2	12728124/0	Skruv	Screw	
5	1	32222615H0	Frontkåpa-svart	Mask, Black	
6	2	112727799/0	Skruv	Screw	
7	1	322393639/0	Handtag, grå	Handle, Grey	
8	2	12154510/0	Mutter	Nut	

TURBO 48 PLUS B

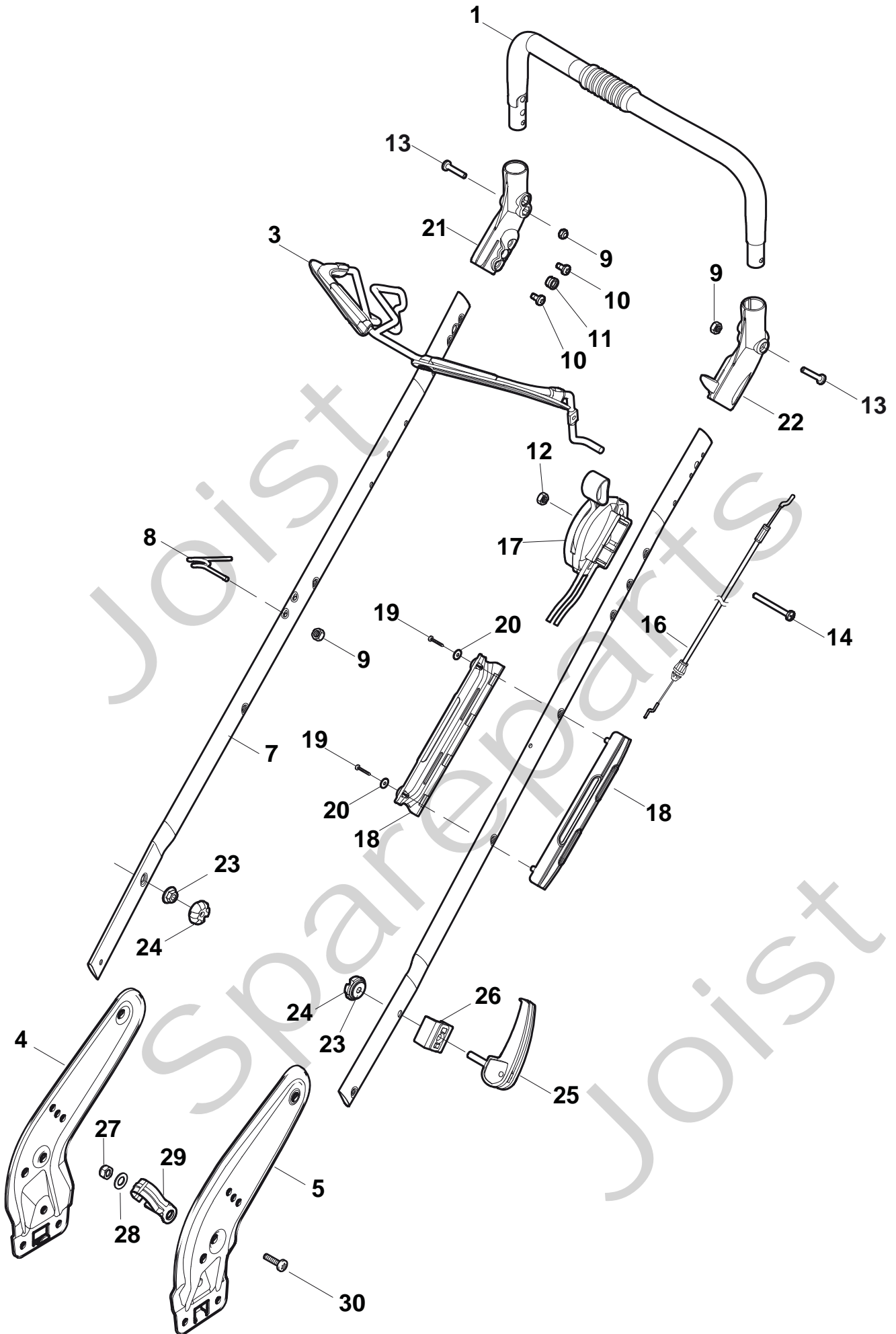




## TURBO 48 PLUS B

Pos. Fig.	Antal Quantity	Art No Part No	Benämning	Description	Anmärkning Notes
1	1	22291150/0	Handtag	Rubber Insert	
2	1	22060198/0	Remskydd	Protection	
3	3	12728530/0	Skruv	Screw	
4	1	22140223/0	Deflektor	Deflector	

TURBO 48 PLUS B

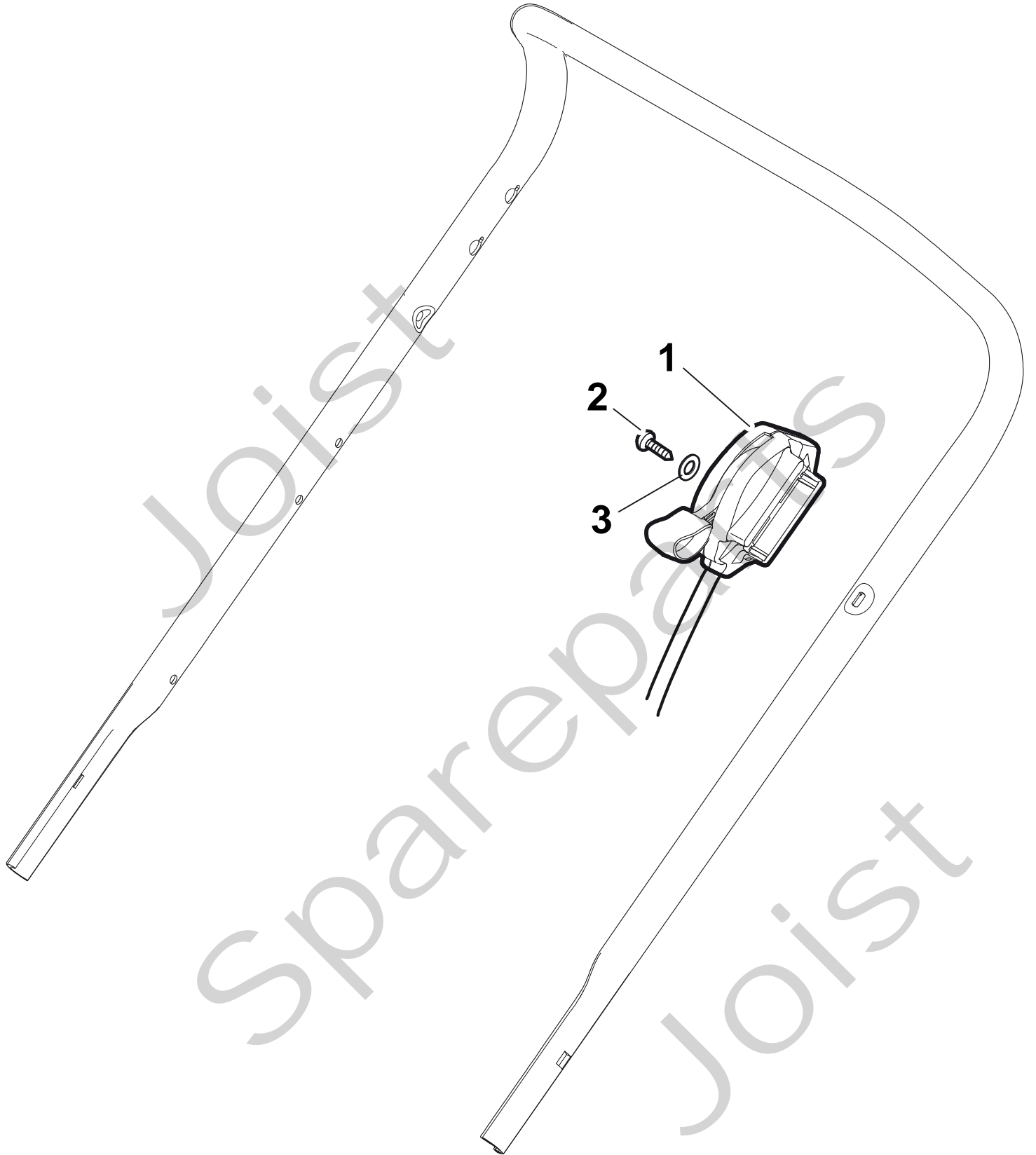






## TURBO 48 PLUS B

Pos. Fig.	Antal Quantity	Art No Part No	Benämning	Description	Anmärkning Notes
1	1	381006670/2	Handtag	Handgrip	
3	1	381003344/0	Reglagebygel	Lever, Engine Brake	
4	1	381005149/0	Fäste-hö	Bracket, R	
5	1	381005151/0	Fäste-vä	Bracket, L	
7	1	381006773/0	Styre	Handle Black	
8	1	22430309/0	Fjäder	Guide Spring	
9	2	12154330/0	Mutter	Nut	
10	4	112735662/1	Skruv	Screw	
11	2	322041967/0	Bussning	Bush	
12	3	12154510/0	Mutter	Nut	
13	2	112728721/0	Skruv	Screw	
14	1	12727786/0	Skruv	Screw	
15	1	181030073/0	Motorbromswire	Cable, Thread Eng. Brake	
18	1	322806644/0	Skydd	Protection	
19	2	12727812/0	Skruv	Screw	
20	2	112523000/1	Bricka	Washer	
21	1	322488301/0	Stöd-hö	Support, R	
22	1	322488303/0	Stöd-vä	Support, L	
23	2	112154220/0	Mutter	Nut	
24	2	322399835/0	Knopp	Knob	
25	2	381003253/0	Handtag	Handle	
26	2	322680017/0	Fäste	Support	
27	1	12155000/0	Mutter	Nut	
28	1	25038002/1	Bussning	Bush	
29	1	322192156/0	Kabelhållare	Fair Led	
30	1	12760605/0	Skruv	Screw	

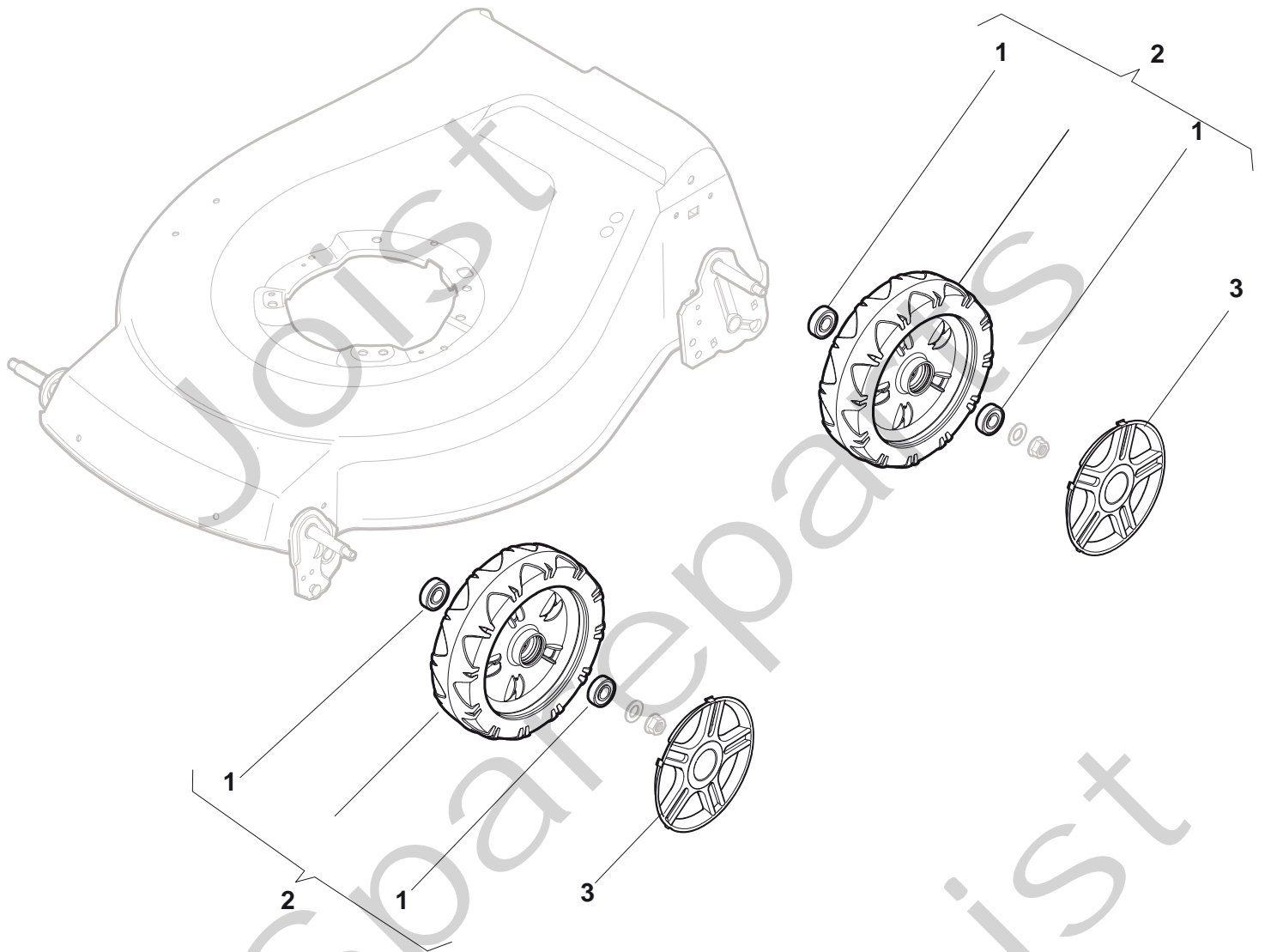




## TURBO 48 PLUS B

Pos. Fig.	Antal Quantity	Art No Part No	Benämning	Description	Anmärkning Notes
1	1	181005502/1	Gaswire	Throttle Cable	
2	1	12735103/0	Skruv	Screw	
3	1	12523040/0	Bricka	Washer	

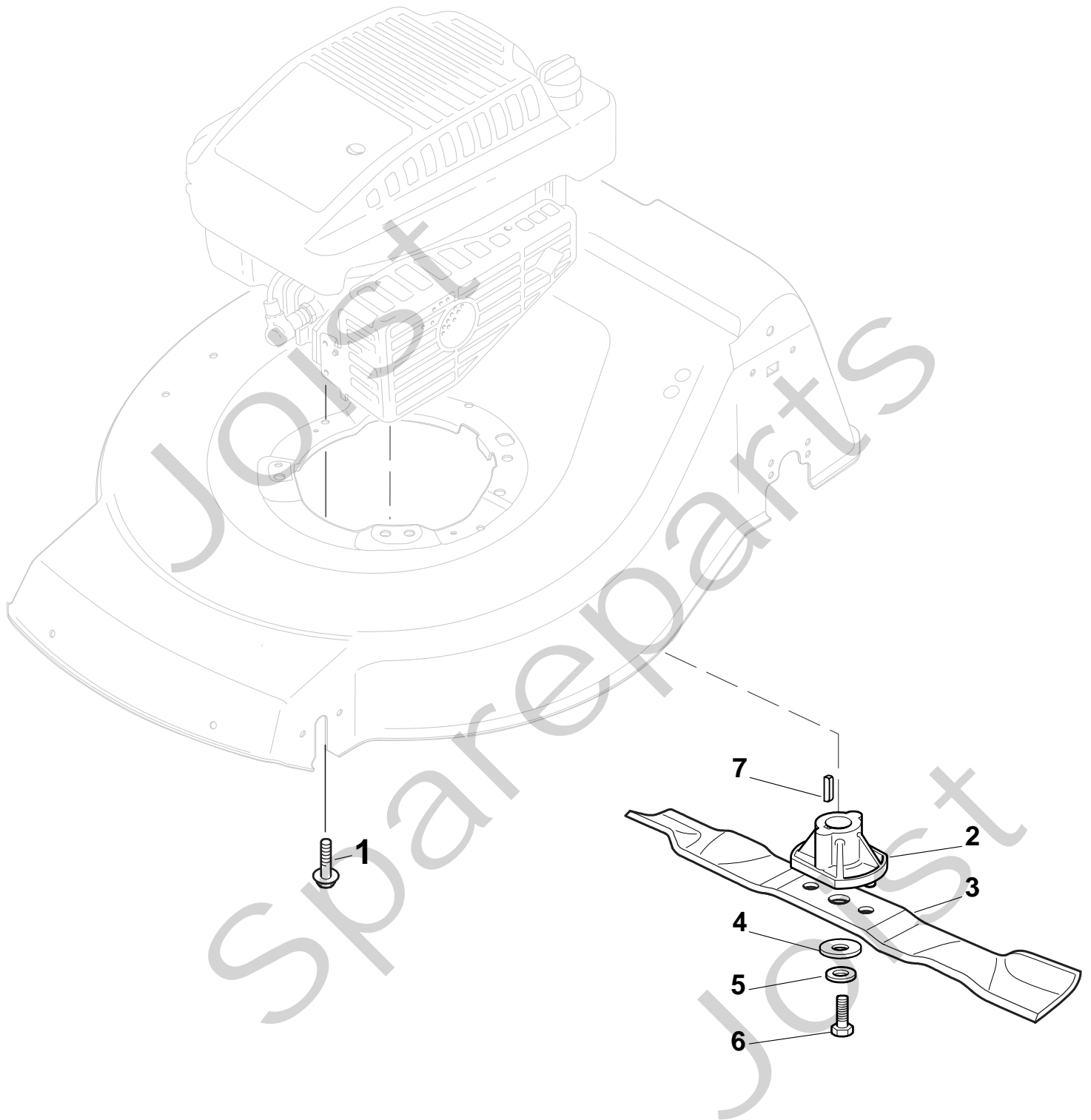
TURBO 48 PLUS B





## TURBO 48 PLUS B

Pos. Fig.	Antal Quantity	Art No Part No	Benämning	Description	Anmärkning Notes
1	8	19216035/0	Låsring	Bearing	
2	4	381007416/1	Hjul Ø 200	Ruota Ø 200	
3	4	22110492/0	Navkapsel-grå	Hub Cap Grey	

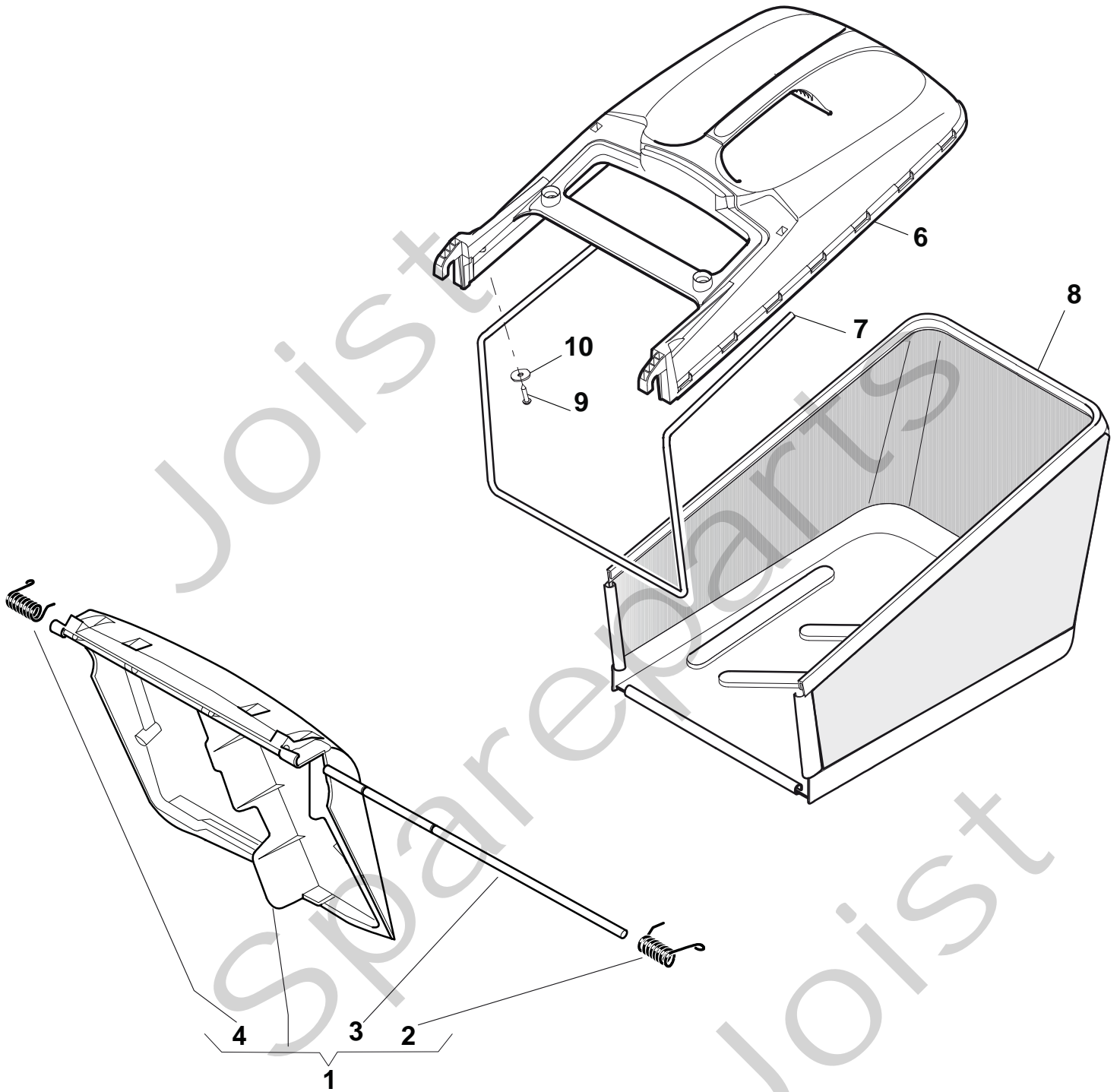




## TURBO 48 PLUS B

Pos. Fig.	Antal Quantity	Art No Part No	Benämning	Description	Anmärkning Notes
1	3	112735108/1	Skruv	Screw	
2	1	22463012/2	Knivfäste Ø 22.2	Hub, Crankshaft Ø 22.2	
3	1	181004458/0	Kniv	Blade Standard	
4	1	22160400/0	Dammskydd	Dust Cover	
5	1	12523080/0	Bricka	Washer	
6	1	12735698/0	Skruv	Screw	
7	1	12139100/0	Låsring	Feather, Crankshaft Ø 22.2	

TURBO 48 PLUS B







## TURBO 48 PLUS B

Pos. Fig.	Antal Quantity	Art No Part No	Benämning	Description	Anmärkning Notes
1	1	381008081/1	Lucka	Stone-Guard	
2	1	122450466/0	Fjäder	L Spring	
3	1	122517882/0	Stift	Pin	
4	1	122450465/0	Fjäder	R Spring	
6	1	22486101/0	Uppsamlare-överdel	Grass-Box, Upper	
7	1	22608525/0	Trådbygel	Stiffening Lower	
8	1	81002211/0	Uppsamlingsäck	Box, Fabric	
9	2	12728680/0	Skruv	Screw	
10	2	12523050/0	Bricka	Washer (Hydro)	