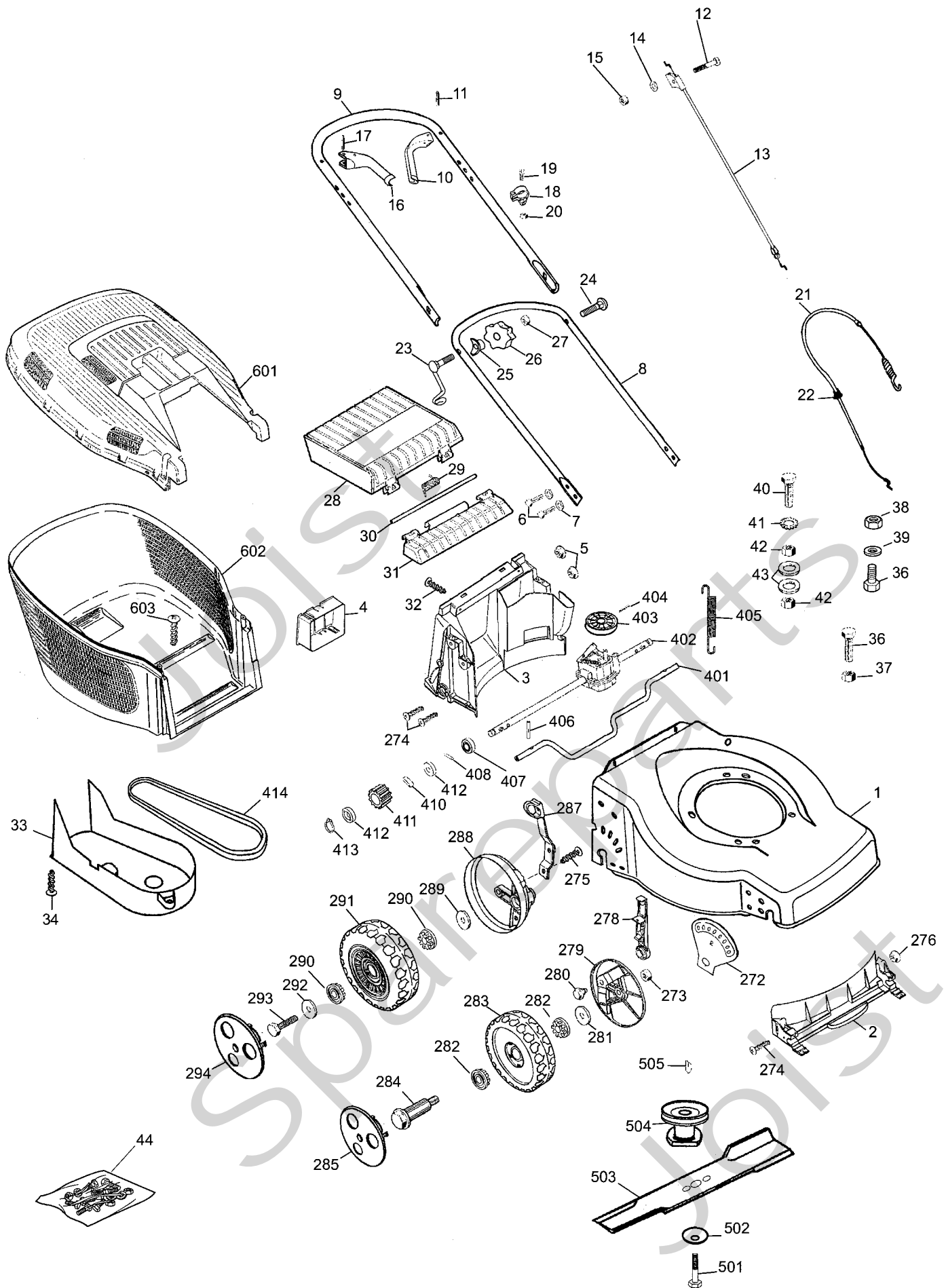


# Genuine Spare Parts

---



Joist  
Spareparts  
Joist




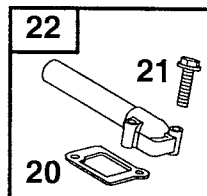
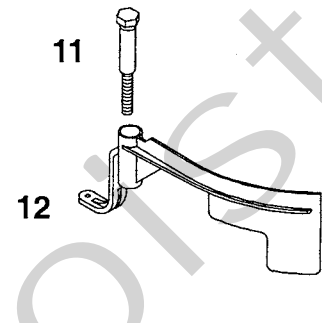
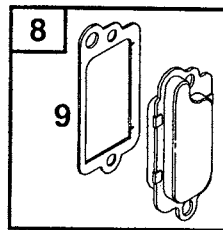
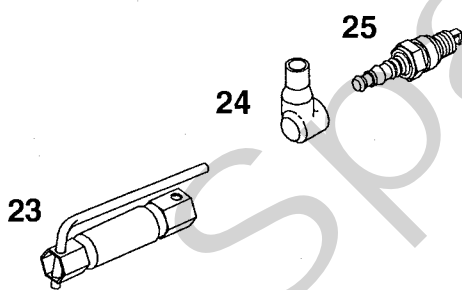
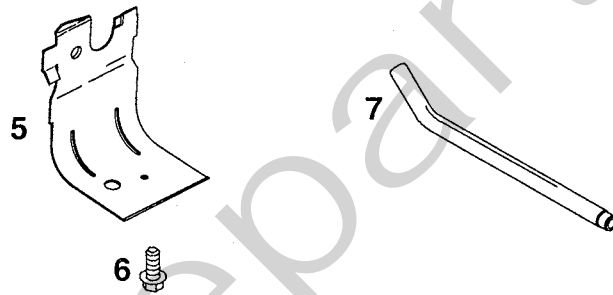
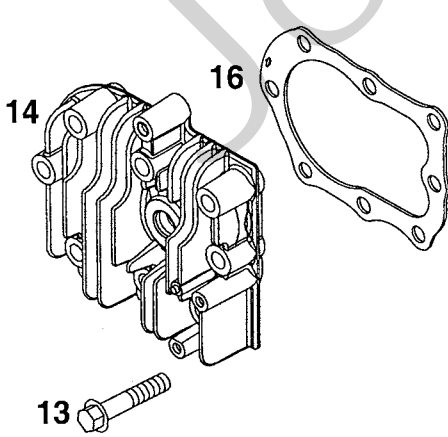
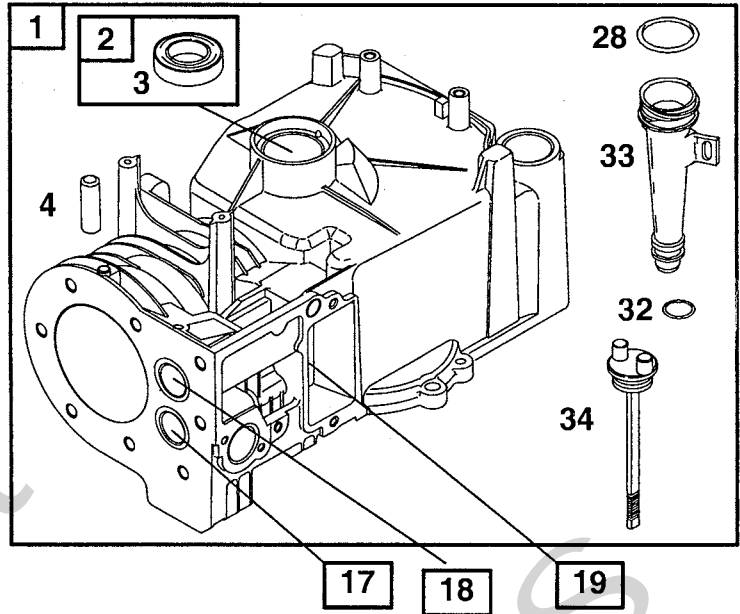
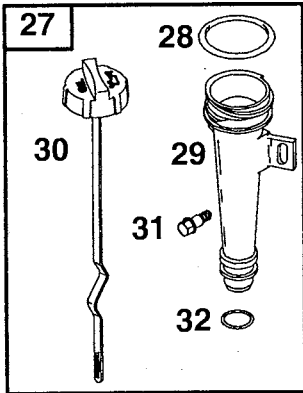
Utgåva Issue		Bildnr Picture No		EURO 45S COLLECTOR 45S		EURO 45S COLLECTOR 45S		Sida Page	
2004-12		1717						106	
Pos. Fig.	Antal/Quantity			Art nr Part No	Benämning	Description	Sats Kit	Anmärkning Notes	
	3581 -20	3881 -20							
	1	1		1117-1308-01	Kåpa-gul .....	Deck-yellow .....			
	2	1		1117-3007-01	Ledplåt-främre .....	Baffle-front .....			
	3	1		1117-3008-01	Ledplåt-bakre .....	Baffle-rear .....			
	4	1		1111-2927-01	Batterihållare .....	Battery holder .....			
	5	4		1117-1131-01	Flänsmutter .....	Nut .....			
	6	4		1117-1364-01	Skruv .....	Screw .....			
	7	4		9699-0028-02	Planbricka .....	Flat washer .....			
X	8	1		1136-1411-01	Styre-underdel .....	Handlebar-lower part .....			
X	9	1		1136-1413-01	Styre-överdel .....	Handlebar-upper part .....			
	10	1		1117-3221-01	Manöverbygel .....	OPC lever .....			
	11	1		9595-0258-00	Spännstift .....	Locating pin .....			
	12	1		9997-0635-12	Skruv .....	Screw .....			
X	13	1		1136-1405-01	Motorbromswire .....	Engine brake cable .....			
	14	1		9699-0025-02	Planbricka .....	Washer .....			
	15	1		9799-0631-02	Mutter .....	Nut .....			
	16	1		1117-3222-01	Manöverbygel .....	Control lever .....			
	17	1		9595-0258-00	Spännstift .....	Locating pin .....			
	18	1		1117-1114-01	Wirehållare .....	Support .....			
	19	1		9865-0616-16	Skruv .....	Screw .....			
X	20	1		9799-0631-02	Mutter .....	Nut .....			
	21	1		1136-1404-01	Kopplingswire .....	Clutch cable .....			
	22	1		1136-0629-01	Kabelgenomföring .....	Fair lead .....			
	23	1		1136-0747-01	Skruv m. ögla .....	Screw w. loop .....			
	24	1		1136-0620-01	Skruv .....	Screw .....			
	25	2		1136-0693-01	Bricka .....	Washer .....			
	26	2		1117-3194-01	Lås ratt .....	Locking knob .....			
	27	2		9799-0831-02	Mutter .....	Nut .....			
	28	1		1117-1156-01	Lucka-gul .....	Rear flap-yellow .....			
	29	1		1117-1126-01	Fjäder .....	Spring-rear flap .....			
	30	1		1117-1143-01	Axel .....	Shaft .....			
	31	1		1117-1155-01	Luckinfästning-gul .....	Flap holder-yellow .....			
	32	2		9836-9516-12	Skruv .....	Screw .....			
	33	1		1117-1147-01	Transmissionskåpa .....	Transmission cap .....			
	34	2		9836-9516-12	Skruv .....	Screw .....			
	36	2		9997-0830-16	Skruv .....	Screw .....			
	37	1		9739-0831-22	Mutter .....	Nut .....			
	38	1		9716-0831-02	Mutter .....	Nut .....			
	39	1		9699-0028-02	Planbricka .....	Flat washer .....			
	40	1		1117-1268-01	Bult .....	Bolt .....			
	41	1		9678-0009-02	Låsbricka .....	Lock washer .....			
	42	2		9799-0831-02	Mutter .....	Nut .....			
	43	2		9699-0062-02	Planbricka .....	Flat washer .....			
X	44	1		1136-1415-01	Mont.sats .....	Assy kit .....			
	272	2		1117-1213-01	Håiplåt .....	Sector .....			
	273	2		9716-0831-02	Mutter .....	Nut .....			
	274	6		9836-9516-12	Skruv .....	Screw .....			
	275	2		9836-9512-12	Skruv .....	Screw .....			
	276	2		1117-1131-01	Flänsmutter .....	Nut .....			
	278	2		1117-1228-01	Inställningsspak .....	Adjusting lever .....			
	279	2		1117-1376-01	Hjulsköld .....	Wheel lever .....			
	280	2		1117-1182-01	Ansatsbult .....	Shoulder bolt .....			
	281	2		9699-0062-02	Planbricka .....	Flat washer .....			
	282	4		1111-3165-01	Bussning .....	Bushing .....			
	283	2		1111-3163-01	Hjul .....	Wheel .....			
	284	2		1111-3164-01	Hjulbult .....	Wheel axle bolt .....			
	285	2		1111-2804-01	Navkapsel-gul .....	Hub cap-yellow .....			
	287	1		1117-1174-01	Höjdställningsspak .....	Height adjust lever .....			
	288	2		1117-3256-01	Hjulsköld .....	Wheel protection cap .....			
	289	2		9699-0037-02	Bricka .....	Washer .....			
	290	4		1111-1273-01	Bussning .....	Bushing .....			
	291	2		1111-2663-01	Hjul .....	Wheel .....			
	292	2		9699-0085-02	Planbricka .....	Flat washer .....			
X	293	2		1136-1397-01	Skruv .....	Screw .....			



Utgåva Issue		Bildnr Picture No		EURO 45S COLLECTOR 45S		EURO 45S COLLECTOR 45S		Sida Page	
2004-12		1717						108	
Pos. Fig.	Antal/Quantity			Art nr Part No	Benämning	Description	Sats Kit	Anmärkning Notes	
	3581 -20	3881 -20							
X 294	2	2		1111-2815-01	Navkapsel- gul .....	Hub cap- yellow .....			
401	1	1		1117-1160-01	Bakaxel .....	Shaft- backside .....			
402	1	1		1136-1408-01	Transmission kpl .....	Transmission assy .....			
403	1	1		1117-3018-01	Remskiva .....	Pulley .....			
404	1	1		1111-2382-01	Cyl.pinne .....	Pin .....			
405	1	1		1117-1120-01	Fjäder .....	Spring .....			
406	2	2		9595-0212-00	Spännstift .....	Locating pin .....			
407	2	2		9549-0053-00	Kullager .....	Ball bearing .....			
408	2	2		9591-0011-00	Stift .....	Pin .....			
410	2	2		1111-3256-01	Drivkil .....	Drive key .....			
411	2	2		1111-3075-01	Kuggjul- plasthjul .....	Pinion- plastic wheel .....			
412	4	4		1111-2830-01	Stödbricka .....	Support washer .....			
413	2	2		1117-1083-01	Låsring .....	Safety ring .....			
414	1	1		1111-9114-01	Drivrem .....	Drive belt .....			
501	1	1		1136-0616-01	Bult .....	Screw .....			
502	1	1		1117-1065-01	Tallriksbricka .....	Spring washer .....			
503	1	1		1111-9116-01	Kniv .....	Blade .....			
504	1	1		1111-9074-01	Knivfäste .....	Blade holder .....			
505	1	1		9600-0014-00	Kil .....	Key .....			
601	1	1		1117-1157-01	Uppsamlarlock- gul .....	Grassbag cover- yellow .....			
602	1	1		1117-1218-01	Uppsamlare- underdel .....	Lower grass bag .....			
603	2	2		9836-9516-12	Skruv .....	Screw .....			

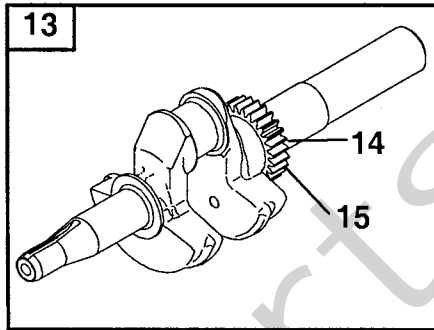
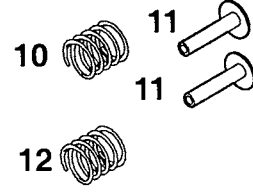
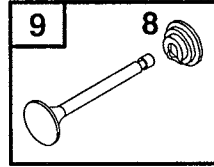
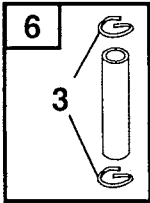
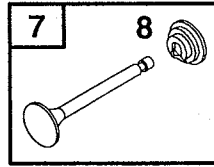
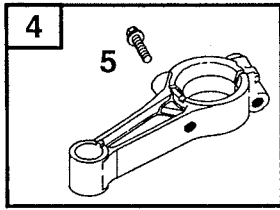
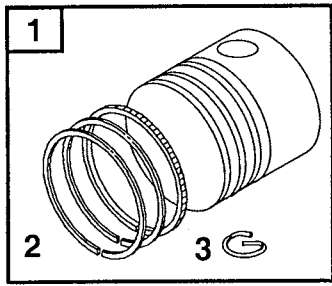
A

15 

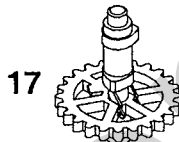


Utgåva Issue 2004-12		Bildnr Picture No 1476		BRIGGS & STRATTON 10D902 CYLINDER		BRIGGS & STRATTON 10D902 CYLINDER		Sida Page 384
Pos. Fig.	Antal/Quantity			Art nr Part No	Benämning	Description	Sats Kit	Anmärkning Notes
	10D 902- 0141	10D 902- 0153						
X	A01	1		399164	Cylinder kpl.....	Cylinder assy.....		
	A01		1	699653	Cylinder kpl.....	Cylinder assy.....		
	A02	1	1	399269	• Bussning.....	• Bushing.....		
	A03	1	1	299819	• Tätningring.....	• Oil seal.....	S	
	A04	2	2	690959	• Tapp.....	• Locating pin.....		
	A05	1	1	690400	Skyddsplåt.....	Cylinder shield.....		
	A06	1	1	690345	Skruv.....	Screw.....		
	A07	1	1	691245	Rör.....	Breather tube.....		
	A08	1		495785	Vevhusventilation.....	Breather.....		
X	A08		1	699640	Vevhusventilation.....	Breather.....		
	A09	1		272602	• Packning.....	• Gasket.....	S	
	A09		1	695890	• Packning.....	• Gasket.....	S	
	A10	2	2	691666	Skruv.....	Screw.....		
	A11	1	1	691107	Skruv.....	Screw.....		
	A12	1	1	691912	Regulatorvinge.....	Governor blade.....		
X	A13		8	691640	Skruv.....	Screw.....		
	A13	8		691697	Skruv.....	Screw.....		
	A14	1	1	690386	Topplöck.....	Cylinder head.....		
	A15	1	1	692889	Distans.....	Spacer.....		
	A16	1		692288	Topplöckspackning.....	Cylinder head gasket.....	S	
X	A16		1	698717	Topplöckspackning.....	Cylinder head gasket.....	S	
	A17	1		691702	• Ventilåte- utblås.....	• Valve seat- exhaust.....		
X	A17		1	699642	• Ventilåte- utblås.....	• Valve seat- exhaust.....		
	A18	1		691701	• Ventilåte- insug.....	• Valve seat- intake.....		
X	A18		1	699641	• Ventilåte- insug.....	• Valve seat- intake.....		
	A19	1		231348	• Ventilstyrning- utblås.....	• Guide bushing- exhaust.....		
	A19	1		63709	• Ventilstyrning- insug.....	• Guide- intake valve.....		
X	A19		1	699643	• Ventilstyrning- utblås.....	• Valve guide- exhaust.....		
X	A20	1		270345	• Packning.....	• Gasket.....	S	
X	A20		1	699649	• Packning.....	• Gasket.....	S	
	A21	2	2	691111	• Skruv.....	• Screw.....		
	A22	1		693446	Insugningsrör.....	Intake manifold.....		
X	A22		1	699644	Insugningsrör.....	Intake manifold.....		
	A23	1	1	1111-9029-01	Tändstiftsnyckel.....	Spark plug wrench.....		
	A24	1	1	66538	Tändstiftsskydd.....	Spark plug elbow.....		
	A25	1	1	9400-0225-00	Tändstift.....	Spark plug.....		Champion J19LM
	A27	1		691440	Oljesticka kpl.....	Dipstick assy.....		
	A28	1	1	691870	• Tätningring.....	• Seal.....		
	A29	1		691320	• Påfyllningsrör.....	• Dipstick tube.....		
	A30	1		692040	• Oljesticka.....	• Dipstick.....		
	A31	1		691002	• Skruv.....	• Screw.....		
	A32	1	1	691876	• Tätningring.....	• Dipstick tube seal.....	S	
	A33		1	691320	• Påfyllningsrör.....	• Dipstick tube.....		
	A34		1	691913	• Oljesticka.....	• Oil dipstick.....		

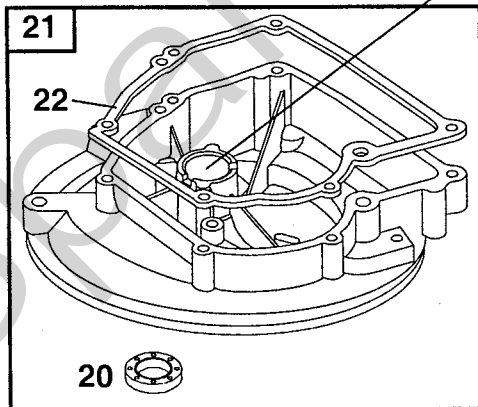
A



16



20 ★ 19



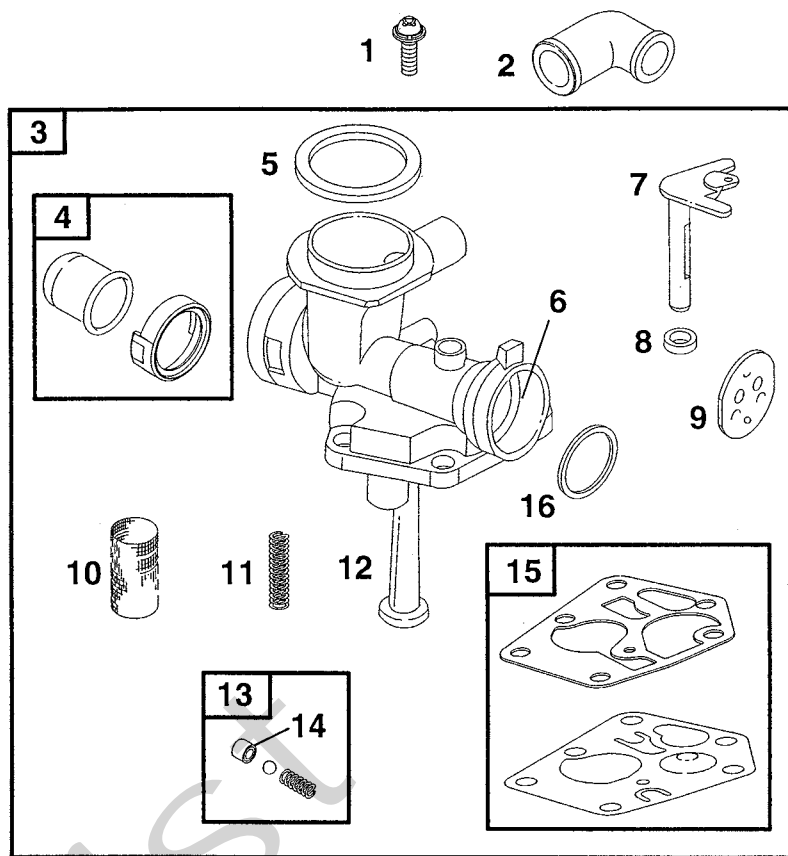
24

23

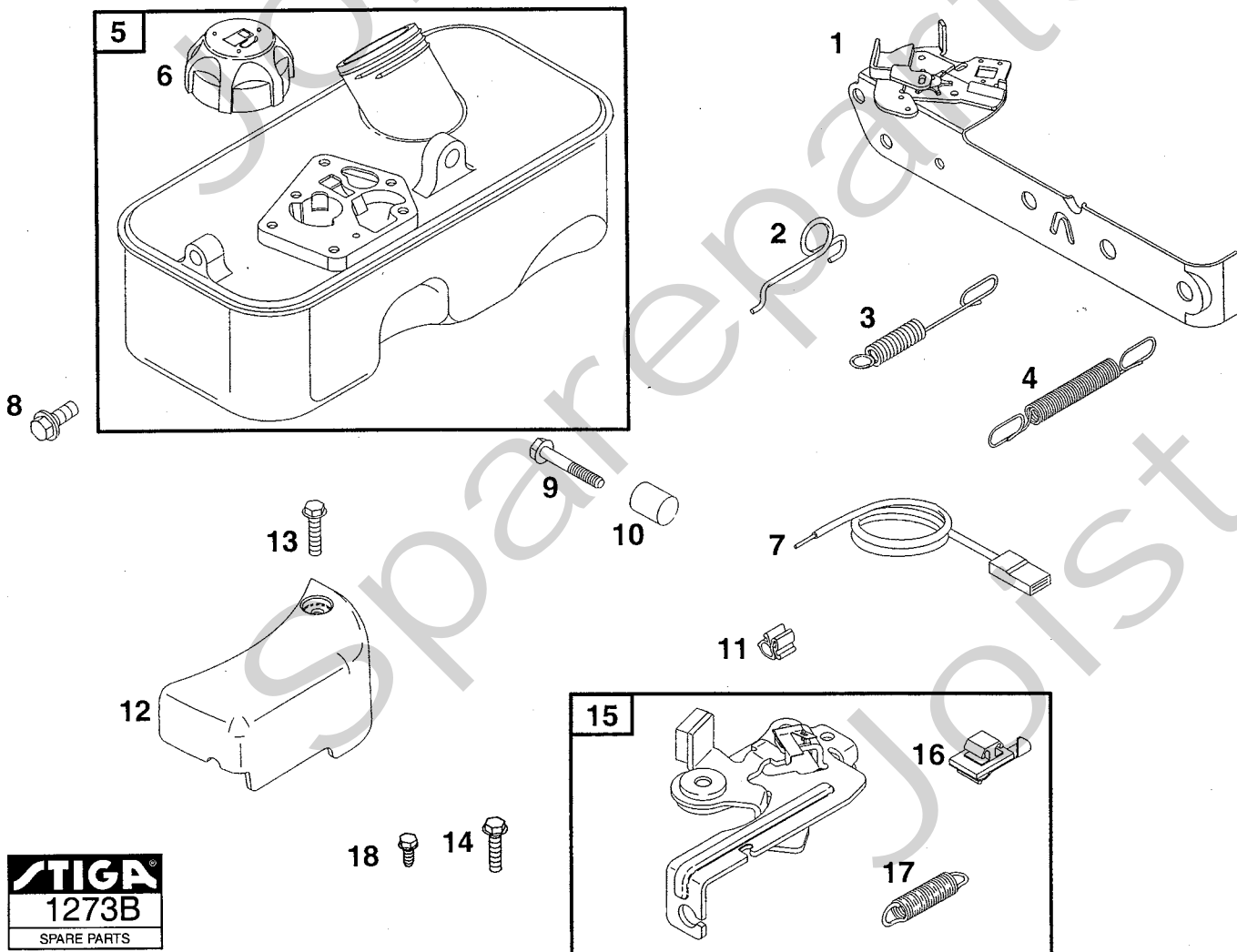


Utgåva Issue 2004-12		Bildnr Picture No 1477		BRIGGS & STRATTON 10D902 VEVAXEL VEVHUS		BRIGGS & STRATTON 10D902 CRANKSHAFT CRANKCASE		Sida Page 386
Pos. Fig.	Antal/Quantity			Art nr Part No	Benämning	Description	Sats Kit	Anmärkning Notes
	10D 902- 0141	10D 902- 0153						
	A01	1		498668	Kolv kpl.....	Piston assy .....		Standard
	A01	1		498669	Kolv kpl.....	Piston assy .....		.010" oversize
	A01	1		498670	Kolv kpl.....	Piston assy .....		.020" oversize
	A01	1		498671	Kolv kpl.....	Piston assy .....		.030" oversize
X	A01		1	699657	Kolv kpl.....	Piston assy .....		Standard
	A02	1		498680	• Kolvringsats.....	• Ring set.....		Standard
	A02	1		498681	• Kolvringsats.....	• Ring set.....		.010" oversize
	A02	1		498682	• Kolvringsats.....	• Ring set.....		.020" oversize
	A02	1		498683	• Kolvringsats.....	• Ring set.....		.030" oversize
X	A02		1	699658	• Kolvringsats.....	• Ring set.....		Standard
	A03	2	2	691588	• Låsring .....	• Piston pin lock .....		
	A04	1		496792	Vevstake .....	Connecting rod .....		
X	A04		1	699654	Vevstake .....	Connecting rod .....		
	A05	2	2	691664	• Skruv .....	• Screw .....		
	A06	1		298908	Kolvbult kpl.....	Piston pin assy.....		.005" oversize
	A06	1	1	298909	Kolvbult kpl.....	Piston pin assy.....		Standard
	A07	1	1	296676	Utblåsningsventil.....	Exhaust valve .....		
	A08	2	2	692194	• Ventilhållare .....	• Valve retainer .....		
	A09	1	1	296677	Insugningsventil .....	Intake valve .....		
	A10	1	1	690520	Ventilfjäder .....	Valve spring .....		
	A11	2	2	691762	Ventilyftare .....	Valve tappet .....		
	A12	1	1	690520	Ventilfjäder .....	Valve spring .....		
	A13	1	1	691471	Vevaxel .....	Crankshaft.....		
	A14	1	1	499047	• Stift.....	• Pin.....		
	A15	1	1	691805	• Drev .....	• Timing gear.....		
	A16	1	1	222698	Kil .....	Key .....		
	A17	1	1	691998	Kamaxel.....	Camshaft.....		
	A18	1		691983	Oljeslungare.....	Oil slinger .....		
X	A18		1	698690	Oljeslungare.....	Oil slinger .....		
	A19	1	1	293709	• Bussning.....	• Bushing.....		
	A20	1	1	391483	• Tätningssats .....	• Oil seal .....	S	
	A21	1	1	395384	Vevhus.....	Oil sump .....		
	A22	1	1	270895	• Vevhuspackning .....	• Crankcase gasket .....	S	.005" thick
	A22	1	1	270896	• Vevhuspackning .....	• Crankcase gasket .....	S	.009" thick
	A22	1	1	692218	• Vevhuspackning .....	• Crankcase gasket .....	S	.015" thick (Standard)
	A23	1	1	691680	Oljeavtappningsplugg .....	Oil drain plug .....		
	A24	6	6	691662	Skruv .....	Screw .....		
	A31	1		298989	Packningssats .....	Gasket set .....		Märkta/marked S
X	A31		1	699933	Packningssats .....	Gasket set .....		Märkta/marked S

A

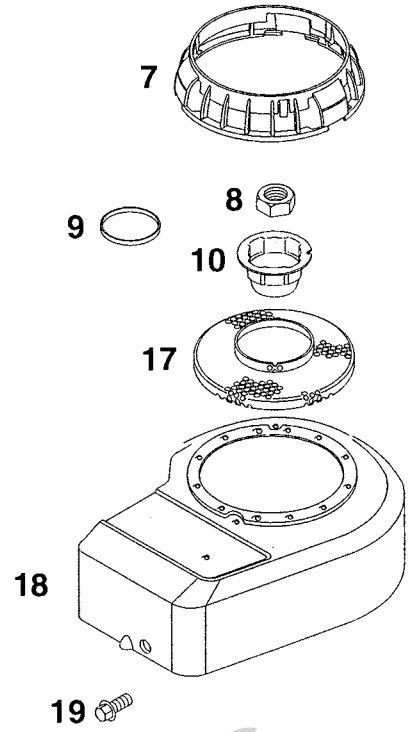
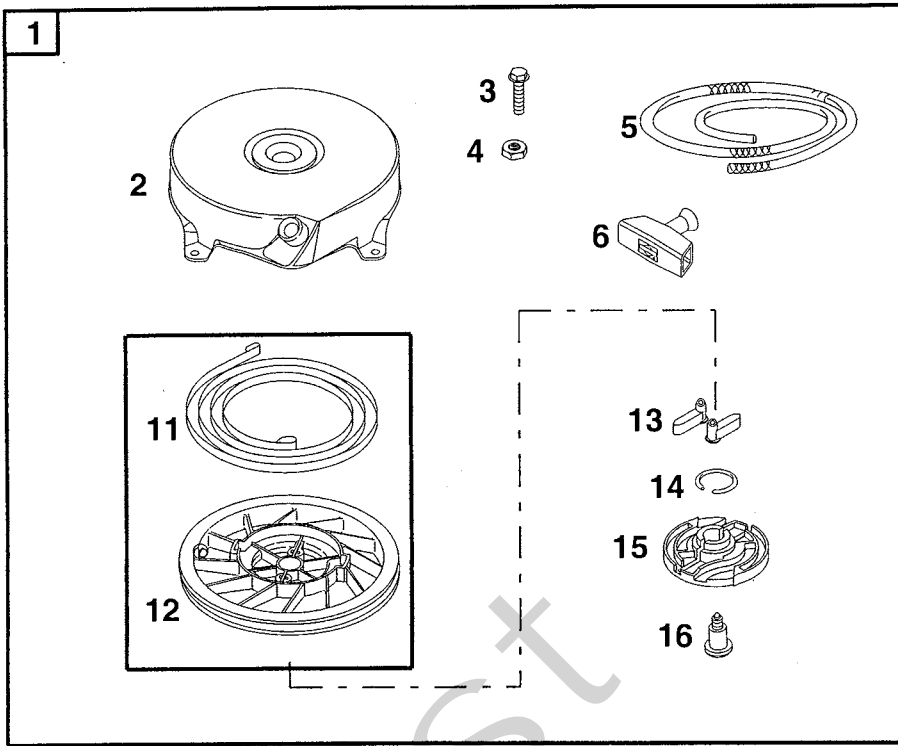


B

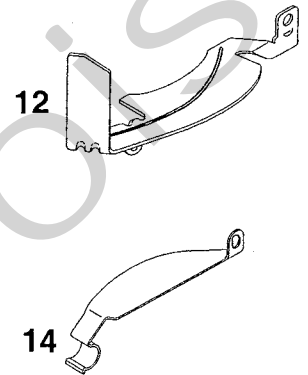
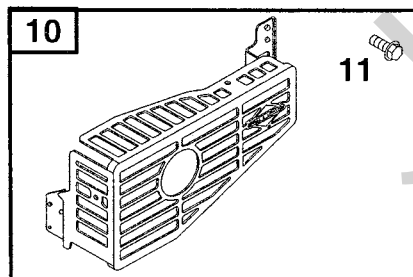
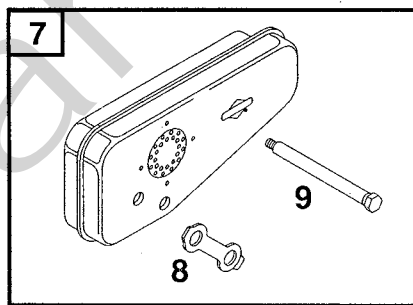
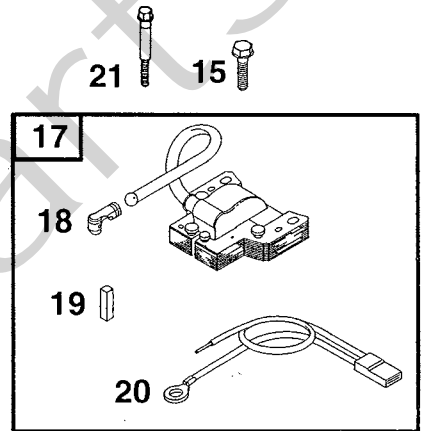
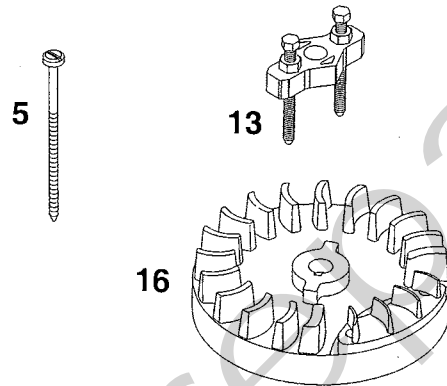
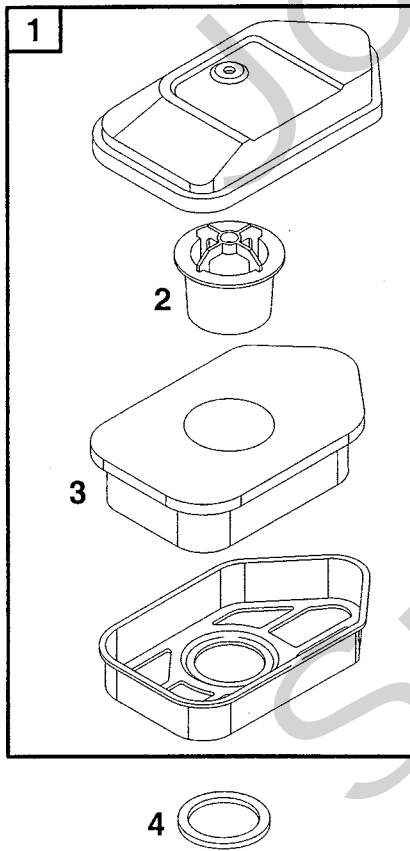


Utgåva Issue		Bildnr Picture No		BRIGGS & STRATTON 10D902 FÖRGASARE BRÄNSLETANK		BRIGGS & STRATTON 10D902 CARBURETTOR FUEL TANK		Sida Page	
2004-12		1273B						388	
Pos. Fig.	Antal/Quantity			Art nr Part No	Benämning	Description	Sats Kit	Anmärkning Notes	
	10D 902- 0141	10D 902- 0153							
A01	4	4		692200	Skruv .....	Screw .....			
A02	1	1		692189	Hylsa .....	Grommet .....			
A03	1	1		498811	Förgasare kpl .....	Carburettor assy .....			
A04	1			494408	• Primer .....	• Primer bulb .....			
A04		1		694394	• Primer .....	• Carburettor primer .....			
A05	1	1		271139	• Packning .....	• Gasket .....			
A06	1	1		270344	• Tätning .....	• Seal .....			
A07	1	1		691931	• Spjällaxel .....	• Throttle shaft .....			
A08	1	1		691321	• Dammtätning .....	• Dust seal .....			
A09	1	1		691190	• Gasspjäll .....	• Throttle valve .....			
A10	1	1		691837	• Nät .....	• Screen .....			
A11	1	1		691839	• Fjäder .....	• Spring .....			
A12	1	1		496046	• Bränslerör .....	• Fuel pipe .....			
A13	1	1		494409	• Ventilsåte .....	• Check valve seat .....			
A14	1	1		691901	• Säte .....	• Inlet seat .....			
A15	1	1		495770	• Membran .....	• Diaphragm .....			
A16	1	1		695866	• O-ring .....	• O-ring seal .....			
B01	1	1		691446	Reglageplåt .....	Control bracket .....			
B02	1	1		690347	Regulatorlänk .....	Air vane link .....			
B03	1			690251	Regulatorfjäder .....	Governor spring .....			
B03		1		690254	Regulatorfjäder .....	Governor spring .....			
B04	1	1		691859	Fjäder .....	Idle spring .....			
B05	1	1		494406	Bränsletank .....	Fuel tank .....			
B06	1	1		497929	• Tanklock .....	• Fuel cap .....			
B07	1	1		692390	Stoppkabel .....	Stop wire .....			
B08	1	1		692198	Skruv .....	Screw .....			
B09	1	1		691697	Skruv .....	Screw .....			
B10	1	1		691633	Distans .....	Spacer .....			
B11	1	1		690586	Wireklämna .....	Wire clip .....			
B12	1	1		691349	Kåpa .....	Linkage cover .....			
B13	1	1		691111	Skruv .....	Screw .....			
B14	2	2		691146	Skruv .....	Screw .....			
B15	1	1		691487	Broms .....	Brake .....			
B16	1	1		692310	• Stoppkontakt .....	• Stop switch .....			
B17	1	1		692135	• Bromsfjäder .....	• Brake spring .....			
B18	1	1		690859	Skruv .....	Screw .....			

A

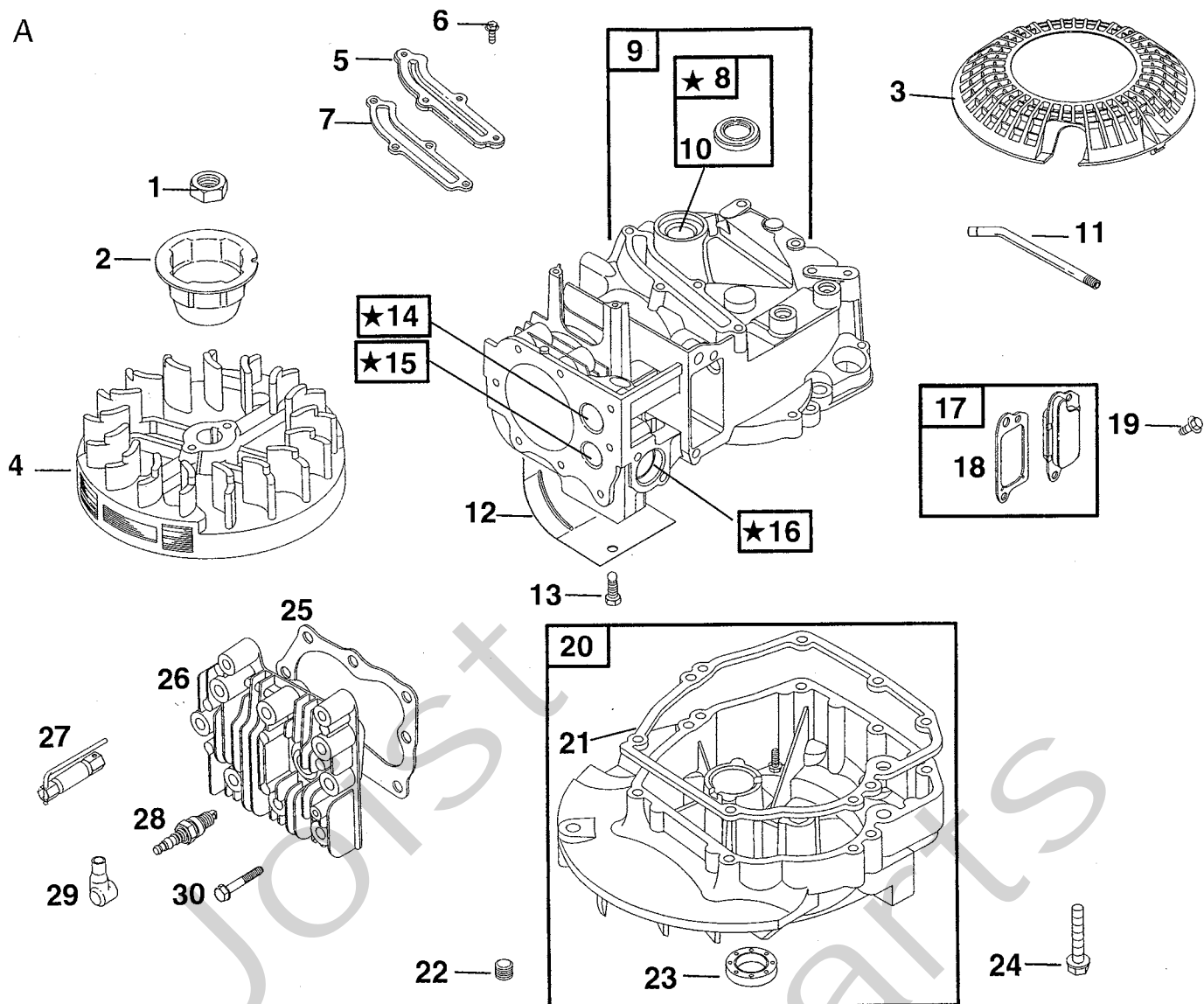


B



Utgåva Issue		Bildnr Picture No		BRIGGS & STRATTON 10D902 START LUFTFILTER		BRIGGS & STRATTON 10D902 STARTER AIR CLEANER		Sida Page 390	
Pos. Fig.	Antal/Quantity			Art nr Part No	Benämning	Description	Sats Kit	Anmärkning Notes	
	10D 902- 0141	10D 902- 0153							
X	A01	1	1	499706	Start kpl.....	Rewind starter.....			
	A02	1	1	692144	• Starthus.....	• Starter housing.....			
	A03	4	4	690837	• Skruv.....	• Screw.....			
	A04	4	4	690800	• Mutter.....	• Nut.....			
	A05	1		692259	• Startsnöre.....	• Starter rope.....			
	A05		1	697316	• Startsnöre.....	• Starter rope.....			
	A06	1	1	691915	• Starthandtag.....	• Starter grip.....			
	A07	1	1	691348	Skydd.....	Rewind guard.....			
	A08	1	1	690662	Mutter.....	Flywheel nut.....			
	A09	1		694420	Roterande platta.....	Rotating trim plate.....			
	A10	1	1	691236	Svänghjulskopp.....	Flywheel cup.....			
	A11	1	1	499901	• Linhjul m.fjäder.....	• Pulley and spring.....			
	A12	1	1	499901	• Linhjul m.fjäder.....	• Pulley and spring.....			
	A13	2	2	281505	• Startklo.....	• Starter pawl.....			
	A14	1	1	691855	• Friktionsfjäder.....	• Friction spring.....			
	A15	1	1	692299	• Spärrplatta.....	• Pawl friction plate.....			
	A16	1	1	691696	• Skruv.....	• Screw.....			
	A17	1		691235	Skyddsnet.....	Rotating screen.....			
X	A17		1	699850	Skyddsnet.....	Rotating screen.....			
	A18	1	1	691484	Fläkthus.....	Blower housing.....			
	A19	3	3	692198	Skruv.....	Screw.....			
	B01	1		493492	Lufffilter.....	Air cleaner.....			
X	B01		1	698472	Lufffilter.....	Air cleaner.....			
	B02	1		691911	• Stöd.....	• Support.....			
	B03	1		272235	• Filterinsats.....	• Air cleaner filter.....			
X	B03		1	698369	• Filterinsats.....	• Air cleaner filter.....			
	B04	1	1	271139	Packning.....	Gasket.....			
	B05	1	1	691417	Skruv.....	Screw.....	S		
	B07	1	1	692307	Ljuddämpare.....	Muffler.....			
	B08	1	1	691179	• Låsbleck.....	• Screw lock.....			
	B09	2	2	691413	• Skruv.....	• Screw.....			
	B10	1	1	494896	Ljuddämparskydd.....	Muffler guard.....			
	B11	2	2	690664	• Skruv.....	• Screw.....			
	B12	1	1	691209	Svänghjulsskydd.....	Flywheel guard.....			
	B13	1	1	19069	Avdragare.....	Puller.....			
	B14	1	1	690482	Svänghjulsskydd.....	Flywheel guard.....			
	B15	2	2	691061	Skruv.....	Screw.....			
	B16	1	1	692009	Svänghjul.....	Flywheel.....			
	B17	1	1	496914	Tändsystem kpl.....	Magneto armature.....			
	B18	1	1	493880	• Anslutningshylsa.....	• Terminal.....			
	B19	1	1	222698	• Kil.....	• Key.....			
	B20	1	1	398808	• Kortslutningskabel.....	• Ground wire.....			
	B21	1		691107	Skruv.....	Screw.....			

A



B

