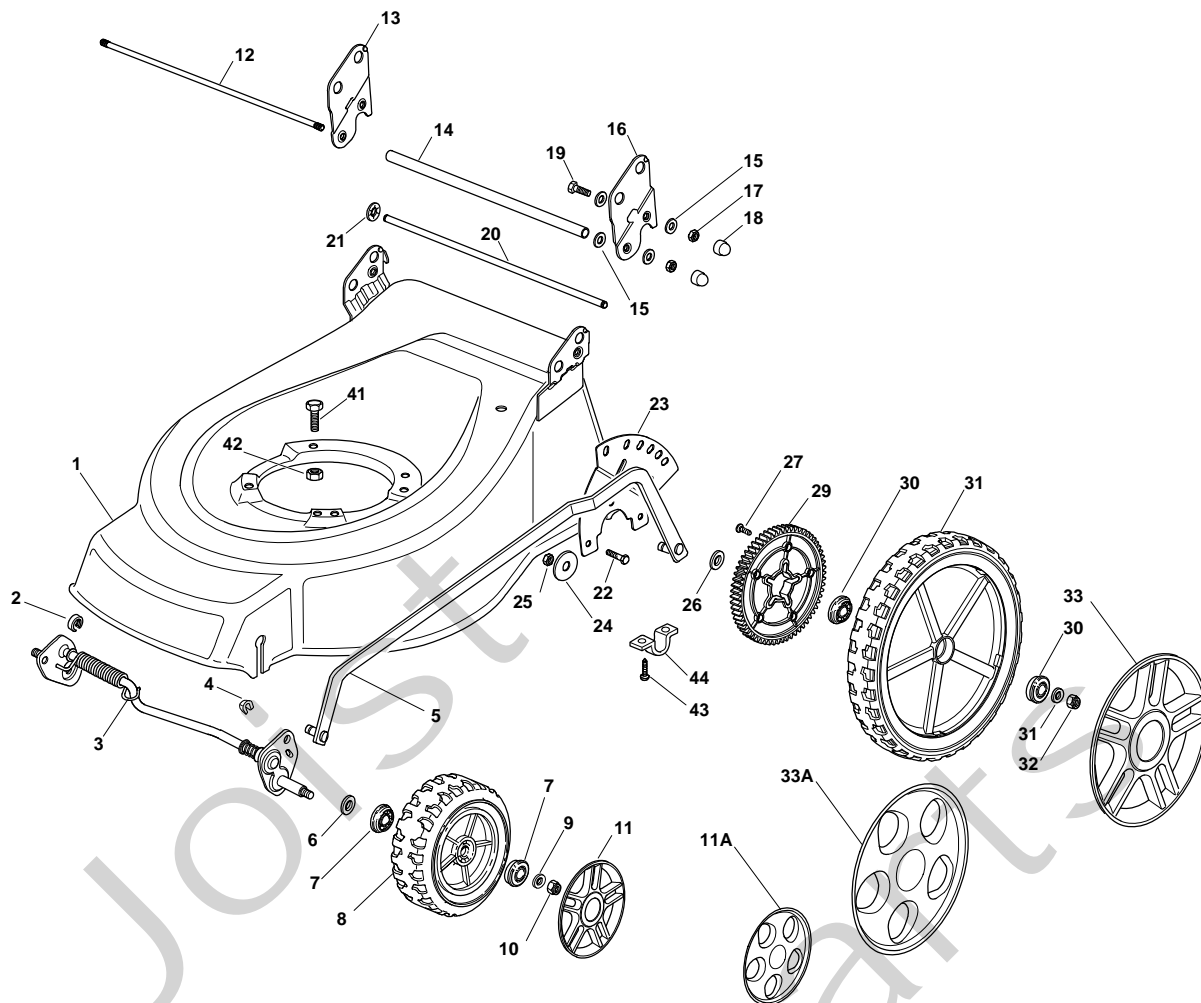


# **Genuine Spare Parts**

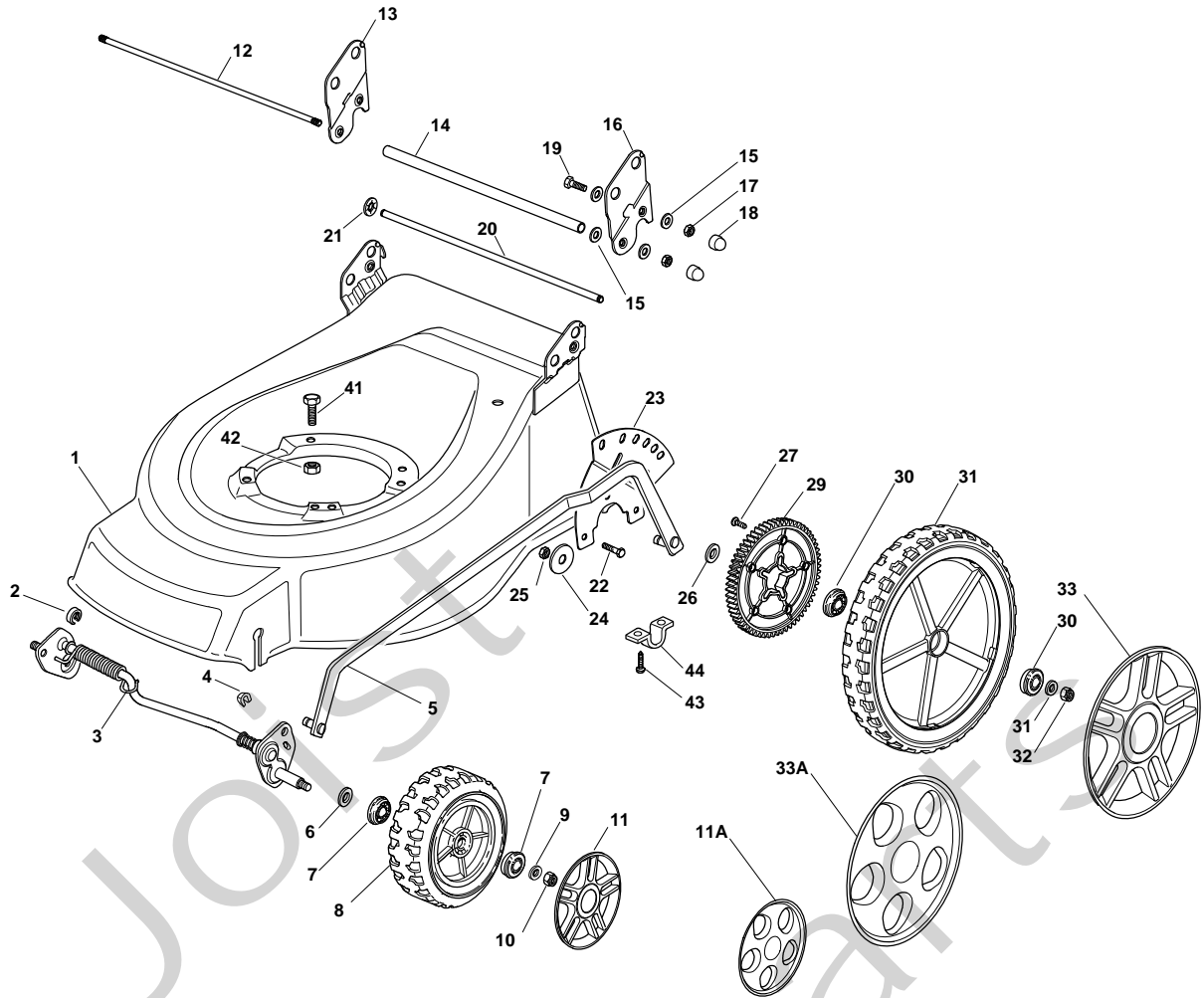
---

**COMBI 53 S BW**

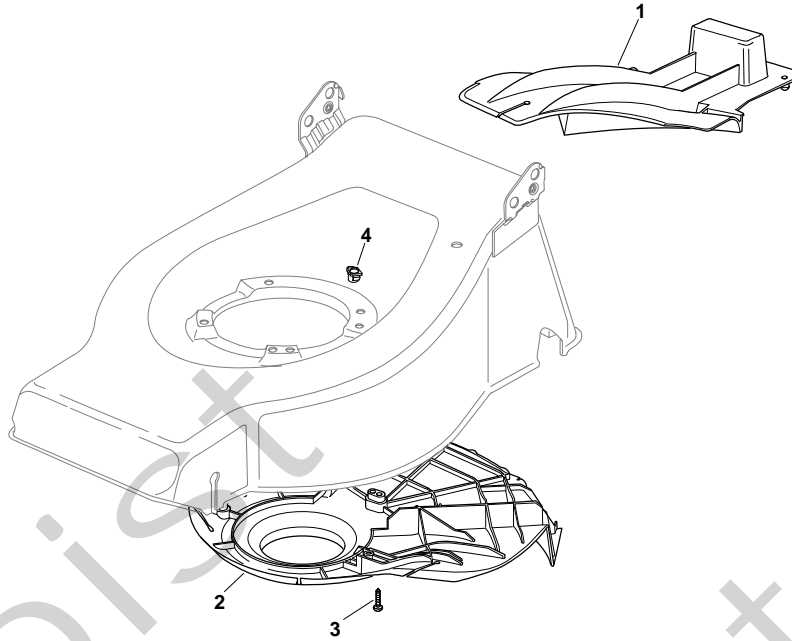


**COMBI 53 S BW - Model Year 2009**


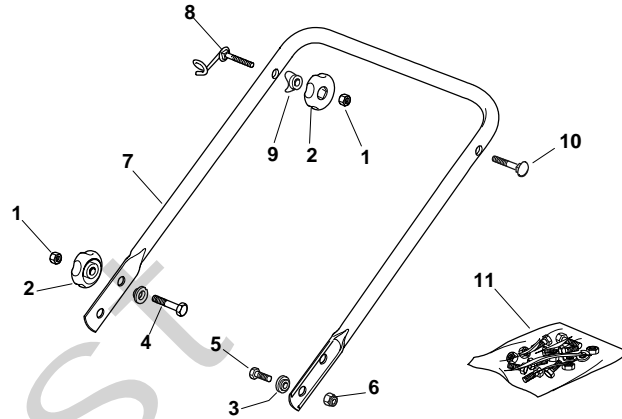
| Pos. Fig. | Antal Quantity | Art No Part No | Benämning          | Description               | Anmärkning Notes |
|-----------|----------------|----------------|--------------------|---------------------------|------------------|
| 1         | 1              | 381002626/0    | Chassi             | Deck Yellow               |                  |
| 1         | 1              | 381002626/0    | Chassi             | Deck Yellow               | 534              |
| 2         | 2              | 22171002/0     | Distans            | Spacer                    |                  |
| 3         | 1              | 381002859/0    | Hjulaxel           | Axle, Front Wheels        | 534              |
| 3         | 1              | 381002859/0    | Hjulaxel           | Axle, Front Wheels        |                  |
| 4         | 2              | 12436050/0     | Låsplatta          | Plate                     |                  |
| 5         | 1              | 381002017/0    | Höjdiställn.stång  | Rod, Height Adjustment    |                  |
| 5         | 1              | 381002017/0    | Höjdiställn.stång  | Rod, Height Adjustment    | 534              |
| 6         | 2              | 12530150/0     | Bricka             | Washer                    |                  |
| 7         | 4              | 22122200/0     | Kullager           | Bearing                   |                  |
| 8         | 2              | 81007343/0     | Hjul               | Wheel                     |                  |
| 9         | 2              | 12521350/0     | Bricka             | Washer                    |                  |
| 10        | 2              | 12155000/0     | Mutter             | Nut                       |                  |
| 11A       | 2              | 22110417/0     | Navkapsel          | Hub Cap                   |                  |
| 11        | 2              | 22110492/0     | Navkapsel          | Hub Cap Grey              |                  |
| 12        | 1              | 22517702/1     | Pivotstång         | Stone Guard Fulcrum       |                  |
| 13        | 1              | 22778427/0     | Fäste-hö           | Bracket, R                |                  |
| 14        | 1              | 22869717/0     | Distansrör         | Spacer                    |                  |
| 15        | 8              | 22671653/0     | Bricka             | Washer                    |                  |
| 16        | 1              | 22778429/0     | Fäste-vä           | Bracket, L                |                  |
| 17        | 4              | 12155000/0     | Mutter             | Nut                       |                  |
| 18        | 4              | 18203854/0     | Tätningshylsa      | Protection                |                  |
| 19        | 2              | 12793301/0     | Skruv              | Screw                     |                  |
| 20        | 1              | 22517860/0     | Axel               | Pin                       |                  |
| 21        | 2              | 12604899/0     | Låsbricka          | Crown Fastener            |                  |
| 22        | 3              | 12792611/0     | Skruv              | Screw                     |                  |
| 23        | 1              | 322735579/1    | Höjdiställn.sektor | Sector, Height Adjustment |                  |
| 24        | 3              | 12523060/0     | Bricka             | Washer                    |                  |
| 25        | 3              | 12155000/0     | Mutter             | Nut                       |                  |
| 26        | 2              | 22675100/0     | Bricka             | Washer                    |                  |
| 27        | 6              | 12728691/0     | Skruv              | Screw                     |                  |

**COMBI 53 S BW - Model Year 2009**


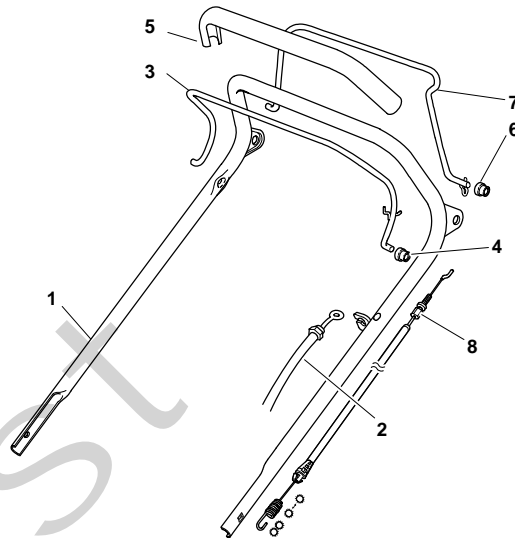
| Pos. Fig. | Antal Quantity | Art No Part No | Benämning     | Description         | Anmärkning Notes |
|-----------|----------------|----------------|---------------|---------------------|------------------|
| 28        | 2              | 22120110/0     | Drev          | Sprocket            |                  |
| 29        | 4              | 22122200/0     | Kullager      | Bearing             |                  |
| 30        | 2              | 81007380/0     | Hjul          | Wheel               |                  |
| 31        | 4              | 12521350/0     | Bricka        | Washer              |                  |
| 32        | 2              | 12155000/0     | Mutter        | Nut                 |                  |
| 33        | 2              | 322110560/0    | Navkapsel-grå | Hub Cap, Grey D.300 |                  |
| 33A       | 2              | 322110590/0    | Navkapsel     | Hub Cap             |                  |
| 41        | 1              | 12691800/0     | Skruv         | Screw               |                  |
| 41        | 3              | 12793701/0     | Skruv         | Screw               |                  |
| 42        | 1              | 12155000/0     | Mutter        | Nut                 |                  |
| 42        | 3              | 12293201/0     | Mutter        | Nut                 |                  |
| 43        | 4              | 12731350/0     | Skruv         | Screw               |                  |
| 44        | 2              | 22545152/0     | Bygel         | Plate               |                  |



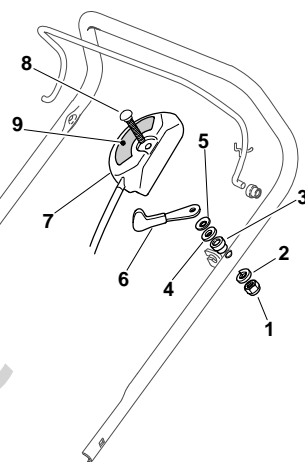
| Pos. Fig. | Antal Quantity | Art No Part No | Benämning  | Description   | Anmärkning Notes |
|-----------|----------------|----------------|------------|---------------|------------------|
| 1         | 1              | 22140222/0     | Mulchplugg | Deflector     |                  |
| 1         | 1              | 22140222/0     | Mulchplugg | Deflector     | 534              |
| 2         | 1              | 322060197/2    | Skydd      | Protection    |                  |
| 2         | 1              | 322060197/2    | Skydd      | Protection    | 534              |
| 3         | 3              | 12728530/0     | Skruv      | Screw         |                  |
| 4         | 1              | 22291150/0     | Gummihylsa | Rubber Insert |                  |



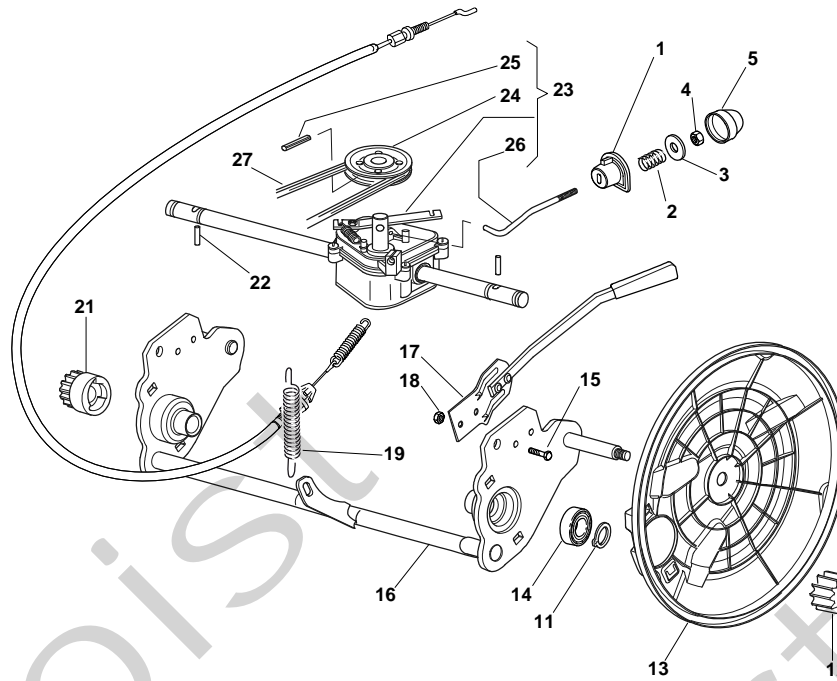
| Pos. Fig. | Antal Quantity | Art No Part No | Benämning      | Description        | Anmärkning Notes |
|-----------|----------------|----------------|----------------|--------------------|------------------|
| 1         | 4              | 12293200/0     | Mutter         | Nut                |                  |
| 2         | 4              | 322399804/1    | Knopp          | Knob               |                  |
| 3         | 4              | 22041955/0     | Bussning       | Bush               |                  |
| 4         | 2              | 12793700/0     | Skruv          | Screw              |                  |
| 5         | 2              | 12792610/0     | Skruv          | Screw              |                  |
| 6         | 2              | 12155000/0     | Mutter         | Nut                |                  |
| 7         | 1              | 81006512/0     | Styre-underdel | Handle, Lower Part |                  |
| 7         | 1              | 81006521/0     | Styre-underdel | Handle, Lower Part |                  |
| 8         | 1              | 81003801/1     | Snörhållare    | Guide Spring       |                  |
| 9         | 2              | 22680006/1     | Bricka         | Washer             |                  |
| 10        | 1              | 12819201/0     | Skruv          | Screw              |                  |
| 11        | 1              | 81008614/3     | Skruvsats      | Outfit, Screws     |                  |



| Pos. Fig. | Antal Quantity | Art No Part No | Benämning      | Description                | Anmärkning Notes              |
|-----------|----------------|----------------|----------------|----------------------------|-------------------------------|
| 1         | 1              | 81007024/0     | Styre-överdel  | Handle, Upper Part         |                               |
| 2         | 1              | 181000761/0    | Motorbromswire | Cable, Thread Engine Brake |                               |
| 2         | 1              | 181000761/0    | Motorbromswire | Cable, Thread Engine Brake | 534 W TR (B&S 625-675 Series) |
| 2         | 1              | 81000616/1     | Motorbromswire | Cable, Thread Engine Brake | 534 W TR (Honda Gcv 135-160)  |
| 2         | 1              | 81000616/1     | Motorbromswire | Cable, Thread Engine Brake |                               |
| 2         | 1              | 81000756/0     | Motorbromswire | Cable, Thread Engine Brake | 534 W TR (Ggp 160cc)          |
| 2         | 1              | 81000756/0     | Motorbromswire | Cable, Thread Engine Brake | 534 W TR (Ggp 196cc)          |
| 2         | 1              | 81000756/0     | Motorbromswire | Cable, Thread Engine Brake |                               |
| 3         | 1              | 81003291/3     | Reglagebygel   | Lever, Engine Brake        |                               |
| 4         | 2              | 22041966/0     | Bussning       | Bush                       |                               |
| 5         | 1              | 22291050/0     | Handtag        | Handgrip Black             |                               |
| 6         | 2              | 22041965/1     | Bussning       | Bush                       |                               |
| 7         | 1              | 81003288/1     | Reglagebygel   | Lever, Driving             |                               |
| 8         | 1              | 81000668/1     | Kopplingswire  | Cable, Rear Drive          | (General Transmission)        |
| 8         | 1              | 81000668/1     | Kopplingswire  | Cable, Rear Drive          |                               |
| 8         | 1              | 81000672/0     | Kopplingswire  | Cable, Rear Drive          |                               |
| 8         | 1              | 81000672/0     | Kopplingswire  | Cable, Rear Drive          | (Bi Ci Di)                    |

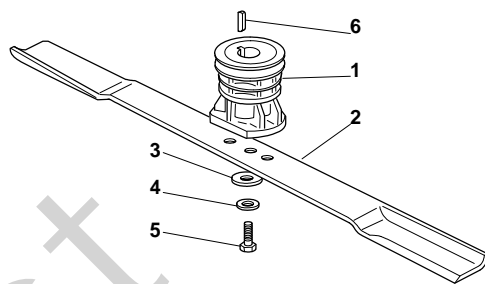


| Pos. Fig. | Antal Quantity | Art No Part No | Benämning | Description     | Anmärkning Notes                                      |
|-----------|----------------|----------------|-----------|-----------------|---|
| 1         | 1              | 12291000/0     | Mutter    | Nut             |   |
| 2         | 1              | 12581500/0     | Låsbricka | Grower          |   |
| 3         | 1              | 22171005/0     | Distans   | Spacer          |   |
| 4         | 1              | 12521360/0     | Bricka    | Washer          |   |
| 5         | 1              | 12508100/0     | Låsbricka | Washer          |   |
| 6         | 1              | 81007220/0     | Gasarm    | Lever, Throttle |   |
| 6         | 1              | 81007220/0     | Gasarm    | Lever, Throttle | (B&S 450-500 Series - Ggp 150 cc)                     |
| 6         | 1              | 81007279/1     | Gasarm    | Lever, Throttle | (B&S 625-675-700 Series - Honda - Ggp 140-160-196 cc) |
| 6         | 1              | 81007279/1     | Gasarm    | Lever, Throttle |   |
| 7         | 1              | 81007080/0     | Gaswire   | Cable, Throttle |   |
| 8         | 1              | 12815000/0     | Skruv     | Screw           |   |
| 9         | 1              | 114356905/0    | Dekal     | Label           |   |
| 9         | 1              | 114356905/0    | Dekal     | Label           | (Honda GCV 160-190 Autochoke)                         |
| 9         | 1              | 114356905/0    | Dekal     | Label           | (B&S 700 series DOV)                                  |
| 9         | 1              | 114364264/0    | Dekal     | Label           | AVS (GGP 160-196)                                     |
| 9         | 1              | 114364264/0    | Dekal     | Label           |   |
| 9         | 1              | 14356702/0     | Dekal     | Label           | (GGP)   |
| 9         | 1              | 14356702/0     | Dekal     | Label           | (Honda)   |
| 9         | 1              | 14356702/0     | Dekal     | Label           |   |
| 9         | 1              | 14356703/0     | Dekal     | Label           |   |
| 9         | 1              | 14356703/0     | Dekal     | Label           | (B&S)   |

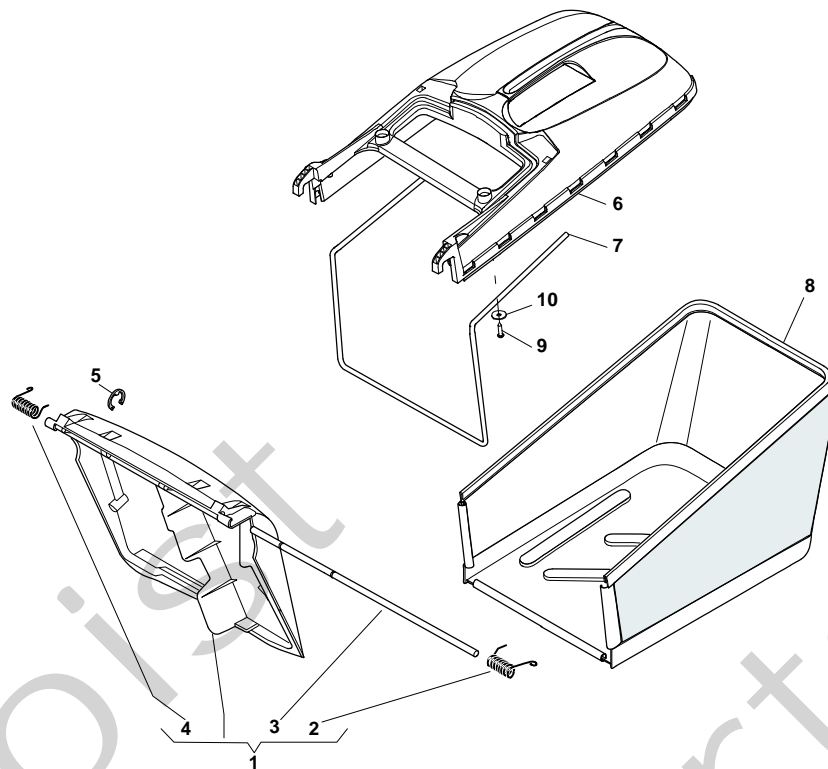


| Pos. Fig. | Antal Quantity | Art No Part No | Benämning       | Description              | Anmärkning Notes       |
|-----------|----------------|----------------|-----------------|--------------------------|------------------------|
| 1         | 1              | 22041957/1     | Bussning        | Bush                     |                        |
| 2         | 1              | 22450063/0     | Fjäder          | Spring                   |                        |
| 3         | 1              | 22680009/0     | Bricka          | Washer                   |                        |
| 4         | 1              | 12154510/0     | Mutter          | Nut                      |                        |
| 5         | 1              | 22110230/0     | Lock            | Cap                      |                        |
| 11        | 4              | 12608600/0     | Låsring         | Snap Ring                |                        |
| 12        | 1              | 22570110/1     | Drev            | Pinion R                 |                        |
| 13        | 2              | 22600160/0     | Hjulskydd       | Protection, Wheel        |                        |
| 14        | 2              | 19216035/0     | Lager           | Bearing                  |                        |
| 15        | 2              | 12789000/0     | Skruv           | Screw                    |                        |
| 16        | 1              | 381002853/2    | Hjulaxel        | Axle, Rear Wheels        |                        |
| 17        | 1              | 381003326/0    | Höjdställn.spak | Lever, Height Adjustment |                        |
| 18        | 2              | 12154330/0     | Mutter          | Nut                      |                        |
| 19        | 1              | 122450454/0    | Fjäder          | Spring                   |                        |
| 21        | 1              | 22570120/1     | Drev            | Pinion L                 |                        |
| 22        | 2              | 22753000/0     | Stift           | Pin                      |                        |
| 23        | 1              | 81003092/0     | Transmission    | Gear Box                 | (General Transmission) |
| 23        | 1              | 81003092/0     | Transmission    | Gear Box                 |                        |
| 24        | 1              | 22601904/0     | Remskiva        | Pulley                   |                        |
| 25        | 1              | 12645705/0     | Stift           | Pin                      |                        |
| 26        | 1              | 22033283/0     | Justerstäng     | Adjustment Rod           | (General Transmission) |
| 26        | 1              | 22033283/0     | Justerstäng     | Adjustment Rod           |                        |
| 27        | 1              | 35063800/0     | Drivrem         | Belt                     | 484                    |
| 27        | 1              | 35063902/0     | Drivrem         | Belt                     |                        |
| 27        | 1              | 35063902/0     | Drivrem         | Belt                     | 534                    |





| Pos. Fig. | Antal Quantity | Art No Part No | Benämning | Description     | Anmärkning Notes |
|-----------|----------------|----------------|-----------|-----------------|------------------|
| 1         | 1              | 22465607/2     | Knivfäste | Hub With Pulley |                  |
| 2         | 1              | 81004381/1     | Kniv      | Blade Standard  |                  |
| 2         | 1              | 81004381/1     | Kniv      | Blade Standard  | 534              |
| 2         | 1              | 81004383/0     | Kniv      | Blade, Avs      |                  |
| 2         | 1              | 81004398/0     | Kniv      | Blade Standard  | 534              |
| 2         | 1              | 81004398/0     | Kniv      | Blade Standard  |                  |
| 3         | 1              | 22160400/0     | Bricka    | Elastic Washer  |                  |
| 4         | 1              | 12523080/0     | Bricka    | Washer          |                  |
| 5         | 1              | 12735698/0     | Skruv     | Screw           |                  |
| 6         | 1              | 12139100/0     | Kil       | Key             |                  |



| Pos. Fig. | Antal Quantity | Art No Part No | Benämning          | Description      | Anmärkning Notes |
|-----------|----------------|----------------|--------------------|------------------|------------------|
| 1         | 1              | 381008021/1    | Lucka              | Stone-Guard      |                  |
| 2         | 1              | 22450420/1     | Fjäder-vä          | L Spring         |                  |
| 3         | 1              | 22517906/1     | Axel               | Pin              |                  |
| 4         | 1              | 22450410/1     | Fjäder-hö          | R Spring         |                  |
| 5         | 1              | 12000930/0     | Låsring            | Snap Ring        |                  |
| 6         | 1              | 22486101/0     | Uppsamlare-överdel | Grass-Box, Upper |                  |
| 7         | 1              | 22608525/0     | Trådbygel          | Stiffening Lower |                  |
| 8         | 1              | 81002211/0     | Uppsamlingsäck     | Box, Fabric      |                  |
| 9         | 2              | 12728680/0     | Skruv              | Screw            |                  |
| 10        | 2              | 12523050/0     | Bricka             | Washer           |                  |