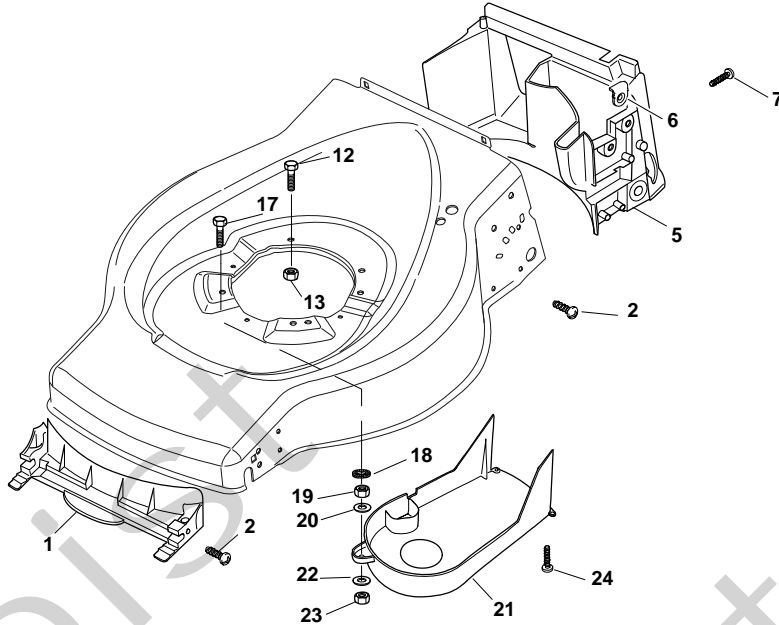


# **Genuine Spare Parts**

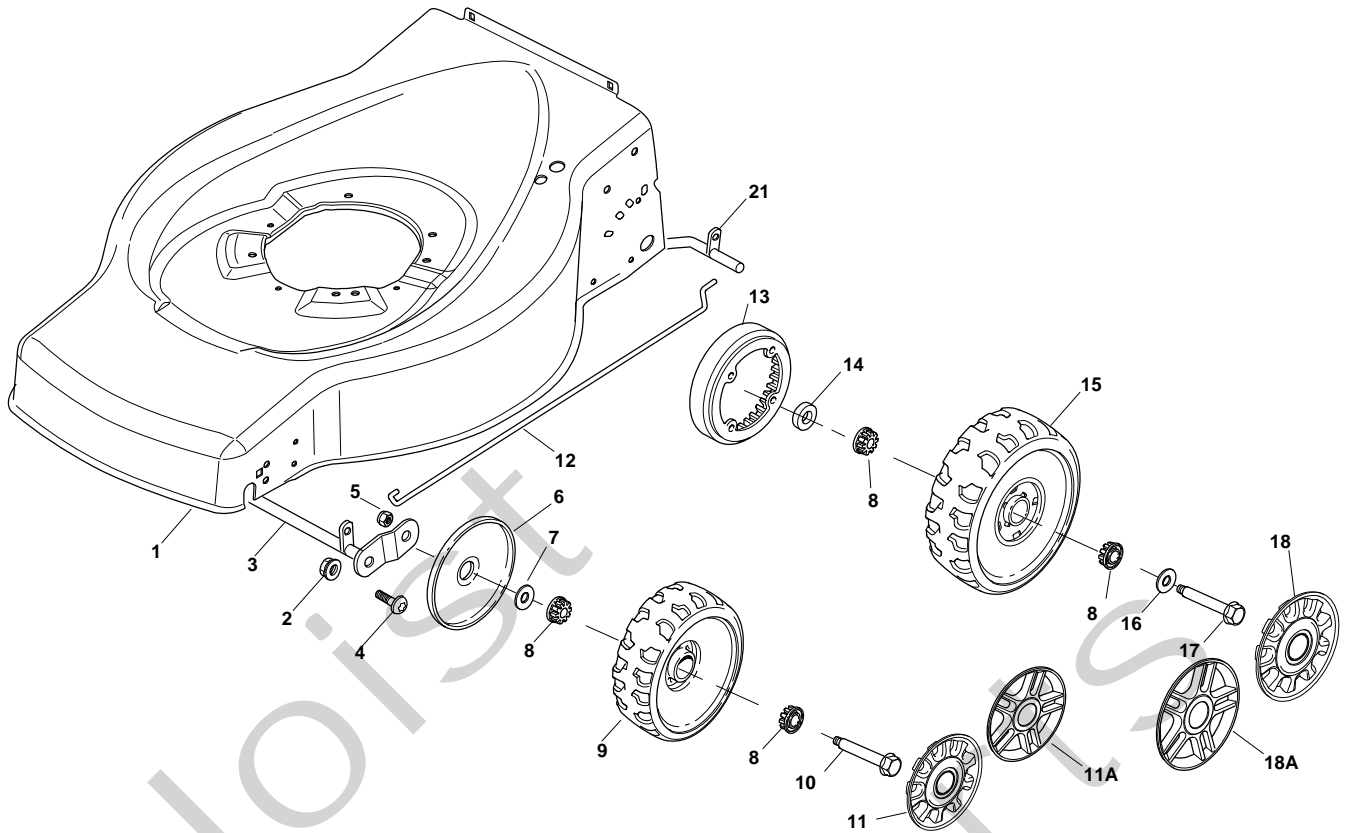
---

**COMBI 46 S  
ETHANOL**

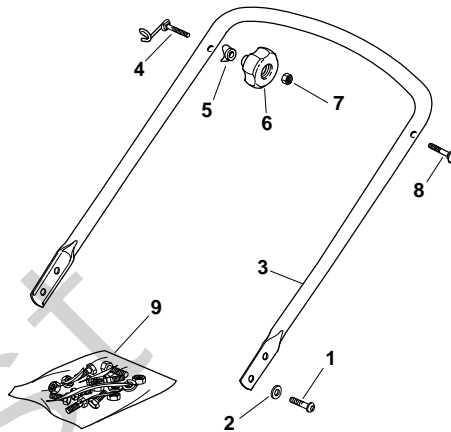




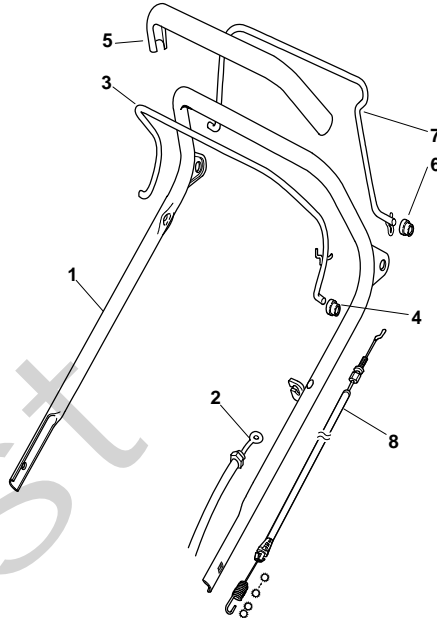
| Pos. Fig. | Antal Quantity | Art No Part No | Benämning      | Description         | Anmärkning Notes           |
|-----------|----------------|----------------|----------------|---------------------|----------------------------|
| 1         | 1              | 22108271/0     | Ledplåt-främre | Front Conveyor Assy |                            |
| 2         | 6              | 12728686/0     | Skruv          | Screw               |                            |
| 5         | 1              | 22108272/2     | Ledplåt-bakre  | Rear Conveyor Assy  |                            |
| 6         | 4              | 322545189/0    | Plåt           | Plate               |                            |
| 7         | 2              | 12728686/0     | Skruv          | Screw               |                            |
| 12        | 2              | 12793701/0     | Skruv          | Screw               |                            |
| 13        | 2              | 12293201/0     | Mutter         | Nut                 |                            |
| 17        | 1              | 12691115/0     | Skruv          | Screw               | (Honda)                    |
| 17        | 1              | 12691115/0     | Skruv          | Screw               | (GGP)                      |
| 17        | 1              | 12691115/0     | Skruv          | Screw               |                            |
| 17        | 1              | 12775000/0     | Skruv          | Screw               | (B&S Classic/Sprint/Ls/Lc) |
| 17        | 1              | 12775000/0     | Skruv          | Screw               |                            |
| 18        | 1              | 12540060/0     | Bricka         | Washer              |                            |
| 19        | 1              | 12293200/0     | Mutter         | Nut                 |                            |
| 20        | 1              | 22671651/0     | Bricka         | Washer              |                            |
| 21        | 1              | 22060212/0     | Remskydd       | Protection, Belt    |                            |
| 21        | 1              | 22060212/0     | Remskydd       | Protection, Belt    | 464                        |
| 21        | 1              | 322060222/0    | Remskydd       | Protection, Belt    | 534                        |
| 21        | 1              | 322060222/0    | Remskydd       | Protection, Belt    |                            |
| 22        | 1              | 25670011/0     | Bricka         | Washer              |                            |
| 23        | 1              | 12155000/0     | Mutter         | Nut                 |                            |
| 24A       | 2              | 12728530/0     | Skruv          | Screw               |                            |
| 24A       | 2              | 12728530/0     | Skruv          | Screw               | 534                        |
| 24        | 2              | 12728686/0     | Skruv          | Screw               |                            |
| 34        | 1              | 22140226/0     | Mulchplugg     | Deflector           | 464                        |
| 34        | 1              | 22140226/0     | Mulchplugg     | Deflector           |                            |
| 34        | 1              | 322140233/0    | Mulchplugg     | Deflector           | 534                        |
| 34        | 1              | 322140233/0    | Mulchplugg     | Deflector           |                            |



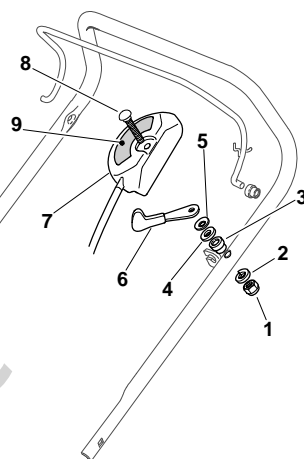
| Pos. Fig. | Antal Quantity | Art No Part No | Benämning   | Description        | Anmärkning Notes |
|-----------|----------------|----------------|-------------|--------------------|------------------|
| 1         | 1              | 81002553/0     | Chassi      | Deck Grey          |                  |
| 1         | 1              | 81002553/0     | Chassi      | Deck Grey          | 464              |
| 2         | 2              | 12155000/0     | Mutter      | Nut                |                  |
| 3         | 1              | 81000153/0     | Hjulaxel    | Axle, Front Wheels |                  |
| 4         | 2              | 12760600/0     | Skruv       | Screw              |                  |
| 5         | 2              | 22131750/0     | Mutter      | Nut                |                  |
| 6         | 2              | 22600095/0     | Hjulskydd   | Protection         |                  |
| 7         | 2              | 22671651/0     | Bricka      | Washer             |                  |
| 9         | 2              | 22686091/1     | Hjul        | Wheel              |                  |
| 10        | 2              | 22524341/0     | Hjulbult    | Pin                |                  |
| 11        | 2              | 22110491/0     | Navkapsel   | Hub Cap Grey       |                  |
| 11A       | 2              | 322110593/0    | Navkapsel   | Hub Cap            | 464              |
| 12        | 1              | 22033317/0     | Justersting | Adjustment Rod     |                  |
| 12        | 1              | 22033317/0     | Justersting | Adjustment Rod     |                  |
| 13        | 2              | 22120109/0     | Kuggring    | Sprocket           |                  |
| 14        | 2              | 22170622/0     | Distans     | Spacer             |                  |
| 15        | 2              | 22686093/0     | Hjul        | Wheel              |                  |
| 16        | 2              | 12523050/0     | Bricka      | Washer             |                  |
| 17        | 2              | 12735599/0     | Skruv       | Screw              |                  |
| 18A       | 2              | 22110492/0     | Navkapsel   | Hub Cap Grey       |                  |
| 18        | 2              | 322110594/0    | Navkapsel   | Hub Cap            |                  |
| 19        | 4              | 22675100/0     | Bricka      | Washer             |                  |
| 20        | 8              | 22122200/0     | Kullager    | Bearing            |                  |
| 21        | 1              | 81000159/0     | Hjulaxel    | Axle, Rear Wheels  |                  |



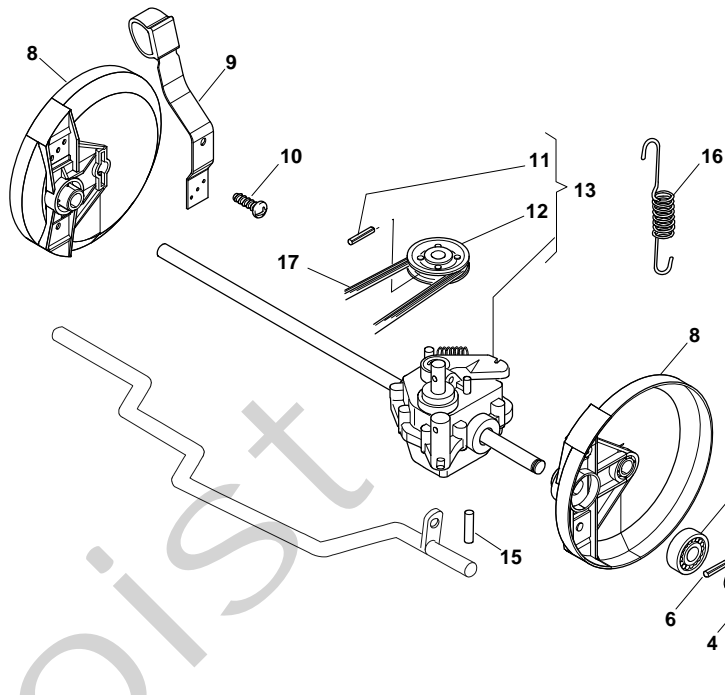
| Pos. Fig. | Antal Quantity | Art No Part No | Benämning      | Description        | Anmärkning Notes |
|-----------|----------------|----------------|----------------|--------------------|------------------|
| 1         | 4              | 12760605/0     | Skruv          | Screw              |                  |
| 2         | 4              | 12521350/0     | Bricka         | Washer             |                  |
| 3         | 1              | 81006570/0     | Styre-underdel | Handle, Lower Part |                  |
| 3         | 1              | 81006570/0     | Styre-underdel | Handle, Lower Part | 464              |
| 4         | 1              | 81003801/1     | Snörhållare    | Guide Spring       |                  |
| 5         | 2              | 22680006/1     | Bricka         | Washer             |                  |
| 6         | 2              | 322399804/1    | Knopp          | Knob               |                  |
| 7         | 2              | 12293200/0     | Mutter         | Nut                |                  |
| 8         | 1              | 12819201/0     | Skruv          | Screw              |                  |
| 9         | 1              | 81008648/1     | Skruvsats      | Outfit, Screws     |                  |



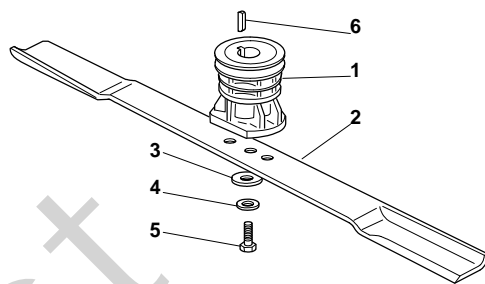
| Pos. Fig. | Antal Quantity | Art No Part No | Benämning      | Description                | Anmärkning Notes         |
|-----------|----------------|----------------|----------------|----------------------------|--------------------------|
| 1         | 1              | 81007024/0     | Styre-överdel  | Handle, Upper Part         |                          |
| 2         | 1              | 81000616/1     | Motorbromswire | Cable, Thread Engine Brake | 464 (Honda Gcv 135-160)  |
| 2         | 1              | 81000616/1     | Motorbromswire | Cable, Thread Engine Brake | 464 (Ggp 160cc)          |
| 2         | 1              | 81000616/1     | Motorbromswire | Cable, Thread Engine Brake | 464 (Ggp 140cc)          |
| 2         | 1              | 81000616/1     | Motorbromswire | Cable, Thread Engine Brake | 464 (B&S 450-500 Series) |
| 2         | 1              | 81000616/1     | Motorbromswire | Cable, Thread Engine Brake | 464 (B&S 625-675 Series) |
| 2         | 1              | 81000622/2     | Motorbromswire | Cable, Thread Engine Brake | 464 (Ggp 150cc)          |
| 2         | 1              | 81000622/2     | Motorbromswire | Cable, Thread Engine Brake |                          |
| 3         | 1              | 81003291/3     | Reglagebygel   | Lever, Engine Brake        |                          |
| 4         | 2              | 22041966/0     | Bussning       | Bush                       |                          |
| 5         | 1              | 22291050/0     | Handtag        | Handgrip Black             |                          |
| 6         | 2              | 22041965/1     | Bussning       | Bush                       |                          |
| 7         | 1              | 81003288/1     | Reglagebygel   | Lever, Driving             |                          |
| 8         | 1              | 381000778/0    | Kopplingswire  | Cable, Rear Drive          |                          |



| Pos. Fig. | Antal Quantity | Art No Part No | Benämning | Description     | Anmärkning Notes                                      |
|-----------|----------------|----------------|-----------|-----------------|---|
| 1         | 1              | 12291000/0     | Mutter    | Nut             |   |
| 2         | 1              | 12581500/0     | Låsbricka | Grower          |   |
| 3         | 1              | 22171005/0     | Distans   | Spacer          |   |
| 4         | 1              | 12521360/0     | Bricka    | Washer          |   |
| 5         | 1              | 12508100/0     | Låsbricka | Washer          |   |
| 6         | 1              | 81007220/0     | Gasarm    | Lever, Throttle | (B&S 450-500 Series - Ggp 150 cc)                     |
| 6         | 1              | 81007220/0     | Gasarm    | Lever, Throttle |   |
| 6         | 1              | 81007279/1     | Gasarm    | Lever, Throttle |   |
| 6         | 1              | 81007279/1     | Gasarm    | Lever, Throttle | (B&S 625-675-700 Series - Honda - Ggp 140-160-196 cc) |
| 7         | 1              | 81007080/0     | Gaswire   | Cable, Throttle |   |
| 8         | 1              | 12815000/0     | Skruv     | Screw           |   |
| 9         | 1              | 114356905/0    | Dekal     | Label           | (B&S 700 series DOV)                                  |
| 9         | 1              | 114356905/0    | Dekal     | Label           |   |
| 9         | 1              | 114356905/0    | Dekal     | Label           | (Honda GCV 160-190 Autochoke)                         |
| 9         | 1              | 114364264/0    | Dekal     | Label           | AVS (GGP 160-196)                                     |
| 9         | 1              | 114364264/0    | Dekal     | Label           |   |
| 9         | 1              | 14356702/0     | Dekal     | Label           | (GGP)   |
| 9         | 1              | 14356702/0     | Dekal     | Label           | (Honda)   |
| 9         | 1              | 14356702/0     | Dekal     | Label           |   |
| 9         | 1              | 14356703/0     | Dekal     | Label           | (B&S)   |
| 9         | 1              | 14356703/0     | Dekal     | Label           |   |

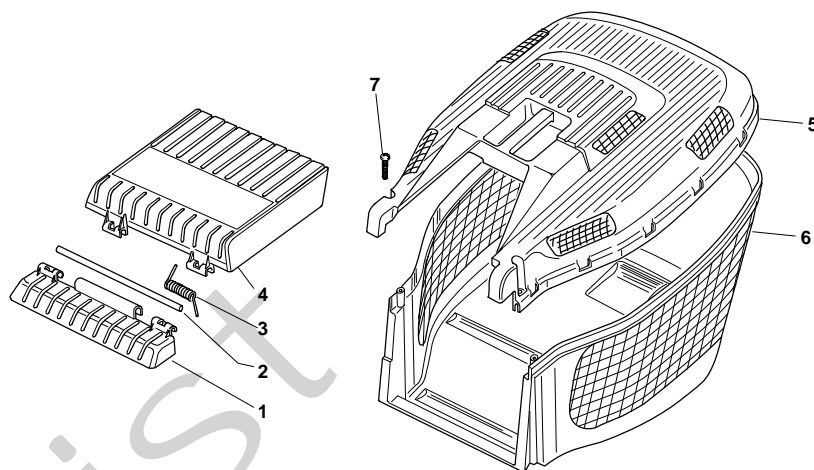


| Pos. Fig. | Antal Quantity | Art No Part No | Benämning          | Description              | Anmärkning Notes |
|-----------|----------------|----------------|--------------------|--------------------------|------------------|
| 1         | 2              | 12608520/0     | Låsring            | Seeger                   |                  |
| 2         | 2              | 22160520/0     | Dammskydd          | Dust Cover               |                  |
| 3         | 2              | 22570125/0     | Drev               | Pinion                   |                  |
| 4         | 2              | 22076645/0     | Kil                | Key                      |                  |
| 5         | 2              | 22160520/0     | Dammskydd          | Dust Cover               |                  |
| 6         | 2              | 12622620/0     | Stift              | Pin                      |                  |
| 7         | 2              | 22122202/0     | Lager              | Bearing                  |                  |
| 8         | 2              | 22600106/1     | Hjulskydd          | Protection, Wheel        |                  |
| 9         | 1              | 81003303/0     | Höjdställningsspak | Lever, Height Adjustment |                  |
| 10        | 2              | 12728689/0     | Skruv              | Screw                    |                  |
| 11        | 1              | 12713801/0     | Stift              | Dowel                    |                  |
| 12        | 1              | 22601909/0     | Remskiva           | Pulley                   |                  |
| 13        | 1              | 181003093/1    | Transmission       | Gear Box                 |                  |
| 15        | 2              | 22753001/0     | Stift              | Pin                      |                  |
| 16        | 1              | 22450438/0     | Fjäder             | Spring                   |                  |
| 17        | 1              | 35063750/0     | Drivrem            | Belt                     | 464              |
| 17        | 1              | 35063750/0     | Drivrem            | Belt                     |                  |



| Pos. Fig. | Antal Quantity | Art No Part No | Benämning | Description     | Anmärkning Notes |
|-----------|----------------|----------------|-----------|-----------------|------------------|
| 1         | 1              | 22465607/2     | Knivfäste | Hub With Pulley | 464              |
| 2         | 1              | 81004365/3     | Kniv      | Blade Standard  |                  |
| 2         | 1              | 81004365/3     | Kniv      | Blade Standard  |                  |
| 3         | 1              | 22160400/0     | Bricka    | Elastic Washer  |                  |
| 4         | 1              | 12523080/0     | Bricka    | Washer          |                  |
| 5         | 1              | 12735698/0     | Skruv     | Screw           |                  |
| 6         | 1              | 12139100/0     | Kil       | Key             |                  |





| Pos. Fig. | Antal Quantity | Art No Part No | Benämning           | Description         | Anmärkning Notes |
|-----------|----------------|----------------|---------------------|---------------------|------------------|
| 1         | 1              | 22785136/1     | Fäste               | Support             |                  |
| 2         | 1              | 22517858/0     | Axel                | Pin                 |                  |
| 3         | 1              | 22450431/0     | Fjäder              | Spring              |                  |
| 4         | 1              | 322600099/1    | Lucka               | Stone-Guard         |                  |
| 5         | 1              | 22486122/0     | Uppsamlare-överdel  | Grassbox Upper Part |                  |
| 6         | 1              | 22486128/0     | Uppsamlare-underdel | Grassbox Lower Part |                  |
| 7         | 2              | 12728686/0     | Skruv               | Screw               |                  |