

# Genuine Spare Parts

www.stiga.com

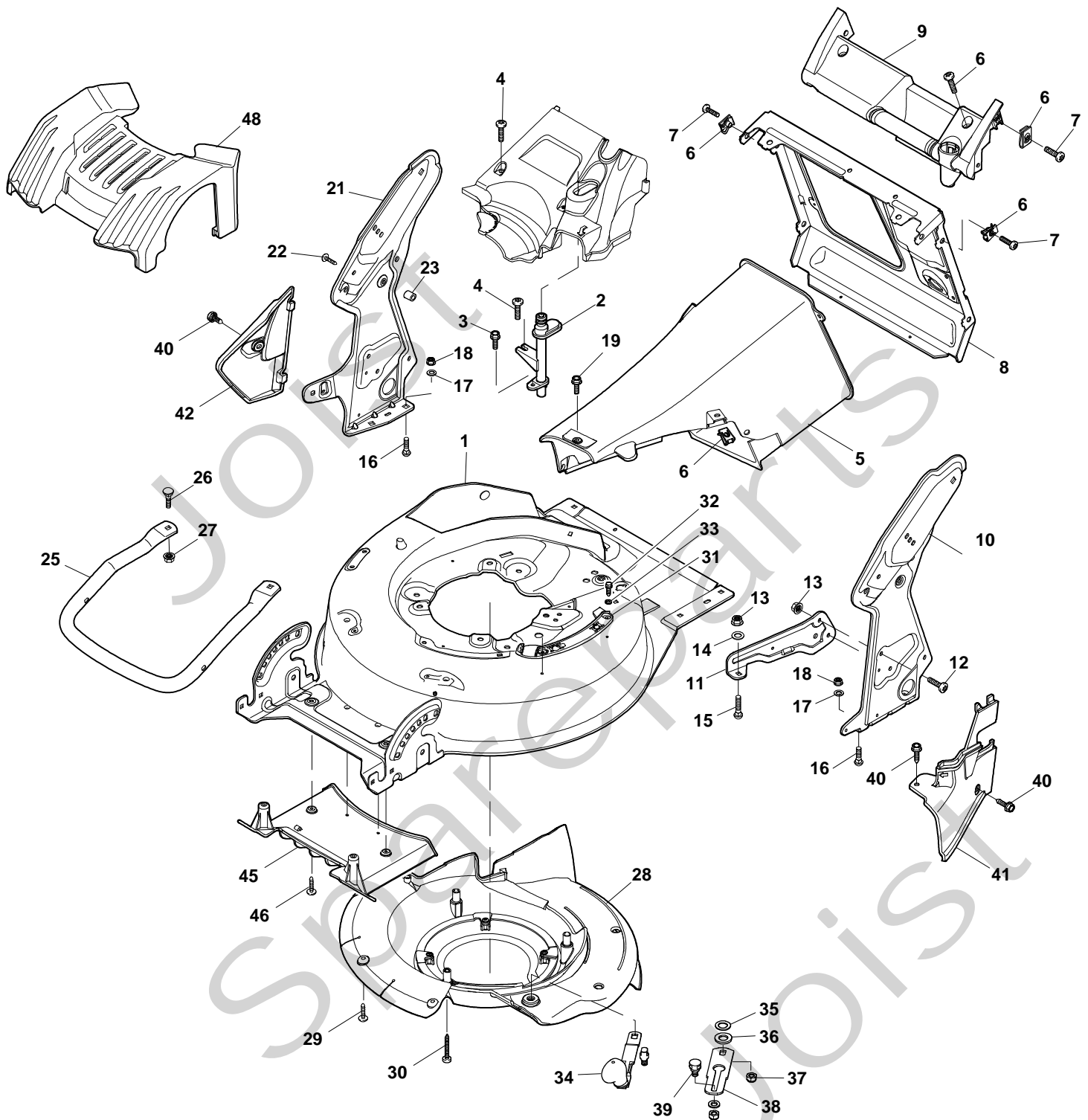
## TURBO EXCEL 55 4S Model Year 2010

- Use GLOBAL GARDEN PRODUCT Genuine Spare Parts specified in the parts list for repair and/or replacement.
- The contents described in the parts list may change due to improvement.
- The drawings of the spare parts are only indicative and might not represent the part in question exactly.
- The indications "right" - "left" - "front" - "rear" refer to the position of the operator when using the machine.
- When placing orders of parts for repair and/or replacement, make sure that the illustrated parts list is the one applying to the machine's year of manufacture, as shown on the identification plate attached to the machine.

COPYRIGHT by GLOBAL GARDEN PRODUCTS

All rights reserved. No part of this material may be reproduced or transmitted, in any form or by any means, electronic or mechanical, including photocopying, recording or by any information storage and retrieval system, without permission in writing from GLOBAL GARDEN PRODUCTS.

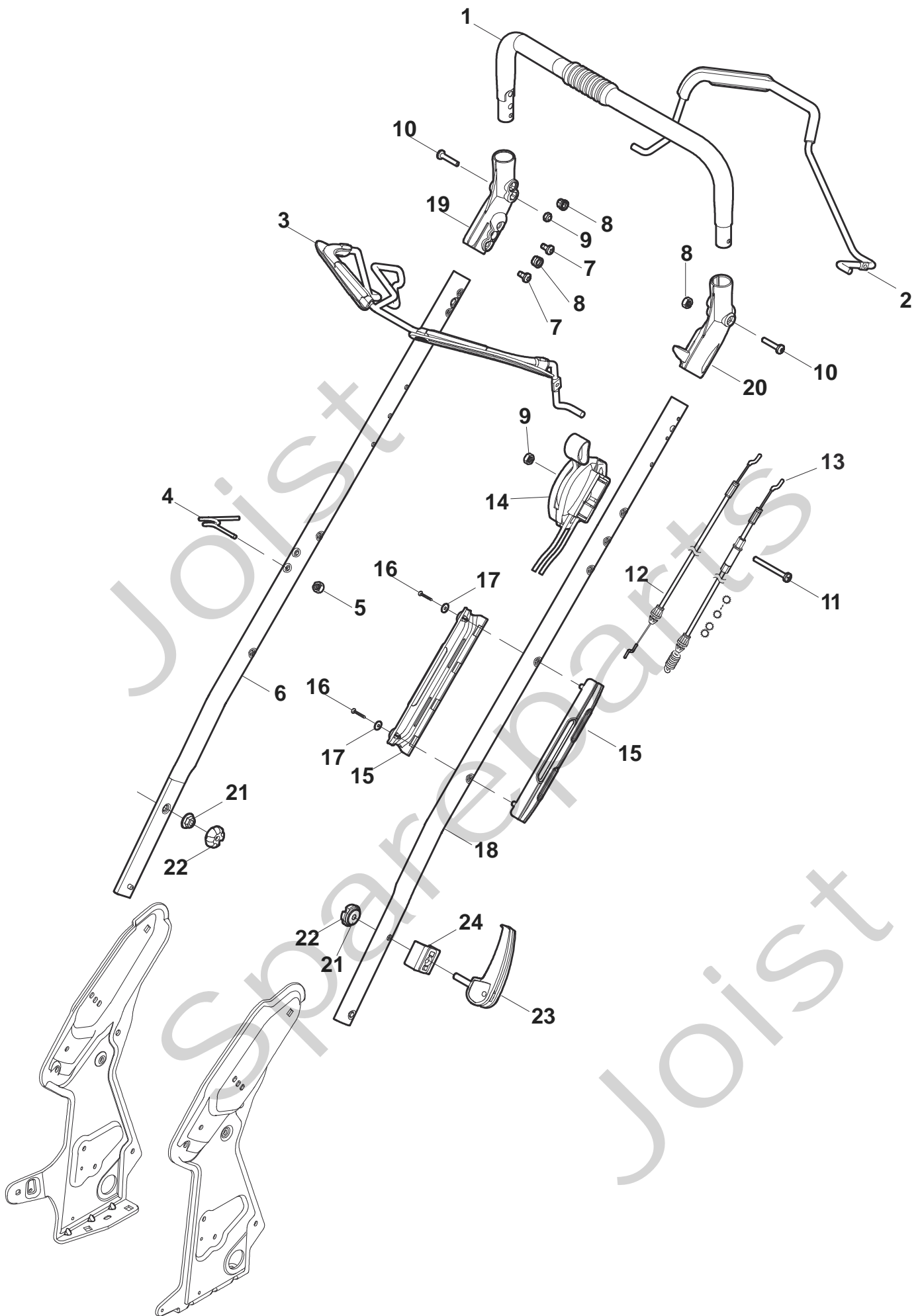
**STIGA**®





## TURBO EXCEL 55 4S - Model Year 2010

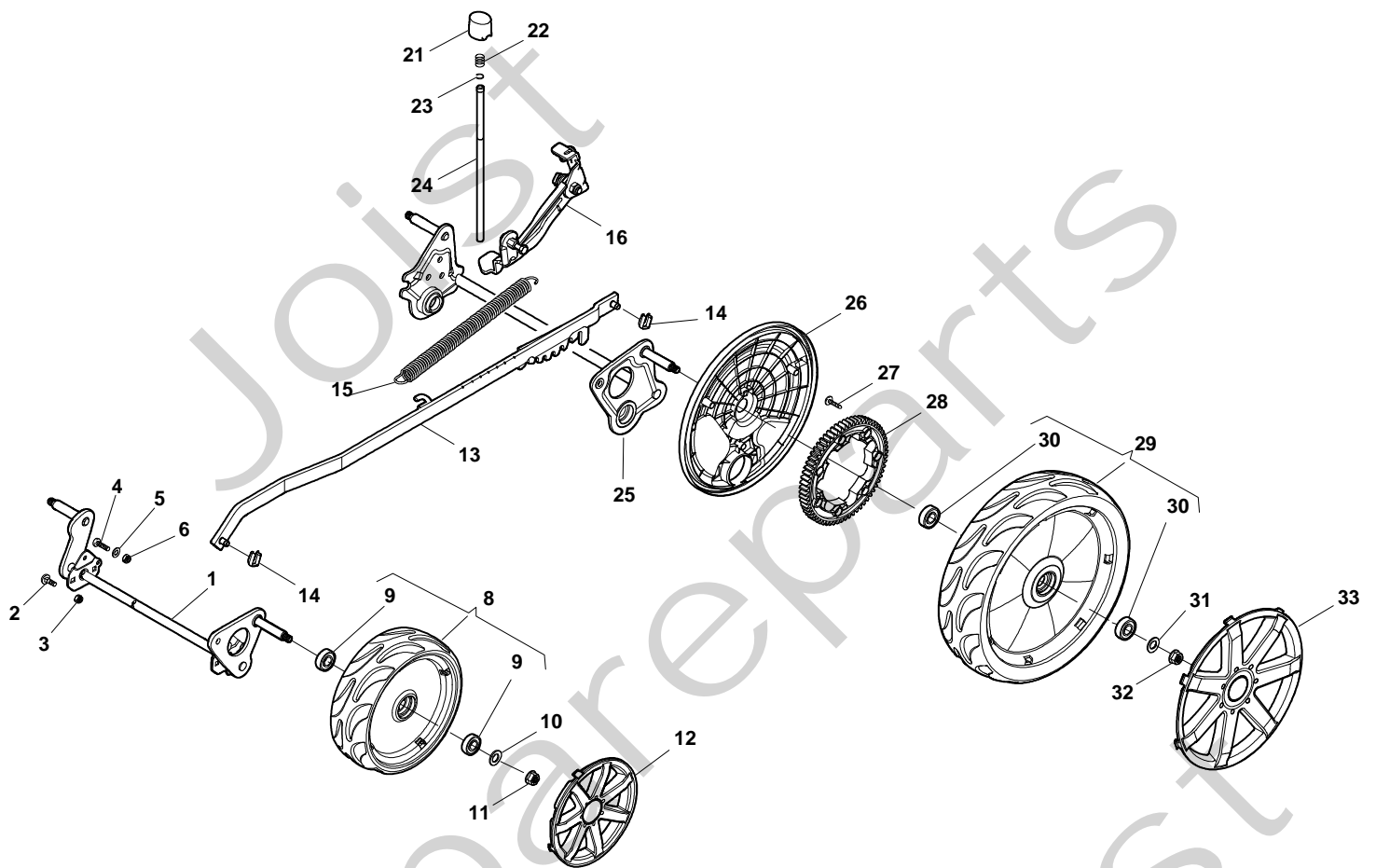
Pos. Fig.	Antal Quantity	Art No Part No	Benämning	Description	Anmärkning Notes
1	1	381003875/0		Deck Yellow	
1	1	381003944/0		Deck INOX	
2	1	322034001/1		Washing Connection	
3	5	125943004/0	Skruv	Screw	
4	2	112727802/0	Skruv	Screw	
5	1	322108294/0		Conveyor Yellow	
6	12	112437507/0	Plåt	Plate	
7	8	112727802/0	Skruv	Screw	
8	1	381545321/1		Rear Plate	
8	1	381545323/1	only TR-E	Rear Plate	only TR-E
9	1	322785282/0	Stöd	Support	
10	1	381545333/0		Bracket, L	
11	1	322545191/0	Stöd	Support	
12	2	112727803/0	Skruv	Screw	
13	4	12154510/0	Mutter	Nut	
14	1	12521330/0	Bricka	Washer	
15	1	12815200/0	Skruv	Screw	
16	4	12818690/0	Skruv	Screw	
17	4	12521350/0	Bricka	Washer	
18	4	12155000/0	Mutter	Nut	
19	2	12729601/1	Skruv	Screw	
21	1	381545331/0		Bracket, R	
22	2	112735662/1	Skruv	Screw	
23	2	122534128/0	Pin	Pin	
25	2	381393702/0		Protection	
26	2	12815205/0	Skruv	Screw	
27	2	12154510/0	Mutter	Nut	
28	1	381102203/0		Protection Mulching	
29	2	125943004/0	Skruv	Screw	
30	3	112735115/0	Skruv	Screw	
31	1	322500052/2		Shoe	
32	2	12731580/0	Skruv	Screw	
33	2	12521331/0	Bricka	Washer	
34	1	381003338/0	Arm	Lever	
35	1	21660100/0	Bricka	Washer	
36	1	12521370/0	Bricka	Washer	
37	1	12154210/0	Mutter	Nut	
38	1	322320009/0	Arm	Lever	
39	1	122042022/0	Bussning	Bush	
40	3	125943004/0	Skruv	Screw	
41	1	322109830/0		Guard Black	
42	1	322109825/0	Skydd	Guard Black	
45	1	322500101/0		Air Intake Grill	
46	2	112728706/0	Skruv	Screw	
46	4	12728703/0		Screw	
48	1	322226140/0		Mask, Yellow	
48	1	322226141/0		Mask, Grey	
49	2	112727801/0	Skruv	Screw	
50	2	112815270/0		Screw	
51	2	122671664/0		Spacer	
52	2	12540040/0	Bricka	Washer	
53	6	325160039/0		Spacer	
54	1	112794986/0		Screw	
55	2	112727799/0	Skruv	Screw	
56	1	12521350/0	Bricka	Washer	
57	1	12155000/0	Mutter	Nut	
58	1	381608501/0		Stiffening Lower	





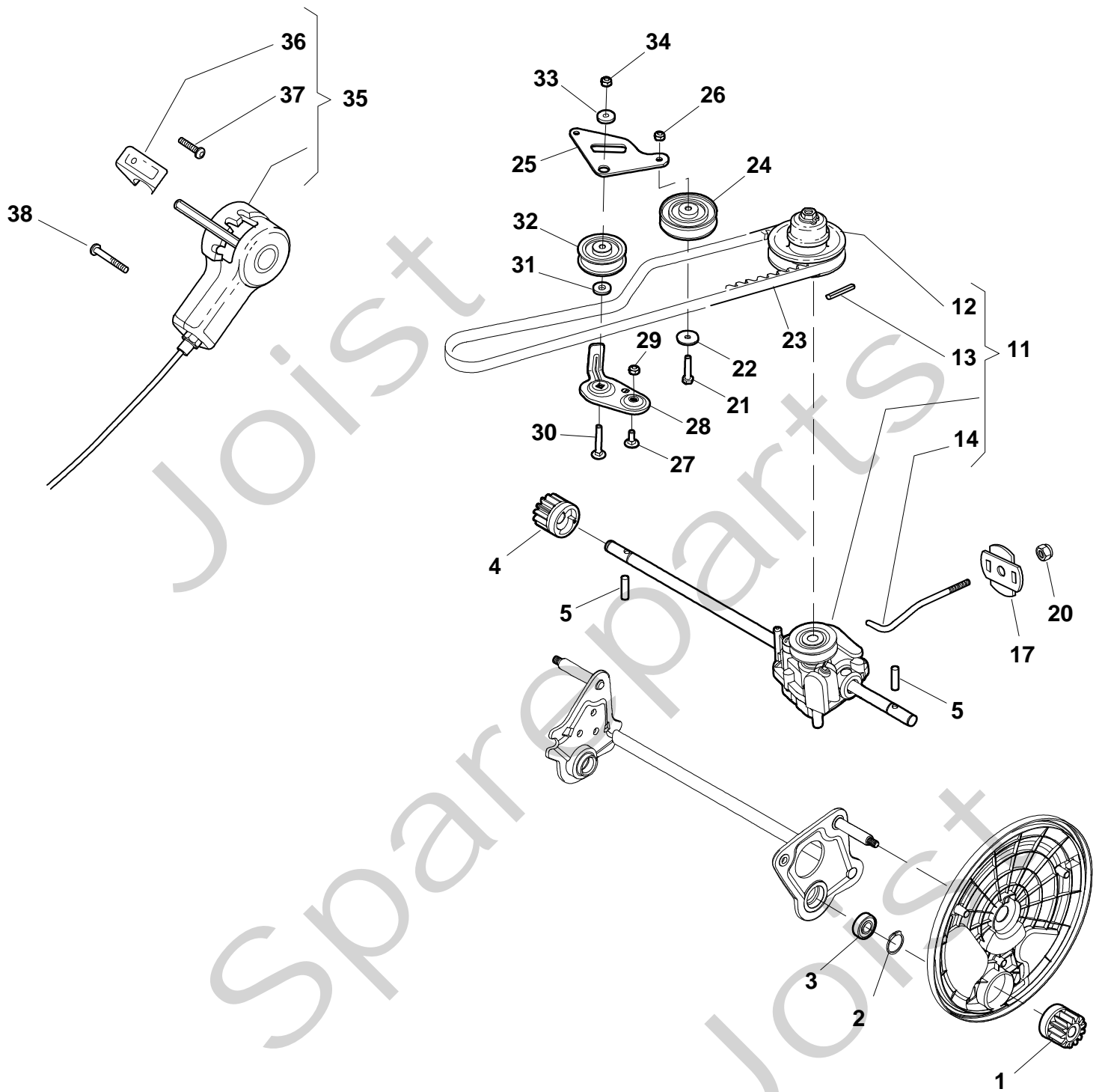
## TURBO EXCEL 55 4S - Model Year 2010

Pos. Fig.	Antal Quantity	Art No Part No	Benämning	Description	Anmärkning Notes
1	1	381006670/2		Handgrip	
1	1	381003349/0		Lever, Driving	
1	1	381003344/0		Lever, Engine Brake	
1	1	22430309/0	Ögla	Guide Spring	
1	1	12154330/0	Mutter	Nut	
1	1	381006821/0		Handle Grey, R	
1	1	381006895/0		Handle Black, R	
4	4	112735662/1	Skruv	Screw	
4	4	322041967/0		Bush	
3	3	12154510/0	Mutter	Nut	
2	2	112728721/0		Screw	
1	1	12727786/0	Skruv	Screw	
1	1	181030065/0		Cable, Thread Eng. Brake	
1	1	381030067/0		Cable, Rear Drive	
1	1	181005507/0	(GGP)	Throttle Cable	(GGP)
1	1	181005508/0	(B&S)	Throttle Cable	(B&S)
1	1	322806644/0		Protection	
2	2	12727812/0		Screw	
2	2	112523000/1	Bricka	Washer	
1	1	381006823/0		Handle Grey, L	
1	1	381006897/0		Handle Black, L	
1	1	322488301/0		Support	
1	1	322488303/0		Support	
2	2	112154220/0		Nut	
2	2	322399835/0		Knob	
2	2	381003253/0		Knob	
2	2	322680017/0		Support	



**TURBO EXCEL 55 4S - Model Year 2010**

Pos. Fig.	Antal Quantity	Art No Part No	Benämning	Description	Anmärkning Notes
1	1	381302801/0		Axle, Front Wheels	
2	4	12815205/0	Skruv	Screw	
3	4	12154510/0	Mutter	Nut	
4	2	112727799/0	Skruv	Screw	
5	2	12523040/0	Bricka	Washer	
6	2	12154510/0	Mutter	Nut	
8	2	381007394/1		Wheel Ø 210	
9	4	19216035/0	Lager	Bearing	
10	2	12521350/0	Bricka	Washer	
11	2	12155000/0	Mutter	Nut	
12	2	322110597/0	Navkapsel	Hub Cap	
13	1	381002035/0		Rod, Height Adjustment	
14	2	112436051/0	Plåt	Plate	
15	1	122450459/1		Spring	
16	1	381003337/1		Lever, Height Adjustment	
17	1	322570202/0		Cover	
21	1	322602012/1		Button	
22	1	122450462/0	Fjäder	Spring	
23	1	12000930/0	Låsring	Snap Ring	
24	1	122033351/1		Rod	
25	1	381002899/0		Axle, Rear Wheels	
26	2	322600179/0	Hjulskydd	Protection, Wheel	
27	6	12728691/0	Skruv	Screw	
28	2	322120113/0	Ringdrev	Ring Gear	
29	2	381007398/1		Wheel Ø 300	
30	4	19216035/0	Lager	Bearing	
31	2	12521350/0	Bricka	Washer	
32	2	12155000/0	Mutter	Nut	
33	2	322110598/0	Navkapsel	Hub Cap	

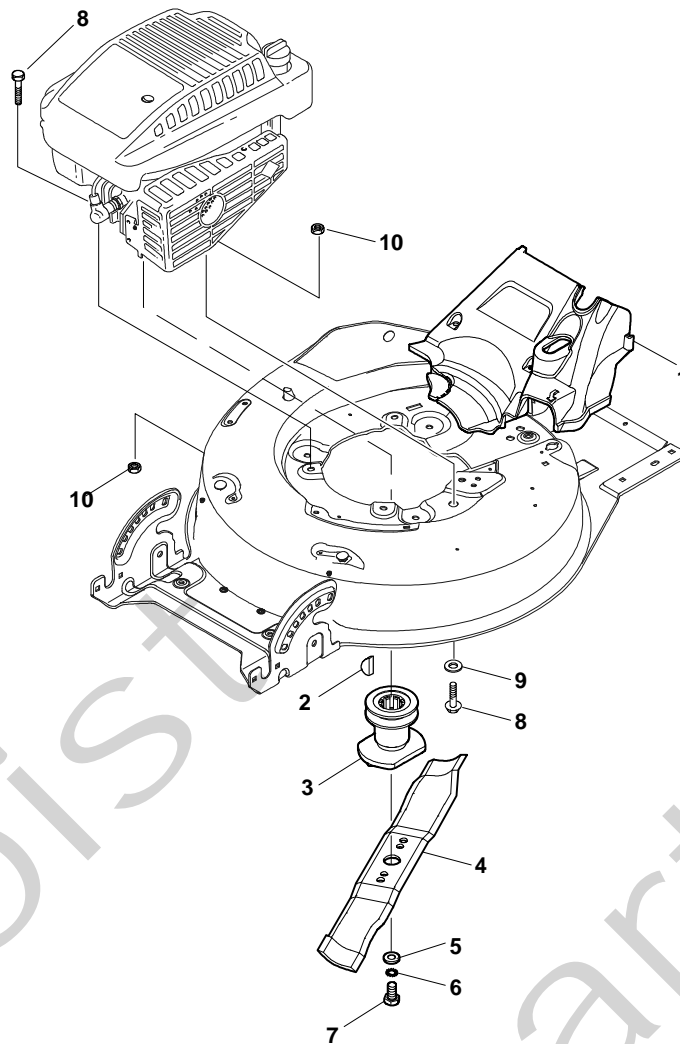




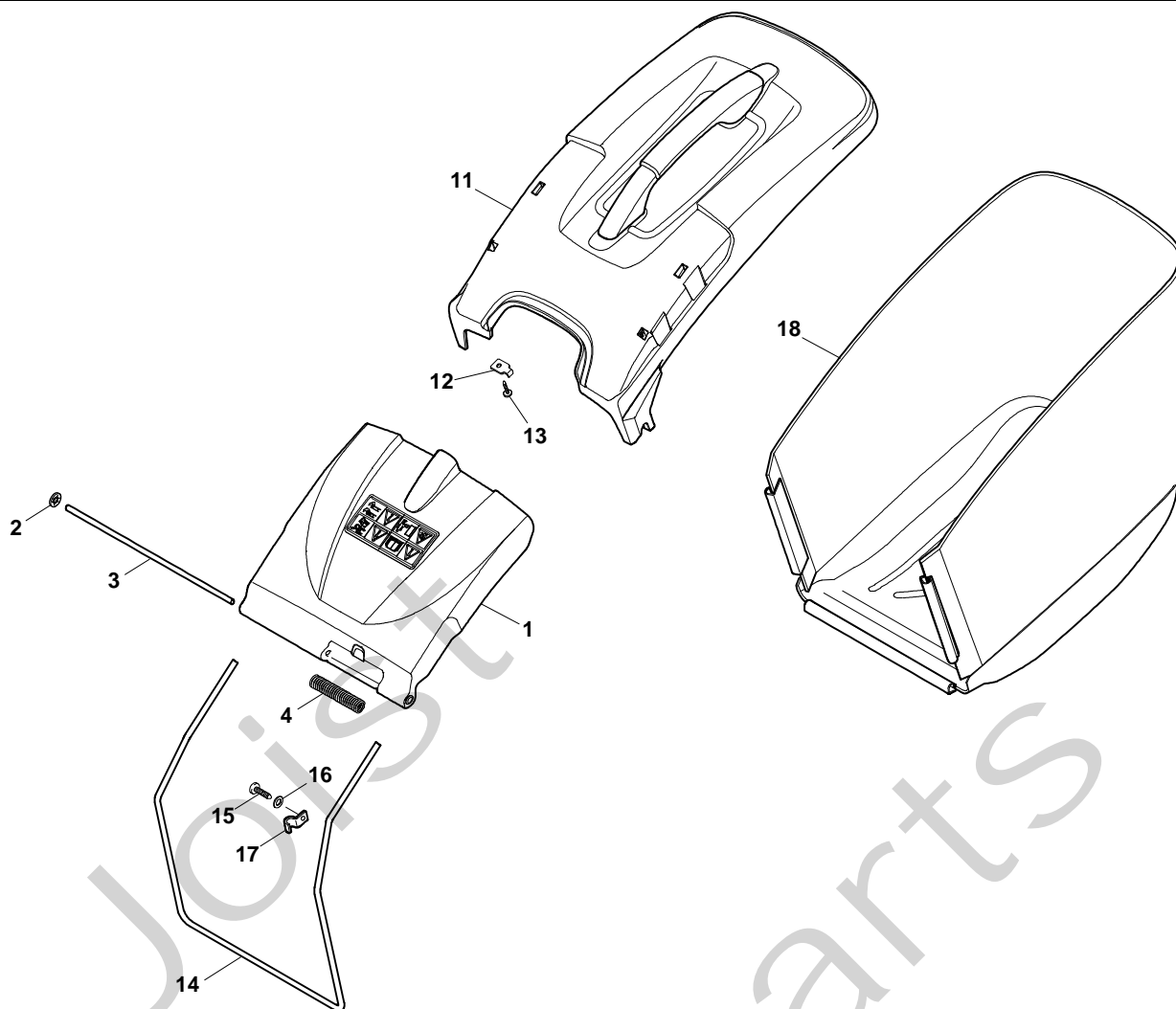


## TURBO EXCEL 55 4S - Model Year 2010

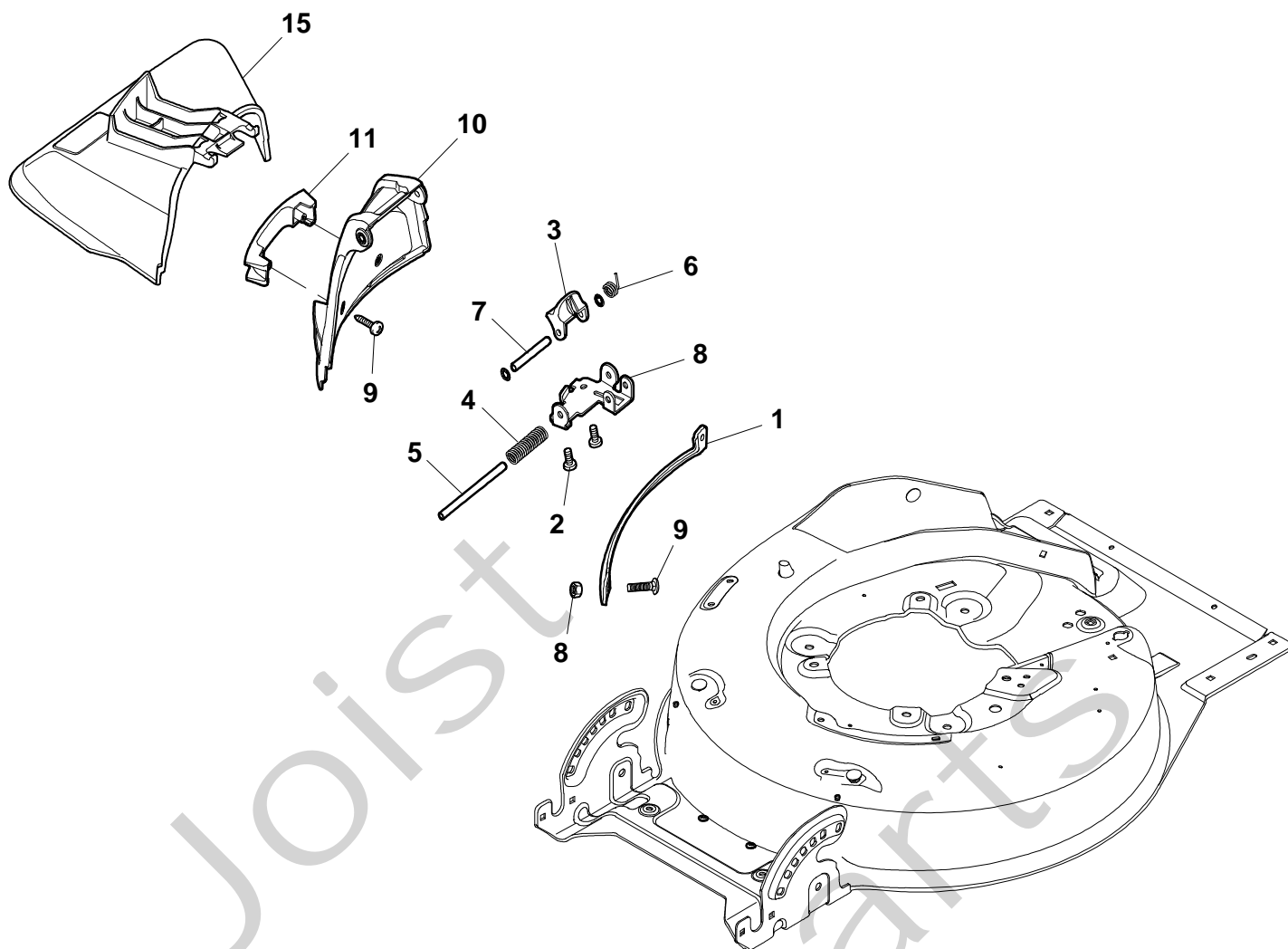
Pos. Fig.	Antal Quantity	Art No Part No	Benämning	Description	Anmärkning Notes
1	1	122570132/0	Drev	Pinion R	
2	4	12608600/0	Låsring	Snap Ring	
3	2	19216035/0	Lager	Bearing	
4	1	122570131/0	Drev	Pinion L	
5	2	22753000/0	Stift	Pin	
11	1	181003107/0		Gear Box	
12	1	122601925/0	Remskiva	Pulley	
13	1	12645700/0	Stift	Pin	
14	1	122033298/0		Adjustment Rod	
16	2	22753000/0	Stift	Pin	
17	2	22675113/0	Bricka	Washer	
20	1	12154510/0	Mutter	Nut	
21	1	12674550/0	Skruv	Screw	
22	1	12523050/0	Bricka	Washer	
23	1	135064386/0		Belt	
24	1	22601914/0	Spännrulle	Pulley	
25	1	322322835/0	Arm	Lever	
26	1	12154510/0	Mutter	Nut	
27	1	12815205/0	Skruv	Screw	
28	1	322806637/1		Support	
29	1	12154510/0	Mutter	Nut	
30	1	12815240/0	Skruv	Screw	
31	1	22671653/0	Bricka	Washer	
32	1	22601915/0	Spännrulle	Pulley	
33	1	22671656/0	Distans	Washer	
34	1	12154510/0	Mutter	Nut	
35	1	381007189/0	Variatorreglage	Cable, Speed Drive Control	
36	1	322399820/0		Knob	
37	2	12728300/0	Skruv	Screw	
38	2	112728536/0		Screw	



Pos. Fig.	Antal Quantity	Art No Part No	Benämning	Description	Anmärkning Notes
1	1	322060234/0		Protection	
2	1	12139100/0	Kil	Key	
3	1	122465607/3		Hub With Pulley, Crankshaft Ø 22.2	
4	1	181004453/0		Blade Standard	
5	1	22160400/0	Bricka	Elastic Washer	
6	1	12523080/0	Bricka	Washer	
7	1	12735698/0	Skruv	Screw	
8	3	12691100/0	Skruv	Screw	(B&S 625-750 Series)
8	2	12691100/0	Skruv	Screw	(B&S 675 Series)
8	3	12691115/0	Skruv	Screw	(GGP Engine 140-160-196 cc)
8	1	12691800/0	Skruv	Screw	(B&S 675 Series)
9	1	12521350/0	Bricka	Washer	
10	3	12154210/0	Mutter	Nut	



Pos. Fig.	Antal Quantity	Art No Part No	Benämning	Description	Anmärkning Notes
1	1	322600180/2	Stone-Guard	Stone-Guard	
2	2	12604899/0	Låsbricka	Crown Fastener	
3	1	122517863/0	Sprint	Pin	
4	1	122450455/1		Spring	
11	1	381486006/1		Grass-Box, Upper	
12	2	322545159/0	Plåt	Plate	
13	2	12728689/0	Skruv	Screw	
14	1	122608542/0	Trådbygel	Stiffening Lower	
15	2	12728689/0	Skruv	Screw	
16	2	12521320/0	Bricka	Washer	
17	2	325774220/0	Plåt	Plate	
18	1	181002302/2	Stiga	Box, Fabric	



Pos. Fig.	Antal Quantity	Art No Part No	Benämning	Description	Anmärkning Notes
1	2	112727803/0	Skruv	Screw	
2	1	322806635/1		Fulcrum Pin	
3	1	322783010/1		Button	
4	1	122450456/0	Fjäder	Spring	
5	1	122517864/0	Sprint	Pin	
6	1	122450457/0		Spring	
7	1	122517866/0	Sprint	Pin	
9	2	112728706/0	Skruv	Screw	
10	1	322600200/0		Ejection Guard	
11	1	322393633/0	Handtag	Handle	
15	1	322108289/0	Ejection Guard	Ejection Guard	