

Genuine Spare Parts

www.stiga.com

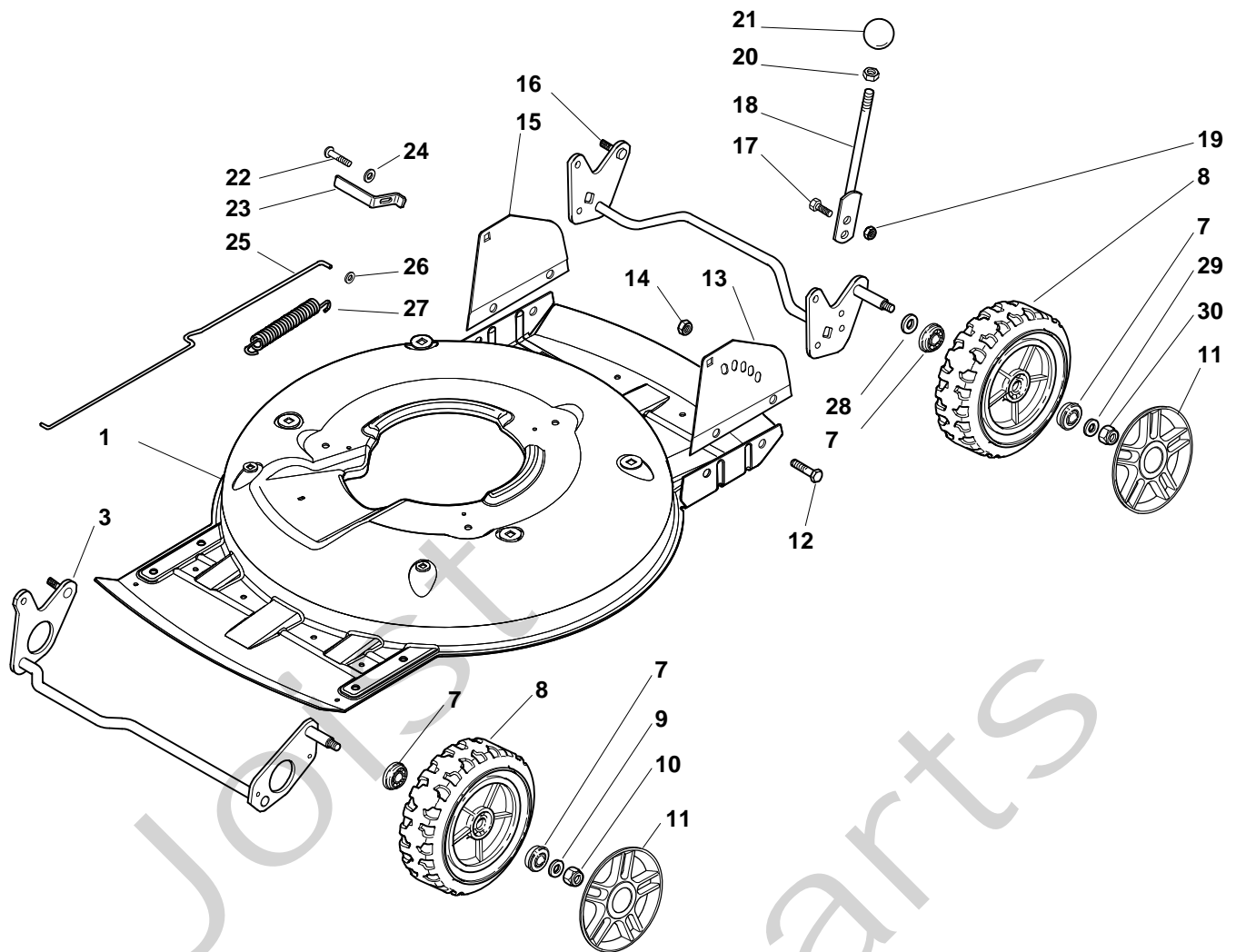
MULTICLIP 50 S SILENT PLUS Model Year 2010

- Use GLOBAL GARDEN PRODUCT Genuine Spare Parts specified in the parts list for repair and/or replacement.
- The contents described in the parts list may change due to improvement.
- The drawings of the spare parts are only indicative and might not represent the part in question exactly.
- The indications "right" - "left" - "front" - "rear" refer to the position of the operator when using the machine.
- When placing orders of parts for repair and/or replacement, make sure that the illustrated parts list is the one applying to the machine's year of manufacture, as shown on the identification plate attached to the machine.

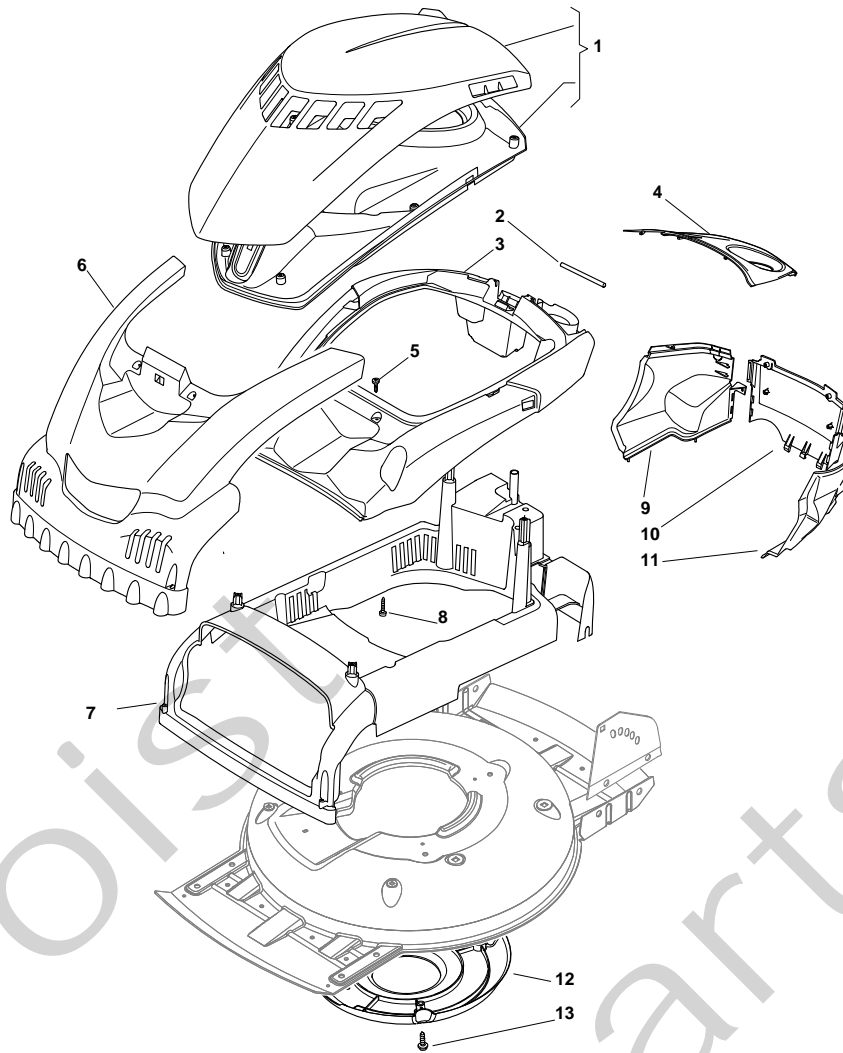
COPYRIGHT by GLOBAL GARDEN PRODUCTS

All rights reserved. No part of this material may be reproduced or transmitted, in any form or by any means, electronic or mechanical, including photocopying, recording or by any information storage and retrieval system, without permission in writing from GLOBAL GARDEN PRODUCTS.

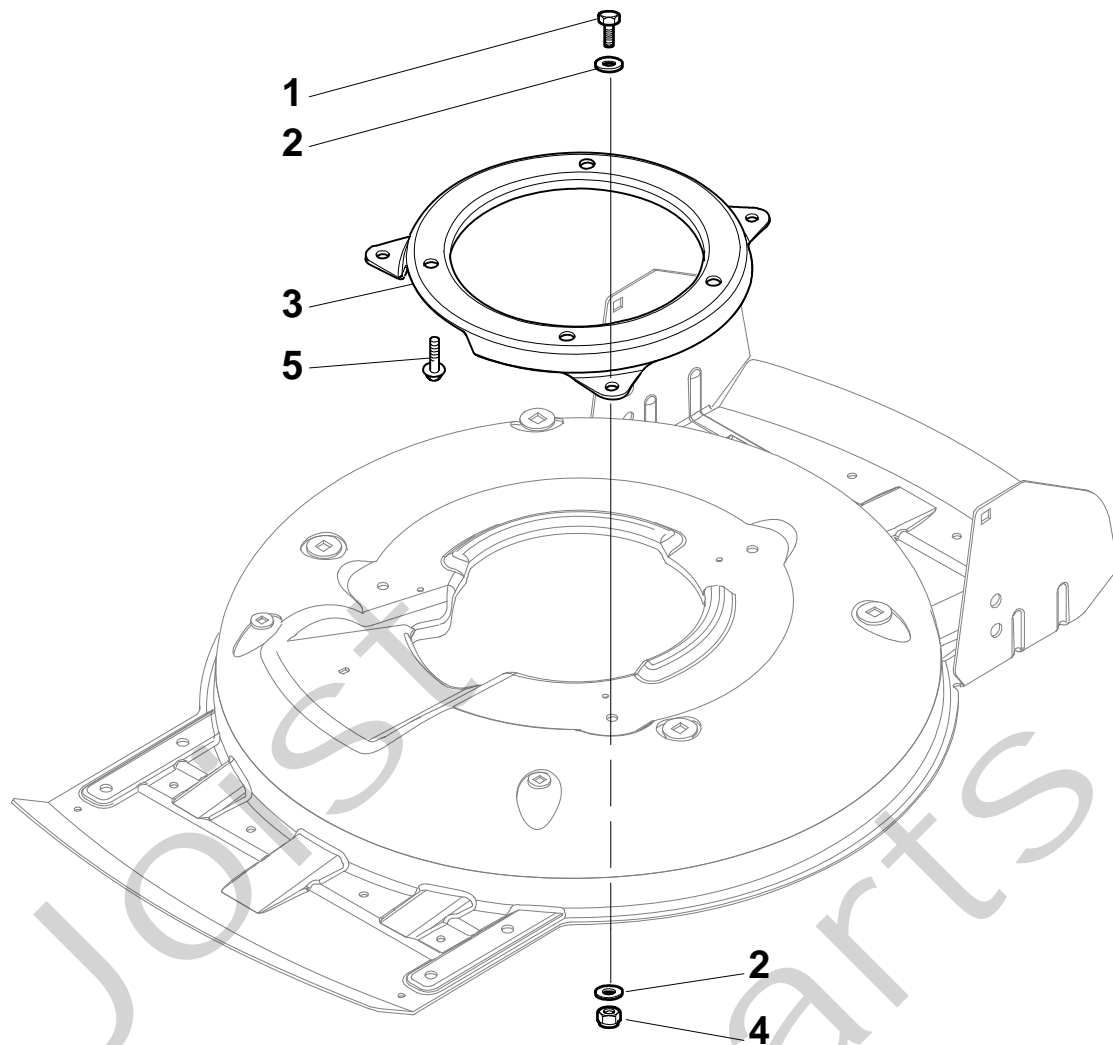
STIGA®

MULTICLIP 50 S SILENT PLUS - Model Year 2010


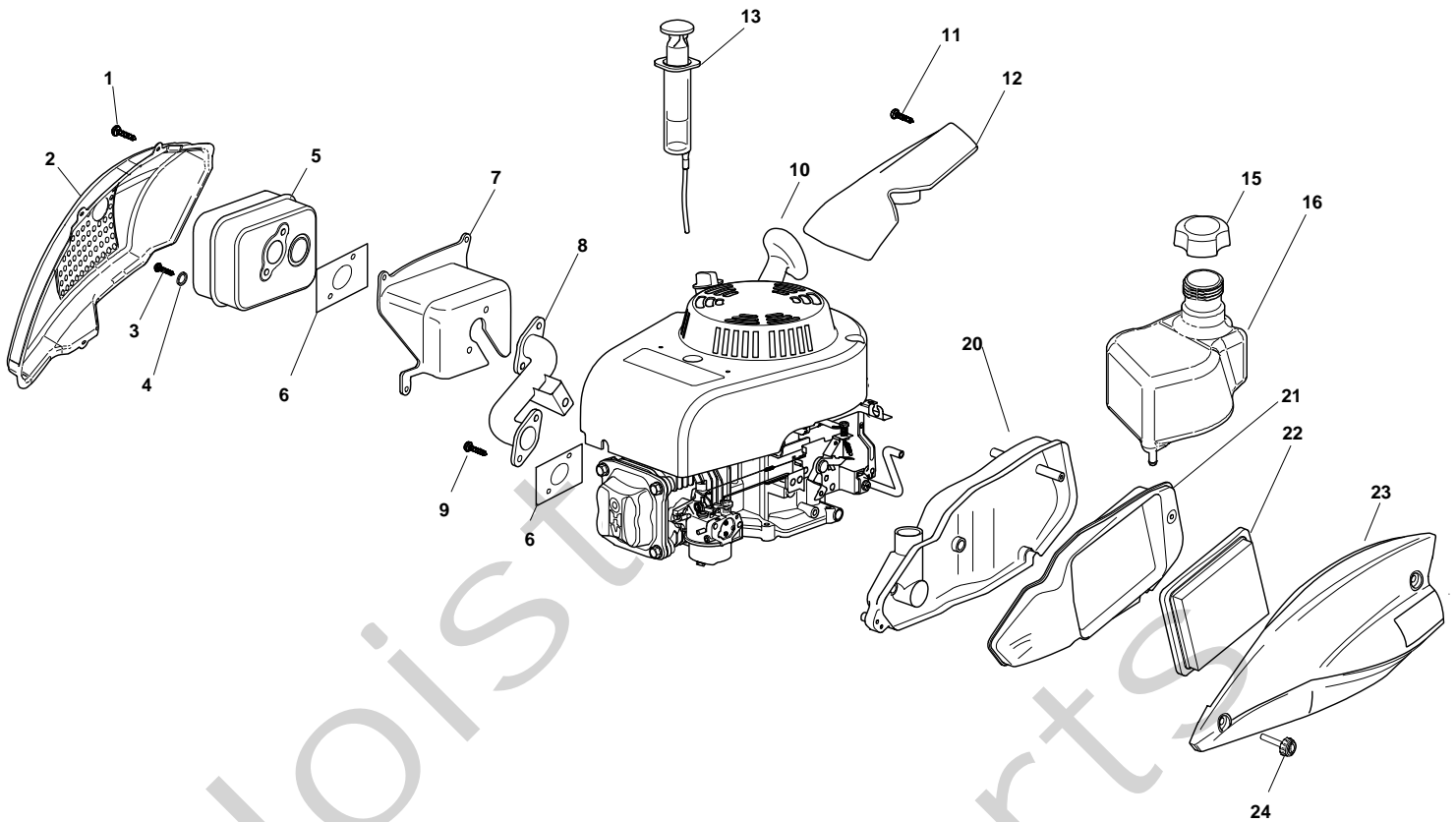
| Pos. Fig. | Antal Quantity | Art No Part No | Benämning | Description | Anmärkning Notes |
|-----------|----------------|----------------|--------------------|--------------------------------|------------------|
| 1 | 1 | 81002909/1 | Chassi | Deck Grey | |
| 3 | 1 | 81002849/0 | Hjulaxel | Axle, Front Wheels | |
| 7 | 8 | 22122200/0 | Kullager | Bearing | |
| 8 | 4 | 381007390/1 | Stödhjul | Wheel Ø 210 | |
| 9 | 2 | 12369500/0 | Bricka | Washer | |
| 10 | 2 | 12155000/0 | Mutter | Nut | |
| 11 | 4 | 22110492/0 | Navkapsel | Hub Cap, Grey D.210 | |
| 12 | 4 | 12791011/0 | Skruv | Screw | |
| 13 | 1 | 81545105/0 | Platta-vä | Left Plate | |
| 14 | 4 | 12154510/0 | Mutter | Nut | |
| 15 | 1 | 81545104/0 | Platta-hö | Right Plate | |
| 16 | 1 | 81002851/0 | Hjulaxel | Axle, Rear Wheels | |
| 17 | 2 | 12789000/0 | Skruv | Screw | |
| 18 | 1 | 81003323/0 | Höjdinställn.spak | Lever, Height Adjustment | |
| 19 | 2 | 12154330/0 | Mutter | Nut | |
| 20 | 1 | 12293200/0 | Mutter | Nut | |
| 21 | 1 | 22399812/0 | Knopp | Knob | |
| 22 | 2 | 12735661/0 | Skruv | Screw | |
| 23 | 2 | 22551529/0 | Hjulrensare | Plate | |
| 24 | 2 | 12521330/0 | Bricka | Washer | |
| 25 | 1 | 22033329/0 | Höjdinställn.stång | Rod, Height Adjustment Control | |
| 26 | 2 | 12604899/0 | Låsbricka | Crown Fastener | |
| 27 | 1 | 22446184/0 | Fjäder | Spring | |
| 28 | 2 | 12530150/0 | Bricka | Washer | |
| 29 | 2 | 12521350/0 | Bricka | Washer | |
| 30 | 2 | 12155000/0 | Mutter | Nut | |



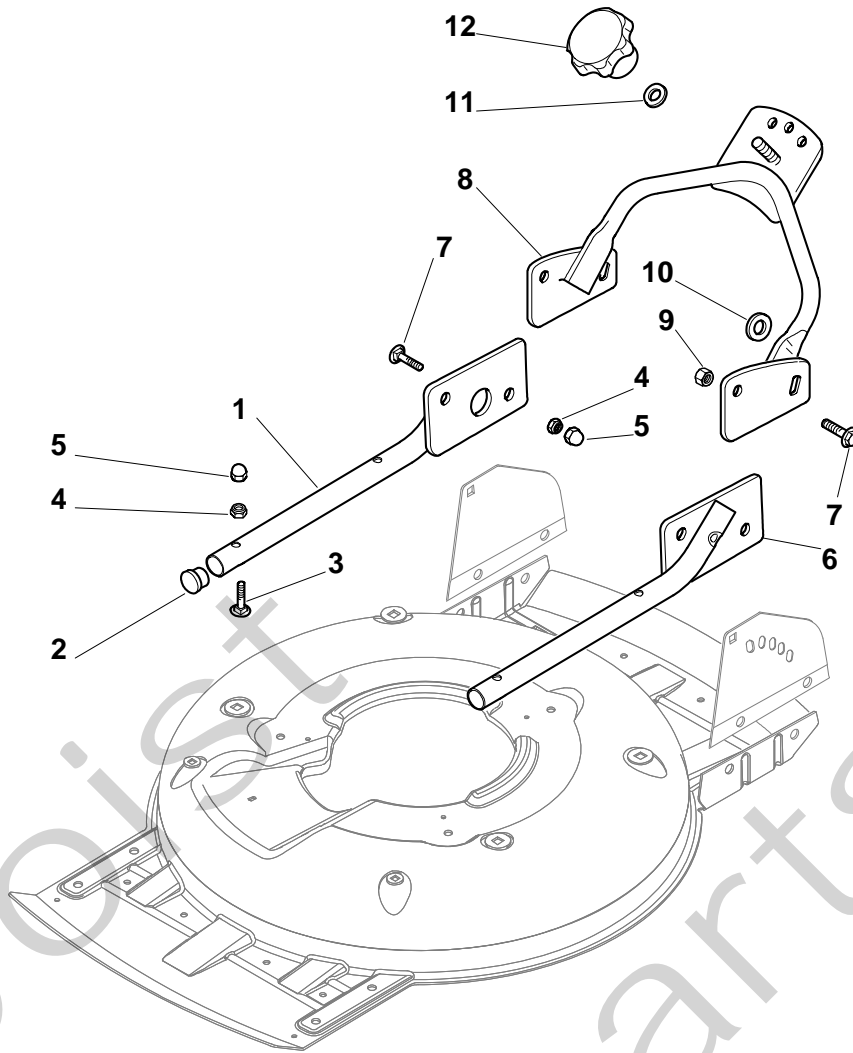
| Pos. Fig. | Antal Quantity | Art No Part No | Benämning | Description | Anmärkning Notes |
|-----------|----------------|----------------|-----------------|---------------------|------------------|
| 1 | 1 | 381119702/0 | Kåpa-övre | Cover, Upper Grey | |
| 2 | 1 | 122517861/0 | Sprint | Pin | |
| 3 | 1 | 322109801/0 | Kåpa-övre | Cover, Upper Yellow | |
| 4 | 1 | 322109745/0 | Kåpa-grå | Cover, Grey | |
| 5 | 6 | 112728706/0 | Skruv | Screw | |
| 6 | 1 | 322109804/0 | Frontkåpa-gul | Mask, Yellow | |
| 7 | 1 | 322109802/0 | Kåpa-undre | Cover, Lower Yellow | |
| 8 | 2 | 112728696/0 | Skruv | Screw | |
| 9 | 1 | 322109799/0 | Kåpa-bakre, grå | Rear Cover, Grey | |
| 10 | 1 | 322109798/0 | Kåpa-bakre, grå | Rear Cover, Grey | |
| 11 | 1 | 322109800/0 | Kåpa-bakre, grå | Rear Cover, Grey | |
| 12 | 1 | 322060227/0 | Skydd | Protection | |
| 13 | 3 | 12728530/0 | Skruv | Screw | |



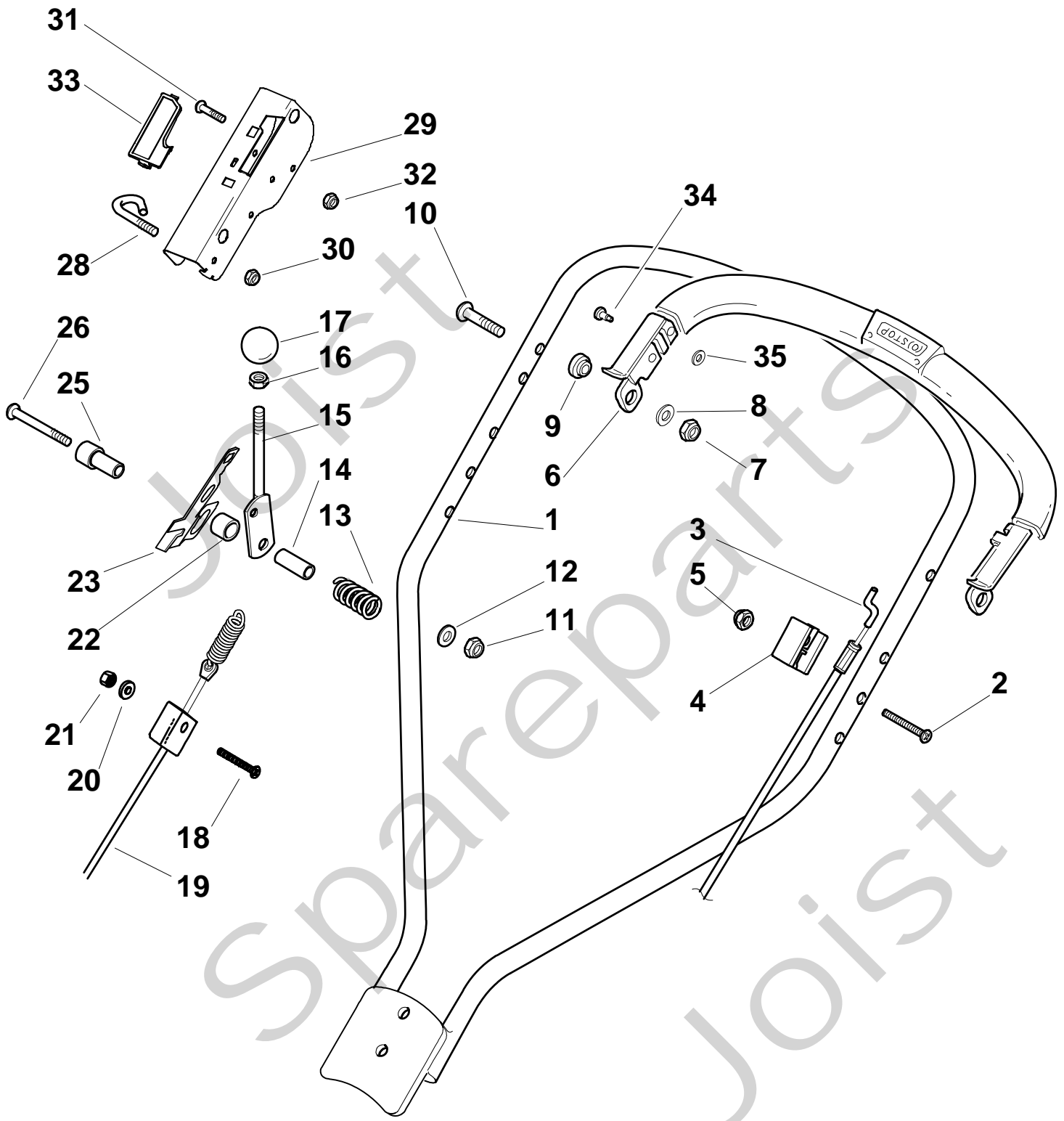
| Pos. Fig. | Antal Quantity | Art No Part No | Benämning | Description | Anmärkning Notes |
|-----------|----------------|----------------|-----------|-------------|------------------|
| 1 | 3 | 12792611/0 | Skruv | Screw | |
| 2 | 6 | 12523060/0 | Bricka | Washer | |
| 3 | 1 | 322207219/1 | Fläns | Flange | |
| 4 | 3 | 12293201/0 | Mutter | Nut | |
| 5 | 3 | 112735108/1 | Skruv | Screw | |



| Pos. Fig. | Antal Quantity | Art No Part No | Benämning | Description | Anmärkning Notes |
|-----------|----------------|----------------|-----------------|--------------------|------------------|
| 1 | 3 | 12735111/0 | Skruv | Screw | |
| 2 | 1 | 322601005/0 | Ljuddämparskydd | Muffler Protection | |
| 3 | 2 | 112689590/0 | Skruv | Screw | |
| 4 | 2 | 12582100/0 | Låsbricka | Washer | |
| 5 | 1 | 118550269/0 | Ljuddämpare | Muffler | |
| 6 | 2 | 118550270/0 | Packning | Muffler Gasket | |
| 7 | 1 | 381750101/0 | Skydd | Guard | |
| 8 | 1 | 118738233/0 | Avgasrör | Exhaust Tube | |
| 9 | 3 | 12735599/0 | Skruv | Screw | |
| 10 | 1 | 118550410/0 | Motor kpl | Engine | |
| 11 | 2 | 12728700/0 | Skruv | Screw | |
| 12 | 1 | 322785269/0 | Kåpa | Cover | |
| 13 | 1 | 18718000/0 | Oljepump | Syringe | |
| 15 | 1 | 27790000/1 | Lock | Cap | |
| 16 | 1 | 322735150/0 | Tank | Tank | |
| 20 | 1 | 322785268/0 | Lufffilterhus | Air Cleaner Base | |
| 21 | 1 | 322785267/0 | Kåpa | Cover | |
| 22 | 1 | 118550257/0 | Lufffilter | Air Filter | |
| 23 | 1 | 322109746/0 | Lufffilterlock | Air Cleaner Cover | |
| 24 | 2 | 381004362/0 | Skruv | Screw | |

MULTICLIP 50 S SILENT PLUS - Model Year 2010


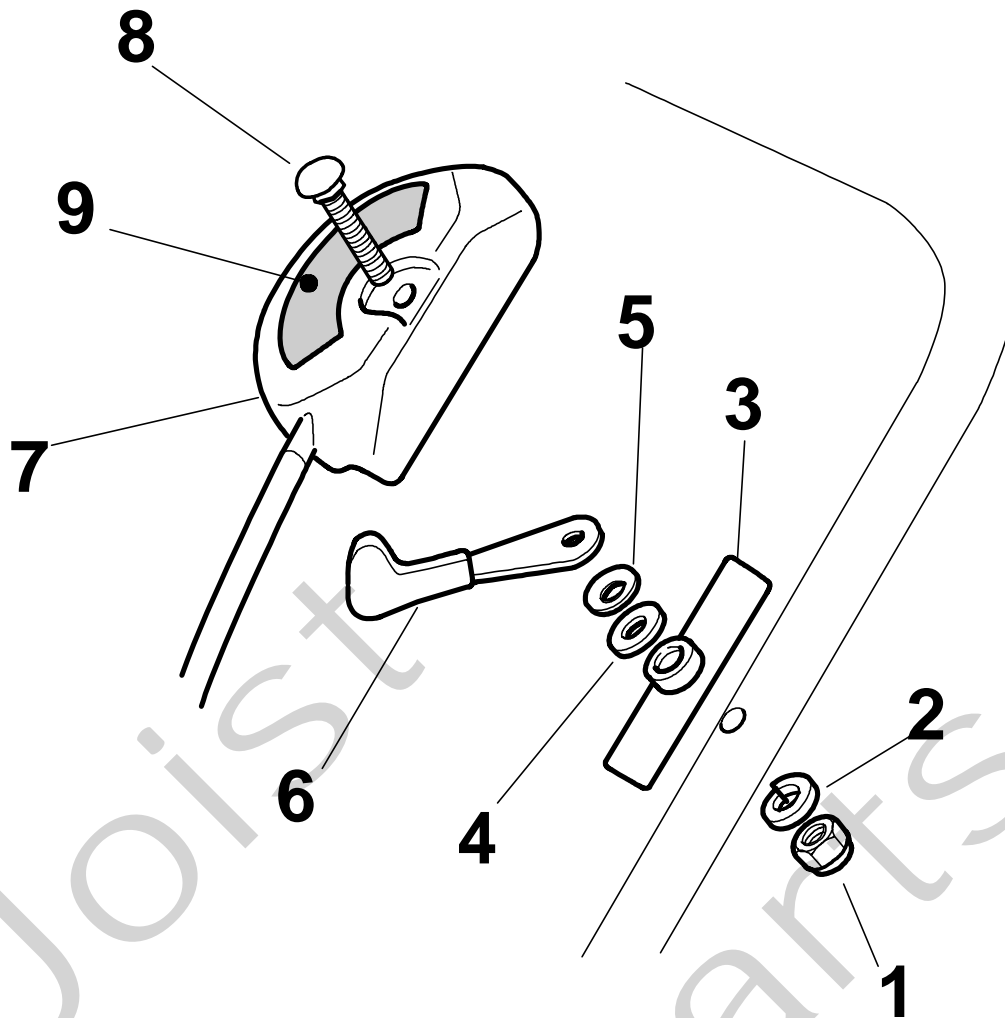
| Pos. Fig. | Antal Quantity | Art No Part No | Benämning | Description | Anmärkning Notes |
|-----------|----------------|----------------|--------------------|---------------------------|------------------|
| 1 | 1 | 381006381/0 | Styre-underdel, hö | Right Handle, Lower Part | |
| 2 | 4 | 18566114/0 | Plugg | Cap | |
| 3 | 6 | 12819100/0 | Skruv | Screw | |
| 4 | 6 | 12155000/0 | Mutter | Nut | |
| 5 | 6 | 18203854/0 | Tätningshylsa | Protection | |
| 6 | 1 | 81006375/0 | Styre-underdel, vä | Left Handle, Lower Part | |
| 7 | 4 | 12793102/0 | Skruv | Screw | |
| 8 | 1 | 81006361/0 | Styre-underdel | Handle, Lower Part Yellow | |
| 9 | 4 | 12155000/0 | Mutter | Nut | |
| 10 | 2 | 12523060/0 | Bricka | Washer | |
| 11 | 1 | 12523080/0 | Bricka | Washer | |
| 12 | 1 | 22399813/0 | Lås ratt | Knob | |



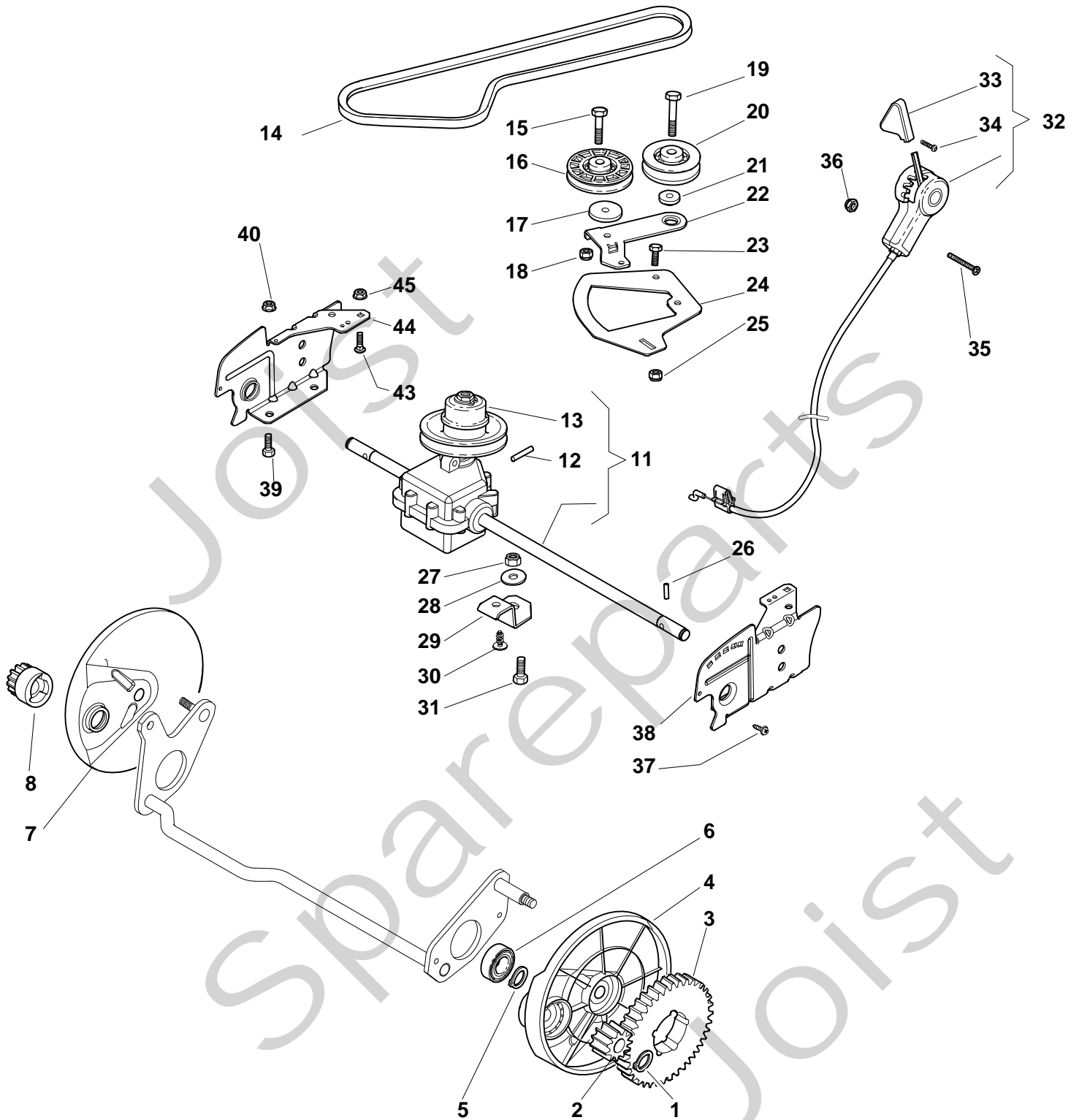


MULTICLIP 50 S SILENT PLUS - Model Year 2010

| Pos. Fig. | Antal Quantity | Art No Part No | Benämning | Description | Anmärkning Notes |
|-----------|----------------|----------------|----------------|----------------------------|------------------|
| 1 | 1 | 81006363/1 | Styre-överdel | Handle, Upper Part Yellow | |
| 2 | 1 | 12727783/0 | Skruv | Screw | |
| 3 | 1 | 81000730/0 | Motorbromswire | Cable, Thread Engine Brake | |
| 4 | 1 | 22551640/0 | Wirefäste | Plate | |
| 5 | 1 | 12154510/0 | Mutter | Nut | |
| 6 | 1 | 81003318/1 | Reglagebygel | Lever, Engine Brake | |
| 7 | 2 | 12154510/0 | Mutter | Nut | |
| 8 | 2 | 12521330/0 | Bricka | Washer | |
| 9 | 2 | 22671660/1 | Bricka | Washer | |
| 10 | 2 | 12727784/0 | Skruv | Screw | |
| 11 | 1 | 12292100/0 | Mutter | Nut | |
| 12 | 1 | 12530060/0 | Bricka | Elastic Washer | |
| 13 | 1 | 22450446/0 | Fjäder | Spring | |
| 14 | 1 | 22170840/0 | Distans | Spacer | |
| 15 | 1 | 81003313/0 | Spak | Lever, Driving | |
| 16 | 1 | 12293200/0 | Mutter | Nut | |
| 17 | 1 | 22399812/0 | Knopp | Knob | |
| 18 | 1 | 12727791/0 | Skruv | Screw | |
| 19 | 1 | 381000745/1 | Kopplingswire | Cable, Rear Drive | |
| 20 | 1 | 12521330/0 | Bricka | Washer | |
| 21 | 1 | 12154510/0 | Mutter | Nut | |
| 22 | 1 | 22170843/0 | Distans | Spacer | |
| 23 | 1 | 22551653/0 | Platta | Plate | |
| 25 | 1 | 22170842/0 | Distans | Spacer | |
| 26 | 1 | 12727786/0 | Skruv | Screw | |
| 28 | 1 | 22430314/0 | Öglebult | Spring | |
| 29 | 1 | 81004405/0 | Panel | Dash Board | |
| 30 | 1 | 12154510/0 | Mutter | Nut | |
| 31 | 1 | 12727792/0 | Skruv | Screw | |
| 32 | 1 | 12154510/0 | Mutter | Nut | |
| 33 | 1 | 22500050/0 | Glidblock | Shoe | |
| 34 | 1 | 22524342/0 | Sprint | Pin | |
| 35 | 1 | 12604897/0 | Låsring | Washer | |



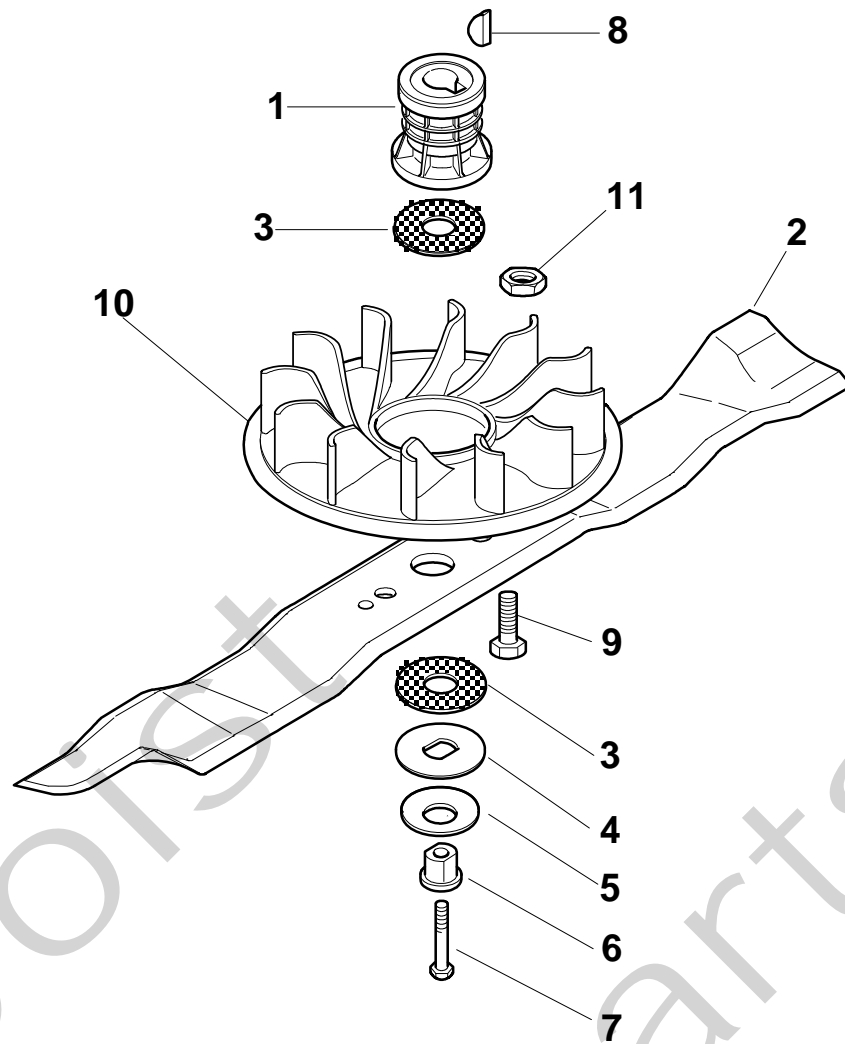
| Pos. Fig. | Antal Quantity | Art No Part No | Benämning | Description | Anmärkning Notes |
|-----------|----------------|----------------|-----------|-----------------|------------------|
| 1 | 1 | 12291000/0 | Mutter | Nut | |
| 2 | 1 | 12581500/0 | Låsbricka | Grower | |
| 3 | 1 | 22171006/0 | Distans | Spacer | |
| 4 | 1 | 12521360/0 | Bricka | Washer | |
| 5 | 1 | 12508100/0 | Låsbricka | Washer | |
| 6 | 1 | 81007279/1 | Gasarm | Lever, Throttle | |
| 7 | 1 | 81007103/0 | Gaswire | Cable, Throttle | |
| 8 | 1 | 12815030/0 | Skruv | Screw | |
| 9 | 1 | 14356702/0 | Dekal | Label | |





MULTICLIP 50 S SILENT PLUS - Model Year 2010

| Pos. Fig. | Antal Quantity | Art No Part No | Benämning | Description | Anmärkning Notes |
|-----------|----------------|----------------|-----------------|----------------------------|------------------|
| 1 | 2 | 12608600/0 | Låsring | Snap Ring | |
| 2 | 1 | 22570120/1 | Drev | Pinion L | |
| 3 | 2 | 22120105/1 | Ringdrev | Ring Gear | |
| 4 | 1 | 22600092/0 | Hjulskydd | Protection, R Wheel | |
| 5 | 2 | 12608600/0 | Låsring | Snap Ring | |
| 6 | 2 | 19216035/0 | Lager | Bearing | |
| 7 | 1 | 22600093/0 | Hjulskydd | Protection, L Wheel | |
| 8 | 1 | 22570110/1 | Drev | Pinion R | |
| 11 | 1 | 181003098/1 | Transmission | Gear Box | |
| 12 | 1 | 12645700/0 | Stift | Pin | |
| 13 | 1 | 122601925/0 | Remskiva | Pulley | |
| 14 | 1 | 35064010/0 | Drivrem | Belt | |
| 15 | 1 | 12674701/0 | Skruv | Screw | |
| 16 | 1 | 22601914/0 | Spännrulle | Pulley | |
| 17 | 1 | 22680009/0 | Bricka | Washer | |
| 18 | 1 | 12154510/0 | Mutter | Nut | |
| 19 | 1 | 12689500/0 | Skruv | Screw | |
| 20 | 1 | 22601915/0 | Spännrulle | Pulley | |
| 21 | 1 | 12793102/0 | Skruv | Screw | |
| 21 | 1 | 22671656/0 | Distans | Washer | |
| 22 | 1 | 22320007/0 | Spännarm | Lever | |
| 23 | 1 | 12791011/0 | Skruv | Screw | |
| 24 | 1 | 22806629/0 | Fäste | Support | |
| 25 | 2 | 12154510/0 | Mutter | Nut | |
| 26 | 2 | 22753000/0 | Stift | Pin | |
| 27 | 1 | 12155000/0 | Mutter | Nut | |
| 28 | 1 | 12523060/0 | Bricka | Washer | |
| 29 | 1 | 22551655/0 | Fäste | Support | |
| 30 | 1 | 12728704/0 | Skruv | Screw | |
| 31 | 1 | 12793102/0 | Skruv | Screw | |
| 32 | 1 | 81007112/0 | Variatorreglage | Cable, Speed Drive Control | |
| 33 | 1 | 22399809/0 | Knopp | Knob | |
| 34 | 1 | 12728300/0 | Skruv | Screw | |
| 35 | 2 | 12727787/0 | Skruv | Screw | |
| 36 | 2 | 12154510/0 | Mutter | Nut | |
| 37 | 2 | 12728450/0 | Skruv | Screw | |
| 38 | 1 | 22778421/0 | Fäste-vä | Bracket, L | |
| 39 | 3 | 12792611/0 | Skruv | Screw | |
| 40 | 3 | 12293201/0 | Mutter | Nut | |
| 43 | 2 | 12815200/0 | Skruv | Screw | |
| 44 | 1 | 22778419/0 | Fäste-hö | Bracket, R | |
| 45 | 2 | 12292102/0 | Mutter | Nut | |



| Pos. Fig. | Antal Quantity | Art No Part No | Benämning | Description | Anmärkning Notes |
|-----------|----------------|----------------|-----------------|---------------|------------------|
| 1 | 1 | 22465611/0 | Nav | Hub | |
| 2 | 1 | 181004148/0 | Kniv | Blade | |
| 3 | 2 | 22672110/1 | Friktionsbricka | Clutch Washer | |
| 4 | 1 | 22672105/0 | Bricka | Washer | |
| 5 | 1 | 12508120/0 | Tallr ksbricka | Cupped Spring | |
| 6 | 1 | 22041940/0 | Bussning | Clutch Bush | |
| 7 | 1 | 12736850/0 | Skruv | Screw | |
| 8 | 1 | 12139100/0 | Kil | Key | |
| 9 | 2 | 12791400/0 | Skruv | Screw | |
| 10 | 1 | 322465635/0 | Fläkt | Hub Fan | |
| 11 | 2 | 12154510/0 | Mutter | Nut | |