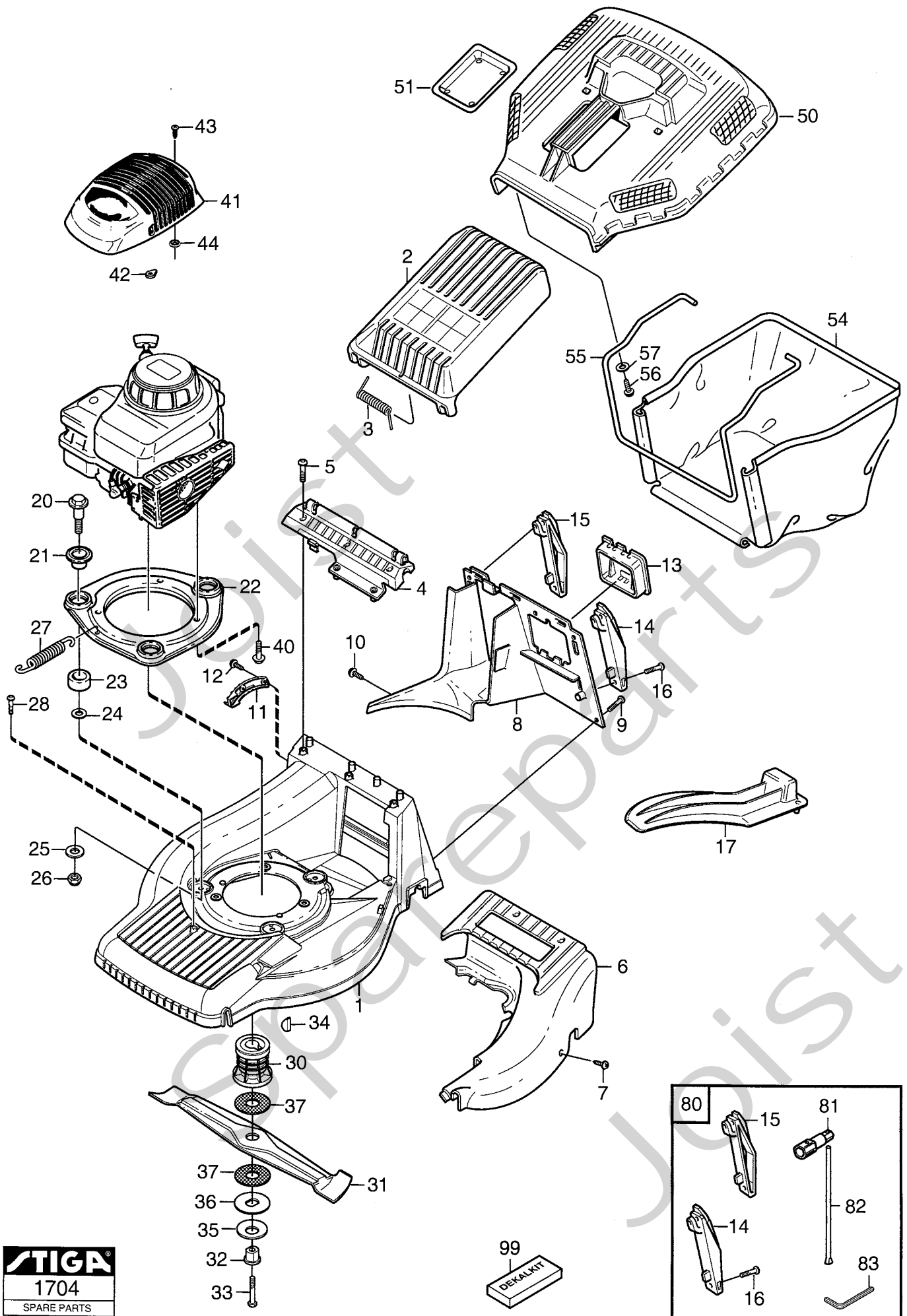


Genuine Spare Parts

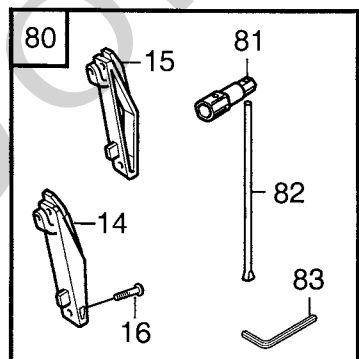


Spareparts
Joist

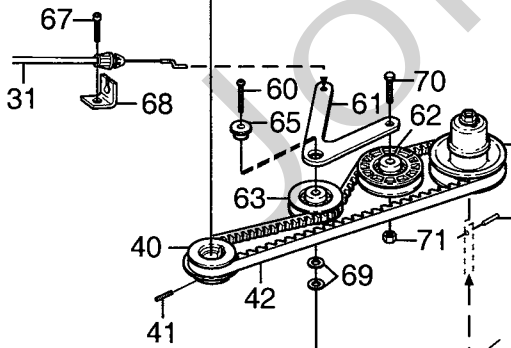
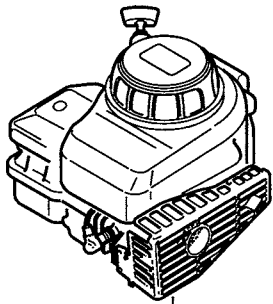
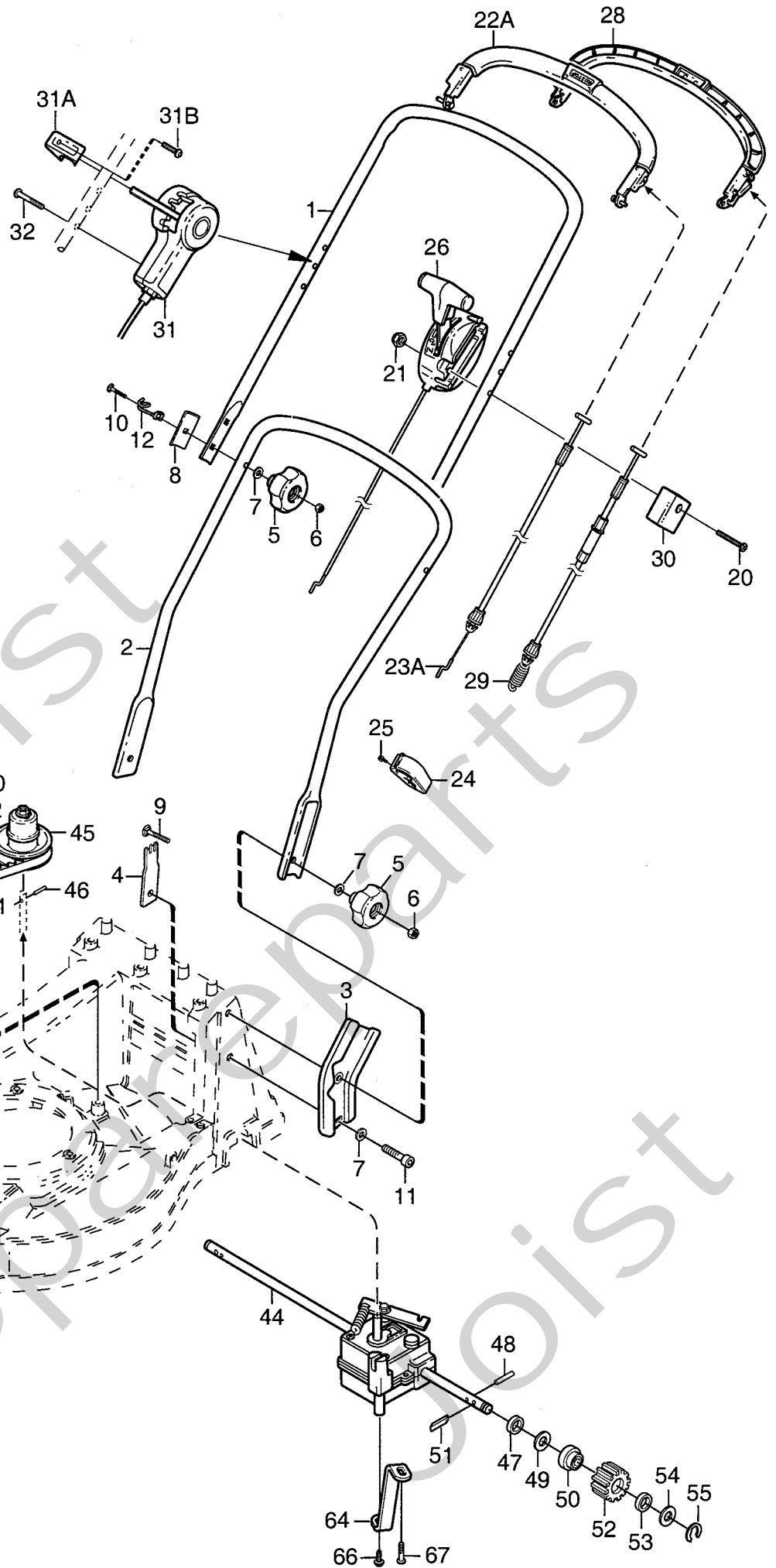
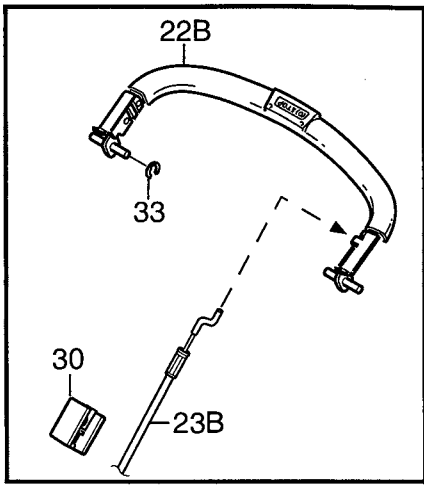


STIGA
1704
SPARE PARTS

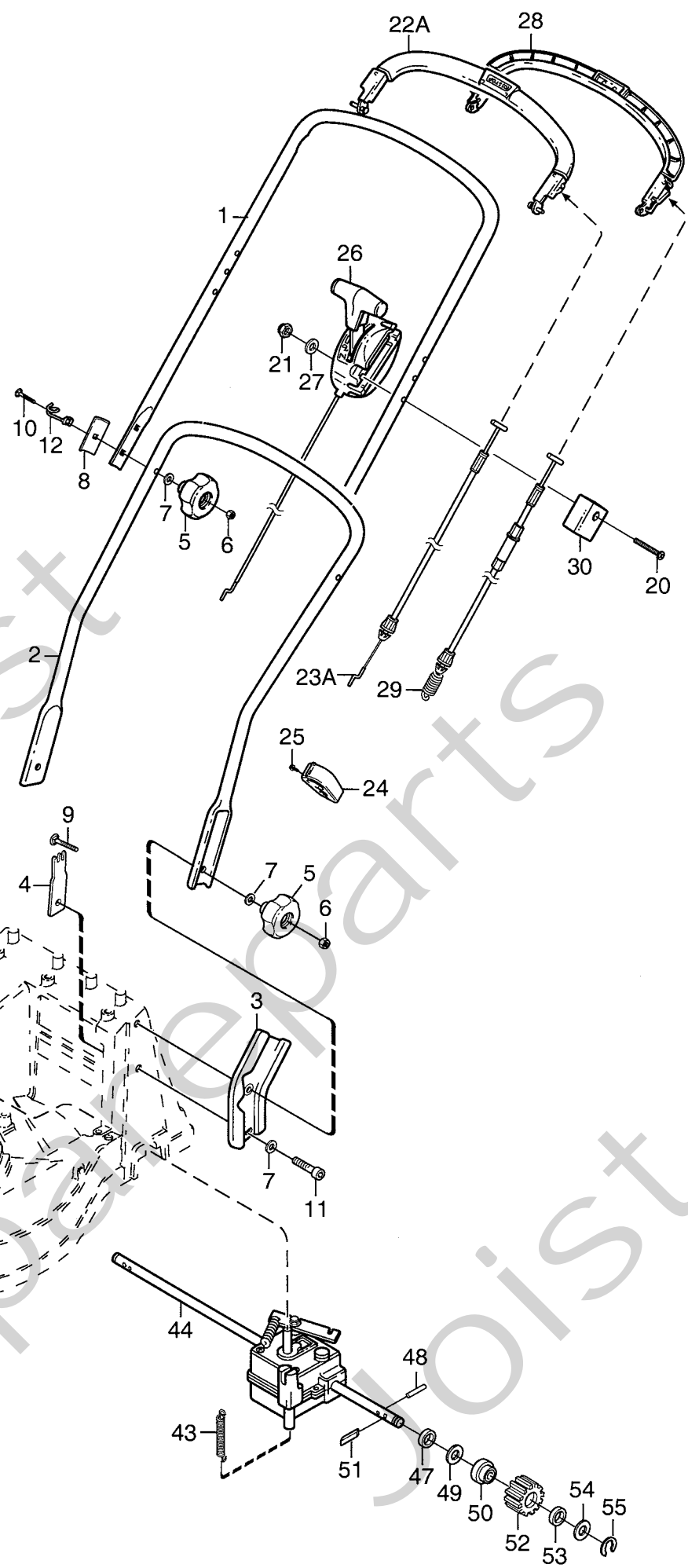
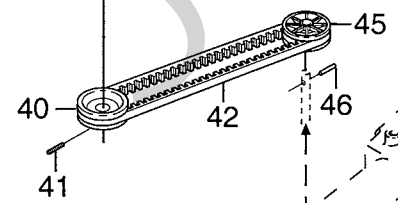
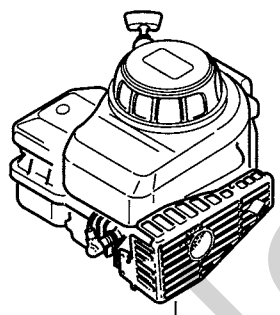
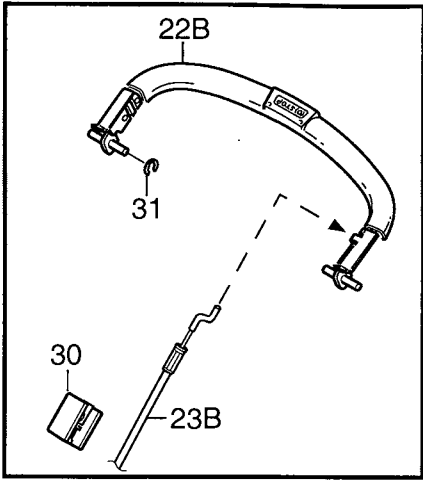
99
DEKALKIT



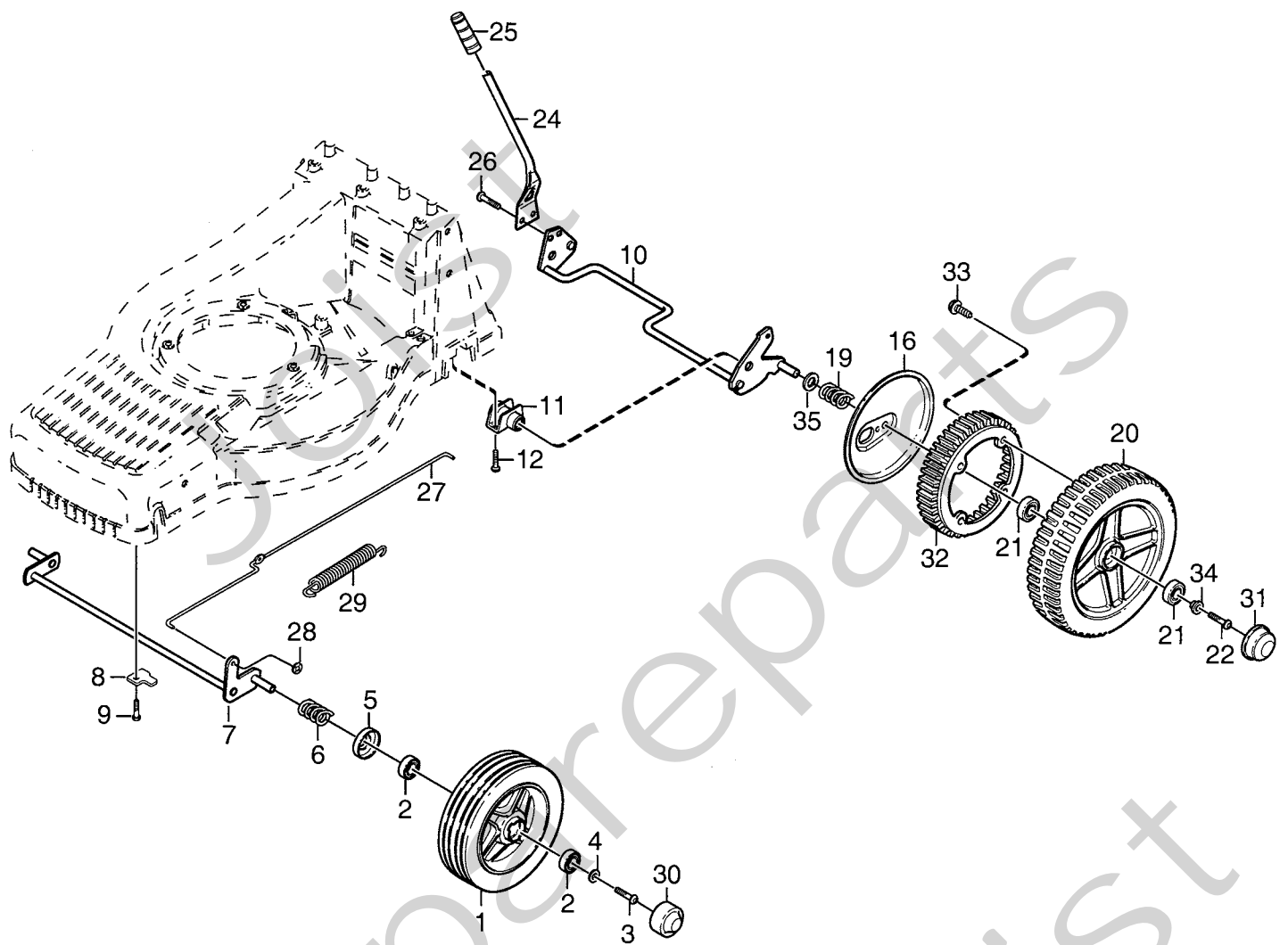
Utgåva Issue		Bildnr Picture No		TURBO PRO 55S CHASSI		TURBO PRO 55S CHASSIS		Sida Page	
2004-12		1704						196	
Pos. Fig.	Antal/Quantity			Art nr Part No	Benämning	Description	Sats Kit	Anmärkning Notes	
	9296 -49	9404 -49							
X	1	1	1	1111-3598-12	Chassi-grå.....	Chassis- grey			
	2	1	1	1111-3283-01	Lucka-gul.....	Flap- yellow			
	3	1	1	1111-2792-01	Fjäder.....	Spring			
	4	1	1	1111-2793-01	Luckinfästning-gul.....	Flap attachm.- yellow			
	5	3	3	9947-0616-16	Skruv.....	Screw			
X	6	1	1	1111-3597-01	Täckkåpa-gul.....	Cover-yellow			
	7	3	3	9838-9522-12	Skruv.....	Screw			
	8	1	1	1111-3335-01	Bakstam.....	Rear attachment.....			
	9	3	3	9947-0616-16	Skruv.....	Screw			
	10	1	1	9838-9522-12	Skruv.....	Screw			
	11	1	1	1111-2798-01	Höjdist. segment.....	Height adj. quadrant.....			
	12	2	2	9838-9522-12	Skruv.....	Screw			
	13	1	1	1111-2927-01	Batterihållare.....	Battery holder			
	14	1	1	1111-3236-01	• Hållare-vä.....	• Attachment- LH			
	15	1	1	1111-3237-01	• Hållare-hö.....	• Attachment- RH.....			
	16	4	4	9836-9520-12	• Skruv.....	• Screw			
	17	1	1	1111-3333-02	Mulcherplugg.....	Mulch plug.....			
	20	3	3	1111-2454-01	Ansatsbult.....	Shoulder bolt.....			
	21	3	3	1111-2453-01	Isolering.....	Grommet.....			
X	22	1	1	1111-3594-01	Motorplatta-gul.....	Engine plate- yellow.....			
	23	3	3	1111-2452-01	Dämpelement.....	Rubber damper.....			
	24	3	3	9699-0062-02	Planbricka.....	Flat washer.....		8.4 x 22 x 1.5 mm	
	25	3	3	9699-0056-02	Planbricka.....	Flat washer.....		8.4 x 24 x 2.0 mm	
	26	3	3	9739-0831-22	Mutter.....	Nut.....			
X	27	1	1	1111-3641-01	Fjäder.....	Spring.....			
	28	1	1	9943-0610-16	Skruv.....	Screw.....			
X	30	1	1	1111-9127-01	Knivfäste.....	Blade holder.....			
X	31	1	1	1111-9130-01	Kniv.....	Blade.....			
	32	1	1	1111-3483-01	Bussning.....	Bushing.....			
	33	1	1	9987-5264-12	Skruv.....	Screw.....			
	34	1	1	9600-0014-00	Kil.....	Key.....			
	35	1	1	1111-3482-01	Tallriksfjäder.....	Disc washer.....			
	36	1	1	1111-3481-01	Bricka.....	Washer.....			
	37	2	2	1111-3512-01	Friktionsbricka.....	Friction washer.....			
	40	3	3	9955-3732-12	Skruv.....	Screw.....			
X	41	1	1	1111-3601-01	Motorkåpa-svart.....	Engine cover- black.....			
X	42	2	2	1111-3624-01	Gummiring.....	Rubber ring.....			
X	43	3	3	1111-3625-01	Skruv.....	Screw.....			
X	44	3	3	1111-3629-01	Bricka.....	Washer.....			
	50	1	1	1111-2840-01	Uppsamlarlock-gul.....	Top collector- yellow.....			
	51	1	1	1111-2764-01	Täckbricka.....	Cover.....			
	54	1	1	1111-2844-04	Uppsamlingspåse-svart.....	Collecting bag- black.....			
	55	1	1	1111-2843-01	Trådbygel.....	Wire clamp.....			
	56	2	2	9838-9522-12	Skruv.....	Screw.....			
	57	2	2	9699-0100-02	Bricka.....	Washer.....			
	80	1	1	1111-3569-01	Tillbehörspåse.....	Accessory bag.....		Inkl. pos 14-16,81-83	
	81	1	1	1111-2921-01	• Tändstiftsnyckel.....	• Spark plug wrench.....			
	82	1	1	1111-2113-01	• Vridpinne.....	• Rod.....			
	83	1	1	9900-0060-00	• Insexnyckel.....	• Allen wrench.....			
	99	1	1	1111-3588-03	Dekalsats.....	Label kit.....		STIGA	



Utgåva Issue		Bildnr Picture No			TURBO PRO 55S- 55SE HERKULES MB532 STYRE TRANSMISSION 4- SPEED		TURBO PRO 55S- 55SE HERKULES MB532 HANDLE TRANSMISSION 4- SPEED		Sida Page
2004-12		1739							202
Pos. Fig.	Antal/Quantity			Art nr Part No	Benämning	Description	Sats Kit	Anmärkning Notes	
	9604 -89	9404 -49	9498 -19						
X	1	1		1111-2957-01	Styre-överdel	Handle- upper			
	1		1	1111-3461-02	Styre-överdel (gul)	Handle- upper (yellow)			
	2	1	1	1111-3022-01	Styre-underdel	Handle- lower			
X	2		1	1111-3428-02	Styre-underdel (gul)	Handle- lower (yellow)			
	3	2	2	1111-3021-01	Styrfästning	Handlebar attachment			
	4	2	2	1111-3024-01	Fästplatta	Attachment plate			
	5	4	4	1111-3023-01	Lås ratt	Locking knob			
	6	4	4	9795-3531-02	Mutter	Nut			
	7	6	6	9699-0028-02	Planbricka	Flat washer			
	8	2	2	1111-0178-00	Förstärkning	Reinforcement			
	9	2	2	9899-3545-12	Skruv	Screw		L = 45 mm	
	9		2	9899-3557-12	Skruv	Screw		L = 57 mm	
	10	2	2	9899-3557-12	Skruv	Screw		L = 57 mm	
	11	2	2	9939-0820-16	Skruv	Screw			
	12	1	1	1111-3062-01	Ögla	Eyelink			
	20		1	9948-0640-16	Skruv	Screw		L = 40 mm	
	20	1		9948-0670-16	Skruv	Screw		L = 70 mm	
	21	1	1	9747-0631-02	Låsmutter	Lock nut			
	22A	1		1111-2953-01	Manöverbygel	Control handle			
X	22B		1	1111-3617-01	Manöverbygel	Control handle			
	23A			1111-2968-02	Motorbromswire	Engine brake cable			
	23A	1		1111-2968-07	Motorbromswire	Engine brake cable			
X	23B		1	1111-3633-01	Motorbromswire	Engine brake cable			
	24	3	2	1111-2018-01	Kabelhållare	Cable holder			
	25	3	2	9836-9216-12	Skruv	Screw			
	26	1		1111-3301-03	Gasreglage	Throttle control			
	28	1	1	1111-2954-01	Manöverbygel	Control handle		Honda	
	29	1	1	1111-3388-01	Kopplingswire	Clutch cable			
	30	1	1	1111-2969-01	Wirefäste	Cable attachment			
	31	1	1	1111-2971-03	Variatorreglage	Variator control			
	31A	1	1	1111-2941-01	• Reglageknopp	• Knob			
	31B	2	2	9838-9522-12	• Skruv	• Screw			
	32	2	2	9838-9540-12	Skruv	Screw			
X	33	2	2	9652-0006-04	Spärryttare	Circlip			
	40	1	1	1111-2433-01	Motorremskiva	Engine belt pulley			
	41	1	1	9910-0612-16	Stoppskruv	Set screw			
	42	1	1	9585-0137-01	Drivrem	Drive belt			
	44	1	1	1111-3393-01	Transmission	Transmission			
	44A	1	1	1111-3446-01	• Fjäder	• Spring		Ej ill/not ill.	
	45	1	1	1111-3001-01	Variator	Variator Assy			
	46	1	1	9594-0026-00	Spännstift	Locating pin			
	47	2	2	9404-0083-00	Tätningring	Seal ring			
	48	2	2	1111-2382-01	Cyl.pinne	Pin			
	49	2	2	9695-0013-00	Bricka	Washer			
	50	2	2	1111-2829-01	Låsbricka	Lock washer			
	51	2	2	1111-3256-01	Drivkil	Drive key			
	52		2	1111-3075-01	Kugghjul- plasthjul	Pinion- plastic wheel			
	52	2	2	1111-3230-01	Kugghjul- alum. hjul	Pinion- alum. wheel			
	53	2	2	1111-2830-01	Stödbricka	Support washer			
	54	2	2	9695-0013-00	Bricka	Washer			
	55	2	2	9652-0010-04	Låsring	Snap ring			
	60	1	1	9943-0650-16	Skruv	Screw			
	61	1	1	1111-3051-01	Spännarm	Tension arm			
	62	1	1	1111-2746-01	Remskiva	Belt pulley			
	63	1	1	1111-2747-01	Spännrulle	Tension roller			
	64	1	1	1111-3050-01	Stag	Bracket			
	65	1	1	1111-2423-01	Distans	Spacer			
	66	1	1	9838-9522-12	Skruv	Screw			
	67	2	2	9947-0616-16	Skruv	Screw			
	68	1	1	1111-2469-01	Fäste	Attachment			
	69	2	2	9699-0060-02	Planbricka	Flat washer			
	70	1	1	9997-0630-12	Skruv	Screw			
	71	1	1	9747-0631-02	Låsmutter	Lock nut			

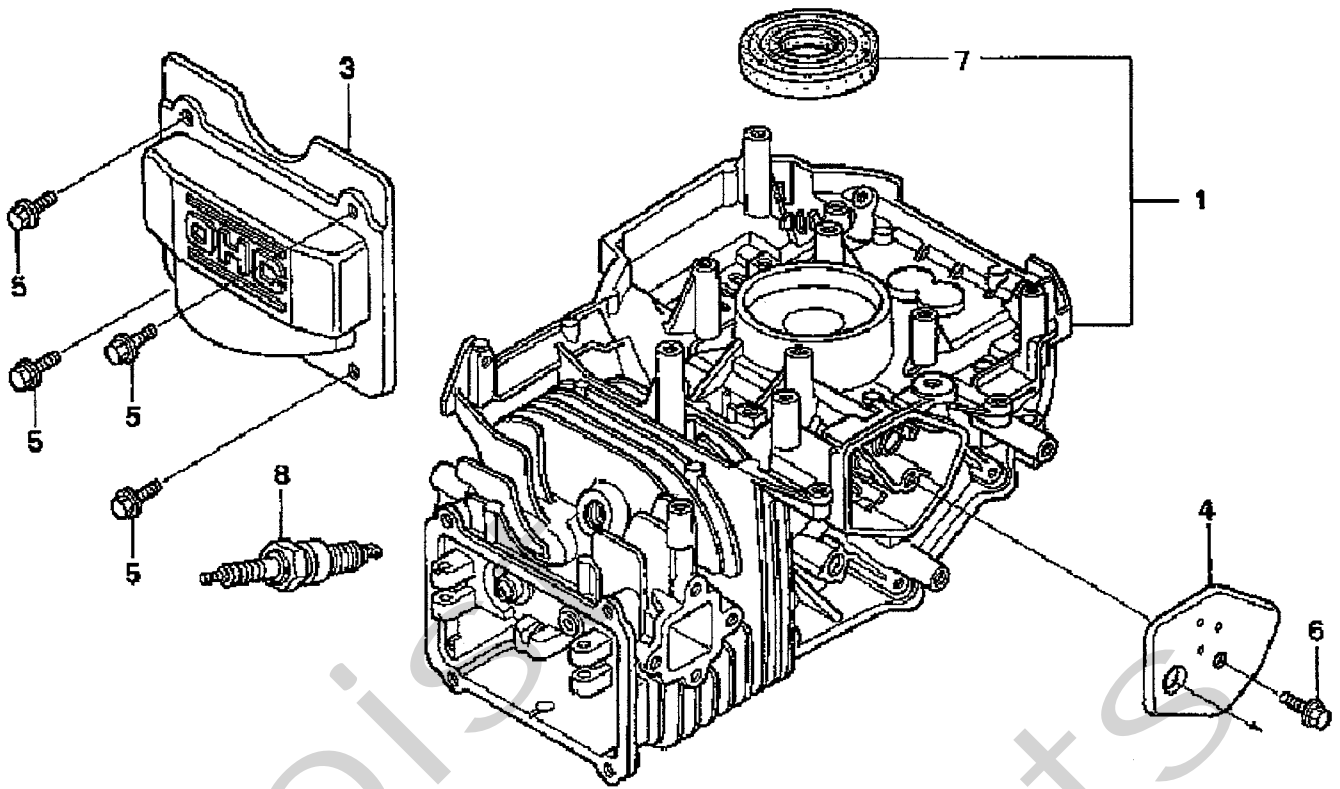


Utgåva Issue		Bildnr Picture No		TURBO 55S- 55SE HERKULES MB532 JARDIPRO JP55 STYRE		TURBO 55S- 55SE HERKULES MB532 JARDIPRO JP55 HANDLE		Sida Page	
2004- 12		1737						200	
Pos. Fig.	Antal/Quantity				Art nr Part No	Benämning	Description	Sats Kit	Anmärkning Notes
	9286 -19 9296 9298	9698	9204 9604 -69	9644 -69					
X	1	1	1	1	1111-2957-01	Styre- överdel	Handle- upper		
	1	1			1111-3461-02	Styre- överdel (gul)	Handle- upper (yellow)		12- 9296- 49
	2	1	1	1	1111-3022-01	Styre- underdel	Handle- lower		
X	2	1			1111-3428-02	Styre- underdel (gul)	Handle- lower (yellow)		12- 9296- 49
	3	2	2	2	1111-3021-01	Styrinfästning	Handlebar attachment		
	4	2	2	2	1111-3024-01	Fästplatta	Attachment plate		
	5	4	4	4	1111-3023-01	Låsratt	Locking knob		
	6	4	4	4	9795-3531-02	Mutter	Nut		
	7	6	6	6	9699-0028-02	Planbricka	Flat washer		
	8	2	2	2	1111-0178-00	Förstärkning	Reinforcement		
	9	2	2	2	9899-3545-12	Skruv	Screw		L = 45 mm
	9	2			9899-3557-12	Skruv	Screw		L = 57 mm
	10	2	2	2	9899-3557-12	Skruv	Screw		L = 57 mm
	11	2	2	2	9939-0820-16	Skruv	Screw		
	12	1	1	1	1111-3062-01	Ögla	Eyelink		
	20	1			9948-0640-16	Skruv	Screw		L = 40 mm
	20		1	1	9948-0660-16	Skruv	Screw		L = 60 mm
	20			1	9948-0670-16	Skruv	Screw		L = 70 mm
	21	1	1	1	9747-0631-02	Låsmutter	Lock nut		
X	22A	1	1	1	1111-2953-01	Manöverbygel	Control handle		
	22B	1			1111-3617-01	Manöverbygel	Control handle		12- 9296- 49
	23A	1	1		1111-2968-02	Motorbromswire	Engine brake cable		
	23A			1	1111-2968-07	Motorbromswire	Engine brake cable		
X	23A			1	1111-3556-01	Motorbromswire	Engine brake cable		
X	23B	1			1111-3633-01	Motorbromswire	Engine brake cable		12- 9296- 49
	24	2	2	2	1111-2018-01	Kabelhållare	Cable holder		
	25	2	2	2	9836-9216-12	Skruv	Screw		
	26			1	1111-3301-03	Gasreglage	Throttle control		Honda
	26		1		1111-3351-01	Gasreglage	Throttle control		B&S
	26			1	1111-3557-01	Gasreglage	Throttle control		Tecumseh
	27		1	1	9699-0060-02	Planbricka	Flat washer		
	28	1	1	1	1111-2954-01	Manöverbygel	Control handle		
	29	1	1	1	1111-3388-01	Kopplingswire	Clutch cable		
	30	1	1	1	1111-2969-01	Wirefäste	Cable attachment		
X	31	2			9652-0006-04	Spårryttare	Circlip		12- 9296- 49
	40	1	1	1	1111-2915-01	Motorremskiva	Engine belt pulley		
	41	1	1	1	9910-0612-16	Stoppskruv	Set screw		
	42	1	1	1	9585-0137-01	Drivrem	Drive belt		
	43	1	1	1	1111-2822-01	Dragfjäder	Tension spring		
	44	1	1	1	1111-3393-01	Transmission	Transmission		
	44A	1	1	1	1111-3446-01	Fjäder	Spring		Ej ill/not ill.
	45	1	1	1	1111-3440-01	Remskiva	Belt pulley		
	46	1	1	1	9595-0235-00	Spännstift	Locating pin		
	47	2	2	2	9404-0083-00	Tätningring	Seal ring		
	48	2	2	2	1111-2382-01	Cyl.pinne	Pin		
	49	2	2	2	9695-0013-00	Bricka	Washer		
	50	2	2	2	1111-2829-01	Låsbricka	Lock washer		
	51	2	2	2	1111-3256-01	Drivkil	Drive key		
	52	2	2	2	1111-3075-01	Kuggjul- plasthjul	Pinion- plastic wheel		
	52	2			1111-3230-01	Kuggjul- alum. hjul	Pinion- alum. wheel		12- 9296- 49
	53	2	2	2	1111-2830-01	Stödbricka	Support washer		
	54	2	2	2	9695-0013-00	Bricka	Washer		
	55	2	2	2	9652-0010-04	Låsring	Snap ring		

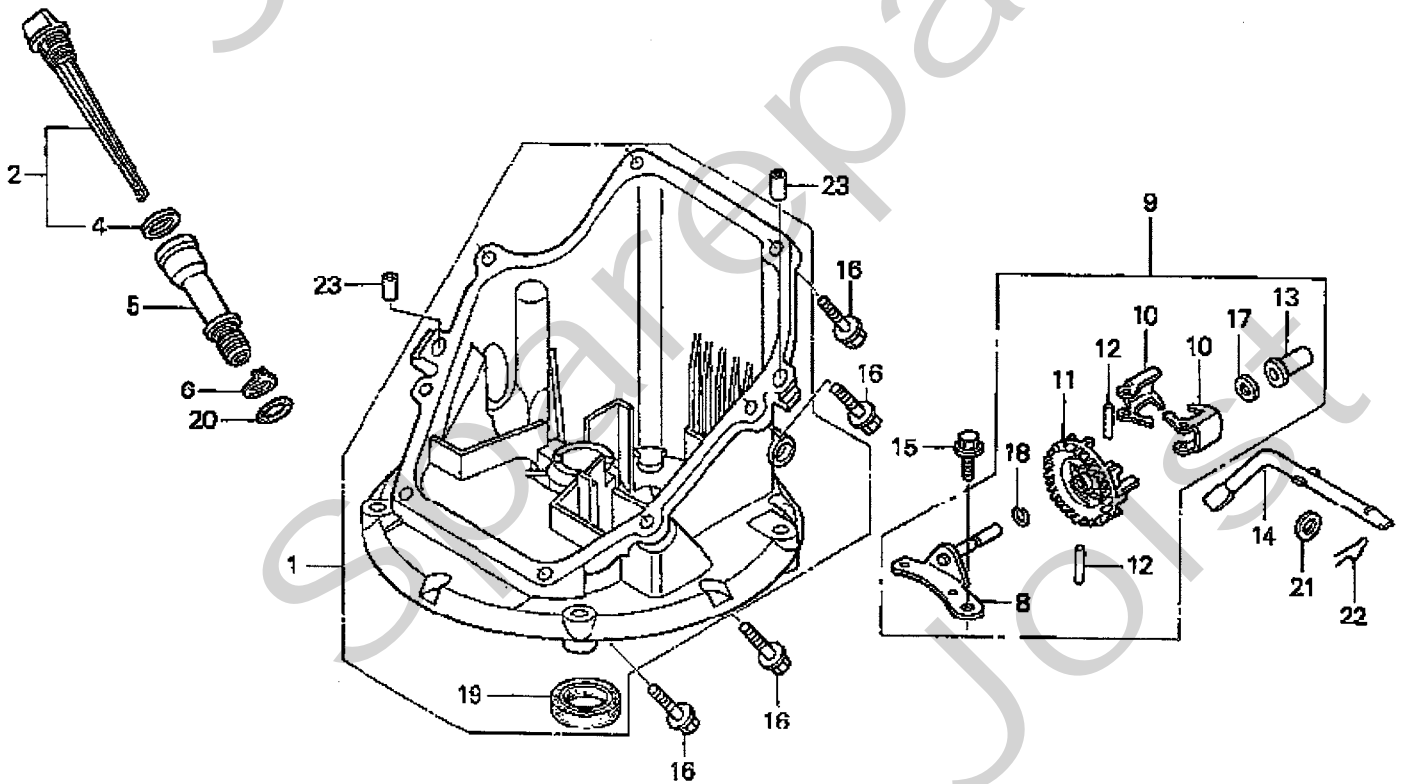


Utgåva Issue 2004-12		Bildnr Picture No 1432		TURBO PRO 55S HERKULES MB532 HJULUPPHÄNGNING		TURBO PRO 55S HERKULES MB532 WHEEL SUSPENSION		Sida Page 206
Pos. Fig.	Antal/Quantity			Art nr Part No	Benämning	Description	Sats Kit	Anmärkning Notes
	9296 9404	9604 -89						
1		2		1111-0817-03	Hjul utan lager	Wheel w/o bearing		
1	2			1111-0817-04	Hjul utan lager	Wheel w/o bearing		
2	4	4		9549-0015-00	Kullager	Ball bearing		
3	2	2		9943-0620-16	Skruv	Screw		
4	2	2		9699-0100-02	Bricka	Washer		
5	2	2		1111-0466-00	Kullagerfätning	Seal grease		
6	4	2		1111-1138-01	Fjäder	Spring		
7		1		1111-3466-02	Framaxel	Front axle		
7	1			1111-3491-02	Framaxel	Front axle		
8	2	2		1111-1504-01	Överfall	Retainer		
9	2	2		9947-0616-16	Skruv	Screw		
10	1	1		1111-2808-01	Bakaxel	Rear axle		
11	2	2		1111-2814-01	Bussning	Bushing		
12	4	4		9947-0616-16	Skruv	Screw		
16	2	2		1111-3229-01	Täckplåt	Cover plate		
19	2	2		1111-3060-01	Fjäder	Spring		
20	2	2		1111-2345-01	Hjul	Rear wheel		
21	4	4		9549-0001-00	Kullager	Ball bearing		
22	2	2		9943-0620-16	Skruv	Screw		
24	1	1		1111-2816-01	Spak	Height adj.lever		
25	1	1		1111-2817-01	Handtag	Lever knob		
26	2	2		9943-0612-16	Skruv	Screw		
27		1		1111-3031-01	Dragstång	Height adj.rod		
27	1			1111-3031-02	Dragstång	Height adj. rod		
28	2	2		9675-0011-00	Starlock	Starlock		
29	1	1		1111-2819-01	Fjäder	Spring		
30	2	2		1111-1506-01	Navkapsel	Hub cap		
31	2	2		1111-2077-01	Navkapsel	Hub cap		
32	2	2		1111-2109-01	Kuggkrans	Gear ring		
33	8	8		9841-0410-16	Skruv	Screw		
34	2	2		1111-3555-01	Distans	Spacer		
X 35	2	2		1111-3627-01	Distans	Spacer		

A

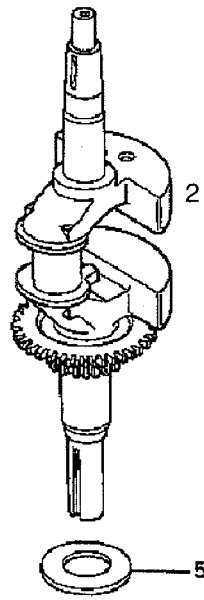


B

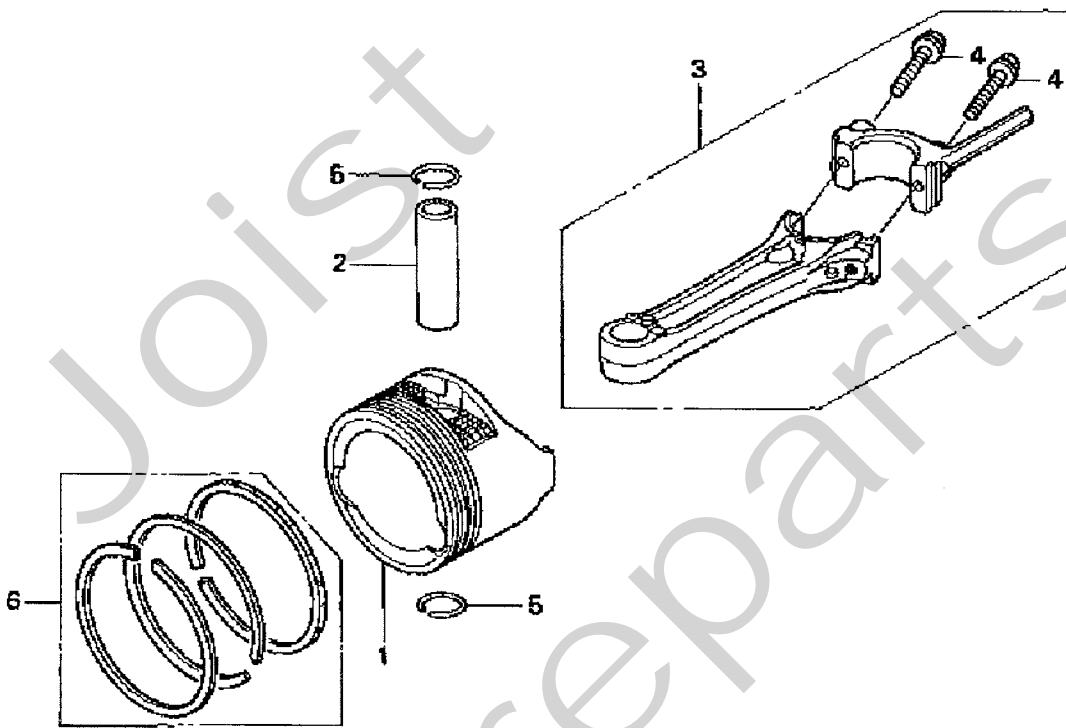


Utgåva Issue 2004-12		Bildnr Picture No 956B		HONDA GCV 135, 160 CYLINDER VEVHUS		HONDA GCV 135, 160 CYLINDER CRANKCASE		Sida Page 442
Pos. Fig.	Antal/Quantity			Art nr Part No	Benämning	Description	Sats Kit	Anmärkning Notes
	GCV 135E A2G4	GCV 160E A2G4	GCV 160E S1E1					
	A01		1	1	12000ZL8415	Cylinder	Cylinder	Champion RN9YC
	A01	1			12000ZL9415	Cylinder	Cylinder	
	A03	1	1	1	12311ZL8000	Lock	Cover	
	A04	1	1	1	12355ZL8000	Lock	Cover	
	A05	4	4	4	90013883000	Bult	Bolt	
	A06	1	1	1	90014952000	Bult	Bolt	
	A07	1	1	1	91201ZL8003	• Tättningsring	• Oil seal	
	A08	1	1	1	9400-0289-01	Tändstift	Spark plug	
X	B01	1	1		11300ZM0405	Vevhus	Oil pan	
	B01			1	11300ZM0811	Vevhus	Oil pan	
X	B02	1	1	1	15650ZOM800	Oljesticka	Oil dipstick	
	B04	1	1	1	15625ZE6000	• Packning	• Gasket	
	B05	1	1	1	15631ZM0000	Oljepåfyllningsrör	Oil filler extension	
	B06	1	1	1	15639ZM0000	Bricka	Washer	
	B08	1	1	1	16508ZM0010	• Axel	• Shaft	
	B09	1	1	1	16510ZM0010	Regulator kpl	Governor assy	
	B10	2	2	2	16511ZL8000	• Vikt	• Weight	
	B11	1	1	1	16512ZM0000	• Vikthållare	• Weight holder	
	B12	2	2	2	16513ZE1000	• Stift	• Pin	
	B13	1	1	1	16531ZE1000	• Glidhylsa	• Slider	
	B14	1	1	1	16541ZM0000	Regulatorarm	Shaft	
	B15	1	1	1	90014952000	Bult	Bolt	
	B16	8	8	8	90121952000	Bult	Bolt	
	B17	1	1	1	90451ZE1000	• Bricka	• Washer	
	B18	1	1	1	90602ZE1000	• Låsring	• Clip	
	B19	1	1	1	91202ZL8003	• Tättningsring	• Oil seal	
	B20	1	1	1	91303ZOM003	O-ring	O-ring	
	B21	1	1	1	9410106800	Bricka	Washer	
	B22	1	1	1	9425108000	Låspinne	Lock pin	
	B23	2	2	2	9430108200	Styrpinne	Dowel pin	

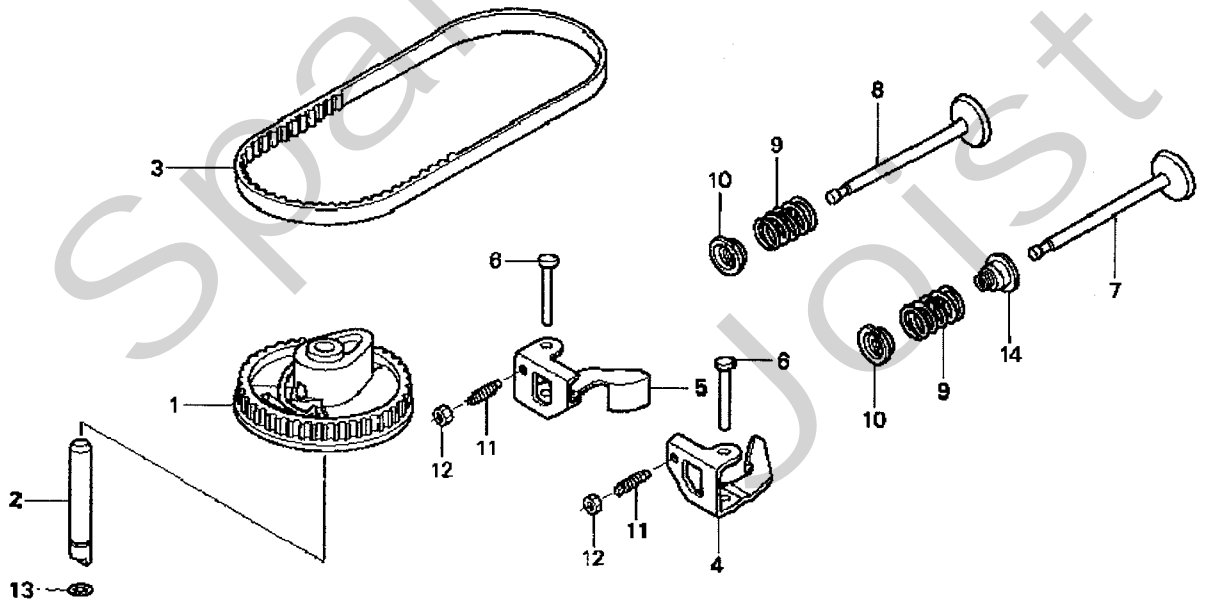
A



B



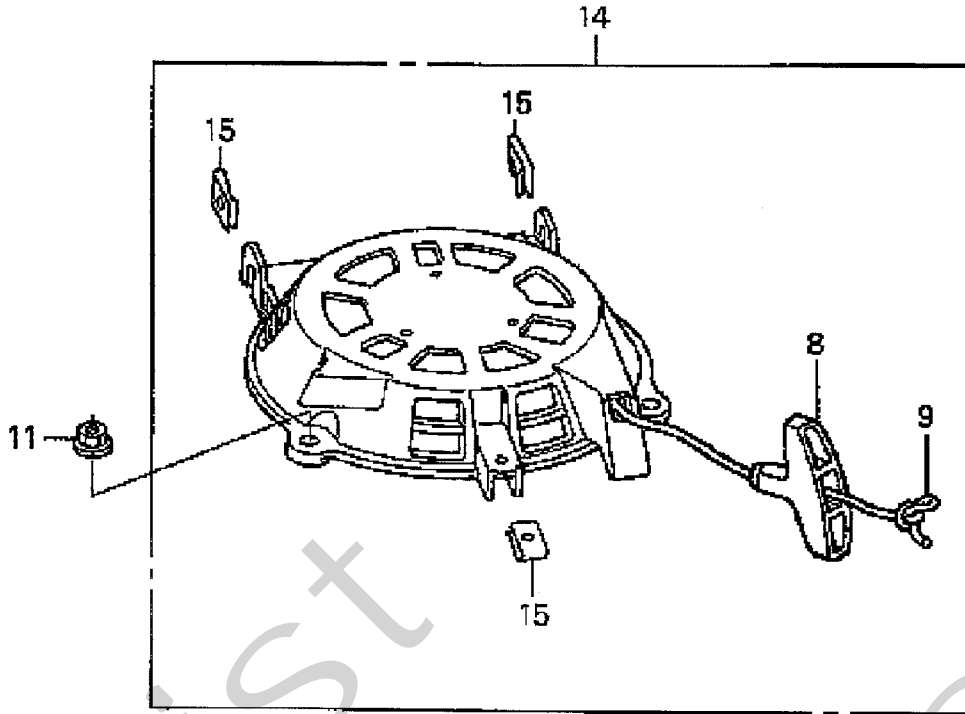
C



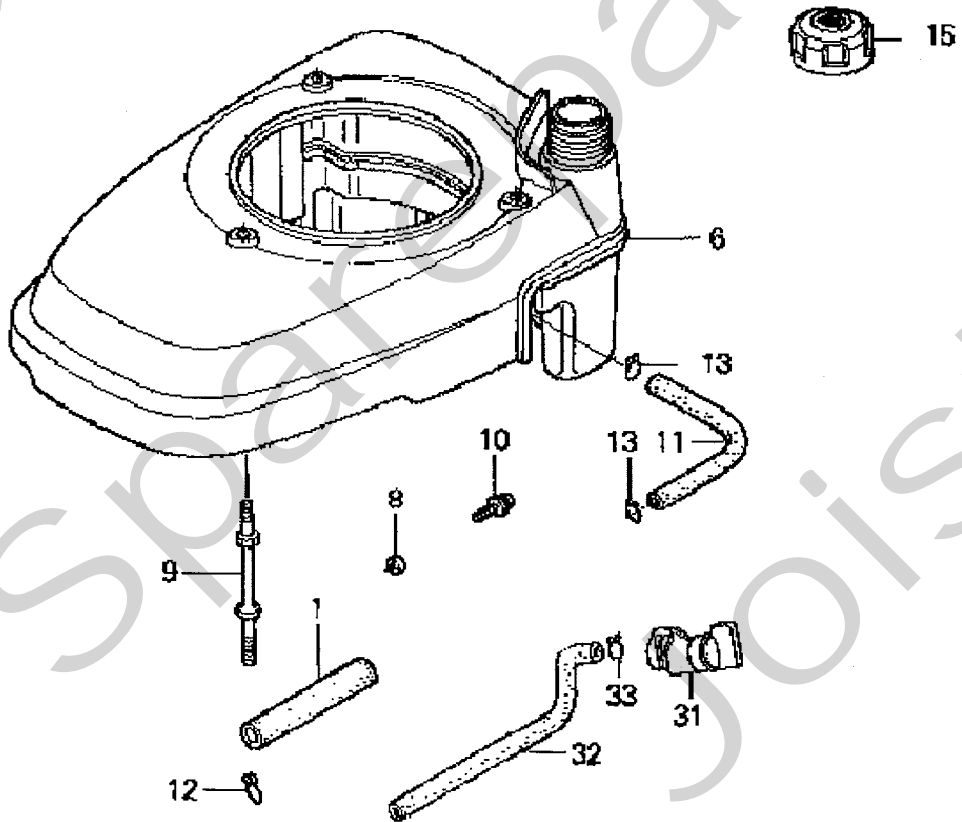
STIGA
957A
SPARE PARTS

Utgåva Issue		Bildnr Picture No		HONDA GCV 135, 160 VEVAXEL KAMAXEL		HONDA GCV 135, 160 CRANKSHAFT CAMSHAFT		Sida Page
2004-12		957A						444
Pos. Fig.	Antal/Quantity			Art nr Part No	Benämning	Description	Sats Kit	Anmärkning Notes
	GCV 135E A2G4	GCV 160E A2G4	GCV 160E S1E1					
X	A02		1	13310ZM0000	Vevaxel	Crankshaft		
	A02		1	13310ZM0600	Vevaxel	Crankshaft		
	A02	1		13310ZM1600	Vevaxel	Crankshaft		
	A05	1	1	90402ZL8000	Bricka	Washer		
	B01	1	1	13101ZL8000	Kolv	Piston		
	B02	1	1	13111ZE0000	Kolvbult	Piston pin		
	B03		1	13200ZL8000	Vevstake	Connecting rod		
	B03	1		13200ZL9000	Vevstake	Connecting rod		
	B04	2	2	90001ZE1000	• Bult	• Bolt		
	B05	2	2	90551ZE0000	Låsring	Clip		
	B06	1	1	13010ZL8003	Kolvringsatts	Ring set		
X	B06	1	1	13010ZL8024	Kolvringsatts	Ring set		Riken Teikoku
X	C01	1	1	14320ZL8010	Remskiva	Pulley		
	C02	1	1	14324ZL8000	Axel	Shaft		
X	C03		1	14400ZL8013	Kamrem	Belt		
X	C03	1		14400ZL9013	Kamrem	Belt		
X	C04	1	1	14431Z0J000	Vipparm- insug	Valve rocker arm- in		
X	C05	1	1	14441Z0J000	Vipparm- utblås	Valve rocker arm- ex		
	C06	2	2	14461ZL8000	Axel	Shaft		
	C07	1	1	14711ZL8000	Insugningsventil	Intake valve		
	C08	1	1	14721ZL8000	Utblåsningsventil	Exhaust valve		
	C09	2	2	14751ZL8000	Ventilfjäder	Valve spring		
	C10	2	2	14771ZE1000	Ventilfjäderhållare	Valve spring retainer		
	C11	2	2	90012333000	Justerskruv	Adjusting screw		
	C12	2	2	90206001000	Mutter	Nut		
	C13	1	1	91301Z0M003	O-ring	O-ring		
X	C14	1	1	12209ZM0003	Tätning	Seal		

A

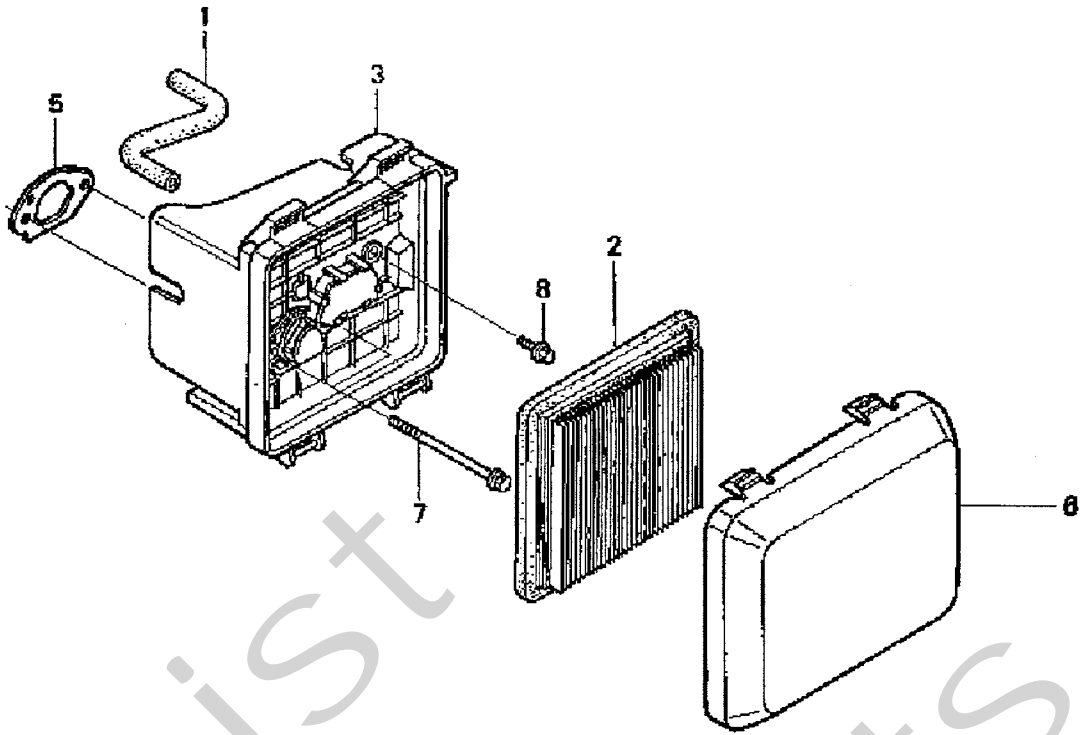


B

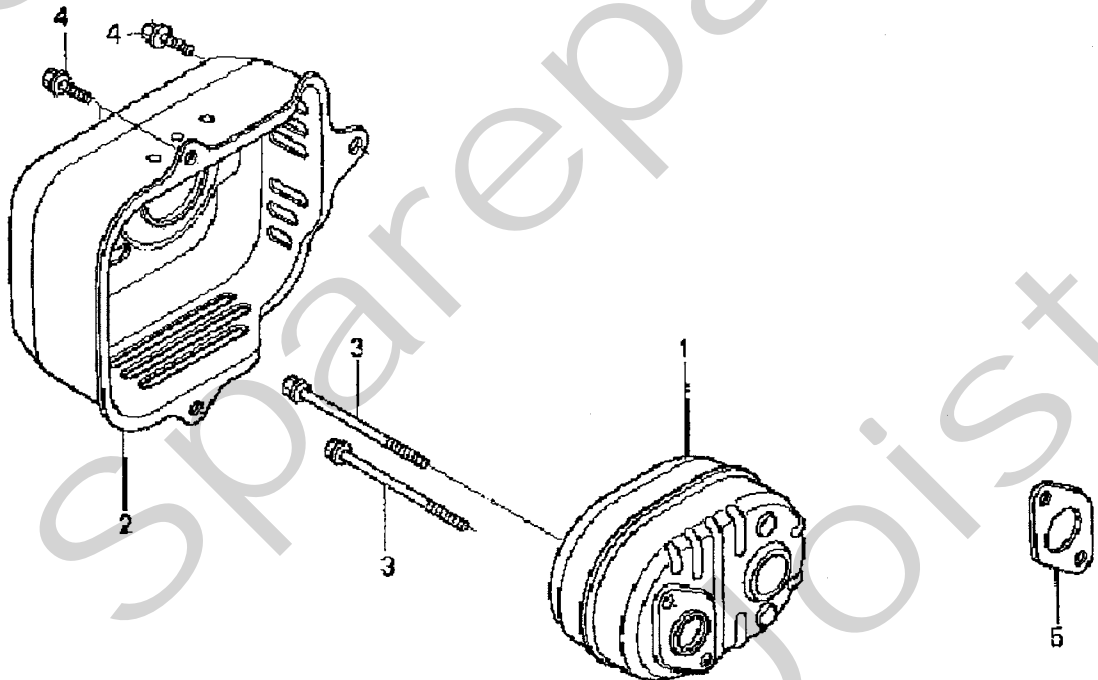


Utgåva Issue		Bildnr Picture No			HONDA GCV 135, 160 START BRÄNSLETANK		HONDA GCV 135, 160 RECOIL STARTER FUEL TANK		Sida Page	
2004-12		958A							446	
Pos. Fig.	Antal/Quantity			Art nr Part No	Benämning	Description	Sats Kit	Anmärkning Notes		
	GCV 135E A2G4	GCV 160E A2G4	GCV 160E S1E1							
X	A08	1	1	1	28461ZL8003	• Handtag	• Grip			
	A09	1	1	1	28462ZL8003	• Startsnöre	• Starter rope			
	A11	3	3	3	90201ZM0000	Mutter	Nut			
X	A14	1	1	1	28400Z0M800	Start kpl	Starter assy			
X	A15	3	3	3	66871KY2700	• Mutter	• Nut			
	B01	1	1	1	16854ZH8000	Gummistöd	Rubber supporter			
X	B06A	1			19610Z0M000	Bränsletank kpl	Fuel tank assy			ZB *NH1*
X	B06B	1			19610Z0M000	Bränsletank kpl	Fuel tank assy			ZC *R280*
X	B06C		1		19610Z1L000	Bränsletank kpl	Fuel tank assy			ZA *NH1*
X	B06D		1		19610Z1L000	Bränsletank kpl	Fuel tank assy			ZB *R280*
X	B06E			1	19610Z1L800	Bränsletank kpl	Fuel tank assy			ZA *NH1*
	B08	1	1	1	33609GK4620	Hylsa	Collar			
	B09	3			90041ZL9000	Pinnbult	Stud bolt			
	B09		3	3	90043ZL8000	Pinnbult	Stud bolt			
	B10	1	1	1	938910501008	Skruv	Screw			
	B11	1			950015513540	Bränslerör	Fuel tube			5.3 x 135
	B11		1	1	950015515040	Bränslerör	Fuel tube			5.3 x 150
	B12	1	1	1	9500202080	Slangklämma	Tube clip			
	B13	2	2	2	9500202100	Slangklämma	Tube clip			
X	B15	1	1	1	17620Z0M000	Tanklock	Tank cap			
X	B31	1	1	1	16950ZM0003	Bensinkran	Fuel cock			
X	B32	1	1	1	17702ZM0800	Bränsleslang	Fuel tube			
	B33	1	1	1	9500202080	Slangklämma	Tube clip			

A

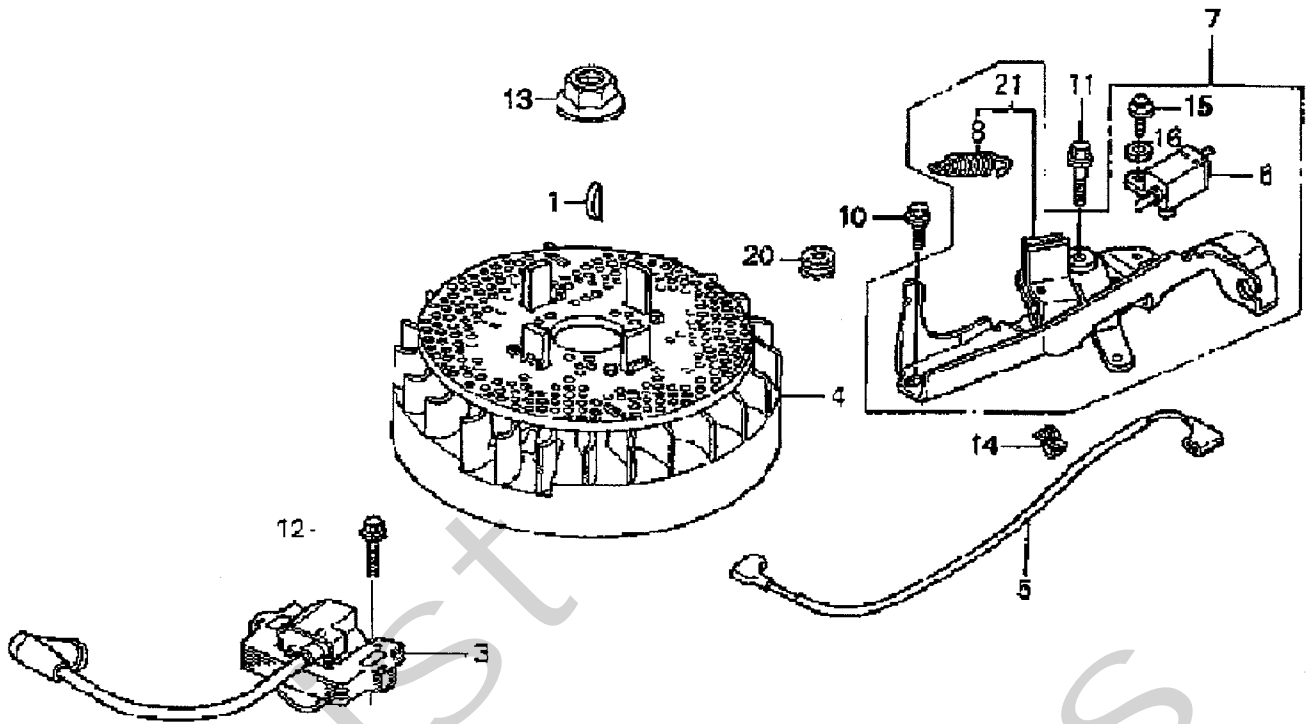


B

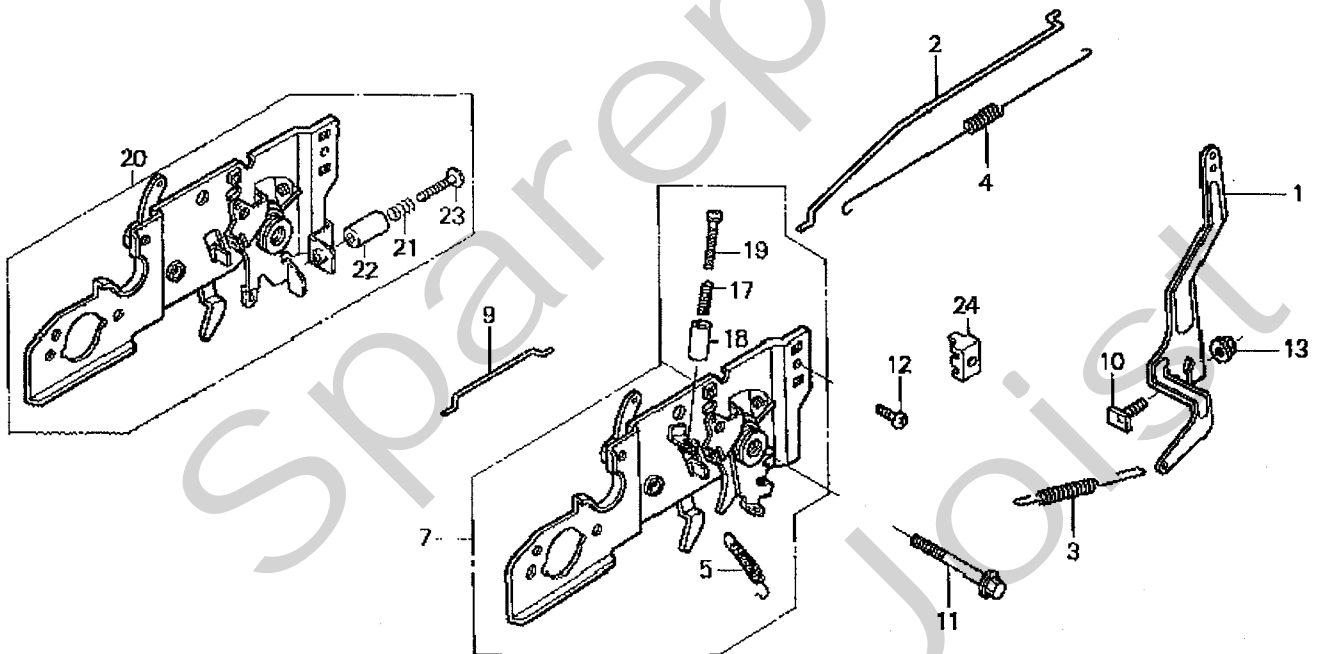


Utgåva Issue		Bildnr Picture No			HONDA GCV 135, 160 LUFTFILTER LJUDDÄMPARE		HONDA GCV 135, 160 AIR CLEANER MUFFLER		Sida Page
2004-12		959A							448
Pos. Fig.	Antal/Quantity			Art nr Part No	Benämning	Description	Sats Kit	Anmärkning Notes	
	GCV 135E A2G4	GCV 160E A2G4	GCV 160E S1E1						
	A01		1	1	15721ZM0000	Ventilationsrör	Breather tube		
	A01	1			15721ZM1000	Ventilationsrör	Breather tube		
	A02	1	1	1	17211ZL8003	Filterelement	Air cleaner element		
	A03	1	1	1	17220ZM0000	Luftrenarhus	Air cleaner case		
	A05	1	1	1	17228ZM0000	Packning	Gasket		
X	A06	1	1	1	17231Z0L020	Kåpa	Cover		
	A07	2	2	2	90003ZM0000	Bult	Bolt		
	A08	1	1	1	957010601408	Bult	Bolt		
	B01	1	1	1	18310ZM0000	Ljuddämpare	Muffler		
	B02	1	1	1	18321ZL8000	Skydd	Protector		
	B03	2	2	2	90004ZL8000	Bult	Bolt		
	B04	3	3	3	90013883000	Bult	Bolt		
X	B05	1	1	1	18381ZL8305	Packning	Gasket		

A

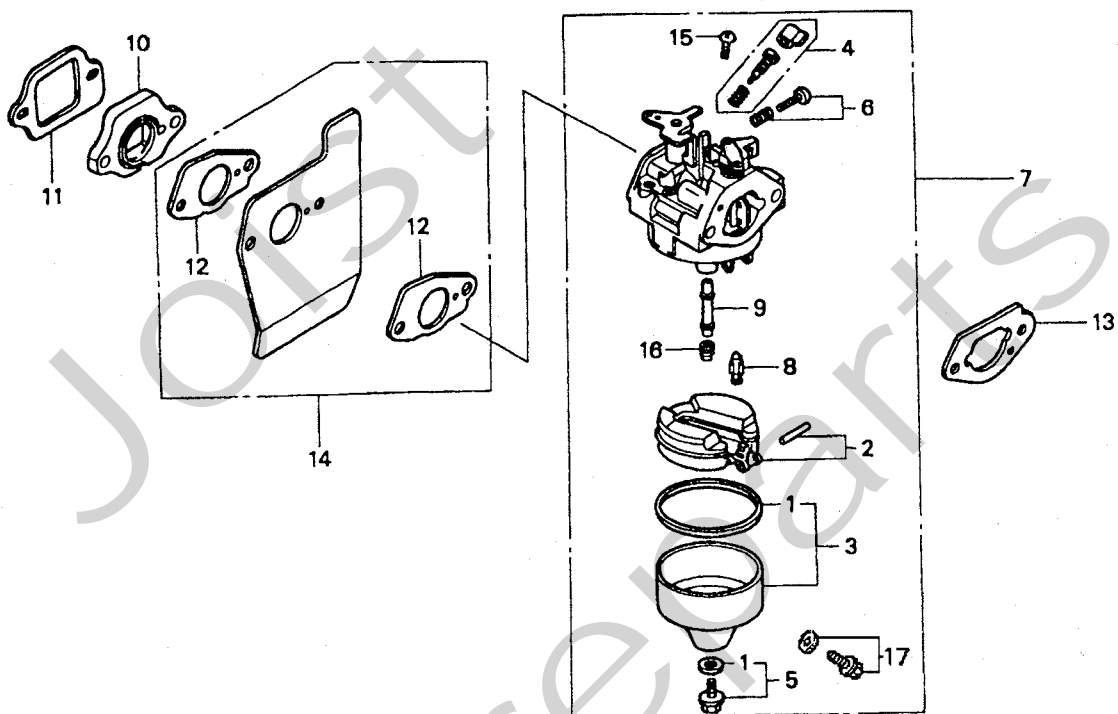


B



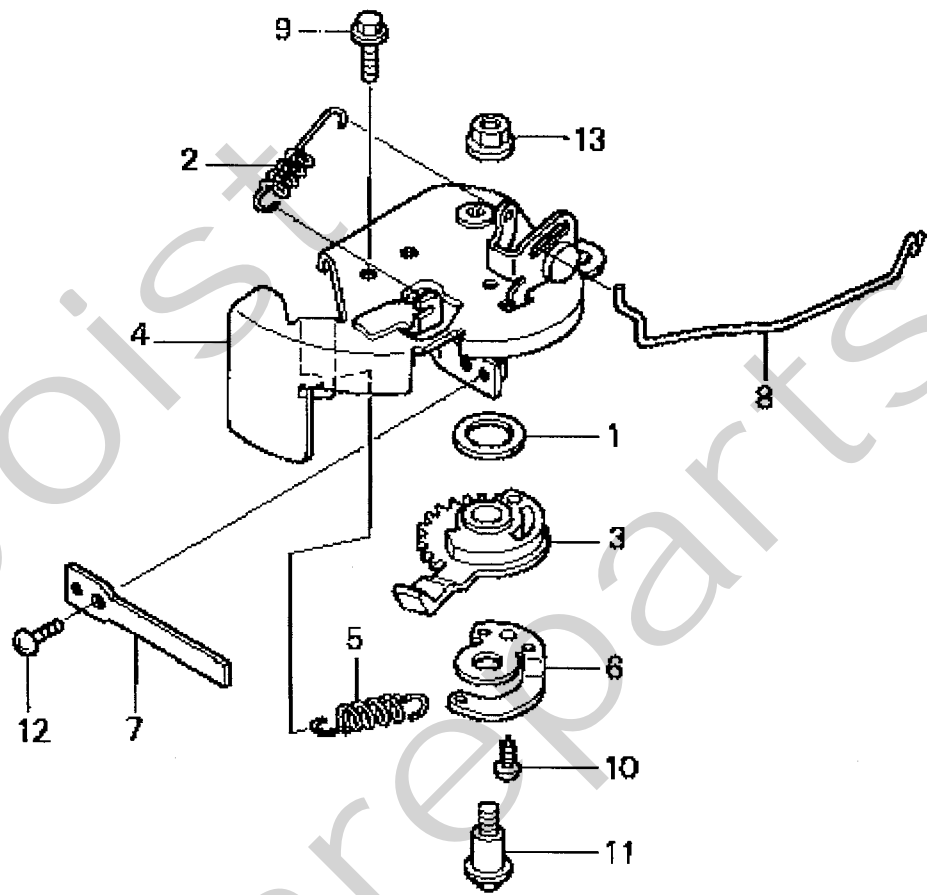
Utgåva Issue 2004-12		Bildnr Picture No 960A		HONDA GCV 135, 160 SVÄNGHJUL REGULATOR		HONDA GCV 135, 160 FLYWHEEL CONTROL		Sida Page 450
Pos. Fig.	Antal/Quantity			Art nr Part No	Benämning	Description	Sats Kit	Anmärkning Notes
	GCV 135E A2G4	GCV 160E A2G4	GCV 160E S1E1					
X A01	1	1	1	13331357000	Kil	Key		
A03	1	1	1	30500ZL8004	Tändspole	Ignition coil		
A04		1	1	31105ZM0000	Svängjul	Flywheel		
A04	1			31105ZM1000	Svängjul	Flywheel		
A05	1	1		32195ZM0000	Kabel	Cord		
X A05			1	32195ZM0800	Kabel	Cord		
A06	1	1	1	35120ZM0003	• Stoppkontakt	• Stop switch		
A07	1	1		75100ZM0000	Broms kpl	Brake assy		
A08	1	1	1	75113ZM0000	• Fjäder	• Spring		
A10	1	1	1	90014952000	Bult	Bolt		
A11	1	1	1	90018ZE1000	Bult	Bolt		
A12	1	1	1	90022888010	Bult	Bolt		
A13	1	1	1	90201878003	Mutter	Nut		
A14	1	1	1	90681959003	Kabelklämma	Cable clip		
A15	1	1	1	938920401200	• Skruv	• Screw		
A16	1	1	1	9410304000	• Bricka	• Washer		
X A20			1	11344MB0000	Hylsa	Grommet		
X A21			1	75110Z0L800	Broms kpl	Brake assy		
X B01	1	1	1	16551ZM0010	Regulatorarm	Governor arm		
X B02		1		16555Z0L800	Regulatorlänk	Governor rod		
B02	1			16555ZM0000	Regulatorlänk	Governor rod		
X B03	1			16555ZM1000	Regulatorlänk	Governor rod		
X B03		1	1	16561Z0M870	Regulatorfjäder	Governor spring		
X B03		1	1	16561Z1L870	Regulatorfjäder	Governor spring		
B04	1	1	1	16562ZM0000	Returfjäder	Return spring		
B04	1			16562ZM1000	Returfjäder	Return spring		
B05	1	1		16576ZE7300	• Fjäder	• Lever spring		
X B07	1	1		16580ZM0871	Reglageplatta	Control base		
B09	1	1		16674ZM0000	Chokelänk	Choke rod		
B10	1	1	1	90015ZE5010	Bult	Bolt		
B11	1	1	1	90016ZM0000	Bult	Bolt		
B12	1	1		93500050160A	Skruv	Screw		
B13	1	1	1	9405006000	Mutter	Nut		
B17	1	1		16584883300	• Fjäder	• Spring		
X B18	1	1		16599ZG1M10	• Hylsa	• Collar		
X B19	1	1		90016ZE7W00	• Skruv	• Screw		
X B20			1	16580Z0M810	Reglageplatta	Control base		
B21			1	16584883300	• Fjäder	• Spring		
X B22			1	16599ZG1M10	• Hylsa	• Collar		
X B23			1	90016ZE7W00	• Skruv	• Screw		
X B24	1	1		16617VG3000	Kabelhållare	Cable holder		

A

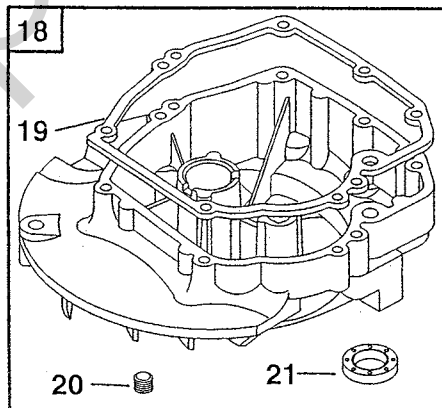
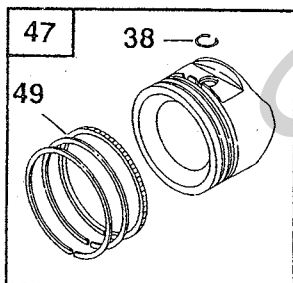
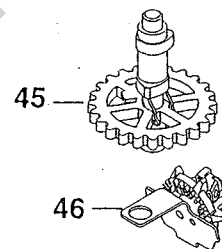
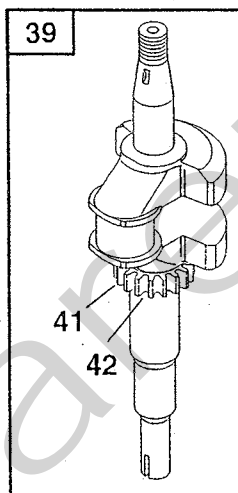
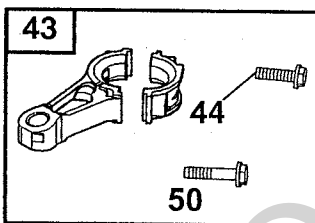
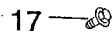
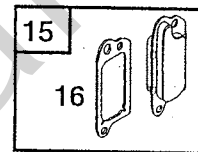
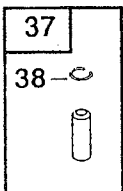
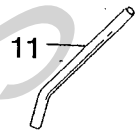
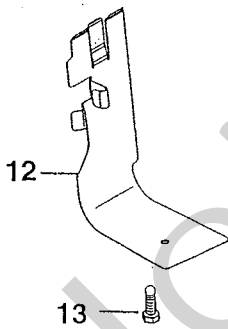
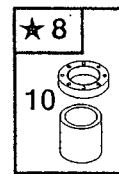
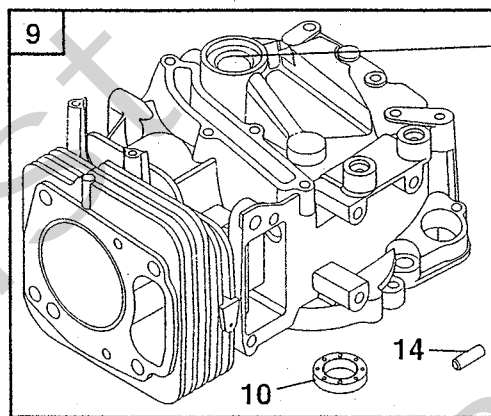
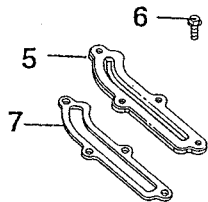
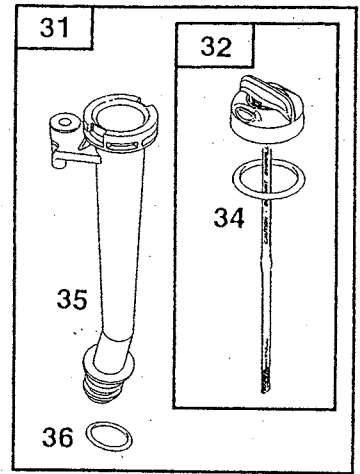
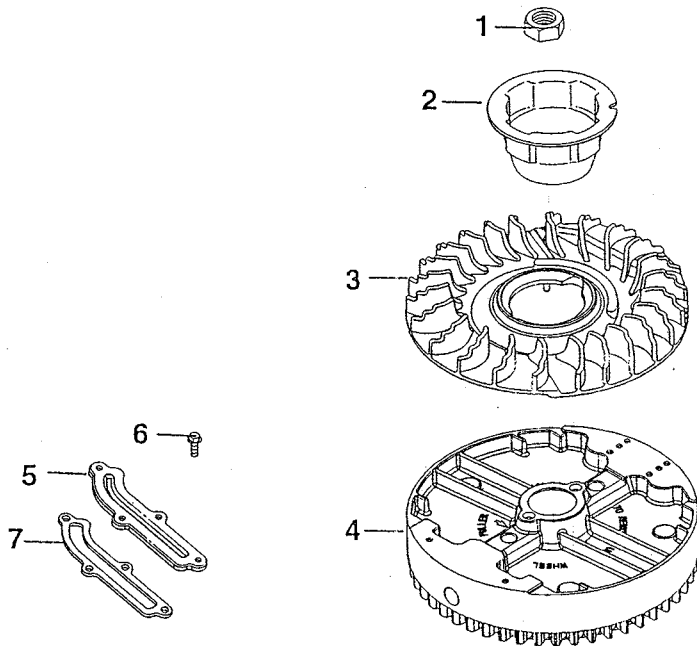


Utgåva Issue 2004-12		Bildnr Picture No 961A			HONDA GCV 135, 160 FÖRGASARE		HONDA GCV 135, 160 CARBURETTOR		Sida Page 452
Pos. Fig.	Antal/Quantity			Art nr Part No	Benämning	Description	Sats Kit	Anmärkning Notes	
	GCV 135E A2G4	GCV 160E A2G4	GCV 160E S1E1						
A01	1	1	1	16010883015	•• Packningssats.....	•• Gasket set			
A02	1	1	1	16013ZL1003	• Flottörsats.....	• Float set			
A03	1	1	1	16015887782	• Flottörhus	• Float chamber			
A04	1	1	1	16016ZGOW00	• Justerskruv.....	• Set screw			
A05	1	1	1	16028ZE0005	• Skruv	• Screw			
A06	1	1	1	16029ZG0901	• Justerskruv.....	• Set screw			
X A07			1	16100ZOL801	Förgasare kpl.....	Carburettor assy		BB62G A	
A07		1		16100ZM0803	Förgasare kpl.....	Carburettor assy		BB62B D	
A07	1			16100ZM1822	Förgasare kpl.....	Carburettor assy		BB64F A	
A08	1	1	1	16155ZM0003	• Ventil	• Valve			
A09		1	1	16166ZM0003	• Munstycke.....	• Main nozzle			
A09	1			16166ZM1003	• Munstycke.....	• Main nozzle			
A10	1	1	1	16211ZL8000	Isolator	Insulator			
A11	1	1	1	16212ZL8000	Packning.....	Gasket			
A12	1	1	1	16221883800	• Packning.....	• Gasket			
A13	1	1	1	16228ZL8000	Packning.....	Gasket			
A14	1	1	1	19650ZM0000	Luftplåt	Air guide			
A15	1	1	1	93500050061H	• Skruv	• Screw			
A16	1			991011240580	• Munstycke.....	• Main jet		#58	
A16	1	1	1	991011240600	• Munstycke.....	• Main jet		#60	
A16	1	1	1	991011240620	• Munstycke.....	• Main jet		#62	
A16	1	1	1	991011240650	• Munstycke.....	• Main jet		#65	
A17	1	1	1	16024ZE1811	• Dräneringsskruv.....	• Drain screw			

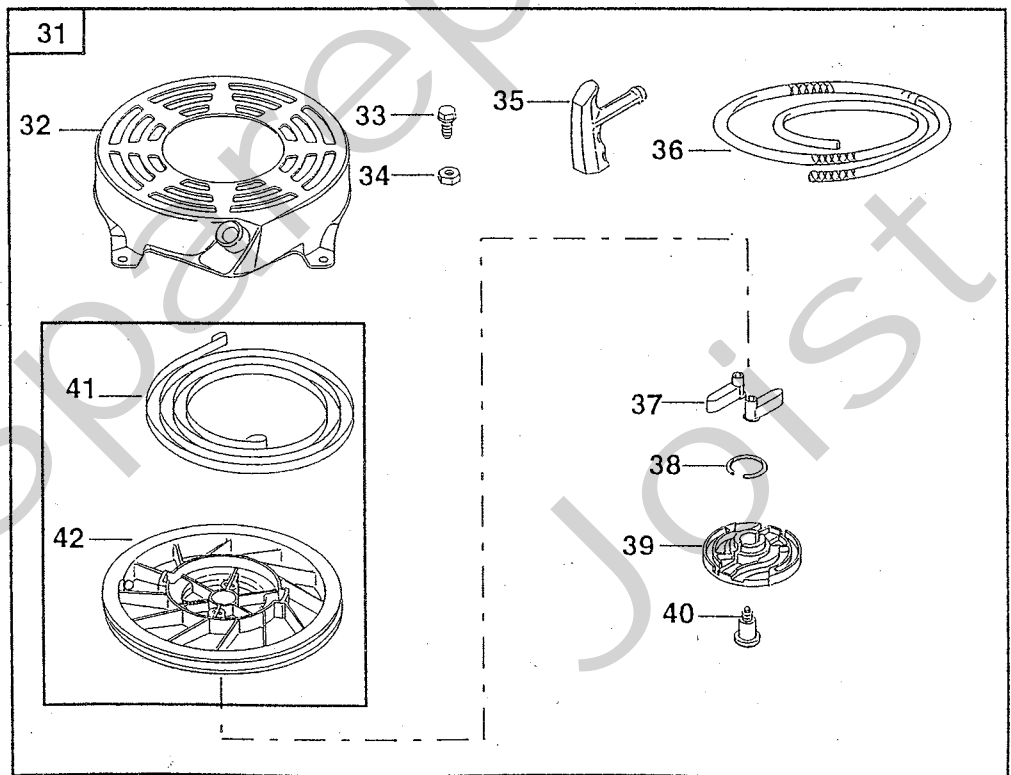
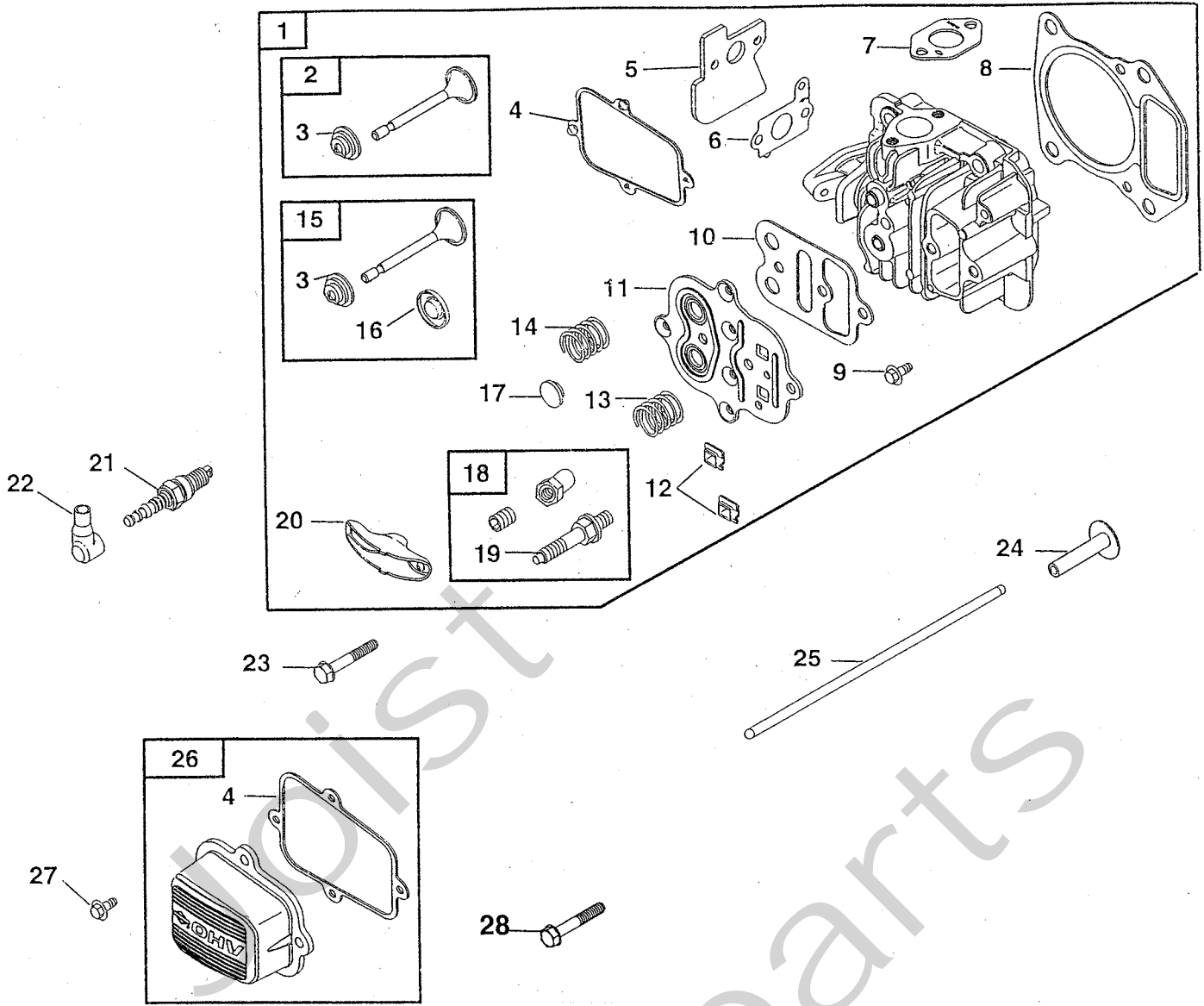
A



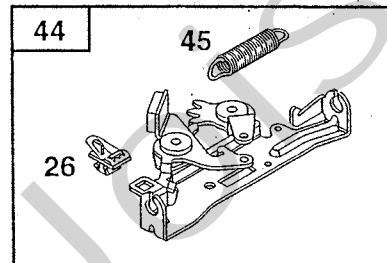
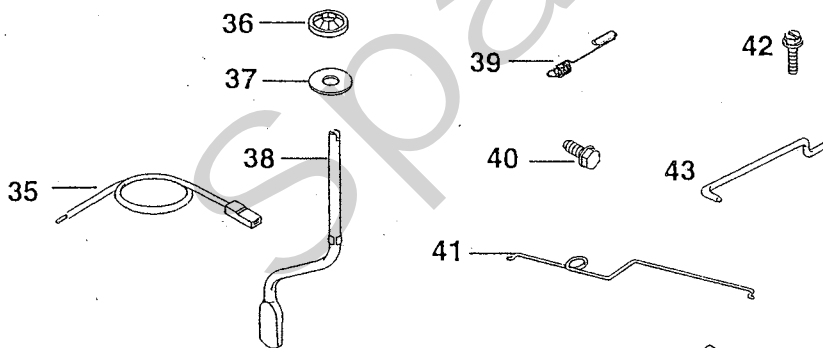
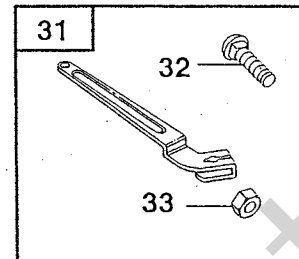
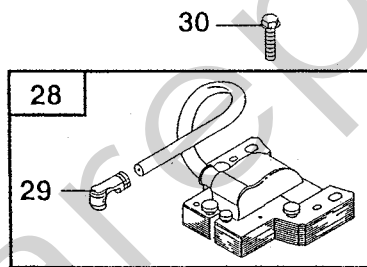
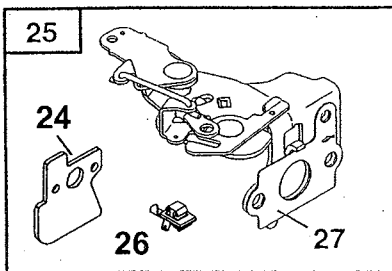
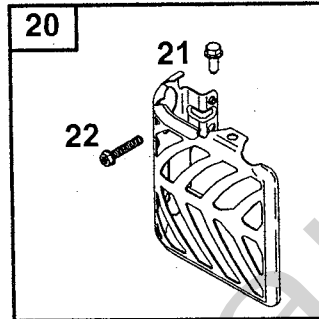
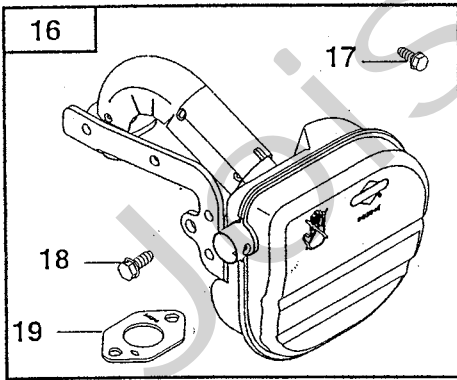
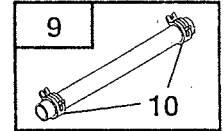
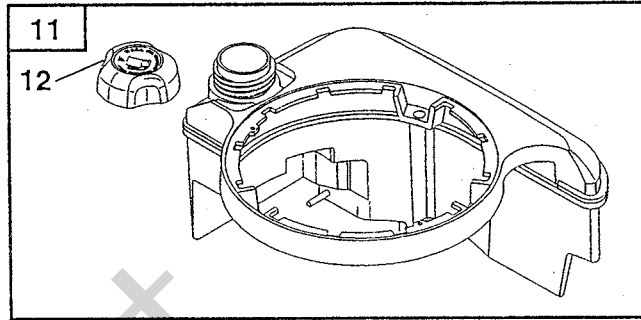
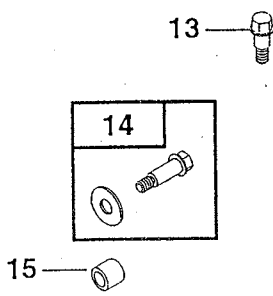
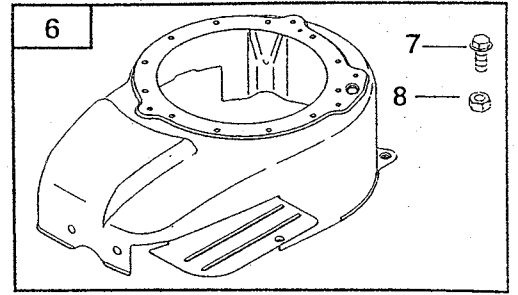
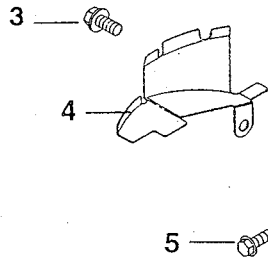
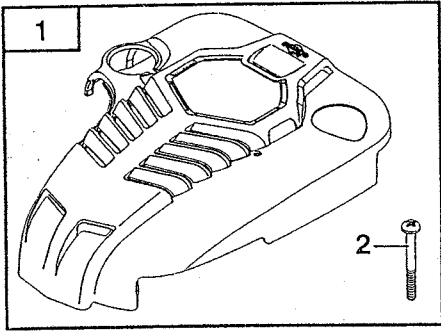
Utgåva Issue		Bildnr Picture No		HONDA GCV 160 CHOKE		HONDA GCV 160 CHOKE		Sida Page
2004-12		1744						454
Pos. Fig.	Antal/Quantity			Art nr Part No	Benämning	Description	Sats Kit	Anmärkning Notes
	GCV 160E S1E1							
X	A01	1		16251ZOL800	Tätning	Seal		
X	A02	1		16592ZJ1000	Fjäder.....	Spring		
X	A03	1		16612ZOL800	Chokearm	Choke lever		
X	A04	1		16613ZOL800	Chokefäste.....	Choke base		
X	A05	1		16614ZOL800	Fjäder.....	Spring		
X	A06	1		16616ZOL800	Fjäderkrok.....	Spring hook		
X	A07	1		16619ZOL800	Chokeplatta.....	Choke plate		
X	A08	1		16632ZOL800	Reglagestång.....	Stop rod		
X	A09	1		90022888000	Flänsskruv	Flange bolt		
X	A10	1		90102SP1003	Skruv	Screw		
X	A11	1		90141KT8000	Skruv	Screw		
X	A12	1		9350004008H	Skruv	Screw		
X	A13	1		9405005000	Mutter.....	Nut		



Utgåva Issue 2004-12		Bildnr Picture No 1131A		BRIGGS & STRATTON 121602 CYLINDER VEVHUS		BRIGGS & STRATTON 121602 CYLINDER CRANKCASE		Sida Page 422	
Pos. Fig.	Antal/Quantity			Art nr Part No	Benämning	Description	Sats Kit	Anmärkning Notes	
	121 602- 0626								
X	1	1		690662	Mutter.....	Flywheel nut.....			
	2	1		695161	Svånghjuls kopp.....	Flywheel cup.....			
	3	1		691346	Fläkt.....	Fan.....			
	4	1		692452	Svånghjul.....	Flywheel.....			
	5	1		697734	Lock.....	Cover.....			
	6	4		690345	Skruv.....	Screw.....			
	7	1		691879	Packning.....	Gasket.....			
	8	1		399269	Bussning.....	Bushing.....			
	9	1		499678	Cylinder.....	Cylinder.....			
	10	1		299819	• Tätningssring.....	• Oil seal.....			
	11	1		691260	Rör.....	Breather tube.....			
	12	1		691232	Cylinderskydd.....	Cylinder shield.....			
	13	1		690345	Skruv.....	Screw.....			
	14	2		690959	• Tapp.....	• Locating pin.....			
	15	1		495786	Vevhusventilation.....	Breather.....			
X	16	1		699833	• Packning.....	• Gasket.....			
	17	2		691125	Skruv.....	Screw.....			
	18	1		493279	Vevhus.....	Engine sump.....			
	19	1		692232	• Packning.....	• Gasket.....			
	20	1		691680	• Oljeavtappningsplugg.....	• Oil drain plug.....			
	21	1		399781	• Tätningssring.....	• Oil seal.....			
	22	7		691092	Skruv.....	Screw.....			
	31	1		692047	Oljesticka kpl.....	Oil dipstick assy.....			
	32	1		499621	• Oljesticka.....	• Dipstick.....			
	33	1		690940	Skruv.....	Screw.....			
	34	1		691031	• O-ring.....	• O-ring.....			
	35	1		495265	• Oljepåfyllningsrör.....	• Oil filler tube.....			
	36	1		692296	• Tätningssring.....	• Tube seal.....			
	37	1		499423	Kolvbult.....	Piston pin.....			
	38	2		691866	• Låsring.....	• Lock ring.....			
X	39	1		691457	Vevaxel.....	Crankshaft.....			
	40	1		222698	Kil.....	Key.....			
	41	1		691830	• Drev.....	• Timing gear.....			
	42	1		690979	• Kil.....	• Timing key.....			
	43	1		499424	Vevstake.....	Connecting rod.....			
	44	1		691664	• Skruv.....	• Screw.....			
	45	1		694039	Kamaxel.....	Camshaft.....			
	46	1		691997	Oljeslångare.....	Oil slinger.....			
	47	1		499627	Kolv kpl.....	Piston assy.....			
	47	1		692789	Kolv kpl.....	Piston assy.....		.020" oversize	
	49	1		499631	• Kolvringsatts.....	• Ring set.....			
	49	1		692786	• Kolvringsatts.....	• Ring set.....		.020" oversize	
	50	1		695759	• Skruv.....	• Screw.....			

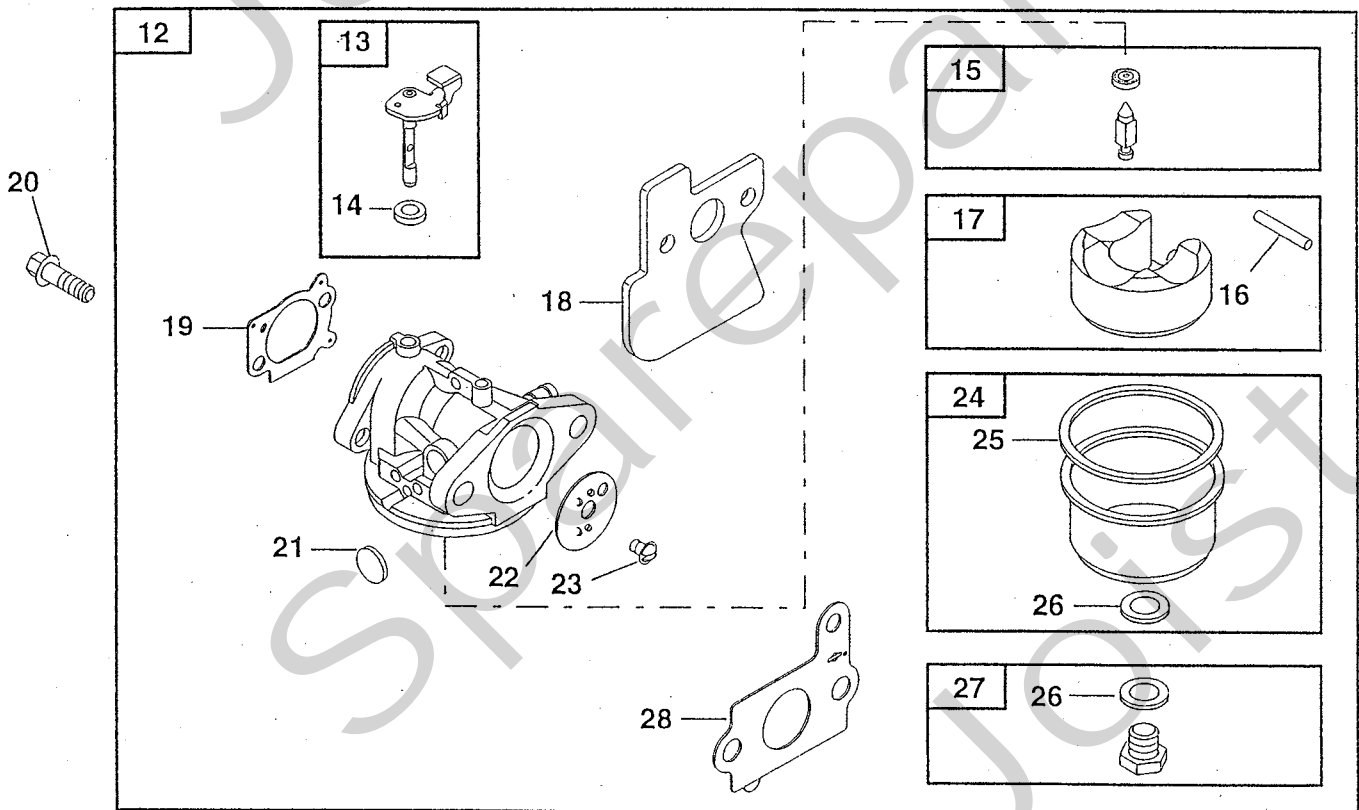
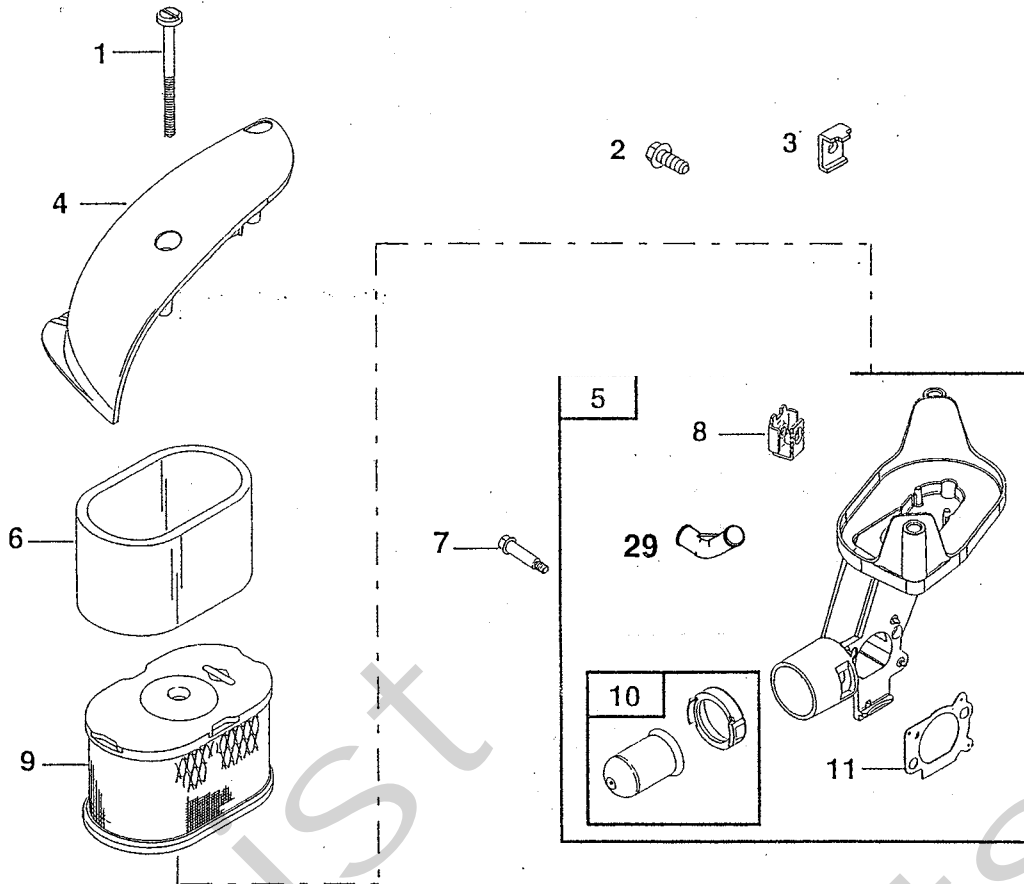


Utgåva Issue 2004-12		Bildnr Picture No 1132A		BRIGGS & STRATTON 121602 TOPPLOCK START		BRIGGS & STRATTON 121602 CYLINDER HEAD STARTER		Sida Page 424
Pos. Fig.	Antal/Quantity			Art nr Part No	Benämning	Description	Sats Kit	Anmärkning Notes
	121 602- 0626							
1	1			695276	Topplöck	Cylinder head		
2	1			499642	• Utblåsningsventil	• Exhaust valve		
3	2			692194	• Ventilållare	• Valve retainer		
4	1			691890	• Packning	• Gasket		
5	1			692799	• Distans	• Spacer		
6	1			692668	• Packning	• Gasket		
7	1			691893	• Packning	• Gasket		
X 8	1			697230	• Packning	• Gasket		
9	3			691108	• Skruv	• Screw		
10	1			694088	• Packning	• Gasket		
11	1			696268	• Plåt	• Plate		
12	2			691343	• Styrning	• Push rod guide		
13	1			691304	• Ventilfjäder	• Valve spring		
14	1			691304	• Ventilfjäder	• Valve spring		
15	1			499641	• Insningsventil	• Intake valve		
16	1			692044	• Tätning	• Seal		
17	2			691300	• Ventilhättå	• Valve cap		
18	2			694543	• Vipparmskula	• Rocker arm ball		
19	2			694544	• Pinnbult	• Stud		
20	2			691230	• Vipparm	• Rocker arm		
21	1			9400-0244-00	Tändstift	Spark plug		
22	1			66538	Tändstiftsskydd	Spark plug elbow		Champion RC12YC
23	4			691137	Skruv	Screw		
24	2			690977	Ventilyftare	Valve tappet		
25	2			692045	Stötsång	Push rod		
26	1			499624	Lock	Rocker cover		
27	4			691108	Skruv	Screw		
28	1			691127	Skruv	Screw		
31	1			497680	Start kpl	Starter assy		
32	1			691421	• Starthus	• Starter housing		
33	4			690837	• Skruv	• Screw		
34	4			690800	• Mutter	• Nut		
35	1			281434	• Starthandtag	• Handle		
X 36	1			697316	• Startsnöre	• Starter rope		
37	2			281505	• Startklo	• Starter pawl		
38	1			691855	• Friktionsfjäder	• Friction spring		
39	1			692299	• Spårplatta	• Pawl friction plate		
40	1			691696	• Skruv	• Screw		
41	1			498144	• Linhjul m. fjäder	• Pulley/spring		
42	1			498144	• Linhjul m. fjäder	• Pulley/spring		



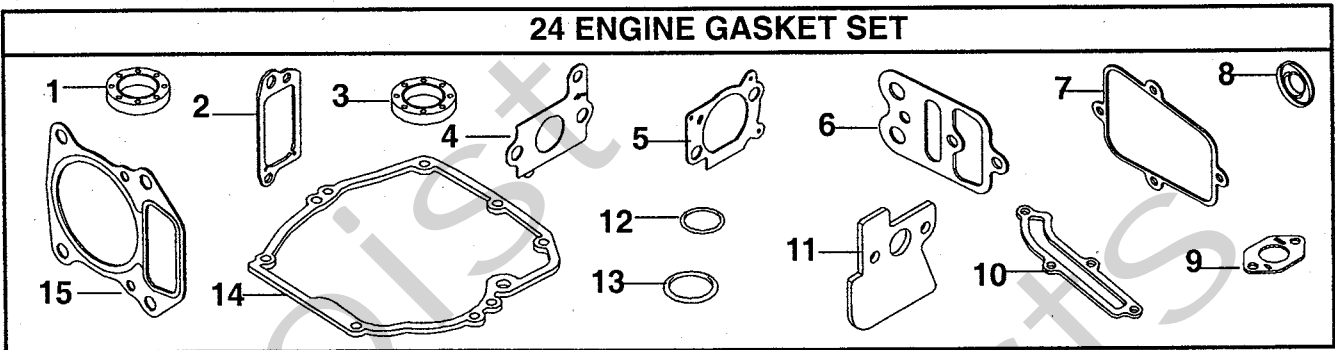
46

Utgåva Issue		Bildnr Picture No		BRIGGS & STRATTON 121602 BENSINTANK REGULATOR		BRIGGS & STRATTON 121602 FUEL TANK GOVERNOR		Sida Page 426	
Pos. Fig.	Antal/Quantity			Art nr Part No	Benämning	Description	Sats Kit	Anmärkning Notes	
	121 602- 0626								
	1			691465	Kåpa	Blower housing cover			
	2			691138	• Skruv	• Screw			
	3			691108	Skruv	Screw			
	4			694086	Svänghjulsskydd	Flywheel guard			
	5			691108	Skruv	Screw			
	6			499677	Fläkthus	Blower housing			
	7			690837	• Skruv	• Screw			
	8			690800	• Mutter	• Nut			
	9			691050	Bränsleslang	Fuel line			
	10			95162	• Slangklämma	• Hose clamp			
X	11			699374	Bränsletank	Fuel tank			
	12			692046	• Tanklock	• Fuel tank cap			
	13			690940	Skruv	Screw			
	14			692311	Skruv/bricka	Screw/washer			
	15			692294	Distans	Spacer			
	16			693982	Ljuddämpare	Muffler			
	17			691108	• Skruv	• Screw			
	18			691140	• Skruv	• Screw			
	19			691893	• Packning	• Gasket			
X	20			695593	Ljuddämparskydd	Muffler guard			
	21			691147	• Skruv	• Screw			
	22			692557	• Skruv	• Screw			
	24			692799	• Distans	• Spacer			
	25			692618	Reglageplåt	Control bracket			
	26			692310	• Stoppkontakt	• Stop switch			
	27			692668	• Packning	• Gasket			
	28			802574	Tändsystem	Magneto armature			
	29			493880	• Anslutningshylsa	• Terminal			
	30			691061	Skruv	Screw			
	31			690783	Regulatorarm	Govern. control lever			
	32			691119	• Bult	• Bolt			
	33			691251	• Mutter	• Nut			
	35			398153	Stoppkabel	Stop wire			
	36			690340	Hållare	Retainer			
	37			690272	Bricka	Washer			
	38			698801	Regulatoraxel	Governor crank			
	39			690319	Regulatorfjäder	Governor spring			
	40			691147	Skruv	Screw			
	41			691303	Regulatorlänk	Governor link			
	42			691648	Skruv	Screw			
X	43			691826	Länk	Link			
	44			691994	Broms	Brake			
	45			691831	• Bromsfjäder	• Brake spring			
	46			690798	Wireklämma	Casing clamp			
	47			691044	Skruv	Screw			
X	48			691884	Hylsa	Lever sleeve			

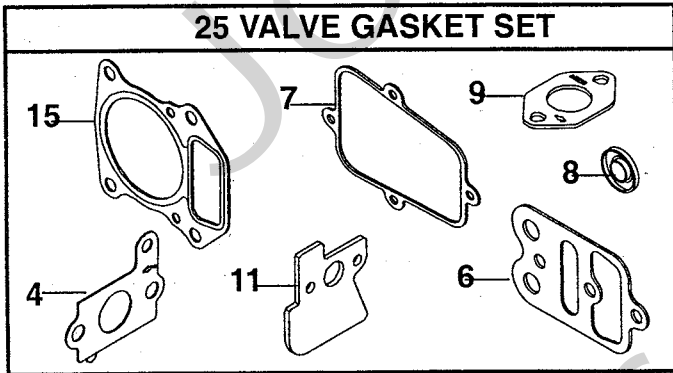


Utgåva Issue		Bildnr Picture No		BRIGGS & STRATTON 121602 FÖRGASARE LUFFFILTER		BRIGGS & STRATTON 121602 CARBURETTOR AIR CLEANER		Sida Page
2004-12		1134A						428
Pos. Fig.	Antal/Quantity			Art nr Part No	Benämning	Description	Sats Kit	Anmärkning Notes
	121 602- 0626							
X	1	1		690244	Skruv	Screw		
X	2	1		94882	Skruv	Screw		
	3	1		213146	Klämma	Clamp		
	4	1		691342	Kåpa	Air cleaner cover		
	5	1		690243	Lufffilterbas	Air cleaner base		
	6	1		273356	Förfilter	Air filter		
	7	2		690255	Skruv	Screw		
	8	1		691189	• Fäste	• Casing clamp bracket		
	9	1		697029	Lufffilter	Air cleaner cartridge		
	10	1		694395	• Primer	• Primer		
	11	1		691894	• Packning	• Gasket		
X	12	1		790120	Förgasare	Carburettor		
X	13	1		790121	• Spjällaxel	• Throttle shaft		
	14	1		691321	•• Dammtätning	•• Dust seal		
	15	1		398188	• Bränslenål	• Inlet valve		
	16	1		691242	•• Flottöraxel	•• Float hinge pin		
	17	1		398187	• Flottör	• Float		
	18	1		692799	• Distans	• Spacer		
	19	1		691894	• Packning	• Gasket		
	20	2		691136	Skruv	Screw		
	21	1		694468	• Expansionsbricka	• Welch plug		
	22	1		696564	• Gasspjäll	• Throttle valve		
	23	1		691636	• Skruv	• Screw		
	24	1		493640	• Flottörhus	• Bowl		
	25	1		693981	•• Packning	•• Gasket		
X	26	1		271716	•• Tätningbricka	•• Sealing washer		
	27	1		498981	• Huvudmunstycke	• Main jet		Standard
	28	1		692668	• Packning	• Gasket		
	29	1		692937	• Hylsa	• Grommet		

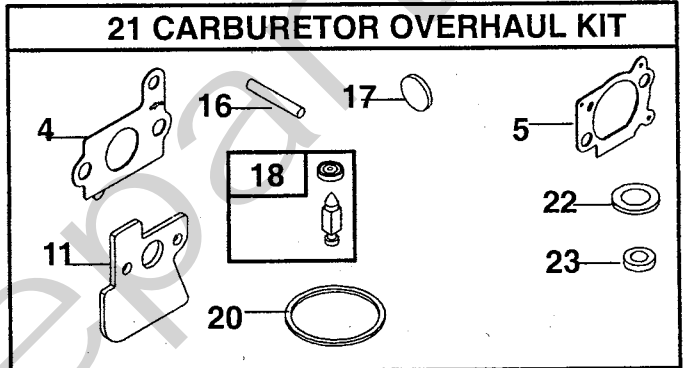
24 ENGINE GASKET SET



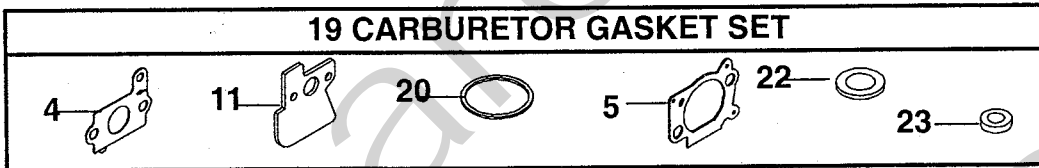
25 VALVE GASKET SET



21 CARBURETOR OVERHAUL KIT



19 CARBURETOR GASKET SET



Utgåva Issue 2004-12		Bildnr Picture No 1621		BRIGGS & STRATTON 121602 PACKNINGSSATS		BRIGGS & STRATTON 121602 GASKET SET		Sida Page 430	
Pos. Fig.	Antal/Quantity				Art nr Part No	Benämning	Description	Sats Kit	Anmärkning Notes
	121 602- 0626								
A01	1				299819	• Tätningsring	• Oil seal		
A02	1				272481	• Packning	• Gasket		
A03	1				399781	• Tätningsring	• Oil seal		
A04	1				692668	• Packning	• Gasket		
A05	1				691894	• Packning	• Gasket		
A06	1				694088	• Packning	• Gasket		
A07	1				691890	• Packning	• Gasket		
A08	1				692044	• Tätning	• Seal		
A09	1				691893	• Packning	• Gasket		
A10	1				691879	• Packning	• Gasket		
A11	1				692799	• Distans	• Spacer		
A12	1				691031	• O- ring	• O- ring		
A13	1				692296	• Tätningsring	• Tube seal		
A14	1				692232	• Packning	• Gasket		
A15	1				695166	• Packning	• Gasket		
A16	1				691242	• Flottöraxel	• Float hinge pin		
A17	1				691739	• Expansionsbricka	• Welch plug		
A18	1				398188	• Bränslenål	• Inlet valve		
A19	1				692704	Packningssats- förgas.	Gasket set- carb.		
A20	1				693981	• Packning	• Gasket		
A21	1				692703	Rep.sats förgasare	Carb. overhaul kit		
A22	1				271716	• Tätningsbricka	• Sealing washer		
A23	1				691321	• Dammtätning	• Dust seal		
A24	1				694090	Packningssats- motor	Gasket set- engine		
A25	1				694091	Packningssats- ventil	Gasket set- valve		