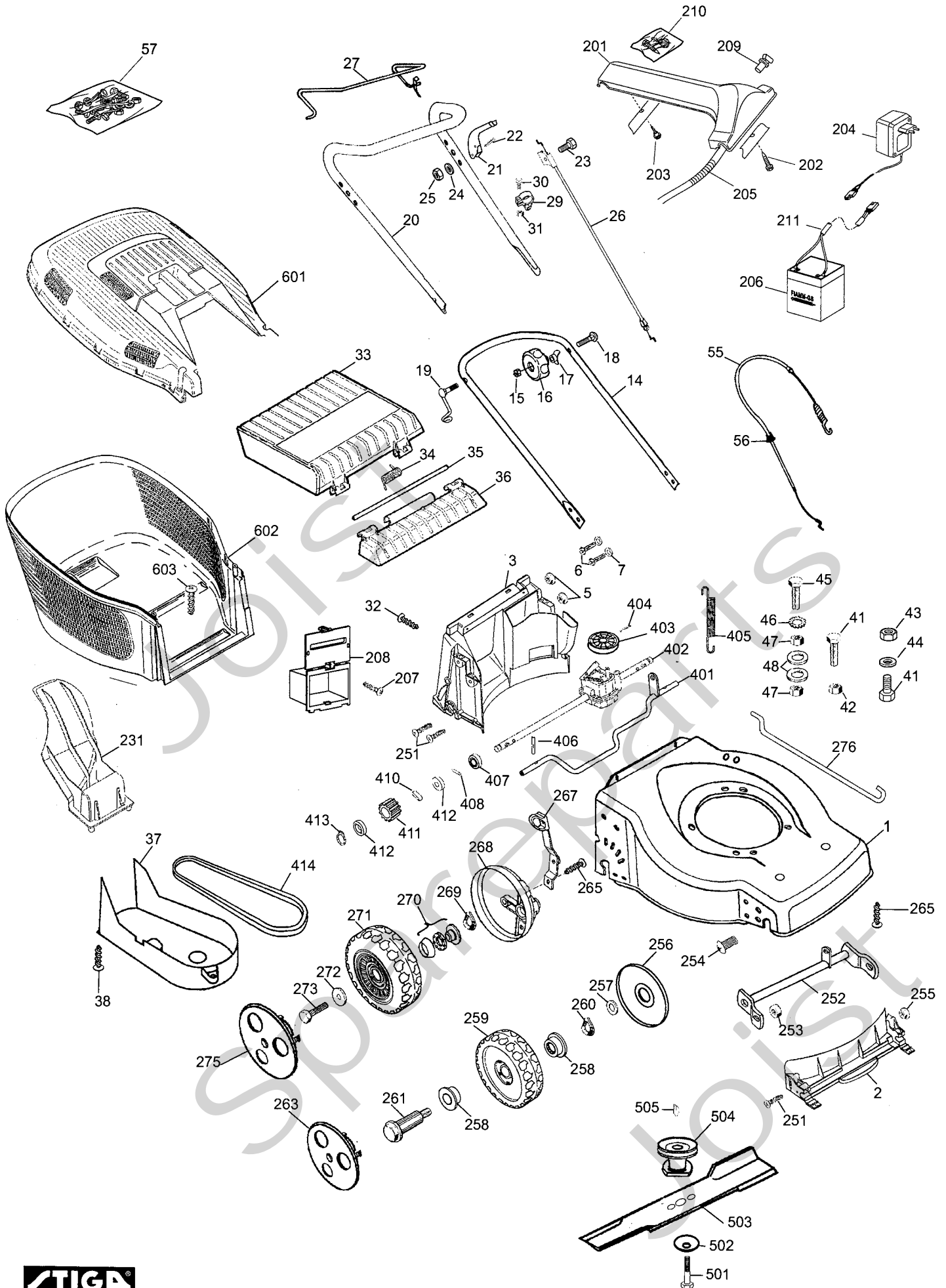


Genuine Spare Parts



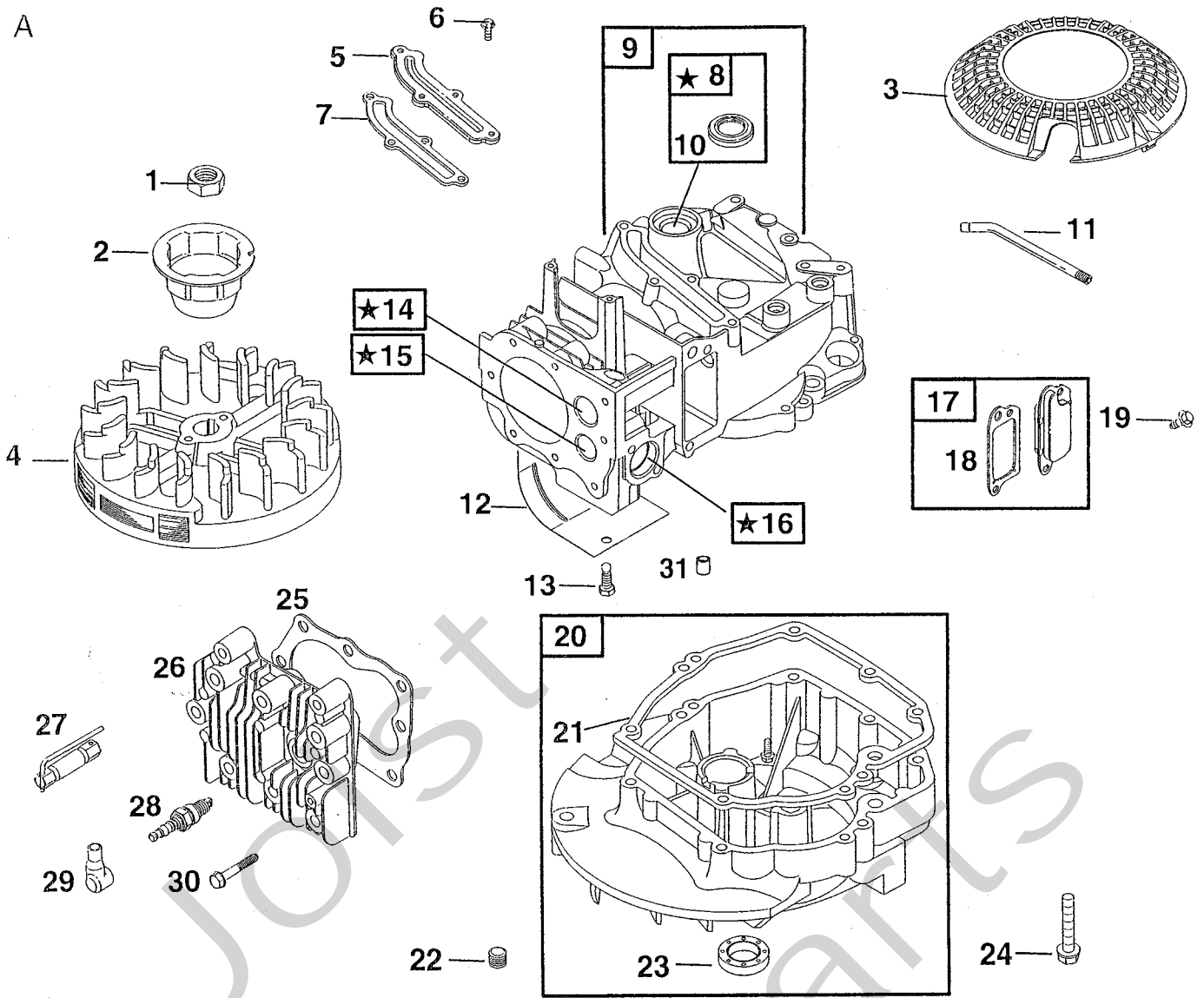
Spareparts
Joist

| Utgåva Issue | | Bildnr Picture No | | COLLECTOR 45SE COMBI | COLLECTOR 45SE COMBI | Sida Page | | |
|-----------------|----------------|----------------------|--|----------------------|--------------------------|----------------------------|-------------|---------------------|
| 2004-12 | | 1720 | | | | 118 | | |
| Pos. Fig. | Antal/Quantity | | | Art nr Part No | Benämning | Description | Sats Kit | Anmärkning Notes |
| | 4398 -20 | | | | | | | |
| | 1 | 1 | | 1117-1313-01 | Kåpa-gul | Deck-yellow | | |
| | 2 | 1 | | 1117-3007-01 | Ledplåt-främre | Baffle-front | | |
| | 3 | 1 | | 1117-3008-01 | Ledplåt-bakre | Baffle-rear | | |
| | 5 | 4 | | 1117-1131-01 | Flänsmutter | Nut | | |
| | 6 | 4 | | 1117-1364-01 | Skruv | Screw | | |
| | 7 | 4 | | 9699-0028-02 | Planbricka | Flat washer | | |
| X | 14 | 1 | | 1136-1411-01 | Styre-underdel | Handlebar-lower part | | |
| | 15 | 2 | | 9799-0831-02 | Mutter | Nut | | |
| | 16 | 2 | | 1117-3194-01 | Lås ratt | Locking knob | | |
| | 17 | 2 | | 1136-0693-01 | Bricka | Washer | | |
| | 18 | 1 | | 1136-0620-01 | Skruv | Screw | | |
| | 19 | 1 | | 1136-0747-01 | Skruv m. ögla | Screw w. loop | | |
| X | 20 | 1 | | 1136-1414-01 | Styre-överdel | Handlebar-upper part | | |
| | 21 | 1 | | 1117-3221-01 | Manöverbygel | OPC lever | | |
| | 22 | 1 | | 9595-0258-00 | Spännstift | Locating pin | | |
| | 23 | 1 | | 9997-0635-12 | Skruv | Screw | | |
| | 24 | 1 | | 9699-0025-02 | Planbricka | Washer | | |
| | 25 | 1 | | 9799-0631-02 | Mutter | Nut | | |
| X | 26 | 1 | | 1136-1512-01 | Motorbromswire | Engine brake cable | | |
| X | 27 | 1 | | 1136-1409-01 | Manöverbygel | Control lever | | |
| | 29 | 1 | | 1117-1114-01 | Wirehållare | Support | | |
| | 30 | 1 | | 9865-0616-16 | Skruv | Screw | | |
| | 31 | 1 | | 9799-0631-02 | Mutter | Nut | | |
| | 32 | 2 | | 9836-9516-12 | Skruv | Screw | | |
| | 33 | 1 | | 1117-1156-01 | Lucka-gul | Rear flap-yellow | | |
| | 34 | 1 | | 1117-1126-01 | Fjäder | Spring-rear flap | | |
| | 35 | 1 | | 1117-1143-01 | Axel | Shaft | | |
| | 36 | 1 | | 1117-1155-01 | Luckinfästning-gul | Flap holder-yellow | | |
| | 37 | 1 | | 1117-1147-01 | Transmissionskåpa | Transmission cap | | |
| | 38 | 2 | | 9836-9516-12 | Skruv | Screw | | |
| | 41 | 2 | | 9997-0830-16 | Skruv | Screw | | |
| | 42 | 1 | | 9739-0831-22 | Mutter | Nut | | |
| | 43 | 1 | | 9716-0831-02 | Mutter | Nut | | |
| | 44 | 1 | | 9699-0028-02 | Planbricka | Flat washer | | |
| | 45 | 1 | | 1117-1268-01 | Bult | Bolt | | |
| | 46 | 1 | | 9678-0009-02 | Låsbricka | Lock washer | | |
| | 47 | 2 | | 9799-0831-02 | Mutter | Nut | | |
| | 48 | 2 | | 9699-0062-02 | Planbricka | Flat washer | | |
| X | 55 | 1 | | 1136-1407-01 | Kopplingswire | Clutch cable | | |
| X | 56 | 1 | | 1136-1399-01 | Kabelhylsa | Cable protector | | |
| X | 57 | 1 | | 1136-1415-01 | Mont.sats | Assy kit | | |
| | 201 | 1 | | 1136-1336-01 | Panel | Dashboard | | |
| | 202 | 1 | | 9847-8038-16 | Skruv | Screw | | |
| | 203 | 1 | | 1136-0708-01 | Skruv | Screw | | |
| | 204 | 1 | | 1136-1321-01 | Batteriladdare | Charger | | |
| | 205 | 1 | | 1136-0625-01 | Startkabel | Start cable | | |
| X | 206 | 1 | | 1136-1398-01 | Batteri | Battery | | |
| | 207 | 1 | | 9836-9216-12 | Skruv | Screw | | |
| | 208 | 1 | | 1111-3339-01 | Batteribox | Battery holder | | |
| | 209 | 1 | | 1136-0627-01 | Tändningslås | Switch | | |
| | 210 | 1 | | 1136-0775-01 | Skruvsats-panel | Screw set-dashboard | | |
| X | 211 | 1 | | 1136-1401-01 | Batterikabel | Battery cable | | |
| | 231 | 1 | | 1117-3001-01 | Mulcherplugg | Mulch plug | | |
| | 251 | 6 | | 9836-9516-12 | Skruv | Screw | | |
| | 252 | 1 | | 1117-1334-01 | Framaxel | Front shaft | | |
| | 253 | 2 | | 9716-0831-02 | Mutter | Nut | | |
| | 254 | 2 | | 9939-0816-16 | Skruv | Screw | | |
| | 255 | 2 | | 1117-1131-01 | Flänsmutter | Nut | | |
| | 256 | 2 | | 1117-1161-01 | Hjulsköld | Wheel protection | | |
| | 257 | 2 | | 9699-0078-02 | Bricka | Washer | | |
| | 258 | 4 | | 9549-0053-00 | Kullager | Ball bearing | | |
| | 259 | 2 | | 1111-3163-01 | Hjul | Wheel | | |
| | 260 | 2 | | 9694-0003-00 | Bricka | Washer | | |

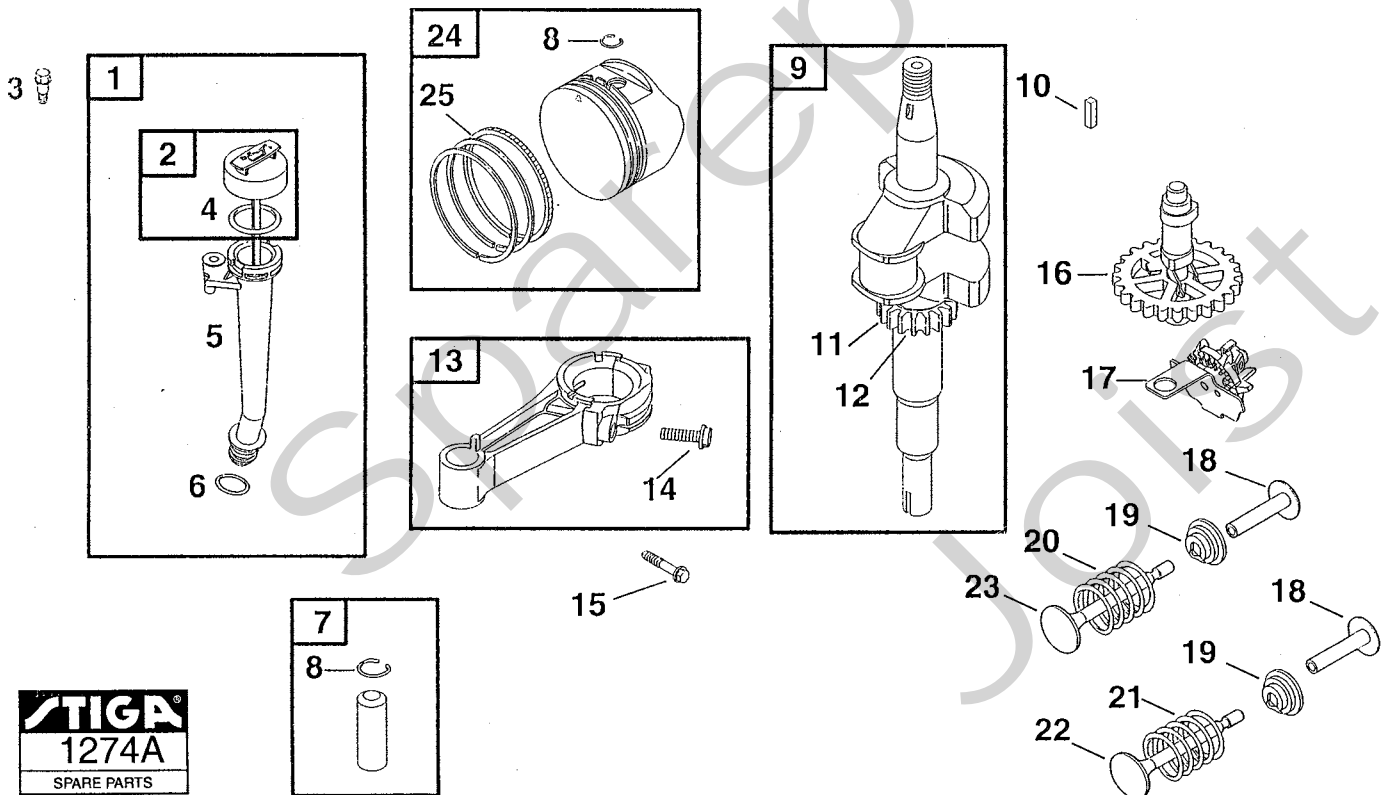


| Utgåva Issue | | Bildnr Picture No | | COLLECTOR 45SE COMBI | COLLECTOR 45SE COMBI | Sida Page | | |
|-----------------|----------------|----------------------|--|----------------------|----------------------------|------------------------------|-------------|---------------------|
| 2004-12 | | 1720 | | | | 120 | | |
| Pos. Fig. | Antal/Quantity | | | Art nr Part No | Benämning | Description | Sats Kit | Anmärkning Notes |
| | 4398 -20 | | | | | | | |
| X 261 | 2 | | | 1111-3164-01 | Hjulbult | Wheel axle bolt | | |
| 263 | 2 | | | 1111-2804-01 | Navkapsel- gul | Hub cap- yellow | | |
| 265 | 4 | | | 9836-9512-12 | Skruv | Screw | | |
| 267 | 1 | | | 1117-1174-01 | Höjdställningsspak | Height adjust lever | | |
| 268 | 2 | | | 1117-3256-01 | Hjulsköld | Wheel protection cap | | |
| 269 | 2 | | | 9694-0003-00 | Bricka | Washer | | |
| 270 | 4 | | | 1111-3296-01 | Kullager | Ball bearing | | |
| 271 | 2 | | | 1111-2663-01 | Hjul | Wheel | | |
| 272 | 2 | | | 9699-0085-02 | Planbricka | Flat washer | | |
| X 273 | 2 | | | 1136-1397-01 | Skruv | Screw | | |
| 275 | 2 | | | 1111-2815-01 | Navkapsel- gul | Hub cap- yellow | | |
| 276 | 1 | | | 1117-1130-01 | Höjdställningsstag | Connection rod | | |
| X 401 | 1 | | | 1117-1173-01 | Bakaxel | Shaft- backside | | |
| X 402 | 1 | | | 1136-1408-01 | Transmission kpl | Transmission assy | | |
| 403 | 1 | | | 1117-3018-01 | Remskiva | Pulley | | |
| 404 | 1 | | | 1111-2382-01 | Cyl.pinne | Pin | | |
| 405 | 1 | | | 1117-1120-01 | Fjäder | Spring | | |
| 406 | 2 | | | 9595-0212-00 | Spännstift | Locating pin | | |
| 407 | 2 | | | 9549-0053-00 | Kullager | Ball bearing | | |
| 408 | 2 | | | 9591-0011-00 | Stift | Pin | | |
| 410 | 2 | | | 1111-3256-01 | Drivkil | Drive key | | |
| 411 | 2 | | | 1111-3075-01 | Kuggjul- plasthjul | Pinion- plastic wheel | | |
| 412 | 4 | | | 1111-2830-01 | Stödbricka | Support washer | | |
| 413 | 2 | | | 1117-1083-01 | Låsring | Safety ring | | |
| 414 | 1 | | | 1111-9114-01 | Drivrem | Drive belt | | |
| 501 | 1 | | | 1136-0616-01 | Bult | Screw | | |
| 502 | 1 | | | 1117-1065-01 | Tallriksbricka | Spring washer | | |
| 503 | 1 | | | 1111-9116-01 | Kniv | Blade | | |
| 504 | 1 | | | 1111-9074-01 | Knivfäste | Blade holder | | |
| 505 | 1 | | | 9600-0014-00 | Kil | Key | | |
| 601 | 1 | | | 1117-1157-01 | Uppsamlarlock- gul | Grassbag cover- yellow | | |
| 602 | 1 | | | 1117-1218-01 | Uppsamlare- underdel | Lower grass bag | | |
| 603 | 2 | | | 9836-9516-12 | Skruv | Screw | | |

A



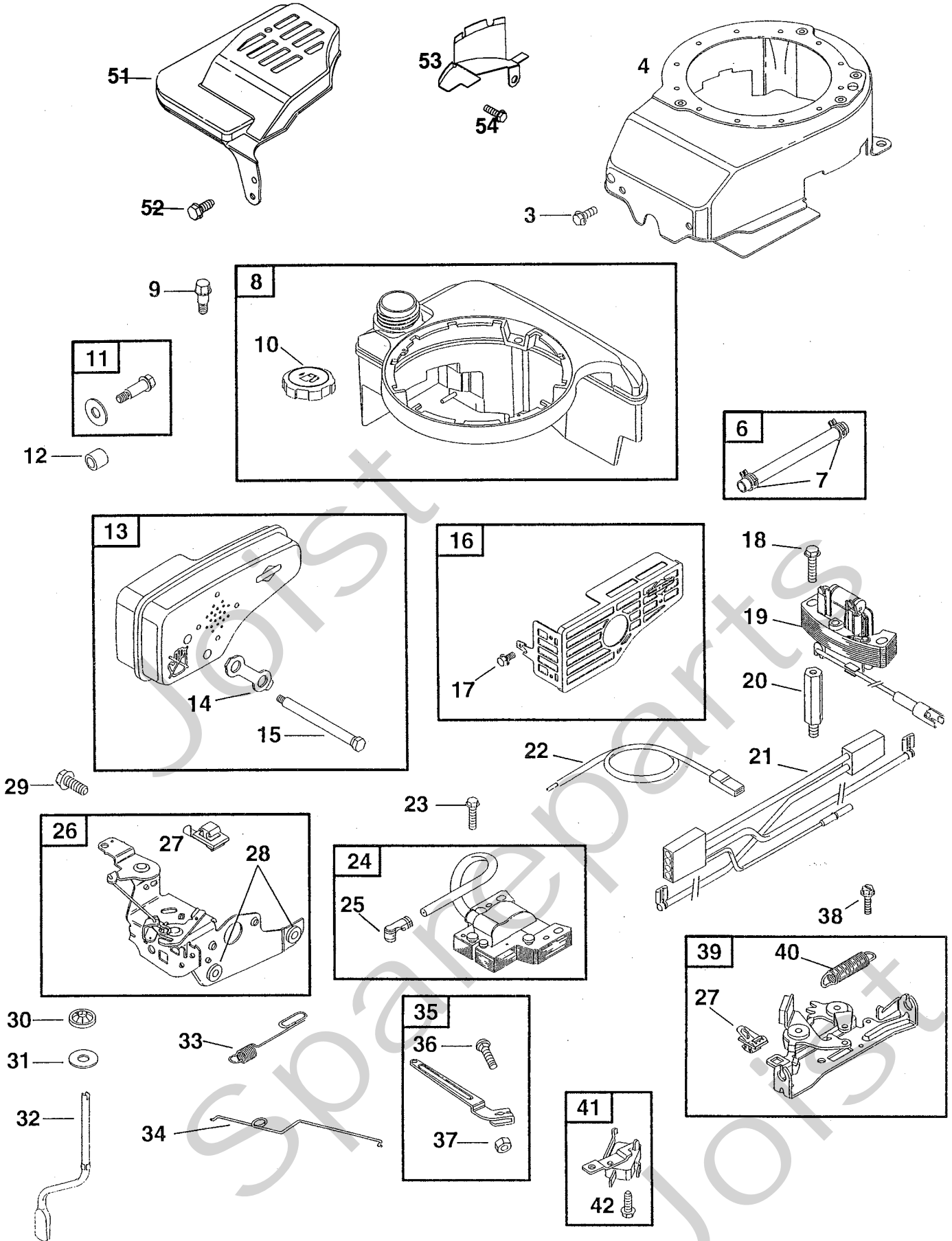
B



STIGA
1274A
SPARE PARTS

| Utgåva Issue | | Bildnr Picture No | | BRIGGS & STRATTON 127707, 12F702 CYLINDER VEVAXEL | | BRIGGS & STRATTON 127707, 12F702 CYLINDER CRANKSHAFT | | Sida Page |
|-----------------|---------------------|----------------------|---------------------|--|-------------------------------|---|-------------|---------------------|
| 2004-12 | | 1274A | | | | | | 412 |
| Pos. Fig. | Antal/Quantity | | | Art nr Part No | Benämning | Description | Sats Kit | Anmärkning Notes |
| | 127 707- 1736 | 127 707- 1792 | 12F 702- 1766 | | | | | |
| A01 | 1 | 1 | 1 | 690662 | Mutter..... | Flywheel nut..... | | |
| A02 | 1 | 1 | 1 | 695161 | Svånghjulskopp..... | Flywheel cup..... | | |
| A03 | 1 | 1 | 1 | 691919 | Skydd..... | Rewind guard..... | | |
| A04 | 1 | 1 | | 691987 | Svånghjul..... | Flywheel..... | | |
| A04 | | | 1 | 692315 | Svånghjul..... | Flywheel..... | | |
| A05 | | 1 | | 692342 | Lock..... | Cover..... | | |
| X A05 | 1 | | 1 | 697734 | Lock..... | Cover..... | | |
| A06 | 4 | 4 | 4 | 690345 | Skruv..... | Screw..... | | |
| A07 | 1 | 1 | 1 | 691879 | Packning..... | Gasket..... | | |
| A08 | 1 | 1 | 1 | 399269 | • Bussning..... | • Bushing..... | | |
| A09 | 1 | 1 | 1 | 697322 | Cylinder kpl..... | Cylinder assy..... | | |
| A10 | 1 | 1 | 1 | 299819 | • Tätningring..... | • Oil seal..... | | |
| A11 | 1 | 1 | 1 | 691781 | Ventilationsrör..... | Breather tube..... | | |
| A12 | 1 | 1 | 1 | 690450 | Cylinderskydd..... | Cylinder shield..... | | |
| A13 | 1 | 1 | 1 | 690345 | Skruv..... | Screw..... | | |
| A14 | 1 | 1 | 1 | 691155 | • Ventilåsa- insug..... | • Valve seat- intake..... | | |
| A15 | 1 | 1 | 1 | 690380 | • Ventilåsa- utblås..... | • Valve seat- exhaust..... | | |
| A16 | 1 | 1 | 1 | 262001 | • Ventilstyrning- utblås..... | • Valve guide- exhaust..... | | |
| A16 | 1 | 1 | 1 | 63709 | • Ventilstyrning- insug..... | • Guide- intake valve..... | | |
| A17 | 1 | 1 | 1 | 695250 | Vevhusventilation..... | Breather..... | | |
| A18 | 1 | 1 | 1 | 696125 | • Packning..... | • Gasket..... | | |
| A19 | 2 | 2 | 2 | 691125 | Skruv..... | Screw..... | | |
| A20 | 1 | 1 | 1 | 493279 | Vevhus..... | Engine sump..... | | |
| A21 | 1 | 1 | 1 | 692232 | • Packning..... | • Gasket..... | | |
| A22 | 1 | 1 | 1 | 691680 | Oljeavtappningsplugg..... | Oil drain plug..... | | |
| A23 | 1 | 1 | 1 | 399781 | • Tätningring..... | • Oil seal..... | | |
| A24 | 7 | 7 | 7 | 691092 | Skruv..... | Screw..... | | |
| A25 | 1 | 1 | 1 | 692249 | Packning..... | Gasket..... | | |
| A26 | 1 | 1 | 1 | 691160 | Topplöck..... | Cylinder head..... | | |
| A27 | 1 | 1 | 1 | 1111-9029-01 | Tändstiftsnyckel..... | Spark plug wrench..... | | |
| A28 | 1 | 1 | 1 | 9400-0225-00 | Tändstift..... | Spark plug..... | | Champion J19LM |
| A29 | 1 | 1 | 1 | 66538 | Tändstiftsskydd..... | Spark plug elbow..... | | |
| A30 | 8 | 8 | 8 | 690912 | Skruv..... | Screw..... | | |
| A31 | 2 | 2 | | 690959 | Tapp..... | Locating pin..... | | |
| B01 | 1 | 1 | 1 | 692017 | Oljesticka kpl..... | Oil dipstick assy..... | | |
| B02 | 1 | 1 | 1 | 495264 | • Oljesticka..... | • Oil dipstick..... | | |
| B03 | 1 | 1 | 1 | 690940 | Skruv..... | Screw..... | | |
| B04 | 1 | 1 | 1 | 691031 | • O-ring..... | • O-ring..... | | |
| B05 | 1 | 1 | 1 | 495265 | • Oljepåfyllningsrör..... | • Oil filler tube..... | | |
| B06 | 1 | 1 | 1 | 692296 | • Tätningring..... | • Tube seal..... | | |
| B07 | 1 | 1 | 1 | 499423 | Kolvbult..... | Piston pin..... | | |
| B08 | 2 | 2 | 2 | 691866 | • Låsring..... | • Lock ring..... | | |
| B09 | 1 | 1 | 1 | 691452 | Vevaxel..... | Crankshaft..... | | |
| B10 | 1 | 1 | 1 | 222698 | Kil..... | Key..... | | |
| B11 | 1 | 1 | 1 | 691830 | • Drev..... | • Timing gear..... | | |
| B12 | 1 | 1 | 1 | 690979 | • Kil..... | • Timing key..... | | |
| B13 | 1 | 1 | 1 | 499424 | Vevstake..... | Connecting rod..... | | |
| B14 | 1 | 1 | 1 | 691664 | • Skruv..... | • Screw..... | | |
| B15 | 1 | 1 | 1 | 695759 | Skruv..... | Screw..... | | |
| B16 | 1 | 1 | 1 | 691449 | Kamaxel..... | Camshaft..... | | |
| B17 | 1 | 1 | 1 | 691997 | Oljeslungare..... | Oil slinger..... | | |
| B18 | 2 | 2 | 2 | 690548 | Ventilyftare..... | Valve tappet..... | | |
| B19 | 2 | 2 | 2 | 692194 | Ventilhållare..... | Valve retainer..... | | |
| B20 | 1 | 1 | 1 | 691270 | Ventilfjäder..... | Valve spring..... | | |
| B21 | 1 | 1 | 1 | 691270 | Ventilfjäder..... | Valve spring..... | | |
| B22 | 1 | 1 | 1 | 262651 | Utblåsningsventil..... | Exhaust valve..... | | |
| B23 | 1 | 1 | 1 | 262652 | Insugningsventil..... | Intake valve..... | | |
| B24 | 1 | 1 | 1 | 499429 | Kolv kpl..... | Piston assy..... | | Standard |
| B24 | 1 | 1 | 1 | 499431 | Kolv kpl..... | Piston assy..... | | .020" oversize |
| B25 | 1 | 1 | 1 | 499425 | • Kolvringsatts..... | • Ring set..... | | Standard |
| B25 | 1 | 1 | 1 | 499427 | • Kolvringsatts..... | • Ring set..... | | .020" oversize |

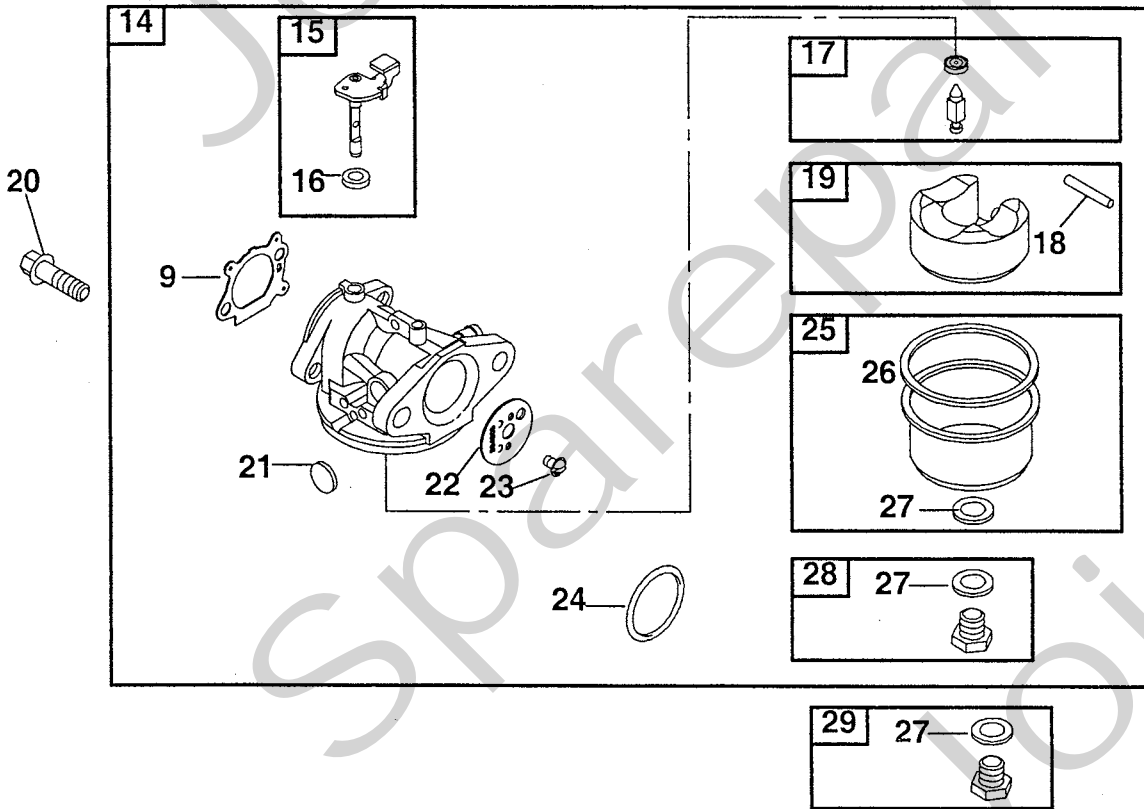
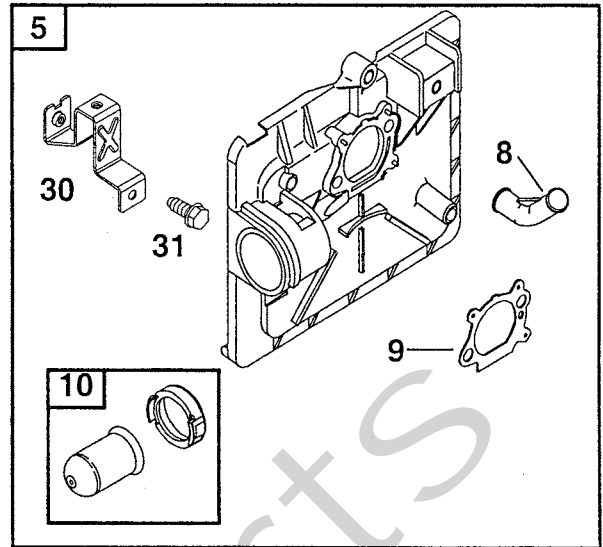
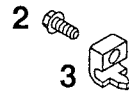
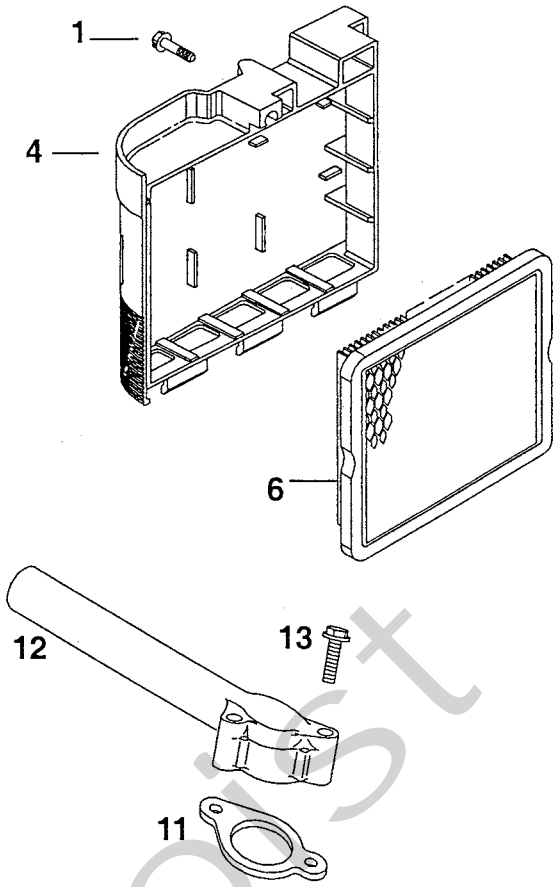
A



| Utgåva Issue | | Bildnr Picture No | | BRIGGS & STRATTON 127707, 12F702 BRÄNSLETANK REGULATOR | | BRIGGS & STRATTON 127707, 12F702 FUEL TANK GOVERNOR | | Sida Page 414 | |
|-----------------|---------------------|----------------------|---------------------|---|--------------------------|--|-------------|---------------------|--|
| Pos. Fig. | Antal/Quantity | | | Art nr Part No | Benämning | Description | Sats Kit | Anmärkning Notes | |
| | 127 707- 1736 | 127 707- 1792 | 12F 702- 1766 | | | | | | |
| A03 | 4 | 4 | 4 | 691108 | Skruv | Screw | | | |
| A04 | 1 | 1 | 1 | 493293 | Fläkthus | Blower housing | | | |
| A06 | | | 1 | 691050 | Bränsleslang | Fuel line | | | |
| A06 | 1 | 1 | | 691371 | Bränsleslang | Fuel line | | | |
| A07 | 2 | 2 | 2 | 95162 | Slangklämma | Hose clamp | | | |
| A08 | 1 | 1 | 1 | 695887 | Bränsletank | Fuel tank | | | |
| A09 | 2 | 2 | 2 | 690940 | Skruv | Screw | | | |
| A10 | 1 | 1 | 1 | 397974 | • Tanklock | • Fuel cap | | | |
| A11 | 1 | 1 | 1 | 692311 | Skruv/bricka | Screw/washer | | | |
| A12 | 1 | 1 | 1 | 692294 | Distans | Spacer | | | |
| A13 | 1 | 1 | 1 | 496106 | Ljuddämpare | Muffler | | | |
| A14 | 1 | 1 | 1 | 691740 | • Låsbleck | • Screw lock | | | |
| A15 | 2 | 2 | 2 | 691340 | • Skruv | • Screw | | | |
| A16 | 1 | 1 | 1 | 499034 | Skydd | Guard | | | |
| A17 | 2 | 2 | 2 | 690664 | • Skruv | • Screw | | | |
| A18 | 2 | 2 | | 691648 | Skruv | Screw | | | |
| A19 | 1 | 1 | | 691991 | Generator | Alternator | | | |
| A20 | 2 | 2 | | 691094 | Pinnbult | Stud | | | |
| A21 | 1 | 1 | | 696547 | Kablage | Wiring harness | | | |
| A22 | 1 | 1 | 1 | 692390 | Stoppkabel | Stop wire | | | |
| A23 | 2 | 2 | 2 | 691061 | Skruv | Screw | | | |
| A24 | 1 | 1 | 1 | 802574 | Tändsystem | Magneto armature | | | |
| A25 | 1 | 1 | 1 | 493880 | • Anslutningshylsa | • Terminal | | | |
| A26 | 1 | 1 | 1 | 692031 | Reglageplåt | Control bracket | | | |
| A27 | 2 | 2 | 2 | 692310 | • Stoppkontakt | • Stop switch | | | |
| A28 | 1 | 1 | 1 | 493823 | • Distans | • Spacer | | | |
| A29 | 2 | 2 | 2 | 690877 | Skruv | Screw | | | |
| A30 | 1 | 1 | 1 | 690340 | Hållare | Retainer | | | |
| A31 | 1 | 1 | 1 | 690272 | Bricka | Washer | | | |
| A32 | 1 | 1 | 1 | 698801 | Regulatoraxel | Governor crank | | | |
| A33 | 1 | | 1 | 691292 | Regulatorfjäder | Governor spring | | | |
| A33 | | 1 | | 691852 | Regulatorfjäder | Governor spring | | | |
| A34 | 1 | 1 | 1 | 691829 | Regulatorlänk | Governor link | | | |
| A35 | 1 | 1 | 1 | 690783 | Regulatorarm | Govern. control lever | | | |
| A36 | | | 1 | 691119 | Bult | Bolt | | | |
| A36 | 1 | 1 | | 92613 | • Skruv | • Screw | | | |
| A37 | 1 | 1 | 1 | 691251 | • Mutter | • Nut | | | |
| A38 | 2 | 2 | 2 | 691648 | Skruv | Screw | | | |
| A39 | 1 | 1 | 1 | 691994 | Broms | Brake | | | |
| A40 | 1 | 1 | 1 | 691831 | • Bromsfjäder | • Brake spring | | | |
| A41 | 1 | 1 | | 499421 | Brytare | Switch | | | |
| A42 | 1 | 1 | | 691627 | • Skruv | • Screw | | | |
| A51 | | | 1 | 691757 | Lock | Control cover | | | |
| A52 | | | 1 | 690664 | Skruv | Screw | | | |
| A53 | | | 1 | 694086 | Svånghjulsskydd | Flywheel guard | | | |
| A54 | | | 1 | 691108 | Skruv | Screw | | | |

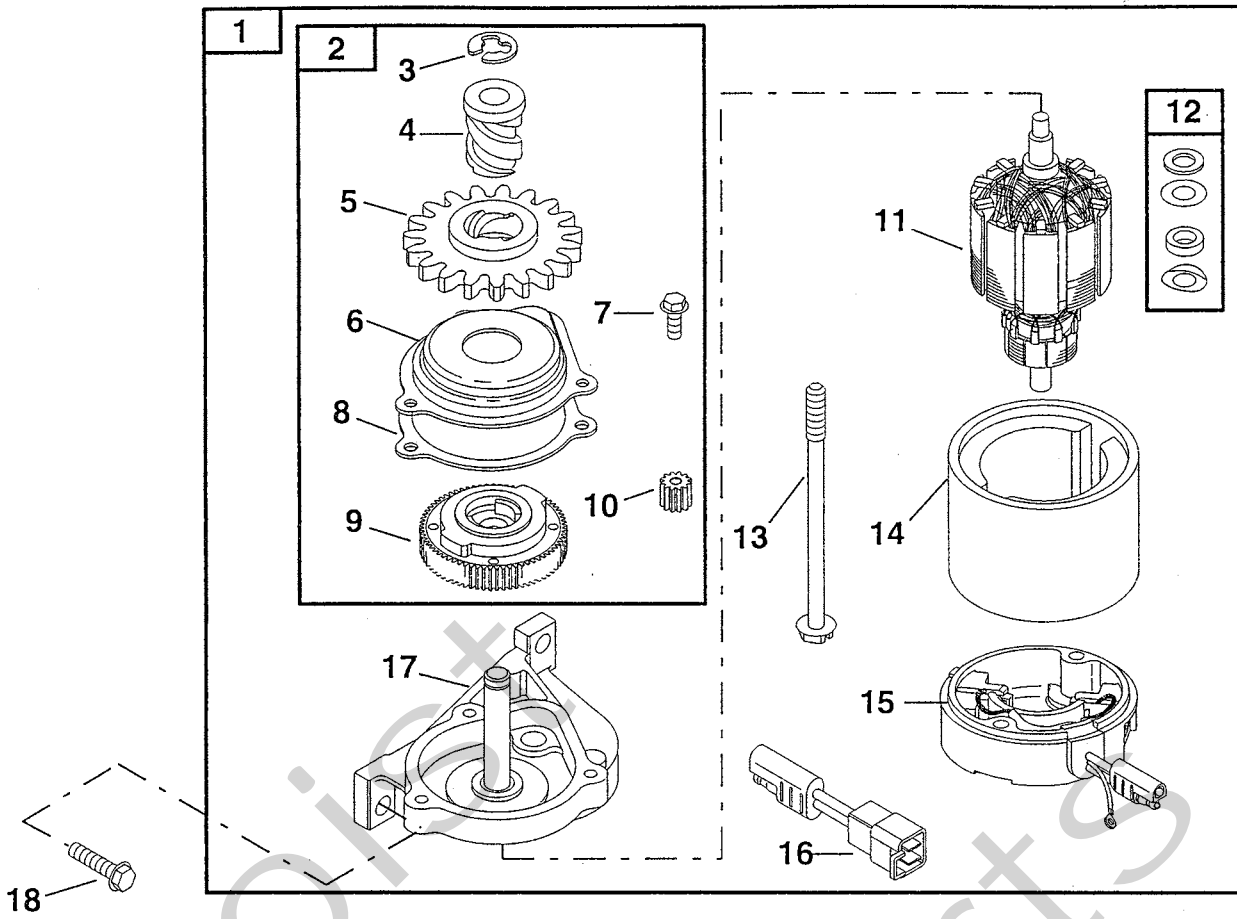
2 st/includes 2

A

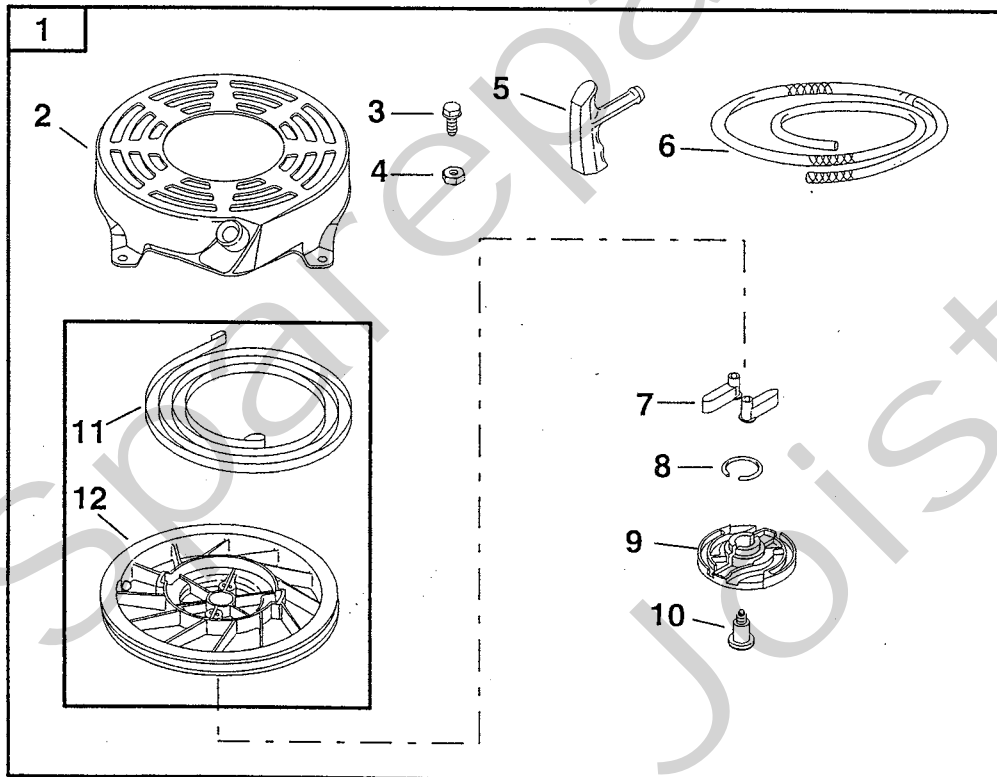


| Utgåva Issue | | Bildnr Picture No | | BRIGGS & STRATTON 127707, 12F702 LUFTFILTER FÖRGASARE | | BRIGGS & STRATTON 127707, 12F702 AIR CLEANER CARBURETTOR | | Sida Page | |
|-----------------|---------------------|----------------------|---------------------|--|-------------------|---|-------------------------|--------------|---------------------|
| 2004- 12 | | 1276A | | | | | | 416 | |
| Pos. Fig. | Antal/Quantity | | | | Art nr Part No | Benämning | Description | Sats Kit | Anmärkning Notes |
| | 127 707- 1736 | 127 707- 1792 | 12F 702- 1766 | | | | | | |
| A01 | 1 | 1 | 1 | | 690670 | Skruv | Screw | | |
| A02 | 1 | 1 | | | 691044 | Skruv | Screw | | |
| A03 | 1 | 1 | | | 690798 | Wireklämma | Casing clamp | | |
| A04 | 1 | 1 | 1 | | 692298 | Luftrenarlock | Air cleaner cover | | |
| A05 | 1 | 1 | 1 | | 496116 | Luftrenarfäste | Air cleaner base | | |
| A06 | 1 | 1 | 1 | | 491588 | Pappersfilter | Air filter | | |
| A07 | 2 | 2 | 2 | | 692523 | Skruv | Screw | | |
| A08 | 1 | 1 | 1 | | 691923 | • Hylsa | • Grommet | | |
| A09 | 1 | 1 | 1 | | 272653 | • Packning | • Gasket | | |
| A10 | 1 | 1 | 1 | | 694395 | • Primer | • Primer | | |
| A11 | 1 | 1 | 1 | | 272199 | Packning | Gasket | | |
| A12 | 1 | 1 | 1 | | 497465 | Insugningsrör | Intake pipe | | |
| A13 | 2 | 2 | 2 | | 691650 | Skruv | Screw | | |
| A14 | 1 | 1 | 1 | | 498170 | Förgasare kpl | Carburettor assy | | |
| A15 | 1 | 1 | 1 | | 696565 | • Spjällaxel | • Throttle shaft | | |
| A16 | 1 | 1 | 1 | | 691321 | • Dammtätning | • Dust seal | | |
| A17 | 1 | 1 | 1 | | 398188 | • Bränslenål | • Inlet valve | | |
| A18 | 1 | 1 | 1 | | 691242 | • Flottöraxel | • Float hinge pin | | |
| A19 | 1 | 1 | 1 | | 398187 | • Flottör | • Float | | |
| A20 | 2 | 2 | 2 | | 692524 | Skruv | Screw | | |
| A21 | 1 | 1 | 1 | | 694468 | • Expansionsbricka | • Welch plug | | |
| A22 | 1 | 1 | | | 691203 | • Gasspjäll | • Throttle valve | | |
| A22 | 1 | | 1 | | 696564 | • Gasspjäll | • Throttle valve | | |
| A23 | 1 | 1 | 1 | | 691636 | • Skruv | • Screw | | |
| A24 | 1 | 1 | 1 | | 270344 | • Tätning | • Seal | | |
| A25 | 1 | 1 | 1 | | 493640 | • Flottörhus | • Bowl | | |
| A26 | 1 | 1 | 1 | | 693981 | • Packning | • Gasket | | |
| A27 | 1 | 1 | 1 | | 271716 | • Tätningsbricka | • Sealing washer | | |
| A28 | | 1 | | | 494870 | • Huvudmunstycke | • Main jet | | |
| A28 | 1 | | 1 | | 498978 | • Huvudmunstycke | • Main jet | | Standard |
| A29 | | | 1 | | 494870 | Huvudmunstycke | Main jet | | Standard |
| A29 | | 1 | | | 497315 | Huvudmunstycke | Main jet | | High altiyude |
| A30 | 1 | 1 | 1 | | 691753 | • Fäste | • Bracket | | High altitude |
| A31 | 1 | 1 | 1 | | 691669 | • Skruv | • Screw | | |

A

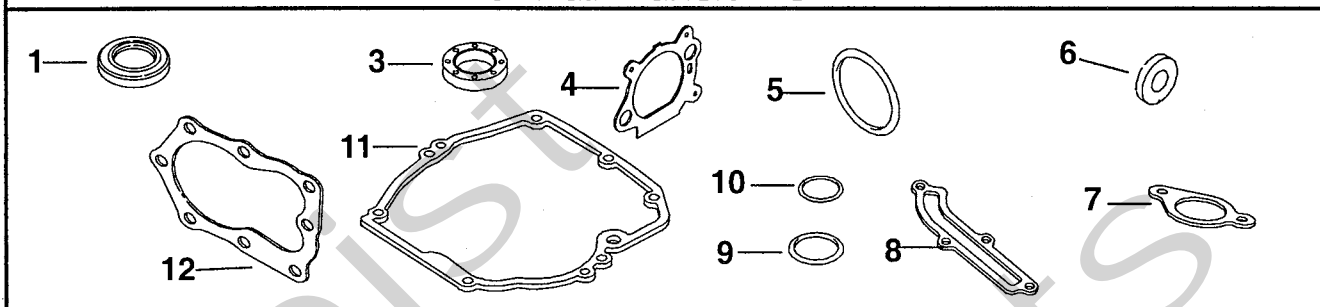


B

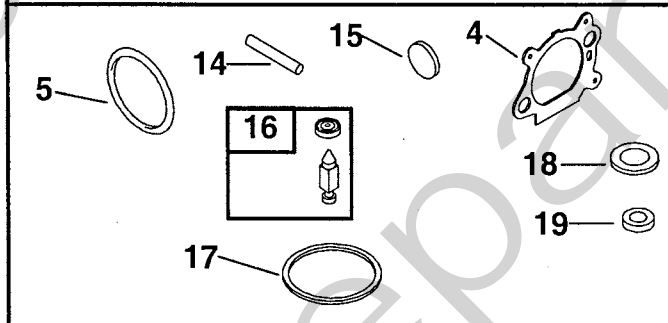


| Utgåva Issue 2004-12 | | Bildnr Picture No 1277 | | | BRIGGS & STRATTON 127707, 12F702 STARTMOTOR SNÖRSTART | | BRIGGS & STRATTON 127707, 12F702 STARTER MOTOR REWIND STARTER | | Sida Page 418 | |
|----------------------------|---------------------|------------------------------|---------------------|-------------------|--|-----------------------------|--|---------------------|---------------------|--|
| Pos. Fig. | Antal/Quantity | | | Art nr Part No | Benämning | Description | Sats Kit | Anmärkning Notes | | |
| | 127 707- 1736 | 127 707- 1792 | 12F 702- 1766 | | | | | | | |
| A01 | 1 | 1 | | 695550 | Startmotor kpl | Starter motor assy | | | | |
| A02 | 1 | 1 | | 494147 | • Drev kpl | • Drive kit | | | | |
| A03 | 1 | 1 | | 93941 | •• Låsring | •• Retainer | | | | |
| A04 | 1 | 1 | | 691325 | •• Snäckdrev | •• Starter spline | | | | |
| A05 | 1 | 1 | | 691918 | •• Drev | •• Pinion gear | | | | |
| A06 | 1 | 1 | | 692341 | •• Lock | •• Cover | | | | |
| A07 | 3 | 3 | | 690345 | •• Skruv | •• Screw | | | | |
| A08 | 1 | 1 | | 692352 | •• Packning | •• Gasket | | | | |
| A09 | 1 | 1 | | 692358 | •• Koppling | •• Drive clutch | | | | |
| A10 | 1 | 1 | | 691269 | •• Drev | •• Pinion gear | | | | |
| A11 | 1 | 1 | | 690786 | • Rotor | • Starter armature | | | | |
| A12 | 1 | 1 | | 492919 | • Brickor | • Washer set | | | | |
| A13 | 2 | 2 | | 692327 | • Bult | • Bolt | | | | |
| A14 | 1 | 1 | | 695266 | • Starthus | • Starter housing | | | | |
| A15 | 1 | 1 | | 695267 | • Bottenkåpa | • End cap | | | | |
| A16 | 1 | 1 | | 695268 | • Kabeladapter | • Wire adapter | | | | |
| A17 | 1 | 1 | | 690782 | • Lock | • Drive cap | | | | |
| A18 | 2 | 2 | | 691127 | Skruv | Screw | | | | |
| B01 | 1 | 1 | 1 | 497680 | Start kpl | Starter assy | | | | |
| B02 | 1 | 1 | 1 | 691421 | • Starthus | • Starter housing | | | | |
| B03 | 4 | 4 | 4 | 690837 | • Skruv | • Screw | | | | |
| B04 | 4 | 4 | 4 | 690800 | • Mutter | • Nut | | | | |
| B05 | 1 | 1 | 1 | 281434 | • Starthandtag | • Handle | | | | |
| B06 | 1 | 1 | | 692259 | • Startsnöre | • Starter rope | | | | |
| X B06 | | | 1 | 697316 | • Startsnöre | • Starter rope | | | | |
| B07 | 2 | 2 | 2 | 281505 | • Startklo | • Starter pawl | | | | |
| B08 | 1 | 1 | 1 | 691855 | • Friktionsfjäder | • Friction spring | | | | |
| B09 | 1 | 1 | 1 | 692299 | • Spärrplatta | • Pawl friction plate | | | | |
| B10 | 1 | 1 | 1 | 691696 | • Skruv | • Screw | | | | |
| B11 | 1 | 1 | 1 | 498144 | • Linhjul m. fjäder | • Pulley/spring | | | | |
| B12 | 1 | 1 | 1 | 498144 | • Linhjul m. fjäder | • Pulley/spring | | | | |

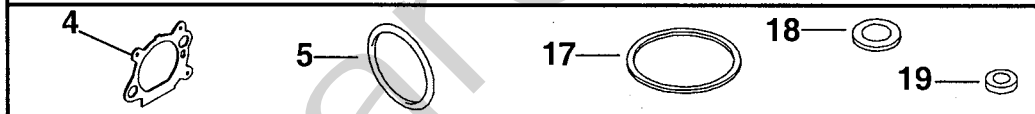
23 ENGINE GASKET SET



21 CARBURETOR OVERHAUL KIT



22 CARBURETOR GASKET SET



| Utgåva Issue 2004-12 | | Bildnr Picture No 1278A | | BRIGGS & STRATTON 127707, 12F702 PACKNINGSSATS | | BRIGGS & STRATTON 127707, 12F702 GASKET SET | | Sida Page 420 | |
|----------------------------|---------------------|-------------------------------|---------------------|--|--------------------------|---|-------------|---------------------|--|
| Pos. Fig. | Antal/Quantity | | | Art nr Part No | Benämning | Description | Sats Kit | Anmärkning Notes | |
| | 127 707- 1736 | 127 707- 1792 | 12F 702- 1766 | | | | | | |
| A01 | 1 | 1 | 1 | 299819 | • Tätningsring | • Oil seal | | | |
| A03 | 1 | 1 | 1 | 399781 | • Tätningsring | • Oil seal | | | |
| A04 | 1 | 1 | 1 | 272653 | • Packning | • Gasket | | | |
| A05 | 1 | 1 | 1 | 270344 | • Tätning | • Seal | | | |
| A06 | 1 | 1 | 1 | 493823 | • Distans | • Spacer | | | |
| A07 | 1 | 1 | 1 | 272199 | • Packning | • Gasket | | | |
| A08 | 1 | 1 | 1 | 691879 | • Packning | • Gasket | | | |
| A09 | 1 | 1 | 1 | 691031 | • O-ring | • O-ring | | | |
| A10 | 1 | 1 | 1 | 692296 | • Tätningsring | • Tube seal | | | |
| A11 | 1 | 1 | 1 | 692232 | • Packning | • Gasket | | | |
| A12 | 1 | 1 | 1 | 692249 | • Packning | • Gasket | | | |
| A14 | 1 | 1 | 1 | 691242 | • Flottöraxel | • Float hinge pin | | | |
| A15 | 1 | 1 | 1 | 694468 | • Expansionsbricka | • Welch plug | | | |
| A16 | 1 | 1 | 1 | 398188 | • Bränslenål | • Inlet valve | | | |
| A17 | 1 | 1 | 1 | 693981 | • Packning | • Gasket | | | |
| A18 | 1 | 1 | 1 | 271716 | • Tätningsbricka | • Sealing washer | | | |
| A19 | 1 | 1 | 1 | 691321 | • Dammtätning | • Dust seal | | | |
| A21 | 1 | 1 | 1 | 498260 | Rep.sats förgasare | Carb. overhaul kit | | | |
| A22 | 1 | 1 | 1 | 498261 | Packn.sats- förg. | Gasket set- carb. | | | |
| A23 | 1 | 1 | 1 | 497316 | Packn.sats- motor | Gasket set- engine | | | |