

Genuine Spare Parts




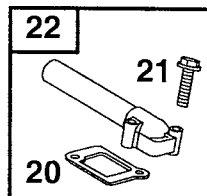
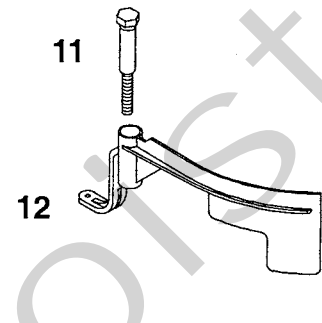
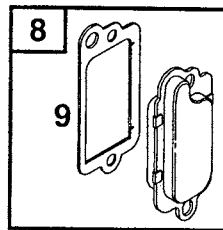
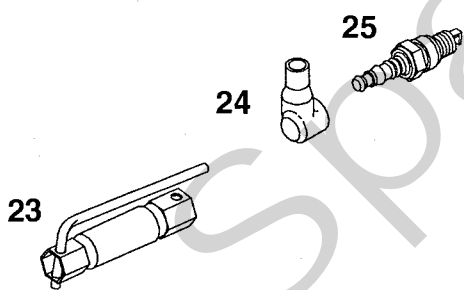
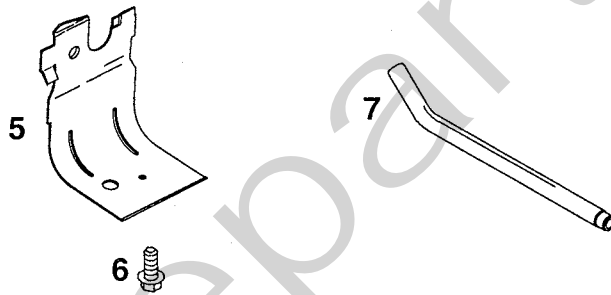
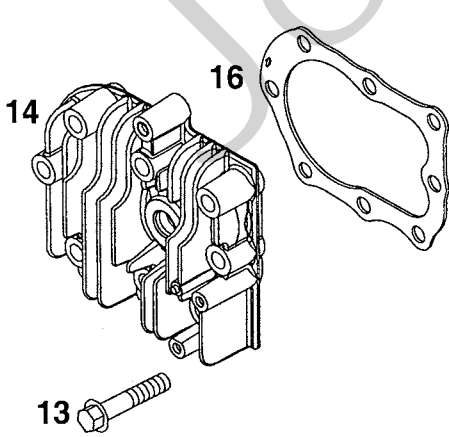
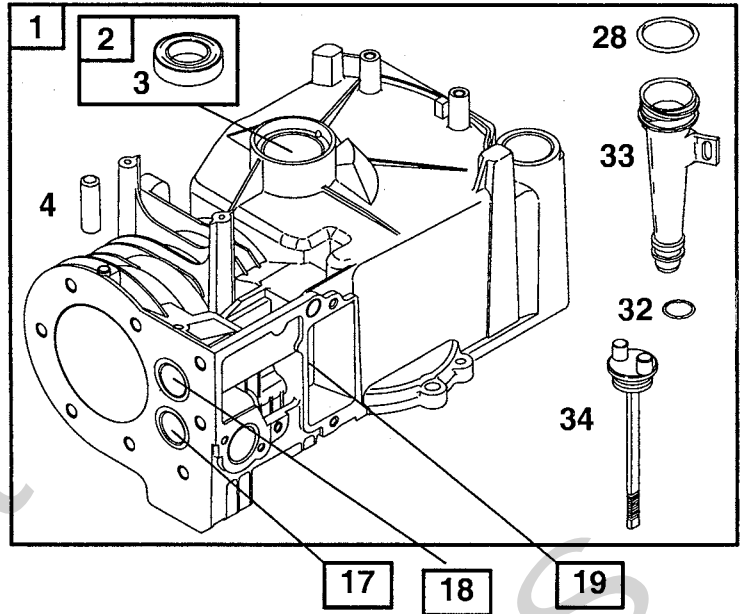
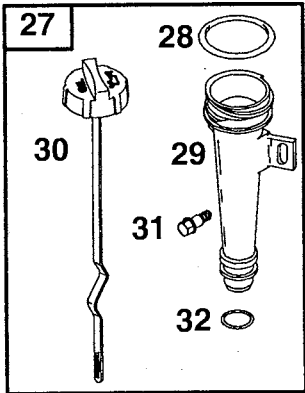
Joist
Spareparts
Joist

Utgåva Issue 2004-12		Bildnr Picture No 1718			COLLECTOR 45S COMBI STARCLIPPER EURO 45S STARCLIPPER 45S	COLLECTOR 45S COMBI STARCLIPPER EURO 45S STARCLIPPER 45S	Sida Page 110		
Pos. Fig.	Antal/Quantity				Art nr Part No	Benämning	Description	Sats Kit	Anmärkning Notes
	3581 -90	3581 -80	3881 -60						
	1				1117-1308-01	Kåpa- gul	Deck- yellow		
	1	1	1		1117-3263-02	Kåpa- röd	Deck- red		
	2	1	1	1	1117-3007-01	Ledplåt- främre	Baffle- front		
	3	1	1	1	1117-3008-01	Ledplåt- bakre	Baffle- rear		
	4	1	1	1	1111-2927-01	Batterihållare	Battery holder		
	5	4	4	4	1117-1131-01	Flänsmutter	Nut		
	6	4	4	4	1117-1364-01	Skruv	Screw		
	7	4	4	4	9699-0028-02	Planbricka	Flat washer		
X	8	1	1	1	1136-1411-01	Styre- underdel	Handlebar- lower part		
X	9	1	1	1	1136-1413-01	Styre- överdel	Handlebar- upper part		
	10	1	1	1	1117-3221-01	Manöverbygel	OPC lever		
	11	1	1	1	9595-0258-00	Spännstift	Locating pin		
	12	1	1	1	9997-0635-12	Skruv	Screw		
X	13	1	1	1	1136-1405-01	Motorbromswire	Engine brake cable		
	14	1	1	1	9699-0025-02	Planbricka	Washer		
	15	1	1	1	9799-0631-02	Mutter	Nut		
	16	1	1	1	1117-3222-01	Manöverbygel	Control lever		
	17	1	1	1	9595-0258-00	Spännstift	Locating pin		
	18	1	1	1	1117-1114-01	Wirehållare	Support		
	19	1	1	1	9865-0616-16	Skruv	Screw		
	20	1	1	1	9799-0631-02	Mutter	Nut		
X	21	1	1	1	1136-1404-01	Kopplingswire	Clutch cable		
	22	1	1	1	1136-0629-01	Kabelgenomföring	Fair lead		
	23	1	1	1	1136-0747-01	Skruv m. ögla	Screw w. loop		
	24	1	1	1	1136-0620-01	Skruv	Screw		
	25	2	2	2	1136-0693-01	Bricka	Washer		
	26	2	2	2	1117-3194-01	Låsrott	Locking knob		
	27	2	2	2	9799-0831-02	Mutter	Nut		
	28	1			1117-1156-01	Lucka- gul	Rear flap- yellow		
	28		1	1	1117-1156-02	Lucka- svart	Rear flap- black		
	29	1	1	1	1117-1126-01	Fjäder	Spring- rear flap		
	30	1	1	1	1117-1143-01	Axel	Shaft		
	31	1			1117-1155-01	Luckinfästning- gul	Flap holder- yellow		
	31		1	1	1117-1155-02	Luckinfästning- svart	Flap holder- black		
	32	2	2	2	9836-9516-12	Skruv	Screw		
	33	1	1	1	1117-1147-01	Transmissionskåpa	Transmission cap		
	34	2	2	2	9836-9516-12	Skruv	Screw		
	36	2	2	2	9997-0830-16	Skruv	Screw		
	37	1	1	1	9739-0831-22	Mutter	Nut		
	38	1	1	1	9716-0831-02	Mutter	Nut		
	39	1	1	1	9699-0028-02	Planbricka	Flat washer		
	40	1	1	1	1117-1268-01	Bult	Bolt		
	41	1	1	1	9678-0009-02	Låsbricka	Lock washer		
	42	2	2	2	9799-0831-02	Mutter	Nut		
	43	2	2	2	9699-0062-02	Planbricka	Flat washer		
X	44	1	1	1	1136-1415-01	Mont.sats	Assy kit		
	231	1	1	1	1117-3001-01	Mulcherplugg	Mulch plug		
	272	2	2	2	1117-1213-01	Hålplåt	Sector		
	273	2	2	2	9716-0831-02	Mutter	Nut		
	274	6	6	6	9836-9516-12	Skruv	Screw		
	275	2	2	2	9836-9512-12	Skruv	Screw		
	276	2	2	2	1117-1131-01	Flänsmutter	Nut		
	278	2	2	2	1117-1228-01	Inställningsspak	Adjusting lever		
	279	2	2	2	1117-1376-01	Hjulsköld	Wheel lever		
	280	2	2	2	1117-1182-01	Ansatsbult	Shoulder bolt		
	281	2	2	2	9699-0062-02	Planbricka	Flat washer		
	283	2	2	2	1111-3163-01	Hjul	Wheel		
	284	2	2	2	1111-3164-01	Hjulbult	Wheel axle bolt		
	285	2			1111-2804-01	Navkapsel- gul	Hub cap- yellow		
	285		2	2	1111-2804-03	Navkapsel- vit	Hub cap- white		
	285		2	2	1111-2804-04	Navkapsel- röd	Hub cap- red		
	287	1	1	1	1117-1174-01	Höjdinställningsspak	Height adjust lever		
	288	2	2	2	1117-3256-01	Hjulsköld	Wheel protection cap		

Utgåva Issue		Bildnr Picture No			COLLECTOR 45S COMBI STARCLIPPER EURO 45S STARCLIPPER 45S	COLLECTOR 45S COMBI STARCLIPPER EURO 45S STARCLIPPER 45S	Sida Page	
2004-12		1718					112	
Pos. Fig.	Antal/Quantity			Art nr Part No	Benämning	Description	Sats Kit	Anmärkning Notes
	3581 -90	3581 -80	3881 -60					
X 291	2	2	2	1111-2663-01	Hjul.....	Wheel.....		
292	2	2	2	9699-0085-02	Planbricka.....	Flat washer.....		
293	2	2	2	1136-1397-01	Skruv.....	Screw.....		
294	2			1111-2815-01	Navkapsel- gul.....	Hub cap- yellow.....		
294			2	1111-2815-03	Navkapsel- vit.....	Hub cap- white.....		
294		2		1111-2815-04	Navkapsel- röd.....	Hub cap- red.....		
295	4	4	4	9694-0003-00	Bricka.....	Washer.....		
296	4	4	4	1111-3296-01	Kullager.....	Ball bearing.....		
297	4	4	4	9549-0053-00	Kullager.....	Ball bearing.....		
401	1	1	1	1117-1160-01	Bakaxel.....	Shaft- backside.....		
X 402	1	1	1	1136-1408-01	Transmission kpl.....	Transmission assy.....		
403	1	1	1	1117-3018-01	Remskiva.....	Pulley.....		
404	1	1	1	1111-2382-01	Cyl.pinne.....	Pin.....		
405	1	1	1	1117-1120-01	Fjäder.....	Spring.....		
406	2	2	2	9595-0212-00	Spännstift.....	Locating pin.....		
407	2	2	2	9549-0053-00	Kullager.....	Ball bearing.....		
408	2	2	2	9591-0011-00	Stift.....	Pin.....		
410	2	2	2	1111-3256-01	Drivkil.....	Drive key.....		
411	2	2	2	1111-3075-01	Kugghjul- plasthjul.....	Pinion- plastic wheel.....		
412	4	4	4	1111-2830-01	Stödbricka.....	Support washer.....		
413	2	2	2	1117-1083-01	Låsring.....	Safety ring.....		
414	1			1111-9114-01	Drivrem.....	Drive belt.....		
414		1	1	1117-3017-01	Kilrem.....	V- belt.....		
501	1	1	1	1136-0616-01	Bult.....	Screw.....		
502	1	1	1	1117-1065-01	Tallriksbricka.....	Spring washer.....		
503	1			1111-9116-01	Kniv.....	Blade.....		
503		1	1	1117-3354-01	Kniv.....	Blade.....		
504	1			1111-9074-01	Knivfäste.....	Blade holder.....		
504		1	1	1117-1387-01	Knivfäste.....	Blade holder.....		
505	1	1	1	9600-0014-00	Kil.....	Key.....		
601	1			1117-1157-01	Uppsamlarlock- gul.....	Grassbag cover- yellow.....		
601		1	1	1117-1157-02	Uppsamlarlock- svart.....	Grassbag cover- black.....		
602	1	1	1	1117-1218-01	Uppsamlare- underdel.....	Lower grass bag.....		
603	2	2	2	9836-9516-12	Skruv.....	Screw.....		

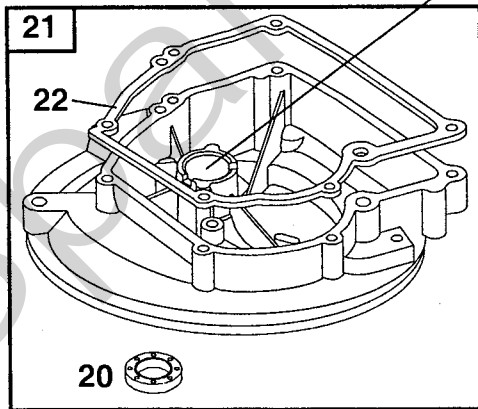
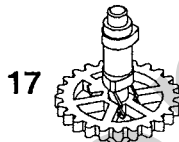
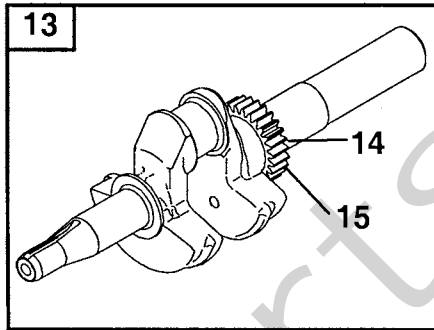
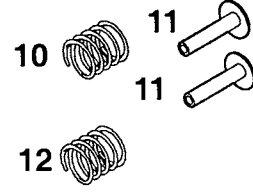
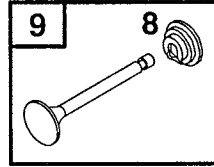
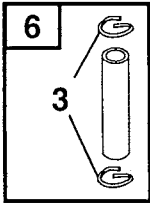
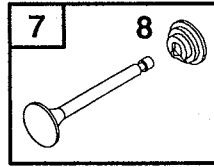
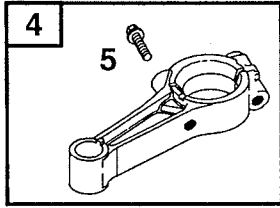
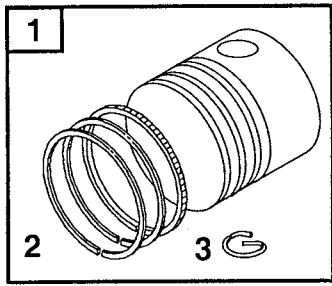
A

15 



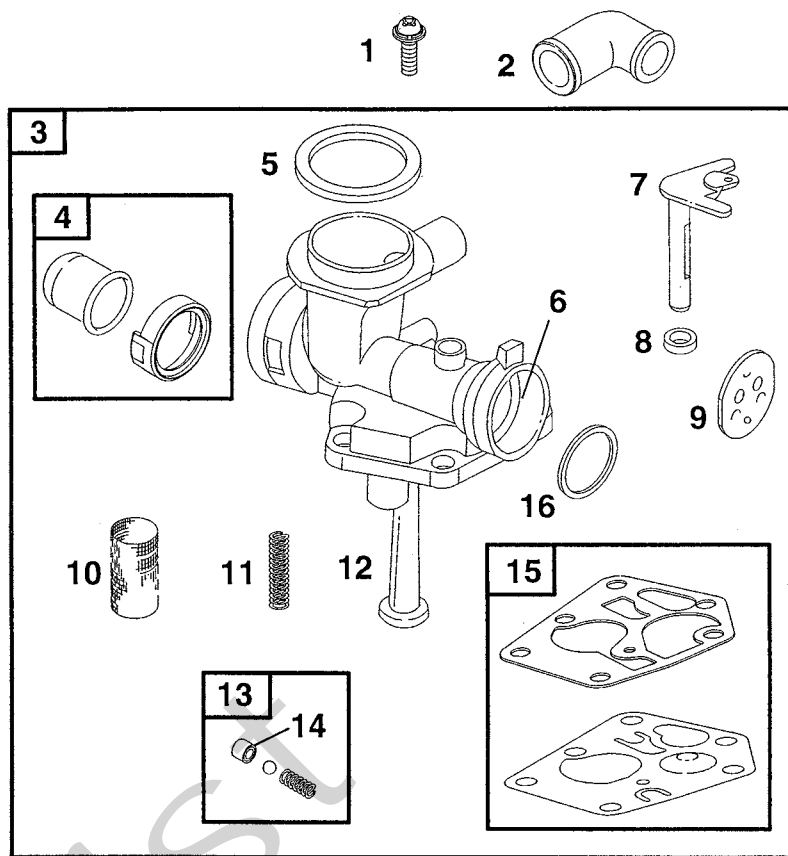
Utgåva Issue		Bildnr Picture No		BRIGGS & STRATTON 10D902 CYLINDER		BRIGGS & STRATTON 10D902 CYLINDER		Sida Page	
2004-12		1476						384	
Pos. Fig.	Antal/Quantity			Art nr Part No	Benämning	Description	Sats Kit	Anmärkning Notes	
	10D 902- 0141	10D 902- 0153							
X	A01	1		399164	Cylinder kpl.....	Cylinder assy.....			
	A01		1	699653	Cylinder kpl.....	Cylinder assy.....			
	A02	1	1	399269	• Bussning.....	• Bushing.....			
	A03	1	1	299819	• Tätningring.....	• Oil seal.....	S		
	A04	2	2	690959	• Tapp.....	• Locating pin.....			
	A05	1	1	690400	Skyddsplåt.....	Cylinder shield.....			
	A06	1	1	690345	Skruv.....	Screw.....			
	A07	1	1	691245	Rör.....	Breather tube.....			
	A08	1		495785	Vevhusventilation.....	Breather.....			
X	A08		1	699640	Vevhusventilation.....	Breather.....			
	A09	1		272602	• Packning.....	• Gasket.....	S		
	A09		1	695890	• Packning.....	• Gasket.....	S		
	A10	2	2	691666	Skruv.....	Screw.....			
	A11	1	1	691107	Skruv.....	Screw.....			
	A12	1	1	691912	Regulatorvinge.....	Governor blade.....			
X	A13		8	691640	Skruv.....	Screw.....			
	A13	8		691697	Skruv.....	Screw.....			
	A14	1	1	690386	Topplöck.....	Cylinder head.....			
	A15	1	1	692889	Distans.....	Spacer.....			
	A16	1		692288	Topplöckspackning.....	Cylinder head gasket.....	S		
X	A16		1	698717	Topplöckspackning.....	Cylinder head gasket.....	S		
	A17	1		691702	• Ventilåte- utblås.....	• Valve seat- exhaust.....			
X	A17		1	699642	• Ventilåte- utblås.....	• Valve seat- exhaust.....			
	A18	1		691701	• Ventilåte- insug.....	• Valve seat- intake.....			
X	A18		1	699641	• Ventilåte- insug.....	• Valve seat- intake.....			
	A19	1		231348	• Ventilstyrning- utblås.....	• Guide bushing- exhaust.....			
	A19	1		63709	• Ventilstyrning- insug.....	• Guide- intake valve.....			
X	A19		1	699643	• Ventilstyrning- utblås.....	• Valve guide- exhaust.....			
	A20	1		270345	• Packning.....	• Gasket.....	S		
X	A20		1	699649	• Packning.....	• Gasket.....	S		
	A21	2	2	691111	• Skruv.....	• Screw.....			
	A22	1		693446	Insugningsrör.....	Intake manifold.....			
X	A22		1	699644	Insugningsrör.....	Intake manifold.....			
	A23	1	1	1111-9029-01	Tändstiftsnyckel.....	Spark plug wrench.....			
	A24	1	1	66538	Tändstiftsskydd.....	Spark plug elbow.....			
	A25	1	1	9400-0225-00	Tändstift.....	Spark plug.....		Champion J19LM	
	A27	1		691440	Oljesticka kpl.....	Dipstick assy.....			
	A28	1	1	691870	• Tätningring.....	• Seal.....			
	A29	1		691320	• Påfyllningsrör.....	• Dipstick tube.....			
	A30	1		692040	• Oljesticka.....	• Dipstick.....			
	A31	1		691002	• Skruv.....	• Screw.....			
	A32	1	1	691876	• Tätningring.....	• Dipstick tube seal.....	S		
	A33		1	691320	• Påfyllningsrör.....	• Dipstick tube.....			
	A34		1	691913	• Oljesticka.....	• Oil dipstick.....			

A

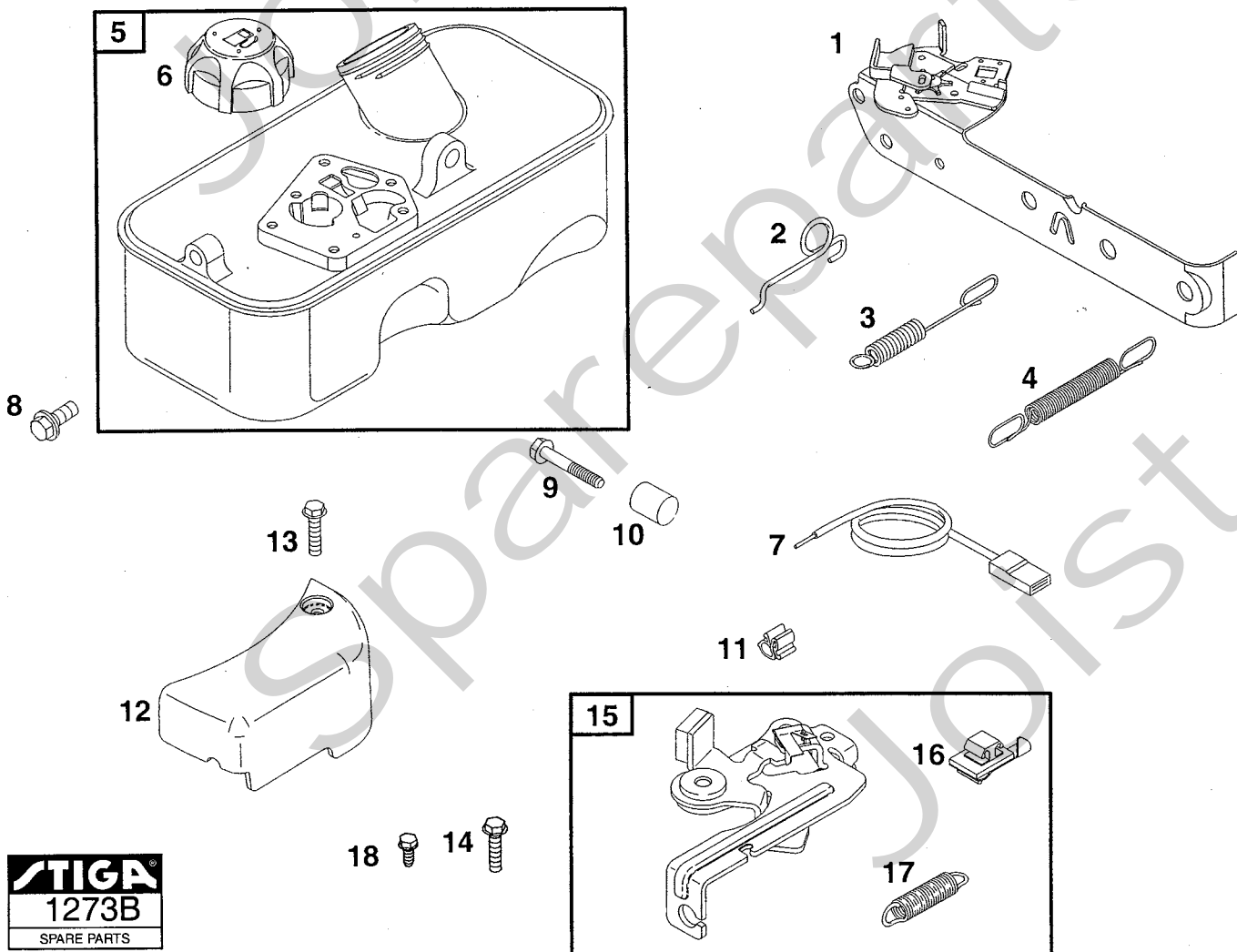


Utgåva Issue 2004-12		Bildnr Picture No 1477		BRIGGS & STRATTON 10D902 VEVAXEL VEVHUS		BRIGGS & STRATTON 10D902 CRANKSHAFT CRANKCASE		Sida Page 386
Pos. Fig.	Antal/Quantity			Art nr Part No	Benämning	Description	Sats Kit	Anmärkning Notes
	10D 902- 0141	10D 902- 0153						
	A01	1		498668	Kolv kpl.....	Piston assy		Standard
	A01	1		498669	Kolv kpl.....	Piston assy010" oversize
	A01	1		498670	Kolv kpl.....	Piston assy020" oversize
	A01	1		498671	Kolv kpl.....	Piston assy030" oversize
X	A01		1	699657	Kolv kpl.....	Piston assy		Standard
	A02	1		498680	• Kolvringsats.....	• Ring set.....		Standard
	A02	1		498681	• Kolvringsats.....	• Ring set.....		.010" oversize
	A02	1		498682	• Kolvringsats.....	• Ring set.....		.020" oversize
	A02	1		498683	• Kolvringsats.....	• Ring set.....		.030" oversize
X	A02		1	699658	• Kolvringsats.....	• Ring set.....		Standard
	A03	2	2	691588	• Låsring	• Piston pin lock		
	A04	1		496792	Vevstake	Connecting rod		
X	A04		1	699654	Vevstake	Connecting rod		
	A05	2	2	691664	• Skruv	• Screw		
	A06	1		298908	Kolvbult kpl.....	Piston pin assy.....		.005" oversize
	A06	1	1	298909	Kolvbult kpl.....	Piston pin assy.....		Standard
	A07	1	1	296676	Utblåsningsventil.....	Exhaust valve		
	A08	2	2	692194	• Ventilhållare	• Valve retainer		
	A09	1	1	296677	Insugningsventil	Intake valve		
	A10	1	1	690520	Ventilfjäder	Valve spring		
	A11	2	2	691762	Ventilyftare	Valve tappet		
	A12	1	1	690520	Ventilfjäder	Valve spring		
	A13	1	1	691471	Vevaxel	Crankshaft.....		
	A14	1	1	499047	• Stift.....	• Pin.....		
	A15	1	1	691805	• Drev	• Timing gear.....		
	A16	1	1	222698	Kil	Key		
	A17	1	1	691998	Kamaxel.....	Camshaft.....		
	A18	1		691983	Oljeslungare.....	Oil slinger		
X	A18		1	698690	Oljeslungare.....	Oil slinger		
	A19	1	1	293709	• Bussning.....	• Bushing.....		
	A20	1	1	391483	• Tätningring	• Oil seal	S	
	A21	1	1	395384	Vevhus.....	Oil sump		
	A22	1	1	270895	• Vevhuspackning	• Crankcase gasket	S	.005" thick
	A22	1	1	270896	• Vevhuspackning	• Crankcase gasket	S	.009" thick
	A22	1	1	692218	• Vevhuspackning	• Crankcase gasket	S	.015" thick (Standard)
	A23	1	1	691680	Oljeavtappningsplugg	Oil drain plug		
	A24	6	6	691662	Skruv	Screw		
	A31	1		298989	Packningssats	Gasket set		Märkta/marked S
X	A31		1	699933	Packningssats	Gasket set		Märkta/marked S

A

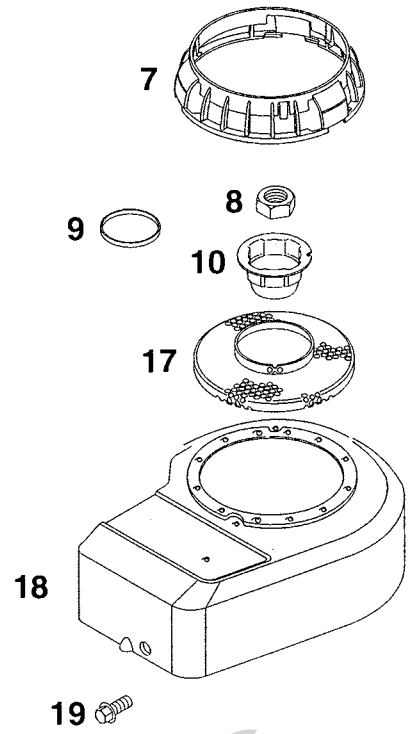
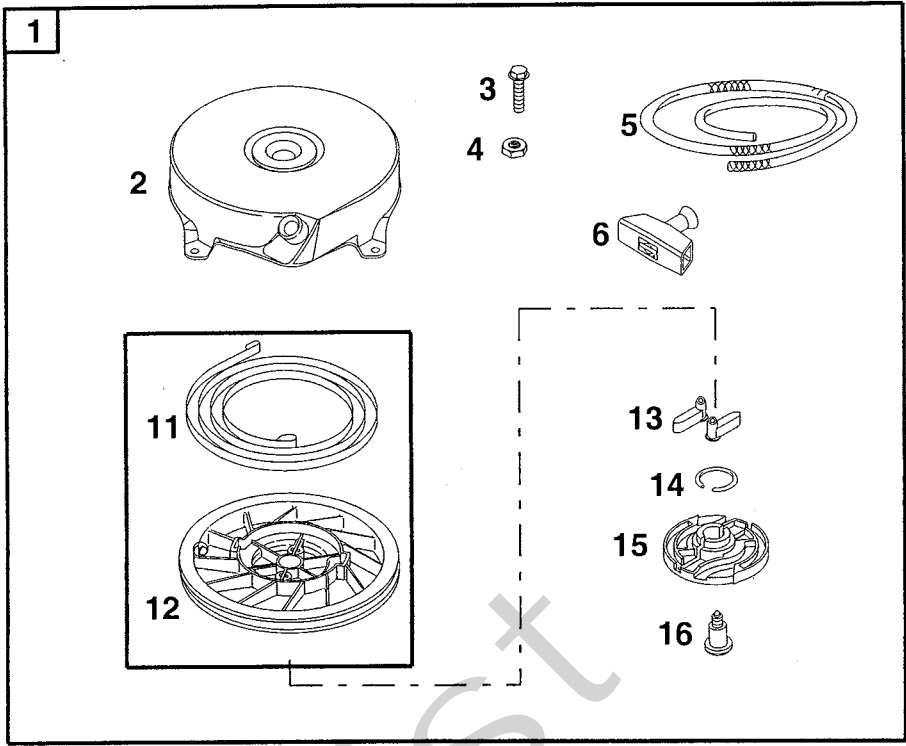


B

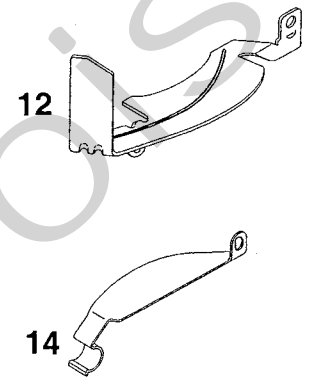
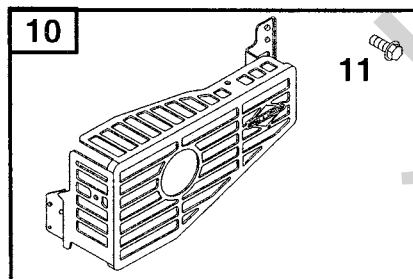
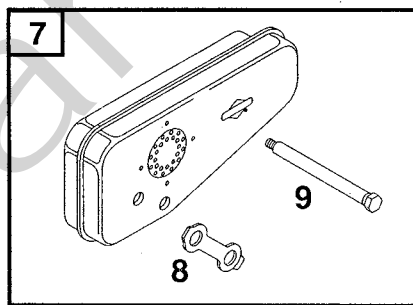
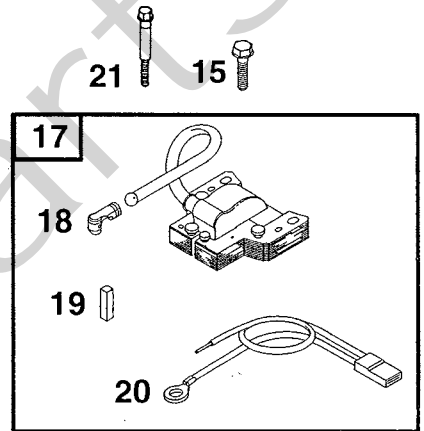
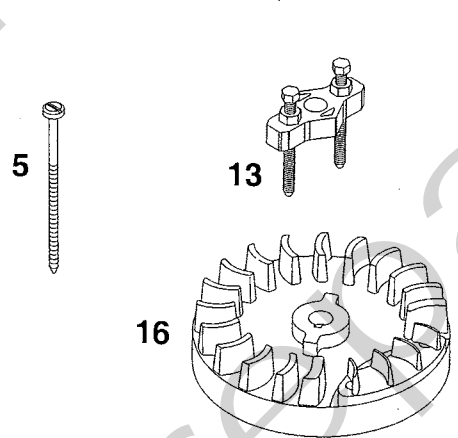
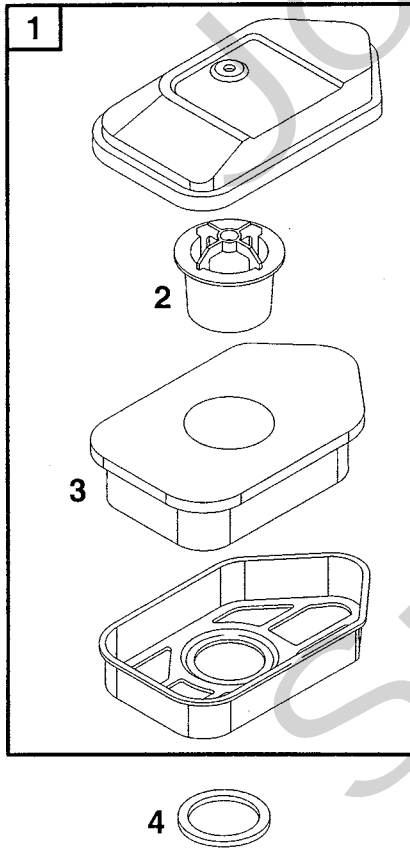


Utgåva Issue		Bildnr Picture No		BRIGGS & STRATTON 10D902 FÖRGASARE BRÄNSLETANK		BRIGGS & STRATTON 10D902 CARBURETTOR FUEL TANK		Sida Page
2004-12		1273B						388
Pos. Fig.	Antal/Quantity			Art nr Part No	Benämning	Description	Sats Kit	Anmärkning Notes
	10D 902- 0141	10D 902- 0153						
A01	4	4		692200	Skruv	Screw		
A02	1	1		692189	Hylsa	Grommet		
A03	1	1		498811	Förgasare kpl	Carburettor assy		
A04	1			494408	• Primer	• Primer bulb		
A04		1		694394	• Primer	• Carburettor primer		
A05	1	1		271139	• Packning	• Gasket		
A06	1	1		270344	• Tätning	• Seal		
A07	1	1		691931	• Spjällaxel	• Throttle shaft		
A08	1	1		691321	• Dammtätning	• Dust seal		
A09	1	1		691190	• Gasspjäll	• Throttle valve		
A10	1	1		691837	• Nät	• Screen		
A11	1	1		691839	• Fjäder	• Spring		
A12	1	1		496046	• Bränslerör	• Fuel pipe		
A13	1	1		494409	• Ventilsåte	• Check valve seat		
A14	1	1		691901	• Säte	• Inlet seat		
A15	1	1		495770	• Membran	• Diaphragm		
A16	1	1		695866	• O-ring	• O-ring seal		
B01	1	1		691446	Reglageplåt	Control bracket		
B02	1	1		690347	Regulatorlänk	Air vane link		
B03	1			690251	Regulatorfjäder	Governor spring		
B03		1		690254	Regulatorfjäder	Governor spring		
B04	1	1		691859	Fjäder	Idle spring		
B05	1	1		494406	Bränsletank	Fuel tank		
B06	1	1		497929	• Tanklock	• Fuel cap		
B07	1	1		692390	Stoppkabel	Stop wire		
B08	1	1		692198	Skruv	Screw		
B09	1	1		691697	Skruv	Screw		
B10	1	1		691633	Distans	Spacer		
B11	1	1		690586	Wireklämna	Wire clip		
B12	1	1		691349	Kåpa	Linkage cover		
B13	1	1		691111	Skruv	Screw		
B14	2	2		691146	Skruv	Screw		
B15	1	1		691487	Broms	Brake		
B16	1	1		692310	• Stoppkontakt	• Stop switch		
B17	1	1		692135	• Bromsfjäder	• Brake spring		
B18	1	1		690859	Skruv	Screw		

A

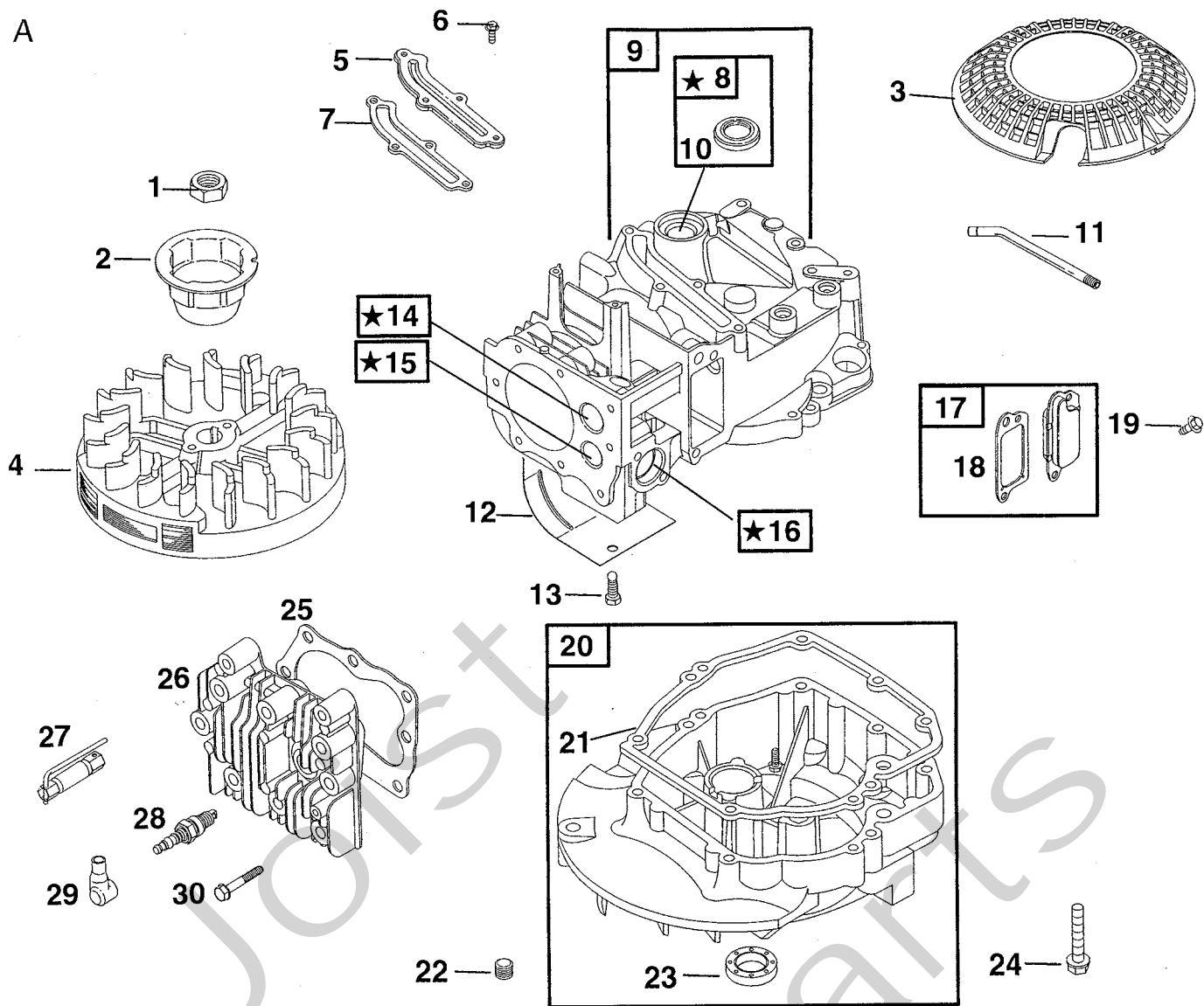


B



Utgåva Issue		Bildnr Picture No		BRIGGS & STRATTON 10D902 START LUFTFILTER		BRIGGS & STRATTON 10D902 STARTER AIR CLEANER		Sida Page 390	
Pos. Fig.	Antal/Quantity			Art nr Part No	Benämning	Description	Sats Kit	Anmärkning Notes	
	10D 902- 0141	10D 902- 0153							
X	A01	1	1	499706	Start kpl.....	Rewind starter.....			
	A02	1	1	692144	• Starthus.....	• Starter housing.....			
	A03	4	4	690837	• Skruv.....	• Screw.....			
	A04	4	4	690800	• Mutter.....	• Nut.....			
	A05	1	1	692259	• Startsnöre.....	• Starter rope.....			
	A05	1	1	697316	• Startsnöre.....	• Starter rope.....			
	A06	1	1	691915	• Starthandtag.....	• Starter grip.....			
	A07	1	1	691348	Skydd.....	Rewind guard.....			
	A08	1	1	690662	Mutter.....	Flywheel nut.....			
	A09	1	1	694420	Roterande platta.....	Rotating trim plate.....			
	A10	1	1	691236	Svänghjulskopp.....	Flywheel cup.....			
	A11	1	1	499901	• Linhjul m.fjäder.....	• Pulley and spring.....			
	A12	1	1	499901	• Linhjul m.fjäder.....	• Pulley and spring.....			
	A13	2	2	281505	• Startklo.....	• Starter pawl.....			
	A14	1	1	691855	• Friktionsfjäder.....	• Friction spring.....			
	A15	1	1	692299	• Spärrplatta.....	• Pawl friction plate.....			
	A16	1	1	691696	• Skruv.....	• Screw.....			
	A17	1	1	691235	Skyddsnet.....	Rotating screen.....			
X	A17	1	1	699850	Skyddsnet.....	Rotating screen.....			
	A18	1	1	691484	Fläkthus.....	Blower housing.....			
	A19	3	3	692198	Skruv.....	Screw.....			
X	B01	1	1	493492	Lufffilter.....	Air cleaner.....			
X	B01	1	1	698472	Lufffilter.....	Air cleaner.....			
	B02	1	1	691911	• Stöd.....	• Support.....			
X	B03	1	1	272235	• Filterinsats.....	• Air cleaner filter.....			
	B03	1	1	698369	• Filterinsats.....	• Air cleaner filter.....			
	B04	1	1	271139	Packning.....	Gasket.....			
	B05	1	1	691417	Skruv.....	Screw.....	S		
	B07	1	1	692307	Ljuddämpare.....	Muffler.....			
	B08	1	1	691179	• Låsbleck.....	• Screw lock.....			
	B09	2	2	691413	• Skruv.....	• Screw.....			
	B10	1	1	494896	Ljuddämparskydd.....	Muffler guard.....			
	B11	2	2	690664	• Skruv.....	• Screw.....			
	B12	1	1	691209	Svänghjulsskydd.....	Flywheel guard.....			
	B13	1	1	19069	Avdragare.....	Puller.....			
	B14	1	1	690482	Svänghjulsskydd.....	Flywheel guard.....			
	B15	2	2	691061	Skruv.....	Screw.....			
	B16	1	1	692009	Svänghjul.....	Flywheel.....			
	B17	1	1	496914	Tändsystem kpl.....	Magneto armature.....			
	B18	1	1	493880	• Anslutningshylsa.....	• Terminal.....			
	B19	1	1	222698	• Kil.....	• Key.....			
	B20	1	1	398808	• Kortslutningskabel.....	• Ground wire.....			
	B21	1	1	691107	Skruv.....	Screw.....			

A



B

