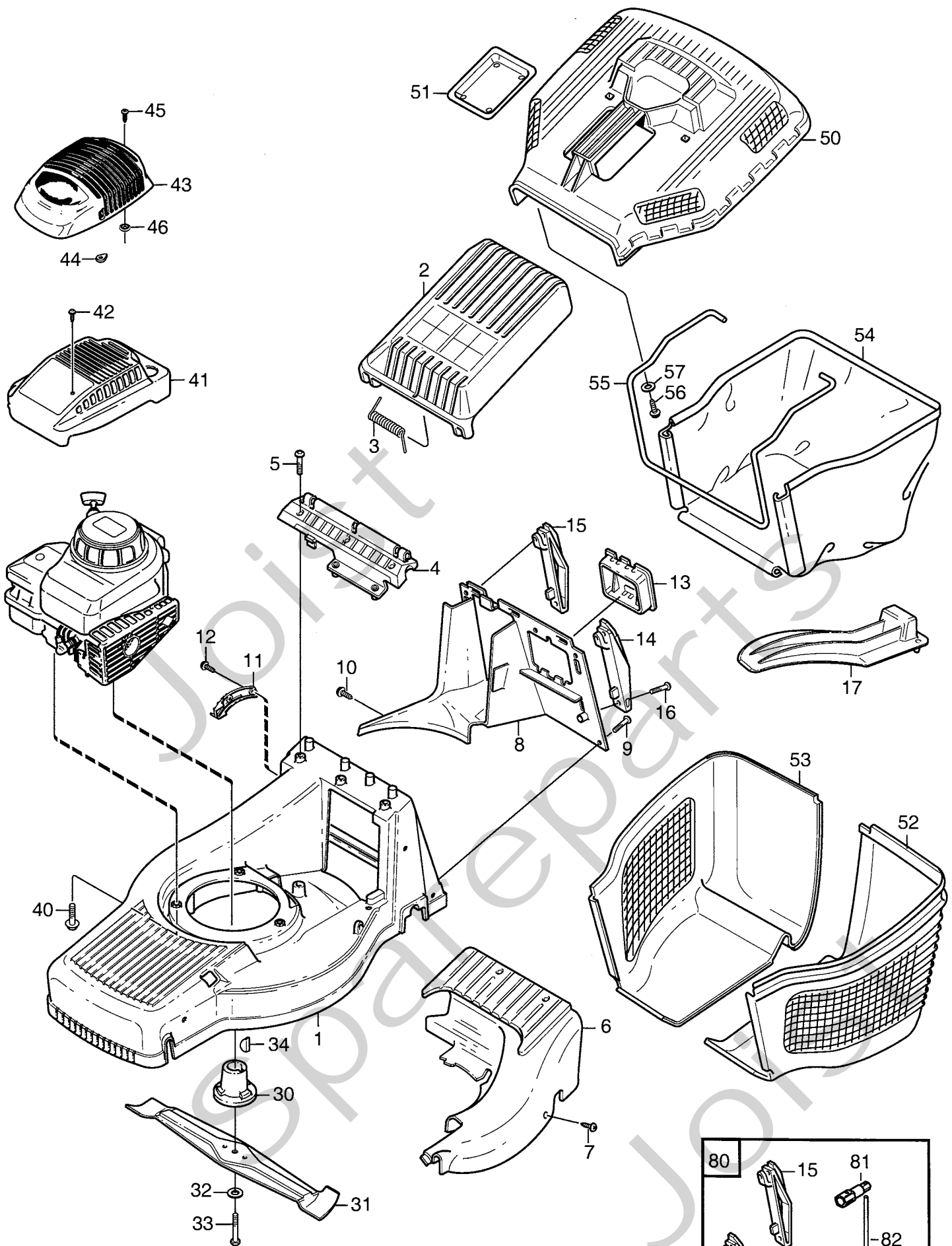


# Genuine Spare Parts

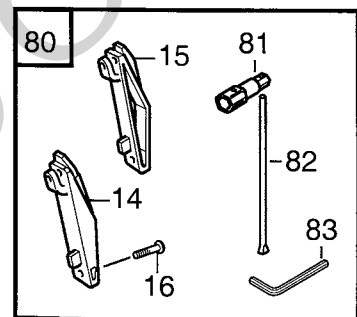
---



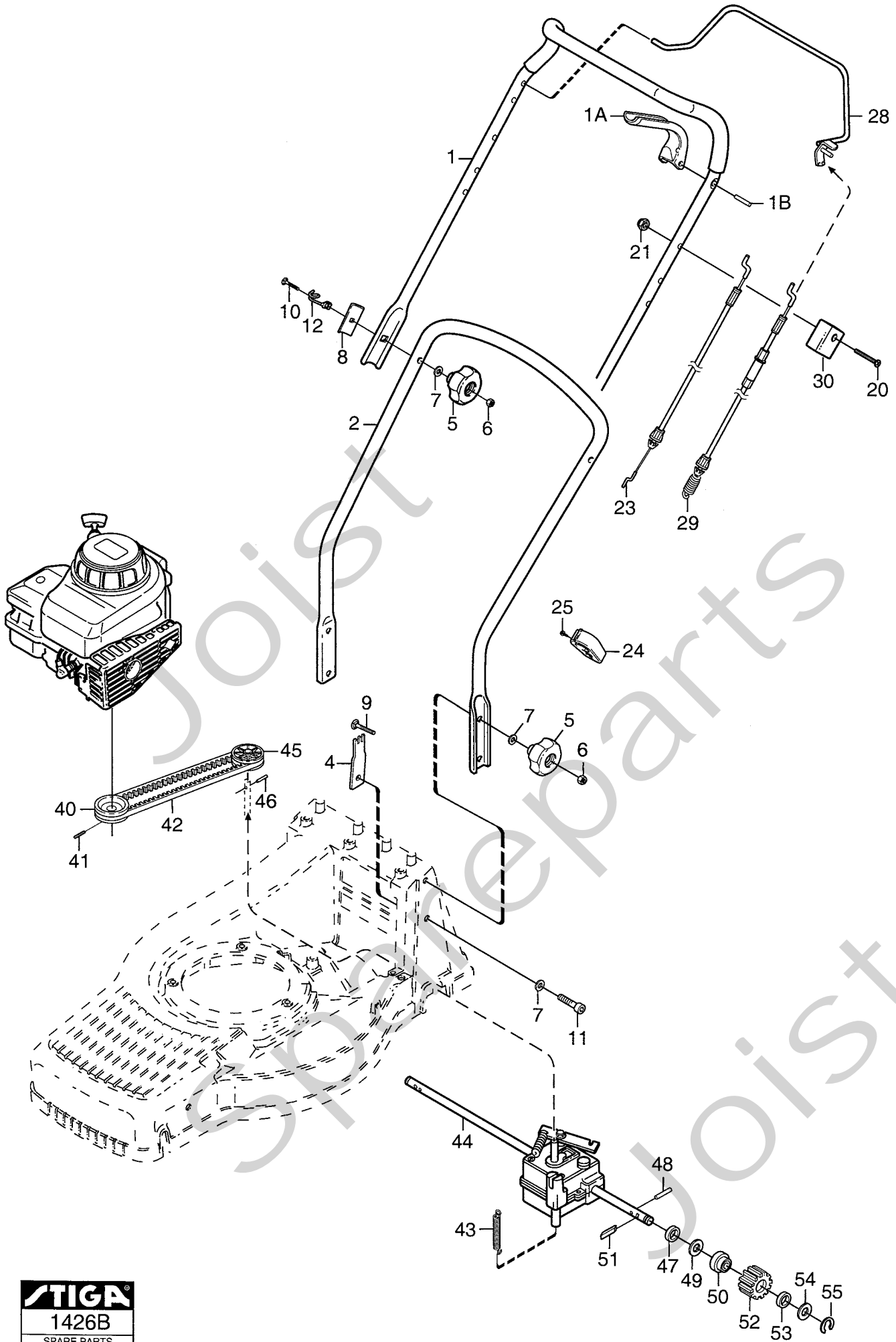
Joist  
Spareparts  
Joist



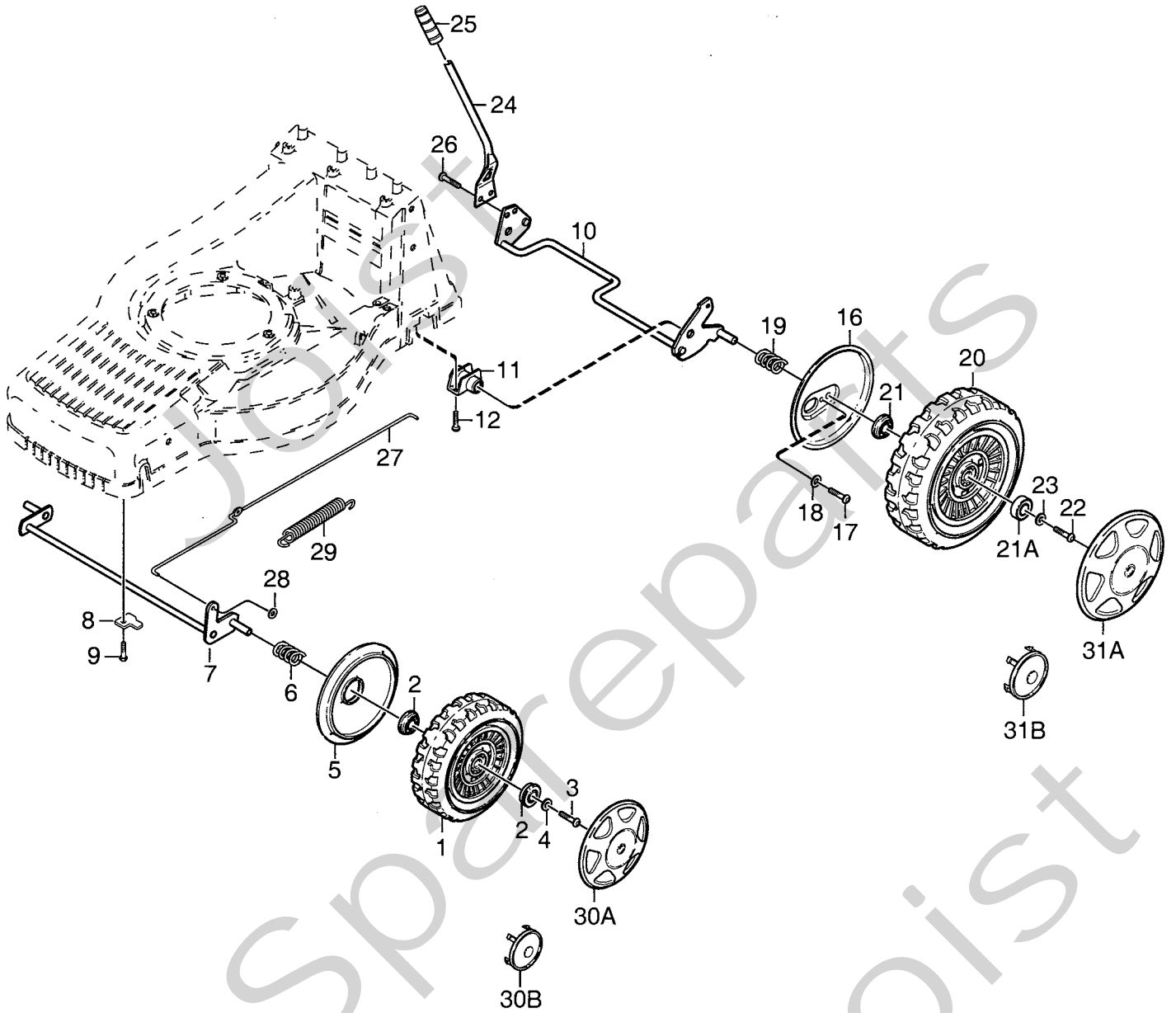
**STIGA**  
1371B  
SPARE PARTS



Utgåva Issue		Bildnr Picture No		TURBO 55S- 55SE HERKULES MB532 JARDIPRO JP55 CHASSI		TURBO 55S- 55SE HERKULES MB532 JARDIPRO JP55 CHASSIS		Sida Page	
2004- 12		1371B						192	
Pos. Fig.	Antal/Quantity				Art nr Part No	Benämning	Description	Sats Kit	Anmärkning Notes
	9204 9286 - 69 9298	9604 - 89	9604 - 69 9644	9698 - 69					
1	1				1111-3020-01	Chassi- gul.....	Chassis- yellow .....		
1		1			1111-3020-04	Chassi- röd .....	Chassis- red .....		
1			1	1	1111-3020-08	Chassi- grön .....	Chassis- green .....		
2	1				1111-3283-01	Lucka- gul.....	Flap- yellow .....		
2		1			1111-3283-02	Lucka- svart.....	Flap- black .....		
2			1	1	1111-3283-18	Lucka- grön .....	Flap- green .....		
3	1	1	1	1	1111-2792-01	Fjäder.....	Spring .....		
4	1				1111-2793-01	Luckinfästning- gul.....	Flap attachm.- yellow .....		
4		1			1111-2793-02	Luckinfästning- svart.....	Flap attachm.- black .....		
4			1	1	1111-2793-18	Luckinfästning- grön.....	Flap attachm.- green.....		
5	3	3	3	3	9947-0616-16	Skruv.....	Screw.....		
6	1				1111-3019-01	Täckkåpa- gul.....	Cover- yellow .....		
6		1			1111-3019-04	Täckkåpa- röd.....	Cover- red .....		
6			1	1	1111-3019-08	Täckkåpa- grön.....	Cover- green.....		
7	3	3	3	3	9838-9522-12	Skruv.....	Screw.....		
8	1	1	1	1	1111-3335-01	Bakstam.....	Rear attachment.....		
9	3	3	3	3	9947-0616-16	Skruv.....	Screw.....		
10	1	1	1	1	9838-9522-12	Skruv.....	Screw.....		
11	1	1	1	1	1111-2798-01	Höjdinst. segment.....	Height adj. quadrant.....		
12	2	2	2	2	9838-9522-12	Skruv.....	Screw.....		
13	1	1	1	1	1111-2927-01	Batterihållare.....	Battery holder.....		ej 9298- 59, 9698- 69
14	1	1	1	1	1111-3236-01	• Hållare- vä.....	• Attachment- LH.....		
15	1	1	1	1	1111-3237-01	• Hållare- hö.....	• Attachment- RH.....		
16	4	4	4	4	9836-9520-12	• Skruv.....	• Screw.....		
17	1	1	1	1	1111-3333-02	Mulcherplugg.....	Mulch plug.....		
30	1	1	1	1	1111-9070-01	Knivfäste.....	Blade holder.....		
31	1	1	1	1	1111-9091-01	Kniv.....	Blade.....		
32	1	1	1	1	9696-0011-01	Bricka.....	Washer.....		
33	1	1	1	1	9987-5251-12	Skruv.....	Screw.....		
34	1	1	1	1	9600-0014-00	Kil.....	Key.....		
40	3	3	3	3	9955-3732-12	Skruv.....	Screw.....		
41	1				1111-3352-01	Motorkåpa- svart.....	Engine cover- black.....		12- 9298- 59
41				1	1111-3352-02	Motorkåpa- grön.....	Engine cover- green.....		12- 9698- 69
42	2			2	9500-9907-01	Skruv.....	Screw.....		
X 43	1	1	1	1	1111-3601-01	Motorkåpa- svart.....	Engine cover- black.....		9204- 59, 9604- 69, - 89
X 44	2	2	2	2	1111-3624-01	Gummiring.....	Rubber ring.....		
X 45	3	3	3	3	1111-3625-01	Skruv.....	Screw.....		
X 46	3	3	3	3	1111-3629-01	Bricka.....	Washer.....		
50	1				1111-2840-01	Uppsamlarlock- gul.....	Top collector- yellow.....		
50		1			1111-2840-02	Uppsamlarlock- svart.....	Top collector- black.....		
50			1	1	1111-2840-18	Uppsamlarlock- grön.....	Top collector- green.....		
51	1	1	1	1	1111-2764-01	Täckbricka.....	Cover.....		
52	1				1111-2841-10	Uppsaml. under- vä.....	Collector lower- L.....		12- 9286- 69
53	1				1111-2842-10	Uppsaml. under- hö.....	Collector lower- R.....		12- 9286- 69
54	1	1	1	1	1111-2844-01	Uppsamlingsäck- svart.....	Collecting bag- black.....		12- 9204- 59, 9298- 59
55	1	1	1	1	1111-2843-01	Trådbygel.....	Wire clamp.....		
56	2	2	2	2	9838-9522-12	Skruv.....	Screw.....		
57	2	2	2	2	9699-0100-02	Bricka.....	Washer.....		
80	1	1	1	1	1111-3569-01	Tillbehörspåse.....	Accessory bag.....		Inkl. pos 14- 16, 81- 83
81	1	1	1	1	1111-2921-01	• Tändstiftsnyckel.....	• Spark plug wrench.....		
82	1	1	1	1	1111-2113-01	• Vridpinne.....	• Rod.....		
83	1	1	1	1	9900-0060-00	• Insexnyckel.....	• Allen wrench.....		
99	1				1111-3588-03	Dekalsats.....	Label kit.....		STIGA

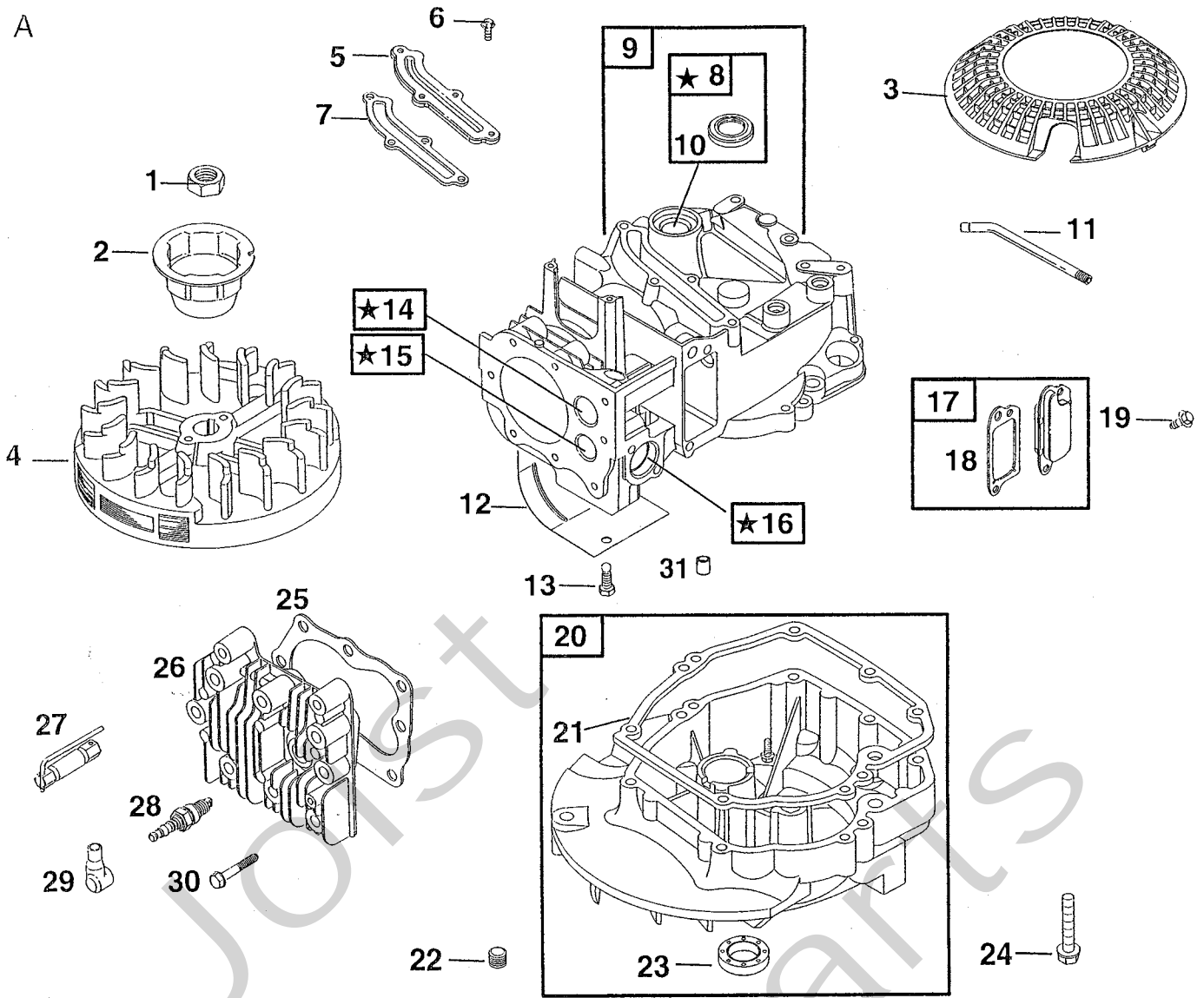


Utgåva Issue		Bildnr Picture No		COMBI 55S STYRE TRANSMISSION		COMBI 55S HANDLE TRANSMISSION		Sida Page	
2004-12		1426B						198	
Pos. Fig.	Antal/Quantity			Art nr Part No	Benämning	Description	Sats Kit	Anmärkning Notes	
	9286 -69								
1	1			1117-3005-01	Styre-överdel kpl.....	Handlebar- upper part .....		Inkl. pos 1A, 1B  L = 38 mm L = 57 mm  Ej ill/not ill.	
1A	1			1117-3221-01	• Manöverbygel.....	• OPC lever .....			
1B	1			9595-0258-00	• Spännstift .....	• Locating pin .....			
2	1			1111-3248-01	Styre- underdel .....	Handlebar- lower part.....			
4	2			1111-3024-01	Fästplatta .....	Attachment plate .....			
5	4			1111-3023-01	Lås ratt .....	Locking knob .....			
6	4			9795-3531-02	Mutter.....	Nut .....			
7	6			9699-0028-02	Planbricka.....	Flat washer.....			
8	2			1111-0178-00	Förstärkning .....	Reinforcement.....			
9	2			9899-3538-16	Skruv .....	Screw .....			
10	2			9899-3557-12	Skruv .....	Screw .....			
11	2			9939-0820-16	Skruv .....	Screw .....			
12	1			1111-3062-01	Ögla .....	Eyelink .....			
20	1			9948-0640-16	Skruv .....	Screw .....			
21	1			9747-0631-02	Låsmutter .....	Lock nut .....			
23	1			1111-3250-03	Motorbromswire .....	Engine brake cable .....			
24	1			1111-2018-01	Kabelhållare .....	Cable holder .....			
25	1			9836-9216-12	Skruv .....	Screw .....			
28	1			1117-1374-01	Manöverbygel.....	Control handle.....			
29	1			1111-3387-01	Kopplingswire.....	Clutch cable .....			
30	1			1111-2969-01	Wirefäste .....	Cable attachment .....			
40	1			1111-2915-01	Motorremskiva .....	Engine belt pulley.....			
41	1			9910-0612-16	Stoppskruv .....	Set screw .....			
42	1			9585-0137-01	Drivrem .....	Drive belt.....			
43	1			1111-2822-01	Dragfjäder.....	Tension spring .....			
44	1			1111-3393-01	Transmission .....	Transmission.....			
44A	1			1111-3446-01	• Fjäder.....	• Spring .....			
45	1			1111-3440-01	Remskiva .....	Belt pulley .....			
46	1			9595-0235-00	Spännstift .....	Locating pin .....			
47	2			9404-0083-00	Tätningring .....	Seal ring .....			
48	2			1111-2382-01	Cyl.pinne.....	Pin .....			
49	2			9695-0013-00	Bricka .....	Washer.....			
50	2			1111-2829-01	Låsbricka .....	Lock washer.....			
51	2			1111-3256-01	Drivkil .....	Drive key .....			
52	2			1111-3075-01	Kuggjul- plasthjul.....	Pinion- plastic wheel .....			
53	2			1111-2830-01	Stödbricka .....	Support washer.....			
54	2			9695-0013-00	Bricka .....	Washer.....			
55	2			9652-0010-04	Låsring .....	Snap ring .....			

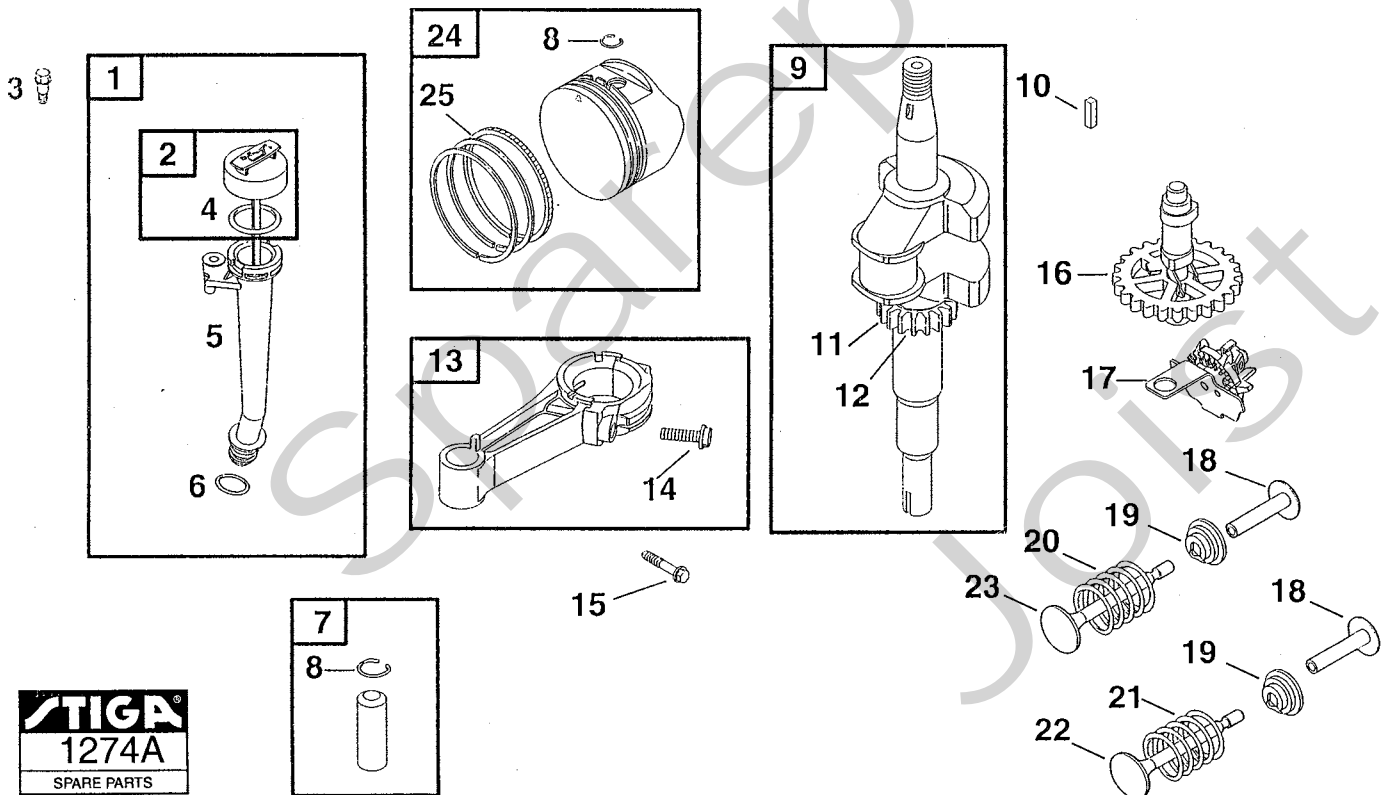


Utgåva Issue		Bildnr Picture No		TURBO 55S- 55SE JARDIPRO JP55 HJULUPPHÄNGNING		TURBO 55S- 55SE JARDIPRO JP55 WHEEL SUSPENSION		Sida Page	
2004- 12		1429A						204	
Pos. Fig.	Antal/Quantity				Art nr Part No	Benämning	Description	Sats Kit	Anmärkning Notes
	9204 -59	9286 9298 9498	9604 - 69 9644	9698					
1	2	2	2	2	1111-2784-01	Hjul kpl .....	Wheel assy.....		
2	2	2	2	2	1111-3296-01	• Kullager .....	• Ball bearing .....		
3	2	2	2	2	9943-0612-16	Skruv .....	Screw .....		
4	2	2	2	2	9699-0100-02	Bricka .....	Washer .....		
5	2	2	2	2	1111-2785-01	Täckbricka .....	Wheel cover .....		
6	2	2	2	2	1111-1138-01	Fjäder.....	Spring .....		
7	1	1	1	1	1111-3466-02	Framaxel.....	Front axle .....		
8	2	2	2	2	1111-1504-01	Överfall .....	Retainer .....		
9	2	2	2	2	9947-0616-16	Skruv .....	Screw .....		
10	1	1	1	1	1111-2808-01	Bakaxel .....	Rear axle .....		
11	2	2	2	2	1111-2814-01	Bussning .....	Bushing .....		
12	4	4	4	4	9947-0616-16	Skruv .....	Screw .....		
16	2	2	2	2	1111-3395-01	Täckplåt.....	Cover plate .....		
17	2	2	2	2	9943-0610-16	Skruv .....	Screw .....		
18	2	2	2	2	9699-0060-02	Planbricka.....	Flat washer.....		
19	2	2	2	2	1111-3060-01	Fjäder.....	Spring .....		
20	2	2	2	2	1111-3026-01	Hjul m.kullager .....	Wheel w.ball bearings .....		
21	1	1	1	1	1111-3296-01	• Kullager .....	• Ball bearing .....		
21A	1	1	1	1	9549-0001-00	• Kullager .....	• Ball bearing .....		
22	2	2	2	2	9943-0612-16	Skruv .....	Screw .....		
23	2	2	2	2	9699-0100-02	Bricka .....	Washer.....		
24	1	1	1	1	1111-2816-01	Spak .....	Height adj.lever .....		
25	1	1	1	1	1111-2817-01	Handtag .....	Lever knob .....		
26	2	2	2	2	9943-0612-16	Skruv .....	Screw .....		
27	1	1	1	1	1111-3031-01	Dragstång.....	Height adj.rod .....		
28	2	2	2	2	9675-0011-00	Starlock .....	Starlock .....		
29	1	1	1	1	1111-2819-01	Fjäder.....	Spring .....		
30A	2	2	2	2	1111-3084-01	Navkapsel- gul .....	Hub cap- yellow.....		12-9286-69
30B	2	2	2	2	1111-3443-01	Navkapsel- silver.....	Hub cap- silver.....		12-9286-19, 9298,9498
31A	2	2	2	2	1111-3086-01	Navkapsel- gul .....	Hub cap- yellow.....		12-9286-69
31B	2	2	2	2	1111-3444-01	Navkapsel- silver.....	Hub cap- silver.....		12-9286-19,9298,9498

A



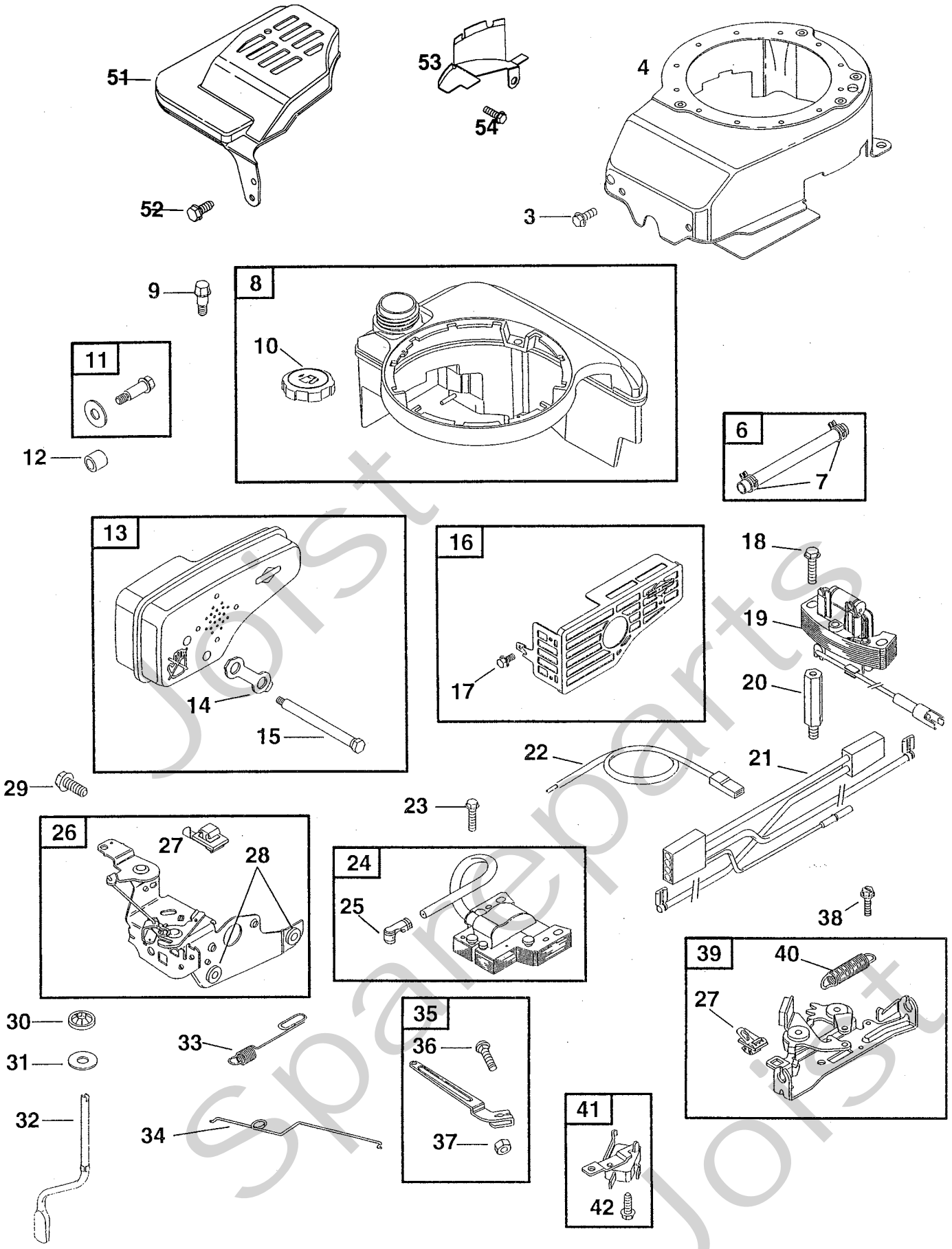
B





Utgåva Issue 2004-12		Bildnr Picture No 1274A		BRIGGS & STRATTON 127707, 12F702 CYLINDER VEVAXEL		BRIGGS & STRATTON 127707, 12F702 CYLINDER CRANKSHAFT		Sida Page 412
Pos. Fig.	Antal/Quantity			Art nr Part No	Benämning	Description	Sats Kit	Anmärkning Notes
	127 707- 1736	127 707- 1792	12F 702- 1766					
X A01	1	1	1	690662	Mutter.....	Flywheel nut.....		
A02	1	1	1	695161	Svänghjulskopp.....	Flywheel cup.....		
A03	1	1	1	691919	Skydd.....	Rewind guard.....		
A04	1	1		691987	Svänghjul.....	Flywheel.....		
A04			1	692315	Svänghjul.....	Flywheel.....		
A05		1		692342	Lock.....	Cover.....		
X A05	1		1	697734	Lock.....	Cover.....		
A06	4	4	4	690345	Skruv.....	Screw.....		
A07	1	1	1	691879	Packning.....	Gasket.....		
A08	1	1	1	399269	• Bussning.....	• Bushing.....		
A09	1	1	1	697322	Cylinder kpl.....	Cylinder assy.....		
A10	1	1	1	299819	• Tätningring.....	• Oil seal.....		
A11	1	1	1	691781	Ventilationsrör.....	Breather tube.....		
A12	1	1	1	690450	Cylinderskydd.....	Cylinder shield.....		
A13	1	1	1	690345	Skruv.....	Screw.....		
A14	1	1	1	691155	• Ventilåsa- insug.....	• Valve seat- intake.....		
A15	1	1	1	690380	• Ventilåsa- utblås.....	• Valve seat- exhaust.....		
A16	1	1	1	262001	• Ventilstyrning- utblås.....	• Valve guide- exhaust.....		
A16	1	1	1	63709	• Ventilstyrning- insug.....	• Guide- intake valve.....		
A17	1	1	1	695250	Vevhusventilation.....	Breather.....		
A18	1	1	1	696125	• Packning.....	• Gasket.....		
A19	2	2	2	691125	Skruv.....	Screw.....		
A20	1	1	1	493279	Vevhus.....	Engine sump.....		
A21	1	1	1	692232	• Packning.....	• Gasket.....		
A22	1	1	1	691680	Oljeavtappningsplugg.....	Oil drain plug.....		
A23	1	1	1	399781	• Tätningring.....	• Oil seal.....		
A24	7	7	7	691092	Skruv.....	Screw.....		
A25	1	1	1	692249	Packning.....	Gasket.....		
A26	1	1	1	691160	Topplöck.....	Cylinder head.....		
A27	1	1	1	1111-9029-01	Tändstiftsnyckel.....	Spark plug wrench.....		
A28	1	1	1	9400-0225-00	Tändstift.....	Spark plug.....		Champion J19LM
A29	1	1	1	66538	Tändstiftsskydd.....	Spark plug elbow.....		
A30	8	8	8	690912	Skruv.....	Screw.....		
A31	2	2		690959	Tapp.....	Locating pin.....		
B01	1	1	1	692017	Oljesticka kpl.....	Oil dipstick assy.....		
B02	1	1	1	495264	• Oljesticka.....	• Oil dipstick.....		
B03	1	1	1	690940	Skruv.....	Screw.....		
B04	1	1	1	691031	• O-ring.....	• O-ring.....		
B05	1	1	1	495265	• Oljepåfyllningsrör.....	• Oil filler tube.....		
B06	1	1	1	692296	• Tätningring.....	• Tube seal.....		
B07	1	1	1	499423	Kolvbuft.....	Piston pin.....		
B08	2	2	2	691866	• Låsring.....	• Lock ring.....		
B09	1	1	1	691452	Vevaxel.....	Crankshaft.....		
B10	1	1	1	222698	Kil.....	Key.....		
B11	1	1	1	691830	• Drev.....	• Timing gear.....		
B12	1	1	1	690979	• Kil.....	• Timing key.....		
B13	1	1	1	499424	Vevstake.....	Connecting rod.....		
B14	1	1	1	691664	• Skruv.....	• Screw.....		
B15	1	1	1	695759	Skruv.....	Screw.....		
B16	1	1	1	691449	Kamaxel.....	Camshaft.....		
B17	1	1	1	691997	Oljeslungare.....	Oil slinger.....		
B18	2	2	2	690548	Ventilyftare.....	Valve tappet.....		
B19	2	2	2	692194	Ventilhållare.....	Valve retainer.....		
B20	1	1	1	691270	Ventilfjäder.....	Valve spring.....		
B21	1	1	1	691270	Ventilfjäder.....	Valve spring.....		
B22	1	1	1	262651	Utblåsningsventil.....	Exhaust valve.....		
B23	1	1	1	262652	Insugningsventil.....	Intake valve.....		
B24	1	1	1	499429	Kolv kpl.....	Piston assy.....		Standard
B24	1	1	1	499431	Kolv kpl.....	Piston assy.....		.020" oversize
B25	1	1	1	499425	• Kolvringsatts.....	• Ring set.....		Standard
B25	1	1	1	499427	• Kolvringsatts.....	• Ring set.....		.020" oversize

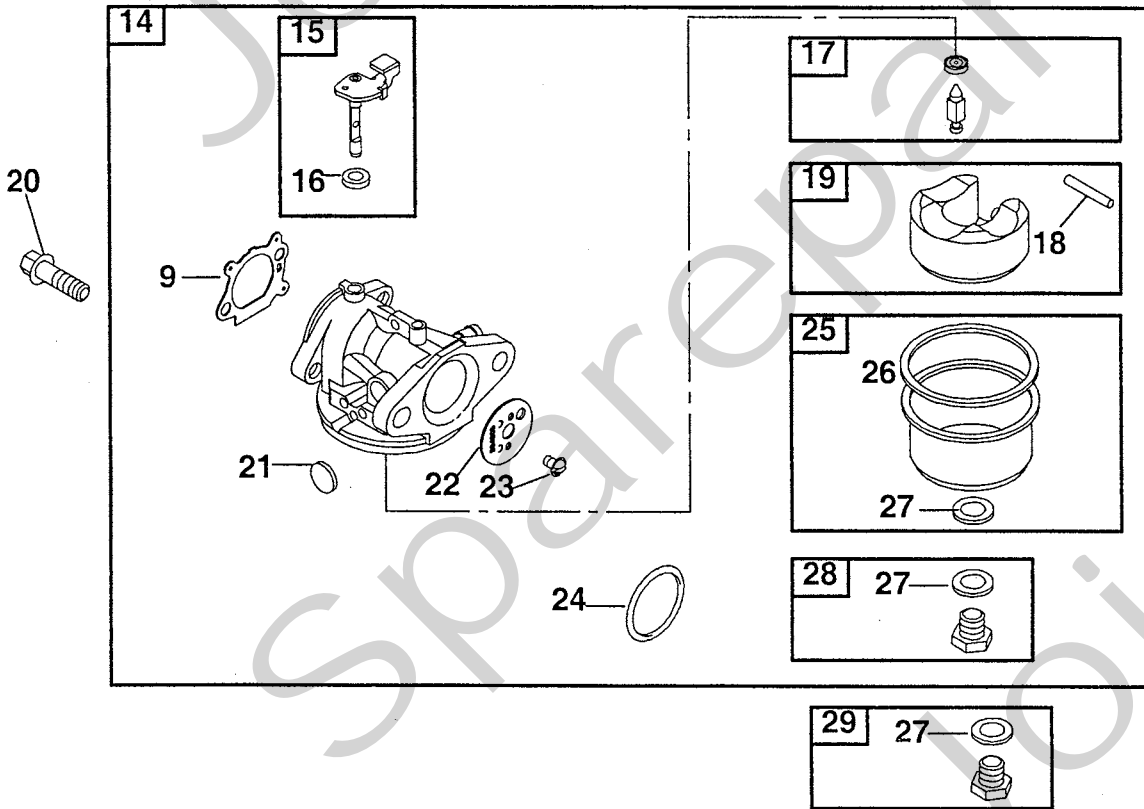
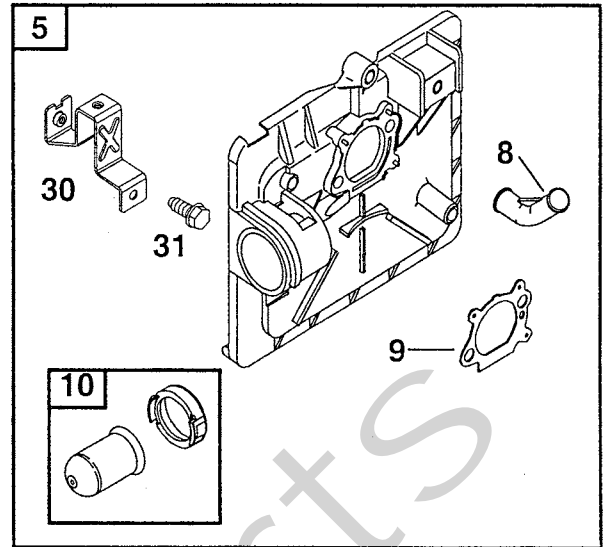
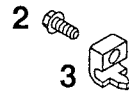
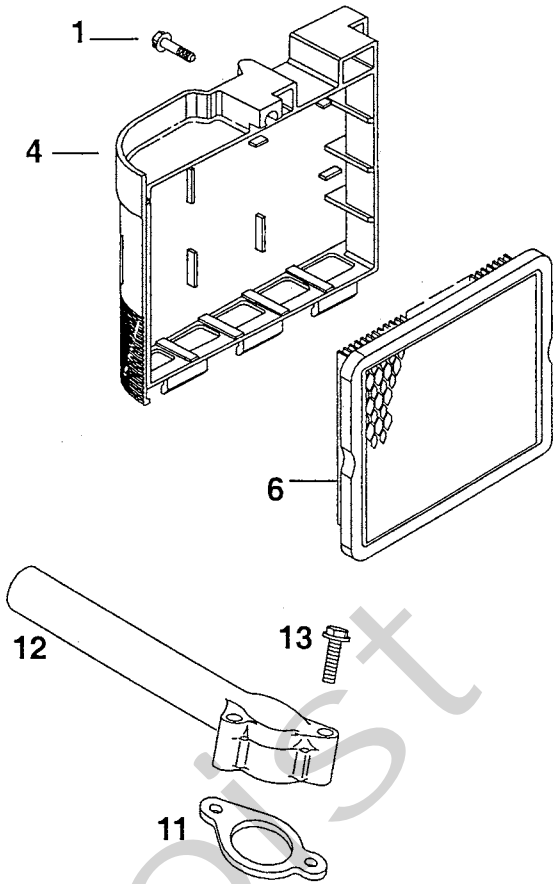
A



Utgåva Issue 2004-12		Bildnr Picture No 1275B		BRIGGS & STRATTON 127707, 12F702 BRÄNSLETANK REGULATOR		BRIGGS & STRATTON 127707, 12F702 FUEL TANK GOVERNOR		Sida Page 414	
Pos. Fig.	Antal/Quantity			Art nr Part No	Benämning	Description	Sats Kit	Anmärkning Notes	
	127 707- 1736	127 707- 1792	12F 702- 1766						
A03	4	4	4	691108	Skruv .....	Screw .....			
A04	1	1	1	493293	Fläkthus .....	Blower housing .....			
A06			1	691050	Bränsleslang .....	Fuel line .....			
A06	1	1		691371	Bränsleslang .....	Fuel line .....			
A07	2	2	2	95162	Slangklämma .....	Hose clamp .....			
A08	1	1	1	695887	Bränsletank .....	Fuel tank .....			
A09	2	2	2	690940	Skruv .....	Screw .....			
A10	1	1	1	397974	• Tanklock .....	• Fuel cap .....			
A11	1	1	1	692311	Skruv/bricka .....	Screw/washer .....			
A12	1	1	1	692294	Distans .....	Spacer .....			
A13	1	1	1	496106	Ljuddämpare .....	Muffler .....			
A14	1	1	1	691740	• Låsbleck .....	• Screw lock .....			
A15	2	2	2	691340	• Skruv .....	• Screw .....			
A16	1	1	1	499034	Skydd .....	Guard .....			
A17	2	2	2	690664	• Skruv .....	• Screw .....			
A18	2	2		691648	Skruv .....	Screw .....			
A19	1	1		691991	Generator .....	Alternator .....			
A20	2	2		691094	Pinnbult .....	Stud .....			
A21	1	1		696547	Kablage .....	Wiring harness .....			
A22	1	1	1	692390	Stoppkabel .....	Stop wire .....			
A23	2	2	2	691061	Skruv .....	Screw .....			
A24	1	1	1	802574	Tändsystem .....	Magneto armature .....			
A25	1	1	1	493880	• Anslutningshylsa .....	• Terminal .....			
A26	1	1	1	692031	Reglageplåt .....	Control bracket .....			
A27	2	2	2	692310	• Stoppkontakt .....	• Stop switch .....			
A28	1	1	1	493823	• Distans .....	• Spacer .....			
A29	2	2	2	690877	Skruv .....	Screw .....			
A30	1	1	1	690340	Hållare .....	Retainer .....			
A31	1	1	1	690272	Bricka .....	Washer .....			
A32	1	1	1	698801	Regulatoraxel .....	Governor crank .....			
A33	1		1	691292	Regulatorfjäder .....	Governor spring .....			
A33		1		691852	Regulatorfjäder .....	Governor spring .....			
A34	1	1	1	691829	Regulatorlänk .....	Governor link .....			
A35	1	1	1	690783	Regulatorarm .....	Govern. control lever .....			
A36			1	691119	Bult .....	Bolt .....			
A36	1	1		92613	• Skruv .....	• Screw .....			
A37	1	1	1	691251	• Mutter .....	• Nut .....			
A38	2	2	2	691648	Skruv .....	Screw .....			
A39	1	1	1	691994	Broms .....	Brake .....			
A40	1	1	1	691831	• Bromsfjäder .....	• Brake spring .....			
A41	1	1		499421	Brytare .....	Switch .....			
A42	1	1		691627	• Skruv .....	• Screw .....			
A51			1	691757	Lock .....	Control cover .....			
A52			1	690664	Skruv .....	Screw .....			
A53			1	694086	Svånghjulsskydd .....	Flywheel guard .....			
A54			1	691108	Skruv .....	Screw .....			

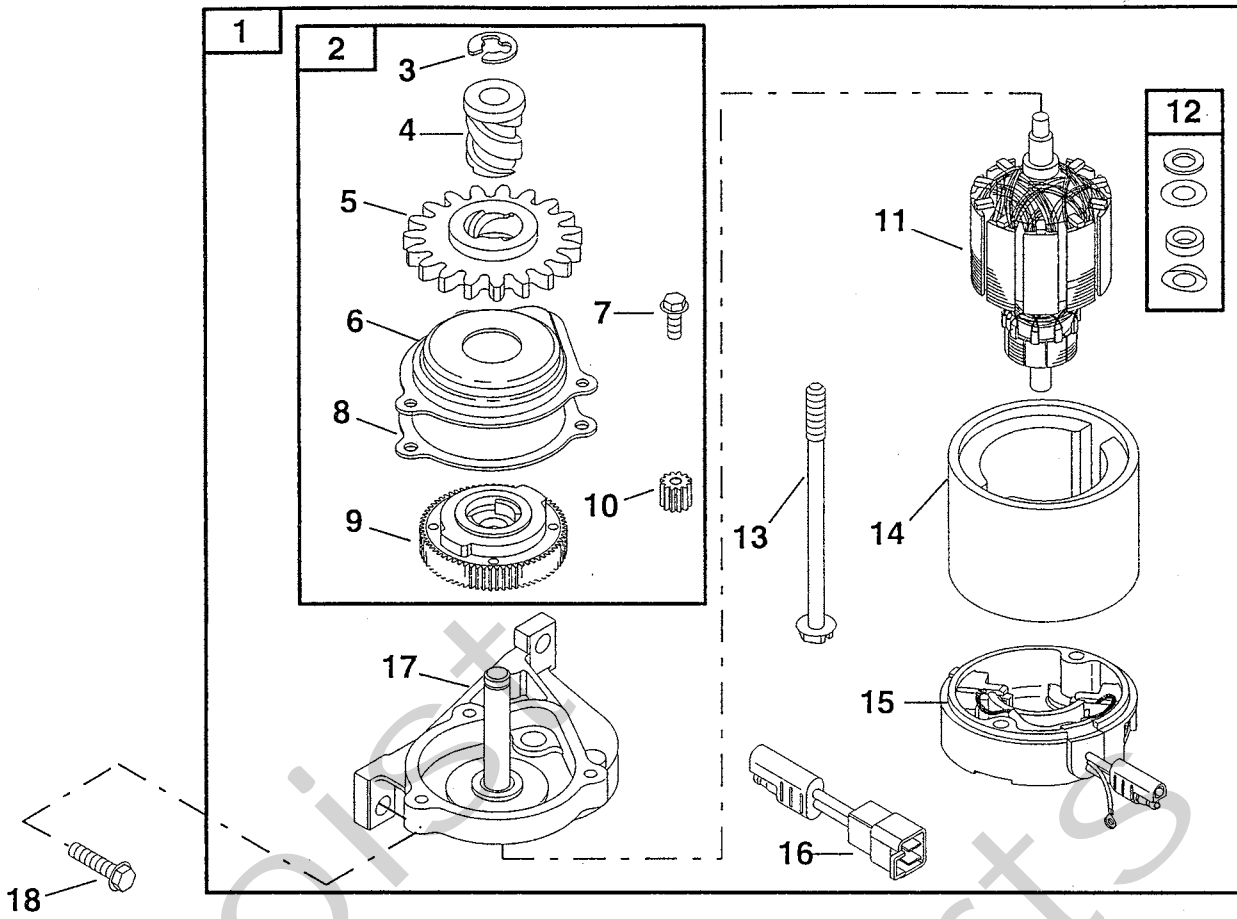
2 st/includes 2

A

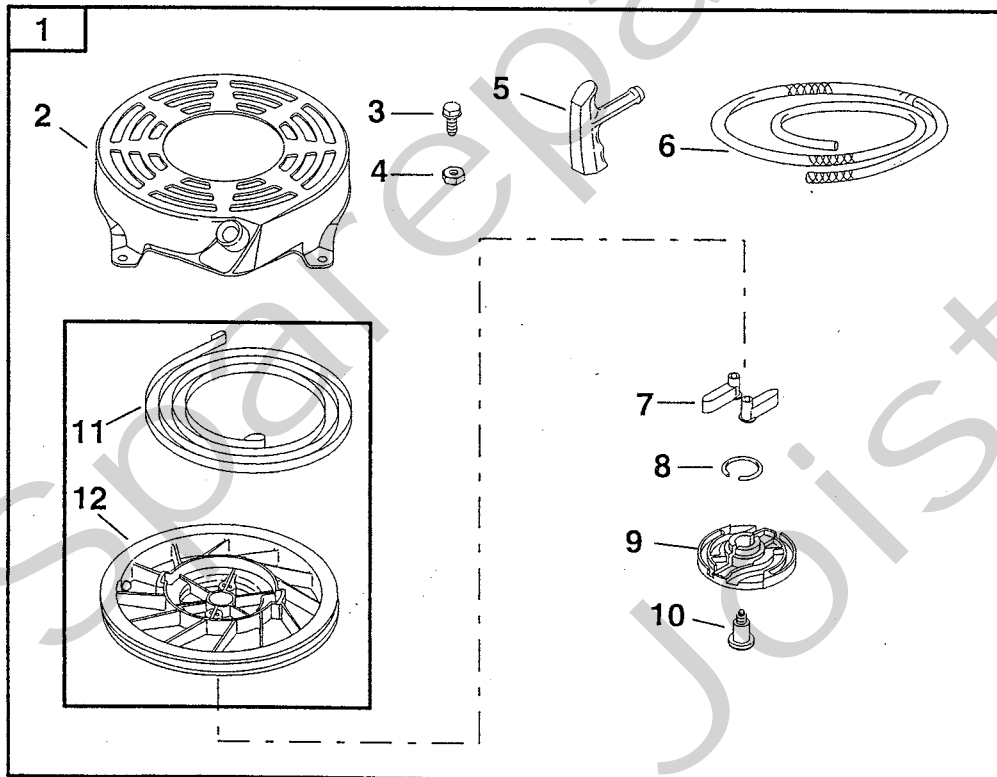


Utgåva Issue		Bildnr Picture No			BRIGGS & STRATTON 127707, 12F702 LUFTFILTER FÖRGASARE		BRIGGS & STRATTON 127707, 12F702 AIR CLEANER CARBURETTOR		Sida Page
2004-12		1276A							416
Pos. Fig.	Antal/Quantity				Art nr Part No	Benämning	Description	Sats Kit	Anmärkning Notes
	127 707- 1736	127 707- 1792	12F 702- 1766						
A01	1	1	1		690670	Skruv .....	Screw .....		
A02	1	1			691044	Skruv .....	Screw .....		
A03	1	1			690798	Wireklämma .....	Casing clamp .....		
A04	1	1	1		692298	Luftrenarlock .....	Air cleaner cover .....		
A05	1	1	1		496116	Luftrenarfäste .....	Air cleaner base .....		
A06	1	1	1		491588	Pappersfilter .....	Air filter .....		
A07	2	2	2		692523	Skruv .....	Screw .....		
A08	1	1	1		691923	• Hylsa .....	• Grommet .....		
A09	1	1	1		272653	• Packning .....	• Gasket .....		
A10	1	1	1		694395	• Primer .....	• Primer .....		
A11	1	1	1		272199	Packning .....	Gasket .....		
A12	1	1	1		497465	Insugningsrör .....	Intake pipe .....		
A13	2	2	2		691650	Skruv .....	Screw .....		
A14	1	1	1		498170	Förgasare kpl .....	Carburettor assy .....		
A15	1	1	1		696565	• Spjällaxel .....	• Throttle shaft .....		
A16	1	1	1		691321	• Dammtätning .....	• Dust seal .....		
A17	1	1	1		398188	• Bränslenål .....	• Inlet valve .....		
A18	1	1	1		691242	• Flottöraxel .....	• Float hinge pin .....		
A19	1	1	1		398187	• Flottör .....	• Float .....		
A20	2	2	2		692524	Skruv .....	Screw .....		
A21	1	1	1		694468	• Expansionsbricka .....	• Welch plug .....		
A22	1	1			691203	• Gasspjäll .....	• Throttle valve .....		
A22	1		1		696564	• Gasspjäll .....	• Throttle valve .....		
A23	1	1	1		691636	• Skruv .....	• Screw .....		
A24	1	1	1		270344	• Tätning .....	• Seal .....		
A25	1	1	1		493640	• Flottörhus .....	• Bowl .....		
A26	1	1	1		693981	• Packning .....	• Gasket .....		
A27	1	1	1		271716	• Tätningsbricka .....	• Sealing washer .....		
A28		1			494870	• Huvudmunstycke .....	• Main jet .....		
A28	1		1		498978	• Huvudmunstycke .....	• Main jet .....		Standard
A29			1		494870	Huvudmunstycke .....	Main jet .....		Standard
A29		1			497315	Huvudmunstycke .....	Main jet .....		High altiyude
A30	1	1	1		691753	• Fäste .....	• Bracket .....		High altitude
A31	1	1	1		691669	• Skruv .....	• Screw .....		

A

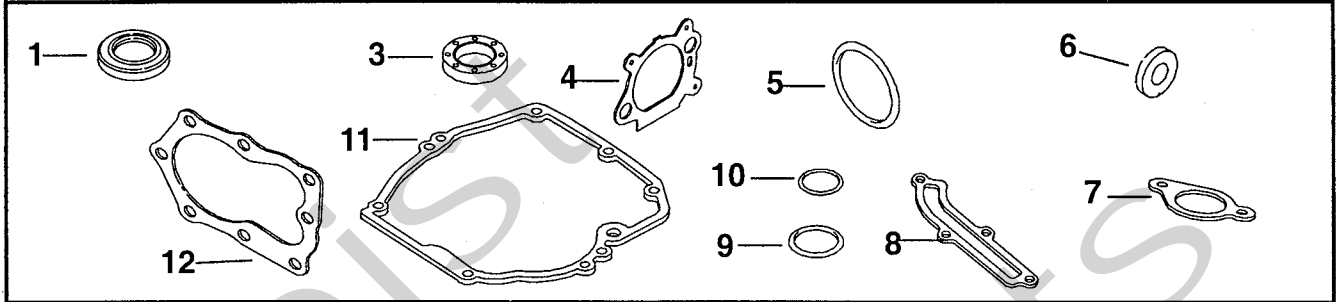


B

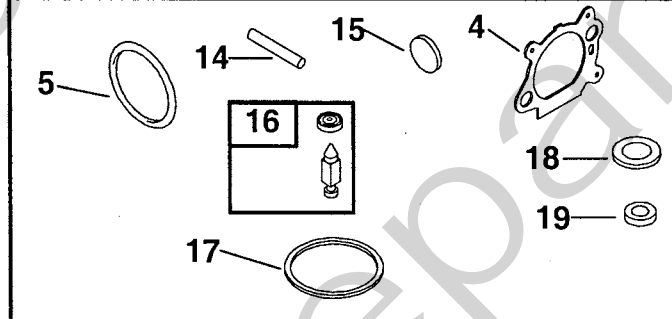


Utgåva Issue 2004-12		Bildnr Picture No 1277		BRIGGS & STRATTON 127707, 12F702 STARTMOTOR SNÖRSTART		BRIGGS & STRATTON 127707, 12F702 STARTER MOTOR REWIND STARTER		Sida Page 418	
Pos. Fig.	Antal/Quantity			Art nr Part No	Benämning	Description	Sats Kit	Anmärkning Notes	
	127 707- 1736	127 707- 1792	12F 702- 1766						
A01	1	1		695550	Startmotor kpl .....	Starter motor assy .....			
A02	1	1		494147	• Drev kpl .....	• Drive kit .....			
A03	1	1		93941	•• Låsring .....	•• Retainer .....			
A04	1	1		691325	•• Snäckdrev .....	•• Starter spline .....			
A05	1	1		691918	•• Drev .....	•• Pinion gear .....			
A06	1	1		692341	•• Lock .....	•• Cover .....			
A07	3	3		690345	•• Skruv .....	•• Screw .....			
A08	1	1		692352	•• Packning .....	•• Gasket .....			
A09	1	1		692358	•• Koppling .....	•• Drive clutch .....			
A10	1	1		691269	•• Drev .....	•• Pinion gear .....			
A11	1	1		690786	• Rotor .....	• Starter armature .....			
A12	1	1		492919	• Brickor .....	• Washer set .....			
A13	2	2		692327	• Bult .....	• Bolt .....			
A14	1	1		695266	• Starthus .....	• Starter housing .....			
A15	1	1		695267	• Bottenkåpa .....	• End cap .....			
A16	1	1		695268	• Kabeladapter .....	• Wire adapter .....			
A17	1	1		690782	• Lock .....	• Drive cap .....			
A18	2	2		691127	Skruv .....	Screw .....			
B01	1	1	1	497680	Start kpl .....	Starter assy .....			
B02	1	1	1	691421	• Starthus .....	• Starter housing .....			
B03	4	4	4	690837	• Skruv .....	• Screw .....			
B04	4	4	4	690800	• Mutter .....	• Nut .....			
B05	1	1	1	281434	• Starthandtag .....	• Handle .....			
B06	1	1		692259	• Startsnöre .....	• Starter rope .....			
X B06			1	697316	• Startsnöre .....	• Starter rope .....			
B07	2	2	2	281505	• Startklo .....	• Starter pawl .....			
B08	1	1	1	691855	• Friktionsfjäder .....	• Friction spring .....			
B09	1	1	1	692299	• Spärrplatta .....	• Pawl friction plate .....			
B10	1	1	1	691696	• Skruv .....	• Screw .....			
B11	1	1	1	498144	• Linhjul m. fjäder .....	• Pulley/spring .....			
B12	1	1	1	498144	• Linhjul m. fjäder .....	• Pulley/spring .....			

**23 ENGINE GASKET SET**



**21 CARBURETOR OVERHAUL KIT**



**22 CARBURETOR GASKET SET**





Utgåva Issue 2004- 12		Bildnr Picture No 1278A		BRIGGS & STRATTON 127707, 12F702 PACKNINGSSATS		BRIGGS & STRATTON 127707, 12F702 GASKET SET		Sida Page 420	
Pos. Fig.	Antal/Quantity			Art nr Part No	Benämning	Description	Sats Kit	Anmärkning Notes	
	127 707- 1736	127 707- 1792	12F 702- 1766						
A01	1	1	1	299819	• Tätningsring .....	• Oil seal .....			
A03	1	1	1	399781	• Tätningsring .....	• Oil seal .....			
A04	1	1	1	272653	• Packning .....	• Gasket .....			
A05	1	1	1	270344	• Tätning .....	• Seal .....			
A06	1	1	1	493823	• Distans .....	• Spacer .....			
A07	1	1	1	272199	• Packning .....	• Gasket .....			
A08	1	1	1	691879	• Packning .....	• Gasket .....			
A09	1	1	1	691031	• O- ring .....	• O- ring .....			
A10	1	1	1	692296	• Tätningsring .....	• Tube seal .....			
A11	1	1	1	692232	• Packning .....	• Gasket .....			
A12	1	1	1	692249	• Packning .....	• Gasket .....			
A14	1	1	1	691242	• Flottöraxel .....	• Float hinge pin .....			
A15	1	1	1	694468	• Expansionsbricka .....	• Welch plug .....			
A16	1	1	1	398188	• Bränslenål .....	• Inlet valve .....			
A17	1	1	1	693981	• Packning .....	• Gasket .....			
A18	1	1	1	271716	• Tätningsbricka .....	• Sealing washer .....			
A19	1	1	1	691321	• Dammtätning .....	• Dust seal .....			
A21	1	1	1	498260	Rep.sats förgasare .....	Carb. overhaul kit .....			
A22	1	1	1	498261	Packn.sats- förg. ....	Gasket set- carb. ....			
A23	1	1	1	497316	Packn.sats- motor .....	Gasket set- engine .....			