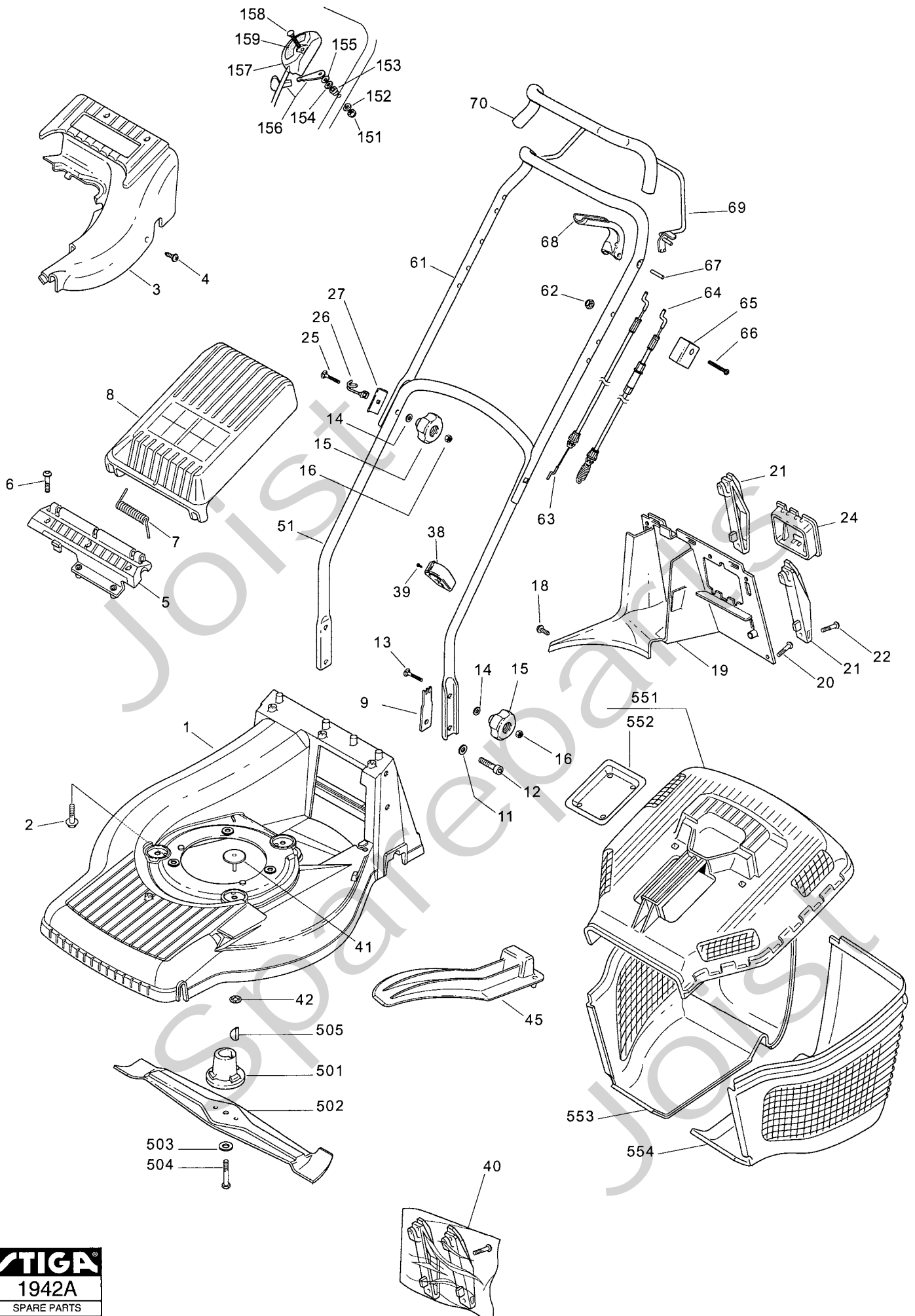


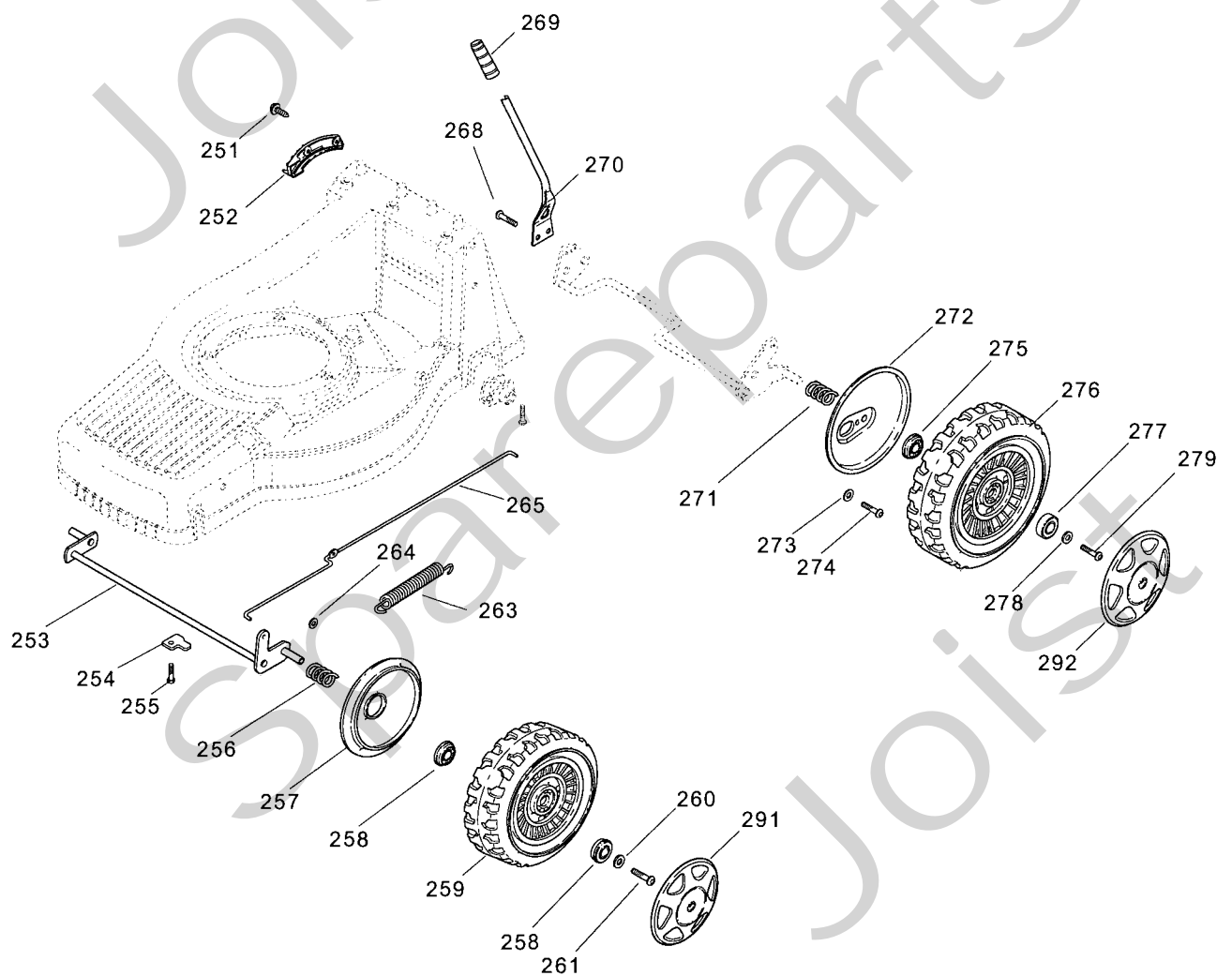
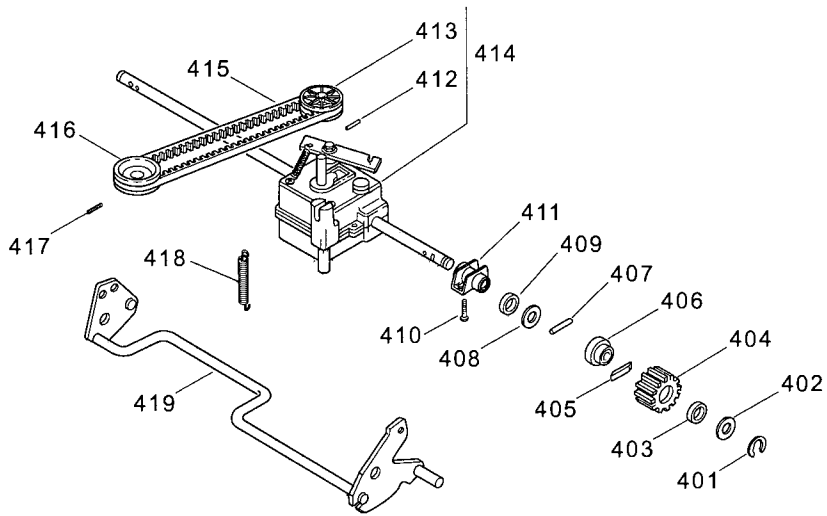
Genuine Spare Parts



Joist
Spareparts
Joist



Utgåva Issue		Bildnr Picture No		COLLECTOR 55S CHASSI STYRE		COLLECTOR 55S CHASSIS HANDLE		Sida Page
2006- 12		1942A						172
Pos. Fig.	Antal/Quantity		Art nr Part No	Benämning	Description	Sats Kit	Anmärkning Notes	
	9234 -71	9286 -71						
1	1	1	1111-3598-01	Chassi- gul.....	Chassis- yellow			
2	3	3	9955-3732-12	Skruv	Screw			
3	1	1	1111-3597-01	Täckåpa- gul.....	Cover- yellow			
4	3	3	9838-9522-12	Skruv	Screw			
5	1	1	1111-2793-01	Luckinfästning- gul	Flap attachm.- yellow			
6	3	3	9947-0616-16	Skruv	Screw			
7	1	1	1111-2792-01	Fjäder.....	Spring			
8	1	1	1111-3283-01	Lucka- gul.....	Flap- yellow			
9	2	2	1111-3024-01	Fästplatta.....	Attachment plate			
11	2	2	9699-0028-02	Planbricka.....	Flat washer			
12	2	2	9939-0820-16	Skruv	Screw			
13	2	2	9899-3557-12	Skruv	Screw			
14	4	4	9699-0028-02	Planbricka.....	Flat washer			
15	4	4	1111-3023-01	Låsratt	Locking knob			
16	4	4	9795-3531-02	Mutter	Nut			
18	1	1	9838-9522-12	Skruv	Screw			
19	1	1	1111-3335-01	Bakstam.....	Rear attachment.....			
20	3	3	9947-0616-16	Skruv	Screw			
X 21	1	1	1136-2044-01	Hållare, vä+hö.....	Attachment, LH+RH			
22	4	4	9836-9520-12	Skruv	Screw			
24	1	1	1111-2927-01	Batterihållare	Battery holder			
25	2	2	9899-3557-12	Skruv	Screw			
26	1	1	1111-3062-01	Ögla.....	Eyelink			
27	2	2	1111-0178-00	Förstärkning	Reinforcement.....			
38	1	1	1111-2018-01	Kabelhållare.....	Cable holder			
39	1	1	9836-9216-12	Skruv	Screw			
40	1	1	1111-3569-01	Tillbehörspåse	Accessory bag.....			
41	1	1	1111-3095-01	Täckbricka- gul	Cap- yellow			
42	1	1	9675-0012-02	Starlock	Locking washer.....			
45	1	1	1111-3333-02	Mulcherplugg	Mulch plug			
51	1	1	1111-3248-01	Styre- underdel	Handlebar- lower part.....			
61	1	1	1117-1095-01	Styre- överdel	Handle- upper part			
62	1	1	9747-0631-02	Låsmutter	Lock nut			
63	1	1	1136-1914-01	Motorbromswire.....	Engine brake cable			
X 63	1	1	1136-2439-01	Motorbromswire.....	Engine brake cable			
64	1	1	1111-3387-01	Kopplingswire.....	Clutch cable			
65	1	1	1111-2969-01	Wirefäste	Cable attachment			
66	1	1	9948-0640-16	Skruv	Screw			
67	1	1	9595-0258-00	Spännstift	Locating pin			
68	1	1	1117-3221-01	Manöverbygel.....	OPC lever			
69	1	1	1117-1374-01	Manöverbygel.....	Control handle.....			
70	1	1	1117-3036-01	Skumgrepp.....	Foam grip.....			
151	1	1	1136-0604-01	Mutter	Nut			
152	1	1	1136-0611-01	Låsbricka	Grower			
153	1	1	1136-0659-01	Distans	Spacer			
154	1	1	9699-0035-02	Planbricka.....	Flat washer			
155	1	1	1136-0606-01	Fjäderbricka	Spring washer.....			
156	1	1	1136-0766-01	Gasreglagearm	Throttle lever.....			
157	1	1	1136-0764-01	Gasreglagekabel	Throttle cable			
158	1	1	1136-0618-01	Skruv	Screw			
159	1	1	1136-1857-01	Dekal	Label			
501	1	1	1111-9070-01	Knivfäste.....	Blade holder.....			
502	1	1	1111-9091-01	Kniv	Blade			
503	1	1	9696-0011-01	Bricka	Washer			
504	1	1	9987-5251-12	Skruv	Screw			
505	1	1	9600-0014-00	Kil	Key			
551	1	1	1111-2840-01	Uppsamlarlock- gul.....	Top collector- yellow			
552	1	1	1111-2764-01	• Täckbricka	• Cover			
553	1	1	1111-2842-10	Uppsaml. under- hö.....	Collector lower- R			
554	1	1	1111-2841-10	Uppsaml. under- vä.....	Collector lower- L			



Utgåva Issue		Bildnr Picture No		COLLECTOR 55S TRANSMISSION HJULUPPHÄNGNING		COLLECTOR 55S TRANSMISSION WHEEL SUSPENSION		Sida Page	
2006- 12		1945						174	
Pos. Fig.	Antal/Quantity			Art nr Part No	Benämning	Description	Sats Kit	Anmärkning Notes	
	9234 -71	9286 -71							
X 251	2	2		9838-9522-12	Skruv	Screw			
252	1	1		1111-2798-01	Höjdinst. segment	Height adj. quadrant			
253	1	1		1136-2441-01	Framaxel	Front axle			
254	2	2		1111-1504-01	Överfall	Retainer			
255	2	2		9947-0616-16	Skruv	Screw			
256	2	2		1111-1138-01	Fjäder	Spring			
257	2			1111-2785-01	Täckbricka	Wheel cover			
257		2		9699-0037-02	Bricka	Washer			
258	4	4		1136-0655-01	Kullager	Ball bearing			
259	2	2		1136-1520-01	Hjul	Wheel			
260	2	2		9699-0100-02	Bricka	Washer			
261	2	2		9943-0612-16	Skruv	Screw			
263	1	1		1111-2819-01	Fjäder	Spring			
264	2	2		9675-0011-00	Starlock	Starlock			
265	1	1		1111-3031-01	Dragstång	Height adj. rod			
268	2	2		9943-0610-16	Skruv	Screw			
269	1	1		1111-2817-01	Handtag	Lever knob			
270	1	1		1111-2816-01	Spak	Height adj. lever			
271	2	2		1111-3060-01	Fjäder	Spring			
272	2	2		1111-3395-01	Täckplåt	Cover plate			
273	2	2		9699-0060-02	Planbricka	Flat washer			
274	2	2		9943-0610-16	Skruv	Screw			
275	1	1		1111-3296-01	• Kullager	• Ball bearing			
276	2	2		1111-3026-01	Hjul m. kullager	Wheel w. ball bearings		Inkl. pos 275, 277	
277	1	1		9549-0001-00	• Kullager	• Ball bearing			
278	2	2		9699-0100-02	Bricka	Washer			
279	2	2		9943-0612-16	Skruv	Screw			
291	2	2		1136-1894-01	Navkapsel- gul	Hub cap- yellow			
292	2	2		1111-3086-01	Navkapsel- gul	Hub cap- yellow			
401	2	2		9652-0010-04	Låsring	Snap ring			
402	2	2		9695-0013-00	Bricka	Washer			
403	2	2		1111-2830-01	Stödbricka	Support washer			
404	2	2		1111-3075-01	Kuggjul- plasthjul	Pinion- plastic wheel			
405	2	2		1111-3256-01	Drivkil	Drive key			
406	2	2		1111-2829-01	Låsbricka	Lock washer			
407	2	2		1111-2382-01	Cyl. pinne	Pin			
408	2	2		9695-0013-00	Bricka	Washer			
409	2	2		9404-0083-00	Tätningring	Seal ring			
410	4	4		9947-0616-16	Skruv	Screw			
411	2	2		1111-2814-01	Bussning	Bushing			
412	1	1		9595-0235-00	• Spännstift	• Locating pin			
413	1	1		1111-3440-01	• Remskiva	• Belt pulley			
414	1	1		1111-3401-02	Transmission kpl	Transmission assy		Inkl. pos 412 - 413	
415	1	1		9585-0137-01	Drivrem	Drive belt			
416	1	1		1111-2915-01	Motorremskiva	Engine belt pulley			
417	1	1		9910-0612-16	Stoppskruv	Set screw			
418	1	1		1111-2822-01	Dragfjäder	Tension spring			
419	1	1		1111-2808-01	Bakaxel	Rear axle			