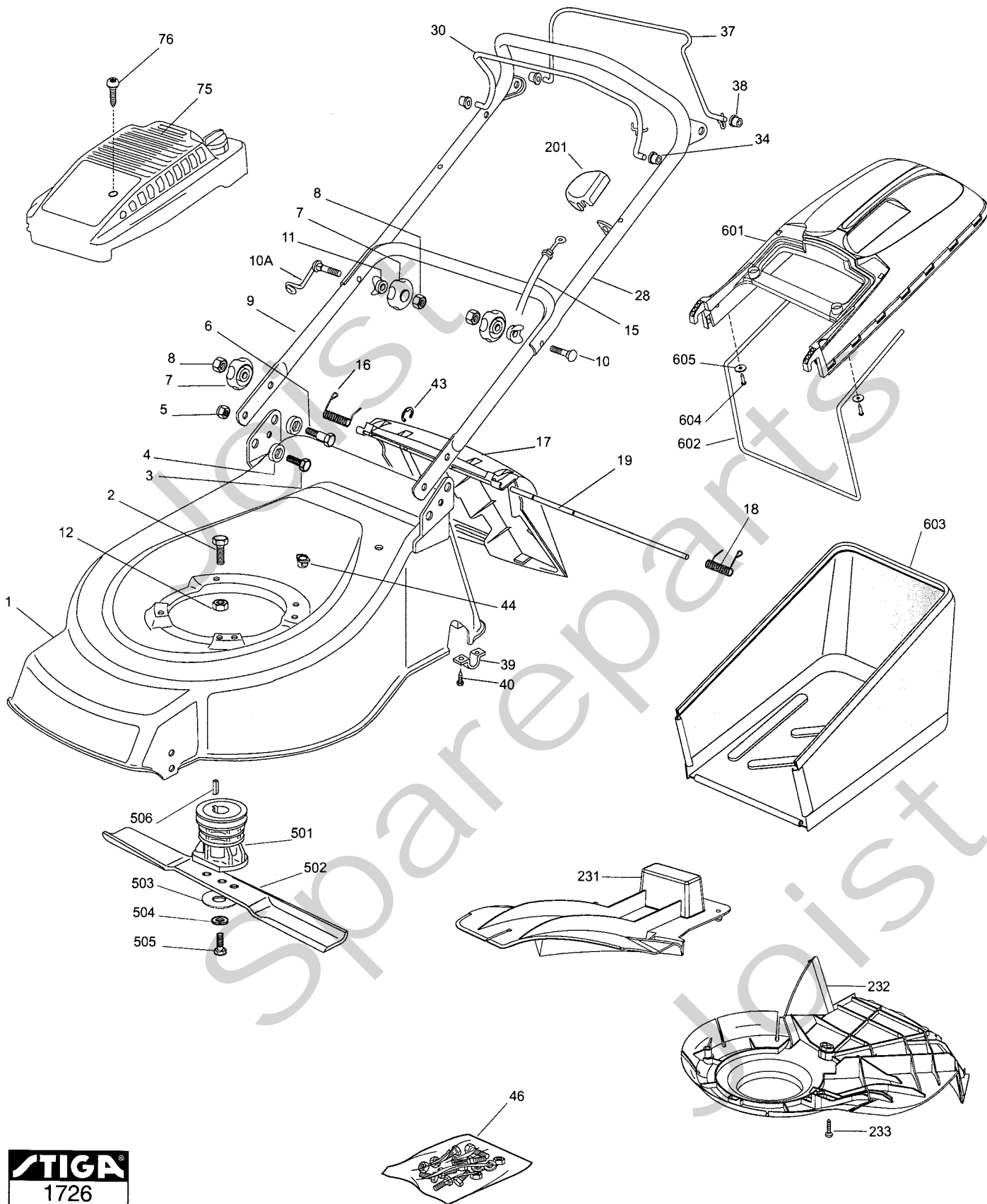


# Genuine Spare Parts

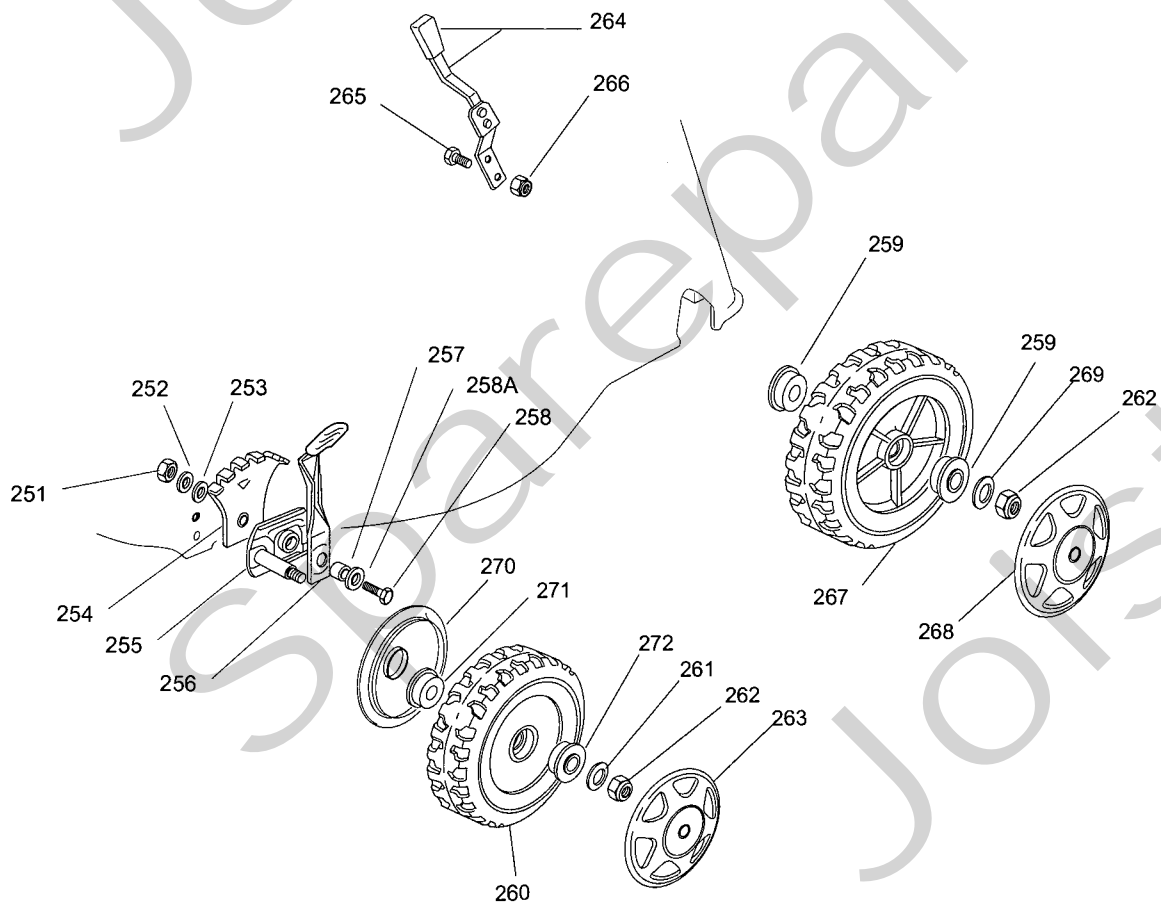
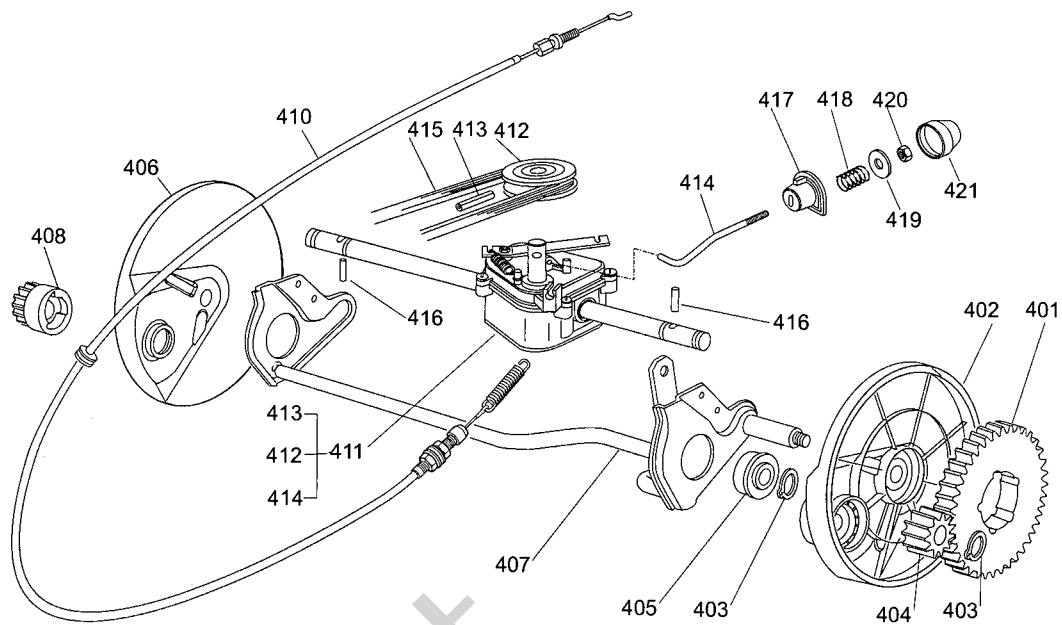
---



Joist  
Spareparts  
Joist




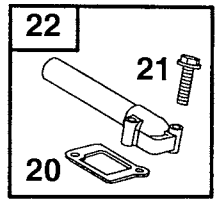
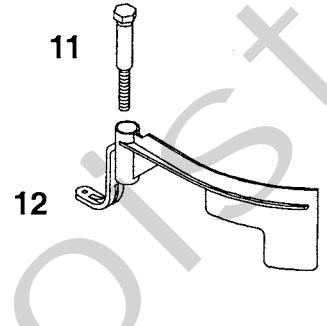
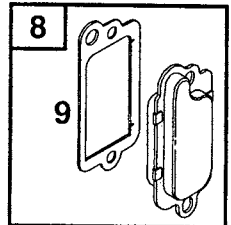
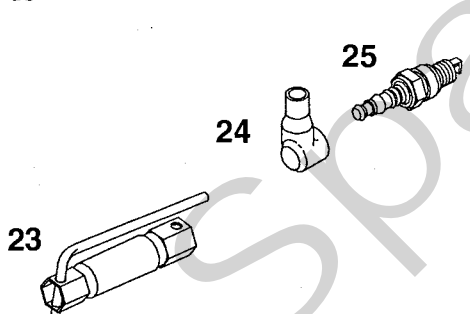
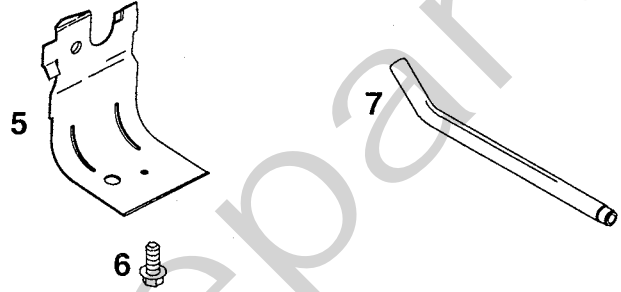
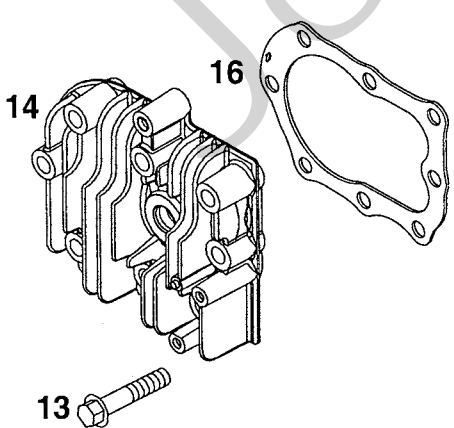
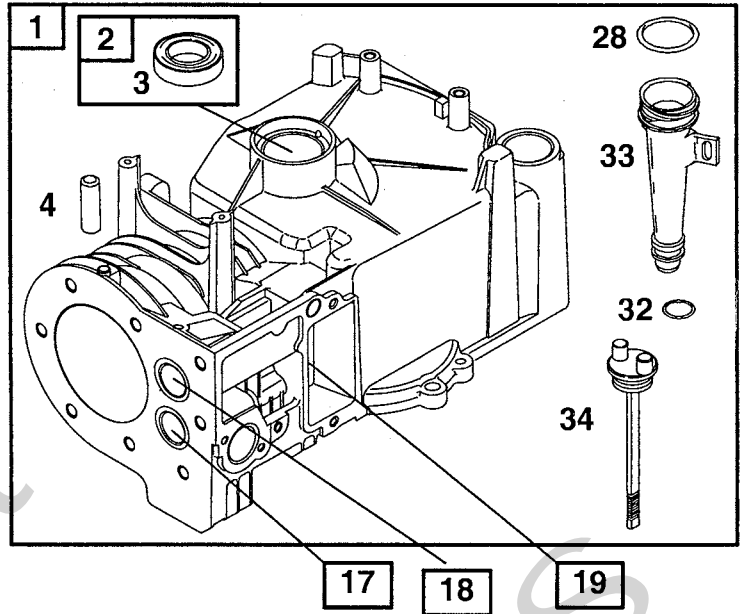
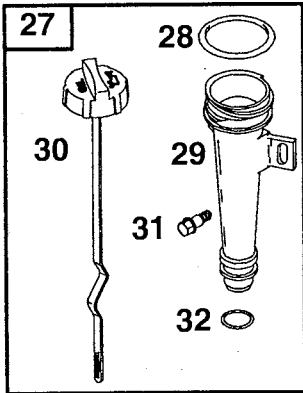
Utgåva Issue		Bildnr Picture No		RAZER 48S COMBI CHASSI UPPSAMLARE		RAZER 48S COMBI CHASSIS GRASS COLLECTOR		Sida Page
2004-12		1726						142
Pos. Fig.	Antal/Quantity			Art nr Part No	Benämning	Description	Sats Kit	Anmärkning Notes
	7281 -03							
X	1	1		1136-1529-01	Chassi- gul.....	Chassis- yellow .....		
	2	3/2		9997-0830-16	Skruv .....	Screw .....		L = 30 mm
	2	0/1		9997-0860-16	Skruv .....	Screw .....		L = 60 mm
	3	2		9997-0816-16	Skruv .....	Screw .....		
	4	4		1136-0637-01	Bussning .....	Bush .....		
	5	2		9747-0831-02	Mutter .....	Lock nut .....		
	6	2		1136-0617-01	Skruv .....	Screw .....		
	7	4		1117-3194-01	Lås ratt .....	Locking knob .....		
	8	4		9799-0831-02	Mutter .....	Nut .....		
	9	1		1136-0758-01	Styre- underdel .....	Handle- lower .....		
	10	1		1136-0620-01	Skruv .....	Screw .....		
	10A	1		1136-0747-01	Skruv m. ögla .....	Screw w. loop .....		
	11	2		1136-0693-01	Bricka .....	Washer .....		
	12	3/2		9739-0831-22	Mutter .....	Nut .....		
	12	0/1		9747-0831-02	Mutter .....	Lock nut .....		
	15	1		1136-0714-01	Motorbromswire .....	Engine brake cable .....		
	16	1		1136-0670-01	Fjäder- hö .....	Spring- RH .....		
	17	1		1136-1347-01	Lucka .....	Flap .....		
	18	1		1136-0671-01	Fjäder- vä .....	Spring- LH .....		
	19	1		1136-0680-01	Pivotaxel .....	Pivot pin .....		
	28	1		1136-0763-01	Styre- överdel .....	Handle- upper .....		
	30	1		1136-0746-01	Motorbromsbygel .....	Engine brake lever .....		
	34	2		1136-0640-01	Bussning .....	Bush .....		
	37	1		1136-0745-01	Drivbygel .....	Drive lever .....		
	38	2		1136-0639-01	Bussning .....	Bush .....		
	39	2		1136-0682-01	Bygel .....	Plate .....		
	40	4		9847-8119-16	Skruv .....	Screw .....		
	43	1		1136-0603-01	Låsring .....	Snap ring .....		
	44	1		1136-0665-01	Gummihylsa .....	Rubber insert .....		
X	46	1		1136-1534-01	Skruvsats .....	Screw set .....		
	75	1		1111-3287-01	Motorkåpa- svart .....	Engine cover- black .....		
	75	1		1111-3287-02	Motorkåpa- grå .....	Engine cover- grey .....		
	76	2		9828-7942-12	Skruv .....	Screw .....		
	201	1		1136-0691-01	Skydd .....	Protection .....		
	231	1		1136-1338-01	Mulcherplugg .....	Deflector .....		
	232	1		1136-1329-01	Skyddskåpa .....	Protection .....		
	233	2		1136-0615-01	Skruv .....	Screw .....		
	501	1		1111-9120-01	Knivfäste m.remskiva .....	Hub w. pulley .....		
	502	1		1111-9121-01	Kniv .....	Blade .....		
	503	1		1136-0083-01	Fjäderbricka .....	Elastic washer .....		
	504	1		1136-0015-01	Bricka .....	Washer .....		
	505	1		1136-0616-01	Bult .....	Screw .....		
	506	1		9600-0014-00	Kil .....	Key .....		
	601	1		1136-1344-01	Uppsamlare- överdel .....	Grass box- upper .....		
	602	1		1136-1349-01	Trådbygel .....	Wire frame .....		
	603	1		1136-1367-01	Uppsamlingskorg .....	Grass bag .....		
	604	2		9836-9525-12	Skruv .....	Screw .....		
	605	2		9699-0085-02	Planbricka .....	Flat washer .....		



Utgåva Issue		Bildnr Picture No		RAZER 48S COMBI HJULUPPHÄNGNING TRANSMISSION		RAZER 48S COMBI WHEEL SUSPENSION TRANSMISSION		Sida Page	
2004-12		1727						144	
Pos. Fig.	Antal/Quantity				Art nr Part No	Benämning	Description	Sats Kit	Anmärkning Notes
	7281 -03								
251	2			9799-0831-02	Mutter.....	Nut.....			
252	2			9683-0030-02	Låsbricka.....	Lock washer.....			
253	2			1136-0014-01	Bricka.....	Washer.....			
254	2			1136-0696-01	Höjdinställn.sektor.....	Wheel adjust sector.....			
255	2			1136-0754-01	Hjulstöd.....	Wheel support.....			
256	2			1136-0744-01	Höjdinställningsspak.....	Height adjust lever.....			
257	2			1136-0084-01	Distans.....	Spacer.....			
258	2			9997-0830-16	Skruv.....	Screw.....			
258A	2			9699-0028-02	Planbricka.....	Flat washer.....			
259	4			1136-0655-01	Lager.....	Bearing.....			
260	2			1111-3163-01	Hjul.....	Wheel.....			
261	2			9699-0028-02	Planbricka.....	Flat washer.....			
262	4			9747-0831-02	Mutter.....	Lock nut.....			
263	2			1111-3084-01	Navkapsel- gul.....	Hub cap- yellow.....			
264	1			1136-0742-01	Höjdinställningsspak.....	Height adjust lever.....			
265	2			9997-0512-16	Skruv.....	Screw.....			
266	2			9747-0531-02	Mutter.....	Nut.....			
267	2			1136-0772-01	Hjul.....	Wheel.....			
268	2			1136-0646-01	Navkapsel- gul.....	Hub cap- yellow.....			
269	2			1136-0006-01	Fjäderbricka.....	Elastic washer.....			
270	2			1117-1161-01	Hjulsköld.....	Wheel protection.....			
271	2			1111-3165-01	Bussning.....	Bushing.....			
272	2			1111-3325-01	Bussning.....	Bushing.....			
401	2			1136-0653-01	Kuggkrans.....	Ring gear.....			
402	1			1136-0690-01	Hjulskydd- vä.....	Wheel protection- LH.....			
403	4			9650-0012-04	Seegersäkring.....	Circlip.....			
404	1			1136-0685-01	Drev- vä.....	Pinion- LH.....			
405	2			1136-0632-01	Lager.....	Bearing.....			
406	1			1136-0689-01	Hjulskydd- hö.....	Wheel protection- RH.....			
407	1			1136-0713-01	Bakaxel.....	Rear wheel axle.....			
408	1			1136-0684-01	Drev- hö.....	Pinion- RH.....			
X 410	1			1136-1459-01	Kopplingswire.....	Clutch cable.....			
X 411	1			1136-1456-01	Transmission kpl.....	Gearbox assy (black).....		Inkl. pos 412 - 414	
412	1			1136-0692-01	• Remskiva.....	• Pulley.....			
413	1			1136-0612-01	• Stift.....	• Pin.....			
X 414	1			1136-1454-01	• Justerstång.....	• Adjustment rod.....			
415	1			1111-9123-01	Drivrem.....	Drive belt.....			
416	2			1136-0697-01	Stift.....	Pin.....			
417	1			1136-0638-01	Bussning.....	Bush.....			
418	1			1136-0668-01	Fjäder.....	Spring.....			
419	1			1136-0091-01	Bricka.....	Washer.....			
420	1			9747-0631-02	Låsmutter.....	Lock nut.....			
421	1			1136-0081-01	Navkapsel.....	Hub cap.....			

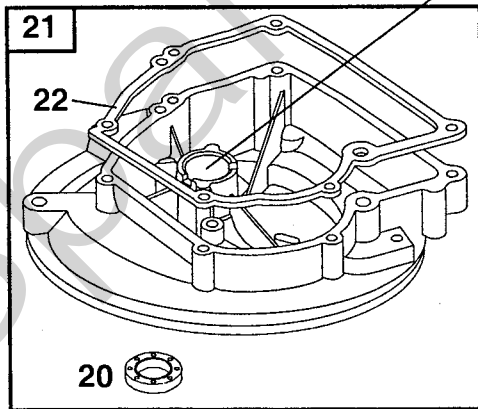
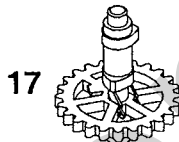
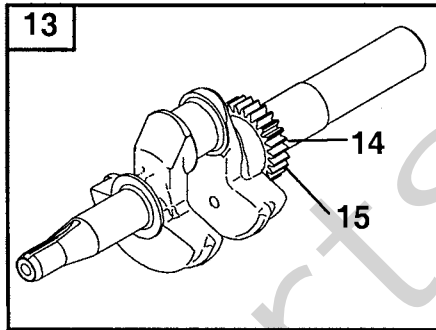
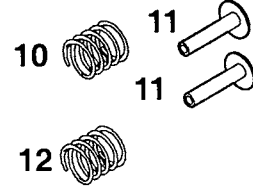
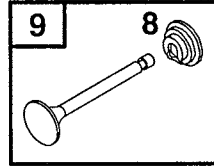
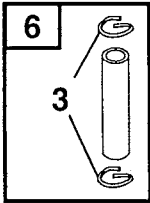
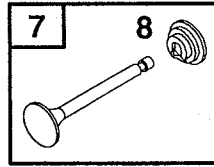
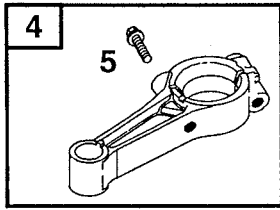
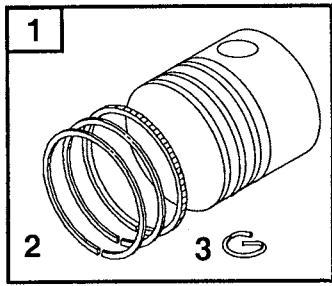
A

15 



Utgåva Issue 2004-12		Bildnr Picture No 1476		BRIGGS & STRATTON 10D902 CYLINDER		BRIGGS & STRATTON 10D902 CYLINDER		Sida Page 384
Pos. Fig.	Antal/Quantity			Art nr Part No	Benämning	Description	Sats Kit	Anmärkning Notes
	10D 902- 0141	10D 902- 0153						
X	A01	1		399164	Cylinder kpl.....	Cylinder assy.....		
	A01		1	699653	Cylinder kpl.....	Cylinder assy.....		
	A02	1	1	399269	• Bussning.....	• Bushing.....		
	A03	1	1	299819	• Tätningsring.....	• Oil seal.....	S	
	A04	2	2	690959	• Tapp.....	• Locating pin.....		
	A05	1	1	690400	Skyddsplåt.....	Cylinder shield.....		
	A06	1	1	690345	Skruv.....	Screw.....		
	A07	1	1	691245	Rör.....	Breather tube.....		
	A08	1		495785	Vevhusventilation.....	Breather.....		
X	A08		1	699640	Vevhusventilation.....	Breather.....		
	A09	1		272602	• Packning.....	• Gasket.....	S	
	A09		1	695890	• Packning.....	• Gasket.....	S	
	A10	2	2	691666	Skruv.....	Screw.....		
	A11	1	1	691107	Skruv.....	Screw.....		
	A12	1	1	691912	Regulatorvinge.....	Governor blade.....		
X	A13		8	691640	Skruv.....	Screw.....		
	A13	8		691697	Skruv.....	Screw.....		
	A14	1	1	690386	Topplöck.....	Cylinder head.....		
	A15	1	1	692889	Distans.....	Spacer.....		
	A16	1		692288	Topplöckspackning.....	Cylinder head gasket.....	S	
X	A16		1	698717	Topplöckspackning.....	Cylinder head gasket.....	S	
	A17	1		691702	• Ventilåte- utblås.....	• Valve seat- exhaust.....		
X	A17		1	699642	• Ventilåte- utblås.....	• Valve seat- exhaust.....		
	A18	1		691701	• Ventilåte- insug.....	• Valve seat- intake.....		
X	A18		1	699641	• Ventilåte- insug.....	• Valve seat- intake.....		
	A19	1		231348	• Ventilstyrning- utblås.....	• Guide bushing- exhaust.....		
	A19	1		63709	• Ventilstyrning- insug.....	• Guide- intake valve.....		
X	A19		1	699643	• Ventilstyrning- utblås.....	• Valve guide- exhaust.....		
X	A20	1		270345	• Packning.....	• Gasket.....	S	
X	A20		1	699649	• Packning.....	• Gasket.....	S	
	A21	2	2	691111	• Skruv.....	• Screw.....		
	A22	1		693446	Insugningsrör.....	Intake manifold.....		
X	A22		1	699644	Insugningsrör.....	Intake manifold.....		
	A23	1	1	1111-9029-01	Tändstiftsnyckel.....	Spark plug wrench.....		
	A24	1	1	66538	Tändstiftsskydd.....	Spark plug elbow.....		
	A25	1	1	9400-0225-00	Tändstift.....	Spark plug.....		Champion J19LM
	A27	1		691440	Oljesticka kpl.....	Dipstick assy.....		
	A28	1	1	691870	• Tätningsring.....	• Seal.....		
	A29	1		691320	• Påfyllningsrör.....	• Dipstick tube.....		
	A30	1		692040	• Oljesticka.....	• Dipstick.....		
	A31	1		691002	• Skruv.....	• Screw.....		
	A32	1	1	691876	• Tätningsring.....	• Dipstick tube seal.....	S	
	A33		1	691320	• Påfyllningsrör.....	• Dipstick tube.....		
	A34		1	691913	• Oljesticka.....	• Oil dipstick.....		

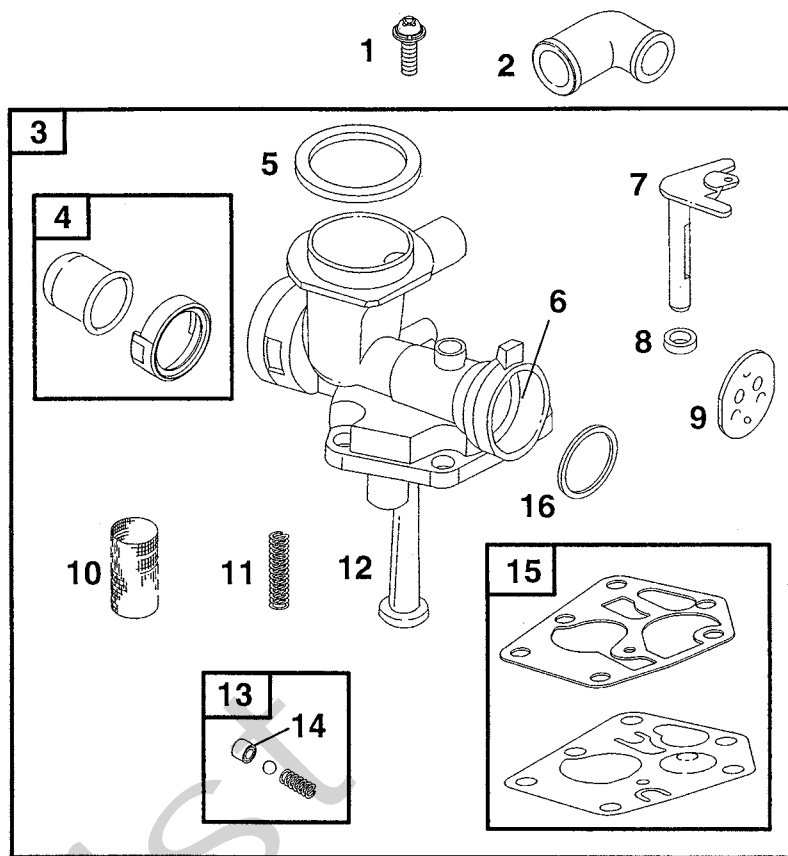
A



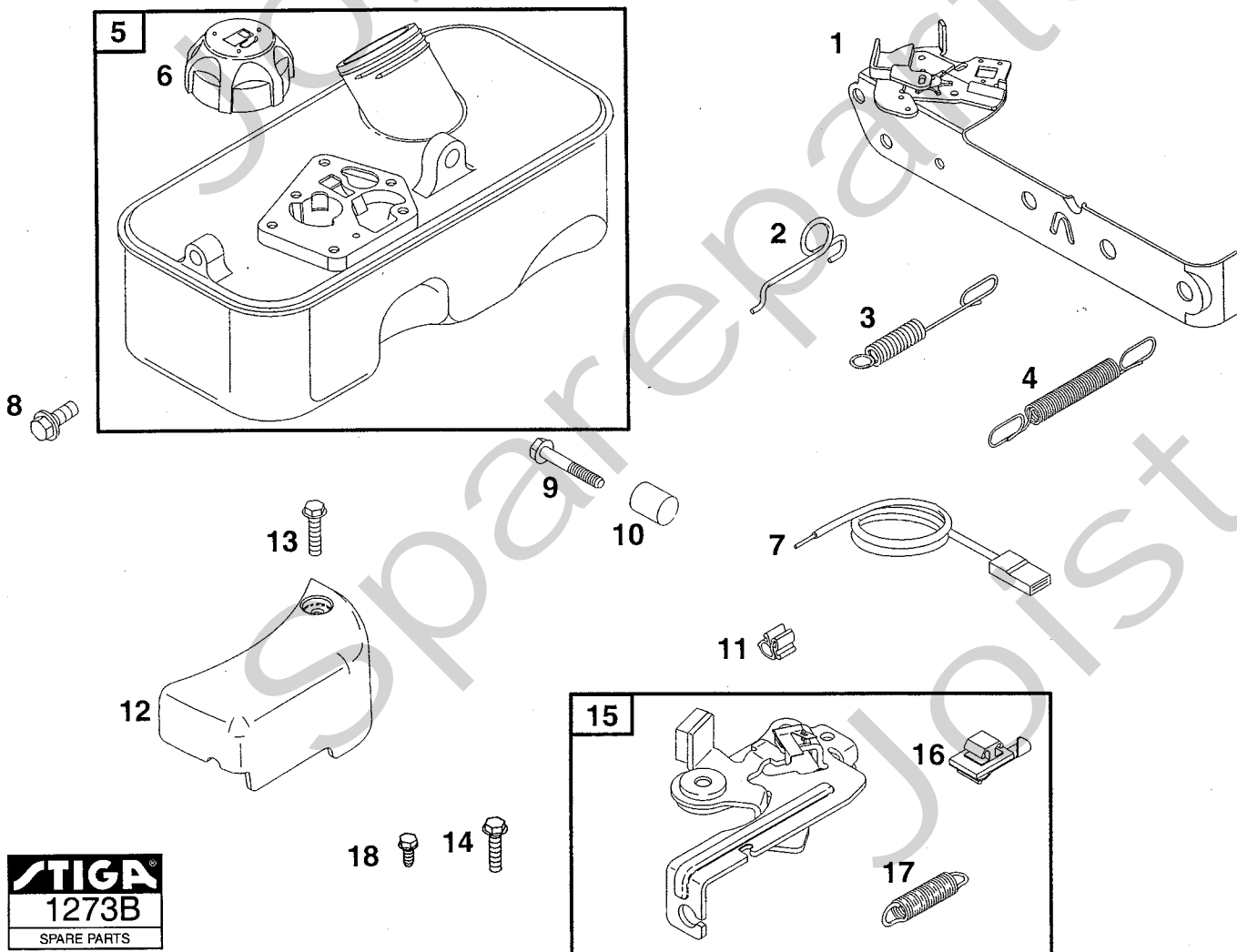


Utgåva Issue 2004-12		Bildnr Picture No 1477		BRIGGS & STRATTON 10D902 VEVAXEL VEVHUS		BRIGGS & STRATTON 10D902 CRANKSHAFT CRANKCASE		Sida Page 386
Pos. Fig.	Antal/Quantity			Art nr Part No	Benämning	Description	Sats Kit	Anmärkning Notes
	10D 902- 0141	10D 902- 0153						
	A01	1		498668	Kolv kpl.....	Piston assy .....		Standard
	A01	1		498669	Kolv kpl.....	Piston assy .....		.010" oversize
	A01	1		498670	Kolv kpl.....	Piston assy .....		.020" oversize
	A01	1		498671	Kolv kpl.....	Piston assy .....		.030" oversize
X	A01		1	699657	Kolv kpl.....	Piston assy .....		Standard
	A02	1		498680	• Kolvringsats.....	• Ring set.....		Standard
	A02	1		498681	• Kolvringsats.....	• Ring set.....		.010" oversize
	A02	1		498682	• Kolvringsats.....	• Ring set.....		.020" oversize
	A02	1		498683	• Kolvringsats.....	• Ring set.....		.030" oversize
X	A02		1	699658	• Kolvringsats.....	• Ring set.....		Standard
	A03	2	2	691588	• Låsring .....	• Piston pin lock .....		
	A04	1		496792	Vevstake .....	Connecting rod .....		
X	A04		1	699654	Vevstake .....	Connecting rod .....		
	A05	2	2	691664	• Skruv .....	• Screw.....		
	A06	1		298908	Kolvbult kpl.....	Piston pin assy.....		.005" oversize
	A06	1	1	298909	Kolvbult kpl.....	Piston pin assy.....		Standard
	A07	1	1	296676	Utblåsningsventil.....	Exhaust valve .....		
	A08	2	2	692194	• Ventilhållare .....	• Valve retainer .....		
	A09	1	1	296677	Insugningsventil .....	Intake valve .....		
	A10	1	1	690520	Ventilfjäder .....	Valve spring .....		
	A11	2	2	691762	Ventilyftare .....	Valve tappet .....		
	A12	1	1	690520	Ventilfjäder .....	Valve spring .....		
	A13	1	1	691471	Vevaxel .....	Crankshaft.....		
	A14	1	1	499047	• Stift.....	• Pin.....		
	A15	1	1	691805	• Drev .....	• Timing gear.....		
	A16	1	1	222698	Kil .....	Key .....		
	A17	1	1	691998	Kamaxel.....	Camshaft.....		
	A18	1		691983	Oljeslungare.....	Oil slinger .....		
X	A18		1	698690	Oljeslungare.....	Oil slinger .....		
	A19	1	1	293709	• Bussning.....	• Bushing.....		
	A20	1	1	391483	• Tätningring .....	• Oil seal .....	S	
	A21	1	1	395384	Vevhus.....	Oil sump .....		
	A22	1	1	270895	• Vevhuspackning .....	• Crankcase gasket .....	S	.005" thick
	A22	1	1	270896	• Vevhuspackning .....	• Crankcase gasket .....	S	.009" thick
	A22	1	1	692218	• Vevhuspackning .....	• Crankcase gasket .....	S	.015" thick (Standard)
	A23	1	1	691680	Oljeavtappningsplugg .....	Oil drain plug .....		
	A24	6	6	691662	Skruv .....	Screw .....		
	A31	1		298989	Packningssats .....	Gasket set .....		Märkta/marked S
X	A31		1	699933	Packningssats .....	Gasket set .....		Märkta/marked S

A

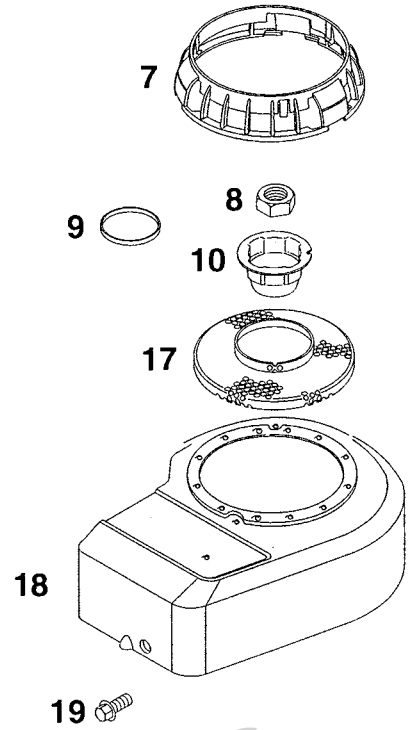
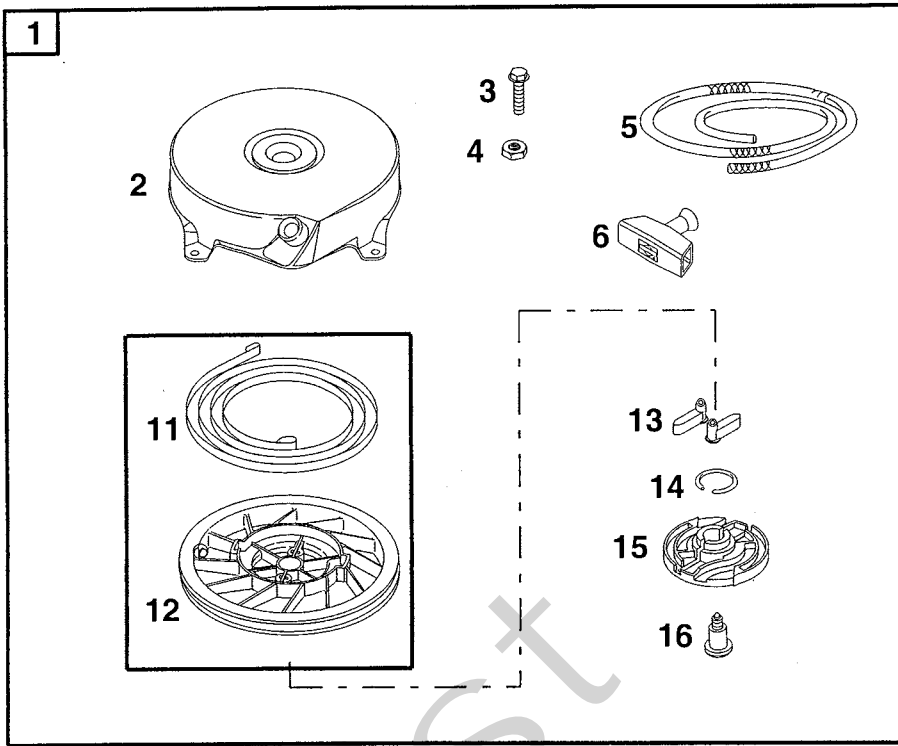


B

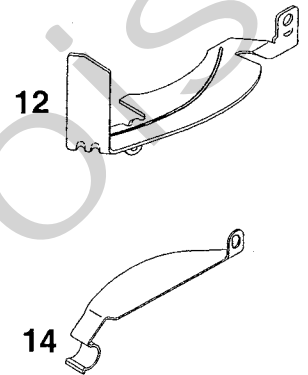
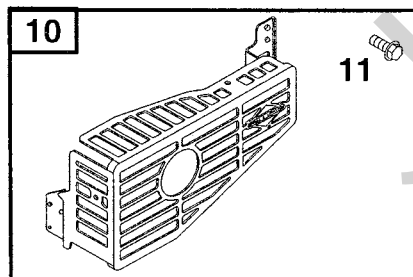
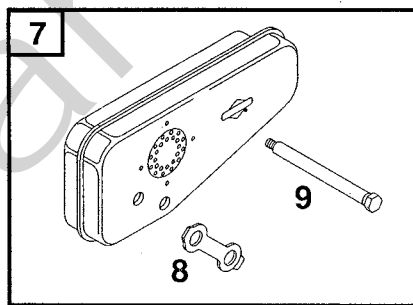
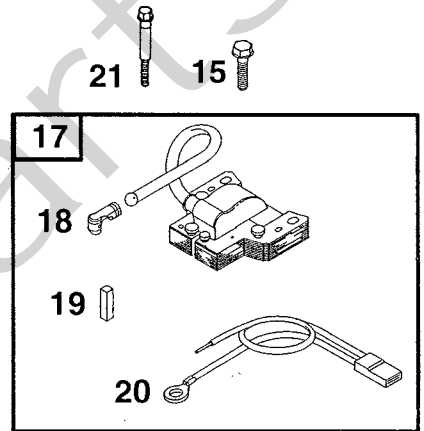
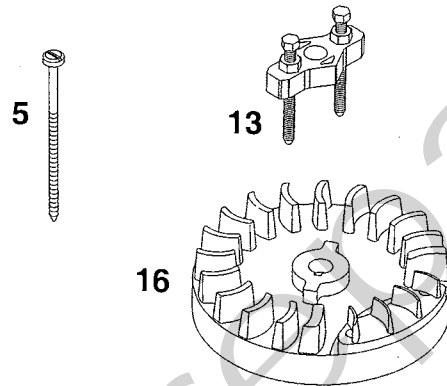
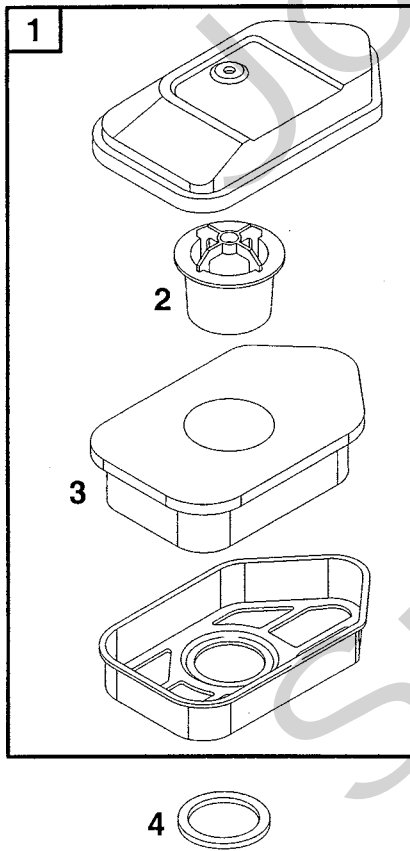


Utgåva Issue		Bildnr Picture No		BRIGGS & STRATTON 10D902 FÖRGASARE BRÄNSLETANK		BRIGGS & STRATTON 10D902 CARBURETTOR FUEL TANK		Sida Page
2004-12		1273B						388
Pos. Fig.	Antal/Quantity			Art nr Part No	Benämning	Description	Sats Kit	Anmärkning Notes
	10D 902- 0141	10D 902- 0153						
A01	4	4		692200	Skruv .....	Screw .....		
A02	1	1		692189	Hylsa .....	Grommet .....		
A03	1	1		498811	Förgasare kpl .....	Carburettor assy .....		
A04	1			494408	• Primer .....	• Primer bulb .....		
A04		1		694394	• Primer .....	• Carburettor primer .....		
A05	1	1		271139	• Packning .....	• Gasket .....		
A06	1	1		270344	• Tätning .....	• Seal .....		
A07	1	1		691931	• Spjällaxel .....	• Throttle shaft .....		
A08	1	1		691321	• Dammtätning .....	• Dust seal .....		
A09	1	1		691190	• Gasspjäll .....	• Throttle valve .....		
A10	1	1		691837	• Nät .....	• Screen .....		
A11	1	1		691839	• Fjäder .....	• Spring .....		
A12	1	1		496046	• Bränslerör .....	• Fuel pipe .....		
A13	1	1		494409	• Ventilsåte .....	• Check valve seat .....		
A14	1	1		691901	• Säte .....	• Inlet seat .....		
A15	1	1		495770	• Membran .....	• Diaphragm .....		
A16	1	1		695866	• O-ring .....	• O-ring seal .....		
B01	1	1		691446	Reglageplåt .....	Control bracket .....		
B02	1	1		690347	Regulatorlänk .....	Air vane link .....		
B03	1			690251	Regulatorfjäder .....	Governor spring .....		
B03		1		690254	Regulatorfjäder .....	Governor spring .....		
B04	1	1		691859	Fjäder .....	Idle spring .....		
B05	1	1		494406	Bränsletank .....	Fuel tank .....		
B06	1	1		497929	• Tanklock .....	• Fuel cap .....		
B07	1	1		692390	Stoppkabel .....	Stop wire .....		
B08	1	1		692198	Skruv .....	Screw .....		
B09	1	1		691697	Skruv .....	Screw .....		
B10	1	1		691633	Distans .....	Spacer .....		
B11	1	1		690586	Wireklämna .....	Wire clip .....		
B12	1	1		691349	Kåpa .....	Linkage cover .....		
B13	1	1		691111	Skruv .....	Screw .....		
B14	2	2		691146	Skruv .....	Screw .....		
B15	1	1		691487	Broms .....	Brake .....		
B16	1	1		692310	• Stoppkontakt .....	• Stop switch .....		
B17	1	1		692135	• Bromsfjäder .....	• Brake spring .....		
B18	1	1		690859	Skruv .....	Screw .....		

A

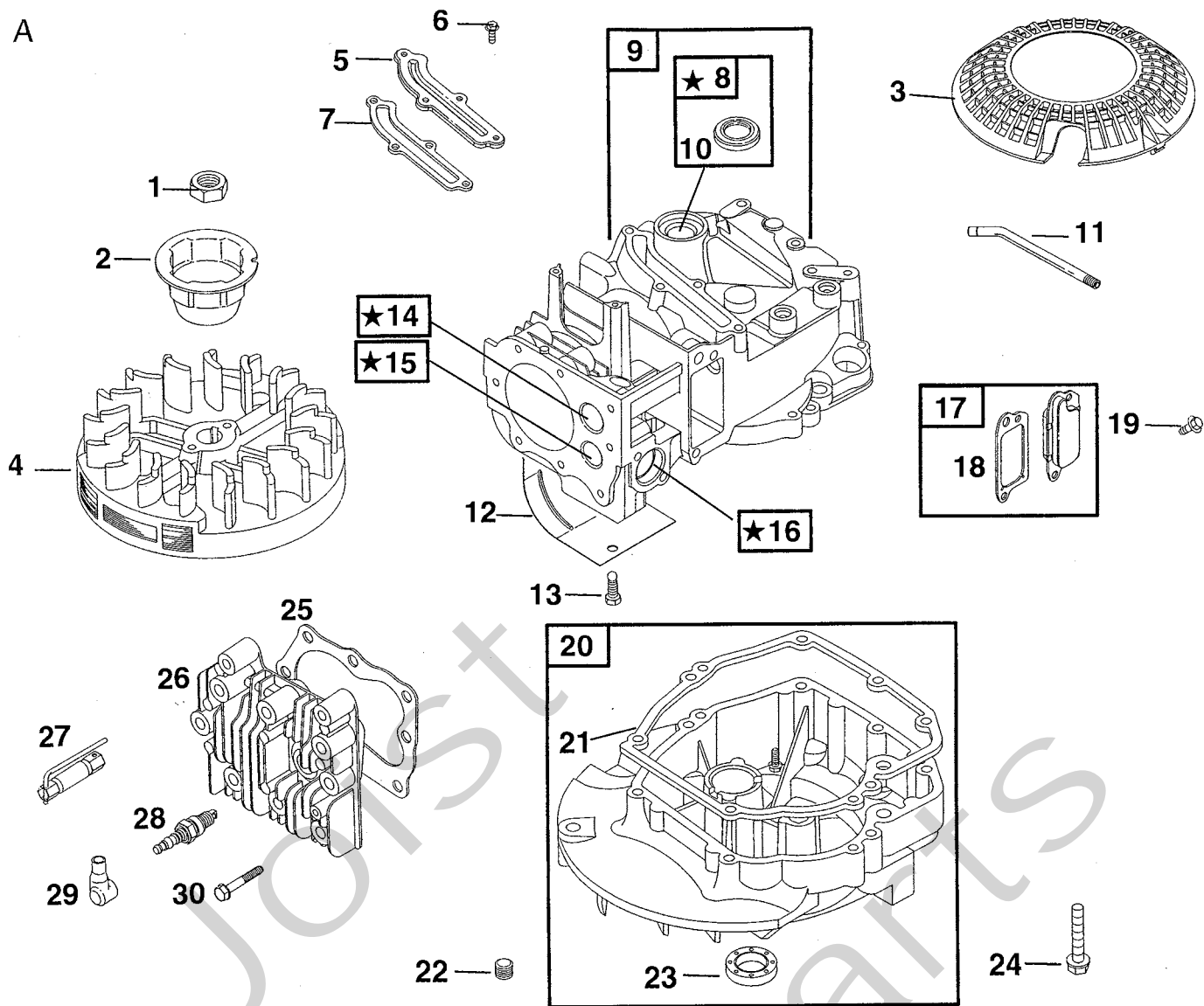


B



Utgåva Issue		Bildnr Picture No		BRIGGS & STRATTON 10D902 START LUFTFILTER		BRIGGS & STRATTON 10D902 STARTER AIR CLEANER		Sida Page	
2004-12		1272A						390	
Pos. Fig.	Antal/Quantity			Art nr Part No	Benämning	Description	Sats Kit	Anmärkning Notes	
	10D 902- 0141	10D 902- 0153							
X	A01	1	1	499706	Start kpl.....	Rewind starter.....			
	A02	1	1	692144	• Starthus.....	• Starter housing.....			
	A03	4	4	690837	• Skruv.....	• Screw.....			
	A04	4	4	690800	• Mutter.....	• Nut.....			
	A05	1	1	692259	• Startsnöre.....	• Starter rope.....			
	A05	1	1	697316	• Startsnöre.....	• Starter rope.....			
	A06	1	1	691915	• Starthandtag.....	• Starter grip.....			
	A07	1	1	691348	Skydd.....	Rewind guard.....			
	A08	1	1	690662	Mutter.....	Flywheel nut.....			
	A09	1	1	694420	Roterande platta.....	Rotating trim plate.....			
	A10	1	1	691236	Svänghjulskopp.....	Flywheel cup.....			
	A11	1	1	499901	• Linhjul m.fjäder.....	• Pulley and spring.....			
	A12	1	1	499901	• Linhjul m.fjäder.....	• Pulley and spring.....			
	A13	2	2	281505	• Startklo.....	• Starter pawl.....			
	A14	1	1	691855	• Friktionsfjäder.....	• Friction spring.....			
	A15	1	1	692299	• Spärrplatta.....	• Pawl friction plate.....			
	A16	1	1	691696	• Skruv.....	• Screw.....			
	A17	1	1	691235	Skyddsnet.....	Rotating screen.....			
X	A17	1	1	699850	Skyddsnet.....	Rotating screen.....			
	A18	1	1	691484	Fläkthus.....	Blower housing.....			
	A19	3	3	692198	Skruv.....	Screw.....			
	B01	1	1	493492	Lufffilter.....	Air cleaner.....			
X	B01	1	1	698472	Lufffilter.....	Air cleaner.....			
	B02	1	1	691911	• Stöd.....	• Support.....			
	B03	1	1	272235	• Filterinsats.....	• Air cleaner filter.....			
X	B03	1	1	698369	• Filterinsats.....	• Air cleaner filter.....			
	B04	1	1	271139	Packning.....	Gasket.....			
	B05	1	1	691417	Skruv.....	Screw.....	S		
	B07	1	1	692307	Ljuddämpare.....	Muffler.....			
	B08	1	1	691179	• Låsbleck.....	• Screw lock.....			
	B09	2	2	691413	• Skruv.....	• Screw.....			
	B10	1	1	494896	Ljuddämparskydd.....	Muffler guard.....			
	B11	2	2	690664	• Skruv.....	• Screw.....			
	B12	1	1	691209	Svänghjulsskydd.....	Flywheel guard.....			
	B13	1	1	19069	Avdragare.....	Puller.....			
	B14	1	1	690482	Svänghjulsskydd.....	Flywheel guard.....			
	B15	2	2	691061	Skruv.....	Screw.....			
	B16	1	1	692009	Svänghjul.....	Flywheel.....			
	B17	1	1	496914	Tändsystem kpl.....	Magneto armature.....			
	B18	1	1	493880	• Anslutningshylsa.....	• Terminal.....			
	B19	1	1	222698	• Kil.....	• Key.....			
	B20	1	1	398808	• Kortslutningskabel.....	• Ground wire.....			
	B21	1	1	691107	Skruv.....	Screw.....			

A



B

