

Genuine Spare Parts

www.stiga.com

COMBI 53 SQB Model Year 2012

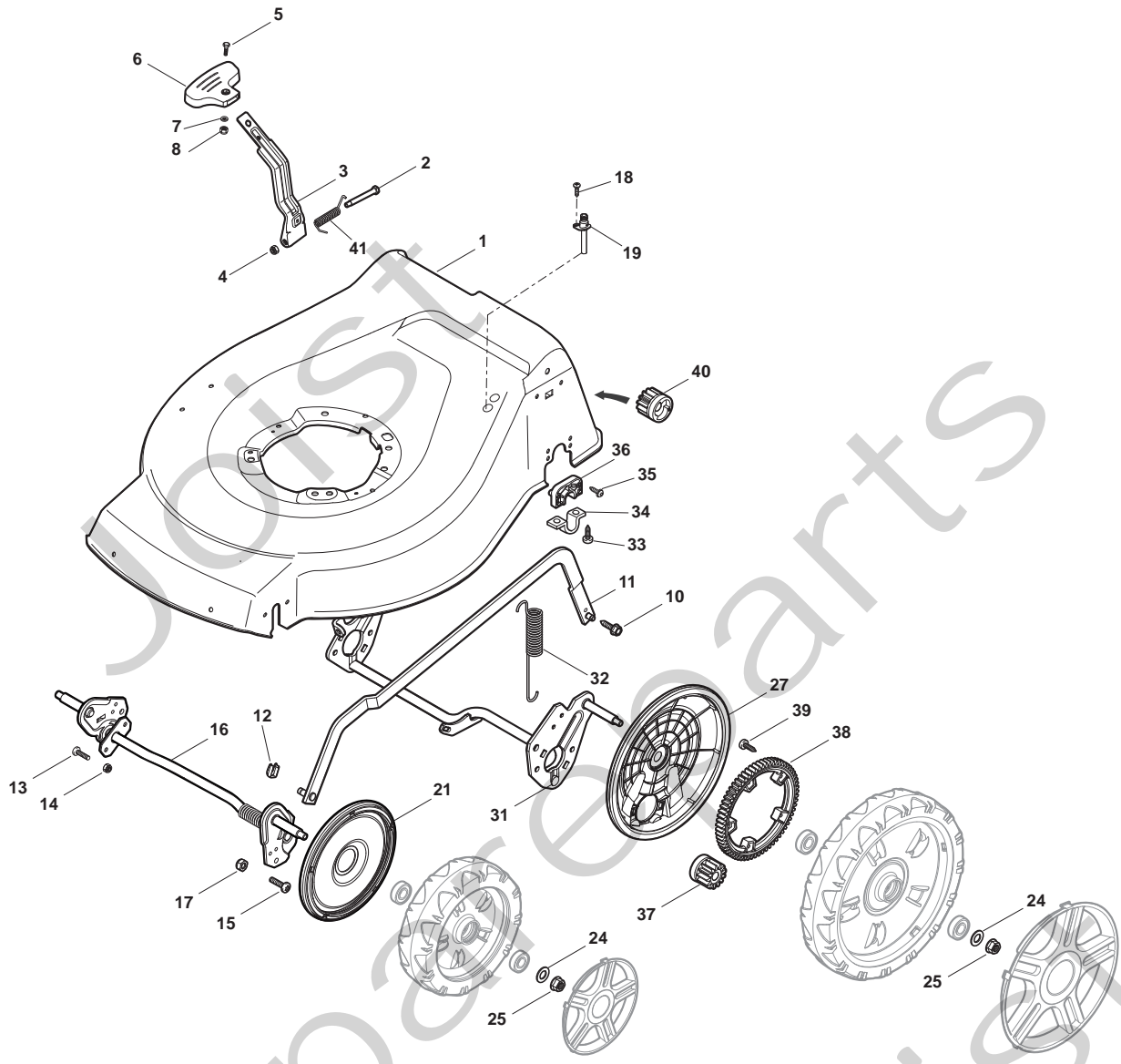
- Use GLOBAL GARDEN PRODUCT Genuine Spare Parts specified in the parts list for repair and/or replacement.
- The contents described in the parts list may change due to improvement.
- The drawings of the spare parts are only indicative and might not represent the part in question exactly.
- The indications "right" - "left" - "front" - "rear" refer to the position of the operator when using the machine.
- When placing orders of parts for repair and/or replacement, make sure that the illustrated parts list is the one applying to the machine's year of manufacture, as shown on the identification plate attached to the machine.

© Copyright 2012 Global Garden Products

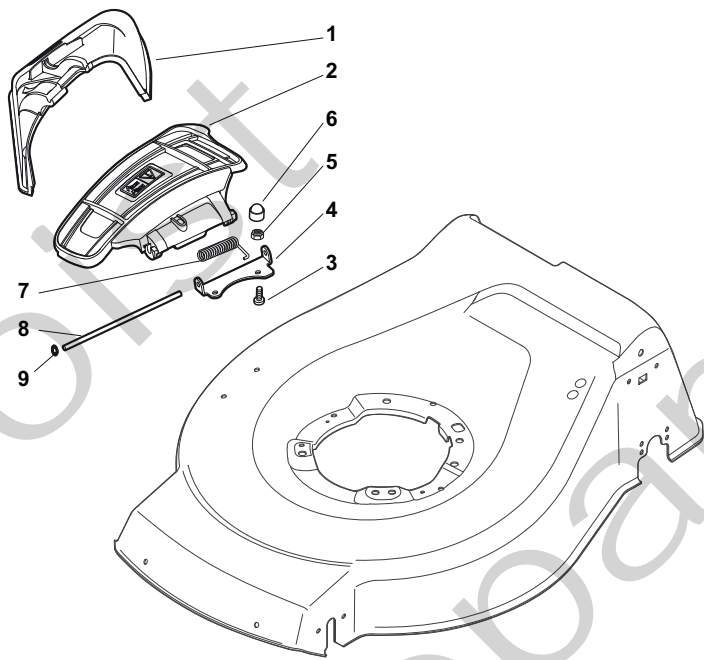
All content is subject to copyright by Global Garden Products and may not be reproduced in whole or in part by any means, electronic or otherwise, without prior written approval.

THIS INFORMATION IS NOT INTENDED FOR SALE OR RESALE, AND THIS NOTICE MUST REMAIN ON ALL COPIES.

STIGA®

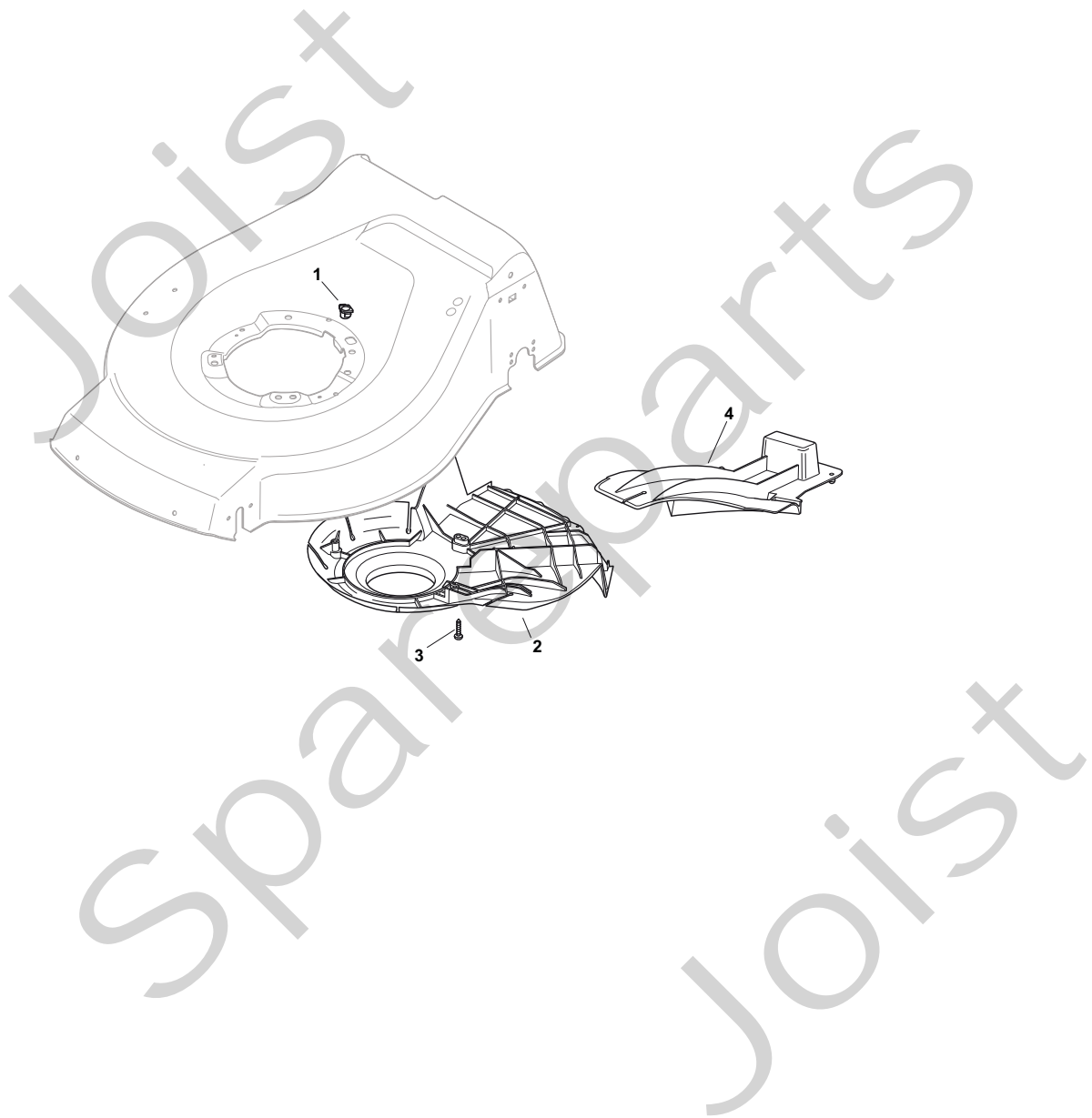


| Position | Part No. | Q.Ty | Description |
|----------|-------------|------|--------------------------|
| 1 | 381004542/0 | 1 | Deck Red |
| 2 | 122534131/0 | 1 | Pin |
| 3 | 381003398/0 | 1 | Lever, Height Adjustment |
| 4 | 12154510/0 | 1 | Nut |
| 5 | 12788512/0 | 1 | Screw |
| 6 | 322394503/0 | 1 | Knob |
| 7 | 12521310/0 | 1 | Washer |
| 8 | 12150000/0 | 1 | Nut |
| 10 | 122943013/0 | 1 | Screw |
| 11 | 381002032/0 | 1 | Rod, Height Adjustment |
| 12 | 112436051/0 | 1 | Plate |
| 13 | 112727803/0 | 3 | Screw |
| 14 | 12154510/0 | 3 | Nut |
| 15 | 112727801/0 | 1 | Screw |
| 16 | 381002887/1 | 1 | Axle, Front Wheels |
| 17 | 12154510/0 | 1 | Nut |
| 18 | 12728450/0 | 1 | Screw |
| 19 | 322034002/0 | 1 | Washing Connection |
| 21 | 322600145/0 | 2 | Protection, Wheel |
| 24 | 12521350/0 | 4 | Washer |
| 25 | 12155000/0 | 4 | Nut |
| 27 | 322600208/0 | 2 | Protection, Wheel |
| 31 | 381302835/0 | 1 | Axle, Rear Wheels |
| 32 | 122450460/0 | 1 | Spring |
| 33 | 112728697/0 | 4 | Screw |
| 34 | 22545152/0 | 2 | Plate |
| 35 | 112728697/0 | 4 | Screw |
| 36 | 322785304/1 | 2 | Support |
| 37 | 122570134/0 | 1 | Pinion L |
| 38 | 322120115/0 | 2 | Ring Gear |
| 39 | 112728706/0 | 6 | Screw |
| 40 | 122570133/0 | 1 | Pinion R |
| 41 | 122446192/0 | 1 | Spring |



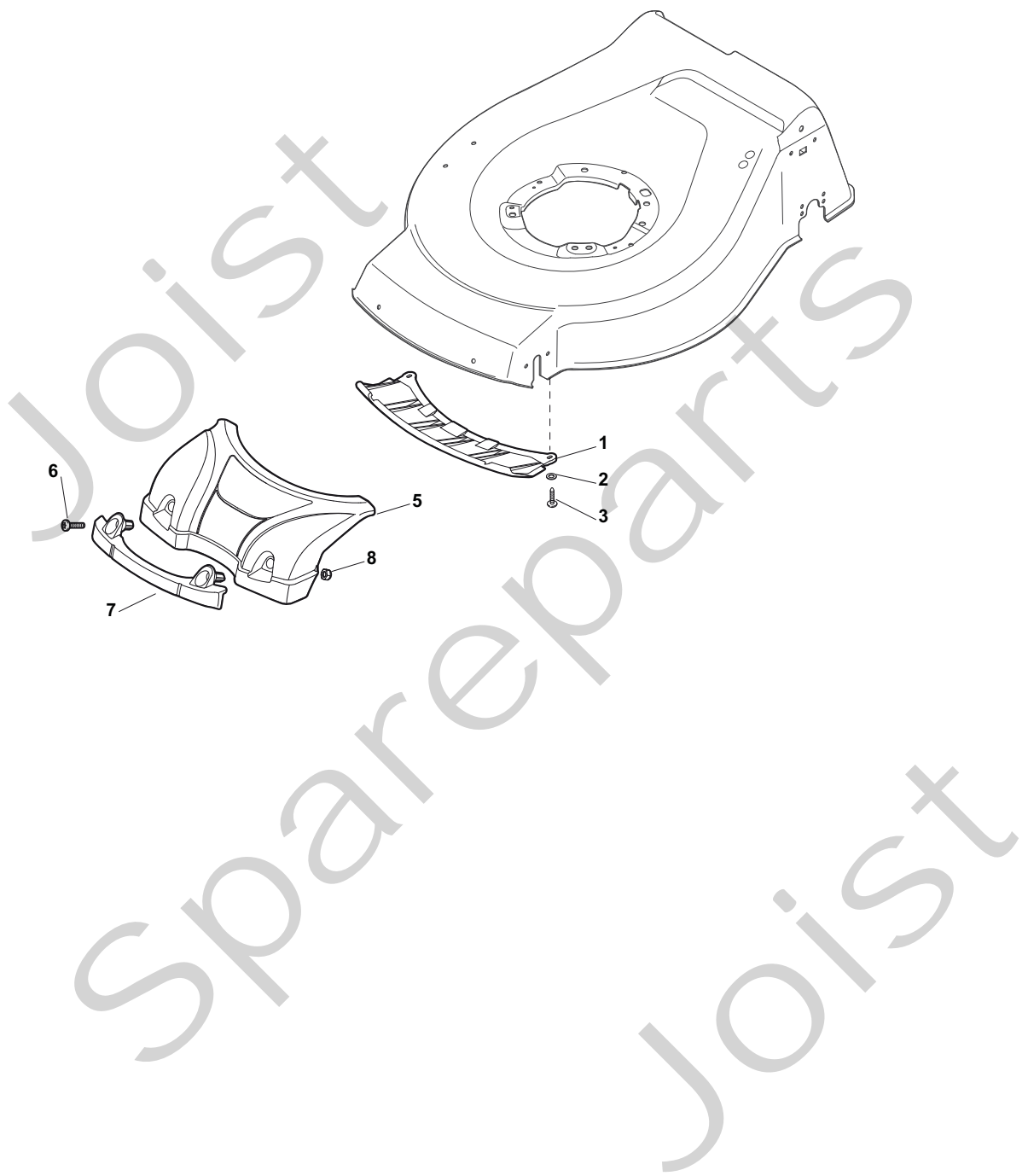
| Position | Part No. | Q.Ty | Description |
|----------|-------------|------|----------------|
| 1 | 322108295/0 | 1 | Stone-Guard |
| 2 | 322600195/0 | 1 | Ejection Guard |
| 3 | 112727803/0 | 2 | Screw |
| 4 | 322806639/0 | 1 | Fulcrum Pin |
| 5 | 12154510/0 | 2 | Nut |
| 6 | 18203853/0 | 2 | Protection |
| 7 | 122450456/0 | 1 | Spring |
| 8 | 122517869/0 | 1 | Pin |
| 9 | 12604896/0 | 2 | Crown Fastener |

Joist
Spareparts
Joist



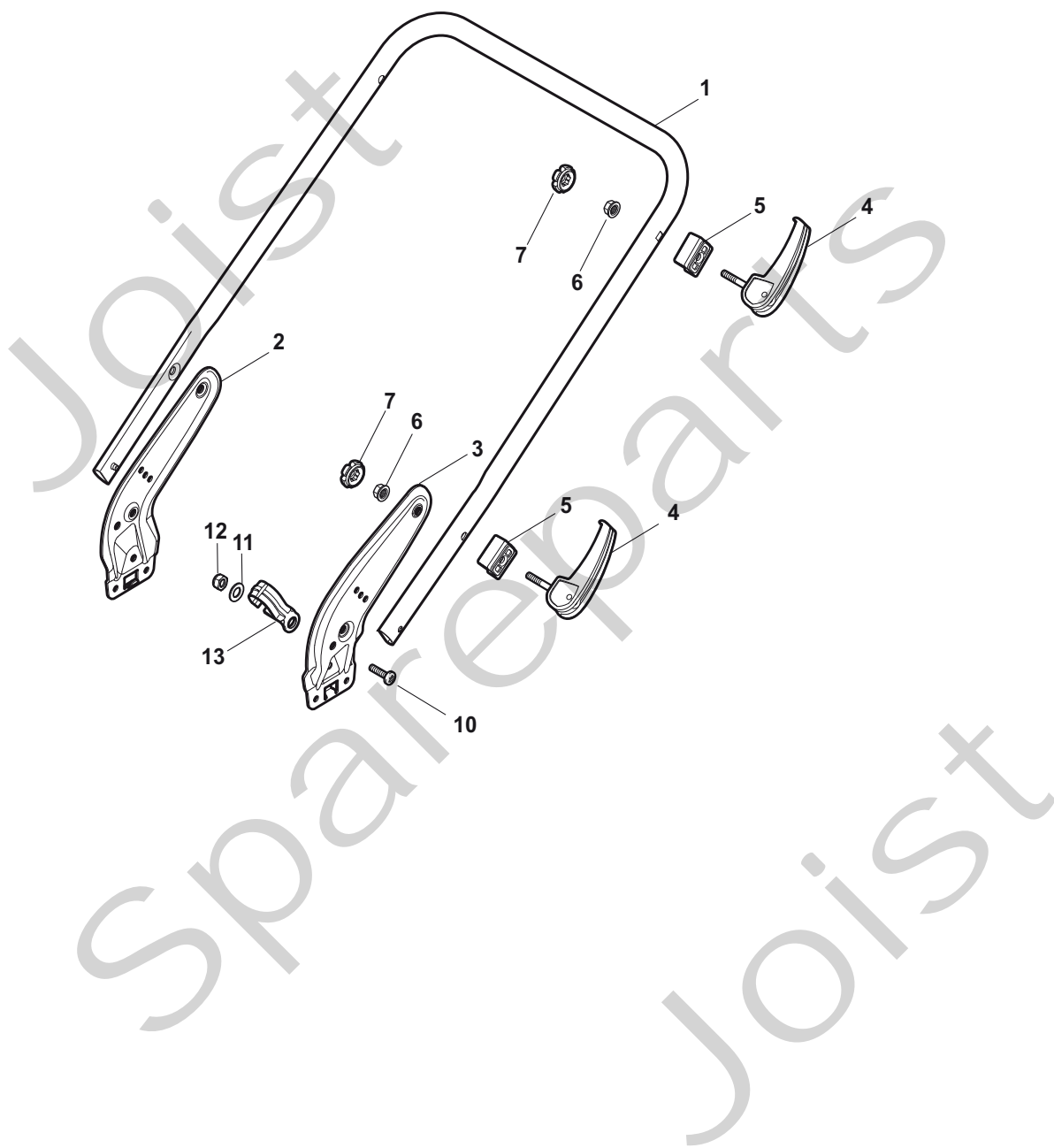
| Position | Part No. | Q.Ty | Description |
|----------|-------------|------|------------------|
| 1 | 22291150/0 | 1 | Rubber Insert |
| 2 | 322060197/3 | 1 | Protection, Belt |
| 3 | 12728530/0 | 3 | Screw |
| 4 | 22140222/0 | 1 | Deflector |

Joist
Spareparts
Joist



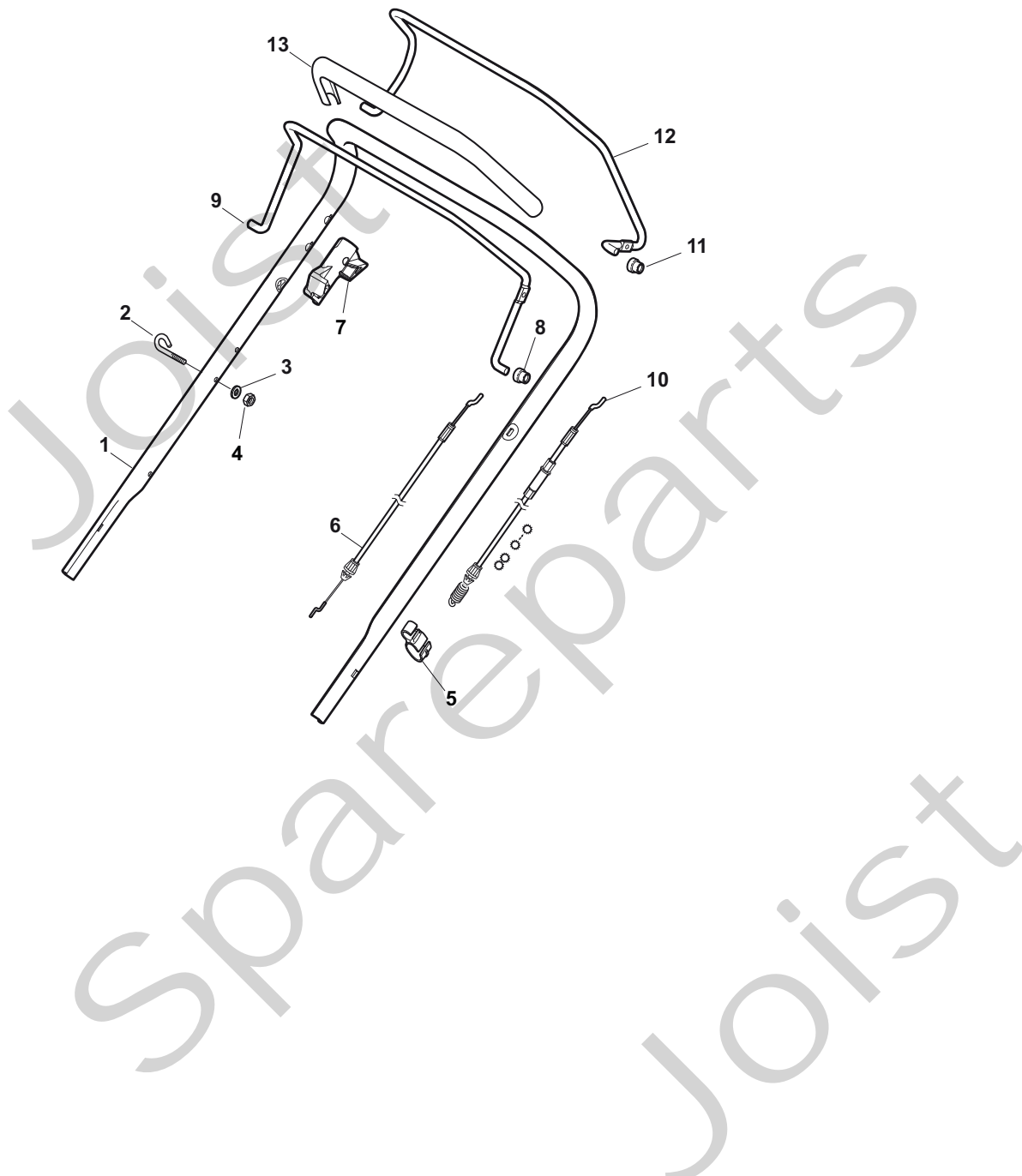
| Position | Part No. | Q.Ty | Description |
|----------|-------------|------|------------------|
| 1 | 322500103/0 | 1 | Air Intake Grill |
| 2 | 112523000/1 | 2 | Washer |
| 3 | 12728124/0 | 2 | Screw |
| 5 | 322226152/0 | 1 | Mask, Black |
| 6 | 112727799/0 | 2 | Screw |
| 7 | 322393640/0 | 1 | Handle, Yellow |
| 8 | 12154510/0 | 2 | Nut |

Joist
Spareparts
Joist



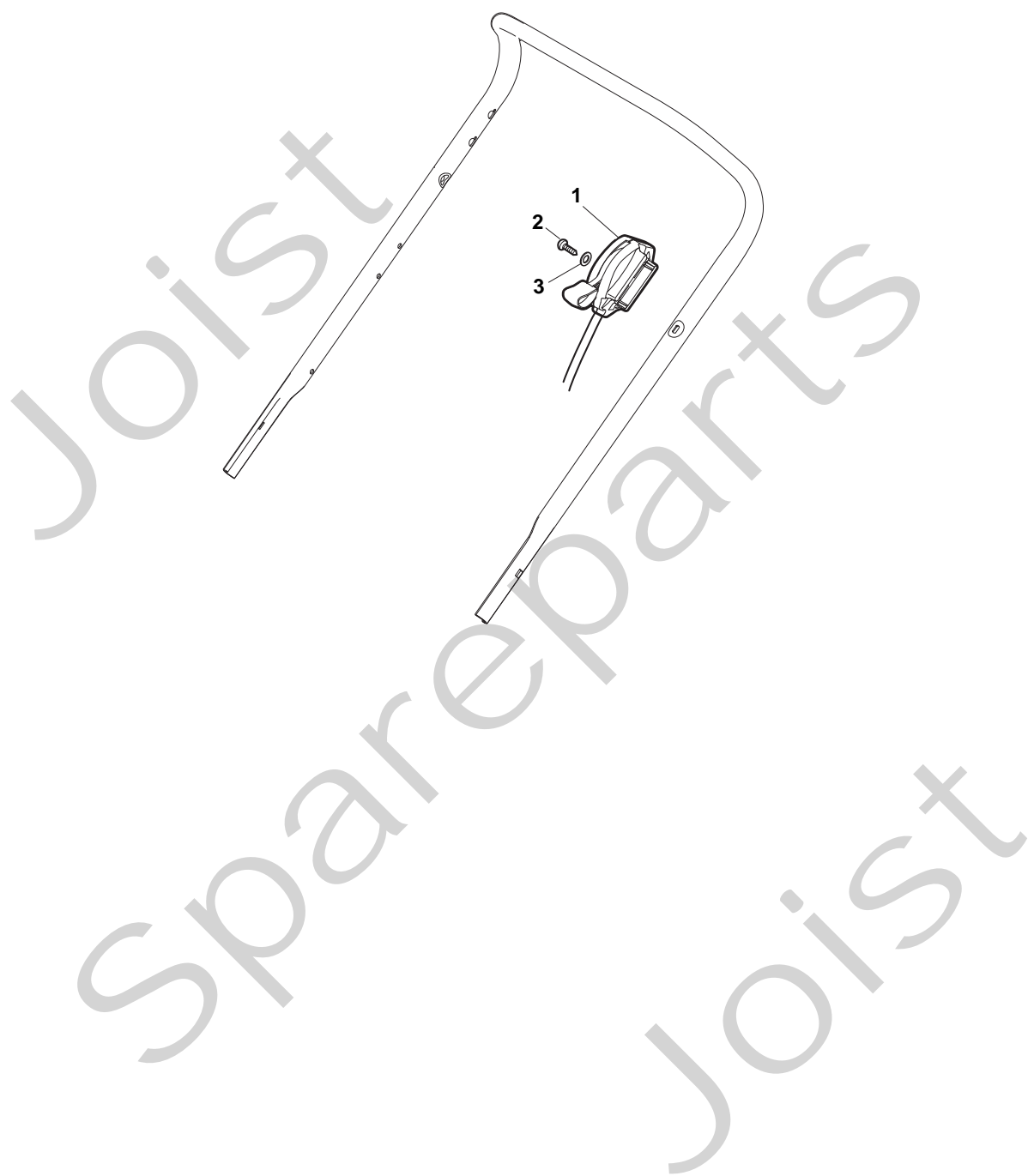
| Position | Part No. | Q.Ty | Description |
|----------|-------------|------|--------------------|
| 1 | 381006719/0 | 1 | Handle, Lower Part |
| 2 | 381005149/0 | 1 | Bracket, R |
| 3 | 381005151/0 | 1 | Bracket, L |
| 4 | 381003253/0 | 4 | Handle |
| 5 | 322680016/0 | 4 | Support |
| 6 | 22131750/0 | 4 | Nut |
| 7 | 322399835/0 | 4 | Knob |
| 10 | 12760605/0 | 2 | Screw |
| 11 | 25038002/1 | 2 | Bush |
| 12 | 12155000/0 | 2 | Nut |
| 13 | 322192156/0 | 1 | Fair Led |

Joist
Spareparts
Joist



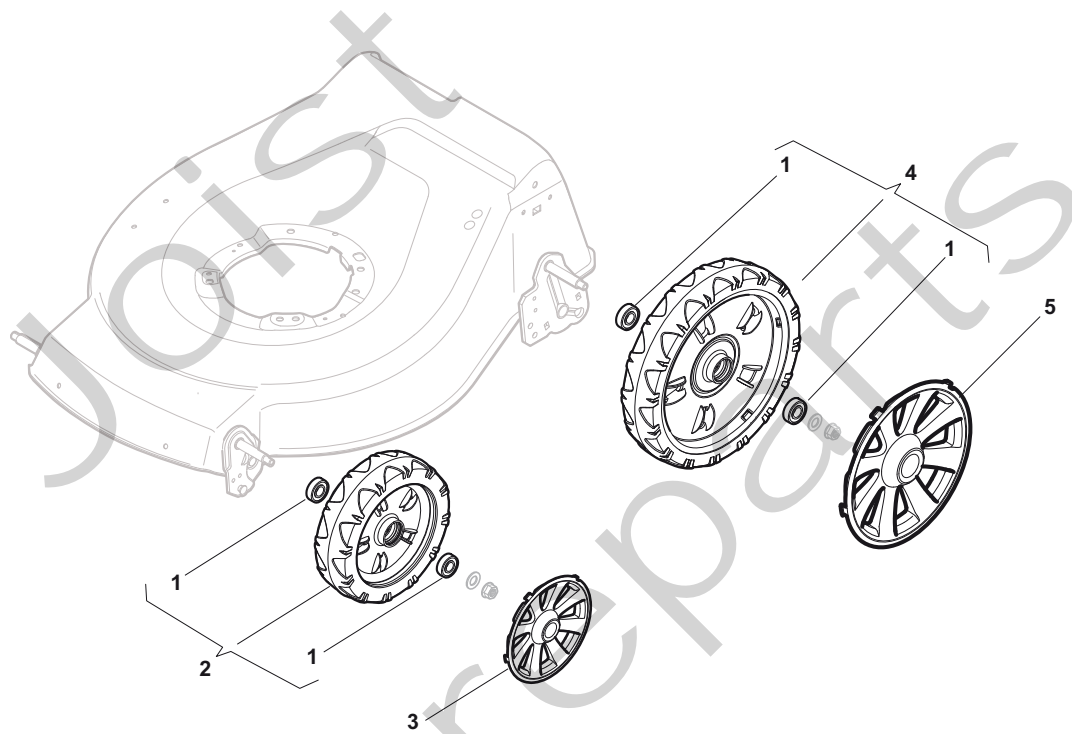
| Position | Part No. | Q.Ty | Description |
|----------|-------------|------|-----------------------------------------|
| 1 | 381007522/0 | 1 | Handle, Upper Part |
| 1 | 381006839/0 | 1 | Handle, Upper Part with sponge handgrip |
| 2 | 22430313/0 | 1 | Guide Spring |
| 3 | 12521330/0 | 1 | Washer |
| 4 | 12154510/0 | 1 | Nut |
| 5 | 118390020/0 | 1 | Fairlead |
| 6 | 181030053/0 | 1 | Cable, Thread Engine Brake |
| 7 | 322545204/0 | 1 | Fulcrum Pin |
| 8 | 22041966/0 | 1 | Bush |
| 9 | 181003300/1 | 1 | Lever, Engine Brake |
| 10 | 381030051/0 | 1 | Cable, Rear Drive |
| 11 | 22041966/0 | 1 | Bush |
| 12 | 181003301/0 | 1 | Lever, Driving |
| 13 | 22291050/0 | 1 | Handgrip Black |

Joist
Spareparts
Joist



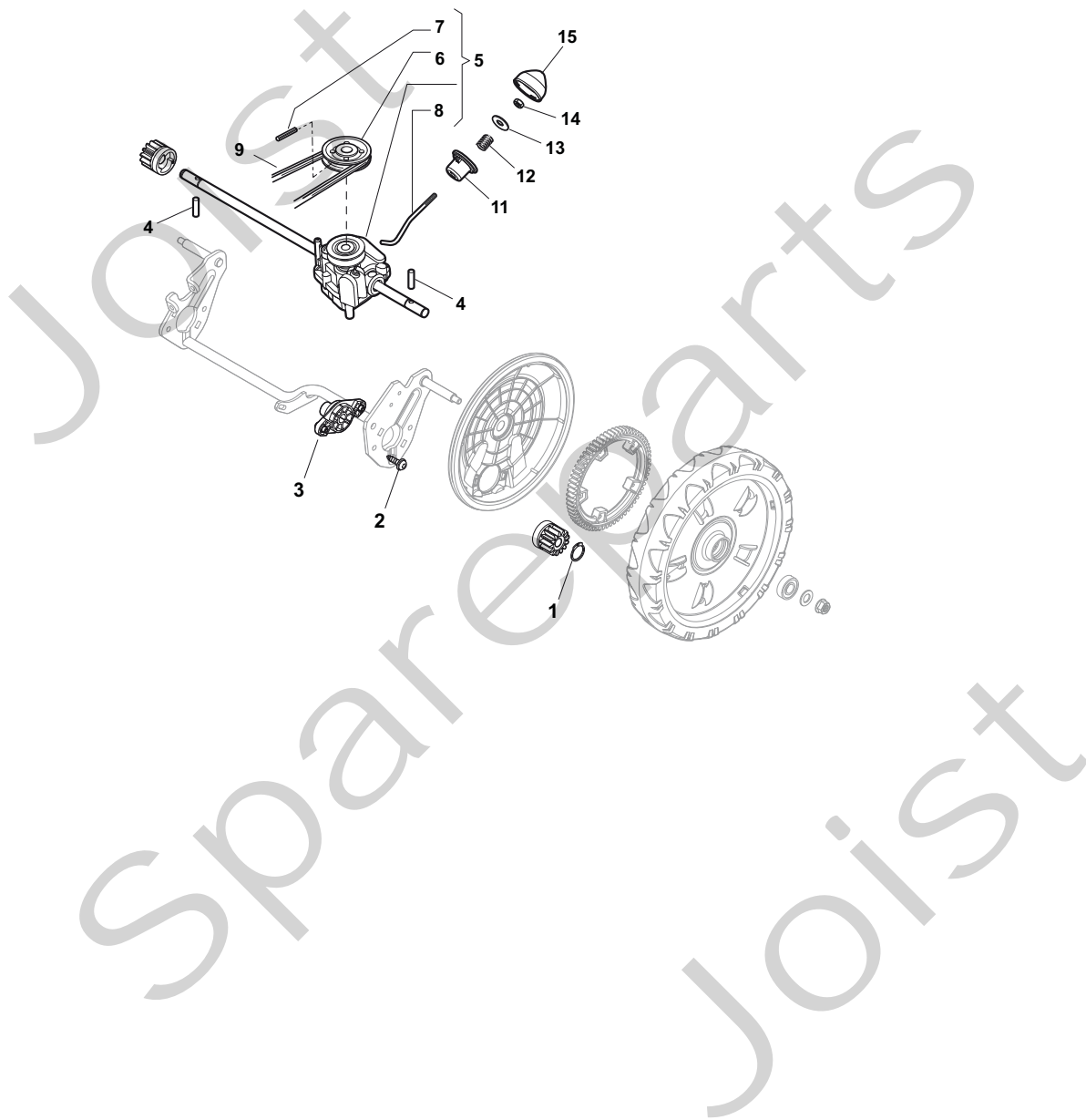
| Position | Part No. | Q.Ty | Description |
|----------|-------------|------|----------------|
| 1 | 181005502/1 | 1 | Throttle Cable |
| 2 | 12735103/0 | 1 | Screw |
| 3 | 12523040/0 | 1 | Washer |

Joist
Spareparts
Joist



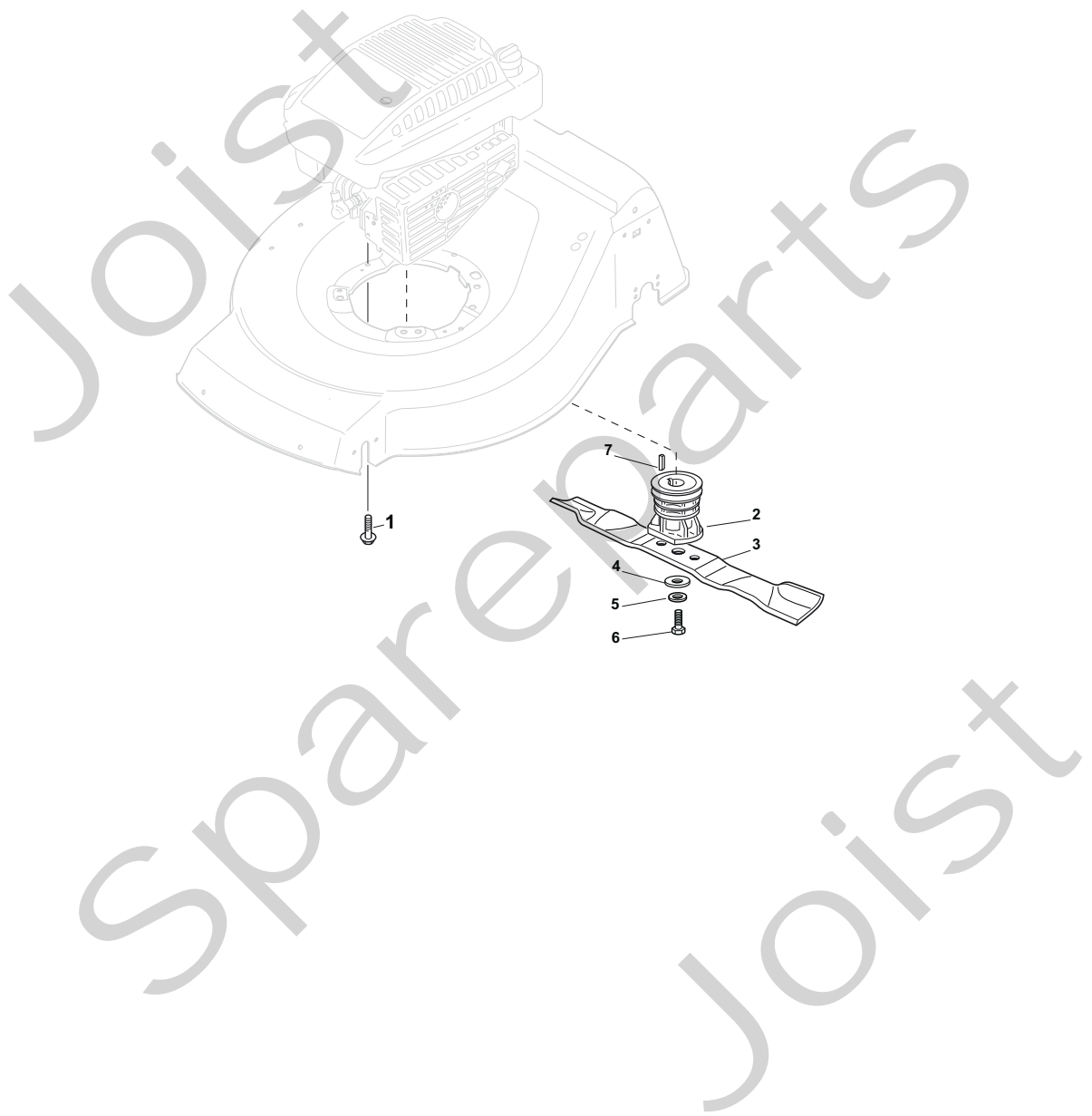
| Position | Part No. | Q.Ty | Description |
|----------|-------------|------|-------------|
| 1 | 19216035/0 | 8 | Bearing |
| 2 | 381007416/1 | 2 | Wheel Ø 200 |
| 3 | 322110645/0 | 2 | Hub Cap |
| 4 | 381007417/1 | 2 | Wheel Ø 280 |
| 5 | 322110646/0 | 2 | Hub Cap |

Joist
Spareparts
Joist



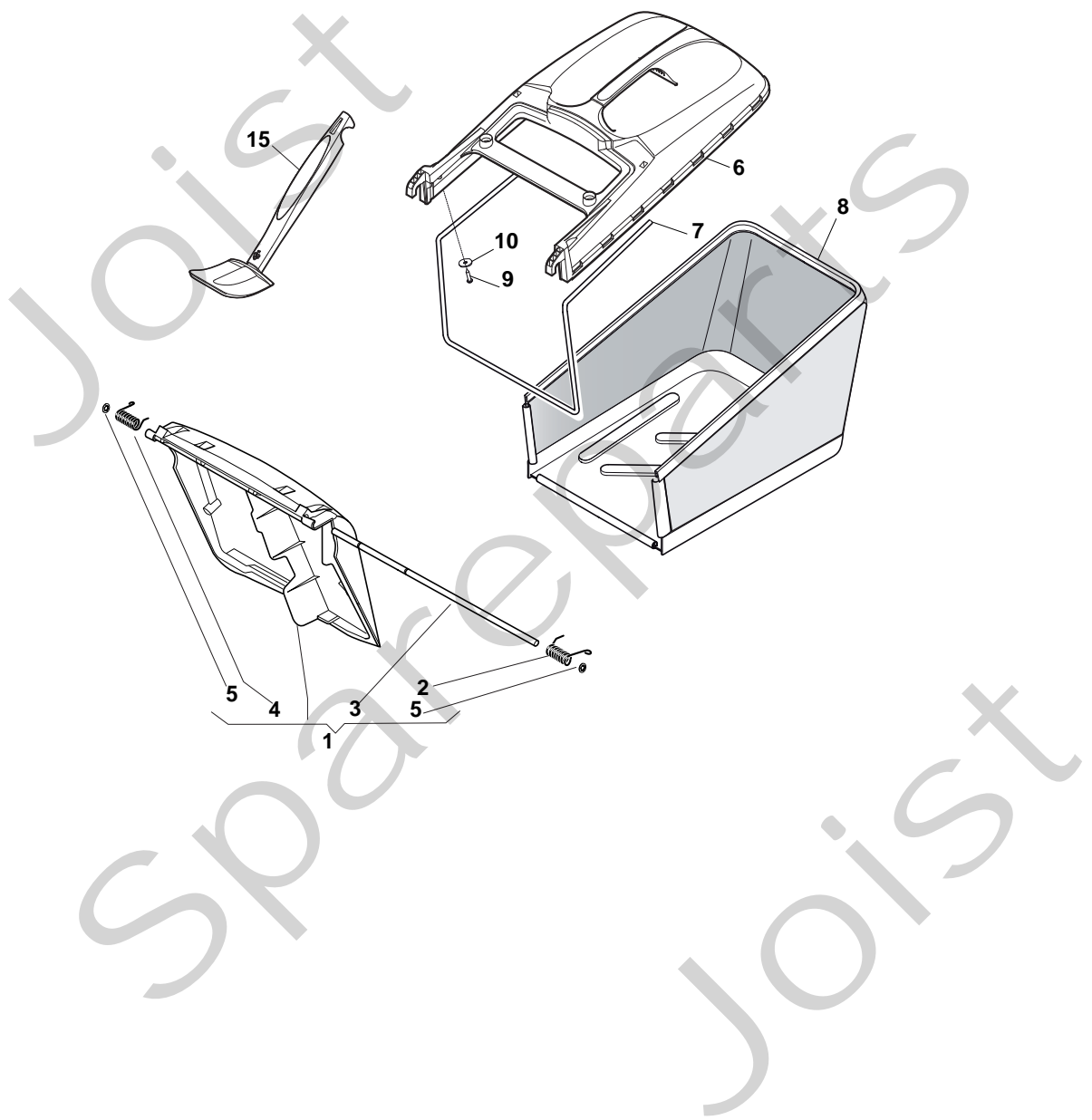
| Position | Part No. | Q.Ty | Description |
|----------|-------------|------|----------------|
| 1 | 12608600/0 | 2 | Seeger |
| 2 | 112728697/0 | 4 | Screw |
| 3 | 322042063/0 | 2 | Bush |
| 4 | 22753000/0 | 2 | Pin |
| 5 | 81003092/0 | 1 | Gear Box |
| 6 | 22601909/0 | 1 | Pulley |
| 7 | 12645700/0 | 1 | Pin |
| 8 | 22033283/0 | 1 | Adjustment Rod |
| 9 | 35063902/0 | 1 | Belt |
| 11 | 22041957/1 | 1 | Bush |
| 12 | 22450063/0 | 1 | Spring |
| 13 | 22680009/0 | 1 | Washer |
| 14 | 12154510/0 | 1 | Nut |
| 15 | 22110230/0 | 1 | Cap |

Joist
Spareparts
Joist



| Position | Part No. | Q.Ty | Description |
|----------|-------------|------|----------------------------|
| 1 | 112735108/1 | 3 | Screw |
| 2 | 122465607/3 | 1 | Hub, Crankshaft Ø 22.2 |
| 3 | 81004381/1 | 1 | Blade Standard |
| 4 | 22160400/0 | 1 | Elastic Washer |
| 5 | 12523080/0 | 1 | Washer |
| 6 | 12735698/0 | 1 | Screw |
| 7 | 12139100/0 | 1 | Feather, Crankshaft Ø 22.2 |

Joist
Spareparts
Joist



| Position | Part No. | Q.Ty | Description |
|----------|-------------|------|------------------|
| 1 | 381008081/2 | 1 | Stone-Guard |
| 2 | 122450466/0 | 1 | L Spring |
| 3 | 122517882/0 | 1 | Pin |
| 4 | 122450465/0 | 1 | R Spring |
| 5 | 12604899/0 | 2 | Crown Fastener |
| 6 | 22486101/0 | 1 | Grass-Box, Upper |
| 7 | 22608525/0 | 1 | Stiffening Lower |
| 8 | 81002211/0 | 1 | Box, Fabric |
| 9 | 12728680/0 | 2 | Screw |
| 10 | 12523050/0 | 2 | Washer |
| 15 | 113300213/0 | 1 | Scraper |