

Genuine Spare Parts

www.stiga.com

COMBI 53 SEQ BW Model Year 2011

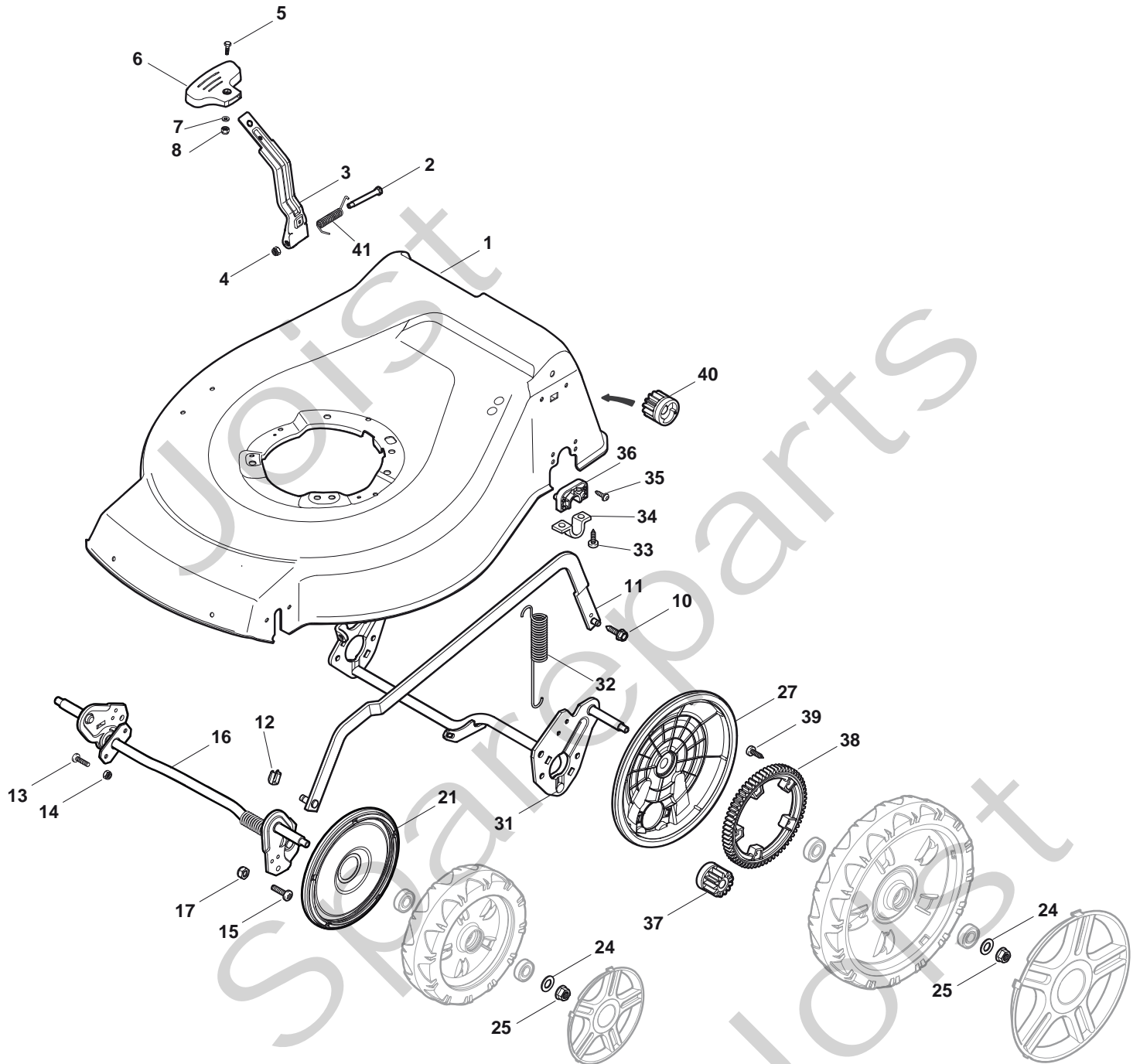
- Use GLOBAL GARDEN PRODUCT Genuine Spare Parts specified in the parts list for repair and/or replacement.
- The contents described in the parts list may change due to improvement.
- The drawings of the spare parts are only indicative and might not represent the part in question exactly.
- The indications "right" - "left" - "front" - "rear" refer to the position of the operator when using the machine.
- When placing orders of parts for repair and/or replacement, make sure that the illustrated parts list is the one applying to the machine's year of manufacture, as shown on the identification plate attached to the machine.

COPYRIGHT by GLOBAL GARDEN PRODUCTS

All rights reserved. No part of this material may be reproduced or transmitted, in any form or by any means, electronic or mechanical, including photocopying, recording or by any information storage and retrieval system, without permission in writing from GLOBAL GARDEN PRODUCTS.



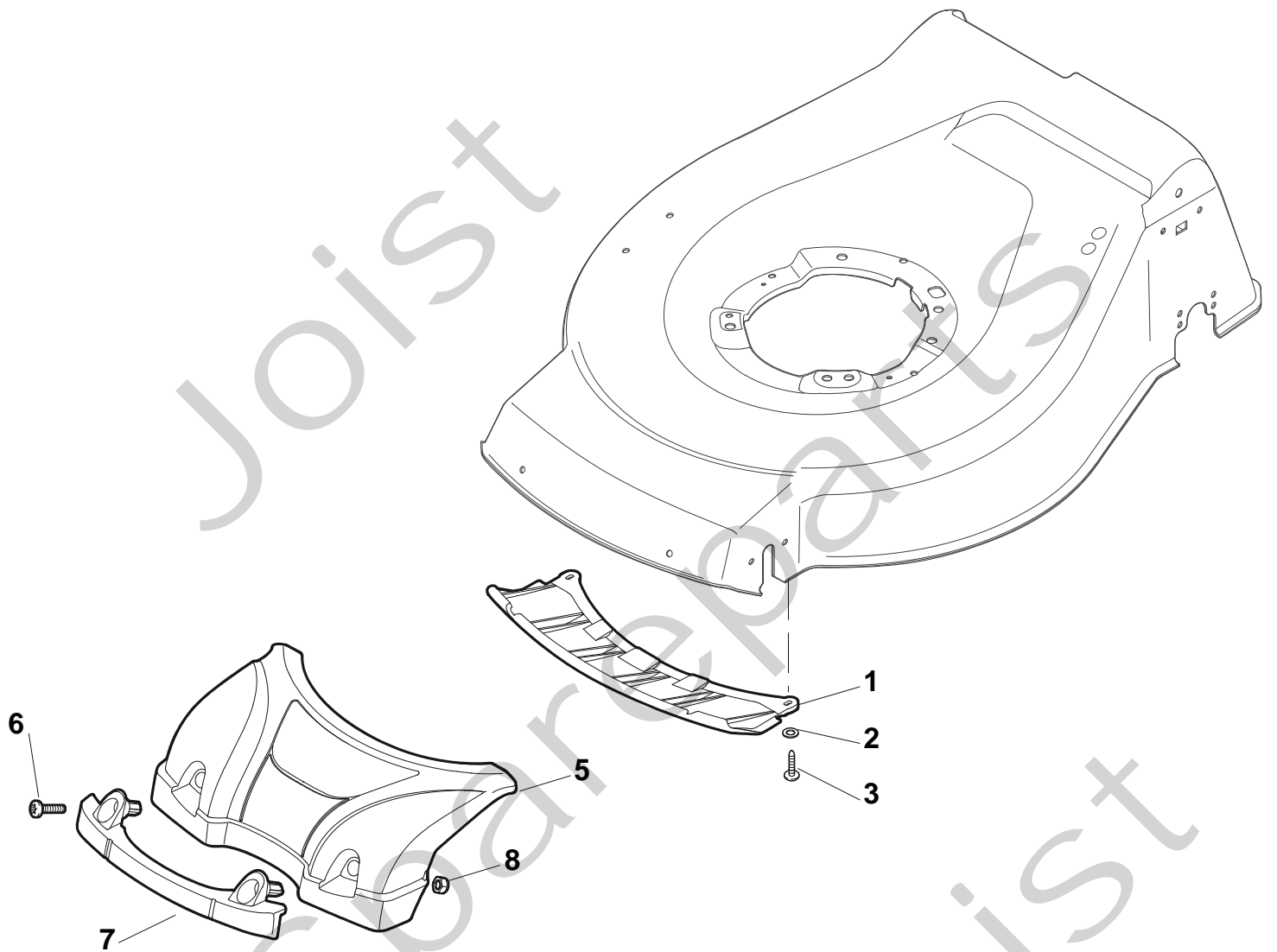
COMBI 53 SEQ BW





COMBI 53 SEQ BW

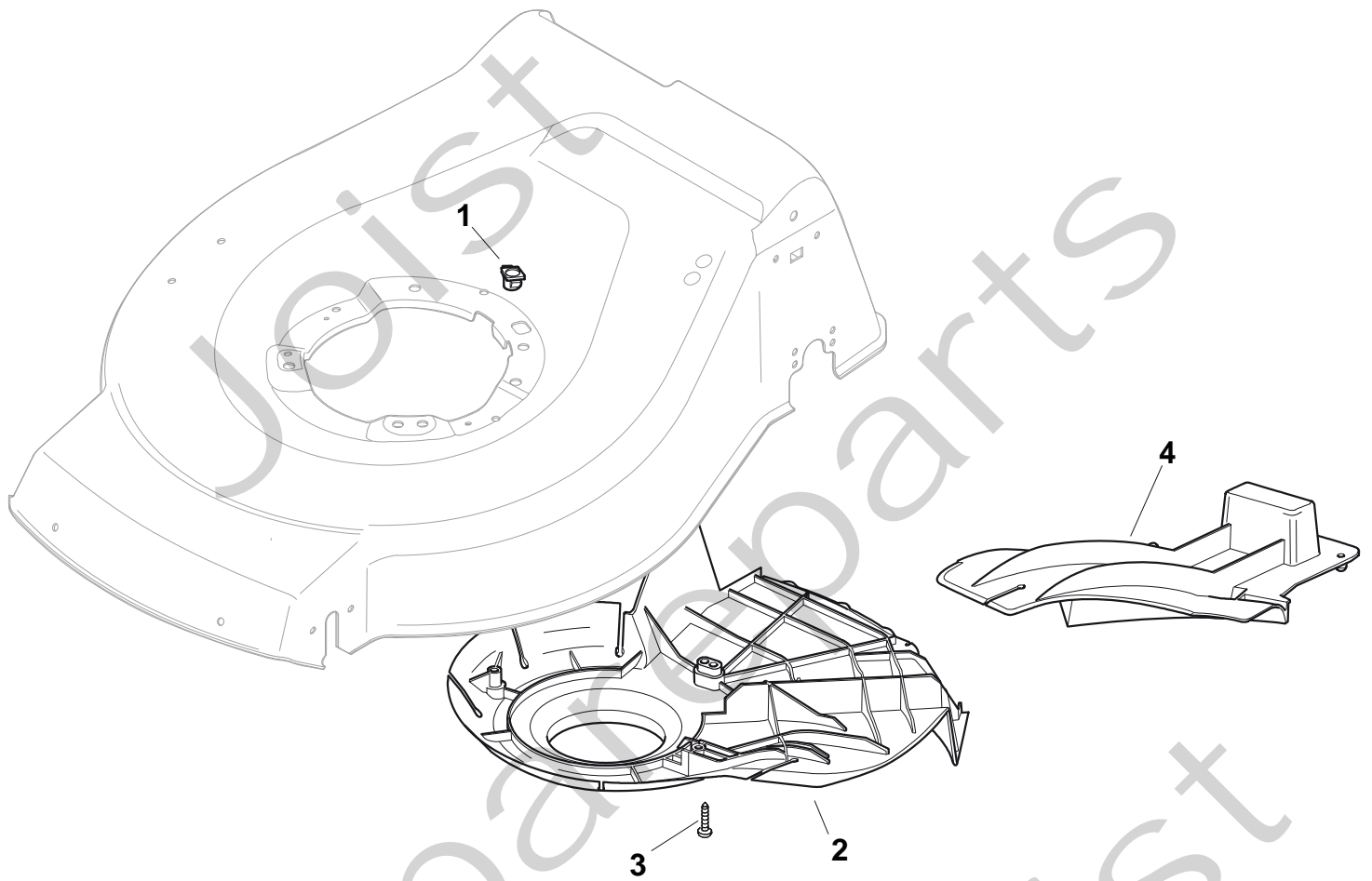
| Pos. Fig. | Antal Quantity | Art No Part No | Benämning | Description | Anmärkning Notes |
|-----------|----------------|----------------|----------------------|--------------------------|------------------|
| 1 | 1 | 381003918/0 | Chassi-svart | Deck Black | |
| 2 | 1 | 122534131/0 | Remstyrning | Pin | |
| 3 | 1 | 381003398/0 | Höjdinställningsspak | Lever, Height Adjustment | |
| 4 | 1 | 12154510/0 | Mutter | Nut | |
| 5 | 1 | 12788512/0 | Skruv | Screw | |
| 6 | 1 | 322394503/0 | Knopp | Knob | |
| 7 | 1 | 12521310/0 | Bricka | Washer | |
| 8 | 1 | 12150000/0 | Mutter | Nut | |
| 10 | 1 | 122943013/0 | Skruv | Screw | |
| 11 | 1 | 381002032/0 | Höjdinställn.stång | Rod, Height Adjustment | |
| 12 | 1 | 112436051/0 | Plåt | Plate | |
| 13 | 3 | 112727803/0 | Skruv | Screw | |
| 14 | 3 | 12154510/0 | Mutter | Nut | |
| 15 | 1 | 112727801/0 | Skruv | Screw | |
| 16 | 1 | 381002887/1 | Hjulaxel-fram | Axle, Front Wheels | |
| 17 | 1 | 12154510/0 | Mutter | Nut | |
| 21 | 2 | 322600145/0 | Hjulskydd | Protection, Wheel | |
| 24 | 4 | 12521350/0 | Bricka | Washer | |
| 25 | 4 | 12155000/0 | Mutter | Nut | |
| 27 | 2 | 322600208/0 | Hjulskydd | Protection, Wheel | |
| 31 | 1 | 381302835/0 | Hjulaxel-bakre | Axle, Rear Wheels | |
| 32 | 1 | 122450460/0 | Fjäder | Spring | |
| 33 | 4 | 112728697/0 | Skruv | Screw | |
| 34 | 2 | 22545152/0 | Plåt | Plate | |
| 35 | 4 | 112728697/0 | Skruv | Screw | |
| 36 | 2 | 322785304/0 | Fäste | Support | |
| 37 | 1 | 122570134/0 | Drev hö | Pinion L | |
| 38 | 2 | 322120115/0 | Ringdrev | Ring Gear | |
| 39 | 6 | 112728706/0 | Skruv | Screw | |
| 40 | 1 | 122570133/0 | Drev vä | Pinion R | |
| 41 | 1 | 122446192/0 | Fjäder | Spring | |





COMBI 53 SEQ BW

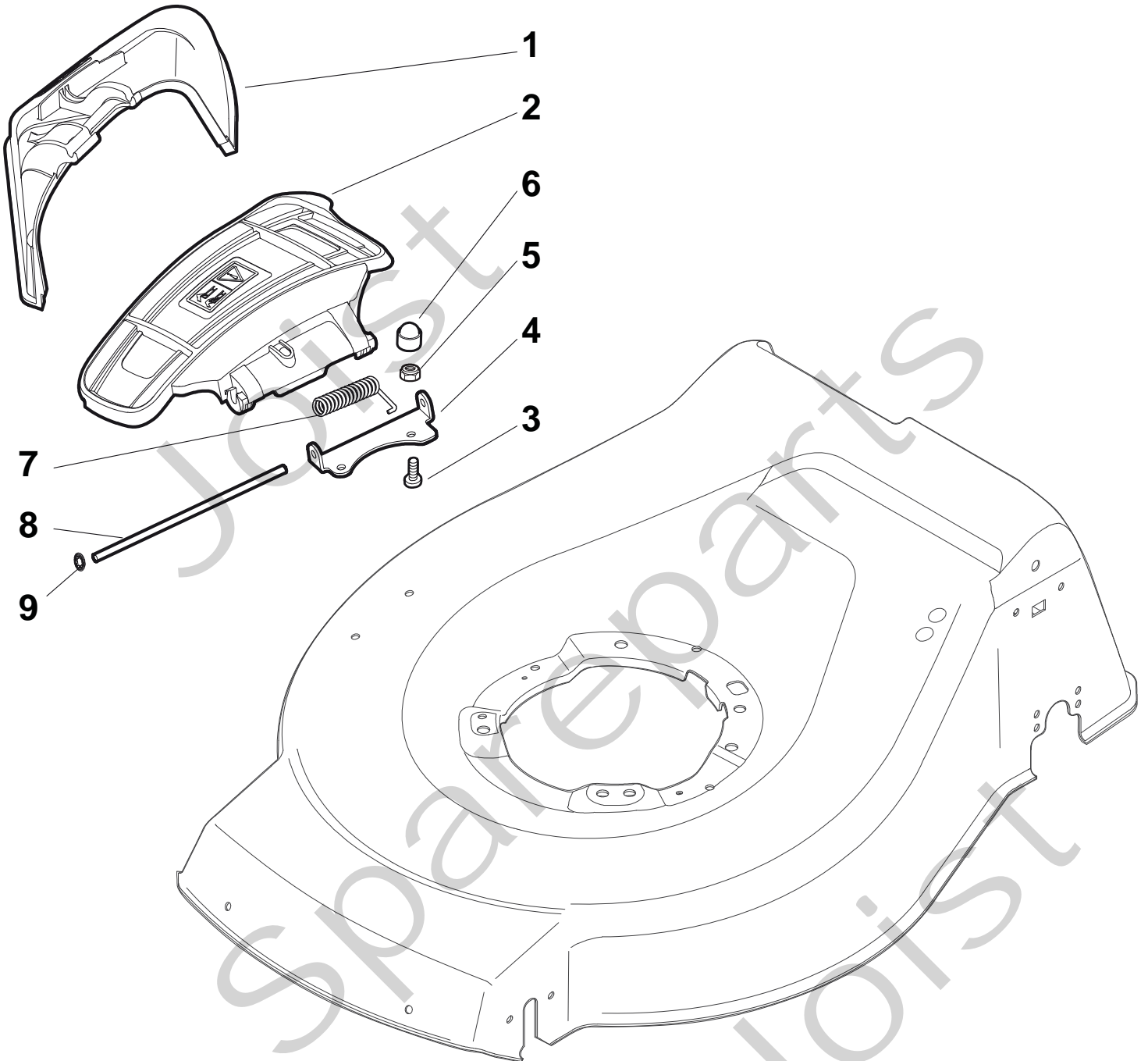
| Pos. Fig. | Antal Quantity | Art No Part No | Benämning | Description | Anmärkning Notes |
|-----------|----------------|----------------|------------------|------------------|------------------|
| 1 | 1 | 322500103/0 | Air Intake Grill | Air Intake Grill | |
| 2 | 2 | 112523000/1 | Bricka | Washer | |
| 3 | 2 | 12728124/0 | Skruv | Screw | |
| 5 | 1 | 322226154/0 | Frontkåpa-svart | Mask, Black | |
| 6 | 2 | 112727799/0 | Skruv | Screw | |
| 7 | 1 | 322393640/0 | Handtag-gul | Handle, Yellow | |
| 8 | 2 | 12154510/0 | Mutter | Nut | |





COMBI 53 SEQ BW

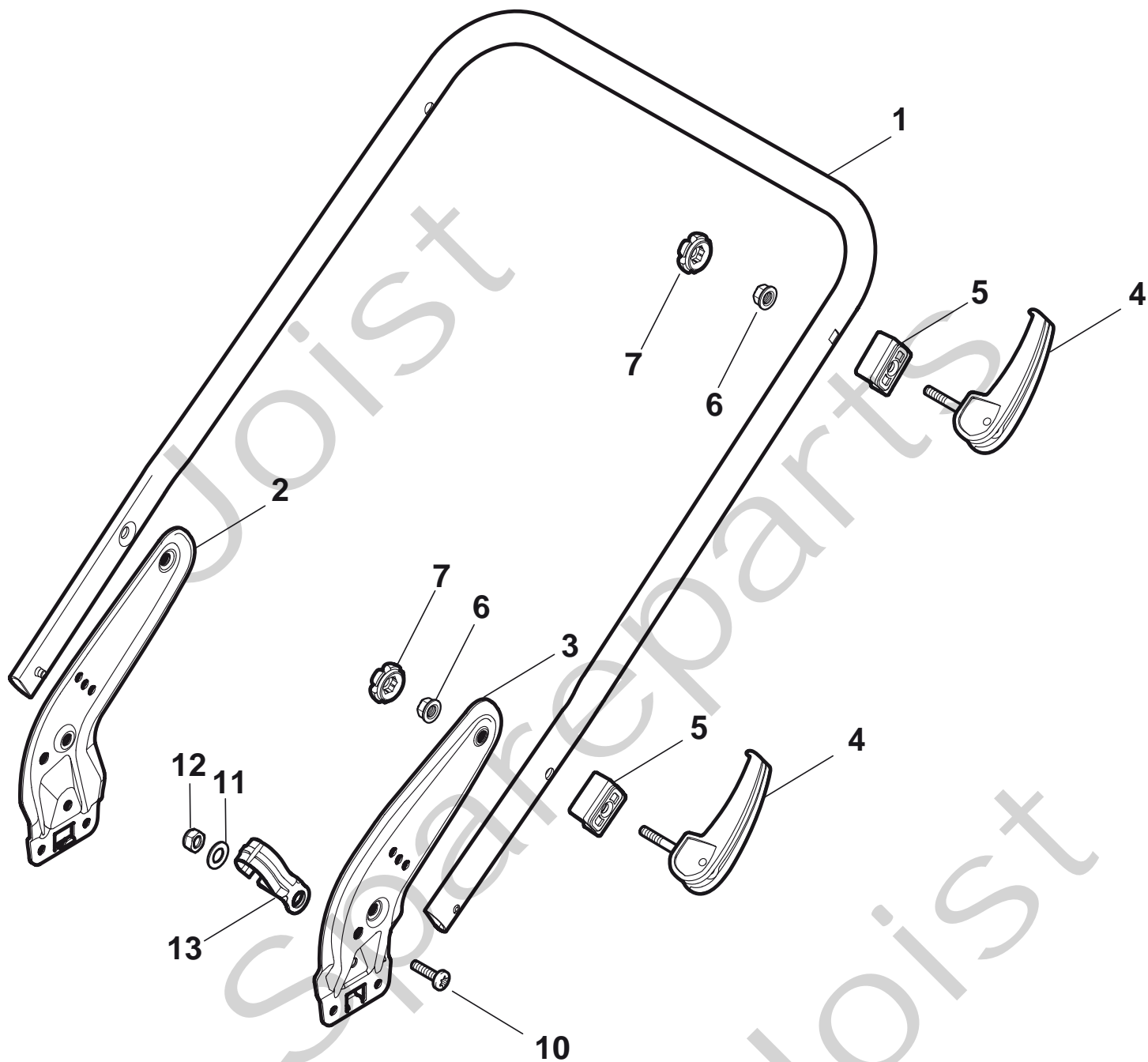
| Pos. Fig. | Antal Quantity | Art No Part No | Benämning | Description | Anmärkning Notes |
|-----------|----------------|----------------|-----------|------------------|------------------|
| 1 | 1 | 22291150/0 | Handtag | Rubber Insert | |
| 2 | 1 | 322060197/2 | Remskydd | Protection, Belt | |
| 3 | 3 | 12728530/0 | Skruv | Screw | |
| 4 | 1 | 22140222/0 | Deflektor | Deflector | |





COMBI 53 SEQ BW

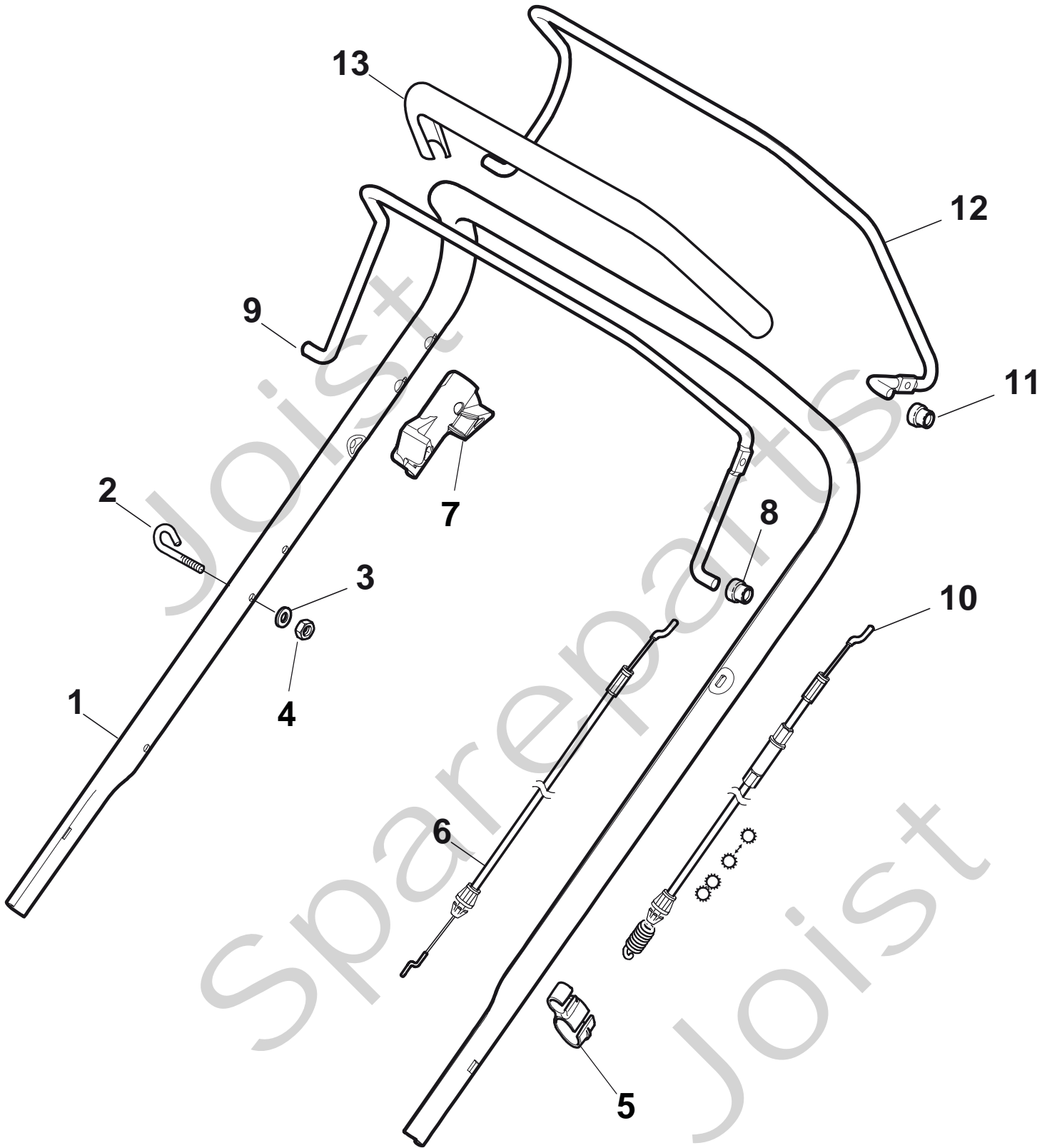
| Pos. Fig. | Antal Quantity | Art No Part No | Benämning | Description | Anmärkning Notes |
|-----------|----------------|----------------|--------------|----------------|------------------|
| 1 | 1 | 322108295/0 | Lucka | Stone-Guard | |
| 2 | 1 | 322600195/0 | Output skydd | Ejection Guard | |
| 3 | 2 | 112727803/0 | Skruv | Screw | |
| 4 | 1 | 322806639/0 | Vridpunkt | Fulcrum Pin | |
| 5 | 2 | 12154510/0 | Mutter | Nut | |
| 6 | 2 | 18203853/0 | Batteri | Protection | |
| 7 | 1 | 122450456/0 | Fjäder | Spring | |
| 8 | 1 | 122517869/0 | Stift | Pin | |
| 9 | 2 | 12604896/0 | Skruv | Crown Fastener | |





COMBI 53 SEQ BW

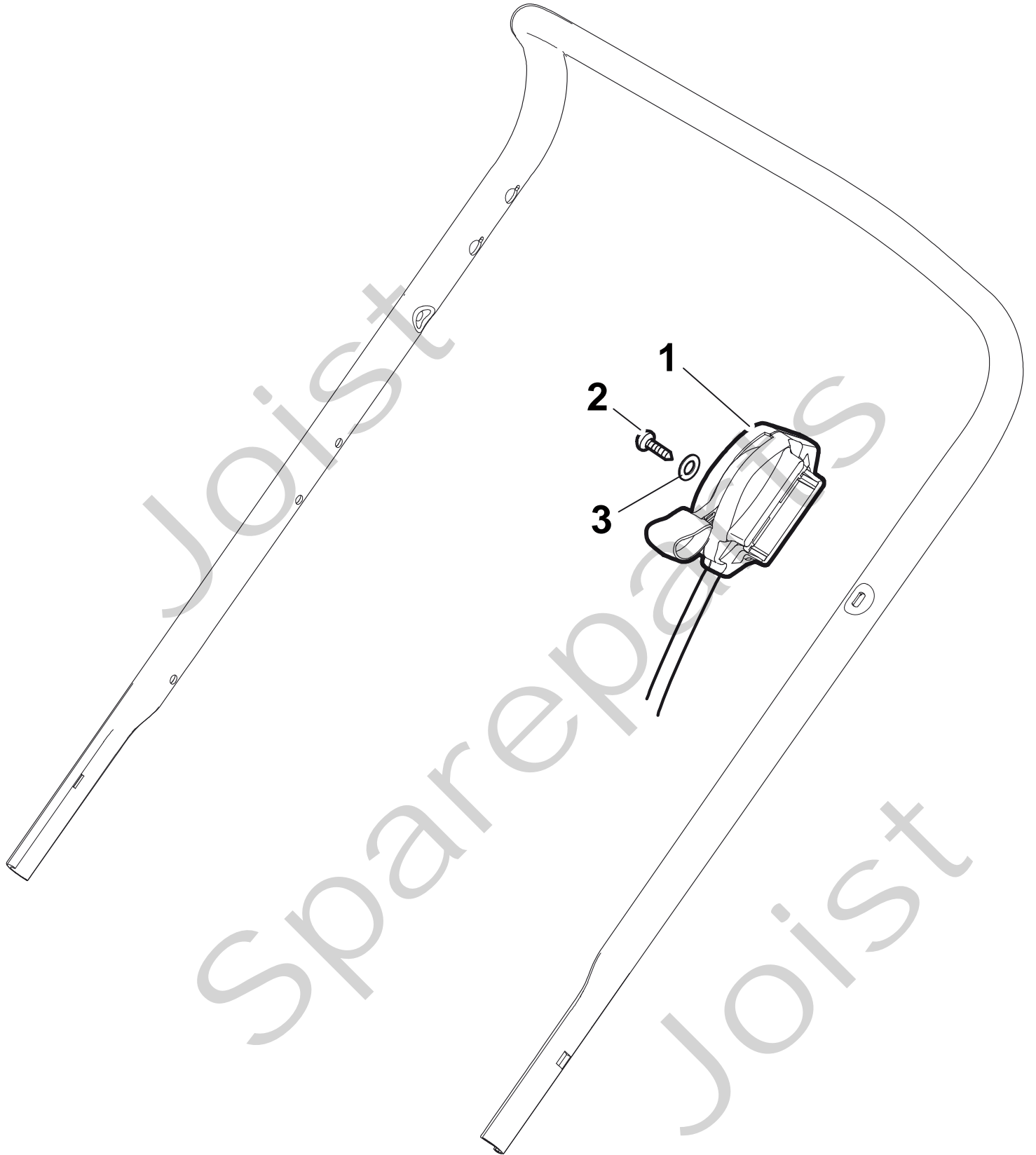
| Pos. Fig. | Antal Quantity | Art No Part No | Benämning | Description | Anmärkning Notes |
|-----------|----------------|----------------|----------------|--------------------|------------------|
| 1 | 1 | 381006719/0 | Styre-underdel | Handle, Lower Part | |
| 2 | 1 | 381005149/0 | Fäste-hö | Bracket, R | |
| 3 | 1 | 381005151/0 | Fäste-vä | Bracket, L | |
| 4 | 4 | 381003253/0 | Handtag | Handle | |
| 5 | 4 | 322680016/0 | Fäste | Support | |
| 6 | 4 | 22131750/0 | Mutter | Nut | |
| 7 | 4 | 322399835/0 | Knopp | Knob | |
| 10 | 2 | 12760605/0 | Skruv | Screw | |
| 11 | 2 | 25038002/1 | Bussning | Bush | |
| 12 | 2 | 12155000/0 | Mutter | Nut | |
| 13 | 1 | 322192156/0 | Kabelhållare | Fair Led | |





COMBI 53 SEQ BW

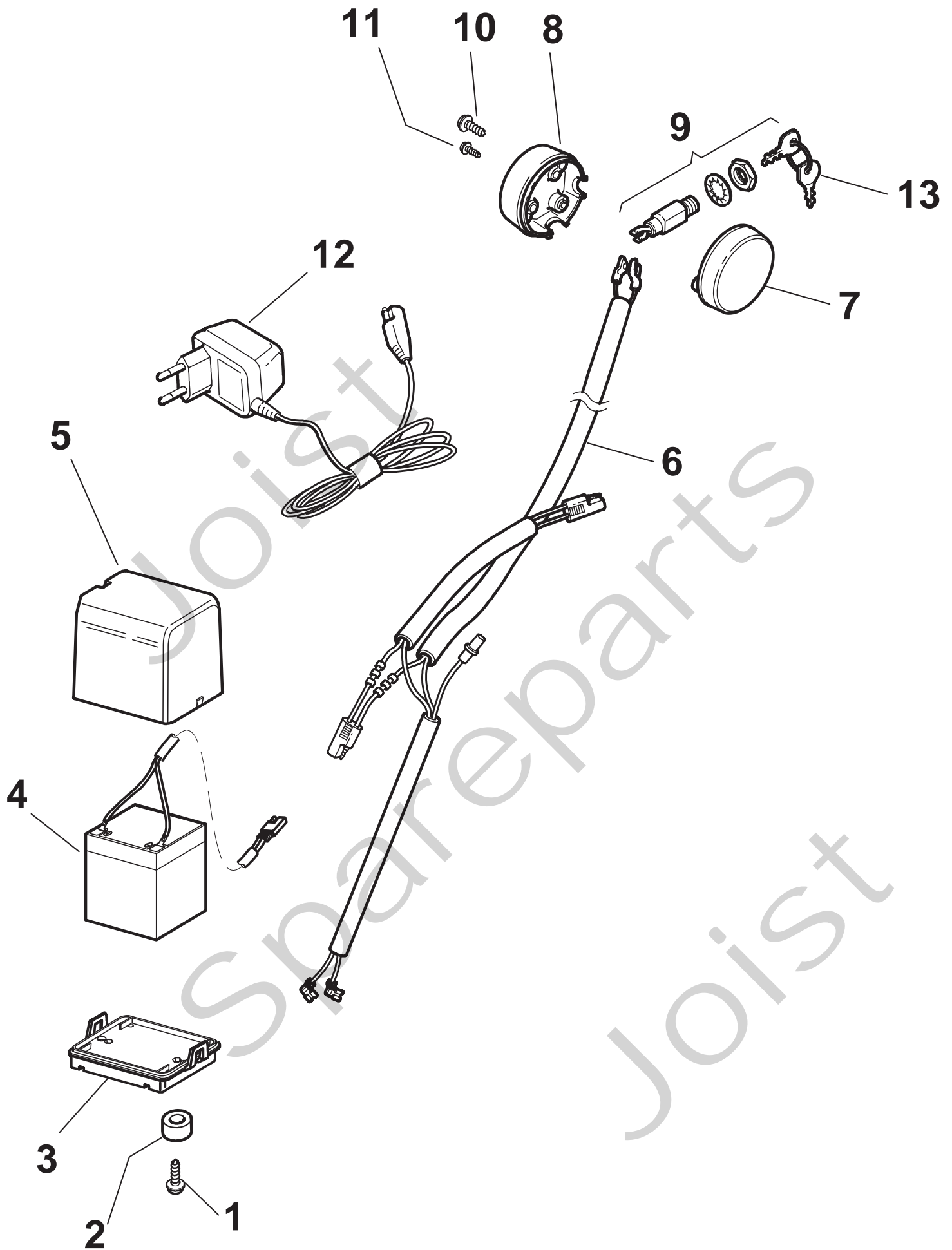
| Pos. Fig. | Antal Quantity | Art No Part No | Benämning | Description | Anmärkning Notes |
|-----------|----------------|----------------|----------------|---|--------------------------------------|
| 1 | 1 | 381006807/0 | Styre-överdel | Handle, Upper Part with sponge handgrip | |
| 1 | 1 | 381006887/0 | Styre-överdel | Handle, Upper Part | |
| 2 | 1 | 22430313/0 | Fjäder | Guide Spring | |
| 3 | 1 | 12521330/0 | Bricka | Washer | |
| 4 | 1 | 12154510/0 | Mutter | Nut | |
| 5 | 1 | 118390020/0 | Startkabel | Fairlead | |
| 6 | 1 | 181030053/0 | Motorbromswire | Cable, Thread Eng. Brake | |
| 7 | 1 | 322545204/0 | Vridpunkt | Fulcrum Pin | |
| 8 | 2 | 22041966/0 | Bussning | Bush | |
| 9 | 1 | 181003300/0 | Transmission | Lever, Engine Brake | |
| 10 | 1 | 381030051/0 | Kopplingswire | Cable, Rear Drive | |
| 11 | 2 | 22041966/0 | Bussning | Bush | |
| 12 | 1 | 181003301/0 | Reglagebygel | Lever, Driving | |
| 13 | 1 | 22291050/0 | Hylsa | Handgrip Black | only for handle part no. 381006887/0 |
| 14 | 1 | 22551640/0 | Plåt | Plate | |
| 15 | 1 | 12728640/0 | Skruv | Screw | |





COMBI 53 SEQ BW

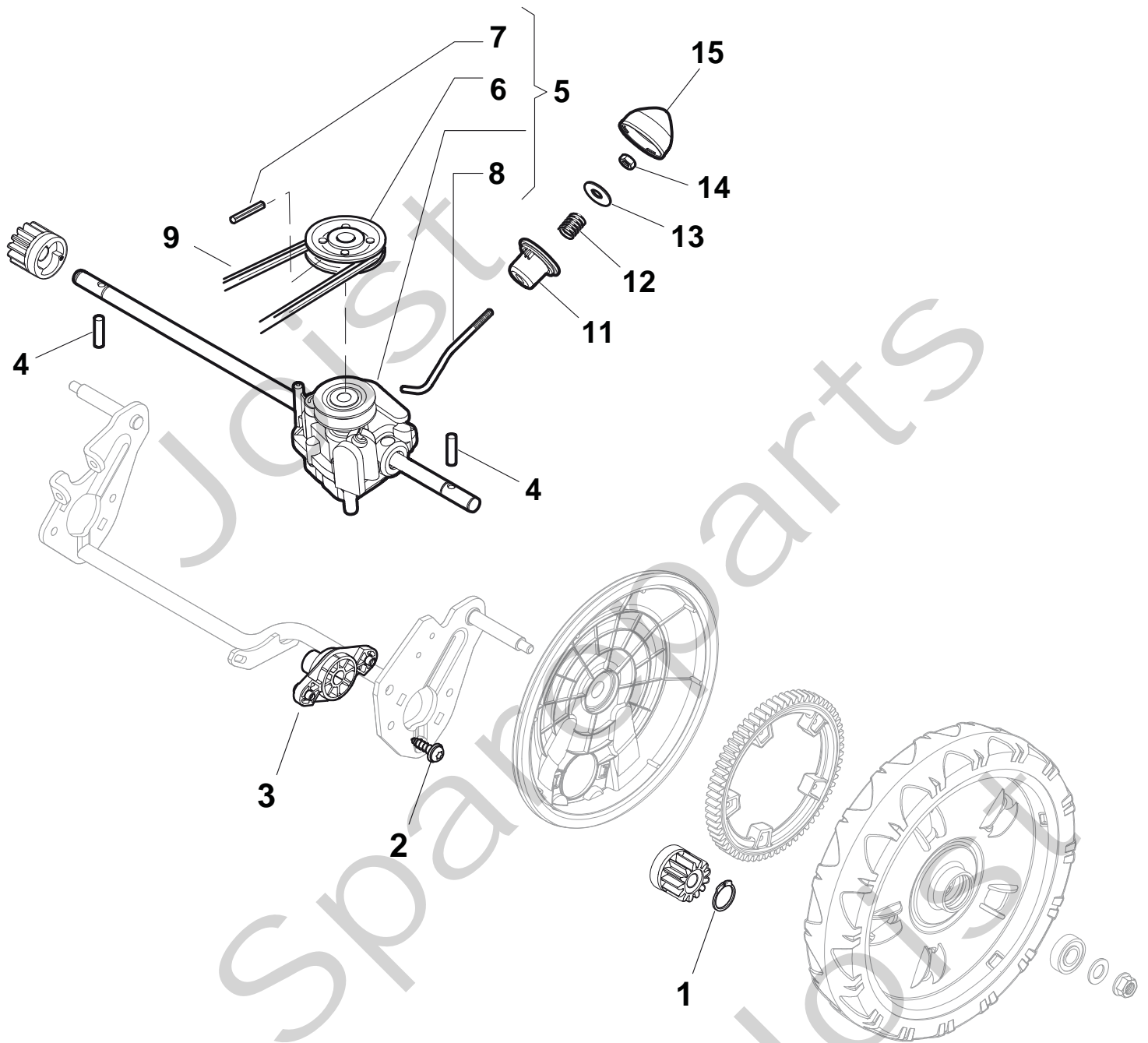
| Pos. Fig. | Antal Quantity | Art No Part No | Benämning | Description | Anmärkning Notes |
|-----------|----------------|----------------|-----------|----------------|------------------|
| 1 | 1 | 181005501/1 | Gaswire | Throttle Cable | |
| 2 | 1 | 12735103/0 | Skruv | Screw | |
| 3 | 1 | 12523040/0 | Bricka | Washer | |





COMBI 53 SEQ BW

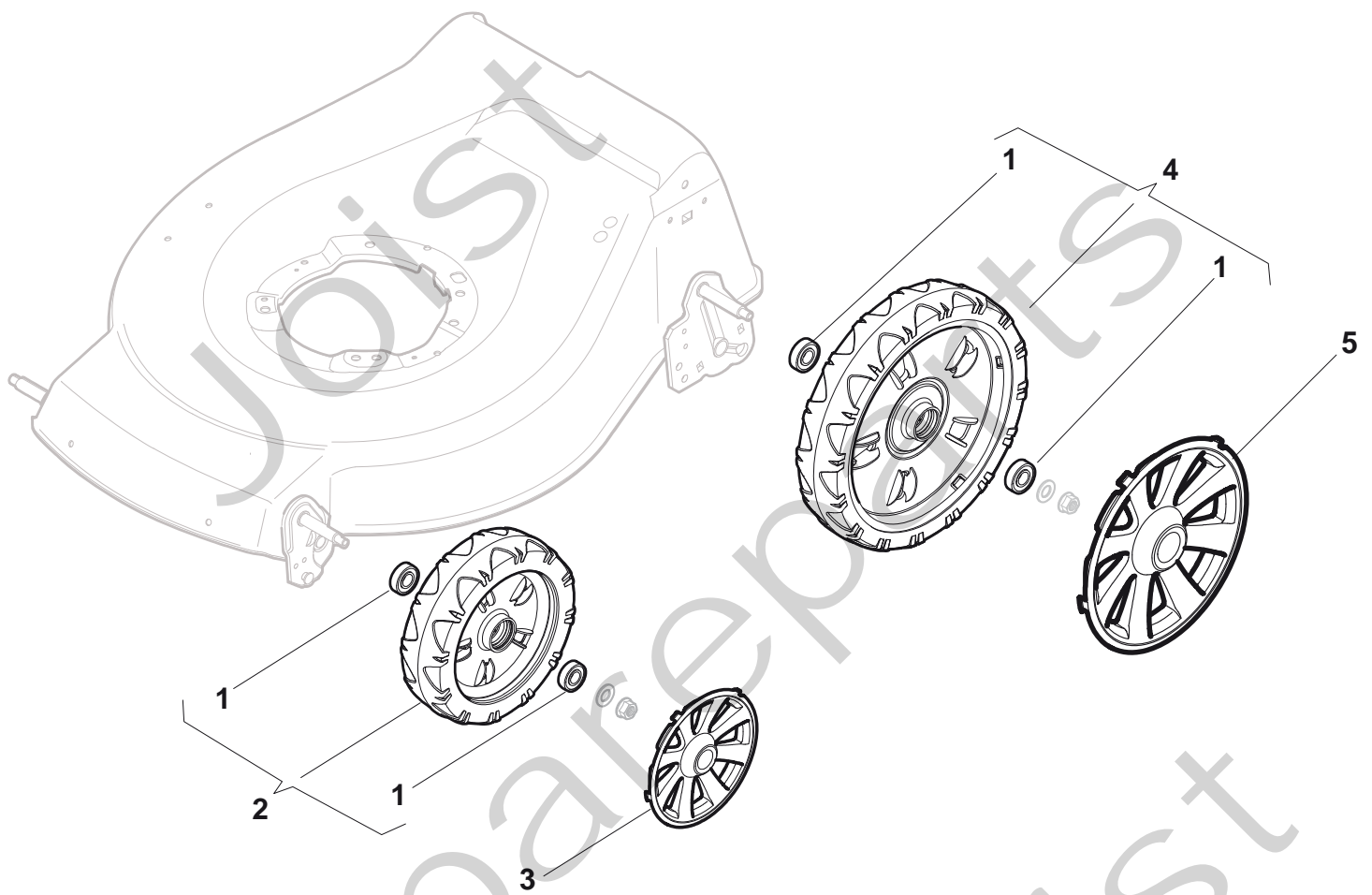
| Pos. Fig. | Antal Quantity | Art No Part No | Benämning | Description | Anmärkning Notes |
|-----------|----------------|----------------|----------------|------------------|------------------|
| 1 | 2 | 12731590/0 | Skruv | Screw | |
| 2 | 2 | 12521310/0 | Bricka | Washer | |
| 3 | 1 | 22785123/0 | Batteriplatå | Support, Battery | |
| 4 | 1 | 18120052/0 | Motorbromswire | Battery | |
| 5 | 1 | 22109530/0 | Ledplåt-bakre | Cover | |
| 6 | 1 | 118204192/3 | Dekal | Cable, Start | |
| 7 | 1 | 22722800/0 | Skydd-ho | R Protection | |
| 8 | 1 | 22722801/0 | Skydd-va | L Protection | |
| 9 | 1 | 18450050/0 | Ringmutter | Switch | |
| 10 | 2 | 12728702/0 | Skruv | Screw | |
| 11 | 1 | 12728691/0 | Skruv | Screw | |
| 12 | 1 | 18204120/0 | Tätningshylsa | Battery Charger | (CE) |
| 12 | 1 | 18204121/0 | Batteriladdare | Battery Charger | (UK) |
| 13 | 1 | 18210016/1 | Kabel | Starting Key | |





COMBI 53 SEQ BW

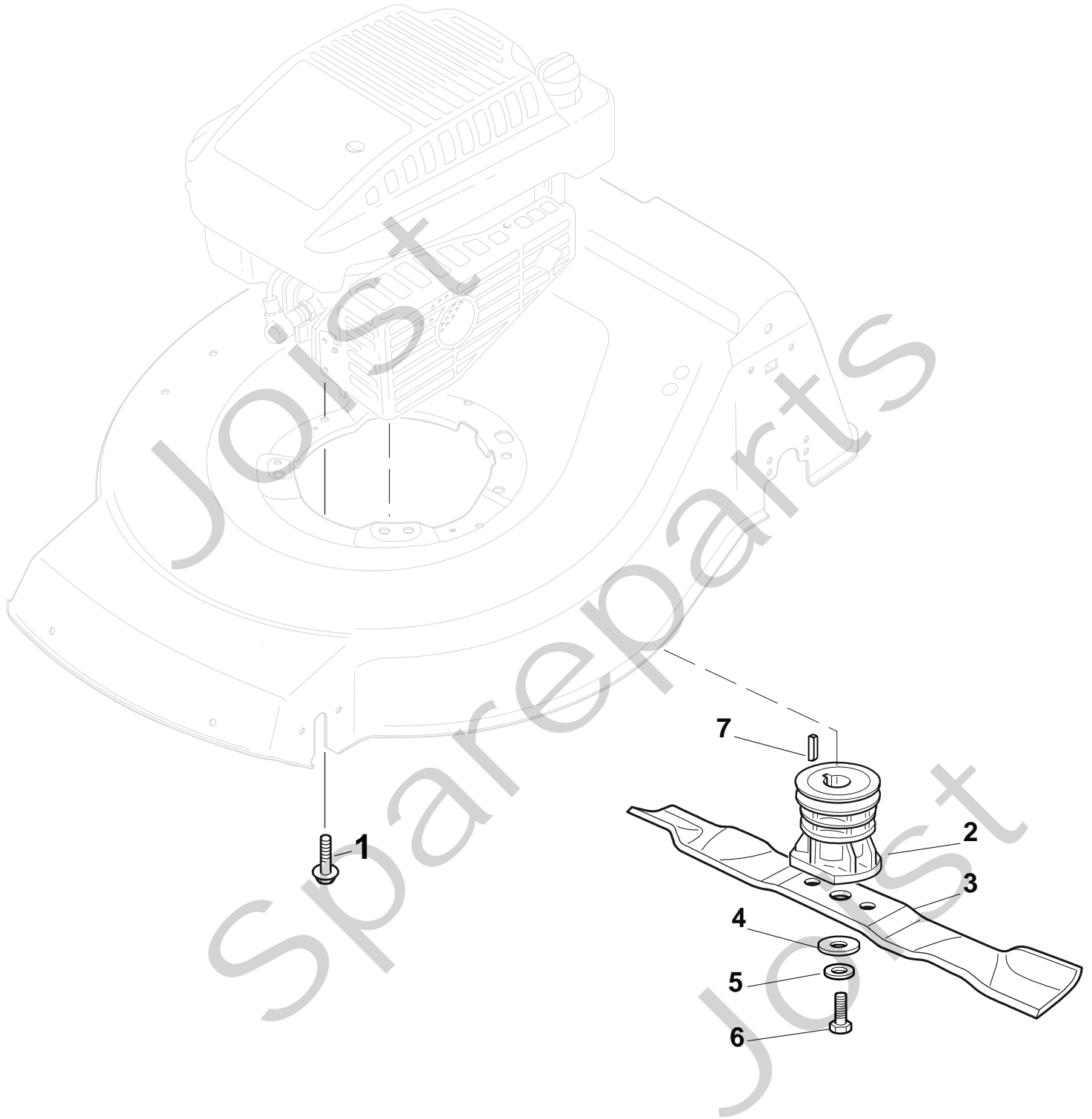
| Pos. Fig. | Antal Quantity | Art No Part No | Benämning | Description | Anmärkning Notes |
|-----------|----------------|----------------|----------------|----------------|------------------|
| 1 | 2 | 12608600/0 | Seeger | Seeger | |
| 2 | 4 | 112728697/0 | Skruv | Screw | |
| 3 | 2 | 322042063/0 | Bussning | Bush | |
| 4 | 2 | 22753000/0 | Stift | Pin | |
| 5 | 1 | 81003092/0 | Transmission | Gear Box | |
| 6 | 1 | 22601904/0 | Remskiva | Pulley | |
| 7 | 1 | 12645700/0 | Stift | Pin | |
| 8 | 1 | 22033283/0 | Justerstång | Adjustment Rod | |
| 9 | 1 | 35063902/0 | Drivrem Z 29,5 | Belt Z 29.5 | |
| 11 | 1 | 22041957/1 | Bussning | Bush | |
| 12 | 1 | 22450063/0 | Fjäder | Spring | |
| 13 | 1 | 22680009/0 | Bricka | Washer | |
| 14 | 1 | 12154510/0 | Mutter | Nut | |
| 15 | 1 | 22110230/0 | Huvstöd | Cap | |





COMBI 53 SEQ BW

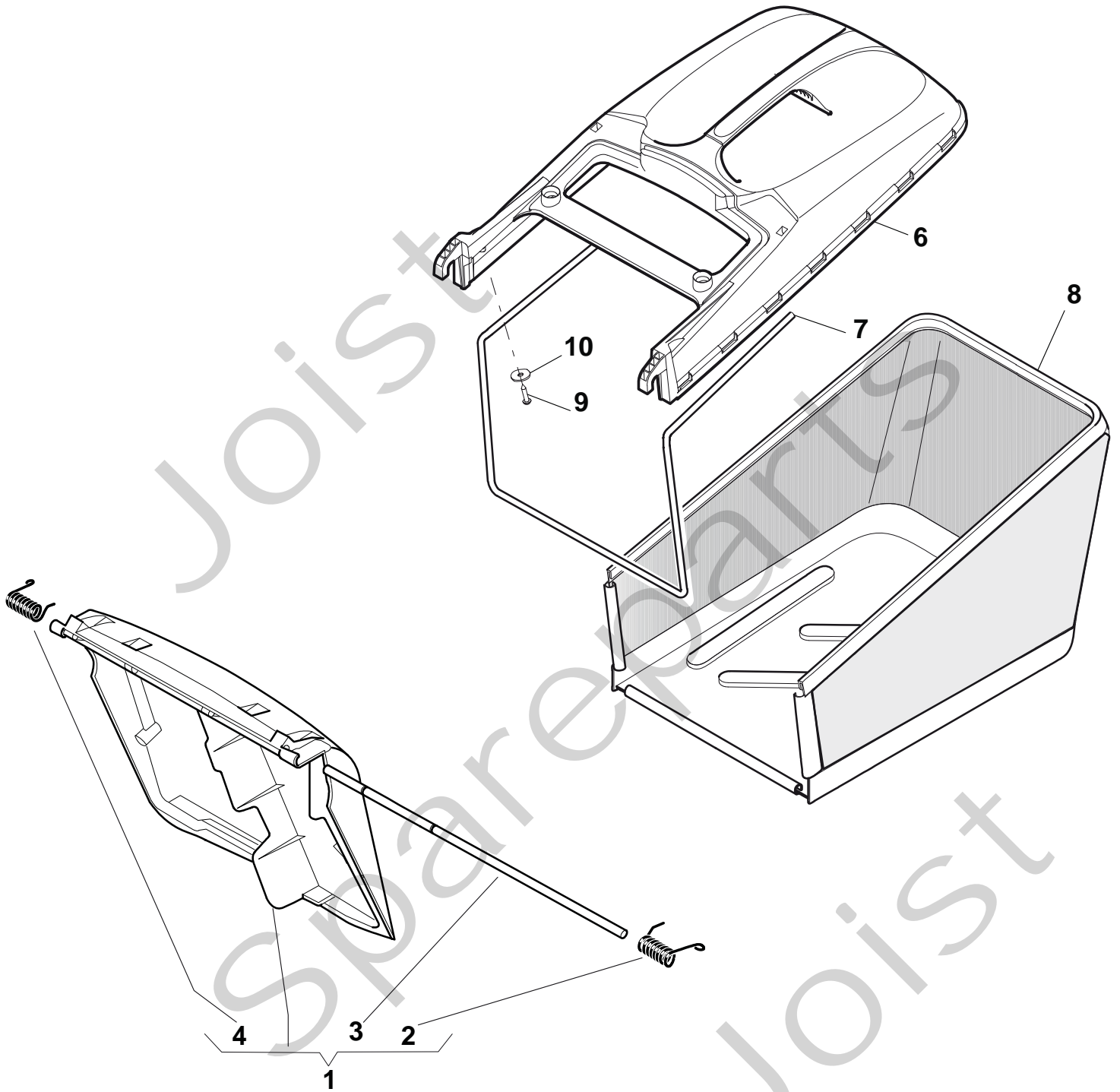
| Pos. Fig. | Antal Quantity | Art No Part No | Benämning | Description | Anmärkning Notes |
|-----------|----------------|----------------|------------|-------------|------------------|
| 1 | 8 | 19216035/0 | Låsring | Bearing | |
| 2 | 2 | 381007416/1 | Hjul Ø 200 | Ruota Ø 200 | |
| 3 | 2 | 322110645/0 | Navkapsel | Hub Cap | |
| 4 | 2 | 381007417/1 | Hjul Ø 280 | Ruota Ø 280 | |
| 5 | 2 | 322110646/0 | Navkapsel | Hub Cap | |





COMBI 53 SEQ BW

| Pos. Fig. | Antal Quantity | Art No Part No | Benämning | Description | Anmärkning Notes |
|-----------|----------------|----------------|--------------|------------------------------------|------------------|
| 1 | 3 | 112735108/1 | Skruv | Screw | |
| 2 | 1 | 122465607/3 | Fläkt Ø 22.2 | Hub With Pulley, Crankshaft Ø 22.2 | |
| 3 | 1 | 81004381/1 | Kniv | Blade Standard | |
| 4 | 1 | 22160400/0 | Dammskydd | Dust Cover | |
| 5 | 1 | 12523080/0 | Bricka | Washer | |
| 6 | 1 | 12735698/0 | Skruv | Screw | |
| 7 | 1 | 12139100/0 | Kil | Feather, Crankshaft Ø 22.2 | |

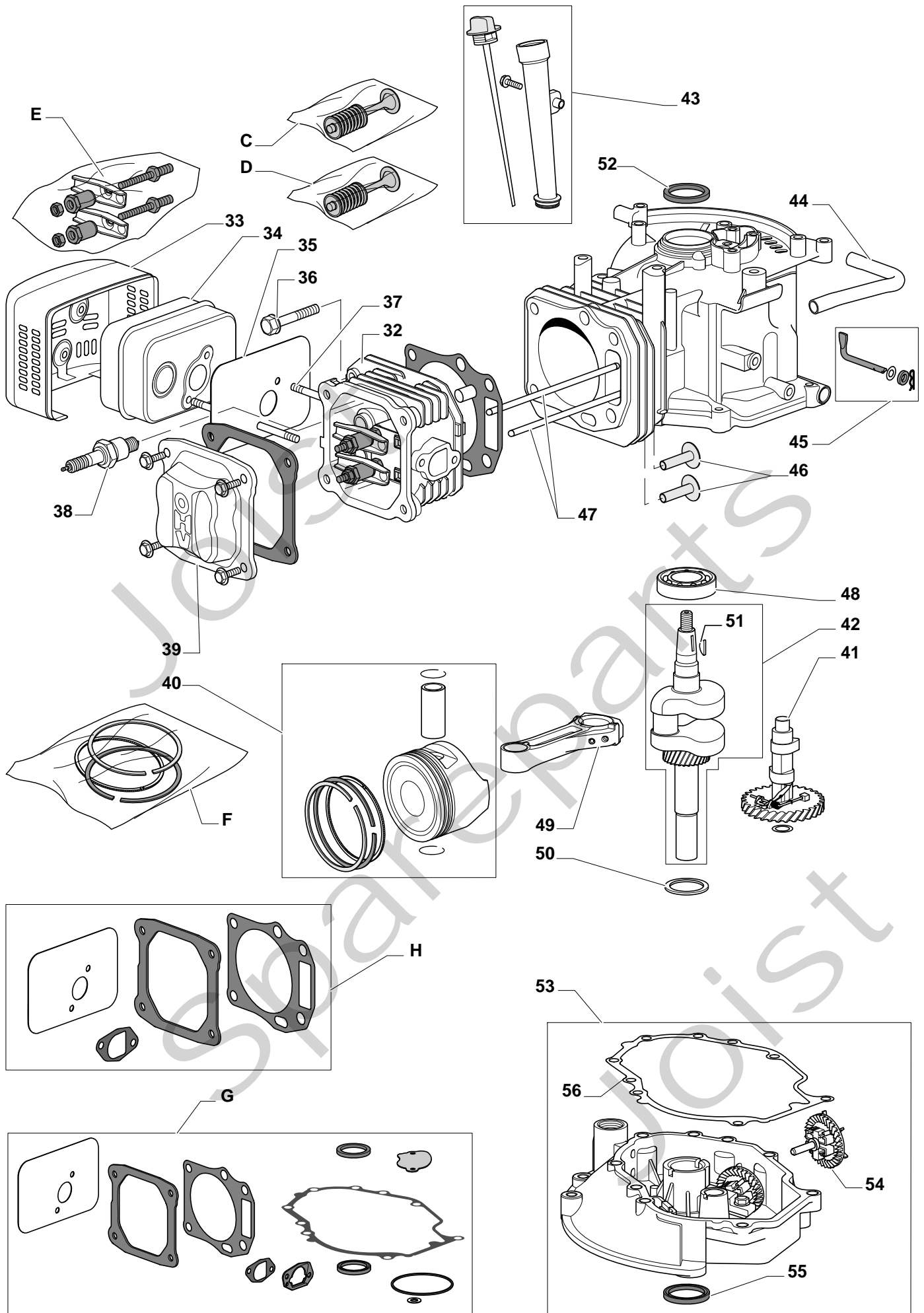




COMBI 53 SEQ BW

| Pos. Fig. | Antal Quantity | Art No Part No | Benämning | Description | Anmärkning Notes |
|-----------|----------------|----------------|--------------------|------------------|------------------|
| 1 | 1 | 381008081/1 | Lucka | Stone-Guard | |
| 2 | 1 | 122450466/0 | Fjäder | L Spring | |
| 3 | 1 | 122517882/0 | Stift | Pin | |
| 4 | 1 | 122450465/0 | Fjäder | R Spring | |
| 6 | 1 | 22486101/0 | Uppsamlare-överdel | Grass-Box, Upper | |
| 7 | 1 | 22608525/0 | Trådbygel | Stiffening Lower | |
| 8 | 1 | 81002211/0 | Uppsamlingsäck | Box, Fabric | |
| 9 | 2 | 12728680/0 | Skruv | Screw | |
| 10 | 2 | 12523050/0 | Bricka | Washer | |

COMBI 53 SEQ BW

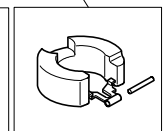
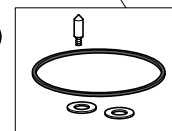
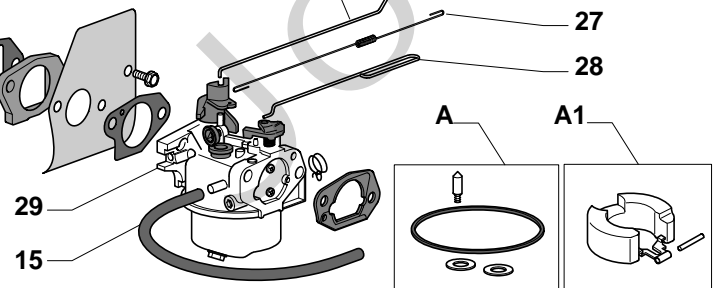
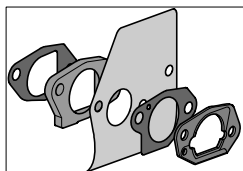
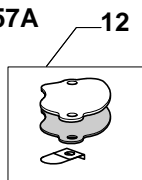
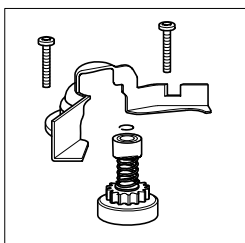
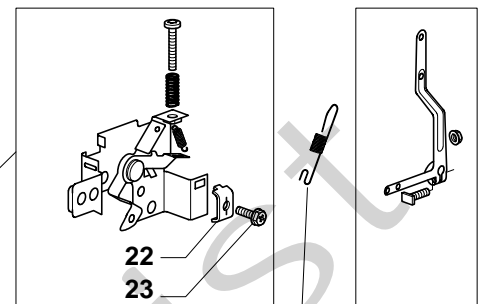
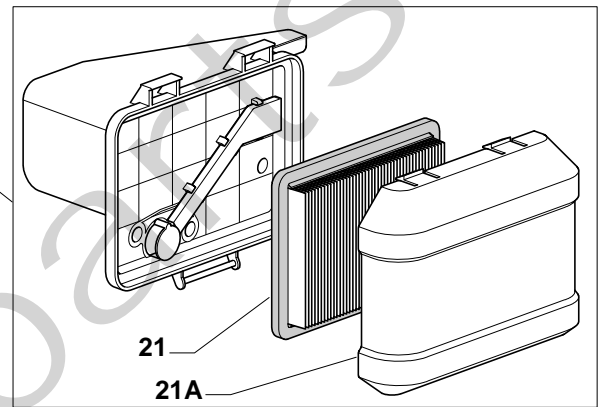
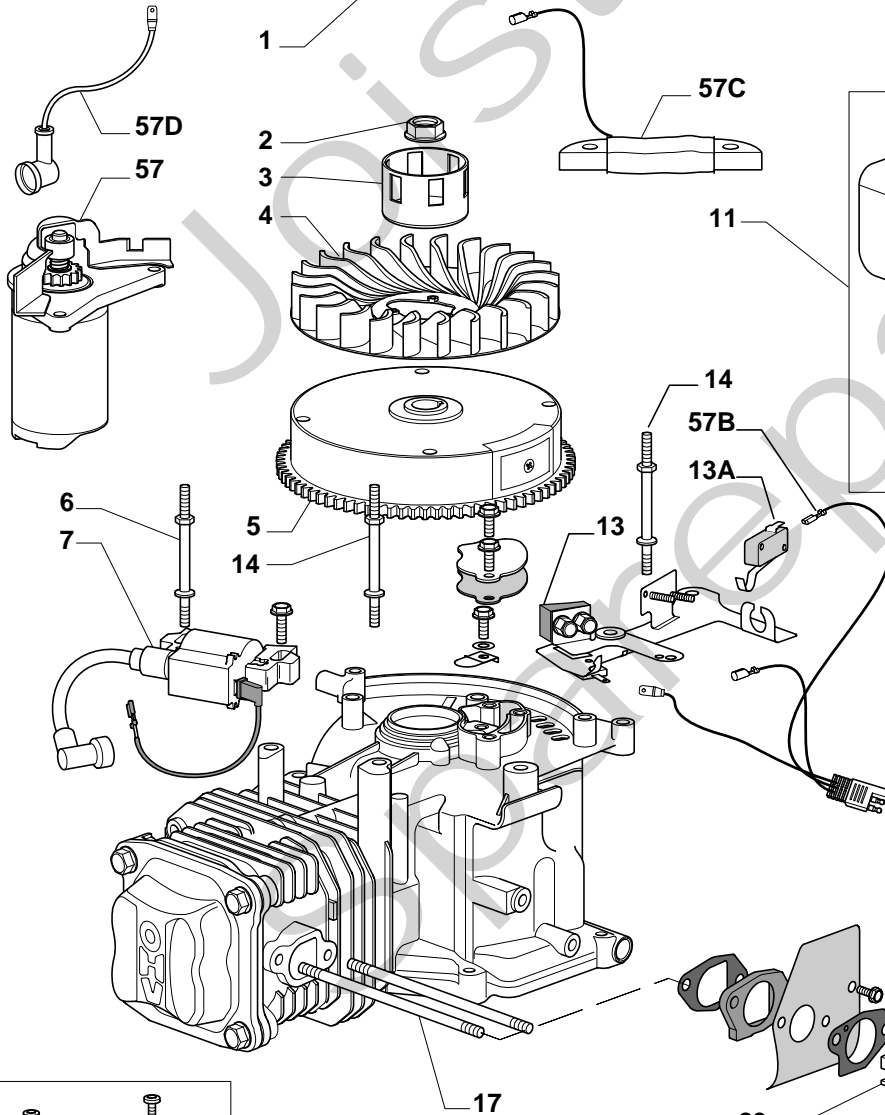
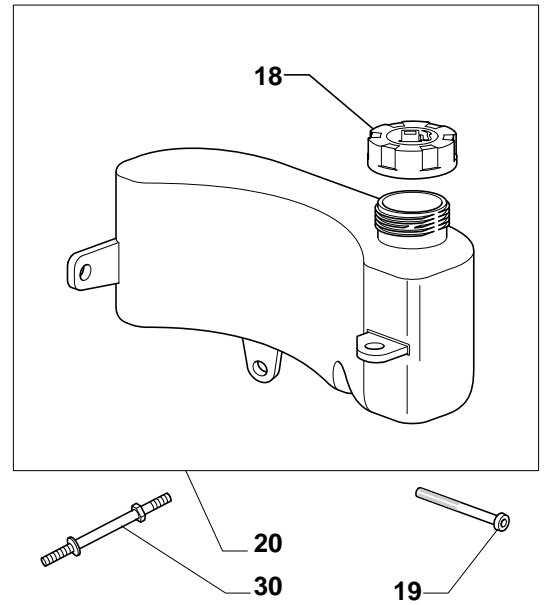
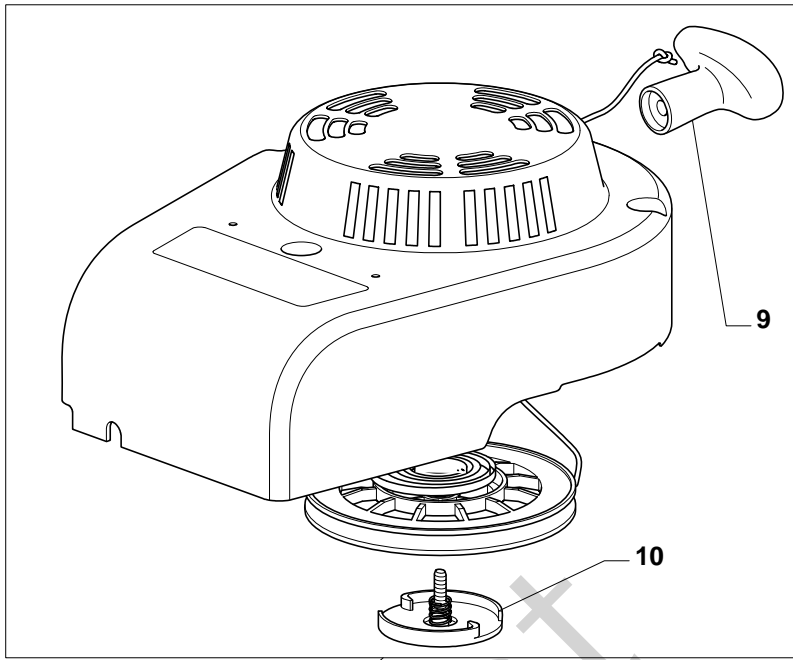




COMBI 53 SEQ BW

| Pos. Fig. | Antal Quantity | Art No Part No | Benämning | Description | Anmärkning Notes |
|-----------|----------------|----------------|--------------------------|--------------------------|------------------|
| E | 1 | 118550273/0 | Valve Arm Set | Valve Arm Set | |
| F | 1 | 118550286/0 | Piston, Ring Set | Piston, Ring Set | |
| C | 1 | 118550292/0 | Intake Valve Assy | Intake Valve Assy | |
| D | 1 | 118550294/0 | Exhaust Valve Assy | Exhaust Valve Assy | |
| G | 1 | 118550404/0 | Packning | Engine Gasket Set | |
| H | 1 | 118550406/0 | Cylinder Head Gasket Set | Cylinder Head Gasket Set | |
| 32 | 1 | 118550244/0 | Cylinder Head Assy | Cylinder Head Assy | |
| 33 | 1 | 118550268/1 | Ljuddämparskydd | Muffler Guard | |
| 34 | 1 | 118550269/0 | Ljuddämpare | Muffler | |
| 35 | 1 | 118550270/0 | Ljuddämparskydd | Gasket, Muffler | |
| 36 | 4 | 118550297/0 | Skruv | Screw | |
| 37 | 2 | 118550298/0 | Skruv | Stud Bolt | |
| 38 | 1 | 118550219/0 | Tändstift | Spark Plug | |
| 38 | 1 | 9400-0244-00 | Tändstift | Spark Plug | |
| 39 | 1 | 118550296/1 | Cover Comp., Head | Cover Comp., Head | |
| 40 | 1 | 118550278/0 | Kolv kpl | Piston Assy | |
| 41 | 1 | 118550271/0 | Camshaft Assy | Camshaft Assy | |
| 42 | 1 | 118550281/0 | Vevaxel | Crankshaft | |
| 43 | 1 | 118550311/0 | Oil Filler Assy | Oil Filler Assy | |
| 44 | 1 | 118550377/0 | Oljeslang | Breather Fule Pipe | |
| 45 | 1 | 118550308/0 | Vevaxel | Shaft, Governor Arm Assy | |
| 46 | 1 | 118550291/0 | Valve Lifter Assy | Valve Lifter Assy | |
| 47 | 1 | 118550289/0 | Push Rods Assy | Push Rods Assy | |
| 48 | 1 | 118550280/0 | Kullager | Bearing | |
| 49 | 1 | 118550284/0 | Connecting Rod Assy | Connecting Rod Assy | |
| 50 | 1 | 118550283/0 | Bricka | Washer | |
| 51 | 1 | 118550288/0 | Kil | Flywheel Key | |
| 52 | 1 | 118550300/0 | Tätningring | Oil Seal | |
| 53 | 1 | 118550383/0 | Vevhus | Crankcase Cover Assy | |
| 54 | 1 | 118550312/0 | Speed Governor Assy | Speed Governor Assy | |
| 55 | 1 | 118550379/0 | Tätningring | Oil Seal | |
| 56 | 1 | 118550380/0 | Packning | Crankcase Gasket | |

COMBI 53 SEQ BW

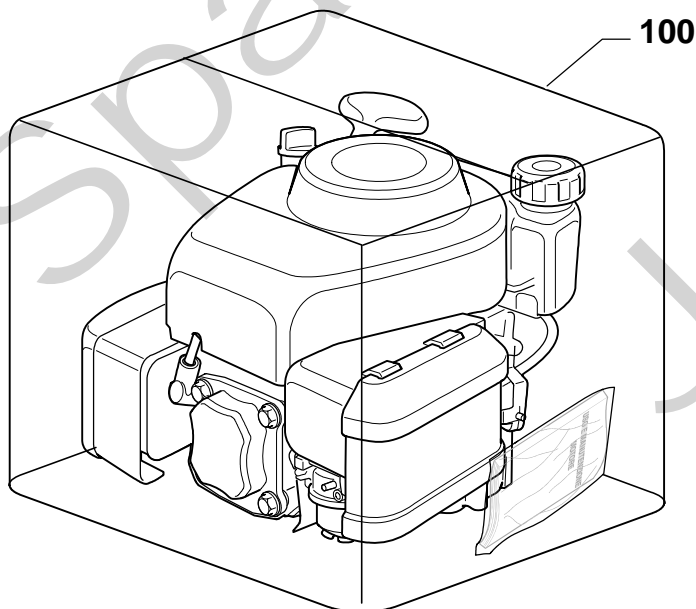
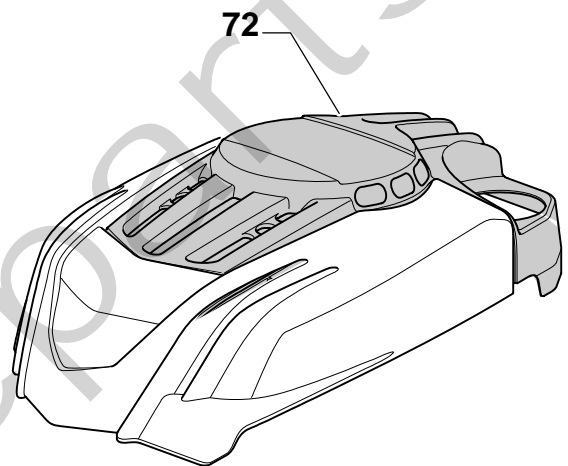
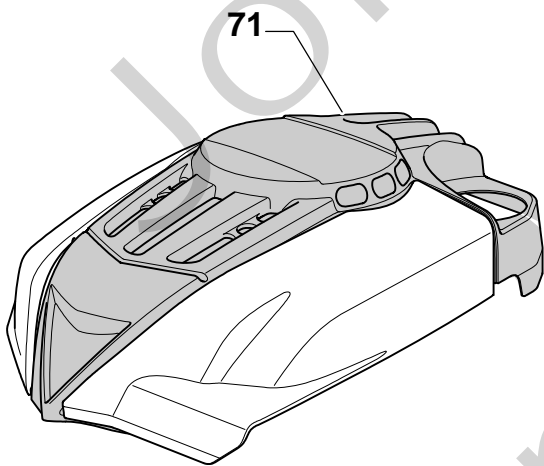
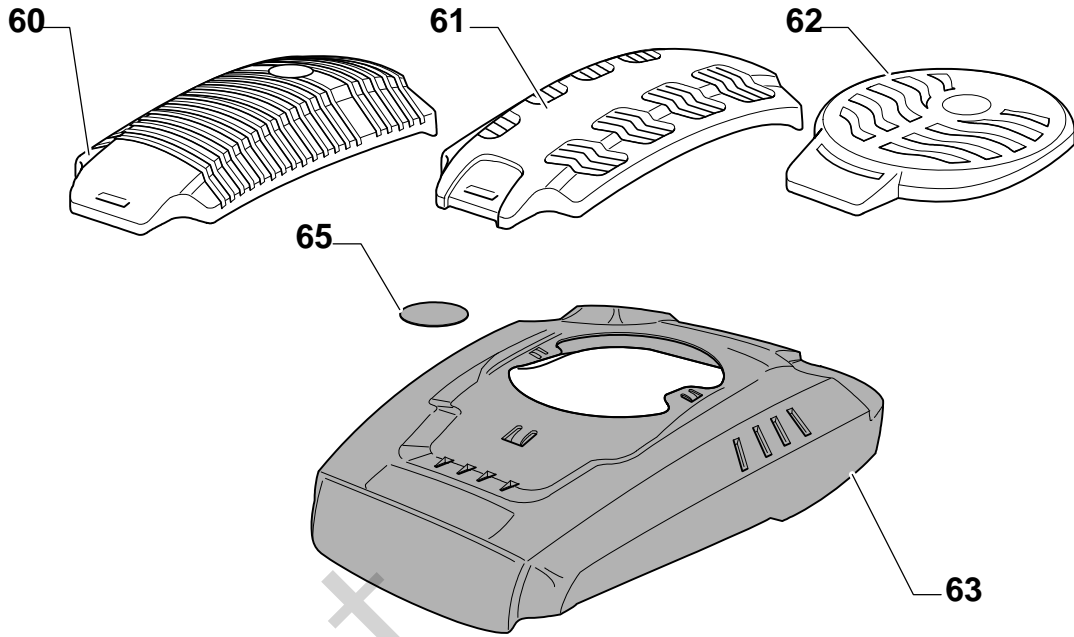




COMBI 53 SEQ BW

| Pos. Fig. | Antal Quantity | Art No Part No | Benämning | Description | Anmärkning Notes |
|-----------|----------------|----------------|---------------------------------|---------------------------------|------------------|
| B | 1 | 118550248/0 | Packning | Gasket Carburettor Assy | |
| A | 1 | 118550389/0 | Kit Repair, Carburettor | Kit Repair, Carburettor | |
| 1 | 1 | 118550276/0 | Start kpl | Starter Assy | |
| A1 | 1 | 118550388/0 | Kit Repair, Carburettor | Kit Repair, Carburettor | |
| 2 | 1 | 118550336/0 | Mutter | Nut | |
| 3 | 1 | 118550335/0 | Starter Cup | Starter Cup | |
| 4 | 1 | 118550254/0 | Fläkt | Flywheel Fan | |
| 5 | 1 | 118550392/0 | Svänghjul | Flywheel Ass.Y | |
| 6 | 1 | 118550301/0 | Skruv | Stud Bolt | |
| 7 | 1 | 118550255/0 | Elektron kspole | Electronic Coil | |
| 9 | 1 | 118550274/0 | Starthandtag | Starter Handle | |
| 10 | 1 | 118550275/0 | Starter Pawl Set | Starter Pawl Set | |
| 11 | 1 | 118550258/1 | Luftfilter | Air Cleaner Assy | |
| 12 | 1 | 118550378/0 | Packning | Gasket Assy | |
| 13A | 1 | 118550400/0 | Brytare | Micro | |
| 13 | 1 | 118550527/0 | Flywheel Brake/Stop Switch Assy | Flywheel Brake/Stop Switch Assy | |
| 14 | 2 | 118550302/0 | Skruv | Stud Bolt | |
| 15 | 1 | 118550340/0 | Bränsleslang-in | Fuel Pipe | |
| 16 | 1 | 118550259/0 | Remote Control Assy | Remote Control Assy | |
| 17 | 2 | 118550298/0 | Skruv | Stud Bolt | |
| 18 | 1 | 118550339/0 | Lock | Fuel Cap | |
| 19 | 1 | 118550314/0 | Bränslefilter | Fuel Filter | |
| 20 | 1 | 118550316/0 | Tank | Tank | |
| 21 | 1 | 118550257/0 | Luftfilter | Air Filter | |
| 21A | 1 | 118550396/0 | Luftfilterlock | Air Cleaner Cover | |
| 22 | 1 | 118550337/0 | Casing Clamp | Casing Clamp | |
| 23 | 1 | 118550338/0 | Skruv | Screw | |
| 24 | 1 | 118550397/0 | Governor Link | Governor Link | |
| 25 | 1 | 118550260/0 | Fjäder | Spring | |
| 26 | 1 | 118550266/0 | Arm Governor Assy | Arm Governor Assy | |
| 27 | 1 | 118550263/0 | Fjäder | Spring | |
| 28 | 1 | 118550264/0 | Choke Control Rod | Choke Control Rod | |
| 29 | 1 | 118550251/0 | Förgasare | Carburettor | |
| 30 | 1 | 118550315/0 | Skruv | Stud Bolt | |
| 57B | 1 | 118550393/0 | Switch Wires | Switch Wires | |
| 57C | 1 | 118550394/0 | Coil Assy, Charge | Coil Assy, Charge | |
| 57D | 1 | 118550395/0 | Switch Wires | Switch Wires | |
| 57 | 1 | 118550401/0 | Start Motor Assy | Start Motor Assy | |
| 57A | 1 | 118550402/0 | Kit Repair | Kit Repair | |

COMBI 53 SEQ BW





COMBI 53 SEQ BW

| Pos. Fig. | Antal Quantity | Art No Part No | Benämning | Description | Anmärkning Notes |
|-----------|----------------|----------------|------------------|------------------|------------------|
| 60 | 1 | 22055452/0 | Kåpa Wm45 | Cover Wm45 | |
| 61 | 1 | 22055450/0 | Kåpa Rm45 | Cover Rm45 | |
| 62 | 1 | 22055439/0 | Kåpa Om45 | Cover Om45 | |
| 63 | 1 | 322055463/1 | Kåpa | Cover | |
| 71 | 1 | 381002068/0 | Kåpa | Cover | |
| 72 | 1 | 381002067/0 | Kåpa | Cover | |
| 100 | 1 | 118550408/0 | Engine Assembled | Engine Assembled | |