

Genuine Spare Parts

www.stiga.com

COMBI 48 ELS Model Year 2011

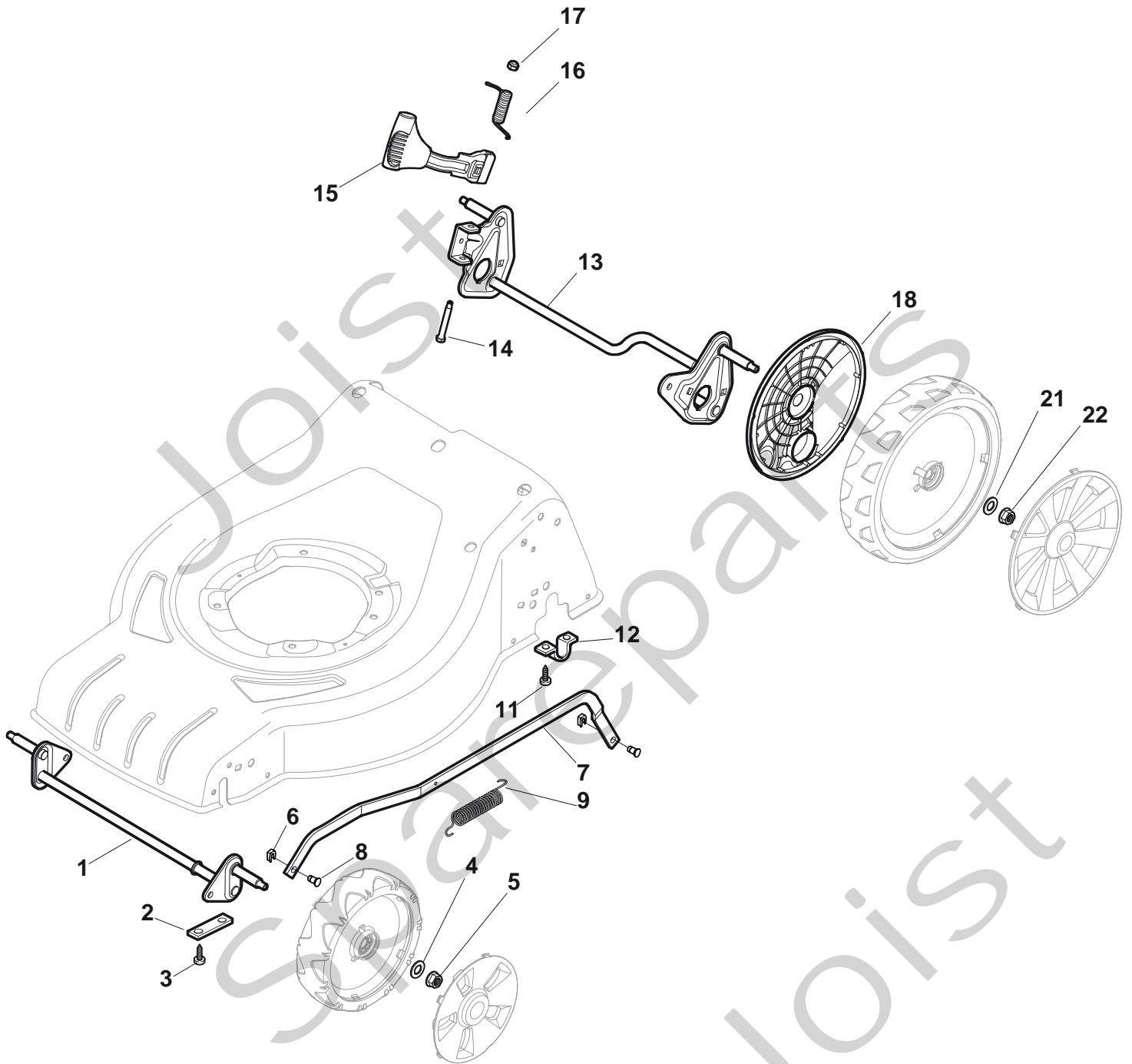
- Use GLOBAL GARDEN PRODUCT Genuine Spare Parts specified in the parts list for repair and/or replacement.
- The contents described in the parts list may change due to improvement.
- The drawings of the spare parts are only indicative and might not represent the part in question exactly.
- The indications "right" - "left" - "front" - "rear" refer to the position of the operator when using the machine.
- When placing orders of parts for repair and/or replacement, make sure that the illustrated parts list is the one applying to the machine's year of manufacture, as shown on the identification plate attached to the machine.

COPYRIGHT by GLOBAL GARDEN PRODUCTS

All rights reserved. No part of this material may be reproduced or transmitted, in any form or by any means, electronic or mechanical, including photocopying, recording or by any information storage and retrieval system, without permission in writing from GLOBAL GARDEN PRODUCTS.



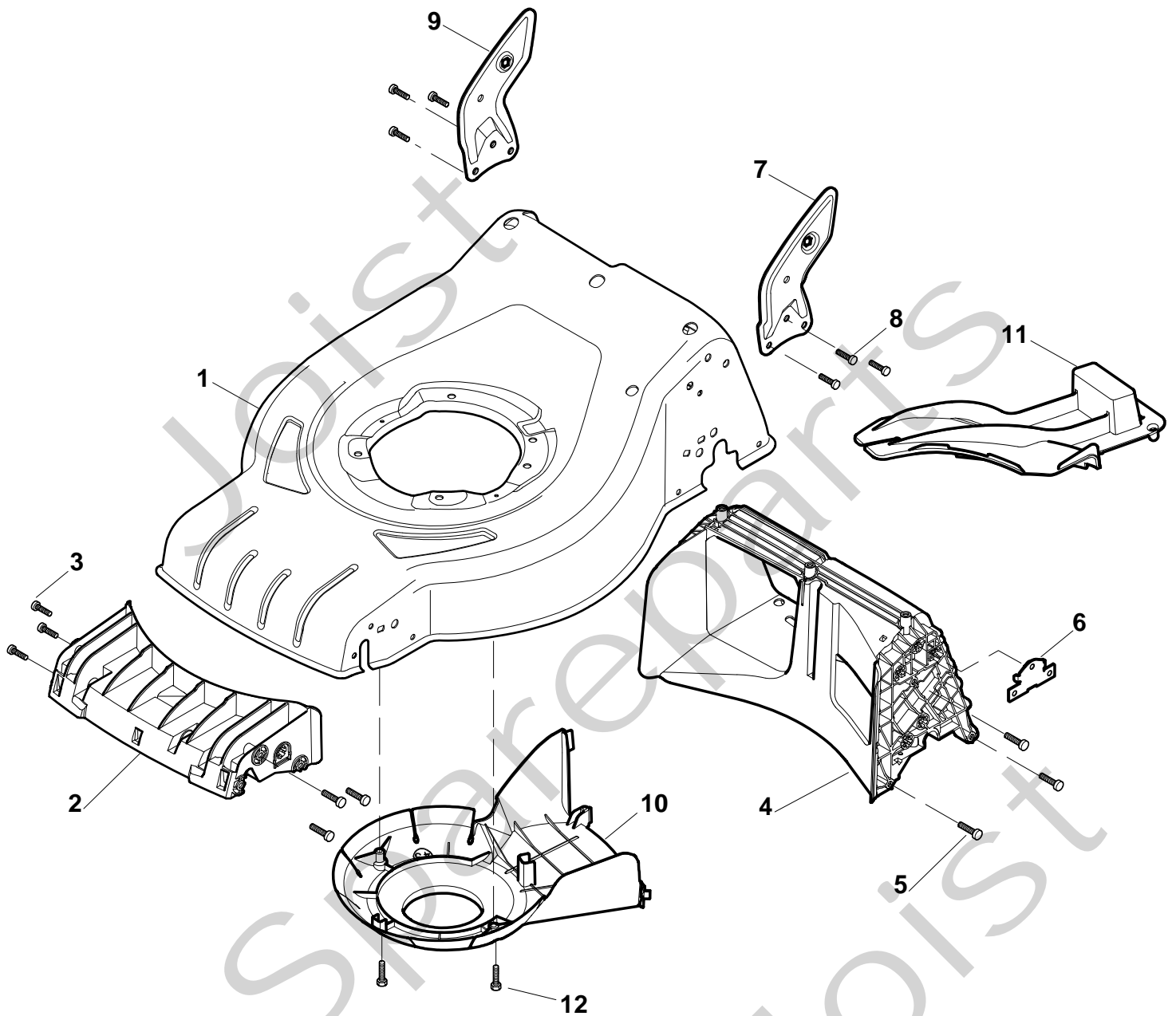
COMBI 48 ELS





COMBI 48 ELS

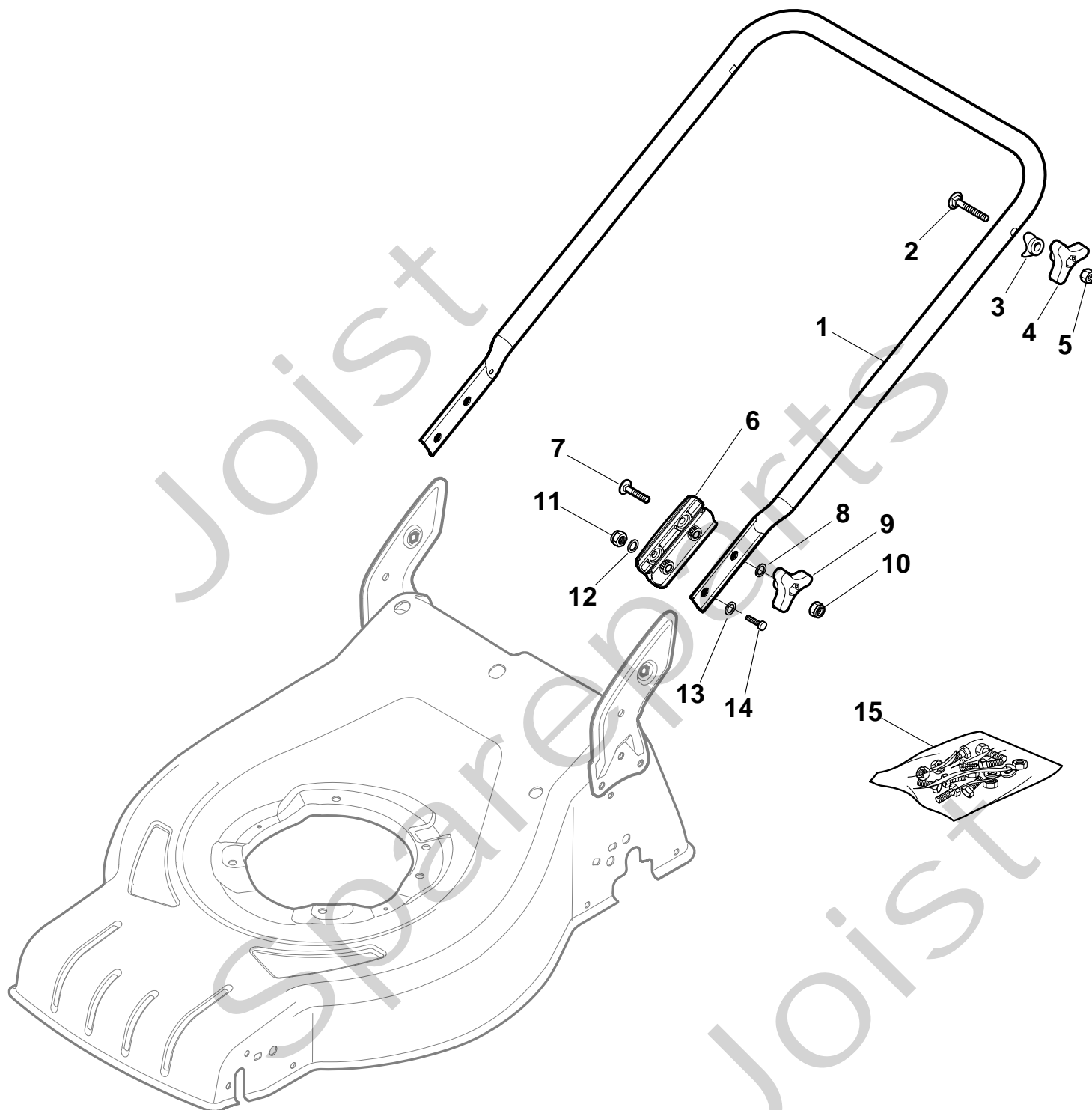
Pos. Fig.	Antal Quantity	Art No Part No	Benämning	Description	Anmärkning Notes
1	1	381302821/0	Hjulaxel-fram	Axle, Front Wheels	
2	2	22545142/0	Plåt	Plate	
3	4	112728698/0	Skruv	Screw	
4	2	12521350/0	Bricka	Washer	
5	2	12155000/0	Mutter	Nut	
6	2	112436051/0	Plåt	Plate	
7	1	322869673/0	Höjdinställn.stång	Rod, Height Adjustment	
8	2	122519820/0	Stift	Pin	
9	1	122446193/0	Fjäder	Spring	
11	4	112728698/0	Skruv	Screw	
12	2	22545152/0	Plåt	Plate	
13	1	381302817/0	Hjulaxel-bakre	Axle, Rear Wheels	
14	1	122534131/0	Remstyrning	Pin	
15	1	381003357/0	Höjdinställningsspak	Lever, Height Adjustment	
16	1	122446192/0	Fjäder	Spring	
17	1	12154510/0	Mutter	Nut	
18	2	322600205/0	Hjulskydd	Wheel Protection	
21	2	12521350/0	Bricka	Washer	
22	2	12155000/0	Mutter	Nut	





COMBI 48 ELS

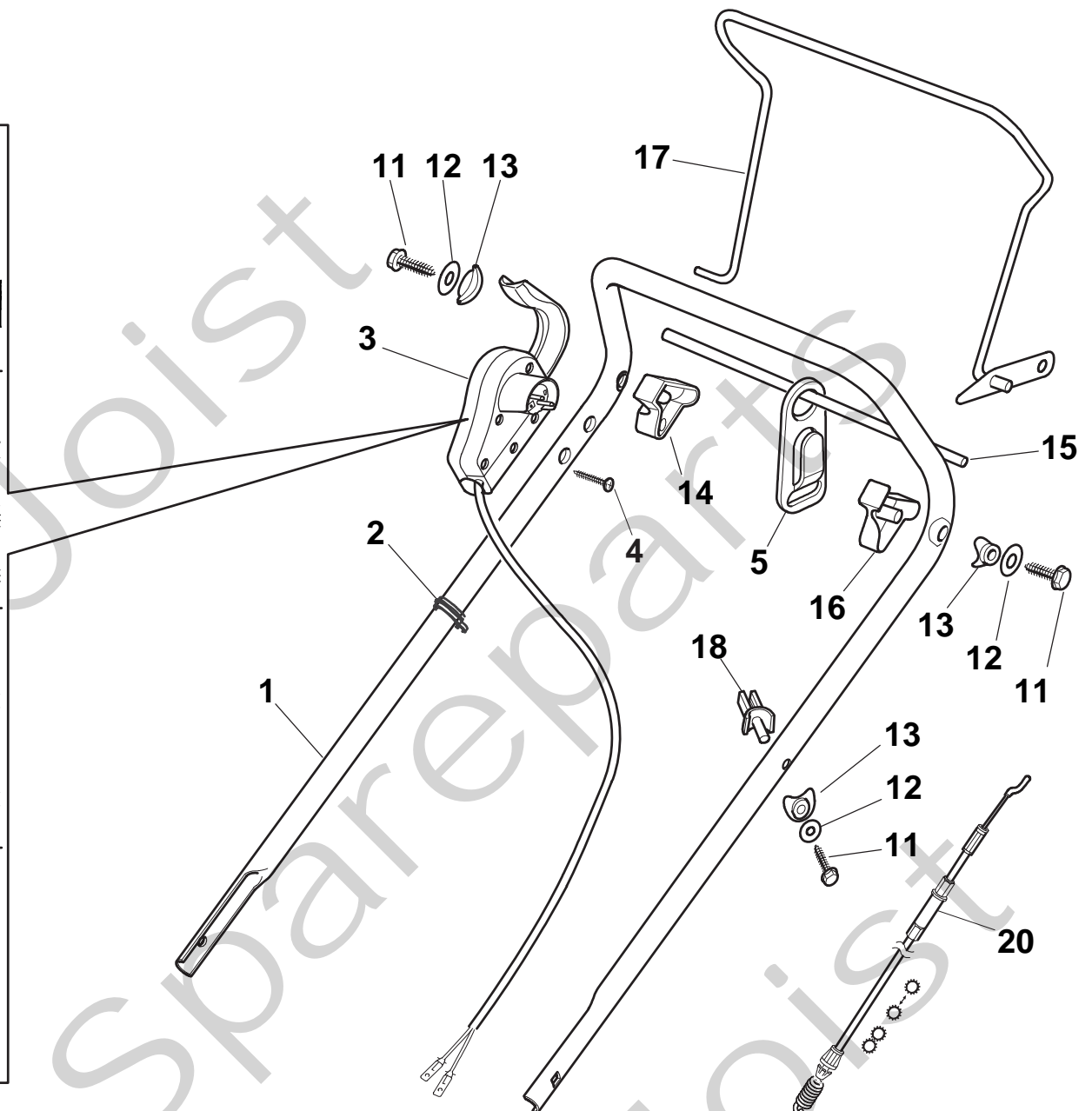
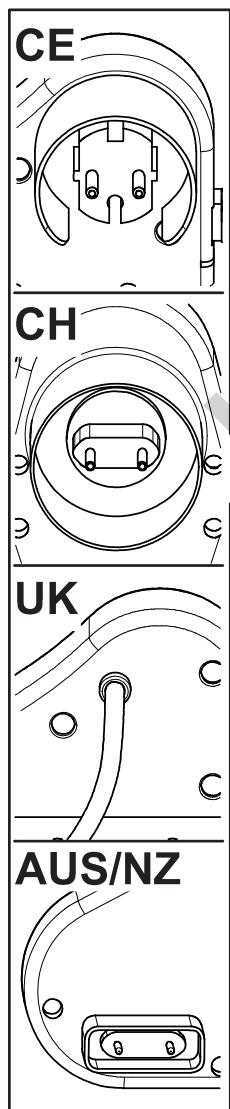
Pos. Fig.	Antal Quantity	Art No Part No	Benämning	Description	Anmärkning Notes
1	1	381004024/0	Chassi	Deck	
2	1	322108301/0	Ledplåt-främre	Front Conveyor Assy	
3	6	112728699/0	Skruv	Screw	
4	1	322108302/0	Ledplåt-bakre	Rear Conveyor Assy	
5	6	112728699/0	Skruv	Screw	
6	2	322545213/0	Plåt	Plate	
7	1	381005139/0	Fäste-vä	Bracket, L	
8	6	112727801/0	Skruv	Screw	
9	1	381005137/0	Fäste-hö	Bracket, R	
10	1	322060242/0	Remskydd	Protection, Belt	
11	1	322140239/0	Deflektor	Deflector	
12	2	12728530/0	Skruv	Screw	

COMBI 48 ELS



COMBI 48 ELS

Pos. Fig.	Antal Quantity	Art No Part No	Benämning	Description	Anmärkning Notes
1	1	381006735/0	Styre-underdel	Handle, Lower Part	
2	2	12819120/0	Skruv	Screw	
3	2	22680006/1	Bricka	Washer	
4	2	322399840/0	Knopp	Knob	
5	2	12293200/0	Mutter	Nut	
6	2	322551582/0	Isoleringsplatta	Isolation Plate	
7	2	12819110/0	Skruv	Screw	
8	2	12523060/0	Bricka	Washer	
9	2	322399840/0	Knopp	Knob	
10	2	12293200/0	Mutter	Nut	
11	2	12155000/0	Mutter	Nut	
12	2	12521350/0	Bricka	Washer	
13	2	12521350/0	Bricka	Washer	
14	2	12793701/0	Skruv	Screw	
15	1	381008698/0	Skruvsats	Outfit, Screws	





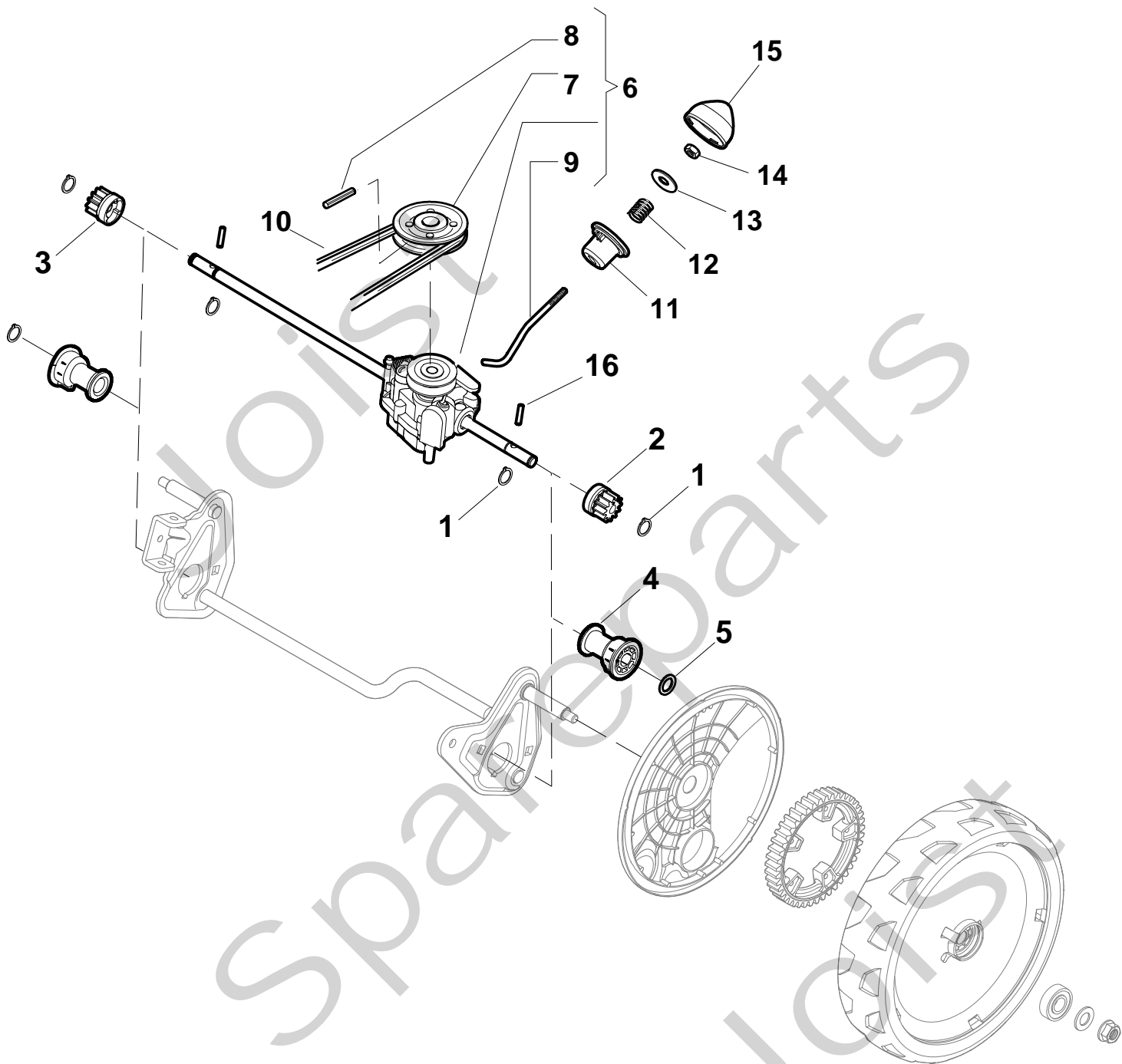
COMBI 48 ELS

Pos. Fig.	Antal Quantity	Art No Part No	Benämning	Description	Anmärkning Notes
1	1	81006603/0	Styre-överdel	Handle, Upper Part	
2	2	22192000/1	Distans	Clamp	
3	1	18710628/0	Plugg	Dead Hand Switch	AUS/NZ
3	1	81600500/1	Manöverdosa	Dead Hand Switch	CE
3	1	81600501/1	Manöverdosa	Dead Hand Switch	CH
3	1	81600502/1	Manöverdosa	Dead Hand Switch	UK
4	2	12728701/0	Skruv	Screw	
5	1	22195101/4	Kabelhållare	Fairlead	
11	3	12735103/0	Skruv	Screw	
12	3	12523040/0	Bricka	Washer	
13	3	22680006/1	Bricka	Washer	
14	1	322806518/2	Stöd-hö	Support, R	
15	1	22020320/0	Hållare	Fairlead Bearing	
16	1	322806519/2	Stöd-vä	Support, L	
17	1	81001245/1	Reglagebygel-drivning	Driving Lever	
18	1	22806520/0	Support, Adjuster	Support, Adjuster	
20	1	381030012/0	Kopplingswire	Cable, Rear Drive	



COMBI 48 ELS

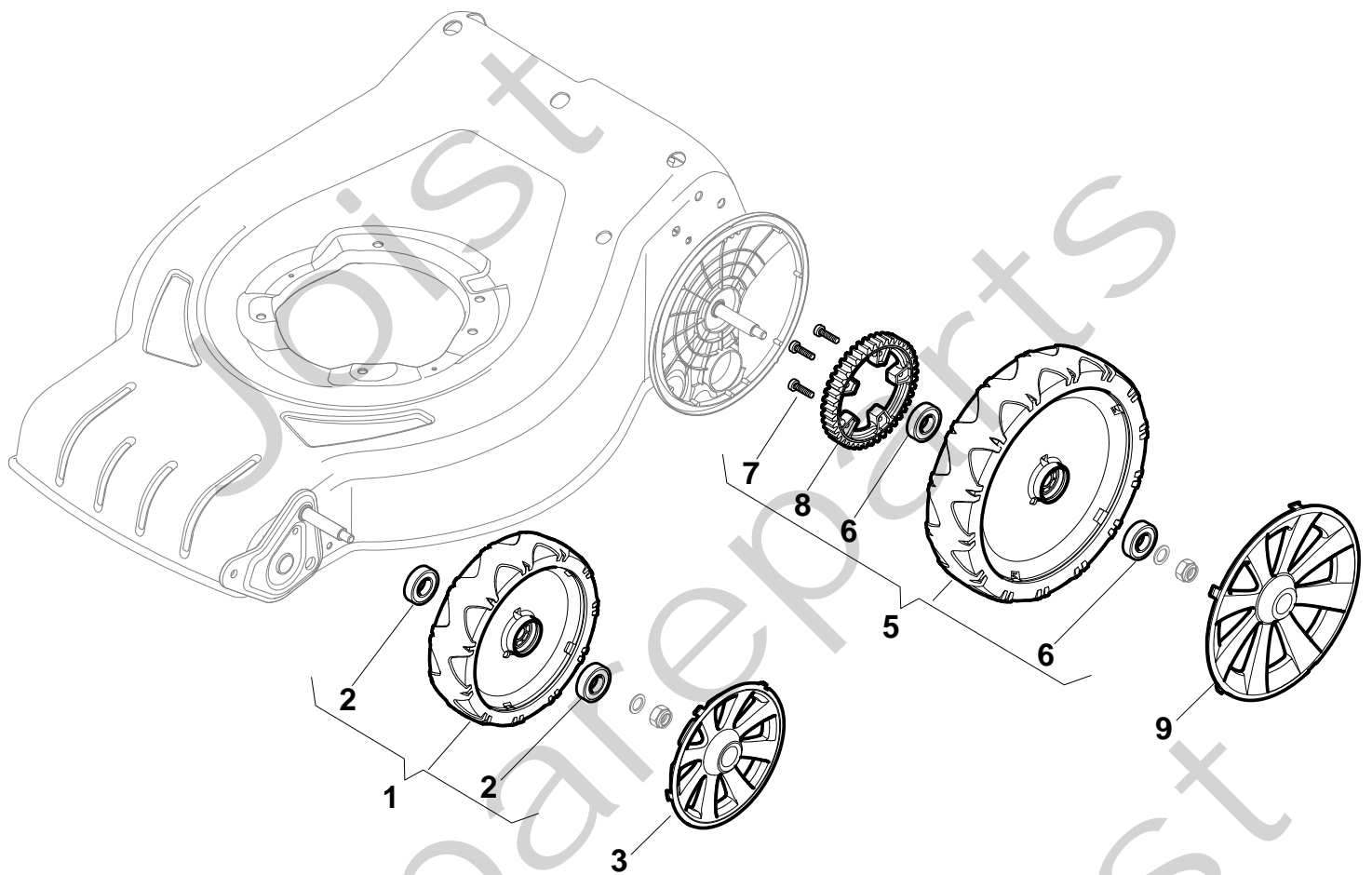
Pos. Fig.	Antal Quantity	Art No Part No	Benämning	Description	Anmärkning Notes
1	1	81006603/0	Styre-överdel	Handle, Upper Part	
2	2	22192000/1	Distans	Clamp	
3	1	18710628/0	Plugg	Dead Hand Switch	AUS/NZ
3	1	81600500/1	Manöverdosa	Dead Hand Switch	CE
3	1	81600501/1	Manöverdosa	Dead Hand Switch	CH
3	1	81600502/1	Manöverdosa	Dead Hand Switch	UK
4	2	12728701/0	Skruv	Screw	
5	1	22195101/4	Kabelhållare	Fairlead	
11	3	12735103/0	Skruv	Screw	
12	3	12523040/0	Bricka	Washer	
13	3	22680006/1	Bricka	Washer	
14	1	322806518/2	Stöd-hö	Support, R	
15	1	22020320/0	Hållare	Fairlead Bearing	
16	1	322806519/2	Stöd-vä	Support, L	
17	1	81001245/1	Reglagebygel-drivning	Driving Lever	
18	1	22806520/0	Support, Adjuster	Support, Adjuster	





COMBI 48 ELS

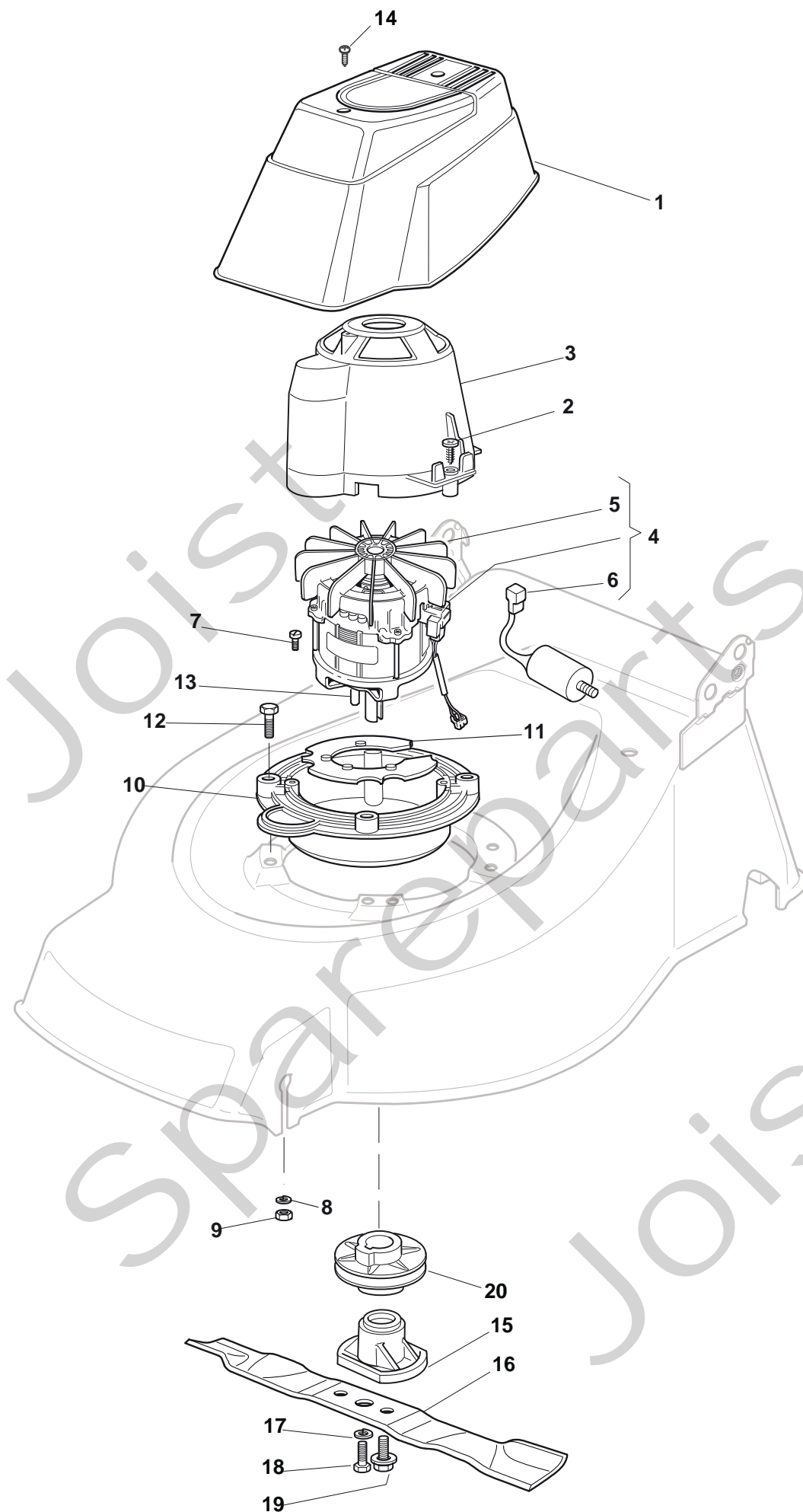
Pos. Fig.	Antal Quantity	Art No Part No	Benämning	Description	Anmärkning Notes
1	4	12608600/0	Seeger	Seeger	
2	1	22570120/1	Drev vä	Pinion L	
3	1	22570110/1	Drev hö	Pinion R	
4	2	322042066/0	Bussning	Bush	
5	2	112521371/0	Bricka	Washer	
6	1	81003092/0	Transmission	Gear Box	
7	1	22601904/0	Remskiva	Pulley	
8	1	12645700/0	Stift	Pin	
9	1	22033283/0	Justerstång	Adjustment Rod	
10	1	35063800/0	Drivrem Z 27	Belt Z 27	
11	1	22041957/1	Bussning	Bush	
12	1	22450063/0	Fjäder	Spring	
13	1	22680009/0	Bricka	Washer	
14	1	12154510/0	Mutter	Nut	
15	1	22110230/0	Huvstöd	Cap	
16	2	22753000/0	Stift	Pin	





COMBI 48 ELS

Pos. Fig.	Antal Quantity	Art No Part No	Benämning	Description	Anmärkning Notes
1	2	381007455/0	Hjul Ø 180	Wheel Ø 180	
2	4	19216035/0	Låsring	Bearing	
3	2	322110638/0	Navkapsel-grå	Hub Cap Grey	
5	2	381007467/0	Hjul Ø 240	Wheel Ø 240	
6	4	19216035/0	Låsring	Bearing	
7	6	112728706/0	Skruv	Screw	
8	2	322120117/0	Ringdrev	Ring Gear	
9	2	322110639/0	Navkapsel-grå	Hub Cap Grey	

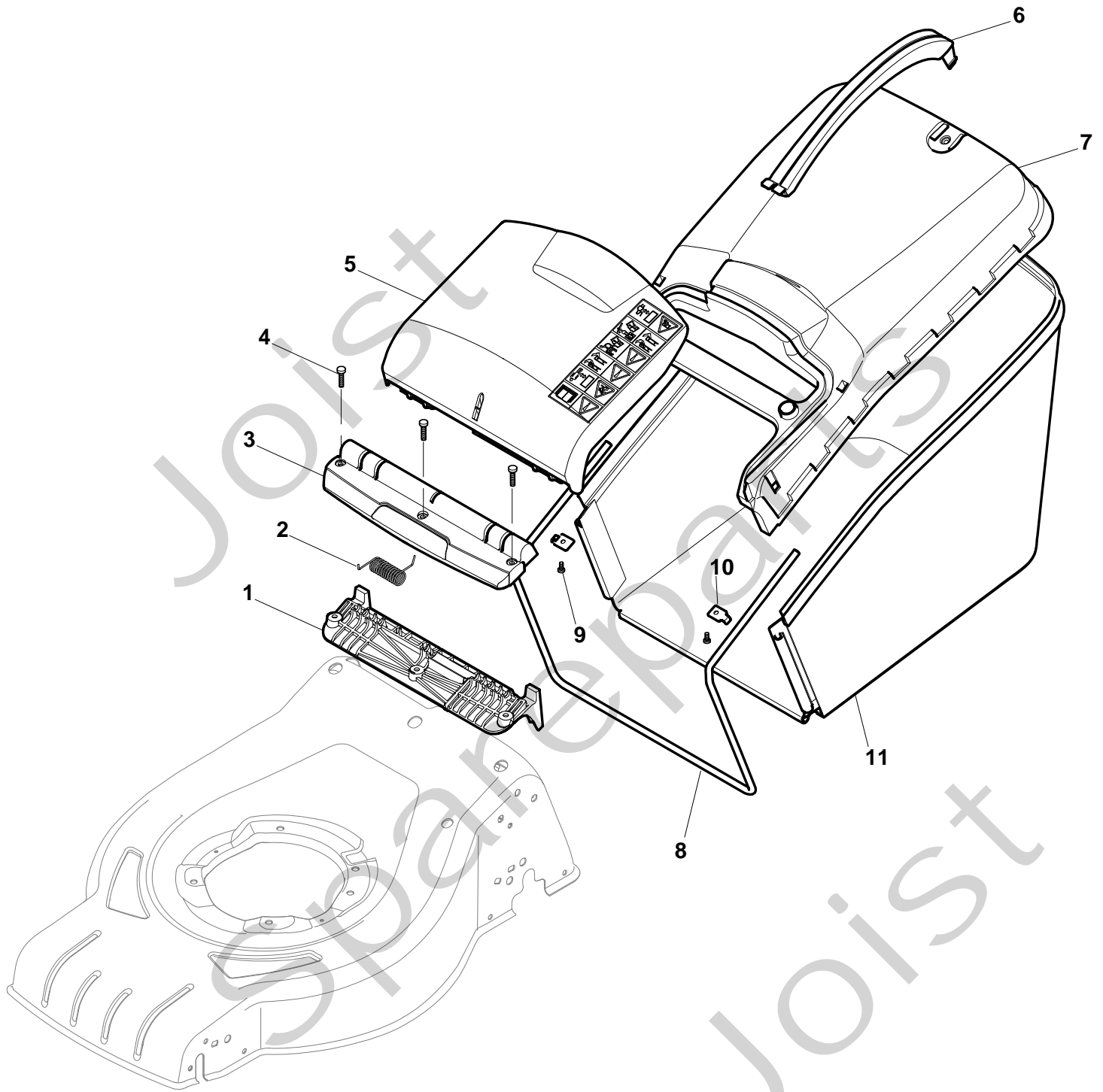
COMBI 48 ELS



COMBI 48 ELS

Pos. Fig.	Antal Quantity	Art No Part No	Benämning	Description	Anmärkning Notes
1	1	22055045/1	Motorkåpa	Cover	
2	1	22785210/0	Huvstöd	Support, Cover	
3	4	12728710/0	Skruv	Screw	
4	1	118563641/1	Elmotor	Motor Atb	
5	1	18740054/0	Fläkt	Fan Motor Atb	
6	1	18222039/0	Starting Key	Condenser 25 µf	
7	4	12735410/0	Skruv	Screw	
8	4	12583500/0	Bricka	Grower	
9	4	12293200/0	Mutter	Nut	
10	1	322207211/4	Fläns	Flange	
11	1	322720360/2	Baksida	Ventilation Screen	
12	4	12793700/0	Skruv	Screw	
13	1	12139440/0	Kil	Feather	
14	2	12728680/0	Skruv	Screw	
15	1	322463186/3	Nav	Hub	
16	1	81004346/3	Kniv	Blade Standard	
17	2	12583500/0	Bricka	Grower	
18	2	12793102/0	Skruv	Screw	
19	1	381004352/1	Skruv	Screw	
20	1	22601911/1	Remskiva	Pulley	

COMBI 48 ELS





COMBI 48 ELS

Pos. Fig.	Antal Quantity	Art No Part No	Benämning	Description	Anmärkning Notes
1	1	322785331/0	Fäste	Support	
2	1	122450464/0	Fjäder	Spring	
3	1	322109556/0	Skyddsplåt	Cover	
4	3	112728699/0	Skruv	Screw	
5	1	322600214/0	Lucka	Stone-Guard	
6	1	322393646/0	Handtag	Handle	
7	1	322486264/0	Uppsamlare-överdel	Grassbox Upper Part	
8	1	122608561/0	Trådbygel	Stiffening Lower	
9	2	322545159/0	Plåt	Plate	
10	2	12728692/0	Skruv	Screw	
11	1	181002318/0	Uppsamlingsäck	Box, Fabric	