

Genuine Spare Parts

www.stiga.com

COLLECTOR 46 S B Model Year 2011

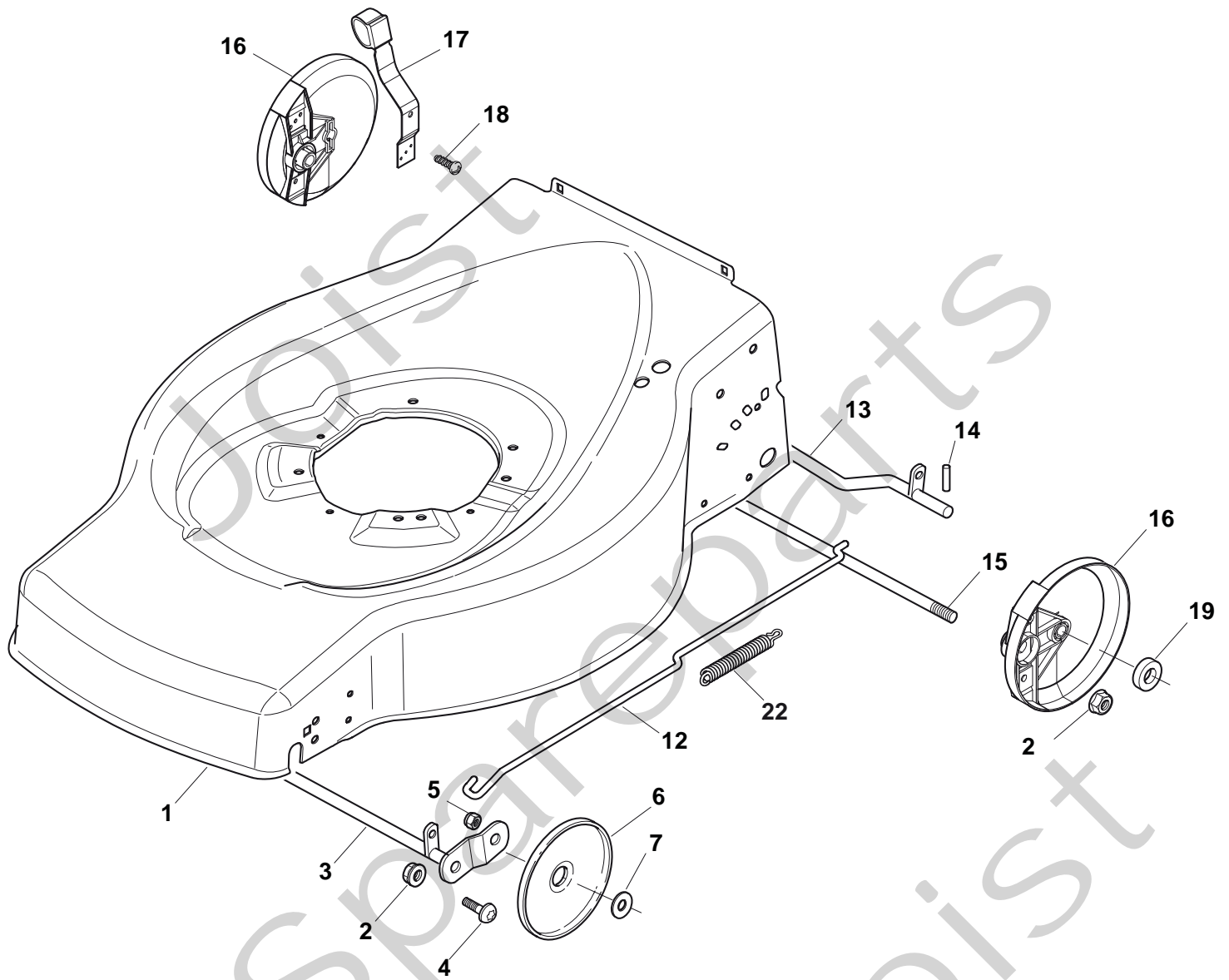
- Use GLOBAL GARDEN PRODUCT Genuine Spare Parts specified in the parts list for repair and/or replacement.
- The contents described in the parts list may change due to improvement.
- The drawings of the spare parts are only indicative and might not represent the part in question exactly.
- The indications "right" - "left" - "front" - "rear" refer to the position of the operator when using the machine.
- When placing orders of parts for repair and/or replacement, make sure that the illustrated parts list is the one applying to the machine's year of manufacture, as shown on the identification plate attached to the machine.

COPYRIGHT by GLOBAL GARDEN PRODUCTS

All rights reserved. No part of this material may be reproduced or transmitted, in any form or by any means, electronic or mechanical, including photocopying, recording or by any information storage and retrieval system, without permission in writing from GLOBAL GARDEN PRODUCTS.



COLLECTOR 46 S B

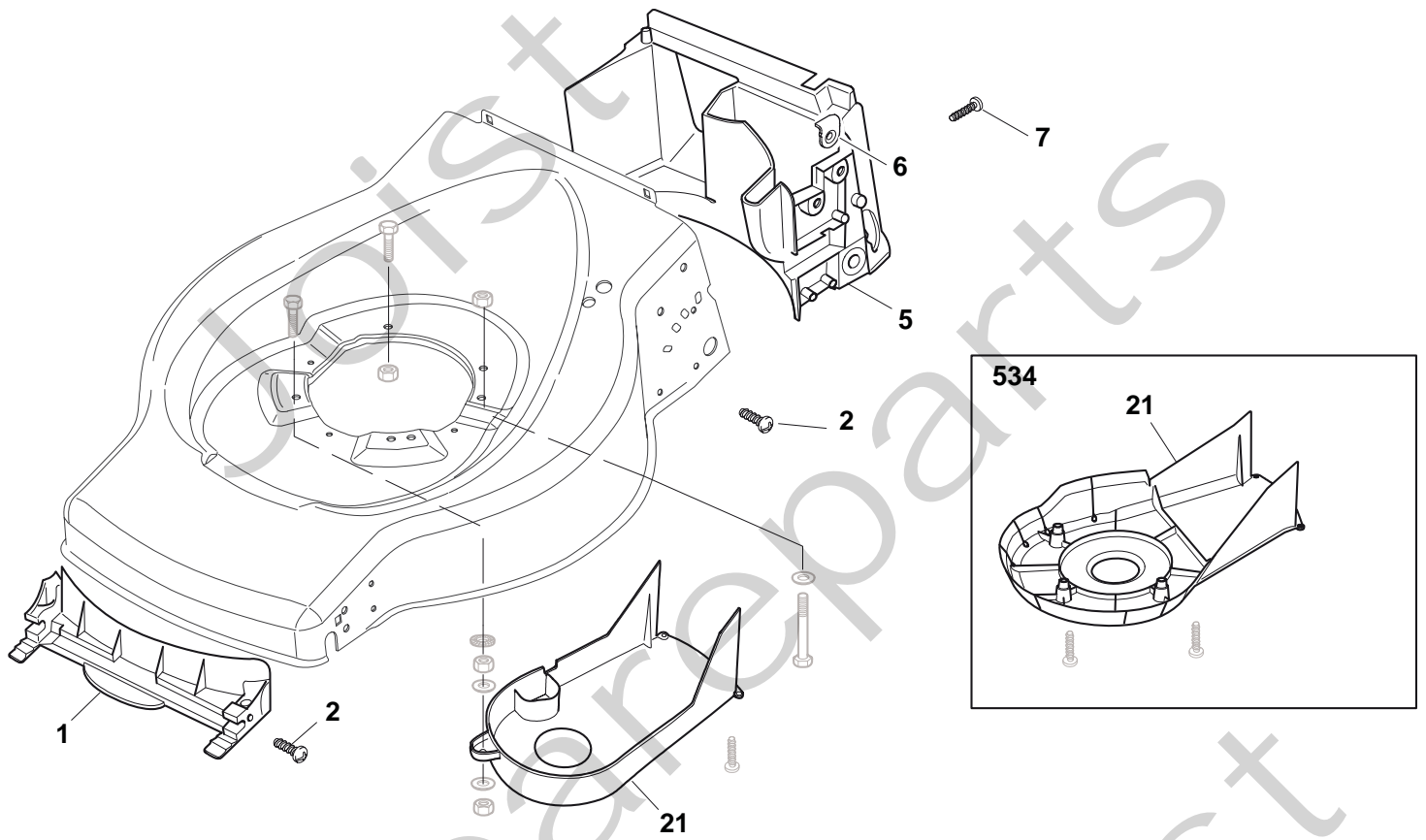




COLLECTOR 46 S B

Pos. Fig.	Antal Quantity	Art No Part No	Benämning	Description	Anmärkning Notes
1	1	81002538/0	Chassi-röd	Deck Red	
2	2	12155000/0	Mutter	Nut	
3	1	81000153/0	Hjulaxel-fram	Axle, Front Wheels	
4	2	12760600/0	Skruv	Screw	
5	2	22131750/0	Mutter	Nut	
6	2	22600095/0	Hjulskydd	Protection, Wheel	
7	2	22671651/0	Bricka	Washer	
12	1	22033317/0	Justerstång	Adjustment Rod	
13	2	81000159/0	Hjulaxel-bakre	Axle, Rear Wheels	
14	2	22753001/0	Stift	Pin	
15	2	22033364/0	Hjulaxel-bakre	Axle, Rear Wheels	
16	2	22600106/1	Hjulskydd	Protection, Wheel	
17	1	81003303/0	Höjdställningsspak	Lever, Height Adjustment	
18	2	12728689/0	Skruv	Screw	
19	4	22122202/0	Distans	Spacer	

COLLECTOR 46 S B

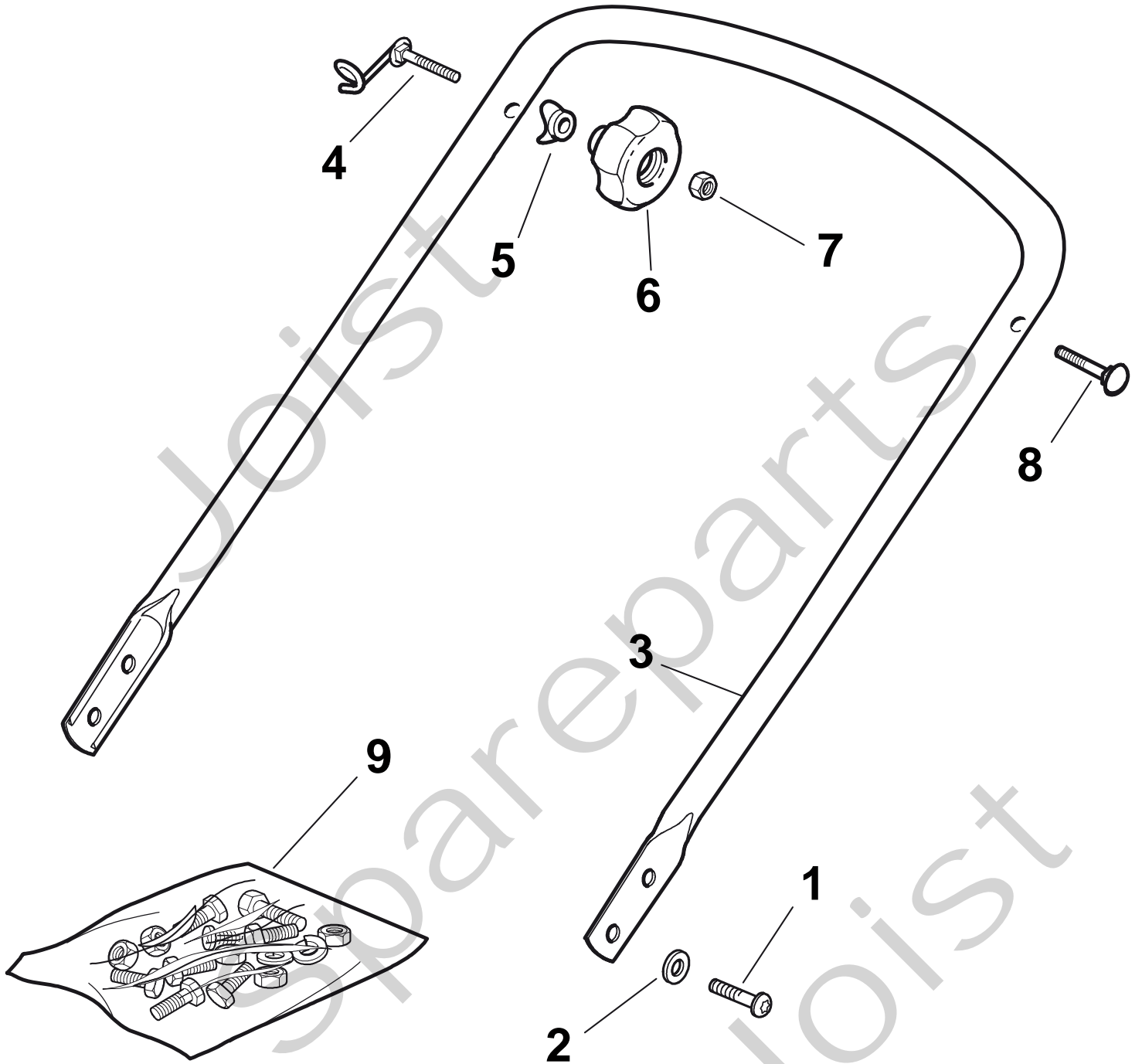




COLLECTOR 46 S B

Pos. Fig.	Antal Quantity	Art No Part No	Benämning	Description	Anmärkning Notes
1	1	22108271/0	Ledplåt-främre	Front Conveyor Assy	
2	6	12728686/0	Skruv	Screw	
5	1	22108272/2	Ledplåt-främre	Rear Conveyor Assy	
6	4	322545189/0	Plåt	Plate	
7	2	12728686/0	Skruv	Screw	
21	1	22060212/0	Skydd-va	Protection, Belt	

COLLECTOR 46 S B

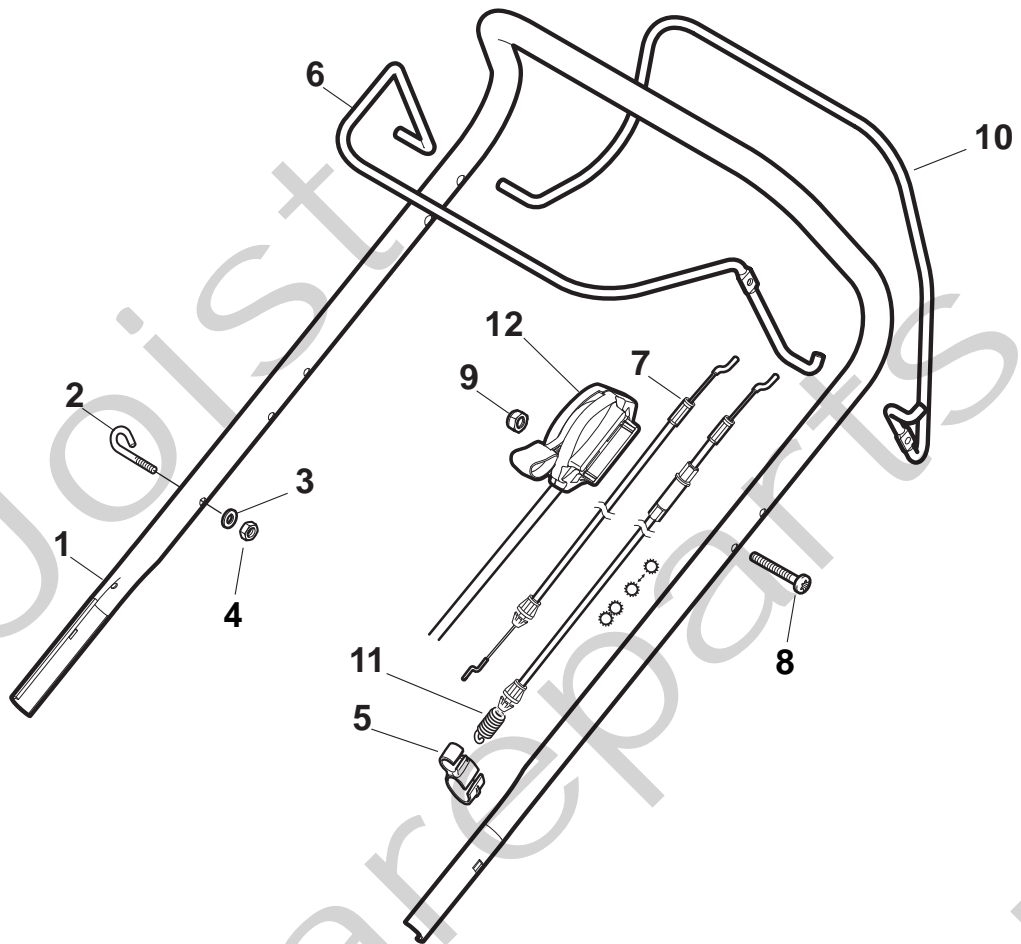




COLLECTOR 46 S B

Pos. Fig.	Antal Quantity	Art No Part No	Benämning	Description	Anmärkning Notes
1	4	12760605/0	Skruv	Screw	
2	4	12521350/0	Bricka	Washer	
3	1	81006570/0	Styre-underdel	Handle, Lower Part	
4	1	81003801/1	Fjäder	Guide Spring	
5	2	22680006/1	Bricka	Washer	
6	2	322399804/1	Knopp	Knob	
7	2	12293200/0	Mutter	Nut	
8	1	12819201/0	Skruv	Screw	
9	1	81008648/1	Skruvsats	Outfit, Screws	

COLLECTOR 46 S B

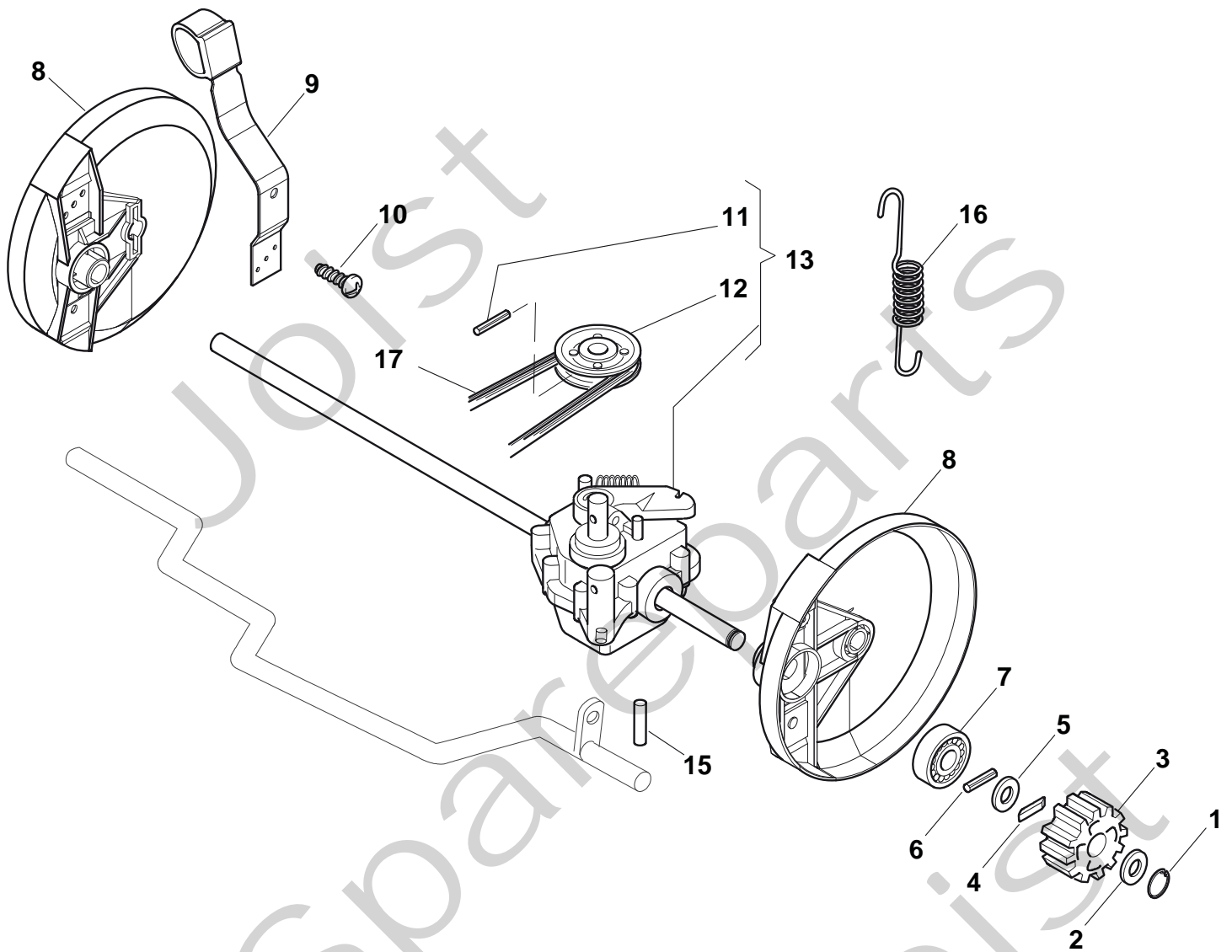




COLLECTOR 46 S B

Pos. Fig.	Antal Quantity	Art No Part No	Benämning	Description	Anmärkning Notes
1	1	381006739/0	Styre-överdel	Handle, Upper Part	
1	1	381006745/0	Styre-överdel	Handle, Upper Part with sponge handgrip	
2	1	22430313/0	Fjäder	Guide Spring	
3	1	12521330/0	Bricka	Washer	
4	1	12154510/0	Mutter	Nut	
5	1	118390020/0	Kabelhållare	Fairlead	
6	1	181003363/1	Reglagebygel	Lever, Engine Brake	Black
7	1	181030053/0	Motorbromswire	Cable, Thread Eng. Brake	
8	1	12727783/0	Skruv	Screw	
9	1	12154510/0	Mutter	Nut	
10	1	181003364/0	Reglagebygel-drivning	Lever, Driving	Black
11	1	381030051/0	Kopplingswire	Cable, Rear Drive	
12	1	22551640/0	Plåt	Plate	

COLLECTOR 46 S B

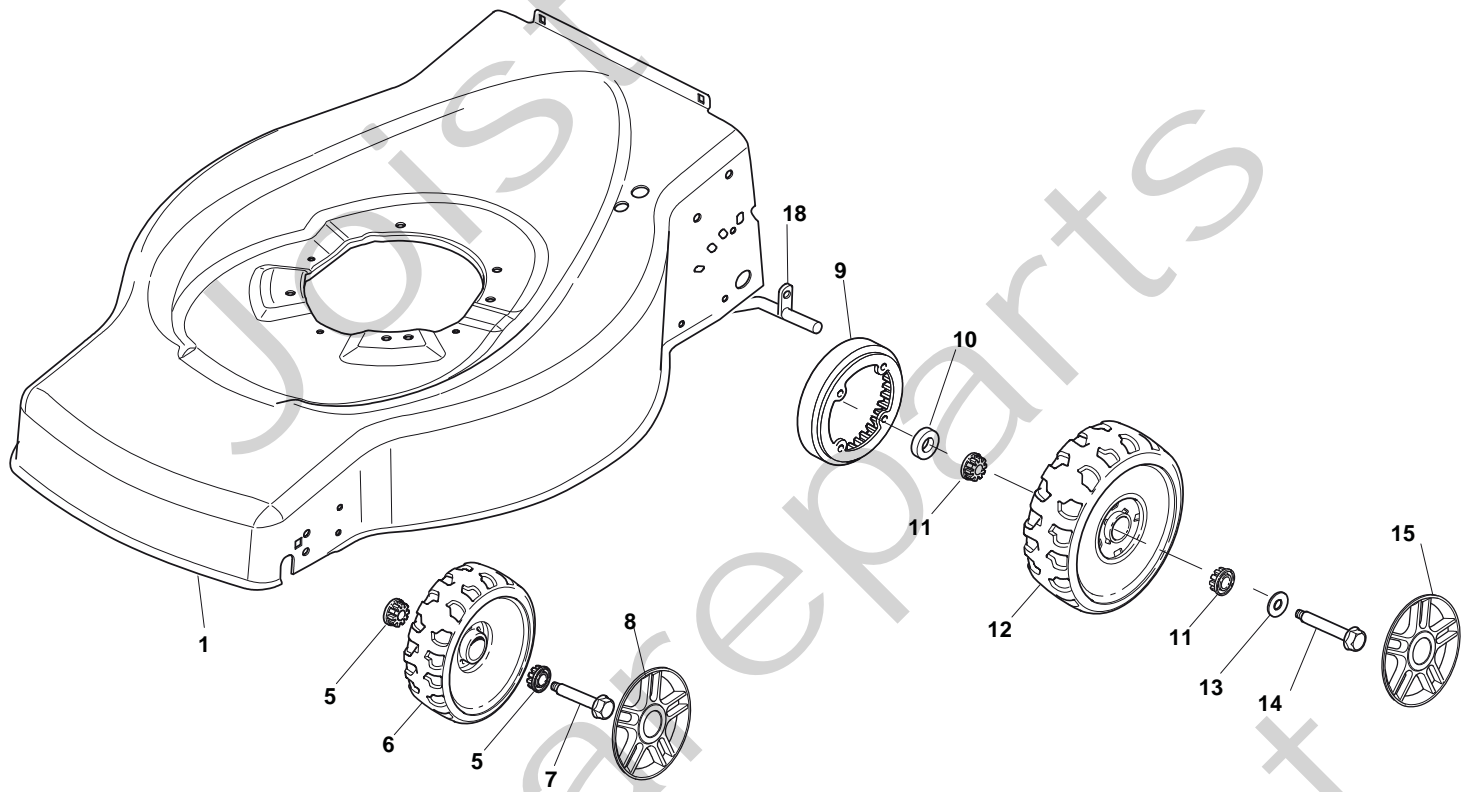




COLLECTOR 46 S B

Pos. Fig.	Antal Quantity	Art No Part No	Benämning	Description	Anmärkning Notes
1	2	12608520/0	Låsbricka	Seeger	
2	2	22160520/0	Dammskydd	Dust Cover	
3	2	22570125/0	Drev	Pinion	
4	2	22076645/0	Chassi-röd	Key	
5	2	22160520/0	Dammskydd	Dust Cover	
6	2	12622620/0	Stift	Pin	
7	2	22122202/0	Distans	Spacer	
8	2	22600106/1	Hjulskydd	Protection, Wheel	
9	1	81003303/0	Höjdinställningsspak	Lever, Height Adjustment	
10	2	12728689/0	Skruv	Screw	
11	1	12713801/0	Skruv	Dowel	
12	1	22601909/0	Remskiva	Pulley	
13	1	181003093/1	Transmission	Gear Box	
15	2	22753001/0	Stift	Pin	
16	1	22450438/0	Fjäder	Spring	
17	1	35063750/0	Drivrem	Belt	

COLLECTOR 46 S B

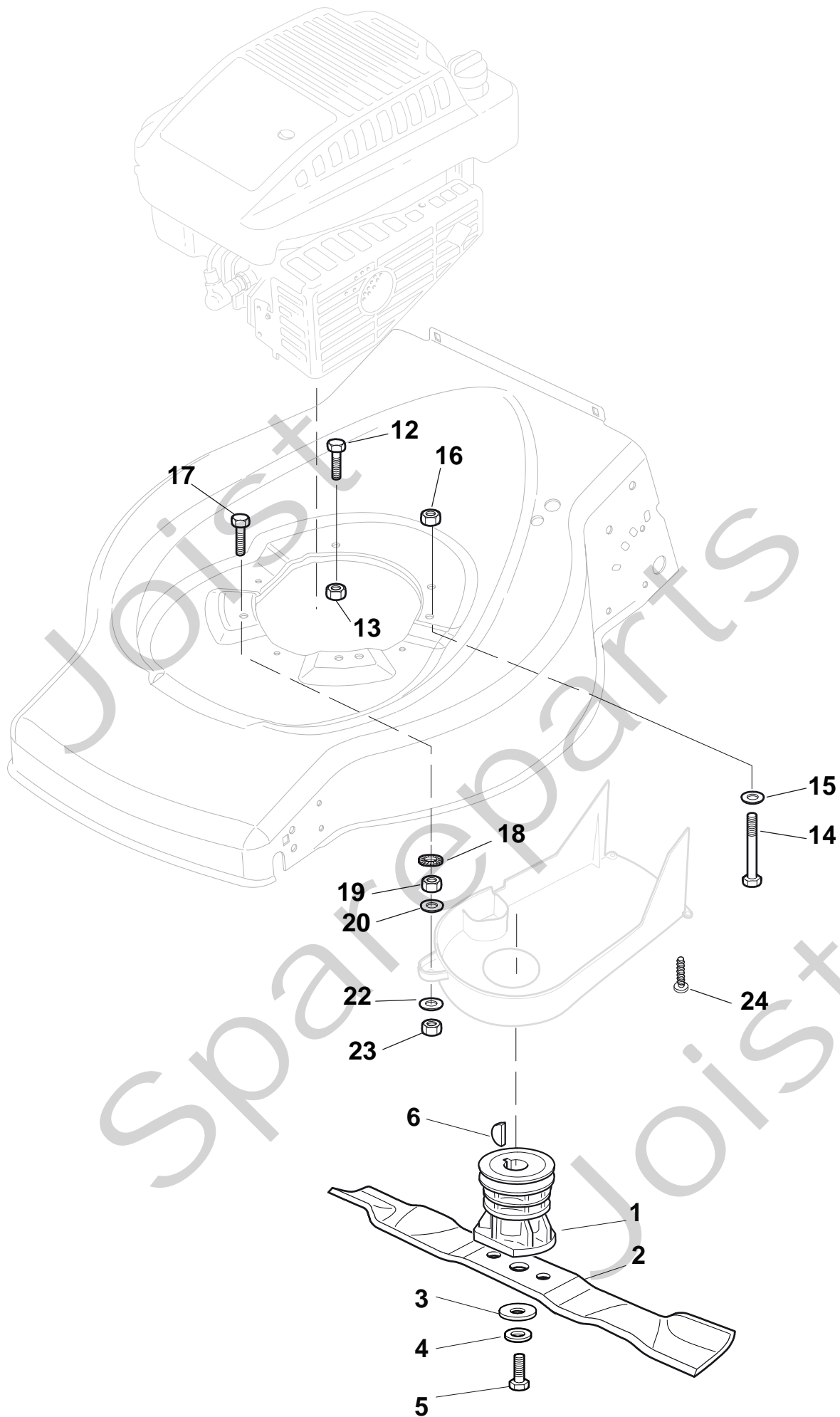




COLLECTOR 46 S B

Pos. Fig.	Antal Quantity	Art No Part No	Description	Benämning	Anmärkning Notes
1	1	81002652/0	Deck Red	Chassi-röd	464
5	4	22034515/1	Bush	Bussning	
6	2	22686091/1	Wheel Ø 165	Hjul Ø 165	
7	2	22524340/0	Pin	Stift	
8	2	22110395/0	Hub Cap Grey	Navkapsel-grå	
9	2	22120109/0	Ring Gear	Ringdrev	
10	2	22170622/0	Spacer	Distans	
11	4	22034508/0	Bush	Bussning	
12	2	22686093/0	Wheel Ø 190	Hjul Ø 190	
13	2	12523050/0	Washer	Bricka	
14	2	12735599/0	Screw	Skruv	
15	2	22110314/0	Hub Cap	Navkapsel	
16	4	22122200/0	Bearing	Kullager	
17	2	22675100/0	Washer	Bricka	
18	1	22033393/0	Axle, Rear Wheels	Hjulaxel-bakre	

COLLECTOR 46 S B

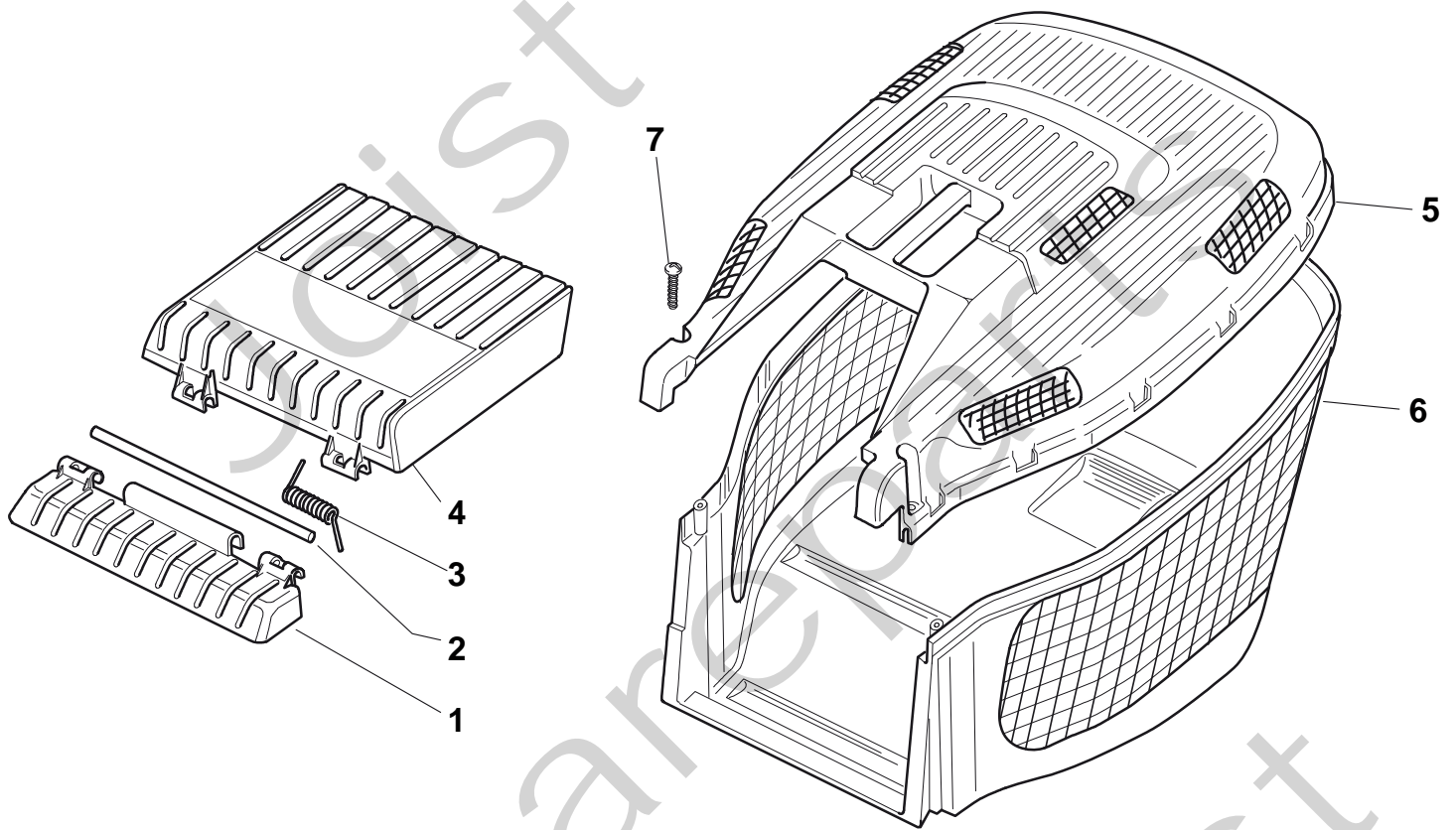




COLLECTOR 46 S B

Pos. Fig.	Antal Quantity	Art No Part No	Benämning	Description	Anmärkning Notes
1	1	122465607/3	Fläkt Ø 22.2	Hub With Pulley, Crankshaft Ø 22.2	
2	1	81004365/3	Kniv	Blade	
3	1	22160400/0	Dammskydd	Dust Cover	
4	1	12523080/0	Bricka	Washer	
5	1	12735698/0	Skruv	Screw	
6	1	12139100/0	Kil	Feather, Crankshaft Ø 22.2	
12	2	12793701/0	Skruv	Screw	
13	2	12293201/0	Mutter	Nut	
14	1	12691800/0	Skruv	Screw	
15	1	12521350/0	Bricka	Washer	
16	1	12155000/0	Mutter	Nut	
17	1	12775000/0	Skruv	Screw	
18	1	12540060/0	Bricka	Washer	
19	1	12293200/0	Mutter	Nut	
20	1	22671651/0	Bricka	Washer	
22	1	25670011/0	Bricka	Washer	
23	1	12155000/0	Mutter	Nut	
24	2	12728686/0	Skruv	Screw	

COLLECTOR 46 S B





COLLECTOR 46 S B

Pos. Fig.	Antal Quantity	Art No Part No	Benämning	Description	Anmärkning Notes
1	1	22785136/1	Fäste	Support	
2	1	22517858/0	Stift	Pin	
3	1	22450431/0	Fjäder	Spring	
4	1	322600099/1	Lucka	Stone-Guard	
5	1	22486122/0	Uppsamlare-överdel	Grassbox Upper Part	
6	1	22486128/0	Uppsamlare-underdel	Grassbox Lower Part	
7	2	12728686/0	Skruv	Screw	