

Genuine Spare Parts

www.stiga.com

TURBO 48 PLUS H Model Year 2011

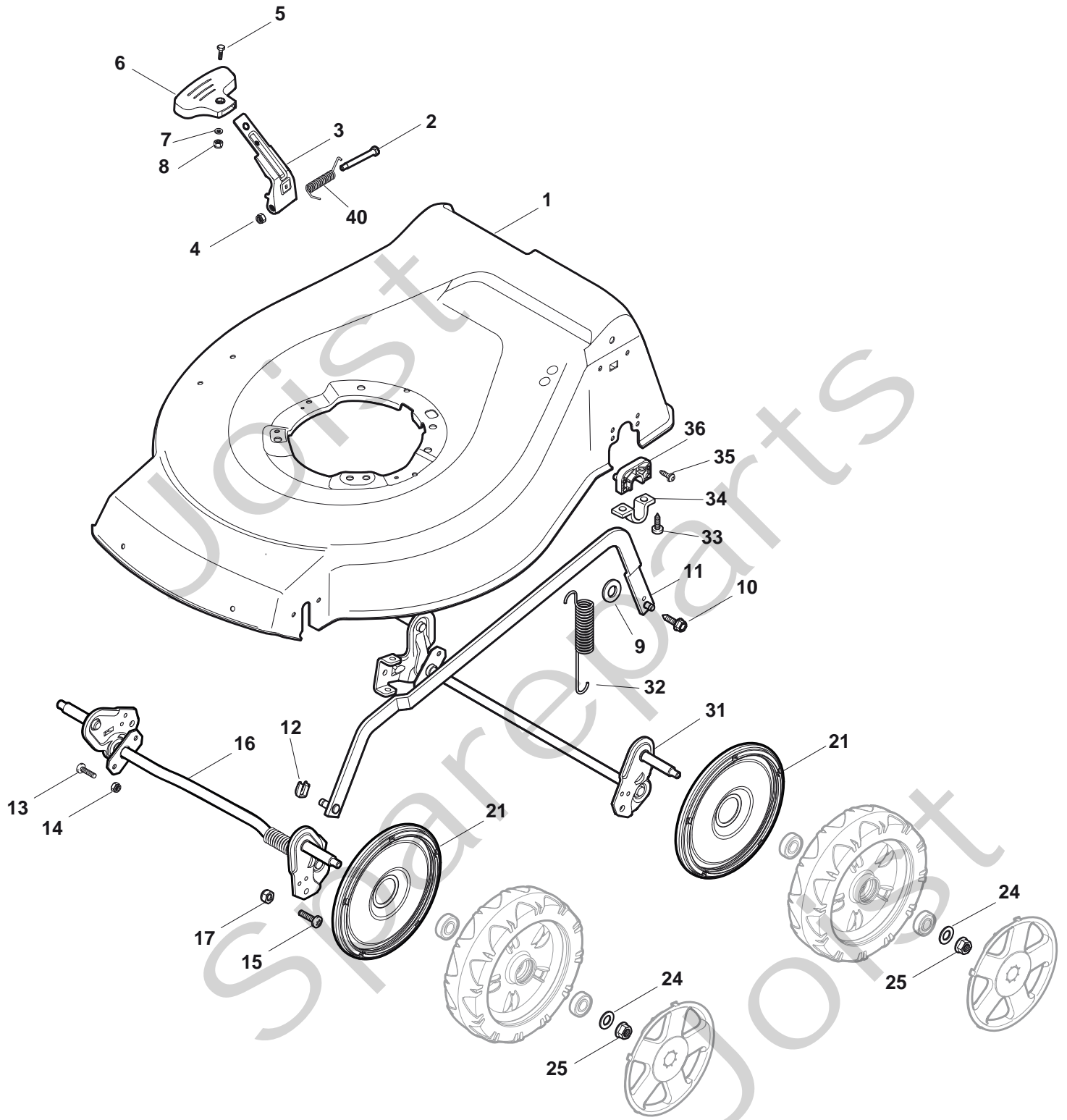
- Use GLOBAL GARDEN PRODUCT Genuine Spare Parts specified in the parts list for repair and/or replacement.
- The contents described in the parts list may change due to improvement.
- The drawings of the spare parts are only indicative and might not represent the part in question exactly.
- The indications "right" - "left" - "front" - "rear" refer to the position of the operator when using the machine.
- When placing orders of parts for repair and/or replacement, make sure that the illustrated parts list is the one applying to the machine's year of manufacture, as shown on the identification plate attached to the machine.

COPYRIGHT by GLOBAL GARDEN PRODUCTS

All rights reserved. No part of this material may be reproduced or transmitted, in any form or by any means, electronic or mechanical, including photocopying, recording or by any information storage and retrieval system, without permission in writing from GLOBAL GARDEN PRODUCTS.



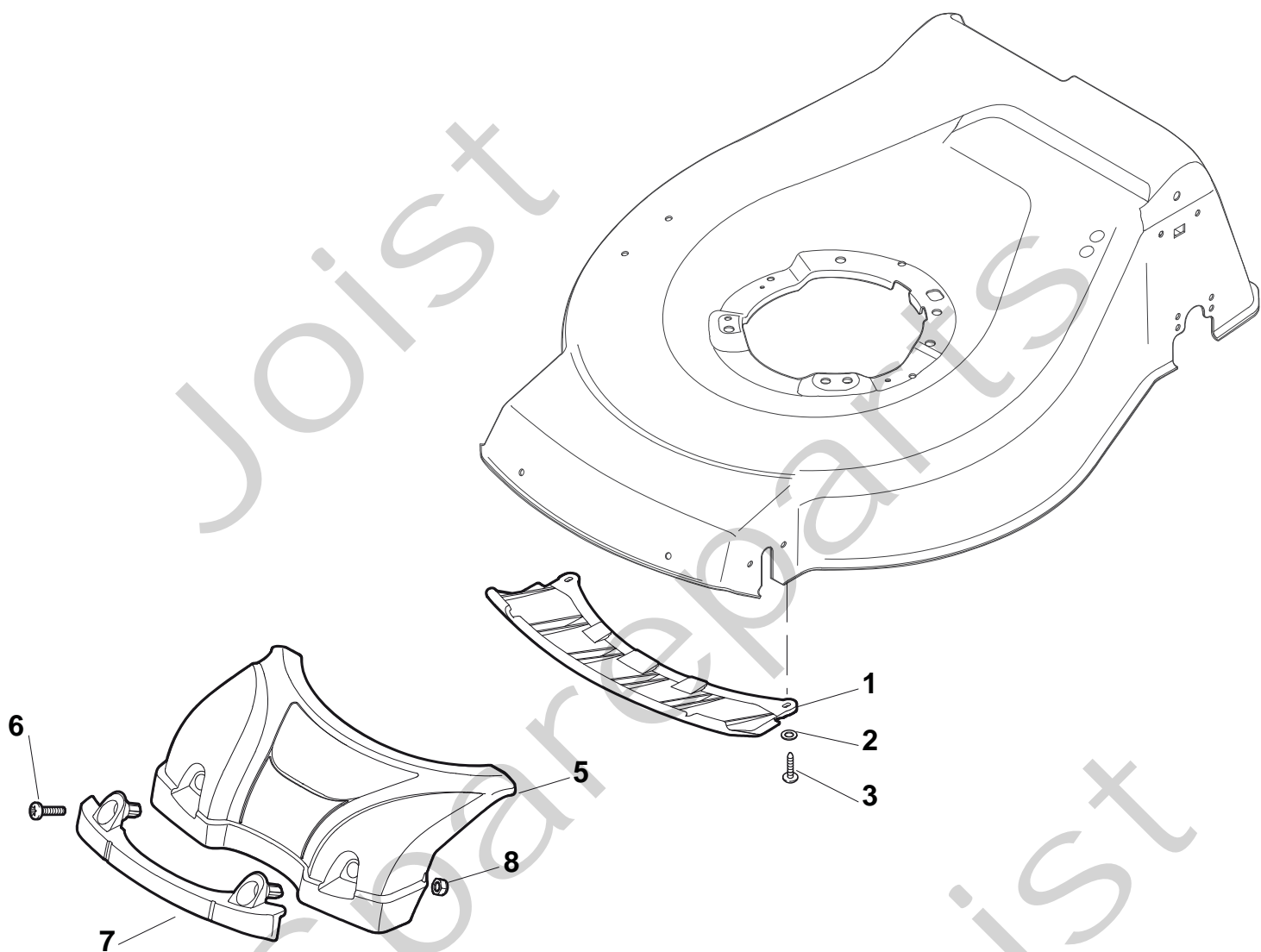
TURBO 48 PLUS H





TURBO 48 PLUS H

| Pos. Fig. | Antal Quantity | Art No Part No | Benämning | Description | Anmärkning Notes |
|-----------|----------------|----------------|----------------------|--------------------------|------------------|
| 1 | 1 | 381003914/0 | Chassi-gul | Deck Yellow | |
| 2 | 1 | 122534131/0 | Remstyrning | Pin | |
| 3 | 1 | 322322851/0 | Höjdinställningsspak | Lever, Height Adjustment | |
| 4 | 1 | 12154510/0 | Mutter | Nut | |
| 5 | 1 | 12788512/0 | Skruv | Screw | |
| 6 | 1 | 322394503/0 | Knopp | Knob | |
| 7 | 1 | 12521310/0 | Bricka | Washer | |
| 8 | 1 | 12150000/0 | Mutter | Nut | |
| 9 | 1 | 12369500/0 | Bricka | Washer | |
| 10 | 1 | 122943013/0 | Skruv | Screw | |
| 11 | 1 | 381002029/0 | Höjdinställn.stång | Rod, Height Adjustment | |
| 12 | 1 | 112436051/0 | Plåt | Plate | |
| 13 | 3 | 112727803/0 | Skruv | Screw | |
| 14 | 3 | 12154510/0 | Mutter | Nut | |
| 15 | 1 | 112727801/0 | Skruv | Screw | |
| 16 | 1 | 381002883/1 | Hjulaxel-fram | Axle, Front Wheels | |
| 17 | 1 | 12154510/0 | Mutter | Nut | |
| 21 | 4 | 322600145/0 | Hjulskydd | Protection, Wheel | |
| 24 | 4 | 12521350/0 | Bricka | Washer | |
| 25 | 4 | 12155000/0 | Mutter | Nut | |
| 31 | 1 | 381002823/0 | Hjulaxel-bakre | Axle, Rear Wheels | |
| 32 | 4 | 112727801/0 | Skruv | Screw | |
| 33 | 4 | 12154510/0 | Mutter | Nut | |
| 40 | 1 | 122446192/0 | Fjäder | Spring | |

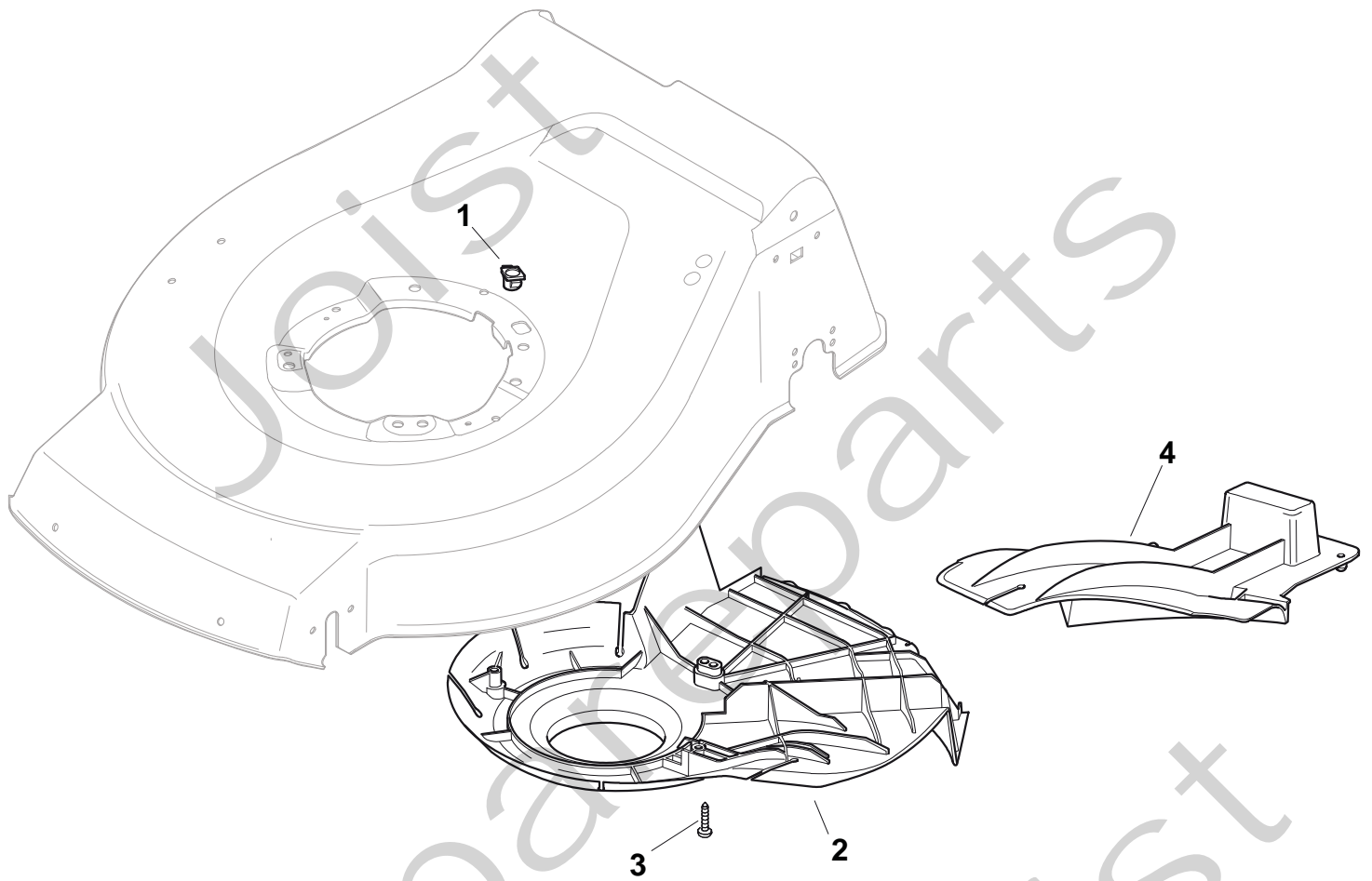




TURBO 48 PLUS H

| Pos. Fig. | Antal Quantity | Art No Part No | Benämning | Description | Anmärkning Notes |
|-----------|----------------|----------------|------------------|------------------|------------------|
| 1 | 1 | 322500102/0 | Air Intake Grill | Air Intake Grill | |
| 2 | 2 | 112523000/1 | Bricka | Washer | |
| 3 | 2 | 12728124/0 | Skruv | Screw | |
| 5 | 1 | 322226153/0 | Frontkåpa-svart | Mask, Black | |
| 6 | 2 | 112727799/0 | Skruv | Screw | |
| 7 | 1 | 322393639/0 | Handtag, grå | Handle, Grey | |
| 8 | 2 | 12154510/0 | Mutter | Nut | |

TURBO 48 PLUS H

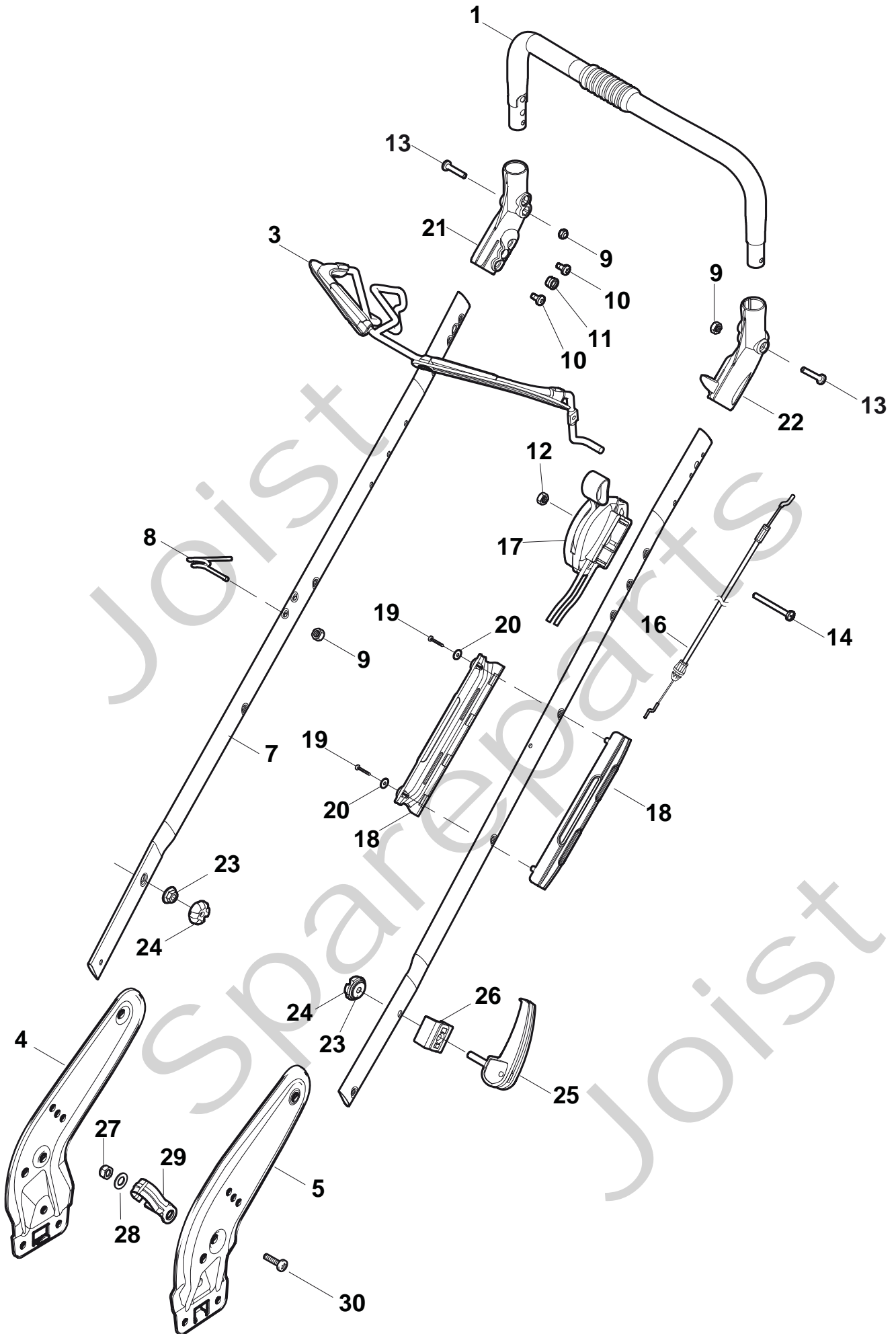




TURBO 48 PLUS H

| Pos. Fig. | Antal Quantity | Art No Part No | Benämning | Description | Anmärkning Notes |
|-----------|----------------|----------------|-----------|---------------|------------------|
| 1 | 1 | 22291150/0 | Handtag | Rubber Insert | |
| 2 | 1 | 22060198/0 | Remskydd | Protection | |
| 3 | 3 | 12728530/0 | Skruv | Screw | |
| 4 | 1 | 22140223/0 | Deflektor | Deflector | |

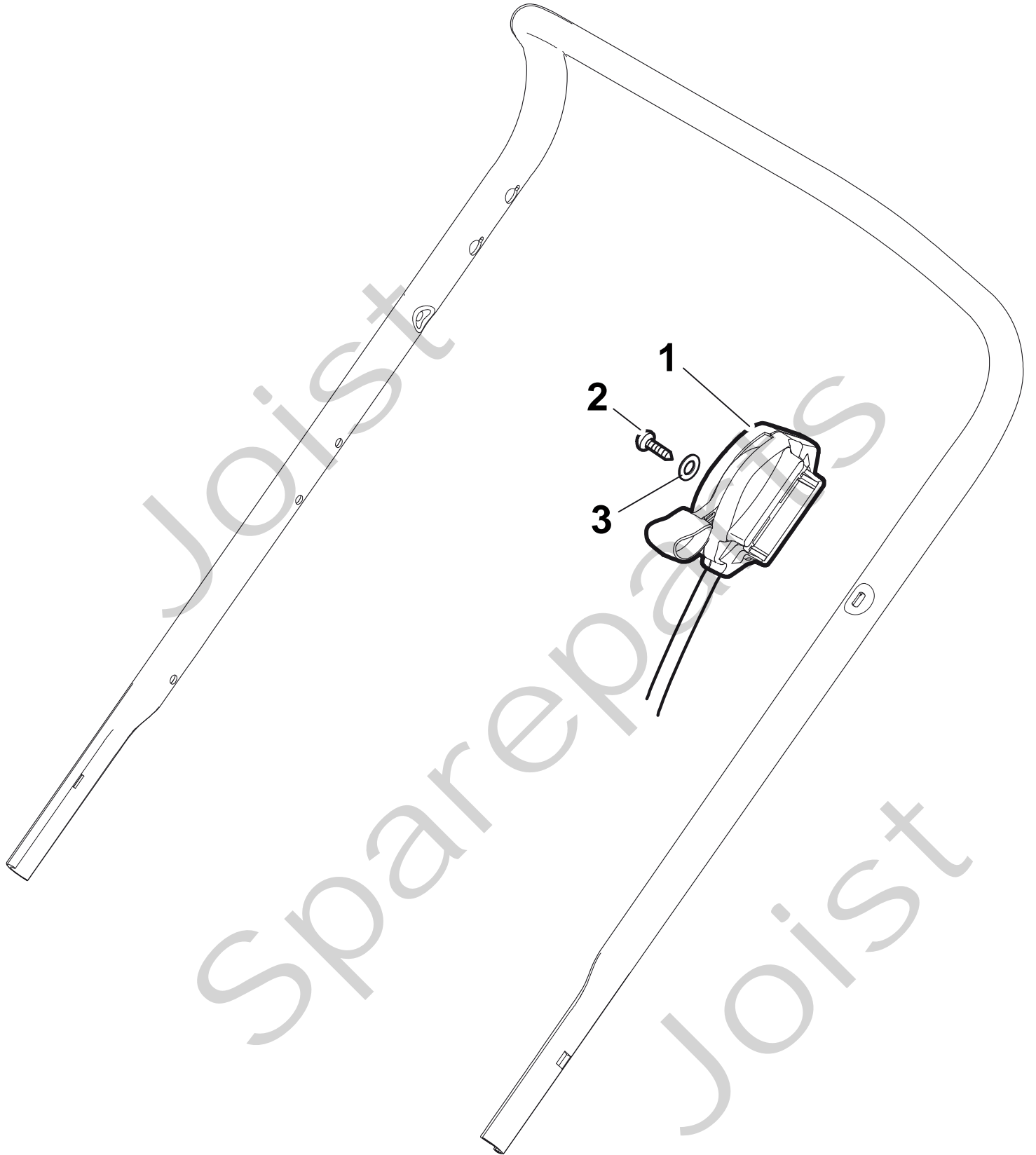
TURBO 48 PLUS H





TURBO 48 PLUS H

| Pos. Fig. | Antal Quantity | Art No Part No | Benämning | Description | Anmärkning Notes |
|-----------|----------------|----------------|----------------|--------------------------|------------------|
| 1 | 1 | 381006670/2 | Handtag | Handgrip | |
| 3 | 1 | 381003344/0 | Reglagebygel | Lever, Engine Brake | |
| 4 | 1 | 381005149/0 | Fäste-hö | Bracket, R | |
| 5 | 1 | 381005151/0 | Fäste-vä | Bracket, L | |
| 7 | 1 | 381006773/0 | Styre | Handle Black | |
| 8 | 1 | 22430309/0 | Fjäder | Guide Spring | |
| 9 | 2 | 12154330/0 | Mutter | Nut | |
| 10 | 4 | 112735662/1 | Skruv | Screw | |
| 11 | 2 | 322041967/0 | Bussning | Bush | |
| 12 | 3 | 12154510/0 | Mutter | Nut | |
| 13 | 2 | 112728721/0 | Skruv | Screw | |
| 14 | 1 | 12727786/0 | Skruv | Screw | |
| 15 | 1 | 181030073/0 | Motorbromswire | Cable, Thread Eng. Brake | |
| 18 | 1 | 322806644/0 | Skydd | Protection | |
| 19 | 2 | 12727812/0 | Skruv | Screw | |
| 20 | 2 | 112523000/1 | Bricka | Washer | |
| 21 | 1 | 322488301/0 | Stöd-hö | Support, R | |
| 22 | 1 | 322488303/0 | Stöd-vä | Support, L | |
| 23 | 2 | 112154220/0 | Mutter | Nut | |
| 24 | 2 | 322399835/0 | Knopp | Knob | |
| 25 | 2 | 381003253/0 | Handtag | Handle | |
| 26 | 2 | 322680017/0 | Fäste | Support | |
| 27 | 1 | 12155000/0 | Mutter | Nut | |
| 28 | 1 | 25038002/1 | Bussning | Bush | |
| 29 | 1 | 322192156/0 | Kabelhållare | Fair Led | |
| 30 | 1 | 12760605/0 | Skruv | Screw | |

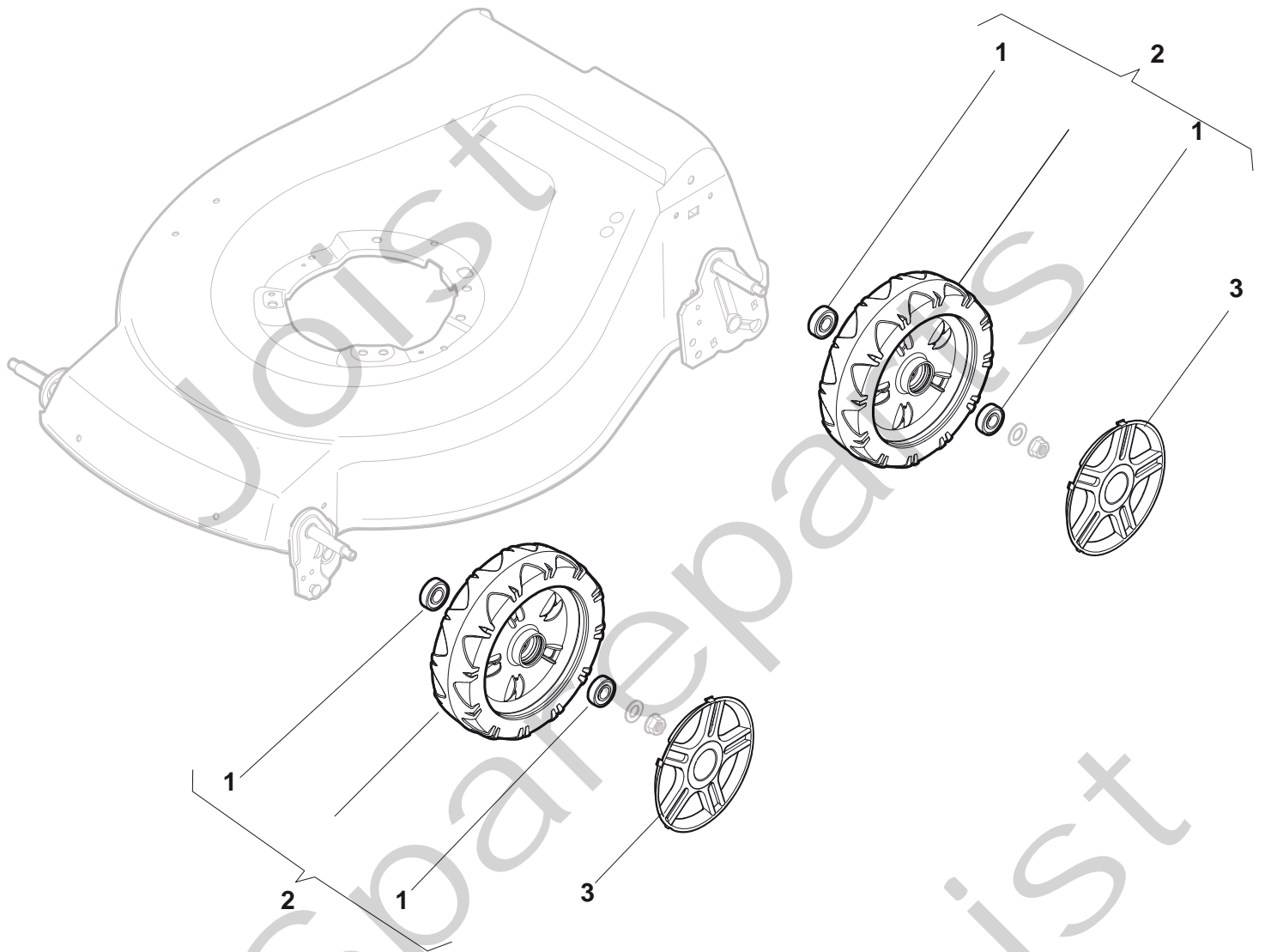




TURBO 48 PLUS H

| Pos. Fig. | Antal Quantity | Art No Part No | Benämning | Description | Anmärkning Notes |
|-----------|----------------|----------------|-----------|----------------|------------------|
| 1 | 1 | 181005501/1 | Kniv | Throttle Cable | |
| 2 | 1 | 12735103/0 | Skruv | Screw | |
| 3 | 1 | 12523040/0 | Bricka | Washer | |

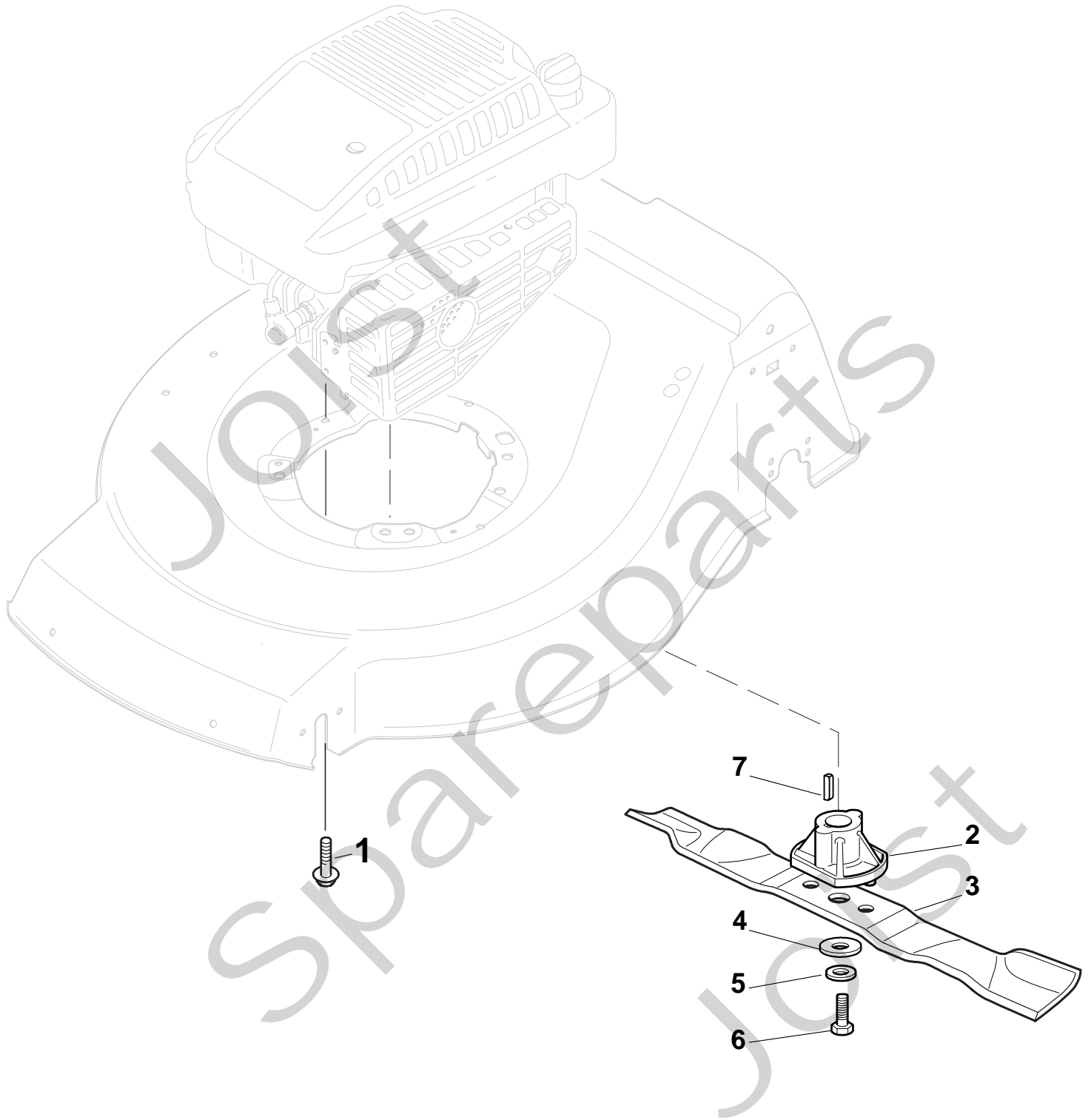
TURBO 48 PLUS H





TURBO 48 PLUS H

| Pos. Fig. | Antal Quantity | Art No Part No | Benämning | Description | Anmärkning Notes |
|-----------|----------------|----------------|---------------|--------------|------------------|
| 1 | 8 | 19216035/0 | Låsring | Bearing | |
| 2 | 4 | 381007416/1 | Hjul Ø 200 | Ruota Ø 200 | |
| 3 | 4 | 22110492/0 | Navkapsel-grå | Hub Cap Grey | |

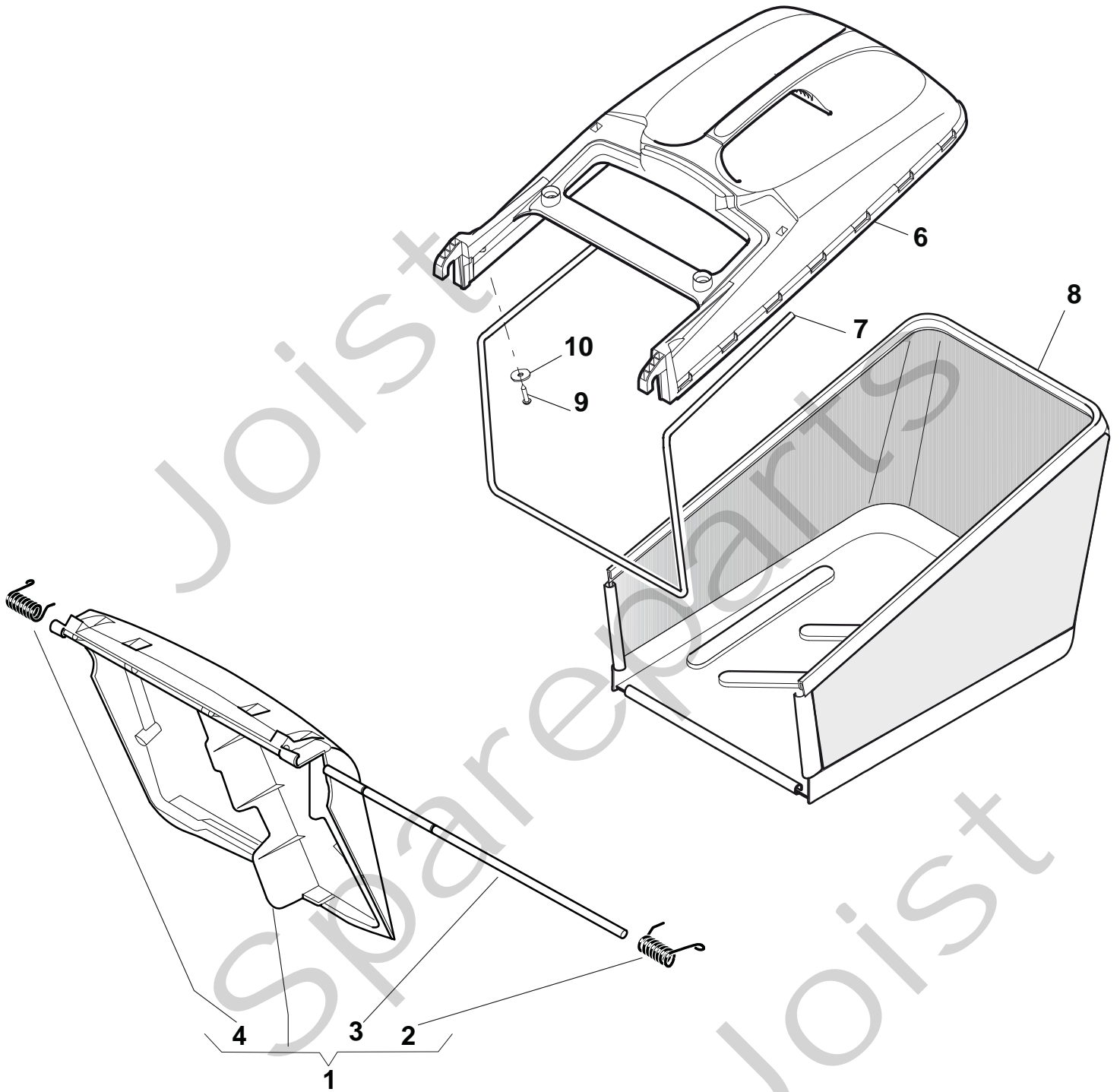




TURBO 48 PLUS H

| Pos. Fig. | Antal Quantity | Art No Part No | Benämning | Description | Anmärkning Notes |
|-----------|----------------|----------------|-----------|--------------------------|------------------|
| 1 | 3 | 112735108/1 | Skruv | Screw | |
| 2 | 1 | 122463020/1 | Fjäder | Hub, Crankshaft Ø 25 | |
| 3 | 1 | 181004458/0 | Kniv | Blade Standard | |
| 4 | 1 | 22160400/0 | Dammskydd | Dust Cover | |
| 5 | 1 | 12523080/0 | Bricka | Washer | |
| 6 | 1 | 12735698/0 | Skruv | Screw | |
| 7 | 1 | 12139150/0 | Kil | Feather, Crankshaft Ø 25 | |

TURBO 48 PLUS H





TURBO 48 PLUS H

| Pos. Fig. | Antal Quantity | Art No Part No | Benämning | Description | Anmärkning Notes |
|-----------|----------------|----------------|--------------------|------------------|------------------|
| 1 | 1 | 381008081/1 | Lucka | Stone-Guard | |
| 2 | 1 | 122450466/0 | Fjäder | L Spring | |
| 3 | 1 | 122517882/0 | Stift | Pin | |
| 4 | 1 | 122450465/0 | Fjäder | R Spring | |
| 6 | 1 | 22486101/0 | Uppsamlare-överdel | Grass-Box, Upper | |
| 7 | 1 | 22608525/0 | Trådbygel | Stiffening Lower | |
| 8 | 1 | 81002211/0 | Uppsamlingsäck | Box, Fabric | |
| 9 | 2 | 12728680/0 | Skruv | Screw | |
| 10 | 2 | 12523050/0 | Bricka | Washer (Hydro) | |